

3370

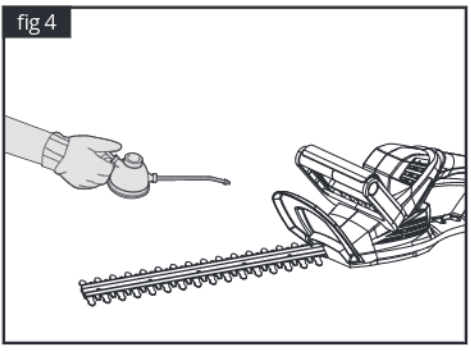
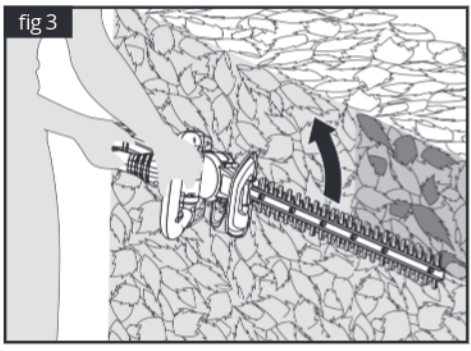
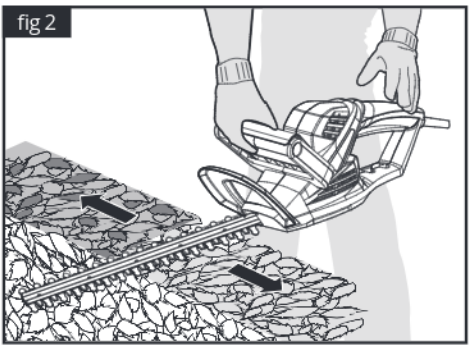
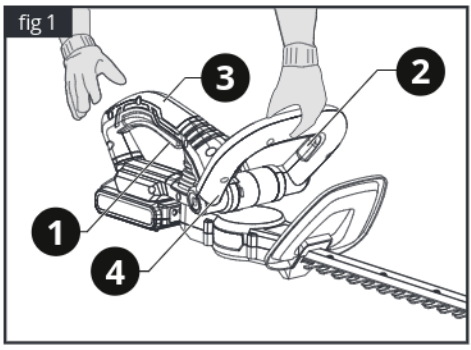
EDGE TRIMMER

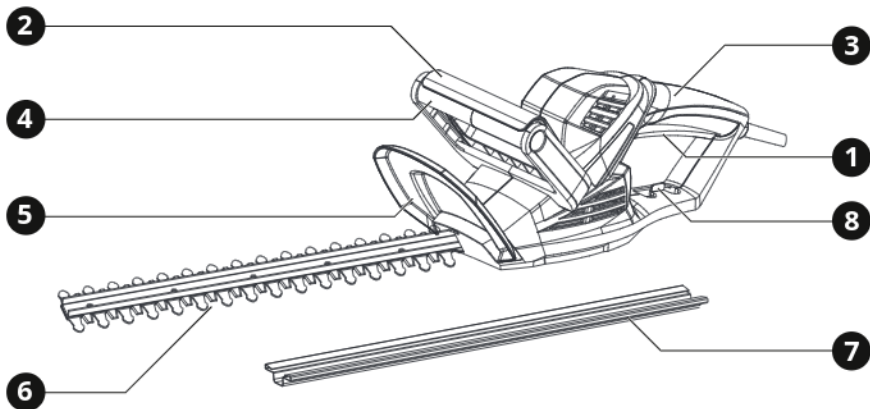
ΚΛΑΔΕΥΤΗΡΙ ΜΠΟΡΝΤΟΥΡΑΣ



Operation manual
Εγχειρίδιο χρήσης

EN | GR





1. Overview

Tool description

- | | |
|-----------------------|----------------|
| 1 ON / OFF switch | 5 Safety guard |
| 2 Front safety switch | 6 Blades |
| 3 Rear handle | 7 Blades cover |
| 4 Front handle | 8 Cable holder |

Warning labels on the machine



Read owner's manual before operating this machine.



Wear head, eye and ear protection.



Always wear approved protective gloves.



Use anti-slip and stable boots.



Wear dust mask.



Do not expose to rain.



Remove plug from the mains immediately if cable is damaged or cut.



Class II tools symbol.

⚠ IMPORTANT:

If warning seals peel off or become soiled and impossible to read, you should contact the dealer from which you purchased the product to order new seals and affix the new seal(s) in the required location(s).

⚠ WARNING:

Never remodel the tool.

We won't warrant the machine, if you use the remodeled tool or you don't comply with the proper usage written in the manual.

2. Safety regulations

Before using the machine

⚠ WARNING:

Read carefully and understand all instructions before using the tool.

The following instructions must be followed to prevent hazards and/or serious injury.

- ▶ You should never use the tool when under the influence of alcohol, when suffering from exhaustion or lack of sleep, when suffering from drowsiness as a result of having taken medicine, or at any other time when a possibility exists that your judgment might be impaired or that you might not be able to operate the machine properly and in a safe manner.
- ▶ Never use the product under circumstances like those described below:
 1. When the ground is slippery or when other conditions might make it impossible to maintain a steady posture.
 2. At night, at times of heavy fog, or at any other times when your field of vision might be limited and it would be difficult to gain a clear view of the area.
 3. During rain storms, during lightning storms, at times of strong or gale-force winds, or at any other times when weather conditions might make it unsafe to use this tool.
- ▶ When using this tool for the first time, before beginning actual work, learn to handle it from a skilled worker.
- ▶ Lack of sleep, tiredness, or physical exhaustion results in lower attention spans, and this in turn leads to accidents and injury. Limit the amount of time of using the machine continuously to somewhere around 10 minutes per session, and take 10-20 minutes of rest between work sessions. Also try to keep the total amount of work performed in a single day under 2 hours or less.
- ▶ Be sure to keep this manual handy so that you may refer to it later whenever any questions arise.

- ▶ Always be sure to include this manual when selling, lending or otherwise transferring the ownership of the tool.
- ▶ Never allow children or anyone unable to fully understand the directions given in this manual to use this tool. Keep work area clean and well lit. Cluttered or dark areas invite accidents.
- ▶ Do not operate power tools in explosive atmospheres, such as in the presence of flammable liquids, gases or dust. Power tools create sparks which may ignite the dust or fumes.
- ▶ Do not expose power tools to rain or wet conditions. Water entering a power tool will increase the risk of electric shock.
- ▶ Prevent unintentional starting. Ensure the switch is in the off-position before connecting to power source and/or battery pack, picking up or carrying the tool. Carrying power tools with your finger on the switch or energising power tools that have the switch on invites accidents.
- ▶ Do not overreach. Keep proper footing and balance at all times. This enables better control of the power tool in unexpected situations.
- ▶ Do not force the power tool. Use the correct power tool for your application. The correct power tool will do the job better and safer at the rate for which it was designed.
- ▶ Do not use the power tool if the switch does not turn it on and off. Any power tool that cannot be controlled with the switch is dangerous and must be repaired.
- ▶ Disconnect the battery pack from the power tool before making any adjustments, changing accessories, or storing power tools. Such preventive safety measures reduce the risk of starting the power tool accidentally.
- ▶ Use the power tool, accessories and tool bits etc., in accordance with these instructions and in the manner intended for the particular type of power tool, taking into account the working conditions and the work to be performed. Use of the power tool for operations different from those intended could result in a hazardous situation.

Working gear and clothing

- ▶ When using the tool, you should wear proper clothing and protective equipment as follows: 1. Helmet, 2. Protection goggles or face protector, 3. Thick work gloves, 4. Non-slip-sole work boots, 5. Ear protectors.
- ▶ And you should carry with you: 1. Attached tools and files, 2. Properly reserved fuel, 3. Spare blade, 4. Things to notify your working area (rope, warning signs), 5. Whistle (for collaboration or emergency), 5. Hatchet or saw (for removal of obstacles).
- ▶ Never use the tool when wearing pants with loose cuffs, when wearing sandals, or when barefoot.

Before starting engine

- ▶ Before beginning work, look around carefully to get a feel for the surroundings. If there is any obstacle which might get in the way while working, remove it.
- ▶ The area within a perimeter of 15m of the tool operator should be considered a hazardous area into which no one should enter while the tool is in use. When necessary yellow warning rope and warning signs should be placed around the work area. When work is to be performed simultaneously by two or more persons, always check the presence and locations of others so as to ensure safety by maintaining a sufficiently safe distance.
- ▶ Make sure that the machine has been fully and properly assembled and that there are no loose screws or bolts, rupture dents or any other problems, which might interfere with safe operation. Be especially careful to check that there is nothing wrong with the blades or with the joints by which the blades are attached to the machine. Also, check in particular that the chain rail or hedge trimmer head sits tightly and properly. Confirm that the ON/OFF switch works properly.
- ▶ Never use blades that are bent, warped, cracked, broken or damaged in any way.
- ▶ Keep the blades always sharp.
- ▶ Filing the cutting edges, keep the end corner sharp and round the root of the edge.

- ▶ Check the bolt to fasten the blade and be sure the blades move smoothly without abnormal noise.

When starting engine

- ▶ Take a careful look around to make sure that no obstacles exist within a perimeter of 15m around the tool.
- ▶ Place the body of the tool onto the ground in a flat clear area and hold it firmly in place so as to ensure that neither the cutting attachments nor the throttle come into contact with any obstacles when the engine starts up.
- ▶ After starting up the engine, if the cutting attachments continue to move even after the throttle has been moved fully back, turn off the engine and check the throttle and other parts.

Operation

- ▶ Grip the handles of the tool firmly with both hands. If you suspend work, release the finger from the ON / OFF switch.
- ▶ Always be sure to maintain a steady, even posture while working.
- ▶ Maintain the speed of the tool on the required level to perform cutting work and never raise the speed of the tool above the necessary level.
- ▶ If the cutting attachment touches a hard object like a stone, immediately stop the tool and check if something is wrong with the attachment. If so, replace it with a new one.
- ▶ If someone calls out while working, always be sure to turn off the tool before turning around.
- ▶ Never operate the pruner at an angle greater than 60° in order to reduce the risk of being struck by falling objects during operation.
- ▶ Never touch any metallic parts of the tool while the tool is in operation or immediately after shutting down. Doing so may result in serious burns.
- ▶ When you finish cutting in one location and wish to continue work in another spot, turn off the engine and turn the unit so that the

cutting attachments face away from your body.

- ▶ Always shut off the tool before setting the tool down.

Service

- ▶ Have your power tool serviced by a qualified repair person using only genuine replacement parts. This will ensure that the safety of the power tool is maintained.
- ▶ Follow instruction for lubricating and changing accessories.
- ▶ Keep handles dry, clean and free from oil and grease.

3. Specific safety regulations

Hedge trimmer safety warnings

- ▶ Keep all parts of the body away from the cutter blade. Do not remove cut material or hold material to be cut when blades are moving. Make sure the switch is off when clearing jammed material. Blades coast after turn off. A moment of inattention while operating the hedge trimmer may result in serious personal injury.
- ▶ Carry the hedge trimmer by the handle with the cutter blade stopped. When transporting or storing the hedge trimmer always fit the cutting device cover. Proper handling of the hedge trimmer will reduce possible personal injury from the cutter blades.
- ▶ Hold the power tool by insulated gripping surfaces only, because the cutter blade may contact hidden wiring or its own cord. Cutter blades contacting a "live" wire may make exposed metal parts of the power tool "live" and could give the operator an electric shock.
- ▶ Keep hands away from blade. Contact with blade will result in serious personal injury.
- ▶ Use both hands when operating the hedge trimmer. Using one hand could cause loss of control and result in serious personal injury.
- ▶ Only use with handle and guard properly assembled to hedge trimmer. The use of the hedge trimmer without the proper

guard or handle provided may result in serious personal injury.

- ▶ Check the hedge for foreign objects, e.g. wire fences.

Maintenance

- ▶ Perform the maintenance and checking operations described in this manual at regular intervals and . If any parts must be replaced or any maintenance or repair work not described in this manual must be performed, please contact a representative from the nearest authorized servicing dealer for assistance.
- ▶ Under no circumstances should you ever take apart the tool or alter it in any way. Doing so might result in the tool becoming damaged during operation or the tool becoming unable to operate properly.
- ▶ Always be sure to turn off the engine before performing any maintenance or checking procedures.

⚠ WARNING:

The metallic parts reach high temperatures during operation and immediately after stopping the engine.

- ▶ When sharpening, removing or reattaching the cutting attachments, proper tools and equipment must be used to prevent injury.
- ▶ When replacing the cutting attachments or any other parts any lubricants always be sure to only use products which have been certified for use with the tool.
- ▶ Leave all maintenance other than the items listed in the owner's manual to your competent servicing dealer.
- ▶ Under no circumstances should you take the machinery apart or alter it in any way. Doing so might result in the product becoming damaged during operation or the product becoming unable to operate properly.

Transportation

- ▶ When you finish cutting in one location and wish to continue in another location, turn the tool off, lift the unit up and carry it paying attention to the cutting attachments.

- ▶ When transporting or storing the machine, always fit the cutting device guard or guide bar cover.
- ▶ When hand-carrying the product, cover the cutting part if necessary, lift the product up and then carry, paying attention to the cutting attachment.
- ▶ When transporting by car, fix the unit firmly using a rope. Do not transport by bicycle or motorcycle because it is dangerous.

Residual risks

Even when the tool is used as prescribed it is not possible to eliminate all residual risk factors. The following hazards may arise in connection with the tool's construction and design:

- ▶ Damage to lungs if an effective dust mask is not worn.
- ▶ Damage to hearing if effective hearing protection is not worn.
- ▶ Health defects resulting from vibration emission if the power tool is being used over longer period of time or not adequately managed and properly maintained.
- ▶ This machine produces an electromagnetic field during operation. This field may under some circumstances interfere with active or passive medical implants. To reduce the risk of serious or fatal injury, we recommend persons with medical implants to consult their physician and the medical implant manufacturer before operating this machine.

SAVE THESE INSTRUCTIONS

⚠ WARNING:

Misuse or failure to follow the safety rules stated in this instruction manual may cause serious personal injury.

4. Functional description and specifications

Intended use

This tool has been designed for use in cutting bushes and trimming hedges. It should never be used for any other purpose.

⚠ WARNING:

If the replacement of any part is necessary, this has to be done by a professional in order to avoid a safety hazard.

Tool	3370
Power supply	220 - 240V ~ 50 Hz
Power input	520 W
No-load speed	1700 min ⁻¹
Cutting length	510 mm
Cutting width	16 mm
Noise Level	105 dBa
Weight	2.5 kg

⚠ WARNING:

Do not use the product without attaching the guard and front handle.

Assembly

This hedge trimmer may only be connected to single-phase AC current. Ensure that the mains voltage is the same as the operating voltage indicated on the rating plate.

Connect the power plug to the coupling of an appropriate extension cord. Form a loop, push it through the opening in the rear handle **3** and hook over the cable holder **8**.

Assembling the safety guard

Push the supplied safety guard **5** over the blades **6** and fix securely with screws on both sides.

Operation

i NOTE:

For your safety, this tool is equipped with a doubleswitching system. This system prevents starting the tool in advertently and will only allow operation while holding the tool with both hands.

Switching On

Take hold of the front handle **4** with one hand so that the front handle switch **2** is pushed into the body of the front handle. With the other hand, squeeze the trigger switch **1** to start the tool (fig 1).

Switching Off

Release the handle switch **2** or the trigger switch **1**. Warning! Never attempt to lock a switch in the on position.

Top cutting

Use a wide sweeping motion (fig 2). A slight downward tilt of the cutting blades in the direction of motion gives the best cutting results.

⚠ WARNING:

If any parts are missing, damaged or broken, do not operate your hedge trimmer until all damaged parts have been replaced or repaired. Failure to do so could result in serious personal injury. DO NOT USE WITHOUT FRONT HANDLE AND SAFETY GUARD.

Side cutting

When trimming the sides of the hedge, begin at the bottom and cut upwards (fig 3), tapering the hedge inward at the top. This shape will expose more of the hedge, resulting in a more uniformed growth.

Lubricating the Cutting Blade

It is important to use only the recommended standard lubricating oil to avoid damage to the blade **6**. (fig 4)

How to use your hedge trimmer

Note that the front switch lever **2** can be activated on three sides, giving you many choices for a comfortable grip. Before cutting an area, inspect it first and remove any foreign objects that could become thrown or entangled in the blades. Always hold the trimmer with both hands and with the blade away from you before turning it on.

When trimming new growth, use a wide sweeping action so that the stems are fed directly into the blade. (fig 2 & 3)

Allow the cutting blades to reach full speed before cutting. When operating, keep the cutting blades away from people and objects such as walls, large stones, trees, vehicles, etc.

If the blade stalls, immediately stop the trimmer. Release the two Switch components **1** & **2** before attempting to clear jammed debris from the cutting blades. Wear gloves when trimming thorny or prickly growth. Do not attempt to cut stems that are too thick for the cutting blade.

5. Maintenance

Correct and regular cleaning will improve the safety and extend the lifespan of the device.

For safe and proper working, always keep the tool and ventilation slots clean.

The tool may be cleaned most effectively with compressed dry air or with a soft cloth moistened with soapy water. **Always wear safety goggles when cleaning tools with compressed air.**

Certain cleaning agents and solvents damage plastic parts. Some of these are: gasoline, carbon tetrachloride, chlorinated cleaning solvents, ammonia and household detergents that contain ammonia.

The brushes and commutator in your tool have been engineered for many hours of dependable service. To maintain peak efficiency of the motor, we recommend every two to six months the brushes be examined.

Store the tool, operating instructions and where necessary the accessories in the original packaging. In this way you will always have all the information and parts ready to hand.

⚠ WARNING:

Turn the device off, disconnect it from the mains and wait until it cools down before cleaning or maintenance to avoid electric shock or burn.

6. Warranty

This tool has been checked by the manufacturer. From the date of purchase by the final consumer, a two year warranty for **amateur use** covers any faulty material and manufacturing. The receipt or invoice of purchase needs to be displayed in case of a repair that is covered by the warranty. For possible faults during the warranty period, you should address your issue to the retail shop from which the purchase was made.

Terms of warranty

The warranty is valid only when:

- The tool has been used properly and for the purpose for which it was purchased.
- The tool presents a problem that is due to faulty material and manufacturing.

- Incapability of the tool to perform according to the technical specs provided.

Damages are not covered by the warranty that are due to causes such as:

- Wear due to improper use.
- Partial or total disassembly. The tool's shell must be disassembled only by personnel authorised by the official distributor.
- Damage due to overloading.
- Usage of incorrect or incompatible accessory.
- Bad maintenance from the operator or any other third party.
- Wear that was induced by external factors or rogue particles (dust, debris etc.)
- Wear due to non compliance with the instructions in this manual.

If, during the warranty period, there is a fault that can not be repaired from the authorised service department, the tool will be replaced without any extra cost.

7. Repair / Servicing

In case there is a need for a repair after the warranty period has expired, we will provide the best possible attention to repair the tool successfully.

8. Disposal



Do not dispose of electrical machines as unsorted municipal waste, use separate collection facilities.

Contact your local government collection systems for information regarding the collection systems available.

If electrical machines are disposed of in landfills or dumps, hazardous substances can leak into the groundwater and get into the food chain, damaging your health and well-being. When replacing old machines with new ones, the retailer will be happy to take back your old machine for disposal.

9. Declaration of Conformity

Authorized Representative

PAPADEAS S.A.

4-6 Iroon 1912 St., 13671, Acharne, Greece

Herewith declares that:

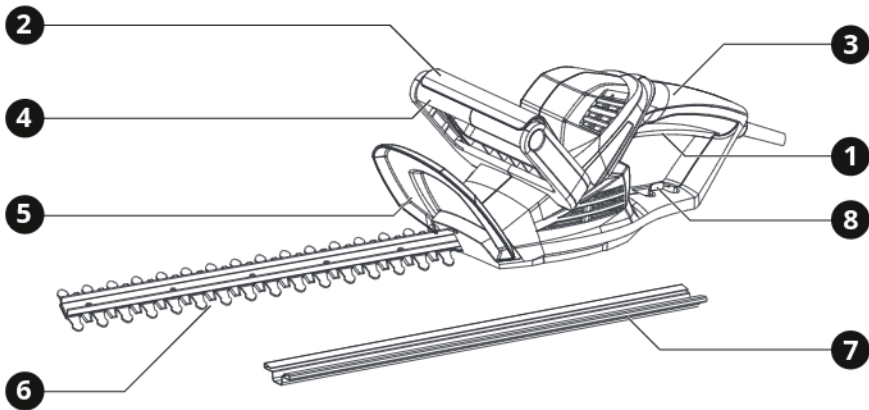
The **Electric Hedge Trimmer** with **CODE: 3370** and distinctive title: **HTLD17C-510** under the brand **KRAUSMANN** (Description: Electric hedge trimmer, 520W, 220-240V - 50Hz, no load speed: 1700min⁻¹, cutting length 510mm, cutting width 16mm, in color box packing.), is designed in conformity with provisions of the Directives 2006/42/EC, 2014/30/EU and the following manufacturing standards: EN60745-1:2009+A11:2010, EN60745-2-15:2009+A1:2010, AfPS GS 2019:01 PAK, EK9-BE-92, EK9-BE-98, EN55014-1:2017/A11:2020, EN IEC 55014-1:2021, EN 55014-2:1997/A2:2008, EN IEC 55014-2:2021, EN61000-3-2:2014, EN IEC 61000-3-2:2019/A1:2021, EN 61000-3-3:2013, EN 61000-3-3:2013/A2:2021.

Year in which "CE" marking was affixed: Machine-year 2022

Date: July 22th, 2022



** Accessories and contents may change from the production factory without any warnings, in that case the company bears no responsibility.*



1. Επισκόπηση

Περιγραφή Εργαλείου

- | | |
|----------------------------------|--------------------|
| 1 Διακόπτης ON / OFF | 5 Προφυλακτήρας |
| 2 Μπροστινός διακόπτης ασφαλείας | 6 Λεπίδες |
| 3 Πίσω χειρολαβή | 7 Κάλυμμα λεπίδων |
| 4 Μπροστινή χειρολαβή | 8 Υποδοχή καλωδίου |

Προειδοποιητικές ετικέτες στο μηχανήμα



Διαβάστε το εγχειρίδιο χρήσης πριν χρησιμοποιήσετε αυτό το μηχανήμα.



Φοράτε προστατευτικό κράνος, γυαλιά εργασίας και προστατευτικά αυτιών.



Να φοράτε πάντα εγκεκριμένα προστατευτικά γάντια.



Χρησιμοποιήστε αντιολισθητικές και σταθερές μπότες.



Να φοράτε μάσκα για τη σκόνη.



Μην το εκθέτετε στη βροχή.



Αφαιρέστε αμέσως το βύσμα από την πρίζα εάν το καλώδιο έχει υποστεί ζημιά ή κοπή.



Class II σύμβολο εργαλείων

⚠ ΣΗΜΑΝΤΙΚΟ:

Αν οι προειδοποιητικές ετικέτες αποκολληθούν ή λερωθούν και είναι αδύνατο να διαβαστούν, πρέπει να επικοινωνήσετε με τον αντιπρόσωπο από τον οποίο αγοράσατε το προϊόν για να παραγγείλετε νέες ετικέτες και να τις τοποθετήσετε στις απαιτούμενες θέσεις.

⚠ ΠΡΟΣΟΧΗ:

Ποτέ μην αναδιαμορφώσετε το εργαλείο.

Δεν θα εγγυηθούμε για το εργαλείο, αν χρησιμοποιείτε το αναδιαμορφωμένο προϊόν ή δεν συμμορφώνετε με τη σωστή χρήση που περιγράφεται στο εγχειρίδιο χρήσης.

2. Οδηγίες ασφαλείας

Πριν τη χρήση του μηχανήματος

⚠ ΠΡΟΣΟΧΗ:

Διαβάστε προσεκτικά και κατανοήστε όλες τις οδηγίες πριν χρησιμοποιήσετε το εργαλείο.

Για την πρόληψη κινδύνων και / ή σοβαρών τραυματισμών πρέπει να ακολουθήσετε τις οδηγίες.

- ▶ Ποτέ δεν πρέπει να χρησιμοποιείτε το εργαλείο υπό την επήρεια αλκοόλ, όταν υποφέρετε από εξάντληση ή έλλειψη ύπνου, όταν υποφέρετε από υπνηλία λόγω λήψης φαρμάκων, ή σε οποιαδήποτε άλλη στιγμή που υπάρχει πιθανότητα η κρίση σας να είναι μειωμένη ή να μην μπορείτε να χειριστείτε σωστά και με ασφάλεια το μηχανήμα.
- ▶ Ποτέ μην χρησιμοποιείτε το προϊόν υπό συνθήκες όπως αυτές που περιγράφονται παρακάτω:
 1. Όταν το έδαφος είναι ολισθηρό ή όταν άλλες συνθήκες καθιστούν αδύνατη τη διατήρηση μιας σταθερής στάσης.
 2. Τη νύχτα, σε περιόδους βαριάς ομίχλης ή οποιαδήποτε άλλη στιγμή που το οπτικό σας πεδίο μπορεί να είναι περιορισμένο και θα ήταν δύσκολο να αποκτήσετε μια σαφή εικόνα της περιοχής.
 3. Κατά τη διάρκεια καταιγίδων, κατά τη διάρκεια βροχής, σε περιόδους ισχυρών ανέμων ή σε οποιαδήποτε άλλη εποχή που οι καιρικές συνθήκες ενδέχεται να καταστήσουν τη χρήση αυτού του εργαλείου μη ασφαλή.
- ▶ Όταν χρησιμοποιείτε αυτό το εργαλείο για πρώτη φορά, πριν ξεκινήσετε την πραγματική εργασία, μάθετε να το χειρίζεστε από έναν εξειδικευμένο εργαζόμενο.
- ▶ Η έλλειψη ύπνου, η κούραση ή η σωματική εξάντληση οδηγούν σε μειωμένη προσοχή και αυτό με τη σειρά του οδηγεί σε ατυχήματα και τραυματισμούς. Περιορίστε το χρόνο συνεχόμενης χρήσης του μηχανήματος σε περίπου 10 λεπτά ανά συνεδρία και κάντε διαλείμματα 10-20 λεπτών μεταξύ των συνεδριών εργασίας. Προσπαθήστε επίσης να διατηρήσετε το

συνολικό χρόνο ημερήσιας εργασίας στις 2 ώρες ή λιγότερο.

- ▶ Βεβαιωθείτε ότι το εγχειρίδιο αυτό είναι προσβάσιμο, ώστε να μπορείτε ανατρέξετε σε αυτό αργότερα αν προκύψουν τυχόν ερωτήσεις.
- ▶ Να είστε πάντα βέβαιοι ότι συμπεριλαμβάνετε αυτό το εγχειρίδιο κατά την πώληση, δανεισμό ή μεταβίβαση της κυριότητας του εργαλείου.
- ▶ Ποτέ μην επιτρέπεται τη χρήση του εργαλείου σε παιδιά ή σε οποιονδήποτε που δεν είναι σε θέση να κατανοήσει πλήρως τις οδηγίες που δίνονται σε αυτό το εγχειρίδιο χρήσης αυτού του εργαλείου.
- ▶ Μην χρησιμοποιείτε ηλεκτρικά εργαλεία σε κερηκτικές ατμόσφαιρες, όπως παρουσία εύφλεκτων υγρών, αερίων ή σκόνης. Τα ηλεκτρικά εργαλεία δημιουργούν σπινθήρες που μπορεί να προκαλέσουν ανάφλεξη της σκόνης ή αναθυμιάσεις.
- ▶ Μην εκθέτετε τα ηλεκτρικά εργαλεία σε συνθήκες βροχής ή συνθήκες υγρασίας. Το νερό που εισέρχεται σε ένα ηλεκτρικό εργαλείο θα αυξήσει τον κίνδυνο ηλεκτροπληξίας.
- ▶ Αποτρέψτε την ακούσια εκκίνηση. Βεβαιωθείτε ότι ο διακόπτης είναι στη θέση εκτός λειτουργίας πριν συνδέσετε την μπαταρία, παραλάβετε ή μεταφέρετε το εργαλείο. Η μεταφορά ηλεκτρικών εργαλείων με το δάχτυλό σας στο διακόπτη ή η ενεργοποίηση ηλεκτρικών εργαλείων των οποίων ο διακόπτης είναι στη θέση ON προκαλεί ατυχήματα.
- ▶ Μην τεντώνετε υπερβολικά, διατηρήστε την κατάλληλη ισορροπία ανά πάσα στιγμή για να έχετε τον καλύτερο έλεγχο του ηλεκτρικού εργαλείου σε απρόσμενες καταστάσεις.
- ▶ Μην βάζετε πολύ δύναμη στο ηλεκτρικό εργαλείο. Χρησιμοποιήστε το σωστό ηλεκτρικό εργαλείο για την εργασία σας. Το σωστό εργαλείο θα κάνει τη δουλειά καλύτερα και ασφαλέστερα για τον σκοπό που σχεδιάστηκε.
- ▶ Μην χρησιμοποιείτε το ηλεκτρικό εργαλείο εάν δεν λειτουργεί ο διακόπτης ON / OFF. Κάθε ηλεκτρικό εργαλείο που δεν μπορεί

να λειτουργήσει με το διακόπτη είναι επικίνδυνο και πρέπει να επισκευαστεί.

- ▶ Αποσυνδέστε την μπαταρία από το ηλεκτρικό εργαλείο πριν κάνετε οποιεσδήποτε ρυθμίσεις, αλλάξετε αξεσουάρ ή το αποθηκεύσετε. Τέτοια προληπτικά μέτρα ασφαλείας μειώνουν τον κίνδυνο εκκίνησης του ηλεκτρικού εργαλείου κατά λάθος.
- ▶ Χρησιμοποιήστε το ηλεκτρικό εργαλείο, τα αξεσουάρ και τα κομμάτια εργαλείων κλπ., σύμφωνα με τις οδηγίες και με τον τρόπο που προορίζεται για τον συγκεκριμένο τύπο ηλεκτρικού εργαλείου, λαμβάνοντας υπόψη τις συνθήκες εργασίας και την εργασία που πρέπει να εκτελεστεί. Η χρήση του ηλεκτρικού εργαλείου για λειτουργίες διαφορετικές από αυτές που προορίζονται μπορεί να οδηγήσει σε επικίνδυνη κατάσταση.

Εξοπλισμός εργασίας και ρουχισμός

- ▶ Όταν χρησιμοποιείτε το εργαλείο, πρέπει να φοράτε σωστά ρούχα και προστατευτικό εξοπλισμό ως εξής: 1. Κράνος, 2. Προστατευτικά γυαλιά ή προστατευτικό πρόσωπο, 3. Χοντρά γάντια εργασίας, 4. Μπότες εργασίας με αντιοληθητικές σόλες, 5. Προστατευτικά αυτιών.
- ▶ Και πρέπει να φέρετε μαζί σας: 1. Εργαλεία και αρχεία που επισυνάπτονται, 2. Σωστά διατηρημένο καύσιμο και λάδι αλυσίδας, 3. Πράγματα για να γνωστοποιήσετε τον κίνδυνο εργασίας σας (σχοινί, προειδοποιητικές ταμπέλες), 4. Σφυρίχτρα (για συνεργασία ή έκτακτη ανάγκη), 5. Μπατά ή πριόνι (για την απομάκρυνση των εμποδίων).
- ▶ Ποτέ μην χρησιμοποιείτε το εργαλείο όταν φοράτε παντελόνια με χαλαρά μπατζάκια, όταν φοράτε σανδάλια ή όταν είστε ξυπόλητοι.

Πριν εκκινήσετε τον κινητήρα

- ▶ Πριν ξεκινήσετε την εργασία, κοιτάξτε τριγύρω προσεκτικά για να πάρετε μια αίσθηση για τη μορφολογία του εδάφους ή του γρασιδιού που πρέπει να κοπεί. Εάν υπάρχει κάποιο αντικείμενο που μπορεί να εμποδίζει κατά την εργασία, αφαιρέστε το.
- ▶ Η περιοχή ακτίνας 15 μέτρων από

τον χειριστή του εργαλείου πρέπει να θεωρείται επικίνδυνη περιοχή στην οποία κανείς δεν πρέπει να εισέλθει ενώ το εργαλείο είναι σε χρήση. Όταν χρειάζεται, τοποθετήστε κίτρινο προειδοποιητικό σχοινί και προειδοποιητικά σήματα γύρω από την περιοχή εργασίας. Όταν οι εργασίες εκτελούνται ταυτόχρονα από δύο ή περισσότερα άτομα, ελέγχετε πάντοτε την παρουσία και την τοποθεσία των ατόμων, ώστε να διασφαλίζεται η ασφάλεια διατηρώντας μια επαρκώς ασφαλή απόσταση.

- ▶ Βεβαιωθείτε ότι δεν υπάρχουν χαλαρές βίδες ή παξιμάδια, σκασιμάτα ή οποιαδήποτε άλλα προβλήματα, τα οποία ενδέχεται να επηρεάσουν την ασφαλή λειτουργία. Προσέξτε ιδιαίτερα ώστε να βεβαιωθείτε ότι δεν υπάρχει τίποτα κακό με τις λεπίδες ή με τις ενώσεις μέσω των οποίων είναι προσαρτημένες οι λεπίδες στο μηχανήμα.
- ▶ Ποτέ μην χρησιμοποιείτε λεπίδες που είναι λυγισμένες, στρεβλωμένες, ραγισμένες, σπασμένες ή κατεστραμμένες με οποιονδήποτε τρόπο.
- ▶ Κρατήστε τις λεπίδες πάντα αιχμηρές.
- ▶ Ακονίζοντας τις άκρες κοπής, διατηρείτε κοφτερές τις γωνιακές άκρες και γύρω από τη βάση της άκρης.
- ▶ Ελέγξτε τη βίδα για να στερεώσετε τη λεπίδα και βεβαιωθείτε ότι η λεπίδα γυρίζει ομαλά χωρίς ασυνήθιστο θόρυβο.

Κατά την εκκίνηση του κινητήρα

- ▶ Προσέξτε για να βεβαιωθείτε ότι δεν υπάρχουν εμπόδια εντός ακτίνας 15 μέτρων γύρω από το εργαλείο.
- ▶ Τοποθετήστε το σώμα του εργαλείου στο έδαφος σε μια επίπεδη και καθαρή περιοχή και κρατήστε το σταθερά στη θέση του, ώστε να μην έρχονται σε επαφή οι λεπίδες με τυχόν εμπόδια κατά την εκκίνηση του κινητήρα.
- ▶ Μετά την εκκίνηση του κινητήρα, εάν οι λεπίδες συνεχίσουν να περιστρέφονται ακόμα και μετά την πλήρη επαναφορά του γκαζιού, σβήστε τον κινητήρα και ελέγξτε τα εξαρτήματα.

Λειτουργία

- ▶ Κρατήστε σταθερά τις λαβές του εργαλείου και με τα δύο χέρια. Αν αναστείλετε την εργασία, αφήστε το δάκτυλο από το διακόπτη ON / OFF.
- ▶ Πάντα να είστε βέβαιοι ότι διατηρείτε σταθερή, ομοιόμορφη στάση ενώ εργάζεστε.
- ▶ Διατηρείστε την ταχύτητα του εργαλείου στο απαιτούμενο επίπεδο για να εκτελέσετε εργασίες κοπής και μην αυξάνετε ποτέ την ταχύτητα του εργαλείου πάνω από το απαραίτητο επίπεδο.
- ▶ Αν τα φύλλα παγιδεύονται στη λεπίδα κατά τη λειτουργία, ή αν πρέπει να ελέγξετε τη μονάδα βεβαιωθείτε ότι έχετε απενεργοποιήσει το εργαλείο.
- ▶ Αν η λεπίδα αγγίζει ένα σκληρό αντικείμενο σαν πέτρα, σταματήστε αμέσως το εργαλείο και ελέγξτε αν κάτι πάει στραβά. Αν ναι, αντικαταστήστε τη με μια νέα.
- ▶ Αν κάποιος σας φωνάξει κατά την εργασία, βεβαιωθείτε ότι έχετε απενεργοποιήσει το εργαλείο πριν γυρίσετε.
- ▶ Μην αγγίζετε ποτέ τα μεταλλικά μέρη του εργαλείου κατά τη λειτουργία του ή αμέσως μετά το σβήσιμο του εργαλείου. Κάτι τέτοιο μπορεί να προκαλέσει σοβαρά εγκαύματα.
- ▶ Όταν ολοκληρώσετε την κοπή σε μια θέση και θέλετε να συνεχίσετε σε άλλο σημείο, απενεργοποιήστε τον κινητήρα και γυρίστε τη μονάδα έτσι ώστε η λεπίδα να βλέπει μακριά από το σώμα σας.
- ▶ Κρατήστε τις λαβές στεγνές, καθαρές και χωρίς λάδι ή μείγμα καυσίμων.
- ▶ Απενεργοποιείτε πάντα το εργαλείο πριν το αφήσετε κάτω.

Επισκευή / Σέρβις

- ▶ Δώστε το εργαλείο σας να επισκευαστεί από έναν εξειδικευμένο ειδικό, χρησιμοποιώντας μόνο γνήσια ανταλλακτικά. Αυτό θα εξασφαλίσει τη διατήρηση της ασφάλειας του ηλεκτρικού εργαλείου.
- ▶ Ακολουθείστε τις οδηγίες για τη λίπανση

και την αλλαγή των αξεσουάρ.

- ▶ Διατηρείστε τις λαβές στεγνές, καθαρές και χωρίς την ύπαρξη λαδιού και γράσου.

3. Ειδικές οδηγίες ασφαλείας

Πρόσθετες οδηγίες ασφαλείας ειδικά για ψαλίδια μπορντούρας

- ▶ Κρατήστε όλα τα μέρη του σώματος μακριά από τη λεπίδα κοπής. Μην αφαιρείτε και μην κρατάτε το υλικό που θα κοπεί όταν κινούνται οι λεπίδες. Βεβαιωθείτε ότι ο διακόπτης είναι απενεργοποιημένος κατά την εκκαθάριση μπλοκαρισμένου υλικού. Οι λεπίδες κινούνται μετά την απενεργοποίηση. Μια στιγμή απροσεξίας κατά τη λειτουργία του εργαλείου μπορεί να οδηγήσει σε σοβαρό τραυματισμό.
- ▶ Μεταφέρετε το εργαλείο από τη λαβή με τη λεπίδα κοπής σταματημένη. Κατά τη μεταφορά ή την αποθήκευση του εργαλείου τοποθετείτε πάντα το κάλυμμα του εργαλείου κοπής. Ο σωστός χειρισμός θα μειώσει τις πιθανότητες τραυματισμού από τις λεπίδες κοπής.
- ▶ Κρατήστε το ηλεκτρικό εργαλείο μόνο από τις μονωμένες επιφάνειες λαβής, επειδή η λεπίδα κοπής μπορεί να έρθει σε επαφή με κρυφή καλωδίωση ή με το δικό της καλώδιο. Οι λεπίδες κοπής που έρχονται σε επαφή με ένα “ζωντανό” καλώδιο μπορεί να κάνουν τα εκτεθειμένα μεταλλικά μέρη του ηλεκτρικού εργαλείου “ζωντανά” και θα μπορούσαν να προκαλέσουν ηλεκτροπληξία στον χειριστή.
- ▶ Κρατήστε τα χέρια σας μακριά από τη λεπίδα. Η επαφή με τη λεπίδα θα προκαλέσει σοβαρό τραυματισμό. Χρησιμοποιήστε και τα δύο χέρια όταν χειρίζεστε το εργαλείο. Η χρήση με το ένα χέρι μπορεί να προκαλέσει απώλεια ελέγχου και να προκαλέσει σοβαρό τραυματισμό.
- ▶ Χρησιμοποιείτε μόνο απο τη λαβή και με το προστατευτικό σωστά συναρμολογημένο για να ψαλιδίζετε. Η χρήση του εργαλείου χωρίς τον κατάλληλο προφυλακτήρα που παρέχεται μπορεί να προκαλέσει σοβαρό

τραυματισμό.

- ▶ Ελέγξτε για ξένα αντικείμενα, π.χ. συρματοπλεγμα.

Συντήρηση

- ▶ Εκτελέστε τις εργασίες συντήρησης και ελέγχου που περιγράφονται στο εγχειρίδιο σε τακτά χρονικά διαστήματα. Αν κάποια ανταλλακτικά πρέπει να αντικατασταθούν ή πρέπει να εκτελεστούν εργασίες συντήρησης ή επισκευής που δεν περιγράφονται σε αυτό το εγχειρίδιο, επικοινωνήστε με αντιπρόσωπο του πλησιέστερου εξουσιοδοτημένου αντιπροσώπου για βοήθεια.
- ▶ Σε καμία περίπτωση δεν πρέπει ποτέ να λύσετε το εργαλείο ή να το αλλάξετε με οποιονδήποτε τρόπο. Κάτι τέτοιο μπορεί να έχει ως αποτέλεσμα το εργαλείο να καταστραφεί κατά τη λειτουργία ή να μην μπορεί να λειτουργήσει σωστά.
- ▶ Πάντα βεβαιωθείτε ότι έχετε σβήσει τον κινητήρα πριν εκτελέσετε οποιαδήποτε διαδικασία συντήρησης ή ελέγχου.

⚠ ΠΡΟΣΟΧΗ:

Τα μεταλλικά μέρη φτάνουν σε υψηλές θερμοκρασίες κατά τη λειτουργία αλλά και αμέσως μετά τη διακοπή του κινητήρα.

- ▶ Όταν ακονίζετε, αφαιρείτε ή επανασυνδέετε τη λεπίδα, πρέπει να χρησιμοποιείτε τα κατάλληλα εργαλεία και εξοπλισμό για να αποφύγετε τραυματισμούς.
- ▶ Κατά την αντικατάσταση των εξαρτημάτων κοπής ή άλλων εξαρτημάτων ή των λιπαντικών πάντα βεβαιωθείτε ότι χρησιμοποιείτε μόνο προϊόντα που έχουν πιστοποιηθεί για χρήση με το εργαλείο.
- ▶ Εκτός από τα στοιχεία που αναφέρονται στο εγχειρίδιο χρήσης, αφήστε όλη την συντήρησή στον αρμόδιο αντιπρόσωπό σας.
- ▶ Σε καμία περίπτωση δεν πρέπει να διαχωρίζετε τα μηχανήματα ή να τα αλλάξετε με οποιονδήποτε τρόπο. Κάτι τέτοιο μπορεί να έχει ως αποτέλεσμα το προϊόν να καταστραφεί κατά τη λειτουργία ή το προϊόν να μην μπορεί να λειτουργήσει σωστά.

Μεταφορά

- ▶ Όταν ολοκληρώσετε την κοπή σε μια τοποθεσία και θέλετε να συνεχίσετε σε άλλη τοποθεσία, απενεργοποιήστε το εργαλείο, σηκώστε τη μονάδα προς τα πάνω και μεταφέρετέ την προσέχοντας τα εξαρτήματα κοπής.
- ▶ Κατά τη μεταφορά ή την αποθήκευση του μηχανήματος, τοποθετείτε πάντα το προστατευτικό του εργαλείου κοπής ή το κάλυμμα του οδηγού.
- ▶ Όταν μεταφέρετε το προϊόν με το χέρι, καλύψτε το τμήμα κοπής εάν είναι απαραίτητο, σηκώστε το προϊόν προς τα πάνω και στη συνέχεια μεταφέρετε, προσέχοντας το εξάρτημα κοπής.
- ▶ Κατά τη μεταφορά με αυτοκίνητο, στερεώστε τη μονάδα σταθερά χρησιμοποιώντας ένα σχοινί. Μην μεταφέρετε με ποδήλατο ή μοτοσυκλέτα επειδή είναι επικίνδυνο.

Υπολειπόμενοι κίνδυνοι

Ακόμα και όταν το εργαλείο χρησιμοποιείται σύμφωνα με τις προδιαγραφές, δεν είναι δυνατόν να εξαλειφθούν όλοι οι παράγοντες κινδύνου. Οι ακόλουθοι κίνδυνοι ενδέχεται να προκύψουν σε σχέση με την κατασκευή και το σχεδιασμό του εργαλείου:

- ▶ Ζημιά στους πνεύμονες εάν δεν φορεθεί αποτελεσματική μάσκα σκόνης.
- ▶ Βλάβη στην ακοή εάν δεν φορεθεί αποτελεσματική προστασία της ακοής.
- ▶ Προβλήματα υγείας που οφείλονται σε εκπομπές κραδασμών εάν το ηλεκτρικό εργαλείο χρησιμοποιείται για μεγαλύτερο χρονικό διάστημα ή εάν δεν διαχειρίζεται και συντηρείται σωστά.
- ▶ Το εργαλείο παράγει ένα ηλεκτρομαγνητικό πεδίο κατά τη λειτουργία του. Αυτό το πεδίο μπορεί σε ορισμένες περιπτώσεις να επηρεάσει ενεργά ή παθητικά ιατρικά εμφυτεύματα. Για να μειωθεί ο κίνδυνος σοβαρού ή θανατηφόρου τραυματισμού, συνιστούμε σε άτομα με ιατρικά εμφυτεύματα να συμβουλευτούν τον ιατρό τους και τον κατασκευαστή του ιατρικού εμφυτεύματος πριν από τη χρήση του.

ΑΠΟΘΗΚΕΥΣΤΕ ΑΥΤΟ ΤΟ ΕΓΧΕΙΡΙΔΙΟ ΧΡΗΣΗΣ

⚠ ΠΡΟΣΟΧΗ:

Κατάχρηση ή μη τήρηση των οδηγιών ασφαλείας που αναγράφονται σε αυτό το εγχειρίδιο χρήσης μπορεί να προκαλέσουν σοβαρό προσωπικό τραυματισμό.

4. Περιγραφή λειτουργιών και προδιαγραφών

Προβλεπόμενη χρήση

Αυτό το εργαλείο έχει σχεδιαστεί για κοπή θάμνων και μπορντούρας. Δεν πρέπει ποτέ να χρησιμοποιείται για οποιονδήποτε άλλο σκοπό.

⚠ ΠΡΟΣΟΧΗ:

Αν η αντικατάσταση οποιουδήποτε εξαρτήματος είναι απαραίτητη, αυτό πρέπει να γίνει από έναν επαγγελματία για να αποφευχθεί ο οποιοσδήποτε κίνδυνος ασφάλειας.

Εργαλείο	3370
Τάση λειτουργίας	220 - 240V ~ 50 Hz
Ισχύς εισόδου	520 W
Ταχύτητα χωρίς φορτίο	1700 min ⁻¹
Μήκος κοπής	510 mm
Πλάτος κοπής	16 mm
Στάθμη θορύβου	105 dBa
Βάρος	2.5 kg

⚠ ΠΡΟΣΟΧΗ:

Μην χρησιμοποιείτε το προϊόν χωρίς να συνδέσετε τον προφυλακτήρα και την μπροστινή λαβή.

Συναρμολόγηση

Αυτό το εργαλείο μπορεί να συνδεθεί μόνο με μονοφασικό ρεύμα AC. Βεβαιωθείτε ότι η τάση δικτύου είναι ίδια με την τάση λειτουργίας που αναγράφεται στην πινακίδα.

Συνδέστε το βύσμα τροφοδοσίας στη σύνδεση ενός κατάλληλου καλωδίου επέκτασης. Με το καλώδιο σχηματίστε μια θηλιά, σπρώξτε τη μέσα από το άνοιγμα στην πίσω χειρολαβή **3** και αγκιστρώστε το πάνω από την υποδοχή καλωδίου **8**.

Συναρμολόγηση του προφυλακτήρα

Σπρώξτε τον παρεχόμενο προφυλακτήρα **5** πάνω από τις λεπίδες **6** και στερεώστε με ασφάλεια τις βίδες και στις δύο πλευρές του.

Λειτουργία

❗ ΣΗΜΕΙΩΣΗ:

Για την ασφάλειά σας, αυτό το εργαλείο είναι εξοπλισμένο με διπλό σύστημα εκκίνησης. Αυτό το σύστημα εμποδίζει την εκκίνηση του εργαλείου ακούσια και επιτρέπει μόνο τη λειτουργία ενώ κρατάτε το εργαλείο και με τα δύο χέρια.

Ενεργοποίηση

Κρατήστε την μπροστινή χειρολαβή **4** με το ένα χέρι έτσι ώστε ο μπροστινός διακόπτης ασφαλείας **2** να πιεστεί προς το σώμα της μπροστινής χειρολαβής. Με το άλλο χέρι, πιέστε το διακόπτη ON / OFF **1** για να ξεκινήσετε το εργαλείο (fig 1).

Απενεργοποίηση

Αφήστε το μπροστινό διακόπτη ασφαλείας **2** ή το διακόπτη ON / OFF **1**. Προειδοποίηση! Ποτέ μην επιχειρήσετε να κλειδώσετε έναν διακόπτη στη θέση ενεργοποίησης.

Κοπή από πάνω

Χρησιμοποιήστε μια μεγάλη σαρωτική κίνηση (fig 2). Μια μικρή κλίση των λεπίδων κοπής προς την κατεύθυνση της κίνησης θα δώσει καλύτερα αποτελέσματα.

⚠ ΠΡΟΣΟΧΗ:

Εάν κάποια εξαρτήματα λείπουν, έχουν υποστεί ζημιά ή έχουν σπάσει, μην χρησιμοποιείτε το εργαλείο σας έως ότου αντικατασταθούν ή επισκευαστούν όλα τα κατεστραμμένα μέρη. Σε αντίθετη περίπτωση, μπορεί να προκληθεί σοβαρός τραυματισμός. ΜΗ ΧΡΗΣΙΜΟΠΟΙΗΣΕΤΕ ΧΩΡΙΣ ΤΗΝ ΜΠΡΟΣΤΙΝΗ ΧΕΙΡΟΛΑΒΗ ΚΑΙ ΤΟΝ ΠΡΟΦΥΛΑΚΤΗΡΑ.

Πλευρική κοπή

Όταν κόβετε τις πλαινές πλευρές του θάμνου, ξεκινήστε από το κάτω μέρος και κόψτε προς τα πάνω (fig 3), πλέζοντας τον θάμνο προς τα μέσα και πάνω. Αυτή η κίνηση θα εκθέσει περισσότερο μέρος του θάμνου, που θα έχει σαν αποτέλεσμα μία πιο ολοκληρωμένη ανάπτυξη.

Λίπανση των λεπίδων κοπής

Είναι σημαντικό να χρησιμοποιείτε μόνο το συνιστώμενο λιπαντικό για να αποφύγετε ζημιές στις λεπίδες **6** (fig 4).

Πώς να χρησιμοποιήσετε το ψαλίδι μπορντούρας

Ο μπροστινός διακόπτης ασφαλείας **2** μπορεί να ενεργοποιηθεί και από τις τρεις πλευρές, δίνοντάς σας πολλές επιλογές για άνετο κράτημα. Πριν κόψετε μια περιοχή, επιθεωρήστε την πρώτα και αφαιρέστε τυχόν αντικείμενα που θα μπορούσαν να μπλεχτούν στις λεπίδες. Κρατάτε πάντα το εργαλείο και με τα δύο χέρια και με τις λεπίδες μακριά από σας πριν το ενεργοποιήσετε.

Όταν ψαλιδίζετε καινούρια φύλλα, πραγματοποιήστε μία ευρεία κίνηση “σκοπιματός” έτσι ώστε τα φύλλα να τροφοδοτούνται απευθείας στις λεπίδες (fig 2 & 3).

Αφήστε τις λεπίδες κοπής να φτάσουν σε πλήρη ταχύτητα πριν από την κοπή. Κατά τη λειτουργία, κρατήστε τις λεπίδες κοπής μακριά από ανθρώπους και αντικείμενα όπως τοίχους, μεγάλες πέτρες, δέντρα, οχήματα κ.λπ.

Εάν οι λεπίδες σταματήσουν, απενεργοποιήστε αμέσως το εργαλείο. Αφήστε τους δύο διακόπτες **1** & **2** πριν καθαρίσετε τις λεπίδες κοπής. Φοράτε γάντια όταν κόβετε αγκάθια ή φραγκόσουκα. Μην επιχειρήσετε να κόψετε στελέχη που είναι πολύ παχιά για τις λεπίδες κοπής.

5. Συντήρηση

Ο σωστός και τακτικός καθαρισμός θα βελτιώσει την ασφάλεια και θα επεκτείνει τη διάρκεια ζωής του εργαλείου.

Για ασφαλή και σωστή εργασία, πάντα να κρατάτε καθαρές τις υποδοχές εξερισμού και το ίδιο το εργαλείο σε καλή κατάσταση.

Το εργαλείο μπορεί να καθαριστεί αποτελεσματικά με ξηρό συμπιεσμένο αέρα ή με ένα μαλακό πανί βρεγμένο με σαπουνόνερο. **Πάντα να φοράτε προστατευτικά ματιών όταν καθαρίζετε τα εργαλεία με συμπιεσμένο αέρα.**

Ορισμένα καθαριστικά μέσα και διαλύτες μπορεί να προκαλέσουν βλάβη σε πλαστικά μέρη. Κάποια από αυτά είναι: βενζίνη,

τετραχλωράνθρακας, χλωριωμένοι διαλύτες καθαρισμού, αμμωνία και οικιακά απορρυπαντικά που περιέχουν αμμωνία.

Οι ψύκτρες (καρβουνάκια) και ο διακόπτης στο εργαλείο σας έχουν σχεδιαστεί για πολλές ώρες αξιόπιστης λειτουργίας. Για να διατηρηθεί η μέγιστη απόδοση του κινητήρα, συνιστούμε κάθε δύο έως έξι μήνες να εξετάζονται οι ψύκτρες.

Αποθηκεύστε το εργαλείο, το εγχειρίδιο χρήσης και όπου είναι απαραίτητο τα αξεσουάρ στη γνήσια συσκευασία. Με αυτό τον τρόπο θα έχετε πάντα όλη την πληροφορία και τα διάφορα μέρη στη διάθεσή σας.

⚠ ΠΡΟΣΟΧΗ:

Απενεργοποιήστε το εργαλείο, αποσυνδέστε την από το ρεύμα και περιμένετε μέχρι να κρυώσει πριν από τον καθαρισμό ή τη συντήρηση για να αποφύγετε ηλεκτροπληξία ή εγκαύματα.

6. Εγγύηση

Αυτό το εργαλείο έχει ελεγχθεί από τον κατασκευαστή. Από την ημερομηνία αγοράς από τον τελικό καταναλωτή, η εγγύηση δύο ετών για **ερασιτεχνική χρήση** καλύπτει κάθε ελαττωματικό υλικό και κατασκευή. Η απόδειξη ή το τιμολόγιο αγοράς πρέπει να επιδεικνύεται σε περίπτωση επισκευής που καλύπτεται από την εγγύηση. Για πιθανές βλάβες κατά τη διάρκεια της περιόδου εγγύησης, θα πρέπει να απευθυνθείτε στο κατάστημα λιανικής πώλησης από το οποίο πραγματοποιήθηκε η αγορά.

Όροι εγγύησης

Η εγγύηση ισχύει μόνο όταν:

- Το εργαλείο έχει χρησιμοποιηθεί σωστά και για τον σκοπό για τον οποίο αγοράστηκε.
- Το εργαλείο παρουσιάζει ένα πρόβλημα που οφείλεται σε ελαττωματικό υλικό και κατασκευή.
- Το εργαλείο αδυναμεί να εκτελέσει εργασίες σύμφωνα με τις τεχνικές προδιαγραφές που παρέχονται.

Δεν καλύπτονται από την εγγύηση ζημιές που οφείλονται σε αιτίες όπως:

- Φθορά λόγω ακατάλληλης χρήσης.
- Μερική ή ολική αποσυρμολόγηση. Η

αποσυρμολόγηση πρέπει να γίνεται μόνο από προσωπικό εξουσιοδοτημένο από τον επίσημο διανομέα.

- Ζημιές λόγω υπερφόρτωσης.
- Χρήση εσφαλμένου ή ασύμβατου εξαρτήματος.
- Κακή συντήρηση από τον χειριστή ή οποιοδήποτε άλλο τρίτο μέρος.
- Φθορά που προκλήθηκε από εξωτερικούς παράγοντες ή ξένα σωματίδια (σκόνη, μπάζα κλπ.)
- Φθορά λόγω μη συμμόρφωσης με τις οδηγίες αυτού του εγχειριδίου.

Εάν, κατά τη διάρκεια της περιόδου εγγύησης, υπάρχει ζημιά που δεν μπορεί να επισκευαστεί από το εξουσιοδοτημένο τμήμα σέρβις, το εργαλείο θα αντικατασταθεί χωρίς πρόσθετο κόστος.

7. Επισκευή / Σέρβις

Σε περίπτωση ανάγκης για επισκευή μετά τη λήξη της περιόδου εγγύησης, θα δώσουμε την καλύτερη δυνατή προσοχή για την επιτυχή επιδιόρθωση του εργαλείου.

8. Περιβάλλον



Μην απορρίπτετε τις ηλεκτρικές μηχανές ως αστικά απόβλητα χωρίς διαλογή, χρησιμοποιήστε χωριστές εγκαταστάσεις συλλογής.

Επικοινωνήστε με τα συστήματα συλλογής τοπικής κυβέρνησης που είναι διαθέσιμα. Εάν τα ηλεκτρικά μηχανήματα απορρίπτονται σε χώρους υγειονομικής ταφής ή χωματερές, επικίνδυνες ουσίες μπορεί να διαρρεύσουν στα υπόγεια ύδατα και να εισέλθουν στην τροφική αλυσίδα, βλάπτοντας την υγεία και την ευημερία.

Κατά την αντικατάσταση των παλαιών μηχανημάτων με καινούργια, ο έμπορος λιανικής θα χαρεί να πάρει πίσω το παλιό σας μηχανήμα για απόρριψη.

9. Δήλωση Συμμόρφωσης

Εξουσιοδοτημένος Αντιπρόσωπος

ΠΑΠΑΔΕΑΣ Α.Ε.

Ηρώων 1912 4-6, 13671, Αχαρναί, Ελλάδα

Δια της παρούσης δηλώνεται ότι:

Το **Κλαδευτήρι Μπορντούρας με ΚΩΔΙΚΟ: 3370** και διακριτικό τίτλο: **HTLD17C-510** υπό την επωνυμία **KRAUSMANN** (Περιγραφή: Κλαδευτήρι Μπορντούρας, 520W, 220-240V - 50Hz, ταχύτητα χωρίς φορτίο: 1700min⁻¹, μήκος λεπίδας: 510mm, μήκος κοπής: 16mm, σε έγχρωμο κουτί), είναι σχεδιασμένο σύμφωνα με τις διατάξεις των Οδηγιών 2006/42/EC, 2014/30/EU και σύμφωνα με τα ακόλουθα πρότυπα: EN60745-1:2009+A11:2010, EN60745-2-15:2009+A1:2010, AfPS GS 2019:01 PAK, EK9-BE-92, EK9-BE-98, EN55014-1:2017/A11:2020, EN IEC 55014-1:2021, EN 55014-2:1997/A2:2008, EN IEC 55014-2:2021, EN61000-3-2:2014, EN IEC 61000-3-2:2019/A1:2021, EN 61000-3-3:2013, EN 61000-3-3:2013/A2:2021.

Έτος απόκτησης "CE" πιστοποίησης: εργαλείο 2022

Ημερομηνία: 22 Ιουλίου 2022



** Τα αξεσουάρ και τα περιεχόμενα ενδέχεται να αλλάξουν από το εργοστάσιο παραγωγής χωρίς προειδοποίηση, σε αυτή την περίπτωση η εταιρεία δεν φέρει καμία ευθύνη.*

KRAUSMANN
POWER TOOLS

RELIABLE PERFORMANCE

3370

www.krausmann.gr

