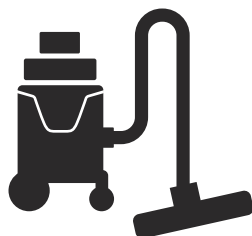




Husqvarna®

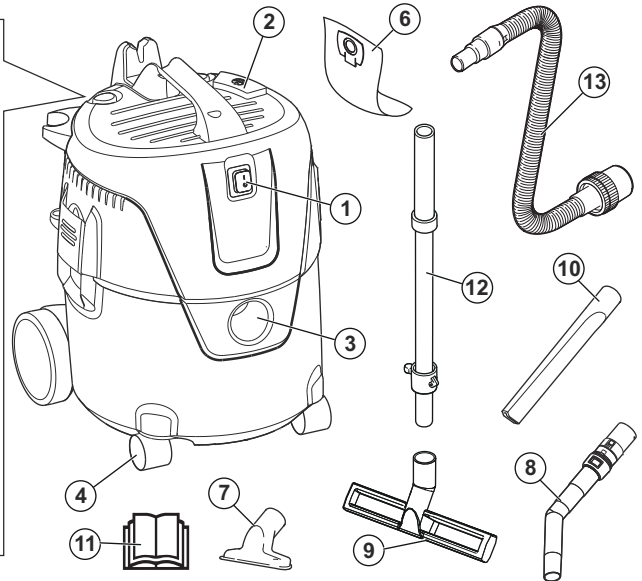
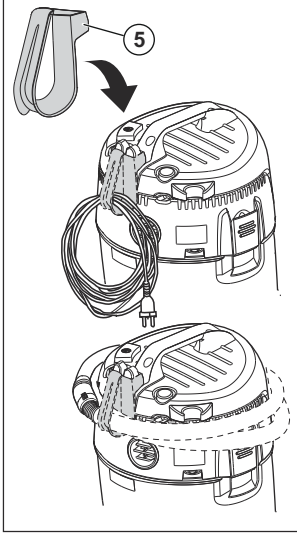


WDC 220, WDC 225, WDC 325L

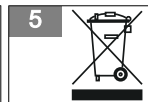
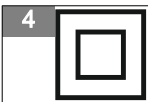
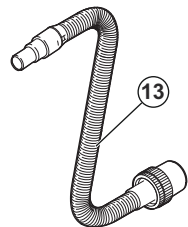
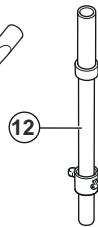
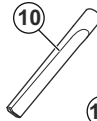
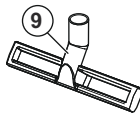
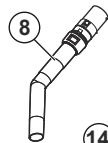
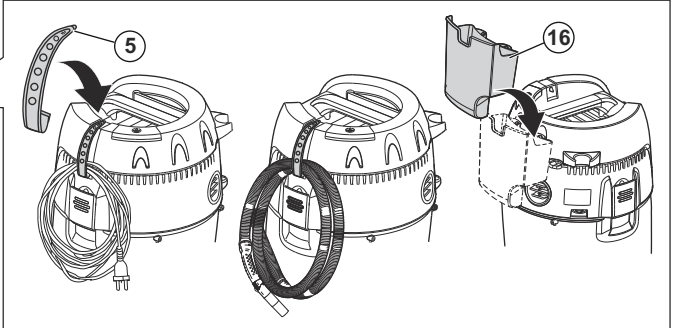
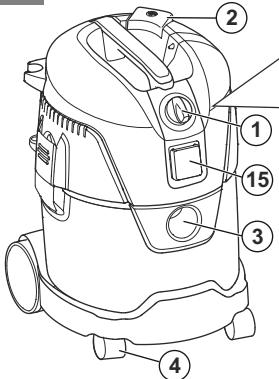


EN	Operator's manual	7-17
AR	دليل المشغل	18-27
BG	Ръководство за експлоатация	28-40
CS	Návod k použití	41-52
DA	Brugsanvisning	53-63
DE	Bedienungsanweisung	64-76
EL	Οδηγίες χρήσης	77-89
ES	Manual de usuario	90-101
ET	Kasutusjuhend	102-112
FI	Käyttöohje	113-123
FR	Manuel d'utilisation	124-135
HR	Priručnik za korištenje	136-146
HU	Használati utasítás	147-158
IT	Manuale dell'operatore	159-170
JA	取扱説明書	171-181
KO	사용자 설명서	182-192
LT	Operatoriaus vadovas	193-203
LV	Lietošanas pamācība	204-215
NL	Gebruiksaanwijzing	216-227
NO	Bruksanvisning	228-238
PL	Instrukcja obsługi	239-250
PT	Manual do utilizador	251-262
RO	Instrucțiuni de utilizare	263-274
RU	Руководство по эксплуатации	275-287
SK	Návod na obsluhu	288-298
SL	Navodila za uporabo	299-309
SR	Priručnik za rukovaoca	310-320
SV	Bruksanvisning	321-331
TR	Kullanım kılavuzu	332-342
UK	Посібник користувача	343-355
ZH	操作手册	356-364

1



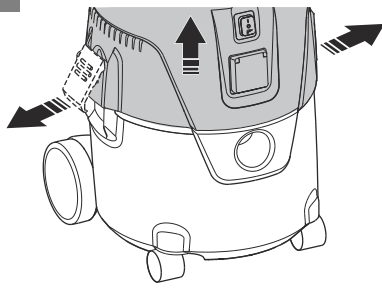
2



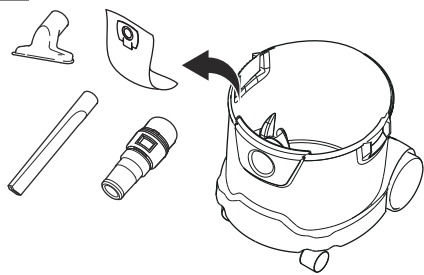
7



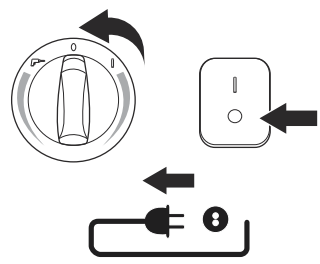
8



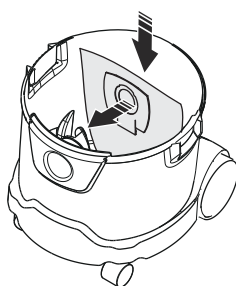
9



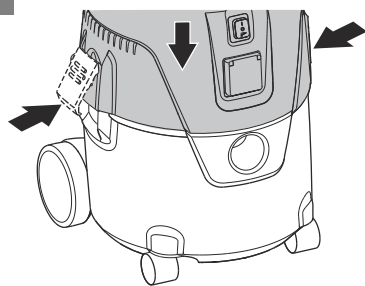
10



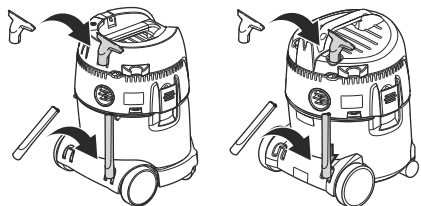
11



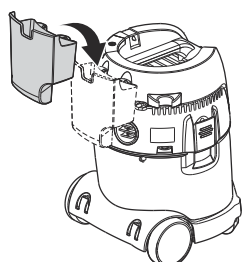
12



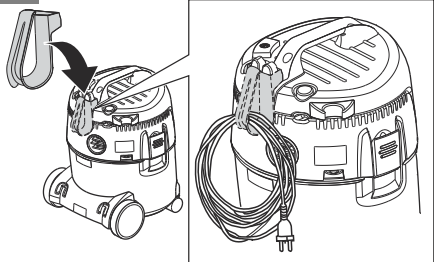
13



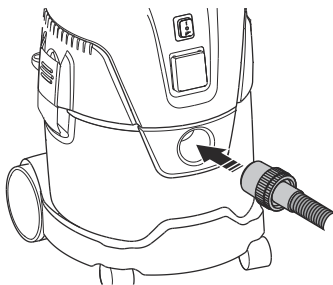
14



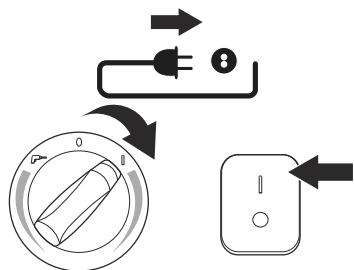
15



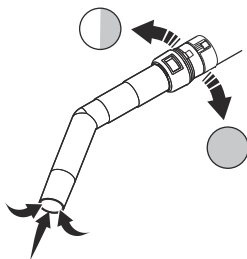
16



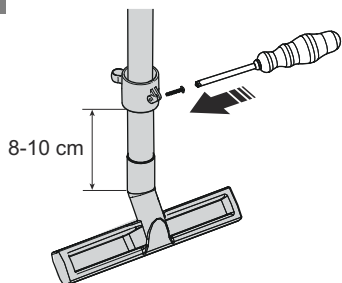
17



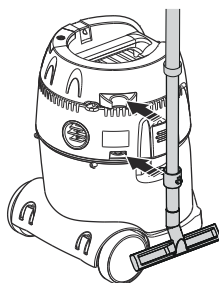
18



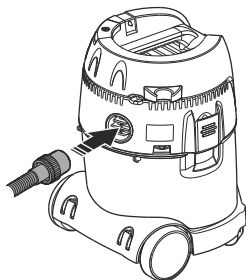
19



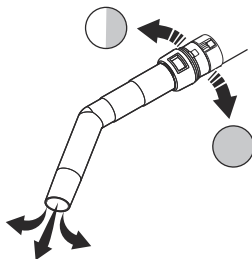
20

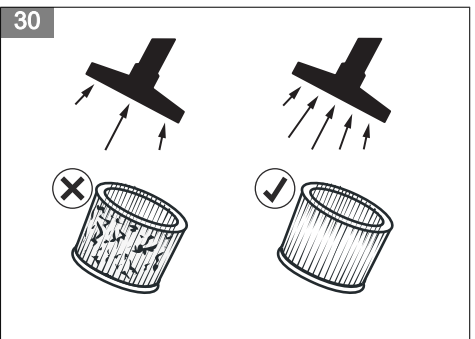
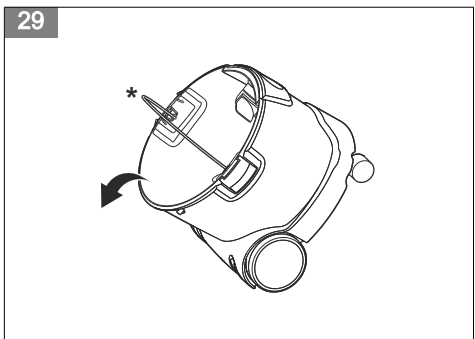
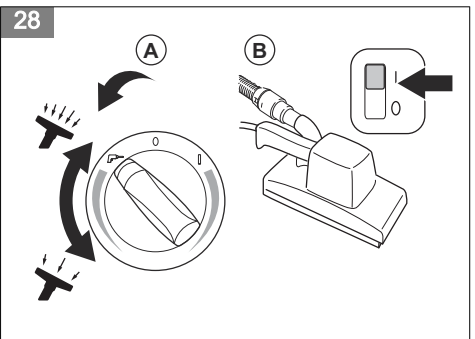
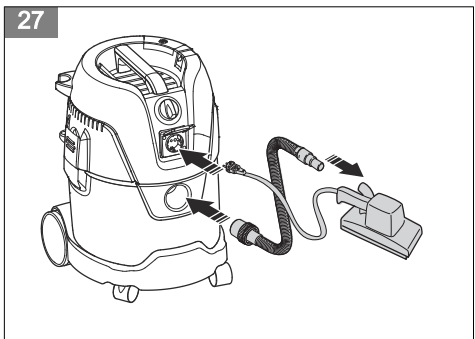
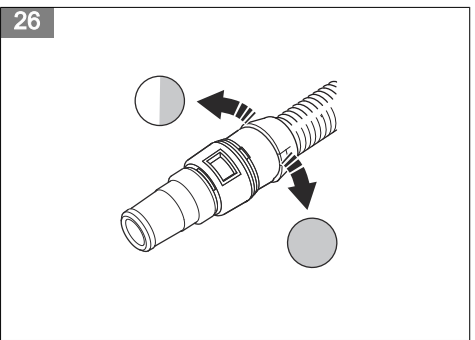
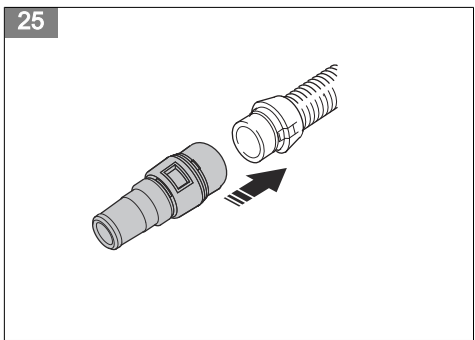
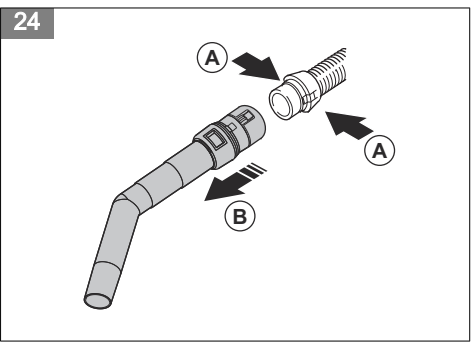
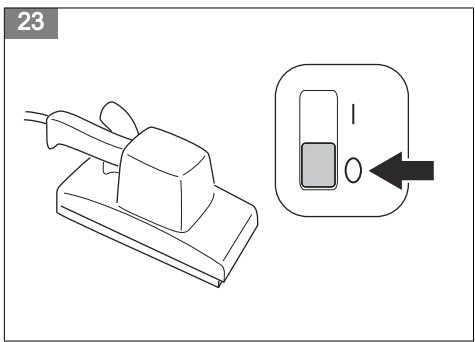


21

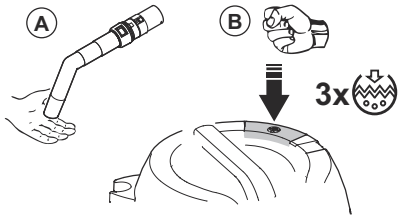


22

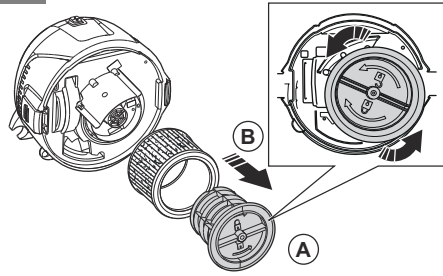




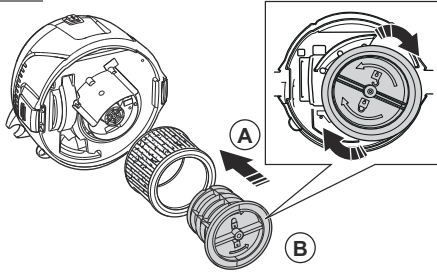
31



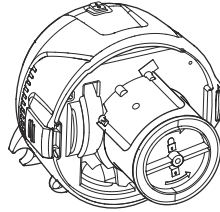
32



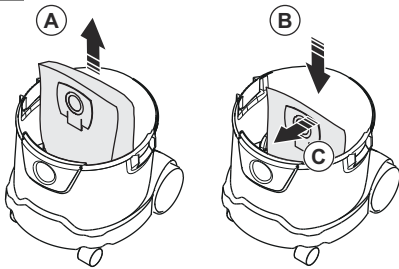
33



34



35



Contents

Introduction.....	7	Maintenance.....	13
Safety.....	8	Transportation, storage and disposal.....	15
Assembly.....	12	Technical data.....	16
Operation.....	12	EC Declaration of Conformity.....	17

Introduction

Product description

The product is a multi purpose vacuum-cleaner designed for commercial use.

Intended use

Use the product to clean dry, non-flammable dust and liquids.

Product overview WDC 220, WDC 225

(Fig. 1)

1. Main switch
2. Filter cleaning system
3. Vacuum inlet
4. Wheels
5. Cable holder, Hose holder
6. Filter bag

Read and obey the safety instructions and the operator's instructions.

Only do maintenance and repair on the product that is specified by the manufacturer.

The manufacturer accepts no liability for damage that is a result of incorrect use, incorrect maintenance or incorrect repair.

7. Nozzle
8. Handle
9. Floor nozzle
10. Crevice nozzle
11. Operator's manual
12. Extension tube
13. Hose

Product overview WDC 325L

(Fig. 2)

1. Main switch
2. Filter cleaning system
3. Vacuum inlet
4. Wheels
5. Cable holder, Hose holder
6. Filter bag
7. Nozzle
8. Handle
9. Floor nozzle
10. Crevice nozzle
11. Operator's manual
12. Extension tube
13. Hose
14. Power tool adaptor
15. Electrical connection for power tool
16. Tool box

(Fig. 5) Do not discard the unit with domestic waste. Obey the local requirements.

(Fig. 6) The product agrees with the applicable EC directives.

Note: Other symbols/decals on the product refer to certification requirements for other commercial areas.

Dust Class L

(Fig. 7)

Observe the safety advice and associated measures for Dust Class L.

Product liability

As referred to in the product liability laws, we are not liable for damages that our product causes if:

- the product is incorrectly repaired.
- the product is repaired with parts that are not from the manufacturer or not approved by the manufacturer.
- the product has an accessory that is not from the manufacturer or not approved by the manufacturer.

Symbols on the product

(Fig. 3) Read the operator's manual carefully and make sure that you understand the instructions before use.

(Fig. 4) The unit has double insulation.

- the product is not repaired at an approved service center or by an approved authority.

Safety

Safety definitions

Warnings, cautions and notes are used to point out specially important parts of the manual.



WARNING: Used if there is a risk of injury or death for the operator or bystanders if the instructions in the manual are not obeyed.



CAUTION: Used if there is a risk of damage to the product, other materials or the adjacent area if the instructions in the manual are not obeyed.

Note: Used to give more information that is necessary in a given situation.

General safety instructions



WARNING: Read the warning instructions that follow before you use the product.

- If the product and/or an accessory is damaged it must be repaired by an approved service center. Do not use a damaged product.
- Do not let a child operate the product. Do not let a person, without knowledge of the instructions operate or do maintenance on the product.
- The product must only be operated under supervision.
- Make sure that you always monitor a person, with decreased physical capacity or mental capacity, that uses the product.
- Children must be monitored to make sure that they do not play with the product.
- Do not use dangerous work procedures.
- Do not use the product without the filters in correct position.
- Stop the product and disconnect the mains plug in the following situations:
 - Before cleaning and maintenance.
 - Before repair.
 - If there is foam or liquid in the area.
- Do not go away from the product when it is connected. Disconnect the mains plug when it is not in operation and before maintenance.
- Do not use the product if the cord or the plug is damaged. Hold the plug, not the cord, to disconnect. Do not hold the plug or the product with wet hands. Reset all controls before disconnecting.
- Do not pull the product by the cord. Do not use the cord as a handle. Do not close a door on the cord, or pull the cord around sharp edges

- or corners. Do not run the product on the cord. Keep the cord away from hot surfaces.
- Keep hair, loose clothing, fingers and all parts of the body away from openings and moving parts. Do not put objects into the openings or use with the opening blocked. Keep the openings free of dust, lint, hair, and anything else that can decrease the flow of air.
 - Do not vacuum clean dangerous dust with WDC 220, WDC 225.
 - Do not vacuum clean flammable or flammable liquids such as gasoline. Do not use the product in areas where such products may be.
 - Do not vacuum clean anything that is burning or smoking, such as cigarettes, matches or hot ashes.
 - Be careful when cleaning on stairs.
 - If foam or liquid comes from the product, stop the product immediately.
 - Do not use the product as a water pump.
 - Connect the product to a correctly grounded mains socket. The socket outlet and the extension cable must have an operative protective conductor (only applicable to non double-insulated products).
 - Make sure that there is good airflow at the work area.
 - Do not use the product as a ladder or step ladder.
 - When dust removers are used, the rate at which air is exchanged in the room must be adequate if the exhaust air from the vacuum cleaner is blown into the room. Obey the national regulations before use.
 - For Dust Class L products, WDC 325L, tell and train the operator before use:
 - How to use the product.
 - The risks of the material to be picked up.
 - Safe disposal of the picked up material.
 - For Dust Class L products, WDC 325L, the following applies:
 - Use the product to clean dry, non-flammable dust and liquids, dangerous dusts with OEL¹⁾ value > 1mg/m³. Dust Class L (IEC 60335-2-69). The dust with this class has OEL¹⁾ values > 1mg/m³.

- Products with the Dust Class L, has a tested filter material. The maximum degree of permeability is 1%. There is no special requirement for disposal.

Note: Refer to local laws. They can regulate the age of the operator.

Safety for double-insulated products



WARNING: Only use the product as given in this manual and only with the manufacturer's recommended accessories.



WARNING: Only applicable to UK: Read these important instructions. These instructions have been prepared with safety and efficiency paramount. The operator must be trained by an approved instructor and must understand these instructions for operation. The operator must know all the related regulations and legislation in force at the time of operation.



WARNING: Before you connect the product: Make sure that the mains voltage and the mains frequency of the power supply match the data on the rating plate of the wet/dry vacuum cleaner.



WARNING: This product has double insulation. Use only Husqvarna replacement parts. See instructions on how to do service on double-insulated products.



WARNING: The product has a special cord. If the cord is damaged, it must be replaced by a cord of the same type. This is available at approved service centers and dealers and must be installed by approved personnel.



WARNING: Service on a double-insulated product requires knowledge of the system. In a double-insulated products, two systems of insulation are provided instead of grounding. No grounding means is provided on a double-insulated product, nor should a mean for grounding be added to the appliance. Service must be done only by

approved service personnel. Replacement parts for a double-insulated product must be identical to the parts they replace. A double-insulated product is marked with the words "DOUBLE INSULATION" or "DOUBLE INSULATED." A symbol may also be used on the product.

Electrical safety

- It is recommended that the vacuum-cleaner should be connected via a residual current circuit breaker.
- Arrange the electrical parts (sockets, plugs and couplings) and lay down the extension lead so that the protection class is maintained.
- Connectors and couplings of power supply cords and extension leads must be watertight.

Extension lead

- As an extension lead, only use the version specified by the manufacturer or one of a higher quality.
- When using an extension lead, check the minimum cross-sections of the cable:

Cable length	Cross section	
	< 16 A	< 25 A
< 20 m	1.5 mm ²	2.5 mm ²
20-50 m	2.5 mm ²	4.0 mm ²



WARNING: The upper section of the vacuum-cleaner contains live components. Contact with live components leads to serious or even fatal injuries.

- Never spray water on to the upper section of the vacuum-cleaner.



WARNING: Electric shock due to faulty mains connecting lead. Touching a faulty mains connecting lead can

result in serious or even fatal injuries.

- Do not damage the mains power lead (for example by driving over it, pulling or crushing it).
 - Regularly check whether the power cord is damaged or shows signs of ageing.
 - If the electric cable is damaged, it must be replaced by an authorized Husqvarna distributor or similar qualified person in order to avoid a hazard.
 - In no circumstances should the power supply cord be wrapped around fingers or any part of the operator's body.
-



CAUTION: The appliance socket (only on some models) is only designed for the purposes defined in the operating instructions. The connection of different appliances can result in damage.

- Prior to plugging in an appliance, always stop the product and the appliance that is to be connected.

- Read the operating instructions to the appliance to be connected and observe the safety notes contained in these.
-



CAUTION: Damage due to unsuitable mains voltage. The appliance can be damaged as a result of being connected to an unsuitable mains voltage.

- Make sure that the mains voltage and the mains frequency of the power supply match the data on the rating plate of the wet/dry vacuum cleaner.

Safety instructions for operation

To clean liquids



CAUTION: Do not clean flammable liquids.

- Remove the filter bag before you start to clean liquids. Do a check that the float or the water level limit function correctly.
- Use a special filter element or filter screen.
- If foam comes from the product, stop the work immediately and empty the tank.

Dangerous materials



WARNING: Do not clean dangerous materials. This can cause injuries.

- Do not clean the following materials:
 - dangerous dust
 - hot materials, for example burning cigarettes and hot ash.
 - flammable, explosive, aggressive liquids, for example gasoline, solvents, acids and alkalis.

- flammable, explosive dust, for example magnesium or aluminum dust.

Spare parts and accessories



CAUTION: Only use spare parts and accessories for the safety of the product.

- Use only spare parts and accessories from Husqvarna.
- Use only the brushes supplied with the product or referred to in the operator's manual.

Explosive or flammable atmosphere



CAUTION: Do not use the product in explosive or flammable atmospheres. Do not use the product near liquids, gas or fume that can cause flammable atmospheres.

Blower function



WARNING: Dust can cause health problems. The product has a blower function. Do not blow the outgoing air randomly in closed areas. Use the blower function only with a clean hose.

Safety instructions for maintenance



WARNING: Read all warning instructions that follow before you do maintenance on the product.

To empty the dirt container



CAUTION: Cleaned material can be dangerous to the environment. Discard the dirt referring to legal regulations.

Assembly



WARNING: Read and understand the safety chapter before you assemble the product.

To do before installation

1. Unlock the clasps and lift off the motor unit. (Fig. 8)
2. Remove the accessories from the dirt container. (Fig. 9)
3. Make sure that all parts are included. See the product overview. Necessary tools: Screwdriver.

To install the filter bag

1. Put the main switch to the "0" position.
2. Disconnect the product. (Fig. 10)
3. Unlock the clasps and lift off the motor unit. (Fig. 8)
4. Put the filter bag in the dirt container.
5. Attach the cardboard part of the filter bag on the vacuum inlet. Make sure that the rubber membrane is passing past the heightening of the vacuum inlet. (Fig. 11)
6. Put the motor unit on the dirt container and lock the clasps. (Fig. 12)

To attach the accessories

1. Put the accessories in their position for easy access. (Fig. 13)
2. Attach the tool box at the rear of the product. (Fig. 14)
3. Attach the holder for the the cable and the hose at the rear of the product. (Fig. 15)

To install the hose

1. Put the hose in the vacuum inlet on the front of the product. (Fig. 16)
2. Connect the appliance into the mains.
3. Put the main switch to the "I" position. (Fig. 17)
4. Adjust the suction power on the handle or by the main switch*. *Only on some models. (Fig. 18)

To install the tube holder

1. Move the tube holder vertically on the extension tube.
2. Use a screwdriver to install the tube holder on correct height of the extension tube. (Fig. 19)
3. Park the extension tube at the holders on the rear of the product. (Fig. 20)

Operation

Introduction



WARNING: Before you operate the product, you must read and understand the safety chapter.

To start the product

Before the product is used, make sure that the frequency and voltage shown on the rating plate is the same as the mains voltage.

1. Make sure that the main switch is in position "0". (Fig. 10)
2. Do a check that correct filters are in position in the product.
3. Put the hose into the vacuum inlet at the front of the product. Push the hose forward until it is installed tightly in position in the vacuum inlet. (Fig. 16)
4. Connect the two extension tubes with the handle. Twist the extension tubes to make sure that they are correctly in position.
5. Attach a nozzle to the extension tube. Select the nozzle after the type of material that is to be cleaned.
6. Connect the plug into the mains.
7. Put the main switch into position "I" to start the product. (Fig. 17)
2. Disconnect the handle from the hose. Press the hatches on the hose end (A) and pull out the handle (B). (Fig. 24)
3. Connect the power tool adaptor. (Fig. 25)
4. Adjust the suction power on the power tool adaptor or by the main switch*. *Only on some models. (Fig. 26)
5. Connect the hose to the vacuum inlet of the product and to the power tool. Connect the cable of the power tool to the electrical connection of the product. (Fig. 27)
6. Make sure that the switch on the power tool is in position "0". (Fig. 23)
7. Turn the main switch on the product to the power tool position (A).
8. Put the switch of the power tool to "I" (B). (Fig. 28)

To stop the product

1. Put the main switch into position "0" to stop the product.
2. Disconnect the plug from the mains. (Fig. 10)

To use the blow function

1. Put the hose in the opening on the rear of the product. (Fig. 21)
2. Connect the plug into the mains.
3. Put the main switch to the "I" position. (Fig. 17)
4. Adjust the blow power on the handle or by the main switch*. *Only on some models. (Fig. 22)

To use the power tool socket*

*Only on some models.



CAUTION: Follow the operating instructions and safety instructions for appliances connected to the power tool socket.

Note: The maximum power consumption of the connected tool is told in section *Technical data on page 16*.

1. Make sure that the switch on the power tool is in position "0". (Fig. 23)

Note: You can start and stop the product with the main switch on the product (A) or on the power tool (B).

To clean liquid

Note: The product has a float system that stops the airflow through the product at the maximum liquid level.



CAUTION: Do not clean liquid without the float system in position.

1. Make sure that the filter and the filter tension (the float system) is in position, see *To replace the filter on page 14*. Remove the filter bag if it is installed.
2. Use the floor nozzle to clean liquid.
3. At the maximum liquid level, a noticeable change of the motor sound is heard. The suction power decreases.
4. Stop the product, see *To stop the product on page 13*.
5. Empty the dirt container, see *To empty the dirt container after liquid pick up on page 14*.

Maintenance

Introduction



WARNING: Before you do maintenance, you must read and understand the safety chapter.

For all servicing and repair work on the product, special training is necessary. We guarantee the availability of

professional repairs and servicing. If your dealer is not a service agent, speak to them for information about the nearest service agent.

Regular service and inspection

- Regular service and inspection of the product must be done by qualified personnel referring to related legislation and regulations.

- Electrical tests for ground continuity, insulation resistance, and condition of the flexible cord must be done frequently.
- If a defect is found, the product **must** be removed from service and repaired by an approved service technician.

Maintenance of Dust Class L products

The following applies for Dust Class L products, WDC 325L.

- During maintenance and cleaning, use the product safely for maintenance personnel or other persons.
- In the maintenance area:
 - Use filtered mandatory airflow.
 - Use protective clothing.
 - Clean the maintenance area so that no harmful material get out in other areas.
- If the parts can not be cleaned satisfactorily during maintenance and repair:
 - Put the parts in correctly sealed bags.
 - Discard the parts referring to legal regulations.

To empty the dirt container after liquid pick up

1. Stop the product, see *To stop the product on page 13*.
2. Disconnect the hose from the vacuum inlet by pulling out the hose.
3. Unlock the clasps and lift off the motor unit. (Fig. 8)
4. Empty the dirt container by tilting it rearward and put the liquids into a floor drain. * Handle only on some models. (Fig. 29)



CAUTION: Always empty and clean the dirt container and the float system after liquid pick up. Do not pick up liquid without the float system and filter installed in the product.

5. Put the motor unit on the dirt container and lock the clasps. (Fig. 12)

To empty the dirt container after dry pick up

1. Stop the product, see *To stop the product on page 13*.
2. Unlock the clasps and lift off the motor unit. (Fig. 8)
3. Do a check to see if the filter bag is full.
4. Remove the filter bag if it is full.



CAUTION: Do not pick up dry material without the filter and the filter bag in position.

5. Install a new filter bag, see *To install the filter bag on page 12*.

Note: The suction efficiency of the product depends on the dimension and quality of the filter and the filter bag. Use only Husqvarna filter and filter bags.

6. Put the motor unit on the dirt container and lock the clasps. (Fig. 12)

To clean the filter, filter cleaning system

The product has a semi-automatic filter cleaning system. Use the filter cleaning system regularly, at the latest when the cleaning performance is no longer sufficient. Regular use of the filter cleaning system increases the life of the filter.

1. Clean the filter when the suction power is no longer sufficient. (Fig. 30)
2. Put the hose in the vacuum inlet on the front of the product. (Fig. 16)
3. Connect the appliance into the mains.
4. Put the main switch to the "I" position. (Fig. 17)
5. Put the handle in your hand (A) to make suction into your hand.
6. Beat the filter cleaning button 3 times with your fist (B). (Fig. 31)
7. If the suction power is not sufficient, remove the filter, see *To replace the filter on page 14*.
8. Shake, brush or wash the filter to clean it.
9. Let the filter dry.
10. Install the filter, see *To install the filter bag on page 12*.

To clean the product externally

1. Stop the product, see *To stop the product on page 13*.
2. Clean the product with a dry cloth, and a small quantity of spray polish.

To replace the filter

The product is designed for continuous heavy work. Depending on the number of running hours, the dust filter should be replaced.

1. Stop the product, see *To stop the product on page 13*.
2. Unlock the clasps and lift off the motor unit. (Fig. 8)
3. Rotate the filter tension (A) counter clockwise and pull it out. Pull out the filter (B). (Fig. 32)
4. Install the new filter (A). Install the filter tension (B) and rotate it clockwise. (Fig. 33)
5. Make sure that the filter and the filter tension is in position. (Fig. 34)

- Put the motor unit on the dirt container and lock the clasps. (Fig. 12)

To replace the filter bag

- Stop the product, see *To stop the product on page 13*.
- Unlock the clasps and lift off the motor unit. (Fig. 8)
- Do a check to see if the filter bag is full. Remove the filter bag if it is full.
- Pull the cardboard part of the old filter bag from the vacuum inlet.

- Lift the filter bag (A) and discard it.
- Put the new filter bag in the dirt container (B).
- Attach the cardboard part of the filter bag on the vacuum inlet (C). Make sure that the rubber membrane is passing past the heightening of the vacuum inlet. (Fig. 35)
- Put the motor unit on the dirt container and lock the clasps. (Fig. 12)

Transportation, storage and disposal

Transportation and storage

- After use:
 - Disconnect the plug from the mains when the product is not in operation.
 - Wind up the cord starting from the product.
 - Use the cable holder to attach the cord on the motor unit.
 - Wind up the hose.
 - Use the hose holder to attach the hose on the motor unit.
- Transport:
 - Close all clasps on the motor unit.
 - Do not tilt the product if there is liquid in the dirt container.
 - Do not use a crane hook to lift the product.
- Storage:
 - Keep the product in a dry and frost free area.

To recycle the product

Follow these steps to make the product unusable.

- Disconnect the plug from the mains.
- Cut the power cord.
- Do not discard the product in usual domestic waste.

Disposal (in accordance with 2012/19/EC):

The product must not be added to normal household waste. It must be disposed of in line with local environmental regulations.

Make sure that the product is discarded through or via your municipal recycling collection centre.

(Fig. 5)

Technical data

Technical data

	EU/CH		GB		AU/NZ		US
	WDC 220	WDC 325L	WDC 220	WDC 325L	WDC 220	WDC 325L	WDC 225
Voltage, V	220-240	220-240	220-240	220-240	220-240	220-240	110-120
Power P_{rec} , W	1000	1200	1000	1000	1000	1000	1000
Connected load for appliance socket, W	-	2400 /1100	-	1900	-	1300	-
Frequency, Hz	50/60				50-60		50/60
Fusing, A	10	16/10	13	13	10	10	15
Protection category (moist, dust)	IPX4						
Protection class (electrical)	II (Fig. 4)	I	II (Fig. 4)	I	II (Fig. 4)	I	II (Fig. 4)
Air volume flow, l/min	3600	3700	3600	3600	3600	3600	3200
Air volume flow, cfm	127	130	127	127	127	127	113
Vacuum, mbar	210	235	210	210	210	210	210
Sound pressure level at 1 m, EN 60704-1, dB(A) +/- 2	72						
Vibration ISO 5349, m/s^2 +/- 1	<1,5						
Weight, kg	7,5	8,5	7,5	8,5	7,5	8,5	7,5
Width, mm	377	376	377	376	377	376	377
Depth, mm	385	392	385	392	385	392	392
Height, mm	506	533	506	530	506	530	550

EC Declaration of Conformity

EC Declaration of Conformity

Husqvarna AB, SE-561 82 Huskvarna, Sweden, tel: +46-36-146500, declares that the **vacuum-cleaner Husqvarna WDC 220, 3325L** complies with the requirements of the COUNCIL'S DIRECTIVE:

- of May 17, 2006 "relating to machinery" **2006/42/EC**
- of February 26, 2014 "relating to electromagnetic compatibility" **2014/30/EU**

The following standards have been applied:

EN 60335-1:2012+A11:2014, EN 60335-2-69:2012, EN 55014-1:2006+A1:2009+A2:2011, EN 55014-2:2015, EN 61000-3-2:2014, EN 61000-3-3:2013

If not otherwise stated, the above listed standards are the latest published versions.

Huskvarna, 2018-08-01



Cornelia Ekbladh , Director Product Management

المحتويات

24	الصيانة.....	18	مقدمة.....
25	النقل والتخزين وطريقة التخلص من المنتج.....	19	السلامة.....
26	البيانات الفنية.....	22	التجميع.....
27	بيان التوافق مع توجيهات المفوضية الأوروبية (EC).....	23	التشغيل.....

مقدمة

اقرأ تعليمات السلامة وتعليمات المشغل والتزم بها.

يجب تنفيذ الصيانة والإصلاح في المنتج المحدد بواسطة الجهة المصنعة فقط.

لا تتحمل الجهة المصنعة أي مسؤولية تجاه التلف الناتج عن الاستخدام غير الصحيح أو الصيانة غير الصحيحة أو الإصلاح بطريقة غير صحيحة.

وصف المنتج

هذا المنتج عبارة عن مكثفة كهربائية متعددة الأغراض مصممة للاستخدام التجاري.

الغرض من الاستخدام

استخدم المنتج لتنظيف الأتربة والسوائل غير القابلة للاشتعال.

نظرة عامة حول المنتج WDC 220, WDC 225

(الشكل 1)

7. الفوهة
8. المقبض
9. فوهة الأرضية
10. فوهة الشقوق
11. دليل المشغل
12. أنبوب التمديد
13. الخرطوم

1. المفتاح الرئيسي
2. نظام تنظيف الفلتر
3. مدخل المكثفة
4. العجلات
5. حامل الكابل، حامل الخرطوم
6. كيس الفلتر

نظرة عامة حول المنتج WDC 325L

(الشكل 2)

(الشكل 5) لا تتخلص من الوحدة مع المخلفات المنزلية. التزم بالمتطلبات المحلية.

(الشكل 6) يتوافق المنتج مع توجيهات الاتحاد الأوروبي المعمول بها.

1. المفتاح الرئيسي
2. نظام تنظيف الفلتر
3. مدخل المكثفة
4. العجلات
5. حامل الكابل، حامل الخرطوم
6. كيس الفلتر
7. الفوهة
8. المقبض
9. فوهة الأرضية
10. فوهة الشقوق
11. دليل المشغل
12. أنبوب التمديد
13. الخرطوم
14. مهايئ أداة الطاقة
15. وصلة كهربائية لأداة الطاقة
16. صندوق أدوات

ملاحظة: تشير الرموز/الملصقات الأخرى الموجودة على المنتج إلى متطلبات اعتماد خاصة بالمناطق التجارية الأخرى.

منتجات الأتربة من الفئة L

(الشكل 7)

امثل لصانح السلامة والتدابير المرتبطة بمنتجات الأتربة من الفئة L.

مسؤولية المنتج

وفقاً لما هو مشار إليه في قوانين المسؤولية المتعلقة بالمنتج، نحن لا نتحمل أي مسؤولية عن أي أضرار يسببها المنتج في الحالات التالية:

- إصلاح المنتج بطريقة خاطئة.
- إصلاح المنتج باستخدام أجزاء ليست من إنتاج الشركة المصنعة أو غير معتمدة منها.
- استخدام المنتج مع ملحق ليس من إنتاج الشركة المصنعة أو غير معتمد منها.
- عدم إصلاح المنتج في مركز خدمة معتمد أو بواسطة جهة معتمدة.

الرموز الموجودة على المنتج

(الشكل 3) اقرأ دليل المشغل بعناية وتأكد من فهم الإرشادات قبل الاستخدام.

(الشكل 4) تشمل الوحدة على عزل مزدوج.

تعريفات السلامة

تُستخدم التحذيرات والتنبيهات والملاحظات للإشارة إلى أجزاء مهمة للغاية من الدليل.

تحذير: يُستخدم إذا ثمة احتمال تعرّض المشغل أو المارة للإصابة أو الوفاة إذا لم يتم اتباع الإرشادات الواردة في الدليل.



تنبيه: يُستخدم إذا ثمة احتمال تلف المنتج أو المواد الأخرى أو المنطقة المجاورة إذا لم يتم اتباع الإرشادات الواردة في الدليل.



ملاحظة: تُستخدم لإعطاء المزيد من المعلومات اللازمة في حالة معينة.

إرشادات السلامة العامة

تحذير: اقرأ الإرشادات التحذيرية التالية قبل استخدام المنتج.



- إذا تعرض المنتج و/أو أحد الملحقات للتلّف، فيجب إصلاحه بواسطة مركز خدمة معتمد. لا تستخدم أي منتج تالف.
- لا تسمح للأطفال بتشغيل المنتج. لا تسمح لأي شخص ليس على دراية بالتعليمات بتشغيل المنتج أو صيانته.
- يجب تشغيل المنتج تحت الإشراف فقط.
- احرص دومًا على مراقبة الشخص الذي يستخدم المنتج والذي يعاني من إعاقة بدنية أو عقلية.
- يجب مراقبة الأطفال للتأكد من عدم لعبهم بالمنتج.
- لا تتبع إجراءات العمل الخطرة.
- لا تستخدم المنتج بدون استخدام الفلاتر في الوضع الصحيح.
- أوقف المنتج وافصل قابس المآخذ الرئيسي في المواقف التالية:

- قبل التنظيف والصيانة.
- قبل الإصلاح.
- في حالة وجود رغوّة أو سائل في المنطقة.
- لا تتعد عن المنتج أثناء توصيله.
- افصل قابس المآخذ الرئيسي أثناء عدم الاستخدام وقبل الصيانة.
- لا تستخدم المنتج إذا كان السلك أو القابس تالفًا. أمسك بالقابس للفصل وليس بالسلك. لا تمسك القابس أو المنتج وبداك مبتلتان. أعد ضبط كل مفاتيح التحكم قبل الفصل.
- لا تسحب المنتج من السلك. لا تستخدم السلك كمقبض. لا تغلق الباب على السلك، ولا تسحب السلك حول حواف أو زوايا حادة. لا تشغّل المنتج وهو موجود فوق السلك.
- احتفظ بالسلك بعيدًا عن الأسطح الساخنة.
- أبعد الشعر والملابس الفضفاضة والأصابع وجميع أجزاء الجسم عن الفتحات والأجزاء المتحركة. لا تضع أجسامًا على الفتحات ولا تستخدم المنتج والفتحات مسدودة. حافظ على الفتحات خالية من الأتربة والنسالة والشعر وأي شيء قد يقلل من تدفق الهواء.
- لا تكس الأتربة الخطرة باستخدام WDC 220, WDC 225.
- لا تكس المواد أو السوائل القابلة للاشتعال مثل البنزين. لا تستخدم المنتج في أماكن قد تشتمل على مواد ممائلة.

التعرض للمخاطر المهنية (OEL)¹ أكبر من 1 ملجم/م³. منتجات الأتربة من الفئة L (IEC 60335-2-69). الأتربة في هذه الفئة لها قيم حد تعرض للمخاطر المهنية (OEL)¹ أكبر من 1 ملجم/م³.

منتجات الأتربة من الفئة L، تشتمل على مادة فلتر تم اختبارها. أقصى درجة من النفاذية تبلغ 1%. لا توجد متطلبات خاصة للتخلص منها.

ملاحظة: راجع القوانين المحلية. حيث قد تفرض ضوابط على عمر المشغل.

السلامة للمنتجات ذات العزل المزدوج

تحذير: استخدم المنتج فقط كما هو موضح في هذا الدليل ومع الملحقات الموصى بها من الجهة المصنعة فقط.



تحذير: ينطبق على المملكة المتحدة فقط: اقرأ هذه التعليمات المهمة. تم إعداد تلك التعليمات مع إعطاء بالغ الأهمية للسلامة والكفاءة. يجب تدريب المشغل بواسطة معلم معتمد ويجب أن يفهم تعليمات التشغيل هذه. يجب أن يعرف المشغل كل القوانين واللوائح المرتبطة السارية عند وقت التشغيل.



تحذير: قبل توصيل المنتج: احرص على أن تكون فولطية المآخذ الرئيسي وتردد المآخذ الرئيسي لمصدر الطاقة متوافقين مع البيانات الموجودة على لوحة التقدير للمكثفة الكهربائية للاستخدام الرطب/الجاف.



تحذير: يشتمل هذا المنتج على عزل مزدوج. استخدم قطع الغيار من Husqvarna فقط. طالع التعليمات حول كيفية تنفيذ الصيانة في المنتجات ذات العزل المزدوج.



تحذير: يشتمل المنتج على سلك خاص. إذا تعرض السلك للنفث، فيجب استبداله بواسطة سلك من النوع ذاته. يتوفر ذلك في مراكز الخدمة المعتمدة ولدى الوكلاء المعتمدين ويجب تركيبه بواسطة فني معتمد.



تحذير: تتطلب صيانة منتج ذي عزل مزدوج المعرفة بالنظام. في المنتجات ذات العزل المزدوج، يتم توفير نظامين من العزل بدلاً من التأريض. لا يتم توفير طرق لتأريض في المنتج ذي العزل المزدوج ولا يجب



- لا تكس أي شيء يحترق أو يصدر دخاناً، مثل السجائر أو أعواد الثقاب أو الرماد الساخن.
- انتبه عند التنظيف على الدرج.
- إذا خرجت رغوة أو سائل من المنتج، فأوقف المنتج على الفور.
- لا تستخدم المنتج كمضخة مياه.
- قم بتوصيل المنتج بمقبس مأخذ رئيسي مؤرض بصورة صحيحة. يجب أن يشتمل مخرج المقبس وكابل التمديد على موصل واق يعمل (ينطبق فقط على المنتجات غير المزودة بعازل مزدوج).
- تأكد من وجود تدفق هواء جيد في منطقة العمل.

- لا تستخدم المنتج كسلم أو درج.
- عند استخدام أجهزة إزالة الغبار، يجب أن يكون معدل تغيير الهواء في الغرفة مناسباً في حال كان يتم نشر هواء العادم من المكثفة الكهربائية في الغرفة. التزم بالقوانين المحلية قبل الاستخدام.

- في ما يخص منتجات الأتربة من الفئة WDC 325L، L، أخبر المشغل ودرّبهُ قبل الاستخدام:

- كيفية استخدام المنتج.
- مخاطر المواد التي يتم التقاطها.
- التخلص الآمن من المواد التي يتم التقاطها.

- في ما يخص منتجات الأتربة من الفئة WDC 325L، L، ينطبق ما يلي:

- استخدم المنتج لتنظيف الأتربة والسوائل غير القابلة للاشتعال، والأتربة الخطرة التي لها قيمة حد

• لا تعرض سلك طاقة المأخذ الرئيسي للتلف (مثل القيادة فوقه أو سحبه أو سحقه).

• تحقق بصورة دورية لمعرفة ما إذا كان سلك الطاقة تالفاً أو تظهر عليه علامات القدم.

• إذا كان الكابل الكهربائي تالفاً، فيجب استبداله بواسطة موزع Husqvarna معتمد أو فني مؤهل مماثل لتجنب الأخطار.

• يجب عدم لف سلك إمداد الطاقة بأي حال من الأحوال حول الأصابع أو أي جزء آخر من جسم المشغل.

إضافة طريقة تأريض للجهاز يجب تنفيذ الصيانة بواسطة موظف خدمة معتمد. يجب أن تكون قطع الغيار الخاصة بمنتج ذي عزل مزدوج مماثلة للقطع التي يتم استبدالها. يشتمل المنتج ذو العزل المزدوج على كلمات مثل "DOUBLE INSULATION" أو "DOUBLE INSULATED". قد يتم أيضاً استخدام رمز على المنتج.

السلامة الكهربائية

• يوصى بتوصيل المكنتسة الكهربائية من خلال قاطع دائرة التيار المتخلف.

• رتبّ الأجزاء الكهربائية (المقاييس والقواسم والفارنات) وضع سلك التمديد حتى يتم الحفاظ على فئة الحماية.

• يجب أن تكون موصلات وفارنات أسلاك إمداد الطاقة وأسلاك التمديد مضادة للماء.

سلك التمديد

• في ما يخص سلك التمديد، استخدم فقط الإصدار المحدد بواسطة الجهة المصنّعة أو إصداراً ذا جودة أعلى.

• عند استخدام سلك تمديد، تحقق من الحد الأدنى للمقاطع العرضية للكابل:

طول الكابل	المقطع العرضي	
	> 16 أمبير	> 25 أمبير
> 20 متراً	1.5 مم ²	2.5 مم ²
20-50 متراً	2.5 مم ²	4.0 مم ²

⚠ تنبيه: تم تصميم مقبس الجهاز (في بعض الموديلات فقط) للأغراض المحددة في تعليمات التشغيل فقط. قد يتسبب توصيل أجهزة مختلفة في حدوث تلف.

• قبل توصيل الجهاز، أوقف المنتج والجهاز الذي سيتم توصيله دائماً.

• اقرأ تعليمات التشغيل الخاصة بالجهاز الذي سيتم توصيله واتبع ملاحظات السلامة الواردة فيها.

⚠ تحذير: يشتمل القسم العلوي من المكنتسة الكهربائية على مكونات مكهربة. تؤدي ملامسة المكونات المكهربة إلى حدوث إصابات خطيرة أو حتى مميتة.

• لا ترش الماء مطلقاً على القسم العلوي من المكنتسة الكهربائية.

⚠ تنبيه: تلف بسبب فولطية غير مستقرة في المأخذ الرئيسي. قد يتعرض الجهاز للتلّف بسبب توصيله بفولطية مأخذ رئيسي غير مستقرة.

⚠ تحذير: صدمة كهربائية بسبب استخدام سلك معيب للتوصيل بالمأخذ الرئيسي. يؤدي لمس سلك معيب للتوصيل بمأخذ رئيسي إلى حدوث إصابات خطيرة أو حتى مميتة.

• احرص على أن تكون فولطية المأخذ الرئيسي وتردد المأخذ الرئيسي لمصدر الطاقة متوافقين مع البيانات

- استخدم فقط قطع الغيار والملحقات من Husqvarna.
- استخدم فقط الفرشات المرفقة مع المنتج أو المشار إليها في دليل المشغل.

الأجواء القابلة للانفجار أو الاشتعال

تنبيه: لا تستخدم المنتج في أجواء قابلة للانفجار أو الاشتعال. لا تستخدم المنتج بالقرب من السوائل أو الغازات أو الأدخنة التي قد تتسبب في وجود أجواء انفجارية.



وظيفة المروحة

تحذير: قد تتسبب الأثرية في حدوث مشاكل صحية. يشتمل المنتج على وظيفة المروحة. لا تنفخ الهواء الصادر بصورة عشوائية في مناطق مغلقة. استخدم وظيفة المروحة باستخدام خرطوم نظيف فقط.



إرشادات السلامة المتعلقة بالصيانة

تحذير: اقرأ كل الإرشادات التحذيرية التالية قبل تنفيذ الصيانة على المنتج.



إفراغ حاوية الأوساخ

تنبيه: قد تكون المواد التي يتم تنظيفها خطيرة على البيئة. تخلص من الأوساخ بالرجوع إلى اللوائح القانونية.



الموجودة على لوحة التقدير للمكنسة الكهربائية للاستخدام الرطب/الجاف.

إرشادات السلامة المتعلقة بالتشغيل

تنظيف السوائل

تنبيه: لا تنظف السوائل القابلة للاشتعال.



- فك كيس الفلتر قبل بدء تنظيف السوائل. تحقق من أن حد مستوى الماء أو الطفو يعمل بطريقة صحيحة.
- استخدم عنصر فلتر خاصاً أو مصفاة فلتر خاصة.
- إذا خرجت رغوة من المنتج، فأوقف العمل على الفور وأفرغ الخزان.

مواد خطيرة

تحذير: لا تنظف المواد الخطرة. يمكن أن يسبب ذلك حدوث إصابات.



• لا تنظف المواد التالية:

- الأثرية الخطرة
- المواد الساخنة، مثل السجانر المشتعلة والرماد الساخن.
- السوائل القابلة للاشتعال أو الانفجارية أو القوية، مثل البنزين والمذيبات والأحماض والمواد القلوية.
- الأثرية القابلة للاشتعال والانفجارية، مثل أثرية الماغنيسيوم أو الألومنيوم.

قطع الغيار والملحقات

تنبيه: استخدم فقط قطع غيار وملحقات لسلامة المنتج.



التجميع

5. ركب جزء الورق المقوى الخاص بكيس الفلتر في مدخل المكنسة الكهربائية. تحقق من تجاوز الغشاء المطاطي لارتفاع مدخل المكنسة الكهربائية. (الشكل 11)
6. ضع وحدة الموتور على حاوية الأوساخ واقفل المشابك. (الشكل 12)

تركيب الملحقات

1. ضع الملحقات في موضعها لتسهيل الوصول إليها. (الشكل 13)
2. ركب صندوق الأدوات في الجزء الخلفي من المنتج. (الشكل 14)
3. ركب حامل الكابل والخرطوم في الجزء الخلفي من المنتج. (الشكل 15)

تركيب الخرطوم

1. ضع الخرطوم في مدخل المكنسة الكهربائية على الجزء الأمامي من المنتج. (الشكل 16)
2. قم بتوصيل الجهاز بالمأخذ الرئيسي.

تحذير: اقرأ فصل السلامة وافهمه قبل تجميع المنتج.



إجراءات يجب القيام بها قبل التركيب

1. افتح المشابك وارفع وحدة الموتور. (الشكل 8)
2. فك الملحقات من حاوية الأوساخ. (الشكل 9)
3. تحقق من تضمين كل الأجزاء. اطلع على نظرة عامة على المنتج. الأدوات اللازمة: مفك براغي.

تركيب كيس الفلتر

1. ضع المفتاح الرئيسي على وضع "0".
2. افصل المنتج. (الشكل 10)
3. افتح المشابك وارفع وحدة الموتور. (الشكل 8)
4. ضع كيس الفلتر في حاوية الأوساخ.

3. ضع المفتاح الرئيسي على وضع "I". (الشكل 17)
4. اضبط طاقة الشفط من المقبض أو بواسطة المفتاح الرئيسي*.
*في بعض الموديلات فقط. (الشكل 18)
2. استخدم مفك براغي لتركيب حامل الأنابيب عند الارتفاع الصحيح
لأنبوب التمديد. (الشكل 19)
3. ضع أنبوب التمديد عند الحوامل على الجزء الخلفي من المنتج.
(الشكل 20)

تركيب حامل الأنابيب

1. حرّك حامل الأنابيب رأسياً على أنبوب التمديد.

التشغيل

مقدمة



تحذير: قبل تشغيل المنتج، عليك قراءة فصل السلامة وفهمه.

لتشغيل المنتج

- قبل استخدام المنتج، تأكد من أن التردد والفولطية الموصَّحَين على لوحة التقديرات ممانئان لفولطية المآخذ الرئيسي.
1. تأكد من أن المفتاح الرئيسي في الوضع "0". (الشكل 10)
 2. تحقق من وجود الفلاتر الصحيحة في موضعها داخل المنتج.
 3. ضع الخرطوم في مدخل المكثسة الكهربائية عند الجزء الأمامي من المنتج. اضغط على الخرطوم حتى يتم تركيبه بإحكام في موضعه في مدخل المكثسة الكهربائية. (الشكل 16)
 4. قم بتوصيل أنبوبي التمديد بالمقبض. قم بثنى أنابيب التمديد للتحقق من تركيبها في وضع صحيح.
 5. ركب الفوهة في أنبوب التمديد. اختر الفوهة بعد نوع المادة التي سيتم تنظيفها.
 6. قم بتوصيل القابس بالمآخذ الرئيسي.
 7. أدر المفتاح الرئيسي إلى الوضع "I" لتشغيل المنتج. (الشكل 17)

إيقاف المنتج

1. أدر المفتاح الرئيسي إلى الوضع "0" لإيقاف المنتج.
2. افصل القابس من المآخذ الرئيسي. (الشكل 10)

لاستخدام وظيفة النفخ

1. ضع الخرطوم في الفتحة الموجودة على الجزء الخلفي من المنتج. (الشكل 21)
2. قم بتوصيل القابس بالمآخذ الرئيسي.
3. ضع المفتاح الرئيسي على وضع "I". (الشكل 17)
4. اضبط طاقة النفخ من المقبض أو بواسطة المفتاح الرئيسي*.
*في بعض الموديلات فقط. (الشكل 22)

لاستخدام مقبض أداة الطاقة*

*في بعض الموديلات فقط.



تنبيه: اتبع تعليمات التشغيل وتعليمات السلامة للأجهزة المتصلة بمقبض أداة الطاقة.

ملاحظة: يرد الحد الأقصى لاستهلاك الطاقة للأداة المتصلة في القسم البيانات الفنية في الصفحة 26.

1. تأكد من أن مفتاح أداة الطاقة في الوضع "0". (الشكل 23)
2. افصل المقبض من الخرطوم. اضغط على الفتحين (A) في طرف الخرطوم واسحب المقبض (B). (الشكل 24)
3. قم بتوصيل مهابى أداة الطاقة. (الشكل 25)
4. اضبط طاقة الشفط في مهابى أداة الطاقة أو بواسطة المفتاح الرئيسي*.
*في بعض الموديلات فقط. (الشكل 26)
5. قم بتوصيل الخرطوم في مدخل المكثسة الكهربائية في المنتج وبأداة الطاقة. قم بتوصيل كابل أداة الطاقة بالوصلة الكهربائية للمنتج. (الشكل 27)
6. تأكد من أن مفتاح أداة الطاقة في الوضع "0". (الشكل 23)
7. أدر المفتاح الرئيسي في المنتج إلى وضع أداة الطاقة (A).
8. ضع مفتاح أداة الطاقة على الوضع "I" (B). (الشكل 28)

ملاحظة: يمكن تشغيل المنتج وإيقافه من المفتاح الرئيسي في المنتج (A) أو في أداة الطاقة (B).

لتنظيف السوائل

ملاحظة: يشتمل المنتج على نظام طفو يعمل على إيقاف تدفق الهواء عبر المنتج عند الحد الأقصى لمستوى السائل.



تنبيه: لا تنظف السوائل بدون وجود نظام الطفو.

1. تأكد من وجود الفلتر وأداة شد الفلتر (نظام الطفو) في موضعهما، انظر *استبدال الفلتر في الصفحة 24*. فك كيس الفلتر إذا كان مرغبا.
2. استخدم فوهة الأرضية لتنظيف السوائل.
3. عند أقصى مستوى للسوائل، يتم سماع تغير ملحوظ في صوت الموتور. تنخفض قدرة الشفط.
4. أوقف المنتج، انظر *لإيقاف المنتج في الصفحة 23*.
5. أفرغ حاوية الأوساخ، انظر *لإفراغ حاوية الأوساخ بعد شفط السوائل في الصفحة 24*.

الصيانة

مقدمة

تحذير: قبل تنفيذ الصيانة، يجب عليك قراءة فصل السلامة وفهمه.



لتنفيذ كل أعمال الصيانة والإصلاح في المنتج، يلزم الحصول على تدريب خاص. تضمن توفر عمليات الإصلاح والصيانة الاحترافية. إذا لم يكن الوكيل لديك يعمل كوكيل خدمة، فتحدث إليه للحصول على معلومات حول أقرب وكيل خدمة.

الخدمة والفحص بصورة دورية

- يجب تنفيذ الفحص والخدمة بصورة دورية للمنتج بواسطة فني مؤهل مع الرجوع إلى القوانين واللوائح المرتبطة.
- يجب تنفيذ الاختبارات الكهربائية لاستمرارية التيار الأرضي ومقاومة العزل وحالة السلك المرن بصورة متكررة.
- في حالة اكتشاف عطل، فإنه يجب إيقاف المنتج من الخدمة وإصلاحه بواسطة فني خدمة معتمد.

صيانة منتجات الأثرية من الفئة L

ينطبق ما يلي على منتجات الأثرية من الفئة WDC 325L L:

- أثناء التنظف والصيانة، استخدم المنتج بأمان لموظفي الصيانة أو للأشخاص الآخرين.
- في منطقة الصيانة:
- استخدم تدفق الهواء الإيجابي للمفلتر.
- استخدم الملابس الواقية.
- نظّف منطقة الصيانة حتى لا تخرج أي من المواد الصارة إلى مناطق أخرى.
- إذا تعذر تنظيف الأجزاء بصورة مرضية أثناء الصيانة والإصلاح:
- ضع الأجزاء في حقائب معزولة بطريقة صحيحة.
- تخلص من الأجزاء بالرجوع إلى اللوائح القانونية.

إفراغ حاوية الأوساخ بعد شفط السوائل.

1. أوقف المنتج، انظر لإيقاف المنتج في الصفحة 23.
2. افصل الخرطوم من مدخل المكنسة الكهربائية عن طريق سحب الخرطوم للخارج.
3. افتح المشابك وارفع وحدة الموتور. (الشكل 8)
4. أفرغ حاوية الأوساخ عن طريق إمالتها إلى الخلف وضع السوائل في مصرف أرضي. * يتوفر المقبض في بعض الموديلات فقط. (الشكل 29)

تنبيه: أفرغ حاوية الأوساخ ونظام الطفو ونظفهما دائماً بعد شفط السوائل. لا تشغط السوائل بدون وجود نظام الطفو والمفلتر في المنتج.



5. ضع وحدة الموتور على حاوية الأوساخ واقفل المشابك. (الشكل 12)

إفراغ حاوية الأوساخ بعد الشفط الجاف

1. أوقف المنتج، انظر لإيقاف المنتج في الصفحة 23.

2. افتح المشابك وارفع وحدة الموتور. (الشكل 8)
3. تحقق لمعرفة ما إذا كان كيس الفلتر ممتلئاً أم لا.
4. فُك كيس الفلتر إذا كان ممتلئاً.



تنبيه: لا تشغط المواد الجافة بدون وجود الفلتر وكيس الفلتر في مكانهما.

5. ركب كيس فلتر جديد، انظر لتركيب كيس الفلتر في الصفحة 22.

ملاحظة: تعتمد كفاءة شفط المنتج على أبعاد وجود الفلتر وكيس الفلتر. استخدم فلتر وأكياس فلتر Husqvarna فقط.

6. ضع وحدة الموتور على حاوية الأوساخ واقفل المشابك. (الشكل 12)

تنظيف الفلتر، ونظام تنظيف الفلتر

يشتمل المنتج على نظام تنظيف فلتر نصف أوتوماتيكي. استخدم نظام تنظيف الفلتر بصورة دورية، على الأقل عندما لا يصبح أداء التنظيف كافياً. الاستخدام المنتظم لنظام تنظيف الفلتر يزيد من عمر الفلتر.

1. نظّف الفلتر عندما لا تكون قوة الشفط كافية. (الشكل 30)
2. ضع الخرطوم في مدخل المكنسة الكهربائية على الجزء الأمامي من المنتج. (الشكل 16)
3. قم بتوصيل الجهاز بالمأخذ الرئيسي.
4. ضع المفتاح الرئيسي على وضع "I". (الشكل 17)
5. ضع المقبض في يدك (A) لاستخدام الشفط على يدك.
6. اضغط على زر تنظيف الفلتر 3 مرات بقبضة يدك (B). (الشكل 31)
7. إذا لم تكن قوة الشفط كافية، فقم بفك الفلتر، انظر استبدال الفلتر في الصفحة 24.
8. هزّ الفلتر أو نظّفه بالفرشاة أو اغسله لتنظيفه.
9. اترك الفلتر ليجف.
10. ركب الفلتر، انظر لتركيب كيس الفلتر في الصفحة 22.

تنظيف المنتج من الخارج

1. أوقف المنتج، انظر لإيقاف المنتج في الصفحة 23.
2. نظّف المنتج بقطعة قماش جافة وكمية صغيرة من الرذاذ الملعب.

استبدال الفلتر

هذا المنتج مصمّم للعمل الشاق المستمر. وفقاً لعدد ساعات العمل، يجب استبدال فلتر الأثرية.

1. أوقف المنتج، انظر لإيقاف المنتج في الصفحة 23.
2. افتح المشابك وارفع وحدة الموتور. (الشكل 8)
3. قم بإدارة أداة شد الفلتر (A) عكس اتجاه عقارب الساعة واسحبها للخلف. اسحب الفلتر (B) للخارج. (الشكل 32)
4. ركب الفلتر الجديد (A). ركب أداة شد الفلتر (B) وأدرها في اتجاه عقارب الساعة. (الشكل 33)
5. تأكد من أن الفلتر وأداة شد الفلتر في موضعهما. (الشكل 34)

5. ارفع كيس الفلتر (A) وتخلص منه.
 6. صنع كيس الفلتر الجديد في حاوية الأوساخ (B).
 7. ركب جزء الورق المقوى الخاص بكيس الفلتر في مدخل المكثفة الكهربائية (C). تحقق من تجاوز الغشاء المطاطي لارتفاع مدخل المكثفة الكهربائية. (الشكل 35)
 8. صنع وحدة الموتور على حاوية الأوساخ واقفل المشابك. (الشكل 12)
 6. صنع وحدة الموتور على حاوية الأوساخ واقفل المشابك. (الشكل 12)
- لاستبدال كيس الفلتر**
1. أوقف المنتج، انظر لإيقاف المنتج في الصفحة 23.
 2. افتح المشابك وارفع وحدة الموتور. (الشكل 8)
 3. تحقق لمعرفة ما إذا كان كيس الفلتر ممتلئاً أم لا. فك كيس الفلتر إذا كان ممتلئاً.
 4. اسحب جزء الورق المقوى الخاص بكيس الفلتر القديم من مدخل المكثفة الكهربائية.

النقل والتخزين وطريقة التخلص من المنتج

النقل والتخزين

- بعد الاستخدام:
- أفضل القابس من المأخذ الرئيسي أثناء عدم تشغيل المنتج.
- لف السلك بداية من المنتج.
- استخدم حامل الكابل لتركيب السلك على وحدة الموتور.
- لف الخرطوم.
- استخدم حامل الخرطوم لتركيب الخرطوم على وحدة الموتور.
- النقل:
- أغلق كل المشابك على وحدة الموتور.
- لا تقم بإمالة المنتج في حال وجود سوائل داخل حاوية الأوساخ.
- لا تستخدم خطاف رافعة لرفع المنتج.
- التخزين:
- حافظ على المنتج في منطقة جافة وخالية من الصقيع.

إعادة تدوير المنتج

- اتبع الخطوات التالية لجعل المنتج غير صالح لإعادة الاستخدام.
1. أفضل القابس من المأخذ الرئيسي.
 2. اقطع سلك الطاقة.
 3. لا تتخلص من المنتج مع المخلفات المنزلية العادية.

التخلص (وفقاً للتوجيه 2012/19/EC):

- يجب عدم إضافة المنتج إلى المخلفات المنزلية العادية. يجب التخلص منه وفقاً للوائح البيئة المحلية.
- احرص على التخلص من المنتج من خلال مركز إعادة تدوير المخلفات لديك.
- (الشكل 5)

البيانات الفنية

البيانات الفنية

الولايات المتحدة الأمريكية	أستراليا/نيوزلندا		بريطانيا		الاتحاد الأوروبي/سويسرا		
	WDC 225	WDC 325L	WDC 220	WDC 325L	WDC 220	WDC 325L	
110-120	220-240	220-240	220-240	220-240	220-240	220-240	القولطية، فولط
1000	1000	1000	1000	1000	1200	1000	الطاقة P _{iec} ، واط
-	1300	-	1900	-	2400 1100/	-	الحمل المتصل لمقبس الجهاز، واط
50/60	50-60		50/60				التردد، هرتز
15	10	10	13	13	16/10	10	الانصهار، أمبير
IPX4							فئة الحماية (الرطوبة والأثرية)
II (الشكل 4)	I	II (الشكل 4)	I	II (الشكل 4)	I	II (الشكل 4)	فئة الحماية (كهربية)
3200	3600	3600	3600	3600	3700	3600	تدفق حجم الهواء، لتر/دقيقة
113	127	127	127	127	130	127	تدفق حجم الهواء، قدم مكعب في الدقيقة
210	210	210	210	210	235	210	الكنس، ملي بار
72							مستوى ضغط الصوت عند 1 متر، EN 60704-1، ديسيبل 2 -/+ (A)
1,5>							الاهتزاز ISO 5349، م/س ² -/+ 1
7,5	8,5	7,5	8,5	7,5	8,5	7,5	الوزن، كجم
377	376	377	376	377	376	377	العرض، مم
392	392	385	392	385	392	385	العمق، مم
550	530	506	530	506	533	506	الارتفاع، مم

بيان التوافق مع توجيهات المفوضية الأوروبية (EC)

بيان التوافق مع توجيهات الاتحاد الأوروبي (EC)

تعلن **Husqvarna AB**, العنوان: SE-561 82 Huskvarna, Sweden, رقم الهاتف: +46-36-146500, أن **المكنسة الكهربائية Husqvarna WDC 220, 3325L** تتوافق مع متطلبات توجيه المجلس:

- بتاريخ 17 مايو 2006, "بخصوص الماكينات", رقم **2006/42/EC**
- بتاريخ 26 فبراير 2014, "بخصوص التوافق الكهرومغناطيسي", رقم **2014/30/EU**

لقد تم تطبيق المعايير التالية:

EN 60335-1:2012+A11:2014, EN 60335-2-69:2012, EN 55014-1:2006+A1:2009+A2:2011, EN 55014-2:2015, EN 61000-3-2:2014, EN 61000-3-3:2013

ما لم يُنص على خلاف ذلك، تمثل المعايير المذكورة أعلاه أحدث الإصدارات المنشورة.

Huskvarna, 2018-08-01



Cornelia Ekbladh, مديرة إدارة المنتجات

Съдържание

Въведение.....	28	Поддръжка.....	36
Безопасност.....	29	Транспортиране, съхранение и изхвърляне.....	37
Монтиране.....	34	Технически характеристики.....	39
Операция.....	35	Декларация за съответствие на ЕО.....	40

Въведение

Описание на продукта

Този продукт е мултифункционална прахосмукачка, създадена за професионална употреба.

Предназначение

Използвайте продукта за почистване на сухи, незапалителни прах и течности.

Прочетете и се съобразявайте с инструкциите за безопасност и инструкциите за оператора.

Извършвайте поддръжка и ремонт на продукта само както е посочено от производителя.

Производителят не носи отговорност за щети, възникнали в резултат на неправилно използване, неправилна поддръжка или неправилен ремонт.

Общ преглед на продукта WDC 220, WDC 225

(Фиг. 1)

1. Главен прекъсвач
2. Почистваща система на филтъра
3. Смукателен отвор
4. Колела
5. Държач за кабел, държач за маркуч
6. Торбичка за прах

7. Накрайник
8. Ръкохватка
9. Накрайник за под
10. Накрайник за тесни места
11. Инструкция за експлоатация
12. Удължителна тръба
13. Маркуч

Общ преглед на продукта WDC 325L

(Фиг. 2)

1. Главен прекъсвач
2. Почистваща система на филтъра
3. Смукателен отвор
4. Колела
5. Държач за кабел, държач за маркуч
6. Торбичка за прах
7. Накрайник
8. Ръкохватка
9. Накрайник за под
10. Накрайник за тесни места
11. Инструкция за експлоатация
12. Удължителна тръба
13. Маркуч
14. Адаптер на електрически инструмент
15. Контакт за електрически инструмент
16. Кутия за инструменти

(Фиг. 4) Уредът има двойна изолация.

(Фиг. 5) Не изхвърляйте уреда с битовия отпадък. Съблюдавайте местните изисквания.

(Фиг. 6) Продуктът е в съответствие с приложимите директиви на ЕО.

Забележка: Останалите символи/лепенки на продукта се отнасят до изисквания по отношение на сертификати за други търговски зони.

Клас на запрашаване L

(Фиг. 7)

Съблюдавайте съветите за безопасност и свързаните с тях мерки за клас на запрашаване L.

Отговорност за продукта

Както е посочено в законите за отговорност за вреди, причинени от стоки, ние не носим отговорност за щети, причинени от нашия продукт, ако:

- продуктът е неправилно ремонтиран.

Символи върху продукта

(Фиг. 3) Прочетете внимателно ръководството за оператора и се уверете, че разбирате инструкциите, преди да използвате машината.

- продуктът е ремонтиран с части, които не са от производителя или не са одобрени от производителя.
- продуктът има принадлежност, която не е от производителя или не е одобрена от производителя.
- продуктът не е ремонтиран в одобрен сервизен център или от одобрен орган.

Безопасност

Дефиниции за безопасност

Предупреждения, знаци за внимание и бележки се използват за указване на особено важни части на инструкцията.



ПРЕДУПРЕЖДЕНИЕ: Използва се, ако има опасност от нараняване или смърт за оператора или за околните, ако не се спазват инструкциите в ръководството.



ВНИМАНИЕ: Използва се, ако има опасност от повреждане на машината, други материали или съседната зона, ако не се спазват инструкциите в ръководството.

Забележка: Използва се за предоставяне на повече информация, която е необходима в дадена ситуация.

Общи инструкции за безопасност



ПРЕДУПРЕЖДЕНИЕ: Прочетете следващите предупредителни указания, преди да използвате машината.

- Ако продуктът и/или дадена принадлежност бъдат повредени, трябва да се ремонтират в одобрен сервизен център. Не използвайте повреден продукт.
- Не позволявайте на деца да работят с продукта. Не позволявайте на лица, които не са запознати с инструкциите, да работят или да извършват техническа поддръжка на продукта.
- С продукта трябва да се работи само под наблюдение.
- Уверете се, че винаги наблюдавате лица с намален физически или умствен капацитет, които използват продукта.
- Децата трябва да бъдат наблюдавани, за да се гарантира, че не си играят с продукта.
- Не използвайте опасни работни процедури.
- Не използвайте продукта, без филтрите да са поставени в правилно положение.
- Спрете продукта и извадете щепсела от контакта в следните ситуации:
 - Преди почистване или техническа поддръжка.
 - Преди ремонт.
 - Ако на мястото има пяна или течност.

- Не се отдалечавайте от продукта, когато е включен в мрежата. Извадете щепсела от контакта, когато уредът не работи и преди техническа поддръжка.
- Не използвайте уреда, ако шнура или щепселът е повреден. Издърпайте щепсела, а не шнура, за да изключите уреда. Не дръжте щепсела или продукта с мокри ръце. Преди да изключите, нулирайте всички органи за управление.
- Не дърпайте продукта за шнура. Не използвайте шнура като дръжка. Не затваряйте врата върху шнура, не придърпвайте шнура около остри ръбове или ъгли. Не преминавайте с продукта през шнура. Дръжте шнура далеч от горещи повърхности.
- Пазете косата, широките дрехи, пръстите и всички части на тялото далеч от отворите и движещите се части. Не поставяйте обекти в отворите и не използвайте при блокирани отвори. Поддържайте отворите без прах, мъх, косми и друго, което може да намали потока от въздух.
- Не изсмуквайте опасен прах с WDC 220, WDC 225.
- Не изсмуквайте запалителни материали или течности, като например бензин. Не използвайте продукта на места, на които може да има подобни продукти.
- Не събирайте с прахосмукачката нищо, което гори или дими, като цигари, кибритени клечки или гореща пепел.
- Внимавайте, когато чистите на стълби.
- Ако от продукта излезе пяна или течност, незабавно го спрете.
- Не използвайте продукта като помпа за вода.
- Включете продукта в правилно заземен електрически контакт. Контактът и удължителният кабел трябва да имат действащ защитен проводник (важи само за продуктите без двойна изолация).
- Уверете се, че на работната площ има добър въздушен поток.
- Не използвайте продукта като стълба или сгъваема стълба.

- Когато се използват прахоуловители, дебитът на обмяна на въздуха в стаята трябва да е адекватен, ако изходящият въздух от прахосмукачката се издухва вътре в стаята. Преди употреба се съобразявайте с националните разпоредби.

- За продукти от клас на запрашаване L, WDC 325L, преди ползване запознайте и обучете оператора:

- Как се използва продуктът.
- Какви са рисковете от материала, който ще бъде събиран.
- Безопасно изхвърляне на събрания материал.

- За продуктите от клас на запрашаване L, WDC 325L, важи следното:

- Използвайте продукта за почистване на сух незапалителни прах и точности, опасни прахове с OEL¹⁾ стойност > 1mg/m³. Клас на запрашаване L (IEC 60335-2-69). Прах с този клас има OEL¹⁾ стойности > 1mg/m³.
- Продуктите с клас на запрашаване L имат тестван материал на филтъра. Максималната

степен на пропускливост е 1%. Няма специални изисквания за изхвърлянето.

Забележка: Направете справка с местните закони. Те може да постановяват възрастта на оператора.

Безопасност на продуктите с двойна изолация



ПРЕДУПРЕЖДЕНИЕ:

Използвайте продукта само според указанията в тези инструкции и само с препоръчаните от производителя принадлежности.



ПРЕДУПРЕЖДЕНИЕ: Важи единствено за Обединеното кралство:

Прочетете тези важни инструкции. Тези инструкции са подготвени, като се отдава първостепенна важност на безопасността и ефективността. Операторът трябва да бъде обучен от одобрен инструктор и трябва да разбира тези инструкции за работа. Операторът трябва да познава всички съответстващи разпоредби и закони, актуални към времето на работа.



ПРЕДУПРЕЖДЕНИЕ: Преди да включите продукта:

Уверете се, че напрежението и честотата на захранващата мрежа съвпадат с данните на типовата табелка на прахосмукачката за сухо/мокро почистване.



ПРЕДУПРЕЖДЕНИЕ: Този продукт има двойна изолация.

Използвайте само резервни части на Husqvarna. Вижте инструкциите как да обслужвате продуктите с двойна изолация.



ПРЕДУПРЕЖДЕНИЕ: Продуктът има специален шнур.

Ако шнурът е повреден, той трябва да бъде сменен с шнур от същия тип. Това може да се направи в одобрени сервизни центрове и дистрибутори и трябва да се монтира от квалифициран персонал.



ПРЕДУПРЕЖДЕНИЕ:

Техническото обслужване на продукт с двойна изолация изисква познаване на системата. При продукти с двойна изолация се предоставят две системи на изолация вместо заземяване. На продукта с двойна изолация няма средства за заземяване, нито трябва да се добавя към него средство за заземяване. Техническото обслужване следва да се извършва единствено от обучен сервизен персонал. Резервните части за продукт с двойна изолация трябва да са идентични на заменяните части. Продуктът с двойна изолация е маркиран с думите „DOUBLE INSULATION“ (двойна изолация) или „DOUBLE INSULATED“ (двойно изолиран). Символ също може да се използва на продукта.

Електрическа безопасност

- Препоръчително е прахосмукачката да се свързва с мрежата посредством прекъсвач на остатъчен ток.
- Подгответе електрическите части (контакти, щепсели и съединители) и прокарайте удължителния кабел така, че да се съблюдава класът на защита.
- Конекторите и съединителите на захранващите шнури и удължителните кабели трябва да бъдат водонепропускливи.

Удължителни кабели

- За удължителен кабел използвайте само версията, посочена от производителя, или друга с по-високо качество.
- Когато използвате удължителен кабел, проверете минималните сечения на кабела:

Дължина на кабела	Напречно сечение	
	< 16 A	< 25 A
< 20 m	1,5 mm ²	2,5 mm ²
20 – 50 m	2,5 mm ²	4,0 mm ²



ПРЕДУПРЕЖДЕНИЕ:

Горната част на прахосмукачката съдържа елементи под напрежение. Контактът с елементи под напрежение води

до сериозни или дори смъртоносни наранявания.

- Никога не пръскайте с вода горната част на прахосмукачката.



ПРЕДУПРЕЖДЕНИЕ:

Електрически удар поради неизправен съединителен кабел. Допирът до неизправен свързващ кабел може да доведе до сериозни или дори смъртоносни наранявания.

- Не повреждайте захранващия кабел (например като го прегазвате, дърпате го или го притискате).
- Редовно проверявайте дали захранващият шнур е повреден или има признаци на стареене.
- Ако електрическият кабел е повреден, той трябва да бъде заменен от оторизиран дистрибутор на Husqvarna или подобно квалифицирано лице, за да се избегне опасност.
- В никакъв случай захранващият шнур не бива

да се увива около пръстите или друга част от тялото на оператора.



ВНИМАНИЕ: Контактът за уреди (само на някои модели) е предназначен единствено за целите, посочени в инструкциите за работа. Включването на различни уреди може да доведе до повреда.

- Преди да включите уред, винаги спирайте продукта и уреда, който ще включвате.
- Прочетете инструкциите за работа на уреда, който ще включвате, и съблюдавайте информацията за безопасност, която се съдържа в тях.



ВНИМАНИЕ: Повреда поради неподходящо захранващо напрежение. Уредът може да се повреди в резултат на свързването му с неподходящо захранващо напрежение.

- Уверете се, че напрежението и честотата

на захранващата мрежа съвпадат с данните на типовата табелка на прахосмукачката за сухо/ мокро почистване.

Инструкции за безопасност за работа

Почистване на течности



ВНИМАНИЕ: Не почиствайте запалителни течности.

- Извадете торбичката за прах, преди да започнете почистване на течности. Проверете дали поплавъкът или ограничителят за нивото на водата функционират правилно.
- Използвайте специален филтър или мрежест филтър.
- Ако от уреда започне да излиза пяна, незабавно преустановете работа и изпразнете резервоара.

Опасни материали



ПРЕДУПРЕЖДЕНИЕ: Не почиствайте опасни материали. Това може да причини наранявания.

- Не почиствайте следните материали:
 - опасен прах;
 - горещи материали, например неизгасени цигари и гореща пепел;
 - запалими, експлозивни, агресивни течности, като например бензин, разреждители, киселини и основи;
 - запалим, експлозивен прах, като например магнезиев или алуминиев прах.

Резервни части и принадлежности



ВНИМАНИЕ: Използвайте само резервни части и принадлежности на , за да гарантирате безопасността на уреда.

- Използвайте само резервни части и принадлежности от Husqvarna.
- Използвайте само четките, предоставени с уреда или посочени в инструкцията за експлоатация.

Експлозивна или запалима атмосфера



ВНИМАНИЕ: Не използвайте продукта в експлозивна или запалима атмосфера. Не използвайте уреда близо

до течности, газове или пари, които могат да предизвикат запалима атмосфера.

Функция за издухване



ПРЕДУПРЕЖДЕНИЕ: Прахът може да предизвика здравословни проблеми. Уредът разполага с функция за издухване. Не издухвайте въздух безцелно в затворени помещения. Използвайте функцията за издухване само с чист маркуч.

Инструкции за безопасност при техническо обслужване



ПРЕДУПРЕЖДЕНИЕ: Прочетете всички следващи предупредителни инструкции, преди да извършвате техническо обслужване на продукта.

Монтиране



ПРЕДУПРЕЖДЕНИЕ: Прочетете и разберете главата за безопасност, преди да монтирате продукта.

Извършете следното преди монтажа

1. Освободете ключалките и извадете модула на мотора. (Фиг. 8)
2. Извадете принадлежностите от контейнера за отпадъци. (Фиг. 9)
3. Уверете се, че са налични всички части. Запознайте се с общия преглед на продукта. Необходими инструменти: Отвертка.

За монтаж на торбичката за прах

1. Поставете главния прекъсвач на позиция „0“.
2. Изключете продукта от мрежата. (Фиг. 10)
3. Освободете ключалките и извадете модула на мотора. (Фиг. 8)
4. Поставете торбичката за прах в контейнера за отпадъци.
5. Прикрепете картонената част на торбичката за прах към смукателния отвор. Уверете се, че гумената мембрана е преминала от другата страна на издатината на смукателния отвор. (Фиг. 11)
6. Поставете мотора върху контейнера за отпадъци и натиснете ключалките. (Фиг. 12)

За да изпразните контейнера за отпадъци



ВНИМАНИЕ: Събраният материал може да бъде опасен за околната среда. Извършвайте отпадъците съобразно действащото законодателство.

За да монтирате принадлежностите

1. Поставете принадлежностите на мястото им, за да имате лесен достъп. (Фиг. 13)
2. Прикрепете сандъчето с инструменти на гърба на уреда. (Фиг. 14)
3. Монтирайте държача за кабела и маркуча на гърба на уреда. (Фиг. 15)

За монтаж на маркуча

1. Поставете маркуча в смукателния отвор на предната страна на уреда. (Фиг. 16)
2. Включете уреда в мрежата.
3. Поставете главния прекъсвач на позиция „I“. (Фиг. 17)
4. Регулирайте смукателната мощност от дръжката или от главния прекъсвач*. *Само при някои модели. (Фиг. 18)

За монтаж на държача на тръбата

1. Движете държача на тръбата вертикално по удължителната тръба.
2. С помощта на отвертка монтирайте държача на подходяща височина на удължителната тръба. (Фиг. 19)
3. Дръжте удължителната тръба в държачите на задната част на уреда. (Фиг. 20)

Операция

Въведение



ПРЕДУПРЕЖДЕНИЕ: Преди работа с продукта трябва да прочетете и разберете главата за безопасност.

За стартиране на продукта

Преди използване на уреда, проверете дали честотата и напрежението върху типовата табелка съответстват на местната електроразпределителна мрежа.

1. Проверете дали главният прекъсвач е в позиция „0“. (Фиг. 10)
2. Проверете дали в продукта са поставени правилните филтри.
3. Поставете маркуча в смукателния отвор на предната страна на уреда. Избухайте маркуча напред, докато прилегне плътно към смукателния отвор. (Фиг. 16)
4. Свържете двете удължителни тръби с дръжката. Раздвижете удължителните тръби, за да се уверите, че са поставени правилно.
5. Поставете накрайник на удължителната тръба. Изберете накрайника в зависимост от типа материал, който ще почиствате.
6. Включете щепсела в мрежата.
7. Поставете главния прекъсвач на позиция „I“, за да стартирате уреда. (Фиг. 17)

Спиране на уреда

1. Поставете главния прекъсвач на позиция „0“, за да спрете уреда.
2. Извадете щепсела от електрозахранващата мрежа. (Фиг. 10)

За да използвате функцията за издухване

1. Поставете маркуча в отвора на задната страна на уреда. (Фиг. 21)
2. Включете щепсела в мрежата.
3. Поставете главния прекъсвач на позиция „I“. (Фиг. 17)
4. Регулирайте силата на издухване на въздух от дръжката или от главния прекъсвач*. *Само при някои модели. (Фиг. 22)

Използване на контакта за електрически инструмент*

*Само при някои модели.



ВНИМАНИЕ: Използвайте инструкциите за работа и инструкциите за безопасност на свързаните към контакта електрически инструменти.

Забележка: Максималното потребление на енергия на свързания електрически инструмент е посочено в раздел *Технически характеристики на страница 39*.

1. Уверете се, че прекъсвачът на електрическия инструмент е поставен в позиция „0“. (Фиг. 23)
2. Разкачете дръжката от маркуча. Натиснете ключалките в края на маркуча (А) и издърпайте дръжката (В). (Фиг. 24)
3. Включете адаптера на свързания електрически инструмент. (Фиг. 25)
4. Регулирайте смукателната мощност от адаптера на електрическия инструмент или от главния прекъсвач*. *Само при някои модели. (Фиг. 26)
5. Свържете маркуча към смукателния отвор на уреда и към електрическия инструмент. Включете кабела на електрическия инструмент към електрическия контакт на уреда. (Фиг. 27)
6. Уверете се, че прекъсвачът на електрическия инструмент е поставен в позиция „0“. (Фиг. 23)
7. Завъртете главния прекъсвач на уреда на позицията за електрически инструмент (А).
8. Поставете прекъсвача на електрическия инструмент на „I“ (В). (Фиг. 28)

Забележка: Можете да пускате и спирате продукта от главния прекъсвач на уреда (А) или на електрическия инструмент (В).

За да почистите течности

Забележка: Уредът разполага с поплавъчна система, която спира въздушния поток през уреда при достигане на максималното ниво на течност.



ВНИМАНИЕ: Не почиствайте течности без поставена поплавъчна система.

1. Уверете се, че е поставен филтърът и фиксаторът за филтъра (поплавъчната система), вижте *За смяна на филтъра на страница 37*. Ако торбичката за прах е монтирана, отстранете я.
2. Използвайте накрайника за под за почистване на течности.

3. При достигане максимално ниво на течността се чува осезаема промяна в звука на двигателя. Смукателната мощност намалява.
4. Спрете уреда, вижте *Спирание на уреда на страница 35*.
5. Изпразнете контейнера за отпадъци, вижте *За да изпразните контейнера за отпадъци след засмукване на течности на страница 36*.

Поддръжка

Въведение



ПРЕДУПРЕЖДЕНИЕ: Преди да извършите техническо обслужване, трябва да прочетете и разберете раздела за безопасност.

За всички работи по поддръжката и поправката на продукта е необходимо специално обучение. Осигуряваме предлагане на професионални ремонти и обслужване. Ако Вашият дилър не предлага сервизно обслужване, говорете с него, за да Ви даде информация за най-близкия сервиз.

Редовен сервиз и инспекция

- Редовният сервиз и инспекция на уреда задължително се извършват от квалифициран персонал, съгласно действащото законодателство и разпоредби.
- На редовна база е необходимо да се извършват електрически тестове на заземяването, устойчивостта на изолацията и състоянието на гъвкавия шнур.
- Ако бъде открита неизправност, уредът **задължително трябва** да се спре от експлоатация и да се ремонтира от упълномощен сервизен техник.

Поддръжка на уредите от клас на запращаване L

За уредите от клас на запращаване L важи следното, WDC 325L.

- По време на поддръжка и почистване използвайте уреда безопасно за обслужващия персонал и останалите хора.
- В участъка за поддръжка:
 - Задължително използвайте филтриран въздух.
 - Използвайте защитно облекло.
 - Почиствайте участъка за поддръжка, за да не достигнат опасните материали до други участъци.
- Ако частите не могат да бъдат задоволително почистени по време на поддръжка и ремонт:
 - Поставете частите в запечатани пликове.
 - Изхвърляйте частите съобразно действащото законодателство.

За да изпразните контейнера за отпадъци след засмукване на течности

1. Спрете уреда, вижте *Спирание на уреда на страница 35*.
2. Разкачете маркуча от смукателния отвор, като издърпате маркуча навън.
3. Освободете ключалките и извадете модула на мотора. (Фиг. 8)
4. Изпразнете контейнера за отпадъци, като го наклоните назад и излейте течностите в подов сифон. *С дръжка разполагат само някои модели. (Фиг. 29)



ВНИМАНИЕ: Винаги изпразвайте и почиствайте контейнера за отпадъци и поплавъчната система след засмукване на течности. Не засмуквайте течности, ако уредът няма поставени поплавъчна система и филтър.

5. Поставете мотора върху контейнера за отпадъци и натиснете ключалките. (Фиг. 12)

За да изпразните контейнера за отпадъци след сухо засмукване

1. Спрете уреда, вижте *Спирание на уреда на страница 35*.
2. Освободете ключалките и извадете модула на мотора. (Фиг. 8)
3. Проверете дали торбичката за прах е пълна.
4. Ако торбичката за прах е пълна, отстранете я.



ВНИМАНИЕ: Не засмуквайте сухи отпадъци, ако филтърът и торбичката за прах не са поставени.

5. Поставете нова торбичка за прах, вижте *За монтаж на торбичката за прах на страница 34*.

Забележка: Смукателната ефективност на уреда зависи от размера и качеството на филтъра и торбичката за прах. Използвайте само филтри и торбички за прах на Husqvarna.

6. Поставете мотора върху контейнера за отпадъци и натиснете ключалките. (Фиг. 12)

За да почистите филтъра, използвайте почистващата система на филтъра

Продуктът разполага с полуавтоматична почистваща система на филтъра. Използвайте почистващата система на филтъра редовно, най-късно когато ефективността на почистване вече не е достатъчна. Редовното използване на почистващата система на филтъра удължава живота на филтъра.

1. Когато смукателната мощност вече не е достатъчна, почистете филтъра. (Фиг. 30)
2. Поставете маркуча в смукателния отвор на предната страна на уреда. (Фиг. 16)
3. Включете уреда в мрежата.
4. Поставете главния прекъсвач на позиция „I“. (Фиг. 17)
5. Вземете дръжката в ръка (А) и засмучете дланта си.
6. Ударете бутона за почистване на филтъра 3 пъти с юмрук (В). (Фиг. 31)
7. Ако смукателната мощност не е достатъчна, извадете филтъра, вижте *За смяна на филтъра на страница 37*.
8. Изтръскайте, изчеткайте или измийте филтъра, за да го почистите.
9. Оставете филтъра да изсъхне.
10. Поставете филтъра, вижте *За монтаж на торбичката за прах на страница 34*.

За външно почистване на машината

1. Спрете уреда, вижте *Спиране на уреда на страница 35*.
2. Почистете уреда със суха кърпа и малко количество спрей за полиране.

За смяна на филтъра

Този уред е предназначен за продължителна тежка работа. В зависимост от броя на работните часове, торбичката за прах трябва да се подмени.

1. Спрете уреда, вижте *Спиране на уреда на страница 35*.
2. Освободете ключалките и извадете модула на мотора. (Фиг. 8)
3. Завъртете фиксатора за филтъра (А) обратно на часовниковата стрелка и го издърпайте навън. Извадете филтъра (В). (Фиг. 32)
4. Поставете нов филтър (А). Поставете фиксатора за филтъра (В) и го завийте по часовниковата стрелка. (Фиг. 33)
5. Уверете се, че филтърът и фиксаторът за филтъра са поставени. (Фиг. 34)
6. Поставете мотора върху контейнера за отпадъци и натиснете ключалките. (Фиг. 12)

За да подмените торбичката за прах

1. Спрете уреда, вижте *Спиране на уреда на страница 35*.
2. Освободете ключалките и извадете модула на мотора. (Фиг. 8)
3. Проверете дали торбичката за прах е пълна. Ако торбичката за прах е пълна, отстранете я.
4. Издърпайте картонената част на използваната торбичка за прах от смукателния отвор.
5. Извадете торбичката за прах (А) и я изхвърлете.
6. Поставете новата торбичка за прах в контейнера за отпадъци (В).
7. Прикрепете картонената част на торбичката за прах към смукателния отвор (С). Уверете се, че гумената мембрана е преминала от другата страна на издатината на смукателния отвор. (Фиг. 35)
8. Поставете мотора върху контейнера за отпадъци и натиснете ключалките. (Фиг. 12)

Транспортиране, съхранение и изхвърляне

Транспорт и съхранение

- След употреба:
 - Извадете щепсела от електрическата мрежа, когато продуктът не работи.
 - Навивайте шнура, като започвате откъм уреда.
 - Използвайте държача за кабел, за да прикрепяте шнура върху моторния модул.
- Навийте маркуча.
- Използвайте държача за маркуч, за да прикрепяте маркуча върху моторния модул.
- Транспортиране:
 - Затворете всички заключалки на моторния модул.
 - Не наклоняйте уреда, ако в контейнера за отпадъци има течност.

- Не използвайте кука за кран за вдигане на уреда.
- Съхранение:
 - Съхранявайте продукта на сухо и незамръзващо място.

За да рециклирате уреда

Преминете през следните стъпки, за да направите уреда неизползваем.

1. Извадете щепсела от електрозахранващата мрежа.
2. Срежете захранващия шнур.
3. Не изхвърляйте продукта като обикновен битов отпадък.

Изхвърляне (съгласно 2012/19/ЕО):

Продуктът не трябва да се изхвърля заедно с обикновените битови отпадъци. Той трябва да се изхвърля в съответствие с местните разпоредби за опазване на околната среда.

Уверете се, че продуктът е изхвърлен посредством местния център за събиране и рециклиране на отпадъци.

(Фиг. 5)

Технически характеристики

Технически характеристики

	EU/CH		GB		AU/NZ		US
	WDC 220	WDC 325L	WDC 220	WDC 325L	WDC 220	WDC 325L	WDC 225
Напрежение, V	220 – 240	220 – 240	220 – 240	220 – 240	220 – 240	220 – 240	110 – 120
Мощност P _{тес.} , W	1000	1200	1000	1000	1000	1000	1000
Мощност на контакта за включване на електрически инструменти, W	–	2400 /1100	–	1900	–	1300	–
Честота, Hz	50/60				50 – 60		50/60
Предпазител, A	10	16/10	13	13	10	10	15
Степен на защита (влага, прах)	IPX4						
Клас на защита (електрическа)	II (Фиг. 4)	I	II (Фиг. 4)	I	II (Фиг. 4)	I	II (Фиг. 4)
Дебит на въздушния поток, l/min	3600	3700	3600	3600	3600	3600	3200
Дебит на въздушния поток, cfm	127	130	127	127	127	127	113
Вакуум, mbar	210	235	210	210	210	210	210
Ниво на звуково налягане на 1 m, EN 60704-1, dB(A) +/- 2	72						
Вибрации по ISO 5349, m/s ² +/- 1	< 1,5						
Тегло, kg	7,5	8,5	7,5	8,5	7,5	8,5	7,5
Ширина, mm	377	376	377	376	377	376	377
Дълбочина, mm	385	392	385	392	385	392	392
Височина, mm	506	533	506	530	506	530	550

Декларация за съответствие на ЕО

Декларация за съответствие на ЕО

Husqvarna AB, SE-561 82 Хускварна, Швеция,
тел.: +46-36-146500 декларира, че **прахосмукачката**
Husqvarna WDC 220, 3325L съответства на
изискванията на ДИРЕКТИВАТА НА СЪВЕТА:

- от 17 май 2006 г., „свързана с машини“
2006/42/ЕО
- от 26 февруари 2014 г., „свързана с
електромагнитната съвместимост“ **2014/30/ЕС**

Приложени са следните стандарти:

EN 60335-1:2012+A11:2014, EN 60335-2-69:2012, EN
55014-1:2006+A1:2009+A2:2011, EN 55014-2:2015,
EN 61000-3-2:2014, EN 61000-3-3:2013

Ако не е указано друго, посочените по-горе
стандарти са последните публикувани версии.

Husqvarna, 2018-08-01



Корнелия Екблад, директор продуктово управление

Obsah

Úvod.....	41	Údržba.....	48
Bezpečnost.....	42	Přeprava, skladování a likvidace.....	49
Montáž.....	46	Technické údaje.....	51
Provoz.....	47	ES Prohlášení o shodě.....	52

Úvod

Popis výrobku

Výrobek je víceúčelový vysavač navržený pro komerční využití.

Zamýšlené použití

Výrobek používejte k čištění suchého, nehořlavého prachu a kapalin.

Přehled výrobku WDC 220, WDC 225

(Obr. 1)

1. Hlavní spínač
2. Systém pro čištění filtru
3. Sací otvor
4. Kola
5. Držák kabelu, držák hadice
6. Filtrační vak

Prostudujte si bezpečnostní pokyny a návod k použití a řiďte se jimi.

Na výrobku provádějte pouze údržbu a opravy, které jsou specifikovány výrobcem.

Výrobce nepřebírá žádnou odpovědnost za škody, které vzniknou v důsledku nesprávného použití, nesprávné údržby nebo nesprávné opravy.

7. Tryska
8. Rukojeť
9. Hubice na podlahu
10. Hubice na štěrbiny
11. Návod k používání
12. Výsuvná trubice
13. Hadice

Přehled výrobku WDC 325L

(Obr. 2)

1. Hlavní spínač
2. Systém pro čištění filtru
3. Sací otvor
4. Kola
5. Držák kabelu, držák hadice
6. Filtrační vak
7. Tryska
8. Rukojeť
9. Hubice na podlahu
10. Hubice na štěrbiny
11. Návod k používání
12. Výsuvná trubice
13. Hadice
14. Adaptér pro elektrický nástroj
15. Elektrická přípojka pro elektrický nástroj
16. Schránka na nástroje

(Obr. 5) Jednotku nevyhazujte jako domovní odpad. Řiďte se místními požadavky.

(Obr. 6) Výrobek odpovídá příslušným směrnici ES.

Povšimněte si: Další symboly/štítky na produktu se týkají certifikačních požadavků pro další komerční oblasti.

Třída prachu L

(Obr. 7)

Dodržujte bezpečnostní pokyny a přidružená opatření pro prach třídy L.

Odpovědnost za výrobek

Jak uvádí zákon o odpovědnosti za výrobek, neneseme odpovědnost za žádnou škodu způsobenou našim výrobkem, pokud:

- byl výrobek nesprávně opraven.
- byl výrobek opraven pomocí součástí od jiného výrobce nebo součástí, které nejsou výrobcem schváleny.
- má výrobek příslušenství od jiného výrobce nebo příslušenství, které není výrobcem schváleno.

Symboly na výrobku

(Obr. 3) Před použitím si pozorně prostudujte tento návod k používání a nepoužívejte výrobek, pokud návodu zcela nerozumíte.

(Obr. 4) Jednotka má dvojitou izolaci.

- výrobek nebyl opraven ve schváleném servisním středisku nebo schváleným odborníkem.

Bezpečnost

Definice týkající se bezpečnosti

Varování, upozornění a poznámky slouží jako upozornění na specifické důležité části návodu.



VÝSTRAHA: Používá se v případě nebezpečí úrazu nebo usmrcení obsluhy nebo okolních osob, pokud nejsou dodrženy pokyny uvedené v této příručce.



VAROVÁNÍ: Používá se v případě nebezpečí poškození výrobku, dalších materiálů či škod na majetku v blízkém okolí, pokud nejsou dodrženy pokyny uvedené v této příručce.

Povšimněte si: Používá se k poskytnutí dalších informací, které jsou nezbytné v dané situaci.

Obecné bezpečnostní pokyny



VÝSTRAHA: Před použitím výrobku si přečtete následující varování.

- Jestliže výrobek a/nebo některé příslušenství je poškozeno, musí být opraveno schváleným servisním střediskem. Nepoužívejte poškozený výrobek.
- Zamezte používání výrobku dětmi. Nedovolte, aby výrobek obsluhovala osoba, která nezná pokyny, ani aby takováto osoba prováděla údržbu výrobku.
- Výrobek smí být provozován pouze pod dohledem.
- Vždy sledujte osoby s fyzickým nebo mentálním

postížením při práci s výrobkem.

- Děti musejí být pod dohledem, aby bylo zajištěno, že si s výrobkem nebudou hrát.
- Nepoužívejte nebezpečné pracovní postupy.
- Výrobek nepoužívejte bez filtrů ve správné pozici.
- V následujících situacích výrobek vypněte a odpojte síťovou zástrčku:
 - Před čištěním a údržbou.
 - Před opravou.
 - Jestliže se v prostoru nachází pěna nebo kapalina.
- Když je výrobek připojen, neodcházejte od něj. Když není v provozu nebo je před údržbou, odpojte síťovou zástrčku.
- Výrobek nepoužívejte, jestliže šňůra nebo zástrčka je poškozená. Odpojení provádějte tak, že držíte zástrčku, ne šňůru. Zástrčky ani výrobku se nedotýkejte mokřýma rukama. Před odpojením resetujte všechny ovládací prvky.

- Výrobek netahejte za šňůru. Šňůru nepoužívejte jako držadlo. Šňůru nepřivírejte do dveří, šňůru netahejte přes ostré hrany nebo kolem ostrých rohů. Výrobek nepřejíždějte šňůru. Dbejte na to, aby se šňůra nedostala do blízkosti horkého povrchu.
- Dbejte na to, abyste se vlasy, volným oděvem, prsty nebo kteroukoliv částí svého těla nepřiblížili k otvorům nebo k pohyblivým součástem. Do otvorů nevkládejte předměty, vyvarujte se použití s ucpaným otvorem. Dbejte na to, aby se v otvorech nenacházel prach, chuchvalce, vlasy nebo jakékoliv jiné předměty nebo látky, které by mohly snížit průtok vzduchu.
- Typem WDC 220, WDC 225 nevysávejte nebezpečný prach.
- Nevysávejte hořlaviny nebo hořlavé kapaliny, jako je benzin. Výrobek nepoužívejte v prostorech, kde se takové produkty mohou nacházet.
- Nevysávejte žádné předměty nebo látky, které hoří nebo doutnají, například cigarety, zápalky nebo horký popel.
- Buďte opatrní při práci na schodech.
- Jestliže z výrobku vychází pěna nebo kapalina, výrobek ihned vypněte.
- Výrobek nepoužívejte jako čerpadlo na vodu.
- Výrobek připojte do správně uzemněné síťové zásuvky. Síťová zásuvka a prodlužovací kabel musejí mít funkční ochranný vodič (platí pouze pro výrobky jiné než s dvojitou izolací).
- Zajistěte, aby v pracovním prostoru bylo dobré proudění vzduchu.
- Výrobek nepoužívejte jako žebřík nebo dvojitý žebřík.
- Při použití odstraňovačů prachu je třeba zajistit v místnosti odpovídající míru výměny vzduchu, pokud je výstupní vzduch z vysavače vháněn do místnosti. Před používáním se řiďte národními předpisy.
- Pro výrobky na odstraňování prachu třídy L, WDC 325L, operátora před používáním výrobku vyškolte v následujícím:
 - Jak výrobek používat.
 - Nebezpečí spojené s materiálem, který má být vysáván.

- Bezpečná likvidace vysátého materiálu.
- Pro výrobky na odstraňování prachu třídy L, WDC 325L, platí následující:
 - Výrobek používejte k čištění suchého nehořlavého prachu a kapalin, nebezpečného prachu s hodnotou OEL¹⁾ > 1mg/m³ (OEL je zkratka pro termín Occupational Exposure Limit, limit pracovního vystavení). Třída prachu L (IEC 60335-2-69). Prach této třídy má hodnoty OEL¹⁾ > 1mg/m³.
 - Výrobky na odstraňování prachu třídy L mají testovaný materiál filtru. Maximální stupeň propustnosti je 1%. Pro likvidaci není žádný zvláštní požadavek.

související předpisy a zákony, které jsou platné v době práce s výrobkem.



VÝSTRAHA: Než výrobek připojíte:

Ujistěte se, že napětí elektrické sítě a síťové napětí zdroje napájení odpovídá údajům na typovém štítku vysavače na mokré/suché vysávání.



VÝSTRAHA:

Tento výrobek má dvojitou izolaci. Používejte pouze náhradní součásti Husqvarna. Prostudujte si pokyny ohledně toho, jak provádět servis na výrobcích s dvojitou izolací.



VÝSTRAHA:

Tento výrobek má speciální šňůru. Jestliže je tato šňůra poškozená, musí se nahradit šňůrou stejného typu. Ta je k dispozici ve schválených servisních střediscích a u schválených obchodních zástupců a musí být namontována oprávněnými pracovníky.



VÝSTRAHA:

Servis na výrobcích s dvojitou izolací vyžaduje znalost systému. Výrobky s dvojitou izolací jsou vybaveny dvěma systémy izolace místo uzemnění. Výrobek s dvojitou izolací není vybaven žádnými uzemňovacími prostředky a ani zařízení nesmí být doplněno žádným prostředkem pro uzemnění. Servis smí být prováděn pouze oprávněnými servisními pracovníky. Náhradní součásti pro výrobek s dvojitou izolací musejí být totožné se součástmi, které jsou jimi nahrazeny. Výrobek s dvojitou izolací je označen slovy „DVOJITÁ IZOLACE“ nebo „S DVOJITOU IZOLACÍ“. Rovněž může být na výrobku použit symbol.

Povšimněte si: Prostudujte si místní zákony. Může v nich být upraven věk operátora.

Bezpečnost pro výrobky s dvojitou izolací



VÝSTRAHA: Výrobek používejte výhradně tak, jak je to stanoveno v tomto návodu, výhradně s doporučeným příslušenstvím výrobce.



VÝSTRAHA: Platí pouze pro UK: Prostudujte si tyto důležité pokyny. Tyto pokyny byly připraveny s ohledem na maximální bezpečnost a efektivitu. Operátor musí být vyškolen oprávněným instruktorem a musí rozumět těmto pokynům pro ovládání. Operátor musí znát všechny

Elektrická bezpečnost

- Doporučuje se, aby tento vysavač byl připojen prostřednictvím proudového chrániče.
- Uspořádejte elektrické součásti (zásuvky, zástrčky a spojky) a položte prodlužovací přívod tak, aby byla dodržena třída ochrany.
- Konektory a spojky napájecích šňůr a prodlužovacích přívodů musejí být vodotěsné.

Prodlužovací přívod

- Jako prodlužovací přívod používejte výhradně verzi specifikovanou výrobcem nebo verzi, jejíž kvalita je vyšší.
- Při použití prodlužovacího přívodu zkontrolujte minimální průřezy kabelů:

Délka kabelu	Průřez	
	< 16 A	< 25 A
< 20 m	1,5 mm ²	2,5 mm ²
20-50 m	2,5 mm ²	4,0 mm ²



VÝSTRAHA: Horní část vysavače obsahuje součásti pod napětím. Dotknutí se součástí pod napětím má za následek závažný, nebo dokonce smrtelný úraz.

- Na horní část vysavače nikdy nestříkejte vodu.



VÝSTRAHA: Úraz elektrickým proudem v důsledku vadného síťového přívodu. Dotknutí se vadného síťového přívodu může mít za následek závažný, nebo dokonce smrtelný úraz.

- Síťový přívod nepoškozte (například jeho přejížděním, taháním za něj nebo jeho rozdrčením).
- Pravidelně kontrolujte, zda pohyblivý síťový přívod není poškozený nebo zda nevykazuje známky stárnutí.
- Jestliže elektrický kabel je poškozený, musí být vyměněn

oprávněným distributorem společnosti Husqvarna nebo podobnou kvalifikovanou osobou, aby nebezpečí bylo odstraněno.

- Pohyblivý síťový přívod za žádných okolností nesmí být obtočen kolem prstů nebo kolem kterékoliv části těla operátora.



VAROVÁNÍ: Zásuvka pro zařízení (pouze u některých modelů) je navržena pouze pro účely definované v návodu k použití. Připojení jiných zařízení může mít za následek poškození.

- Před připojením zařízení zasunutím zástrčky výrobek i zařízení, které má být připojeno, vždy vypněte.
- Prostudujte si návod k použití pro zařízení, které má být připojeno, a dodržujte poznámky ohledně bezpečnosti, jež jsou v tomto návodu obsaženy.



VAROVÁNÍ: Poškození v důsledku nevhodného síťového napětí. Zařízení se může poškodit v důsledku jeho připojení

k nevhodnému síťovému napětí.

- Ujistěte se, že napětí elektrické sítě a síťové napětí zdroje napájení odpovídá údajům na typovém štítku vysavače na mokré/suché vysávání.

Bezpečnostní pokyny pro provoz

Čištění kapalín



VAROVÁNÍ: Nečistěte hořlavé kapaliny.

- Než začnete čistit kapaliny, vyjměte filtrační vak. Zkontrolujte, zda plovák nebo limitní funkce pro hladinu vody správně funguje.
- Použijte speciální filtrační vložku nebo filtrační síto.
- Jestliže z výrobku vychází pěna, ihned zastavte práci a vyprázdněte nádrž.

Nebezpečné materiály



VÝSTRAHA: Nebezpečné materiály nečistěte. Mohlo by to způsobit zranění.

- Nečistěte následující materiály:
 - nebezpečný prach,
 - horké materiály, například hořící cigarety nebo horký popel,
 - hořlavé, výbušné, agresivní kapaliny, například benzin, rozpouštědla, kyseliny a zásady,
 - hořlavý, výbušný prach, například hořčíkový nebo hliníkový prach.



VÝSTRAHA: Než začnete montovat výrobek, přečtěte si pozorně kapitolu o bezpečnosti.

Co je třeba provést před montáží

1. Odjistěte spony a zvedněte jednotku motoru. (Obr. 8)
2. Ze zásobníku na nečistoty odmontujte příslušenství. (Obr. 9)

Náhradní díly a příslušenství



VAROVÁNÍ: Používejte pouze náhradní díly a příslušenství v zájmu bezpečnosti výrobku.

- Používejte pouze náhradní díly a příslušenství od společnosti Husqvarna.
- Používejte pouze kartáče dodávané s výrobkem nebo uvedené v návodu k použití.

Výbušné nebo hořlavé prostředí



VAROVÁNÍ: Výrobek nepoužívejte ve výbušném nebo hořlavém prostředí. Výrobek nepoužívejte v blízkosti kapalin, plynů nebo výparů, jež mohou vytvořit hořlavé prostředí.

Funkce foukače



VÝSTRAHA: Prach může způsobit zdravotní problémy. Tento výrobek má funkci foukače. Vycházející vzduch nefoukejte nahodile v uzavřených prostorech. Aby funkce foukače mohla být použita, hadice musí být čistá.

Bezpečnostní pokyny pro údržbu



VÝSTRAHA: Před prováděním údržby výrobku si prostudujte všechny výstražné pokyny, které následují.

Vyprázdnění zásobníku na nečistoty



VAROVÁNÍ: Vyčištěný materiál může být nebezpečný pro prostředí. Nečistoty zlikvidujte podle právních předpisů.

Montáž

3. Zajistěte, aby byly zahrnuty všechny součásti. Viz přehled výrobku. Nezbytné nástroje: Šroubovák.

Vložení filtračního vaku

1. Hlavní spínač uveďte do polohy „0“.
2. Výrobek odpojte. (Obr. 10)
3. Odjistěte spony a zvedněte jednotku motoru. (Obr. 8)
4. Filtrační vak vložte do zásobníku na nečistoty.

5. Lepenkovou část filtračního vaku upevněte na sací otvor. Zajistěte, aby pryžová membrána přecházela přes vyvýšení na sacím otvoru. (Obr. 11)
6. Umístěte jednotku motoru na nádobu na nečistoty a zajistěte spony. (Obr. 12)

Upevnění příslušenství

1. Příslušenství umístěte do jeho příslušné pozice pro snadný přístup. (Obr. 13)
2. Schránku na nástroje upevněte v zadní části výrobku. (Obr. 14)
3. Držák pro kabel a pro hadici upevněte v zadní části výrobku. (Obr. 15)

Namontování hadice

1. Hadici umístěte do sacího otvoru na přední části výrobku. (Obr. 16)

2. Zařízení připojte k síti.
3. Hlavní spínač uveďte do polohy „I“. (Obr. 17)
4. Sací výkon nastavte na rukojeti nebo hlavním spínačem*. *Pouze u některých modelů. (Obr. 18)

Namontování držáku trubice

1. Držák trubice posuňte svisle na výsuvné trubici.
2. Pomocí šroubováku namontujte držák trubice ve správné výšce výsuvné trubice. (Obr. 19)
3. Výsuvnou trubici uložte do držáků na zadní části výrobku. (Obr. 20)

Provoz

Úvod



VÝSTRAHA: Před používáním produktu je třeba, abyste si přečetli a porozuměli kapitole o bezpečnosti.

Spuštění výrobku

Před použitím výrobku zajistěte, aby frekvence a napětí uvedené na štítku se jmenovitými údaji bylo stejné jako napětí síťové.

1. Zajistěte, aby hlavní spínač byl v poloze „0“. (Obr. 10)
2. Zkontrolujte, zda správné filtry jsou v příslušné pozici ve výrobku.
3. Hadici umístěte do sacího otvoru v přední části výrobku. Hadici zatlačte vpřed tak, aby byla těsně namontována v příslušné poloze v sacím otvoru. (Obr. 16)
4. Připojte dvě výsuvné trubice s rukojetí. Výsuvnými trubicemi zakruťte, aby bylo zajištěno, že jsou správně v příslušné pozici.
5. K výsuvné trubici upevněte hubici. Hubici vyberte podle druhu materiálu, který je třeba čistit.
6. Zástrčku připojte do sítě.
7. Hlavní spínač uveďte do polohy „I“, čímž výrobek spustíte. (Obr. 17)

Zastavení výrobku

1. Výrobek vypnete uvedením hlavního spínače do polohy „0“.
2. Odpojte zástrčku ze sítě. (Obr. 10)

Použití foukací funkce

1. Hadici umístěte do otvoru v zadní části výrobku. (Obr. 21)
2. Zástrčku připojte do sítě.
3. Hlavní spínač uveďte do polohy „I“. (Obr. 17)
4. Foukací výkon nastavte na rukojeti nebo hlavním spínačem*. *Pouze u některých modelů. (Obr. 22)

Použití zásuvky pro elektrický nástroj*

*Pouze u některých modelů.



VAROVÁNÍ: Postupujte podle návodu k použití a podle bezpečnostních pokynů pro zařízení připojená do zásuvky pro elektrický nástroj.

Povšimněte si: Maximální příkon připojeného nástroje je uveden v kapitole *Technické údaje na strani 51*.

1. Zajistěte, aby spínač na elektrickém nástroji byl v poloze „0“. (Obr. 23)
2. Odpojte rukojeť od hadice. Stiskněte okénka na konci hadice (A) a vytáhněte rukojeť (B). (Obr. 24)
3. Připojte adaptér pro elektrický nástroj. (Obr. 25)
4. Sací výkon nastavte na adaptéru pro elektrický nástroj nebo hlavním spínačem*. *Pouze u některých modelů. (Obr. 26)
5. Hadici připojte k sacímu otvoru výrobku a k elektrickému nástroji. Kabel elektrického nástroje připojte k elektrické přípojce výrobku. (Obr. 27)
6. Zajistěte, aby spínač na elektrickém nástroji byl v poloze „0“. (Obr. 23)

- Otočte hlavním spínačem na výrobku do polohy Elektrický nástroj (A).
- Spínač elektrického nástroje uveďte do polohy „I“ (B). (Obr. 28)

Povšimněte si: Výrobek lze spouštět i vypínat hlavním spínačem na výrobku (A) nebo na elektrickém nástroji (B).

Čištění kapaliny

Povšimněte si: Výrobek má plovákový systém, který zastaví průtok vzduchu výrobkem při dosažení maximální hladiny kapaliny.



VAROVÁNÍ: Kapaliny nečistěte, pokud není plovákový systém v příslušné pozici.

Údržba

Úvod



VÝSTRAHA: Před prováděním údržby je třeba, abyste si přečetli a porozuměli kapitole o bezpečnosti.

Pro servis a opravy výrobku je nezbytné speciální školení. Garantujeme dostupnost profesionálních oprav a servisu. Pokud neposkytuje prodejce servisní služby, požádejte jej o informace o nejbližším servisu.

Pravidelný servis a kontrola

- Pravidelný servis a kontrola výrobku musejí být prováděny kvalifikovanými pracovníky podle příslušných zákonů a předpisů.
- Je třeba často provádět elektrické testy ohledně spojitosti uzemnění, ohledně izolačního odporu a ohledně stavu pohyblivého přívodu.
- Jestliže je zjištěna závada, výrobek **musí** být vyřazen z provozu a musí být opraven oprávněným servisním technikem.

Údržba výrobků na odstraňování prachu třídy L

Následující platí pro výrobky na odstraňování prachu třídy L, WDC 325L.

- Při údržbě a čištění s výrobkem zacházejte bezpečně pro údržbařské pracovníky a pro jiné osoby.
- V prostoru provádění údržby:
 - Používejte filtrovaný povinný průtok vzduchu.
 - Používejte ochranný oděv.

- Zajistěte, aby filtr i upínač filtru (plovákový systém) byl v příslušné pozici, viz část *Výměna filtru na strani 49*. Vyměňte filtrační vak, pokud je vložen.
- K čištění kapaliny použijte hubici na podlahu.
- Při dosažení maximální hladiny kapaliny je slyšet znatelnou změnu zvuku motoru. Sací výkon se sníží.
- Výrobek vypněte, viz část *Zastavení výrobku na strani 47*.
- Vyprázdněte zásobník na nečistoty, viz část *Vyprázdnění zásobníku na nečistoty po vysávání kapalin na strani 48*.

- Prostor provádění údržby vyčistěte, aby se žádný škodlivý materiál nedostal ven, do jiných prostorů.
- Jestliže součásti při údržbě a opravě nelze uspokojivě vyčistit:
 - Tyto součásti uložte do správným způsobem neprodyšně uzavřených vaků.
 - Tyto součásti zlikvidujte podle právních předpisů.

Vyprázdnění zásobníku na nečistoty po vysávání kapalin

- Výrobek vypněte, viz část *Zastavení výrobku na strani 47*.
- Odpojte hadici od sacího otvoru tak, že tuto hadici vytáhnete.
- Odjistěte spony a zvedněte jednotku motoru. (Obr. 8)
- Vyprázdněte zásobník na nečistoty tak, že jej nakloníte vzad, a kapaliny vylijte do podlahové vpusť. *Držadlo pouze u některých modelů. (Obr. 29)



VAROVÁNÍ: Po vysávání kapalin vždy vyprázdněte a vyčistěte zásobník na nečistoty a plovákový systém. Kapaliny nevysávejte, aniž by ve výrobku byl namontován plovákový systém a filtr.

- Umístěte jednotku motoru na nádobu na nečistoty a zajistěte spony. (Obr. 12)

Vyprázdnění zásobníku na nečistoty po suchém vysávání

1. Výrobek vypněte, viz část *Zastavení výrobku na strani 47*.
2. Odjistěte spony a zvedněte jednotku motoru. (Obr. 8)
3. Zkontrolujte, zda je filtrační vak plný.
4. Pokud je filtrační vak plný, vyjměte jej.



VAROVÁNÍ: Nevysávejte suchý materiál, aniž by filtr a filtrační vak byl v příslušné pozici.

5. Vložte nový filtrační vak, viz část *Vložení filtračního vaku na strani 46*.

Povšimněte si: Sací účinnost výrobku závisí na rozměru a kvalitě filtru a filtračního vaku. Používejte pouze filtr a filtrační vaky Husqvarna.

6. Umístěte jednotku motoru na nádobu na nečistoty a zajistěte spony. (Obr. 12)

Čištění filtru, systém pro čištění filtru

Výrobek má poloautomatický systém pro čištění filtru. Systém pro čištění filtru používejte pravidelně, nejpozději tehdy, když čisticí výkonost již není dostatečná. Pravidelným používáním systému pro čištění filtru se zvyšuje životnost filtru.

1. Filtr vyčistěte, když sací výkon již není dostatečný. (Obr. 30)
2. Hadici umístěte do sacího otvoru na přední části výrobku. (Obr. 16)
3. Zařízení připojte k síti.
4. Hlavní spínač uveďte do polohy „I“. (Obr. 17)
5. Přiložte rukojeť k ruce (A), abyste zkontrolovali sací výkon.
6. Rukou sevřenou v pěst třikrát udeřte do tlačítka pro čištění filtru (B). (Obr. 31)
7. Jestliže sací výkon není dostatečný, filtr vyjměte, viz část *Výměna filtru na strani 49*.
8. Filtr vyčistěte vytřesením, kartáčem nebo vymytím.
9. Filtr nechte vyschnout.
10. Filtr namontujte, viz část *Vložení filtračního vaku na strani 46*.

Čištění výrobku zvnějšku

1. Výrobek vypněte, viz část *Zastavení výrobku na strani 47*.
2. Výrobek očistěte suchou tkaninou a malým množstvím leštěnky z rozprašovače.

Výměna filtru

Výrobek je navržen pro nepřetržitou těžkou práci. V závislosti na počtu provozních hodin je třeba vyměňovat prachový filtr.

1. Výrobek vypněte, viz část *Zastavení výrobku na strani 47*.
2. Odjistěte spony a zvedněte jednotku motoru. (Obr. 8)
3. Otočte upínačem filtru (A) proti směru hodinových ručiček a vytáhněte jej ven. Vytáhněte ven filtr (B). (Obr. 32)
4. Namontujte nový filtr (A). Namontujte upínač filtru (B) a otočte jím ve směru hodinových ručiček. (Obr. 33)
5. Zajistěte, aby byl filtr i upínač filtru v příslušné pozici. (Obr. 34)
6. Umístěte jednotku motoru na nádobu na nečistoty a zajistěte spony. (Obr. 12)

Výměna filtračního vaku

1. Výrobek vypněte, viz část *Zastavení výrobku na strani 47*.
2. Odjistěte spony a zvedněte jednotku motoru. (Obr. 8)
3. Zkontrolujte, zda je filtrační vak plný. Pokud je filtrační vak plný, vyjměte jej.
4. Vytáhněte lepenkovou část starého filtračního vaku ze sacího otvoru.
5. Vyzvedněte filtrační vak (A) a vyřadte jej.
6. Vložte nový filtrační vak do zásobníku na nečistoty (B).
7. Lepenkovou část filtračního vaku upevněte na sací otvor (C). Zajistěte, aby pryžová membrána přecházela přes vyvýšení na sacím otvoru. (Obr. 35)
8. Umístěte jednotku motoru na nádobu na nečistoty a zajistěte spony. (Obr. 12)

Přeprava, skladování a likvidace

Přeprava a skladování

- Po použití:
 - Když výrobek není v provozu, odpojte zástrčku ze sítě.
 - Sviňte šňůru počínaje od výrobku.
- K upevnění šňůry na jednotku motoru použijte držák kabelu.
- Sviňte hadici.
- K upevnění hadice na jednotku motoru použijte držák hadice.
- Přeprava:

- Uzavřete všechny spony na jednotce motoru.
- Jestliže je v zásobníku na nečistoty kapalina, výrobek nenaklánějte.
- Ke zvedání výrobku nepoužívejte jeřábový hák.
- Skladování:
 - Uchovávejte výrobek na suchém a bezprašném místě.

Recyklace výrobku

Postupujte podle těchto kroků, abyste výrobek učinili nepoužitelným.

1. Odpojte zástrčku ze sítě.
2. Odstříhnete napájecí šňůru.
3. Výrobek nevyhazujte do obvyklého domovního odpadu.

Likvidace (v souladu se směrnicí 2012/19/ES):

Výrobek se nesmí odkládat do běžného komunálního odpadu. Jeho likvidace musí probíhat ve shodě s místními ekologickými předpisy.

Zajistěte likvidaci výrobku prostřednictvím obecního sběrného a recyklačního střediska.

(Obr. 5)

Technické údaje

Technické údaje

	EU/CH		GB		AU/NZ		US
	WDC 220	WDC 325L	WDC 220	WDC 325L	WDC 220	WDC 325L	WDC 225
Napětí, V	220–240	220–240	220–240	220–240	220–240	220–240	110-120
Výkon P_{iec} , W	1000	1200	1000	1000	1000	1000	1000
Připojená zátěž pro zásuvku pro zařízení, W	-	2400 /1100	-	1900	-	1300	-
Kmitočet, Hz	50/60				50–60		50/60
Pojistkové jištění, A	10	16/10	13	13	10	10	15
Kategorie krytí (vlhkost, prach)	IPX4						
Třída ochrany (elektrická)	II (Obr. 4)	I	II (Obr. 4)	I	II (Obr. 4)	I	II (Obr. 4)
Objemový průtok vzduchu, l/min	3600	3 700	3600	3600	3600	3600	3200
Objemový průtok vzduchu, cfm	127	130	127	127	127	127	113
Podtlak, mbar	210	235	210	210	210	210	210
Hladina akustického tlaku ve vzdálenosti 1 m, EN 60704-1, dB(A) +/- 2	72						
Vibrace, ISO 5349, $m/s^2 +/- 1$	<1,5						
Hmotnost, kg	7,5	8,5	7,5	8,5	7,5	8,5	7,5
Šířka, mm	377	376	377	376	377	376	377
Hloubka, mm	385	392	385	392	385	392	392
Výška, mm	506	533	506	530	506	530	550

ES Prohlášení o shodě

ES Prohlášení o shodě

Husqvarna AB, SE-561 82 Huskvarna, Švédsko, tel:
+46-36-146500, prohlašuje, že **vysavač Husqvarna**
WDC 220, 3325L vyhovuje požadavkům SMĚRNICE
RADY:

- ze 17. května 2006 „týkající se strojních zařízení“
2006/42/ES
- z 26. února 2014 „týkající se elektromagnetické
kompatibility“ **2014/30/EU**,

Byly uplatněny následující standardní normy:

EN 60335-1:2012+A11:2014, EN 60335-2-69:2012, EN
55014-1:2006+A1:2009+A2:2011, EN 55014-2:2015,
EN 61000-3-2:2014, EN 61000-3-3:2013

Není-li uvedeno jinak, platí výše uvedené normy
v poslední vydané verzi.

Huskvarna, 2018-08-01



Cornelia Ekbladh, ředitelka pro vývoj výrobků

Indhold

Indledning.....	53	Vedligeholdelse.....	60
Sikkerhed.....	54	Transport, opbevaring og bortskaffelse.....	61
Montering.....	58	Tekniske data.....	62
Drift.....	59	EU-overensstemmelseserklæring.....	63

Indledning

Produktbeskrivelse

Produktet er en alsidig støvsuger designet til kommerciel brug.

Anvendelsesformål

Brug produktet til at rengøre tørt, ikke-brændbart støv og væsker.

Produktoversigt WDC 220, WDC 225

(Fig. 1)

1. Hovedafbryder
2. Filterrensesystem
3. Indsugning
4. Hjul
5. Kabelholder, slangeholder
6. Filterpose

Læs og overhold sikkerhedsinstruktionerne og brugsanvisningen.

Foretag kun producentgodkendt vedligeholdelse og reparation af produktet.

Producenten påtager sig intet ansvar for skader som følge af forkert brug, forkert vedligeholdelse eller forkert reparation.

7. Mundstykke
8. Håndtag
9. Gulvmundstykke
10. Sprækkemundstykke
11. Brugsanvisning
12. Forlængerrør
13. Slange

Produktoversigt WDC 325L

(Fig. 2)

1. Hovedafbryder
2. Filterrensesystem
3. Indsugning
4. Hjul
5. Kabelholder, slangeholder
6. Filterpose
7. Mundstykke
8. Håndtag
9. Gulvmundstykke
10. Sprækkemundstykke
11. Brugsanvisning
12. Forlængerrør
13. Slange
14. Elværktøjsadapter
15. Eltilslutning til elværktøj
16. Værktøjskasse

(Fig. 4) Enheden har dobbelt isolering.

(Fig. 5) Bortskaf ikke enheden som husholdningsaffald. Overhold lokale krav.

(Fig. 6) Produktet er i overensstemmelse med gældende EF-direktiver.

Bemærk: Andre symboler/mærkater på produktet henviser til certificeringskrav i andre handelsområder.

Støvklasse L

(Fig. 7)

Overhold sikkerhedsanvisningerne og tilknyttede foranstaltninger for Støvklasse L.

Produktansvar

Som nævnt i produktansvarsbestemmelserne hæfter vi ikke for skader forårsaget af vores produkt, hvis:

- produktet er forkert repareret.
- produktet er repareret med dele, der ikke er fra producenten eller ikke er godkendt af producenten
- produktet har tilbehør, der ikke er fra producenten eller ikke er godkendt af producenten.

Symboler på produktet

(Fig. 3) Læs brugsanvisningen omhyggeligt igennem, og sørg for at have forstået instruktionerne, inden du bruger produktet.

- produktet ikke er repareret på et godkendt servicecenter eller af en godkendt myndighed.

Sikkerhed

Sikkerhedsdefinitioner

Advarsler, forholdsregler og bemærkninger bruges til at pege på særligt vigtige dele af brugsanvisningen.



ADVARSEL: Bruges, hvis føreren udsætter sig selv eller omkringstående personer for risiko for personskade eller dødsfald ved tilsidesættelse af instruktionerne i brugsanvisningen.



BEMÆRK: Bruges, hvis der er risiko for skader på produktet, andre materialer eller det omgivende område ved tilsidesættelse af instruktionerne i brugsanvisningen.

Bemærk: Bruges til at give yderligere oplysninger, der er nødvendige i en given situation.

Generelle sikkerhedsinstruktioner



ADVARSEL: Læs følgende advarselsinstruktioner, inden du bruger produktet.

- Hvis produktet og/eller en tilbehørsdel er beskadiget, skal den repareres af et godkendt servicecenter. Brug ikke et beskadiget produkt.
- Lad ikke børn betjene produktet. Lad ikke en person uden kendskab til brugsanvisningen betjene eller foretage vedligeholdelse på produktet.
- Produktet må kun betjenes under opsyn.
- Sørg for at overvåge personer med nedsat fysisk eller mental kapacitet, der bruger produktet.
- Børn skal være under opsyn for at sikre, at de ikke leger med produktet.
- Brug ikke farlige arbejdsprocedurer.
- Brug ikke produktet uden filtre placeret i den korrekte position.
- Stands produktet og frakobl strømstikket i følgende situationer:
 - Før rengøring og vedligeholdelse.
 - Før reparation.
 - Hvis der er skum eller væske i området.
- Du må ikke gå væk fra produktet, når det er sluttet til. Tag stikket ud, når det ikke er i drift og før vedligeholdelse.
- Brug ikke produktet, hvis ledningen eller stikket er beskadiget. Tag fat i stikket, ikke i ledningen, for at frakoble produktet. Tag ikke fat i stik eller produkt med våde hænder. Nulstil alle betjeningsknapper, før du frakobler.

- Brug ikke ledningen til at trække i produktet. Brug ikke ledningen som håndtag. Luk ikke en dør på ledningen, og træk ikke ledningen omkring skarpe kanter eller hjørner. Kør ikke produktet over ledningen. Hold ledningen væk fra varme overflader.
- Hold hår, løstsiddende tøj, fingre og alle dele af kroppen væk fra åbninger og bevægelige dele. Sæt ikke genstande ind i åbningerne, og brug ikke produktet, hvis åbningerne er blokerede. Hold åbningerne fri for støv, fnug, hår og andet, der kan reducere luftstrømmen.
- Støvsug ikke farligt støv med WDC 220, WDC 225.
- Støvsug ikke brændbare væsker, som f.eks. benzin. Brug ikke produktet i områder, hvor der kan være ovenstående produkter.
- Støvsug ikke noget, der brænder eller ryger, f.eks. cigaretter, tændstikker eller varm aske.
- Vær forsigtig ved rengøring på trapper.
- Hvis der kommer skum eller væske fra produktet, skal du straks stoppe produktet.
- Brug ikke produktet som en vandpumpe.
- Slut produktet til en korrekt jordet stikkontakt. Stikkontakten og forlængerledningen skal have en operativ beskyttelsesleder (gælder kun for ikke-dobbeltisolerede produkter).
- Sørg for, at der er god luftgennemstrømning i arbejdsområdet.
- Brug ikke produktet som en stige eller trappestige.
- Hvis der anvendes støvrensere, skal den hyppighed, hvormed luften udskiftes i lokalet, være tilstrækkelig, hvis udblæsningsluften fra støvsugeren blæses ind i rummet. Overhold gældende nationale bestemmelser før brug.
- For Støvklasser L-produkter, WDC 325L, skal brugeren før brug oplyses om og uddannes i:
 - Sådan bruges produktet.
 - Risiciene ved det materiale, der opsamles.
 - Sikker bortskaffelse af det opsamlede materiale.
- For Støvklasser L-produkter, WDC 325L, gør følgende sig gældende:

- Brug produktet til rengøre tørt, ikke-brændbart støv og væsker, farligt støv med OEL¹⁾ værdi > 1 mg/m³. Støvklasser L (IEC 60335-2-69). Støv med denne klasse har OEL¹⁾ værdier > 1 mg/m³.
- Produkter med Støvklasser L har et testet filtermateriale. Den højeste grad af gennemtrængelighed er 1 %. Der er ingen særlige krav til bortskaffelse.

Bemærk: Undersøg lokale love. De kan stille krav til brugerens alder.

Sikkerhed for dobbeltisolerede produkter



ADVARSEL: Brug kun produktet, som angivet i denne brugsanvisning, og kun med producentens anbefalede tilbehør.



ADVARSEL: Gælder kun Storbritannien: Læs denne vigtige brugsanvisning. Denne brugsanvisning er blevet udarbejdet med fokus på sikkerhed og effektivitet. Brugeren skal undervises af en godkendt instruktør og skal forstå denne brugsanvisning. Brugeren skal kende alle relaterede regler og lovgivning i kraft på tidspunktet for drift.



ADVARSEL: Før du tilslutter produktet: Sørg for, at strømforsyningsens netspænding og netfrekvens stemmer overens med oplysningerne på våd-/tørstøvsugerens typeskilt.



ADVARSEL: Dette produkt har dobbelt isolering. Brug kun Husqvarna-reservedele. Se vejledningen for at se, hvordan du udfører service på dobbeltisolerede produkter.



ADVARSEL: Produktet har en særlig ledning. Hvis ledningen er beskadiget, skal den udskiftes med en ledning af samme type. Den kan fås hos godkendte servicecentre og forhandlere og skal installeres af autoriseret personale.



ADVARSEL: Service på et dobbeltisoleret produkt kræver kendskab til systemet. I et dobbeltisoleret produkt er der to systemer til isolering i stedet for jordforbindelse. Der er ingen jordforbindelsesmetoder på et dobbeltisoleret produkt, og der bør heller ikke føjes en jordforbindelsesmetode til apparatet. Service skal udføres af autoriserede serviceteknikere. Reservedele til et dobbeltisoleret produkt skal være identisk med de dele, de erstatter. Et dobbeltisoleret produkt er markeret med ordene "DOBBELTISOLERING" eller "DOBBELTISOLERET". Der kan også være et symbol på produktet.

Elektrisk sikkerhed

- Det anbefales, at støvsugeren tilsluttes via en fejlstrømsafbryder.
- Arranger de elektriske dele (stikkontakter, stik og koblinger), og brug en forlængerledning, hvor beskyttelsesklassen opretholdes.
- Stik og koblinger til strømkabler og forlængerledninger skal være vandtætte.

Forlængerledning

- Til forlængerledninger skal du bruge den version, der er angivet af producenten eller en af højere kvalitet.
- Ved brug af en forlængerledning skal du kontrollere det minimale tværsnit af ledningen:

Kabellængde	Tværsnit	
	< 16 A	< 25 A
< 20 m	1,5 mm ²	2,5 mm ²
20-50 m	2,5 mm ²	4,0 mm ²



ADVARSEL: Den øverste del af støvsugeren indeholder strømførende komponenter. Kontakt med strømførende komponenter fører til

alvorlige eller livsfarlige kvæstelser.

- Sprøjt aldrig vand på den øverste del af støvsugerens.
-



ADVARSEL: Elektrisk stød på grund af defekt tilslutningsledning. Berøring af en defekt tilslutningsledning kan medføre alvorlige eller livsfarlige kvæstelser.

- Undgå at beskadige strømledningen (f.eks. ved at køre over den, trække i den eller mase den).
 - Kontrollér regelmæssigt, om strømledningen er beskadiget eller viser tegn på ældning.
 - Hvis strømledningen er beskadiget, skal den udskiftes af en autoriseret Husqvarna-forhandler eller tilsvarende kvalificerede fagfolk for at undgå risiko.
 - Under ingen omstændigheder bør strømledningen vikles omkring fingre eller andre dele af brugerens krop.
-



BEMÆRK: Stikket på apparatet (kun på nogle modeller) er kun beregnet til de formål, der er beskrevet

i brugsanvisningen. Tilslutning af forskellige apparater kan resultere i skader.

- Før du sætter stikket i et apparat, skal du altid stoppe produktet og det apparat, der skal tilsluttes.
 - Læs betjeningsvejledningen til det apparat, der tilsluttes, og overhold sikkerhedsmeddelelserne i den.
-



BEMÆRK: Skader, der skyldes forkert netspænding. Apparatet kan tage skade, hvis det sluttes til uegnet netspænding.

- Sørg for, at strømforsyningsens netspænding og netfrekvens stemmer overens med oplysningerne på våd-/tørstøvsugerens typeskilt.

Sikkerhedsinstruktioner for drift

Til rene væsker



BEMÆRK: Rengør ikke brændbare væsker.

- Fjern filterposen, før du begynder at rengøre væsker. Kontrollér, at flyderen eller vandstandsgrænsen fungerer korrekt.
 - Brug et særligt filterelement eller filternet.
 - Hvis der kommer skum fra produktet, skal du straks stoppe arbejdet og tømme tanken.
-

Farlige materialer



ADVARSEL: Rengør ikke farlige materialer. Dette kan forårsage personskader.

- Rengør ikke følgende materialer:
 - Farligt støv
 - Varme materialer, f.eks. brændende cigaretter og varm aske.
 - Brændbare, eksplosive, aggressive væsker, som f.eks. benzin, opløsningsmidler, syrer og baser.
 - Brandfarligt, eksplosivt støv, f.eks. magnesium eller aluminiumsstøv.

Reserve dele og tilbehør



BEMÆRK: Brug kun -reserve dele og tilbehør af hensyn til produktets sikkerhed.

- Brug kun reserve dele og tilbehør fra Husqvarna.
- Brug kun de medfølgende børster eller som henvises til i brugsanvisningen.

Eksplosiv eller brændbar atmosfære



BEMÆRK: Brug ikke produktet i eksplosive eller brændbare atmosfærer.

Montering



ADVARSEL: Læs og forstå kapitlet om sikkerhed, før du monterer produktet.

Før produktet installeres

1. Lås hægteerne op og løft motorenheden op. (Fig. 8)
2. Fjern tilbehøret fra støvbeholderen. (Fig. 9)
3. Sørg for, at alle dele er på plads. Se produktoversigten. Nødvendigt værktøj: Skruetrækker.

Sådan monteres filterposen

1. Flyt hovedafbryderen til positionen "0".
2. Frakobl produktet. (Fig. 10)
3. Lås hægteerne op og løft motorenheden op. (Fig. 8)
4. Sæt filterposen i støvbeholderen.
5. Fastgør papdelen af filterposen på indsugningen. Sørg for, at gummimembranen går forbi forhøjelsen på indsugningen. (Fig. 11)
6. Sæt motorenheden på støvbeholderen, og lås hægteerne. (Fig. 12)

Brug ikke produktet nær væsker, gas eller dampe, der kan forårsage brændbare atmosfærer.

Blæserfunktion



ADVARSEL: Støv kan give helbreds mæssige problemer. Dette produkt har en blæserfunktion. Blæs ikke udgående luft tilfældigt ud i lukkede områder. Brug kun blæserfunktionen med en ren slange.

Sikkerhedsinstruktioner for vedligeholdelse



ADVARSEL: Læs alle følgende advarselsinstruktioner, inden du udfører vedligeholdelse på produktet.

Sådan tømmes støvbeholderen



BEMÆRK: Rengjort materiale kan være farligt for miljøet. Bortskaf snavs i henhold til lovgivningen.

Sådan monteres tilbehøret

1. Placer tilbehøret i deres position for nem adgang. (Fig. 13)
2. Fastgør værktøjskassen på bagsiden af produktet. (Fig. 14)
3. Fastgør holderen til kablet og slangen bag på produktet. (Fig. 15)

Sådan monteres slangen

1. Sæt slangen i indsugningen foran på produktet. (Fig. 16)
2. Slut apparatet til stikkontakten.
3. Flyt hovedafbryderen til positionen "I". (Fig. 17)
4. Indstil sugestykken på håndtaget eller på hovedafbryderen*. *Kun på nogle modeller. (Fig. 18)

Sådan monteres rørholderen

1. Flyt rørholderen lodret på forlængerrøret.
2. Brug en skruetrækker til at montere rørholderen ved korrekt højde på forlængerrøret. (Fig. 19)
3. Anbring forlængerrøret på holderne på bagsiden af produktet. (Fig. 20)

Indledning



ADVARSEL: Før du bruger produktet, skal du læse og forstå kapitlet om sikkerhed.

Sådan startes produktet

Før produktet anvendes, skal du sørge for, at frekvensen og spændingen vist på typeskiltet er den samme som netspændingen.

1. Sørg for, at hovedafbryderen er i position "0". (Fig. 10)
2. Kontrollér, om de korrekte filtre sidder rigtigt i produktet.
3. Sæt slangen i indsigningen på forsiden af produktet. Skub slangen frem, indtil den sidder fast i indsigningen. (Fig. 16)
4. Forbind de to forlængerrør med håndtaget. Drej forlængerrørene for at sikre, at de sidder korrekt på plads.
5. Fastgør et mundstykke til forlængerrøret. Vælg mundstykket efter hvilken type materiale, der skal rengøres.
6. Slut stikket til stikkontakten.
7. Flyt hovedafbryderen til positionen "I" for at starte produktet. (Fig. 17)

Sådan standses produktet

1. Flyt hovedafbryderen til positionen "0" for at stoppe produktet.
2. Tag stikket ud af stikkontakten. (Fig. 10)

Sådan bruges blæserfunktionen

1. Sæt slangen i åbningen på bagsiden af produktet. (Fig. 21)
2. Slut stikket til stikkontakten.
3. Flyt hovedafbryderen til positionen "I". (Fig. 17)
4. Juster blæseeffekten på håndtaget eller hovedafbryderen*. *Kun på nogle modeller. (Fig. 22)

Sådan bruges elværktøjsstikket*

*Kun på nogle modeller.



BEMÆRK: Følg brugsvejledningen og sikkerhedsanvisninger for apparater tilsluttet elværktøjsstikket.

Bemærk: Det maksimale strømforbrug på det tilsluttede værktøj beskrives i afsnit *Tekniske data på side 62*.

1. Sørg for, at kontakten på elværktøjet er i position "0". (Fig. 23)
2. Fjern håndtaget fra slangen. Tryk på klapperne på enden af slangen (A), og træk håndtaget (B) ud. (Fig. 24)
3. Tilslut elværktøjsadapteren. (Fig. 25)
4. Indstil sugestykken på elværktøjsadapteren eller på hovedafbryderen*. *Kun på nogle modeller. (Fig. 26)
5. Slut slangen til indsigningen på produktet og på elværktøjet. Slut kablet fra elværktøjet til den elektriske tilslutning på produktet. (Fig. 27)
6. Sørg for, at kontakten på elværktøjet er i position "0". (Fig. 23)
7. Drej hovedafbryderen på produktet til elværktøjspositionen (A).
8. Sæt kontakten for elværktøjet til "I" (B). (Fig. 28)

Bemærk: Du kan starte og stoppe produktet med hovedafbryderen på produktet (A) eller på elværktøjet (B).

Sådan rengøres væsker

Bemærk: Dette produkt har et flydersystem, der stopper luftstrømmen gennem produktet, når den maksimale væskestand nås.



BEMÆRK: Rengør ikke væske uden flydersystemet.

1. Sørg for, at filteret og filterspændingen (flydersystemer) er i position, se *Sådan udskiftes filteret på side 61*. Fjern filterposen, hvis den er isat.
2. Brug gulvmundstykket til rengøring af væsker.
3. Når det maksimale væskniveau nås, kan en mærkbar ændring af motoren høres. Sugestykken mindskes.
4. Stop produktet, se *Sådan standses produktet på side 59*.
5. Tøm støvbeholderen, se *Sådan tømmes støvbeholderen efter opsamling af væsker på side 60*.

Vedligeholdelse

Indledning



ADVARSEL: Inden der foretages vedligeholdelse, skal du læse og forstå kapitlet om sikkerhed.

Alt service- og reparationsarbejde på produktet kræver specialuddannelse. Vi garanterer faglig korrekt reparation og service. Hvis forhandleren ikke er et serviceværksted, kan vedkommende oplyse om nærmeste serviceværksted.

Regelmæssig vedligeholdelse og eftersyn

- Regelmæssig vedligeholdelse og inspektion af produktet skal udføres af kvalificeret personale i henhold til relateret lovgivning og regler.
- Elektriske test af jordforbindelse, isolationsmodstand, og tilstanden på den fleksible ledning skal udføres regelmæssigt.
- Hvis en defekt opdages, **skal** produktet tages ud af brug og repareres af en godkendt servicetekniker.

Vedligeholdelse af Støvklasser L-produkter

Nedenstående gælder for Støvklasser L-produkter, WDC 325L.

- I forbindelse med vedligeholdelse og rengøring skal produktet bruges sikkert i forhold til vedligeholdelsespersonale eller andre personer.
- I vedligeholdelsesområdet:
 - Brug obligatorisk, filteret luftstrøm.
 - Bær beskyttelsestøj.
 - Rengør vedligeholdelsesområdet, så ingen skadelige materialer kan komme ud i andre områder.
- Hvis delene ikke kan rengøres tilfredsstillende under vedligeholdelse og reparation:
 - Anbring delene i korrekt forseglede poser.
 - Bortskaf delene i henhold til lovgivningen.

Sådan tømmes støvbeholderen efter opsamling af væsker

1. Stop produktet, se *Sådan standses produktet på side 59*.
2. Frakobl slangen fra indsugningen ved at trække slangen ud.
3. Lås hægterne op og løft motorenheden op. (Fig. 8)
4. Tøm støvbeholderen ved at vippe den bagud og hælde væsken ud i et gulvafløb. * Kun håndtag på nogle modeller. (Fig. 29)



BEMÆRK: Tøm og rengør altid støvbeholderen og flydersystemet efter rengøring af væske. Undlad at opsuge væske uden flydersystemet og filtret i produktet.

5. Sæt motorenheden på støvbeholderen, og lås hægterne. (Fig. 12)

Sådan tømmes støvbeholderen efter opsamling af tørt materiale

1. Stop produktet, se *Sådan standses produktet på side 59*.
2. Lås hægterne op og løft motorenheden op. (Fig. 8)
3. Kontrollér, om filterposen er fuld.
4. Fjern filterposen, hvis den er fuld.



BEMÆRK: Undlad at opsuge tørt materiale uden filtret og filterposen på plads.

5. Isæt en ny filterpose, se *Sådan monteres filterposen på side 58*.

Bemærk: Produktets sugestykke afhænger af målene på og kvaliteten af filtret og filterposen. Brug kun filter og filterposer fra Husqvarna.

6. Sæt motorenheden på støvbeholderen, og lås hægterne. (Fig. 12)

Sådan rengøres filtret, filterrensesystem

Dette produkt har et semiautomatisk filterrensesystem. Brug filterrensesystemet regelmæssigt, senest når rengøringsevnen ikke længere er tilstrækkelig. Regelmæssig brug af filterrensesystemet øger filtrets levetid.

1. Rengør filtret, når sugestykken ikke længere er tilstrækkelig. (Fig. 30)
2. Sæt slangen i indsugningen foran på produktet. (Fig. 16)
3. Slut apparatet til stikkontakten.
4. Flyt hovedafbryderen til positionen "I". (Fig. 17)
5. Anbring håndtaget i hånden (A) for at foretage sugning i hånden.
6. Tryk på filterrenseknappen 3 gange med din hånd (B). (Fig. 31)
7. Hvis sugestykken ikke er tilstrækkelig, skal du fjerne filtret, se *Sådan udskiftes filtret på side 61*.
8. Ryst, børst eller vask filtret for at rense det.

- Lad filteret tørre.
- Sæt filteret i, se *Sådan monteres filterposen på side 58*.

Sådan rengøres produktet udvendigt

- Stop produktet, se *Sådan standses produktet på side 59*.
- Rengør produktet med en tør klud og en lille mængde spraypudsemiddel.

Sådan udskiftes filteret

Produktet er beregnet til kontinuerligt tungt arbejde. Afhængigt af antallet af driftstimer skal filteret udskiftes.

- Stop produktet, se *Sådan standses produktet på side 59*.
- Lås hæfterne op og løft motorenheden op. (Fig. 8)
- Drej filterspændingen (A) mod uret, og træk den ud. Træk filteret ud (B). (Fig. 32)
- Indsæt et nyt filter (A). Monter filterspændingen (B), og drej den med uret. (Fig. 33)

- Sørg for, at filteret og filterspændingen er på plads. (Fig. 34)
- Sæt motorenheden på støvbeholderen, og lås hæfterne. (Fig. 12)

Sådan udskiftes filterposen

- Stop produktet, se *Sådan standses produktet på side 59*.
- Lås hæfterne op og løft motorenheden op. (Fig. 8)
- Kontrollér, om filterposen er fuld. Fjern filterposen, hvis den er fuld.
- Træk papdelen på den gamle filterpose væk fra indsugningen.
- Løft filterposen (A) op, og bortskaf den.
- Sæt den nye filterpose i støvbeholderen (B).
- Fastgør papdelen af filterposen på indsugningen (C). Sørg for, at gummimembranen går forbi forhøjelsen på indsugningen. (Fig. 35)
- Sæt motorenheden på støvbeholderen, og lås hæfterne. (Fig. 12)

Transport, opbevaring og bortskaffelse

Transport og opbevaring

- Efter brug:
 - Tag stikket ud af stikkontakten, når produktet ikke er i brug.
 - Rul ledningen op, startende fra produktet.
 - Brug kabelholderen til at fastgøre ledningen på motorenheden.
 - Rul slangen op.
 - Brug slangeholderen til at fastgøre slangen på motorenheden.
- Transport:
 - Luk alle hæfter på motorenheden.
 - Vip ikke apparatet, hvis der er væske i støvbeholderen.
 - Brug ikke en krankrog til at løfte produktet.
- Opbevaring:
 - Opbevar produktet på et tørt og frostfrit sted.

Sådan genanvendes produktet

Følg disse trin for at gøre produktet uanvendeligt.

- Tag stikket ud af stikkontakten.
- Klip strømledningen.
- Bortskaf ikke produktet som husholdningsaffald.

Bortskaffelse (i overensstemmelse med 2012/19/EF):

Produktet må ikke bortskaffes sammen med almindeligt husholdningsaffald. Det skal bortskaffes i henhold til lokale miljøbestemmelser.

Sørg for, at produktet bortskaffes på en lokal genbrugsstation.

(Fig. 5)

Tekniske data

Tekniske data

	EU/CH		DK		AU/NZ		USA
	WDC 220	WDC 325L	WDC 220	WDC 325L	WDC 220	WDC 325L	WDC 225
Spænding, V	220-240	220-240	220-240	220-240	220-240	220-240	110-120
Power P_{rec} , W	1000	1200	1000	1000	1000	1000	1000
Tilsluttet belastning for stik på apparat, W	-	2400 /1100	-	1900	-	1300	-
Frekvens, Hz	50/60				50-60		50/60
Sikring, A	10	16/10	13	13	10	10	15
Beskyttelseskategori (fugtig, støv)	IPX4						
Beskyttelsesklasse (elektrisk)	II (Fig. 4)	I	II (Fig. 4)	I	II (Fig. 4)	I	II (Fig. 4)
Luftvolumenstrøm, l/ min.	3600	3700	3600	3600	3600	3600	3200
Luftvolumenstrøm, cfm	127	130	127	127	127	127	113
vakuum, mbar	210	235	210	210	210	210	210
Lydtryksniveau ved 1 m, EN 60704-1, dB(A) +/- 2	72						
Vibration ISO 5349, m/s^2 +/- 1	<1,5						
Vægt, kg	7,5	8,5	7,5	8,5	7,5	8,5	7,5
Bredde, mm	377	376	377	376	377	376	377
Dybde, mm	385	392	385	392	385	392	392
Højde, mm	506	533	506	530	506	530	550

EU-overensstemmelseserklæring

EU-overensstemmelseserklæring

Husqvarna AB, SE-561 82 Huskvarna, Sverige, tlf.:

+46-36-146500, erklærer hermed, at **støvsugerør**

Husqvarna WDC 220, 3325L opfylder forskrifterne i RÅDETS DIREKTIV:

- af den 17. maj 2006 "angående maskiner"
2006/42/EF
- af den 26. februar 2014 "angående elektromagnetisk kompatibilitet" **2014/30/EU**

Der er anvendt følgende standarder:

EN 60335-1:2012+A11:2014, EN 60335-2-69:2012, EN 55014-1:2006+A1:2009+A2:2011, EN 55014-2:2015, EN 61000-3-2:2014, EN 61000-3-3:2013

Hvis ikke andet er angivet, er de ovennævnte standarder de senest udgivne versioner.

Huskvarna, 2018-08-01



Cornelia Ekbladh , Director Product Management

Inhalt

Einleitung.....	64	Wartung.....	72
Sicherheit.....	65	Transport, Lagerung und Entsorgung.....	73
Montage.....	70	Technische Daten.....	75
Betrieb.....	71	EU-Konformitätserklärung.....	76

Einleitung

Produktbeschreibung

Das Gerät ist ein Mehrzweck-Staubsauger zur kommerziellen Nutzung.

Verwendungszweck

Benutzen Sie das Gerät zum Beseitigen von trockenem, nicht-brennbarem Staub und von Flüssigkeiten.

Produktübersicht WDC 220, WDC 225

(Abb. 1)

1. Hauptschalter
2. Filterreinigungssystem
3. Ansaugöffnung
4. Räder
5. Kabelhalter, Schlauchhalter
6. Filterbeutel

Produktübersicht WDC 325L

(Abb. 2)

1. Hauptschalter
2. Filterreinigungssystem
3. Ansaugöffnung
4. Räder
5. Kabelhalter, Schlauchhalter
6. Filterbeutel
7. Blasdüse
8. Handgriff
9. Bodendüse
10. Fugendüse
11. Bedienungsanleitung
12. Rohrverlängerung
13. Schlauch
14. Elektrowerkzeug-Adapter
15. Elektrischer Anschluss für das Elektrowerkzeug
16. Werkzeugkasten

Symbole auf dem Gerät

(Abb. 3) Lesen Sie die Bedienungsanleitung sorgfältig durch und machen Sie sich vor der Benutzung mit dem Inhalt vertraut.

Lesen und befolgen Sie die Sicherheitshinweise und die Bedienungshinweise.

Führen Sie bei diesem Gerät nur die vom Hersteller angegebenen Wartungs- und Reparaturarbeiten durch.

Der Hersteller übernimmt keine Haftung für Schäden, die durch unsachgemäße Anwendung sowie unsachgemäße Wartungs- oder Reparaturarbeiten entstanden sind.

7. Blasdüse
8. Handgriff
9. Bodendüse
10. Fugendüse
11. Bedienungsanleitung
12. Rohrverlängerung
13. Schlauch

(Abb. 4) Das Gerät ist doppelt isoliert.

(Abb. 5) Entsorgen Sie das Gerät nicht über den Hausmüll. Beachten Sie die örtlichen Vorschriften.

(Abb. 6) Dieses Gerät entspricht den geltenden CE-Richtlinien.

Hinweis: Weitere Symbole/Aufkleber auf dem Gerät beziehen sich auf die Zertifizierungsanforderungen für andere kommerzielle Bereiche.

Staubklasse L

(Abb. 7)

Beachten Sie die Sicherheitshinweise und Maßnahmen für die Staubklasse L.

Produkthaftung

Im Sinne der Produkthaftungsgesetze übernehmen wir keine Haftung für Schäden, die unser Gerät verursacht, wenn...

- das Gerät nicht ordnungsgemäß repariert wird.

- das Gerät mit Teilen repariert wird, die nicht vom Hersteller stammen oder nicht vom Hersteller zugelassen sind.
- ein Zubehörteil mit dem Gerät verwendet wird, das nicht vom Hersteller stammt oder nicht vom Hersteller zugelassen ist.
- das Gerät nicht bei einem zugelassenen Service Center oder von einem zugelassenen Fachmann repariert wird.

Sicherheit

Sicherheitsdefinitionen

Warnungen, Vorsichtsmaßnahmen und Hinweise werden verwendet, um auf besonders wichtige Teile der Bedienungsanleitung hinzuweisen.



WARNUNG: Wird verwendet, wenn bei Nichtbeachtung der Anweisungen in diesem Handbuch die Gefahr von Verletzung oder Tod des Bedieners oder anderer Personen besteht.



ACHTUNG: Wird verwendet, wenn bei Nichtbeachtung der Anweisungen in diesem Handbuch die Gefahr von Schäden am Gerät, an anderen Materialien oder in der Umgebung besteht.

Hinweis: Für weitere Informationen, die in bestimmten Situationen nötig sind.

Allgemeine Sicherheitshinweise



WARNUNG: Lesen Sie die folgenden Warnhinweise, bevor Sie das Gerät benutzen.

- Wenn das Gerät und/oder ein Zubehörteil beschädigt ist, muss es von einem autorisierten Service Center instand gesetzt werden. Verwenden Sie das Gerät nicht, wenn es beschädigt ist.
- Lassen Sie nicht zu, dass Kinder das Gerät verwenden. Erlauben Sie nicht, dass Personen ohne Kenntnis der Bedienungsanweisungen das Gerät benutzen oder es warten.
- Das Gerät darf nur unter Beaufsichtigung benutzt werden.
- Stellen Sie sicher, dass Personen mit verminderter physischer oder psychischer Leistungsfähigkeit dieses Gerät nicht unbeobachtet verwenden.
- Kinder müssen überwacht werden, um sicherzustellen, dass sie nicht mit dem Gerät spielen.
- Verzichten Sie auf gefährliche Arbeitsabläufe.
- Verwenden Sie das Gerät nur, wenn sich die Filter in der richtigen Position befinden.
- In folgenden Situationen sollten Sie das Gerät ausschalten und den Netzstecker ziehen:
 - Vor Reinigung und Wartung.
 - Vor einer Reparatur.
 - Bei Schaum oder Flüssigkeiten in der Nähe.
- Entfernen Sie sich nicht vom Gerät, wenn es

angeschlossen ist. Ziehen Sie den Netzstecker, wenn es nicht in Betrieb ist; ebenso vor Wartungsarbeiten.

- Verwenden Sie dieses Gerät nicht, wenn Kabel oder Stecker beschädigt sind. Ziehen Sie direkt am Stecker, nicht am Kabel, um das Gerät von der Stromversorgung zu trennen. Fassen Sie den Netzstecker oder das Gerät nicht mit nassen Händen an. Setzen Sie alle Bedienelemente zurück, bevor Sie das Gerät von der Stromversorgung trennen.
- Ziehen Sie das Gerät auf keinen Fall am Kabel. Verwenden Sie das Kabel nicht als Griff. Klemmen Sie das Kabel nicht in oder unter einer Tür ein und ziehen Sie das Kabel nicht um scharfe Ecken und Kanten. Führen Sie das Gerät nicht über das Kabel. Halten Sie das Kabel von heißen Oberflächen fern.
- Stellen Sie sicher, dass keine Haare, Kleidungsstücke, Finger oder andere Körperteile in die Nähe von Öffnungen und beweglichen Teilen gelangen. Stecken Sie keine Gegenstände in die Öffnungen und betreiben Sie das Gerät nicht mit blockierter

Ansaugöffnung. Halten Sie die Öffnungen frei von Staub, Haaren und Materialien, die den Luftstrom beeinträchtigen können.

- Saugen Sie keinen gefährlichen Staub mit WDC 220, WDC 225.
- Saugen Sie keine brennbaren Flüssigkeiten wie z. B. Benzin. Verwenden Sie das Gerät nicht in Bereichen, in denen sich solche Flüssigkeiten befinden.
- Nehmen Sie mit dem Gerät keine brennenden oder rauchenden Gegenstände oder Substanzen wie Zigaretten, Streichhölzer oder heiße Asche auf.
- Seien Sie vorsichtig bei der Benutzung des Geräts auf einer Treppe.
- Falls Schaum oder Flüssigkeit aus dem Gerät austreten, schalten Sie es sofort aus.
- Verwenden Sie das Gerät nicht als Wasserpumpe.
- Schließen Sie das Gerät nur an eine ordnungsgemäß geerdete Steckdose an. Steckdose und Verlängerungskabel müssen über einen funktionierenden Schutzleiter verfügen (gilt nur

für Geräte, die nicht doppelt isoliert sind).

- Achten Sie im Arbeitsbereich auf eine gute Belüftung.
- Verwenden Sie das Gerät nicht als Leiter oder Stehleiter.
- Wenn Staubentferner verwendet werden, muss die Rate, mit der Luft im Raum ausgetauscht wird, angemessen sein, wenn die Abluft aus dem Staubsauger in den Raum geblasen wird. Halten Sie sich auch vor dem Einsatz des Geräts an die nationalen Vorschriften.
- Bei Geräten mit der Staubklasse L WDC 325L sollten Sie den Bediener/die Bedienerin des Geräts vor der Benutzung schulen und ihm/ihr Folgendes erläutern:
 - Verwendung des Geräts.
 - Risiken des aufzusaugenden Materials.
 - Sichere Entsorgung des aufgesaugten Materials.
- Für Geräte der Staubklasse L WDC 325L gilt Folgendes:
 - Benutzen Sie das Gerät zum Beseitigen von trockenem, nicht-brennbarem Staub und Flüssigkeiten sowie gefährlichen Stäuben mit

Arbeitsplatzgrenzwert¹⁾ Wert > 1 mg/m³. Staub Klasse L (IEC 60335-2 -69). Staub mit dieser Klasse hat den Arbeitsplatzgrenzwert¹⁾ Werte > 1 mg/m³.

- Geräte mit der Staubklasse L verfügen über ein geprüftes Filtermaterial. Das Maximum an Durchlässigkeit ist 1 %. Es gibt keine besondere Vorschrift für die Entsorgung.

Hinweis: Halten Sie sich an die lokalen gesetzlichen Bestimmungen. Diese können Altersbeschränkungen vorschreiben.

Sicherheit für doppelt isolierte Geräte



WARNUNG: Verwenden Sie das Gerät nur entsprechend den Angaben in dieser Betriebsanleitung und nur mit dem vom Hersteller empfohlenen Zubehör.



WARNUNG: Gilt nur für **Großbritannien: Lesen Sie diese wichtigen Hinweise.** Bei diesen Anweisungen stehen Sicherheit und Effizienz an erster Stelle. Der Bediener muss von einem zugelassenen Ausbilder geschult werden und diese Anweisungen verstehen. Der Bediener muss alle zugehörigen Vorschriften und Bestimmungen kennen, die zum Zeitpunkt der Benutzung dieses Geräts gelten.



WARNUNG: **Bevor Sie das Gerät an die Stromversorgung anschließen:** Stellen Sie sicher, dass die Netzspannung und die Netzfrequenz des Netzteils mit den Daten auf dem Typenschild des Nass-/Trockenstaubsaugers übereinstimmen.



WARNUNG: Dieses Gerät verfügt über eine doppelte Isolierung. Verwenden Sie nur Husqvarna Originalersatzteile. Lesen Sie

die Anweisungen zu Wartungsarbeiten an doppelt isolierten Geräten.



WARNUNG: Das Gerät verfügt über ein spezielles Kabel. Wenn das Kabel beschädigt ist, muss es durch ein Kabel desselben Typs ersetzt werden. Dieses Kabel ist bei autorisierten Service Centern und Händlern erhältlich und muss durch autorisiertes Personal montiert werden.



WARNUNG: Wartungsarbeiten an einem doppelt isolierten Gerät erfordern Kenntnisse des Systems. Ein doppelt isoliertes Gerät verfügt über zwei Isoliersysteme anstelle der Erdung. Es besteht keine Möglichkeit der Erdung bei einem doppelt isolierten Gerät, und es darf auch keine installiert werden. Wartungsarbeiten dürfen nur von autorisiertem Personal durchgeführt werden. Ersatzteile für ein doppelt isoliertes Gerät müssen mit den zu ersetzenden Teilen identisch sein. Ein doppelt isoliertes Gerät ist an einer Aufschrift wie etwa „DOUBLE INSULATION“ bzw. „DOPPELTE ISOLIERUNG“ oder „DOUBLE INSULATED“ bzw. „DOPPELT ISOLIERT“ zu erkennen. Unter Umständen ist auch ein Symbol auf dem Gerät abgebildet.



WARNUNG: Der obere Teil des Staubsaugers enthält stromführende Bauteile. Der Kontakt mit stromführenden Bauteilen führt zu schweren oder sogar tödlichen Verletzungen.

- Sprühen Sie niemals Wasser auf den oberen Teil des Staubsaugers.



WARNUNG: Stromschlag durch defektes Netzkabel. Das Berühren eines defekten Netzkabels kann zu schweren oder sogar tödlichen Verletzungen führen.

- Beschädigen Sie nicht das Hauptstromkabel (z. B. durch Überfahren, Ziehen oder starkes Knicken/Quetschen).
- Prüfen Sie regelmäßig, ob das Netzkabel beschädigt ist oder Anzeichen von Alterung aufweist.
- Ist das Kabel beschädigt, muss es durch einen autorisierten Husqvarna Händler oder eine ähnlich qualifizierte Person ausgetauscht werden, um Gefahren zu vermeiden.

Elektrische Sicherheit

- Wir empfehlen, dass der Staubsauger über einen Fehlerstrom-Schutzschalter angeschlossen wird.
- Ordnen Sie die elektrischen Bauteile (Dosen, Stecker und Anschlusssteile) und legen Sie das Verlängerungskabel so, dass die Schutzklasse beibehalten wird.
- Stecker und Anschlusssteile für Stromkabel und Verlängerungskabel müssen wasserdicht sein.

Verlängerungskabel

- Verwenden Sie als Verlängerungskabel nur die vom Hersteller angegebene Version, oder eine noch höhere Qualität.
- Wenn Sie ein Verlängerungskabel benutzen, prüfen Sie bitte den minimalen Querschnitt des Kabels:

Kabellänge	Querschnitt	
	< 16 A	< 25 A
< 20 m	1,5 mm ²	2,5 mm ²
20-50 m	2,5 mm ²	4,0 mm ²

- Unter keinen Umständen darf das Netzkabel um die Finger oder irgendwelche Körperteile des Bedieners gewickelt werden.



ACHTUNG: Die Gerätesteckdose (nur bei einigen Modellen) ist nur für die Zwecke vorgesehen, die in der Betriebsanleitung beschrieben werden. Der Anschluss unterschiedlicher Geräte kann zu Beschädigungen führen.

-
- Schalten Sie den Staubsauger vor dem Anschließen eines Gerätes immer erst aus, ebenso das anzuschließende Gerät.
 - Lesen Sie die Betriebsanleitung des Gerätes, das angeschlossen werden soll, und beachten Sie die darin enthaltenen Sicherheitshinweise.



ACHTUNG: Schäden durch nicht geeignete Netzspannung. Das Gerät kann beschädigt werden, wenn es an eine nicht geeignete Netzspannung angeschlossen wird.

- Stellen Sie sicher, dass die Netzspannung und die Netzfrequenz des Netzteils mit den Daten auf dem Typenschild des Nass-/Trockenstaubsaugers übereinstimmen.

Sicherheitshinweise für den Betrieb

Zum Aufsaugen von Flüssigkeiten



ACHTUNG: Verwenden Sie den Staubsauger nicht zum Aufnehmen von brennbaren Flüssigkeiten.

-
- Entfernen Sie den Filterbeutel, bevor Sie Flüssigkeiten aufsaugen. Stellen Sie sicher, dass der Schwimmer oder der Wasserstandsbegrenzer ordnungsgemäß funktionieren.
 - Benutzen Sie ein spezielles Filterelement oder Filtersieb.
 - Falls Schaum aus dem Gerät austritt, beenden Sie sofort Ihre Arbeit und leeren Sie den Tank.

Gefährliche Materialien



WARNUNG: Saugen Sie keine gefährlichen Materialien auf. Dies kann zu Verletzungen führen.

-
- Saugen Sie keines der folgenden Materialien auf:
 - gefährlicher Staub
 - heiße Materialien, z. B. eine brennende Zigarette und heiße Asche.
 - entzündliche, explosive, aggressive Flüssigkeiten, z. B. Benzin, Lösungsmittel, Säuren und Laugen.
 - brennbare, explosiven Stäube, z. B. Magnesium- oder Aluminium-Staub.

Ersatzteile und Zubehör



ACHTUNG: Verwenden Sie ausschließlich Ersatz- und Zubehörteile zur Sicherheit des Gerätes.

-
- Verwenden Sie ausschließlich Ersatzteile und Zubehör von Husqvarna.
 - Verwenden Sie nur die Bürsten, die mit dem Gerät geliefert wurden, oder in der Bedienungsanleitung genannt werden.

Explosionsfähige oder entflammbare Atmosphäre



ACHTUNG: Verwenden Sie das Gerät nie in explosionsfähigen oder entflammbaren Atmosphären. Verwenden Sie das Gerät nie in der Nähe von Flüssigkeiten, Gasen oder Dämpfen, die entflammbare Atmosphären verursachen können.

Zufallsprinzip in geschlossene Bereiche blasen. Verwenden Sie die Gebläsefunktion nur mit einem sauberen Schlauch.

Sicherheitshinweise für die Wartung



WARNUNG: Lesen Sie alle Warnhinweise, bevor Sie das Gerät warten.

Funktion des Gebläses



WARNUNG: Staub kann zu gesundheitlichen Problemen führen. Dieses Gerät verfügt über eine Gebläsefunktion. Die ausströmende Luft nicht nach dem

Entleeren Sie den Schmutzbehälter



ACHTUNG: Aufgesaugtes Material kann gefährlich sein für die Umwelt. Entsorgen Sie den Schmutz nach den gesetzlichen Vorschriften.

Montage



WARNUNG: Lesen Sie vor der Montage des Geräts das Kapitel über Sicherheit, und machen Sie sich damit vertraut.

Anbringen des Zubehörs

1. Bringen Sie die Zubehöerteile an der jeweils vorgesehenen Stelle an. (Abb. 13)
2. Befestigen Sie den Werkzeugkasten an der Rückseite des Geräts. (Abb. 14)
3. Befestigen Sie die Halterung für das Kabel und den Schlauch an der Rückseite des Geräts. (Abb. 15)

Vor der Installation

1. Entriegeln Sie die Verschlüsse und heben Sie die Motoreinheit ab. (Abb. 8)
2. Nehmen Sie das Zubehör aus dem Schmutzbehälter. (Abb. 9)
3. Vergewissern Sie sich, dass alle Teile vorhanden sind. Lesen Sie dazu die Produktübersicht.
Erforderliches Werkzeug: Schraubendreher

Einsetzen des Schlauchs

1. Stecken Sie den Schlauch in die Ansaugöffnung an der Vorderseite des Geräts. (Abb. 16)
2. Schließen Sie das Gerät an die Stromversorgung an.
3. Stellen Sie den Hauptschalter auf die Position I. (Abb. 17)
4. Stellen Sie die Saugleistung am Handgriff ein, oder über den Hauptschalter*. *Nur bei manchen Modellen. (Abb. 18)

Einsetzen des Filterbeutels

1. Stellen Sie den Hauptschalter auf Position 0.
2. Trennen Sie das Gerät von der Stromversorgung. (Abb. 10)
3. Entriegeln Sie die Halteklammern und heben Sie die Motoreinheit ab. (Abb. 8)
4. Setzen Sie den Filterbeutel in den Schmutzbehälter.
5. Befestigen Sie das Kartenteil des Filterbeutels an der Ansaugöffnung. Die Gummimembran muss über die Erhöhung der Ansaugöffnung geführt werden. (Abb. 11)
6. Setzen Sie die Motoreinheit auf den Schmutzbehälter und schließen Sie die Halteklammern. (Abb. 12)

Montieren des Rohrhalters

1. Bewegen Sie den Rohrhalter senkrecht an der Rohrverlängerung.
2. Verwenden Sie einen Schraubendreher, um den Rohrhalter in der richtigen Länge an der Rohrverlängerung zu montieren. (Abb. 19)
3. Befestigen Sie die Rohrverlängerung in den Halterungen an der Rückseite des Geräts. (Abb. 20)

Einleitung



WARNUNG: Vor dem Betrieb des Gerätes müssen Sie die Sicherheitsinformationen lesen und verstehen.

So starten Sie das Gerät

Stellen Sie vor dem Gebrauch des Gerätes sicher, dass die Frequenz und die Spannung auf dem Typenschild mit der Netzspannung übereinstimmt.

1. Stellen Sie sicher, dass sich der Hauptschalter in Position „0“ befindet. (Abb. 10)
2. Prüfen Sie, ob die richtigen Filter korrekt im Gerät eingesetzt sind.
3. Stecken Sie den Schlauch in die Ansaugöffnung an der Vorderseite des Geräts. Schieben Sie den Schlauch nach vorne, bis er fest an der Ansaugöffnung angebracht ist. (Abb. 16)
4. Verbinden Sie die zwei Rohrverlängerungen mit dem Griff. Drehen Sie die Rohrverlängerungen, um sicherzustellen, dass sie in der richtigen Position sind.
5. Befestigen Sie eine Düse an der Rohrverlängerung. Wählen Sie die Düse passend zu dem Material, das Sie aufsaugen möchten.
6. Verbinden Sie den Stecker mit der Stromversorgung.
7. Stellen Sie den Hauptschalter auf Position „I“, um das Gerät zu starten. (Abb. 17)

So stoppen Sie das Gerät

1. Stellen Sie den Hauptschalter auf Position „0“, um das Gerät zu starten.
2. Trennen Sie das Gerät von der Stromversorgung. (Abb. 10)

Gebrauch der Gebläsefunktion

1. Stecken Sie den Schlauch in die Öffnung an der Rückseite des Geräts. (Abb. 21)
2. Verbinden Sie den Stecker mit der Stromversorgung.
3. Stellen Sie den Hauptschalter auf die Position I. (Abb. 17)
4. Stellen Sie die Gebläseleistung am Handgriff ein, oder über den Hauptschalter*. *Nur bei manchen Modellen. (Abb. 22)

Verwendung der Gerätesteckdose

*Nur bei manchen Modellen.



ACHTUNG: Befolgen Sie die Betriebshinweise und Sicherheitsvorschriften für Geräte, die an die Gerätesteckdose angeschlossen werden.

Hinweis: Die maximale Stromaufnahme des angeschlossenen Geräts finden Sie in Abschnitt *Technische Daten* auf Seite 75.

1. Stellen Sie sicher, dass der Schalter des Elektrowerkzeugs auf Position „0“ steht. (Abb. 23)
2. Trennen Sie den Griff vom Schlauch. Drücken Sie die Klappen am Schlauchende (A) und ziehen Sie den Griff (B) heraus. (Abb. 24)
3. Schließen Sie den Elektrowerkzeug-Adapter an. (Abb. 25)
4. Stellen Sie die Saugleistung am Adapter ein, oder über den Hauptschalter*. *Nur bei manchen Modellen. (Abb. 26)
5. Verbinden Sie den Schlauch mit der Ansaugöffnung des Geräts und dem Elektrowerkzeug. Schließen Sie das Kabel des Elektrowerkzeugs an die Steckdose des Staubsaugers an. (Abb. 27)
6. Stellen Sie sicher, dass der Schalter des Elektrowerkzeugs auf Position „0“ steht. (Abb. 23)
7. Drehen Sie den Hauptschalter des Geräts auf die Stellung des Elektrowerkzeugs (A).
8. Stellen Sie den Schalter des Elektrowerkzeugs auf die Position „I“ (B). (Abb. 28)

Hinweis: Sie können das Gerät am Hauptschalter (A) oder am Elektrowerkzeug (B) ein- und ausschalten.

Aufsaugen von Flüssigkeiten

Hinweis: Das Gerät verfügt über ein Schwimmersystem, das den Luftstrom durch das Gerät beim Erreichen des maximalen Flüssigkeitsstands unterbricht.



ACHTUNG: Saugen Sie keine Flüssigkeit auf, wenn das Schwimmersystem nicht eingerichtet ist.

1. Stellen Sie sicher, dass Filter und Filterspanner (das Schwimmersystem) richtig eingesetzt sind, siehe dazu *Austausch des Filters* auf Seite 73. Entfernen Sie den Filterbeutel, falls er eingesetzt ist.
2. Verwenden Sie die Bodendüse, um Flüssigkeit aufzusaugen.

3. Wenn der maximale Flüssigkeitsstand erreicht ist, kann eine auffällige Veränderung des Motorgeräuschs wahrgenommen werden. Die Saugleistung lässt nach.
4. Schalten Sie das Gerät aus, siehe dazu *So stoppen Sie das Gerät auf Seite 71*.

5. Leeren Sie den Schmutzbehälter, siehe dazu *Entleerung des Schmutzbehälters nach dem Aufsaugen von Flüssigkeiten auf Seite 72*.

Wartung

Einleitung



WARNUNG: Bevor Sie eine Wartung durchführen, müssen Sie das Kapitel über die Sicherheit lesen und verstehen.

Für alle Wartungs- und Reparaturarbeiten am Produkt ist eine spezielle Schulung erforderlich. Wir garantieren die Verfügbarkeit von professionellen Reparaturen und Wartungsarbeiten. Wenn Ihr Händler keine Servicewerkstatt ist, sprechen Sie mit ihm, um Informationen über die nächste Servicewerkstatt zu erhalten.

Regelmäßige Wartung und Inspektion

- Regelmäßige Wartungen und Inspektionen des Geräts müssen von qualifiziertem Personal gemäß den Vorschriften und Bestimmungen durchgeführt werden.
- Elektrische Prüfungen wie Schutzleitertest, Isolierwiderstand und der Zustand des elastischen Kabels müssen regelmäßig in kürzeren Abständen durchgeführt werden.
- Wenn ein Defekt festgestellt wird, **muss** das Gerät ausgeschaltet bleiben und von einem autorisierten Servicetechniker repariert werden.

Wartung von Geräten der Staubklasse L

Folgendes ist bei Geräten der Staubklasse L WDC 325Lzu beachten:

- Gewährleisten Sie eine sichere Wartung und Reinigung des Gerätes für das Wartungspersonal sowie andere Personen.
- Zur Beachtung für den Bereich, in dem die Wartung durchgeführt wird:
 - Verwenden Sie wie vorgeschrieben einen gefilterten Luftstrom.
 - Tragen Sie Schutzkleidung.
 - Reinigen Sie den Wartungsbereich, damit kein gesundheitsschädliches Material in andere Bereiche gelangt.
- Falls die Teile während der Wartung und Instandsetzung nicht zufriedenstellend gereinigt werden können:
 - Packen Sie die Teile in gut abgedichtete Taschen.

- Entsorgen Sie die Teile gemäß den gesetzlichen Vorschriften.

Entleerung des Schmutzbehälters nach dem Aufsaugen von Flüssigkeiten

1. Schalten Sie das Gerät aus, siehe dazu *So stoppen Sie das Gerät auf Seite 71*.
2. Lösen Sie den Schlauch durch Abziehen von der Ansaugöffnung.
3. Entriegeln Sie die Halteklammern und heben Sie die Motoreinheit ab. (Abb. 8)
4. Leeren Sie den Schmutzbehälter durch Kippen nach hinten und Entleeren der Flüssigkeiten in einen Bodenablauf. * Griff nur bei einigen Modellen vorhanden. (Abb. 29)



ACHTUNG: Entleeren und reinigen Sie den Schmutzbehälter und das Schwimmersystem immer nach dem Aufsaugen von Flüssigkeiten. Saugen Sie keine Flüssigkeit auf ohne Verwendung von Schwimmersystem und Filter.

5. Setzen Sie die Motoreinheit auf den Schmutzbehälter und schließen Sie die Halteklammern. (Abb. 12)

Entleeren des Schmutzbehälters nach dem Aufsaugen von trockenem Material

1. Schalten Sie das Gerät aus, siehe dazu *So stoppen Sie das Gerät auf Seite 71*.
2. Entriegeln Sie die Halteklammern und heben Sie die Motoreinheit ab. (Abb. 8)
3. Prüfen Sie, ob der Filterbeutel voll ist.
4. Entfernen Sie den Filterbeutel, wenn er voll ist.



ACHTUNG: Saugen Sie kein trockenes Material, ohne dass Filter und Filterbeutel eingesetzt sind.

5. Setzen Sie einen neuen Filterbeutel ein. Siehe dazu *Einsetzen des Filterbeutels auf Seite 70*.

Hinweis: Die Saug-Effizienz des Geräts hängt von der Größe und Qualität des Filters und

Filterbeutels ab. Verwenden Sie nur Filter und Filterbeutel von Husqvarna.

6. Setzen Sie die Motoreinheit auf den Schmutzbehälter und schließen Sie die Halteklammern. (Abb. 12)

Reinigen des Filters, Filter-Reinigungssystem

Das Gerät verfügt über ein halbautomatisches Filter-Reinigungssystem. Verwenden Sie das Filter-Reinigungssystem regelmäßig, jedoch spätestens, wenn die Saugleistung nicht mehr ausreichend ist. Die regelmäßige Verwendung des Filter-Reinigungssystems erhöht die Lebensdauer des Filters.

1. Reinigen Sie den Filter, wenn die Saugleistung nicht mehr ausreichend ist. (Abb. 30)
2. Stecken Sie den Schlauch in die Ansaugöffnung an der Vorderseite des Geräts. (Abb. 16)
3. Schließen Sie das Gerät an die Stromversorgung an.
4. Stellen Sie den Hauptschalter auf die Position I. (Abb. 17)
5. Nehmen Sie den Griff in die Hand (A) und prüfen Sie die Saugleistung in Ihrer Hand.
6. Betätigen Sie den Reinigungsknopf, indem Sie dreimal mit der Faust dagegen klopfen (B). (Abb. 31)
7. Wenn die Saugleistung dann nicht ausreichend sein, wechseln Sie den Filter. Siehe dazu *Austausch des Filters auf Seite 73*.
8. Schütteln, bürsten oder waschen Sie den Filter, um ihn zu reinigen.
9. Lassen Sie den Filter trocknen.
10. Setzen Sie den Filter ein. Siehe *Einsetzen des Filterbeutels auf Seite 70*.

So reinigen Sie das Gerät außen

1. Schalten Sie das Gerät aus. Siehe dazu *So stoppen Sie das Gerät auf Seite 71*.
2. Reinigen Sie das Gerät mit einem trockenen Tuch und etwas Spraypolitur.

Austausch des Filters

Das Gerät ist für den ständigen Betrieb ausgelegt. Je nach Anzahl der Betriebsstunden muss der Staubfilter ausgetauscht werden.

1. Schalten Sie das Gerät aus, siehe dazu *So stoppen Sie das Gerät auf Seite 71*.
2. Entriegeln Sie die Halteklammern und heben Sie die Motoreinheit ab. (Abb. 8)
3. Drehen Sie den Filterspanner (A) gegen den Uhrzeigersinn und ziehen Sie ihn heraus. Ziehen Sie den Filter (B) heraus. (Abb. 32)
4. Setzen Sie den neuen Filter (A) ein. Setzen Sie den Filterspanner (B) ein und drehen Sie ihn im Uhrzeigersinn. (Abb. 33)
5. Stellen Sie sicher, dass der Filter und Filterspanner eingesetzt sind. (Abb. 34)
6. Setzen Sie die Motoreinheit auf den Schmutzbehälter und schließen Sie die Halteklammern. (Abb. 12)

Austausch des Filterbeutels

1. Schalten Sie das Gerät aus, siehe dazu *So stoppen Sie das Gerät auf Seite 71*.
2. Entriegeln Sie die Halteklammern und heben Sie die Motoreinheit ab. (Abb. 8)
3. Prüfen Sie, ob der Filterbeutel voll ist. Entfernen Sie den Filterbeutel, wenn er voll ist.
4. Ziehen Sie das Kartenteil des alten Filterbeutels von der Ansaugöffnung ab.
5. Heben Sie den Filterbeutel heraus (A) und entsorgen Sie ihn.
6. Setzen Sie den neuen Filterbeutel in den Schmutzbehälter (B).
7. Befestigen Sie das Kartenteil des Filterbeutels an der Ansaugöffnung (C). Die Gummimembran muss über die Erhöhung der Ansaugöffnung geführt werden. (Abb. 35)
8. Setzen Sie die Motoreinheit auf den Schmutzbehälter und schließen Sie die Halteklammern. (Abb. 12)

Transport, Lagerung und Entsorgung

Transport und Lagerung

- Nach dem Gebrauch:
 - Trennen Sie den Stecker von der Stromversorgung, wenn das Gerät nicht verwendet wird.
 - Beginnen Sie am Gerät mit dem Aufwickeln des Kabels.
 - Befestigen Sie das Kabel am Kabelhalter an der Motoreinheit.
 - Wickeln Sie den Schlauch auf.
 - Befestigen Sie den Schlauch am Kabelhalter an der Motoreinheit.

- Transport:
 - Schließen Sie alle Halteklammern an der Motoreinheit.
 - Kippen Sie das Gerät nicht, falls sich Flüssigkeit im Schmutzbehälter befindet.
 - Verwenden Sie keinen Kranhaken zum Anheben des Geräts.
- Lagerung:
 - Bewahren Sie das Gerät an einem trockenen und frostfreien Raum auf.

Zum Recyceln des Geräts

Führen Sie die folgenden Schritte aus, um das Gerät unbrauchbar zu machen:

1. Trennen Sie das Gerät von der Stromversorgung.
2. Trennen Sie das Netzkabel vom Gerät.
3. Entsorgen Sie das Gerät nicht über den Hausmüll.

Entsorgung (gemäß 2012/19/EG):

Das Gerät darf nicht über den normalen Haushaltsmüll entsorgt werden. Es muss gemäß den geltenden lokalen Umweltschutzvorschriften entsorgt werden.

Entsorgen Sie das Gerät unbedingt über oder durch Ihre örtliche Recycling-Sammelstelle.

(Abb. 5)

Technische Daten

Technische Daten

	EU/CH		GB		AU/NZ		US
	WDC 220	WDC 325L	WDC 220	WDC 325L	WDC 220	WDC 325L	WDC 225
Spannung, V	220-240	220-240	220-240	220-240	220-240	220-240	110-120
Power P _{iec} , W	1000	1200	1000	1000	1000	1000	1000
Anschlussleistung für Gerätesteckdose, W	-	2400 /1100	-	1900	-	1300	-
Frequenz, Hz	50/60				50-60		50/60
Sicherung, A	10	16/10	13	13	10	10	15
Schutzart (Feuchtigkeit, Staub)	IPX4						
Schutzklasse (elekt- risch)	II (Abb. 4)	I	II (Abb. 4)	I	II (Abb. 4)	I	II (Abb. 4)
Luftvolumenstrom, l/min	3600	3700	3600	3600	3600	3600	3200
Luftvolumenstrom, cfm	127	130	127	127	127	127	113
Vakuum, mbar	210	235	210	210	210	210	210
Schalldruckpegel in 1 m, EN 60704-1, dB(A) +/- 2	72						
Vibrationen ISO 5349, m/s ² +/- 1	<1,5						
Gewicht, kg	7,5	8,5	7,5	8,5	7,5	8,5	7,5
Breite, mm	377	376	377	376	377	376	377
Tiefe, mm	385	392	385	392	385	392	392
Höhe, mm	506	533	506	530	506	530	550

EU-Konformitätserklärung

EG-Konformitätserklärung

Husqvarna AB, SE-561 82 Huskvarna, Schweden,
Tel.: +46-36-146500, versichert, dass der
StaubsaugerHusqvarna WDC 220, 3325L den
Anforderungen der RICHTLINIE DES RATES entspricht:

- „Maschinen-Richtlinie“ **2006/42/EG** vom 17. Mai 2006
- Richtlinie „über elektromagnetische Verträglichkeit“,
2014/30/EU vom 26. Februar 2014

Die folgenden Normen werden erfüllt:

**EN 60335-1:2012+A11:2014, EN 60335-2-69:2012, EN
55014-1:2006+A1:2009+A2:2011, EN 55014-2:2015,
EN 61000-3-2:2014, EN 61000-3-3:2013**

Sofern nicht anders angegeben, entsprechen die
oben genannten Normen den neuesten veröffentlichten
Versionen.

Huskvarna, 2018-08-01



Cornelia Ekbladh, Director Product Management

Περιεχόμενα

Εισαγωγή.....	77	Συντήρηση.....	85
Ασφάλεια.....	78	Μεταφορά, αποθήκευση και απόρριψη.....	86
Συναρμολόγηση.....	83	Τεχνικά στοιχεία.....	88
Λειτουργία.....	84	Δήλωση Συμμόρφωσης ΕΚ.....	89

Εισαγωγή

Περιγραφή προϊόντος

Το προϊόν είναι μια ηλεκτρική σκούπα πολλαπλών χρήσεων που έχει σχεδιαστεί για επαγγελματική χρήση.

Προβλεπόμενη χρήση

Χρησιμοποιήστε το προϊόν για την αναρρόφηση ξηρής, μη εύφλεκτης σκόνης και υγρών υλικών.

Διαβάστε και τηρήστε τις οδηγίες ασφαλείας και τις οδηγίες χρήσης.

Πραγματοποιείτε στο προϊόν μόνο τις εργασίες συντήρησης και επισκευής που προδιαγράφονται από τον κατασκευαστή.

Ο κατασκευαστής δεν αναλαμβάνει καμία ευθύνη για τυχόν ζημιές από ακατάλληλη χρήση, συντήρηση ή επισκευή.

Επισκόπηση προϊόντος WDC 220, WDC 225

(Εικ. 1)

1. Κεντρικός διακόπτης
2. Σύστημα καθαρισμού φίλτρου
3. Είσοδος αναρρόφησης
4. Τροχοί
5. Στήριγμα καλωδίου, στήριγμα σωλήνα
6. Φιλτράσκακος

7. Ακροφύσιο
8. Λαβή
9. Ακροφύσιο δαπέδου
10. Ακροφύσιο αρμών
11. Εγχειρίδιο χρήσης
12. Σωλήνας προέκτασης
13. Σωλήνας

Επισκόπηση προϊόντος WDC 325L

(Εικ. 2)

1. Κεντρικός διακόπτης
2. Σύστημα καθαρισμού φίλτρου
3. Είσοδος αναρρόφησης
4. Τροχοί
5. Στήριγμα καλωδίου, στήριγμα σωλήνα
6. Φιλτράσκακος
7. Ακροφύσιο
8. Λαβή
9. Ακροφύσιο δαπέδου
10. Ακροφύσιο αρμών
11. Εγχειρίδιο χρήσης
12. Σωλήνας προέκτασης
13. Σωλήνας
14. Προσαρμογέας ηλεκτρικών εργαλείων
15. Ηλεκτρική σύνδεση ηλεκτρικών εργαλείων
16. Εργαλειοθήκη

(Εικ. 4) Η μονάδα διαθέτει διπλή μόνωση.

(Εικ. 5) Μην απορρίπτετε τη μονάδα με οικιακά απορρίμματα. Τηρείτε τους τοπικούς κανονισμούς.

(Εικ. 6) Το προϊόν συμμορφώνεται με τις ισχύουσες οδηγίες ΕΚ.

Περιεχόμενα Άλλα σύμβολα/σήματα που υπάρχουν στο προϊόν αναφέρονται σε απαιτήσεις πιστοποίησης για άλλους εμπορικούς τομείς.

Σκόνη κατηγορίας L

(Εικ. 7)

Τηρείτε τις οδηγίες ασφαλείας και τα σχετικά μέτρα για τη σκόνη κατηγορίας L.

Ευθύνη προϊόντος

Όπως αναφέρεται στη νομοθεσία περί ευθύνης για τα προϊόντα, δεν φέρουμε καμία ευθύνη για ζημιές που οφείλονται στο προϊόν μας εάν:

- Το προϊόν έχει επισκευαστεί λανθασμένα.

Σύμβολα στο προϊόν

- (Εικ. 3) Προτού χρησιμοποιήσετε το προϊόν, διαβάστε προσεκτικά το εγχειρίδιο χρήσης και βεβαιωθείτε ότι έχετε κατανοήσει τις οδηγίες.

- Το προϊόν έχει επισκευαστεί με εξαρτήματα που δεν προέρχονται από τον κατασκευαστή ή που δεν έχουν εγκριθεί από τον κατασκευαστή.
- Το προϊόν διαθέτει ένα αξεσουάρ που δεν προέρχεται από τον κατασκευαστή ή που δεν έχει εγκριθεί από τον κατασκευαστή.

- Το προϊόν δεν έχει επισκευαστεί σε εγκεκριμένο κέντρο σέρβις ή από εγκεκριμένη αρχή.

Ασφάλεια

Ορισμοί για την ασφάλεια

Για την επισήμανση ειδικών σημαντικών τμημάτων του εγχειριδίου χρησιμοποιούνται προειδοποιήσεις, συστάσεις προσοχής και σημειώσεις.



ΠΡΟΕΙΔΟΠΟΙΗΣΗ: Χρησιμοποιείται όταν υπάρχει κίνδυνος τραυματισμού ή θανάτου του χειριστή ή άλλων παριστάμενων ατόμων, αν δεν τηρηθούν οι οδηγίες που παρέχονται στο εγχειρίδιο.



ΠΡΟΣΟΧΗ: Χρησιμοποιείται όταν υπάρχει κίνδυνος πρόκλησης ζημιάς στο προϊόν, σε άλλα υλικά ή στον παρακείμενο χώρο, αν δεν τηρηθούν οι οδηγίες που παρέχονται στο εγχειρίδιο.

Περιεχόμενα Χρησιμοποιείται για παροχή περισσότερων πληροφοριών, οι οποίες χρειάζονται σε μια δεδομένη κατάσταση.

Γενικές οδηγίες ασφαλείας



ΠΡΟΕΙΔΟΠΟΙΗΣΗ: Προτού χρησιμοποιήσετε το προϊόν, διαβάστε τις παρακάτω προειδοποιητικές οδηγίες.

- Αν το προϊόν ή/και κάποιο εξάρτημα υποστεί ζημιά, πρέπει να επισκευαστεί από εξουσιοδοτημένο κέντρο σέρβις. Να μην χρησιμοποιείτε προϊόντα που παρουσιάζουν ζημιά.
- Μην επιτρέψετε σε παιδιά να χρησιμοποιήσουν το προϊόν. Μην επιτρέψετε σε άτομα που δεν έχουν διαβάσει τις οδηγίες να χρησιμοποιούν ή

να πραγματοποιούν εργασίες συντήρησης στο προϊόν.

- Το προϊόν πρέπει να λειτουργεί μόνο υπό επιτήρηση.
- Φροντίστε να παρακολουθείτε πάντα τα άτομα με μειωμένες σωματικές ή διανοητικές ικανότητες που χρησιμοποιούν το προϊόν.
- Τα παιδιά πρέπει να επιβλέπονται, ώστε να διασφαλιστεί ότι δεν παίζουν με το προϊόν.
- Μην χρησιμοποιείτε επικίνδυνες πρακτικές κατά την εργασία.
- Μην χρησιμοποιείτε το προϊόν εάν τα φίλτρα δεν έχουν τοποθετηθεί σωστά.
- Απενεργοποιήστε το προϊόν και αποσυνδέστε το καλώδιο ρεύματος από την πρίζα στις εξής περιπτώσεις:
 - Πριν από τον καθαρισμό και τη συντήρηση.
 - Πριν από την επισκευή.
 - Αν υπάρχουν αφρώδη ή υγρά υλικά στον χώρο.

- Μην απομακρύνεστε από το προϊόν όταν είναι συνδεδεμένο. Αποσυνδέστε το καλώδιο ρεύματος από την πρίζα όταν το προϊόν δεν βρίσκεται σε λειτουργία και πριν από τις εργασίες συντήρησης.
- Μην χρησιμοποιείτε το προϊόν αν το καλώδιο ή το φως έχει υποστεί ζημιά. Για να αποσυνδέσετε το καλώδιο, τραβήξτε το φως. Μην κρατάτε το φως ή το προϊόν με βρεγμένα χέρια. Επανατοποθετήστε όλα τα στοιχεία ελέγχου προτού αποσυνδέσετε το προϊόν.
- Μην τραβάτε το προϊόν από το καλώδιο. Μην χρησιμοποιείτε το καλώδιο ως λαβή. Μην κλείνετε το καλώδιο σε πόρτες και μην το τραβάτε γύρω από αιχμηρές άκρες ή γωνίες. Μην περνάτε το προϊόν πάνω από το καλώδιο. Φροντίστε το καλώδιο να βρίσκεται μακριά από ζεστές επιφάνειες.
- Φροντίστε τυχόν μαλλιά, ριχτά ρούχα, δάχτυλα και όλα τα μέρη του σώματος να βρίσκονται μακριά από ανοίγματα και κινούμενα εξαρτήματα. Μην τοποθετείτε αντικείμενα στα ανοίγματα και μην χρησιμοποιείτε το προϊόν με μπλοκαρισμένα ανοίγματα. Φροντίστε τα ανοίγματα να μην έχουν σκόνη, χνούδια, τρίχες και οτιδήποτε άλλο μπορεί να μειώσει την παροχή του αέρα.
- Μην σκουπίζετε τυχόν επικίνδυνη σκόνη με το WDC 220, WDC 225.
- Μην σκουπίζετε εύφλεκτα υλικά ή εύφλεκτα υγρά υλικά, όπως η βενζίνη. Μην χρησιμοποιείτε το προϊόν σε χώρους όπου μπορεί να υπάρχουν τέτοιου είδους προϊόντα.
- Μην σκουπίζετε υλικά που καίγονται ή βγάζουν καπνό, όπως τσιγάρα, σπύρτα ή ζεστές στάχτες.
- Να είστε προσεκτικοί όταν καθαρίζετε σκάλες.
- Αν εξέρχονται αφροί ή καπνοί από το προϊόν, απενεργοποιήστε το αμέσως.
- Μην χρησιμοποιείτε το προϊόν ως αντλία νερού.
- Συνδέστε το προϊόν σε μια σωστά γειωμένη πρίζα. Η πρίζα και το καλώδιο προέκτασης πρέπει να διαθέτουν λειτουργικό προστατευτικό αγωγό (ισχύει μόνο για τα προϊόντα χωρίς διπλή μόνωση).
- Βεβαιωθείτε ότι υπάρχει καλή ροή αέρα στον χώρο εργασίας.
- Μην χρησιμοποιείτε το προϊόν ως σκάλα ή αναβαθμίδα.

- Όταν χρησιμοποιείτε διατάξεις αφαίρεσης σκόνης, ο ρυθμός ανταλλαγής του αέρα στον χώρο πρέπει να είναι επαρκής εάν ο αέρας εξαγωγής της σκούπας εκφυσάται στον συγκεκριμένο χώρο. Τηρείτε τους εθνικούς κανονισμούς πριν από τη χρήση.
- Για τα προϊόντα σκόνης κατηγορίας L και ειδικά για το WDC 325L, ενημερώστε και εκπαιδεύστε τον χειριστή πριν από τη χρήση όσον αφορά τα εξής:
 - Τρόπος χρήσης του προϊόντος.
 - Κίνδυνοι σχετικά με τα υλικά που αναρροφά το προϊόν.
 - Ασφαλής απόρριψη των υλικών που αναρροφά το προϊόν.
- Για τα προϊόντα σκόνης κατηγορίας L και ειδικά για το WDC 325L, ισχύουν τα εξής:
 - Χρησιμοποιήστε το προϊόν για την αναρρόφηση ξηρής, μη εύφλεκτης σκόνης και υγρών υλικών, καθώς και επικίνδυνης σκόνης με τιμή OEL¹⁾ > 1mg/m³. Σκόνη κατηγορίας L (IEC 60335-2-69). Η σκόνη αυτής της κατηγορίας έχει τιμές OEL¹⁾ > 1mg/m³.

- Τα προϊόντα με σκόνης κατηγορίας L διαθέτουν δοκιμασμένο υλικό φίλτρου. Ο μέγιστος βαθμός διαπερατότητας είναι 1%. Δεν υπάρχουν ειδικές απαιτήσεις απόρριψης.

Περιεχόμενα Συμβουλευτείτε την τοπική νομοθεσία. Η ηλικία του χειριστή προβλέπεται από την τοπική νομοθεσία.

Ασφάλεια για τα προϊόντα με διπλή μόνωση



ΠΡΟΕΙΔΟΠΟΙΗΣΗ: Χρησιμοποιείτε το προϊόν μόνο όπως περιγράφεται στο παρόν εγχειρίδιο και μόνο με τα εξαρτήματα που συνιστά ο κατασκευαστής.



ΠΡΟΕΙΔΟΠΟΙΗΣΗ: Μόνο για το Ηνωμένο Βασίλειο: Διαβάστε αυτές τις οδηγίες, καθώς είναι σημαντικές. Αυτές οι οδηγίες έχουν συνταχθεί με κύριο γνώμονα την ασφάλεια και την απόδοση. Ο χειριστής πρέπει να είναι εκπαιδευμένος από κάποιον εγκεκριμένο εκπαιδευτή και να κατανοεί αυτές τις οδηγίες λειτουργίας. Ο χειριστής πρέπει να γνωρίζει όλους τους σχετικούς κανονισμούς και τη νομοθεσία που ισχύει κατά τον χρόνο της λειτουργίας.



ΠΡΟΕΙΔΟΠΟΙΗΣΗ: Προτού συνδέσετε το προϊόν: Βεβαιωθείτε ότι η τάση τροφοδοσίας και η συχνότητα τροφοδοσίας της παροχής ρεύματος αντιστοιχούν στα στοιχεία της πινακίδας στοιχείων της ηλεκτρικής σκούπας υγρής/ξηρής αναρρόφησης.



ΠΡΟΕΙΔΟΠΟΙΗΣΗ: Αυτό το προϊόν διαθέτει διπλή μόνωση. Χρησιμοποιείτε μόνο ανταλλακτικά της Husqvarna. Ανατρέξτε στις οδηγίες σχετικά με το πώς να πραγματοποιήσετε εργασίες σέρβις σε προϊόντα με διπλή μόνωση.



ΠΡΟΕΙΔΟΠΟΙΗΣΗ: Το προϊόν διαθέτει ειδικό καλώδιο. Αν το καλώδιο υποστεί ζημιά, πρέπει να αντικαθιστάται από καλώδιο ίδιου τύπου. Τέτοια καλώδια είναι διαθέσιμα σε εγκεκριμένα κέντρα



ΠΡΟΕΙΔΟΠΟΙΗΣΗ: Για το σέρβις ενός προϊόντος με διπλή μόνωση απαιτείται γνώση της λειτουργίας του συστήματος. Τα προϊόντα με διπλή μόνωση διαθέτουν δύο συστήματα μόνωσης αντί για γείωση. Τα προϊόντα με διπλή μόνωση δεν διαθέτουν μέσα γείωσης. Επίσης, δεν θα πρέπει να προστίθεται κανένα μέσο γείωσης σε αυτές τις συσκευές. Οι εργασίες σέρβις πρέπει να πραγματοποιούνται μόνο από εγκεκριμένο προσωπικό σέρβις. Τα ανταλλακτικά για τα προϊόντα με διπλή μόνωση πρέπει να είναι ακριβώς ίδια με τα εξαρτήματα προς αντικατάσταση. Ένα προϊόν με διπλή μόνωση φέρει τις ενδείξεις "ΔΙΠΛΗ ΜΟΝΩΣΗ" ή "ΜΕ ΔΙΠΛΗ ΜΟΝΩΣΗ." Μπορεί να υπάρχει και σχετικό σύμβολο επάνω στο προϊόν.

Ασφάλεια με το ηλεκτρικό ρεύμα

- Συνιστάται η ηλεκτρική σκούπα να συνδέεται μέσω ενός ασφαλειοδιακόπτη ρεύματος διαρροής.
- Τοποθετήστε τα ηλεκτρικά εξαρτήματα στις θέσεις τους (πρίζες, φις και συνδέσμους) και δρομολογήστε το καλώδιο επέκτασης, έτσι ώστε να διατηρηθεί ο βαθμός προστασίας.
- Οι σύνδεσμοι και οι συζεύξεις των ηλεκτρικών καλωδίων και των καλωδίων προέκτασης πρέπει να είναι υδατοστεγή.

Καλώδιο προέκτασης

- Χρησιμοποιείτε μόνο καλώδια προέκτασης που προδιαγράφονται από τον κατασκευαστή ή καλώδια υψηλότερης ποιότητας.
- Όταν χρησιμοποιείτε ένα καλώδιο προέκτασης, ελέγχετε τις ελάχιστες διατομές του καλώδιου:

Μήκος καλώδιου	Διατομή	
	< 16 A	< 25 A
< 20 m	1,5 mm ²	2,5 mm ²
20-50 m	2,5 mm ²	4,0 mm ²



ΠΡΟΕΙΔΟΠΟΙΗΣΗ: Στο επάνω μέρος της ηλεκτρικής σκούπας βρίσκονται εξαρτήματα υπό τάση. Η επαφή με εξαρτήματα υπό

τάση μπορεί να προκαλέσει σοβαρούς ή ακόμη και θανατηφόρους τραυματισμούς.

- Μην ψεκάζετε ποτέ νερό στο επάνω μέρος της ηλεκτρικής σκούπας.



ΠΡΟΕΙΔΟΠΟΙΗΣΗ: Κίνδυνος ηλεκτροπληξίας λόγω ελαττωματικού καλωδίου τροφοδοσίας. Η επαφή με ένα ελαττωματικό καλώδιο τροφοδοσίας μπορεί να προκαλέσει σοβαρούς ή ακόμη και θανατηφόρους τραυματισμούς.

- Μην προκαλείτε ζημιές στο καλώδιο τροφοδοσίας ρεύματος (για παράδειγμα, μην το πατάτε ή τραβάτε ή συνθλίβετε).
- Ελέγχετε τακτικά αν το καλώδιο ρεύματος έχει υποστεί ζημιά ή εμφανίζει σημάδια γήρανσης.
- Αν το ηλεκτρικό καλώδιο υποστεί ζημιά, πρέπει να αντικαθίσταται από έναν εξουσιοδοτημένο διανομέα της Husqvarna ή από ένα άτομο με παρόμοια ειδικευση, για την αποφυγή τυχόν κινδύνων.

- Το καλώδιο ρεύματος δεν πρέπει ποτέ να τυλίγεται γύρω από τα δάχτυλα ή γύρω από άλλα μέρη του σώματος του χειριστή.



ΠΡΟΣΟΧΗ: Η πρίζα της συσκευής (μόνο σε ορισμένα μοντέλα) έχει σχεδιαστεί μόνο για τους σκοπούς που ορίζονται στις οδηγίες λειτουργίας. Σε περίπτωση σύνδεσης άλλων συσκευών μπορεί να προκληθεί ζημιά.

- Προτού συνδέσετε μια συσκευή ή ένα προϊόν, θα πρέπει πρώτα να το απενεργοποιήσετε.
- Διαβάστε τις οδηγίες λειτουργίας της συσκευής που πρόκειται να συνδεθεί και τηρείτε τις συνοδευτικές οδηγίες ασφαλείας.



ΠΡΟΣΟΧΗ: Κίνδυνος ζημιάς λόγω ακατάλληλης τάσης ρεύματος. Η συσκευή μπορεί να υποστεί ζημιά εάν συνδεθεί σε πρίζα με ακατάλληλη τάση τροφοδοσίας.

- Βεβαιωθείτε ότι η τάση τροφοδοσίας και η

συχνότητα τροφοδοσίας της παροχής ρεύματος αντιστοιχούν στα στοιχεία της πινακίδας στοιχείων της ηλεκτρικής σκούπας υγρής/ξηρής αναρρόφησης.

Οδηγίες ασφαλείας για τη λειτουργία Αναρρόφηση υγρών υλικών



ΠΡΟΣΟΧΗ: Μην αναρροφάτε εύφλεκτα υγρά.

- Αφαιρέστε τον φιλτράσοκο προτού αρχίσετε την αναρρόφηση υγρών υλικών. Ελέγξτε ότι το φλοτέρ και η συσκευή περιορισμού στάθμης νερού λειτουργούν σωστά.
- Χρησιμοποιήστε ένα ειδικό στοιχείο φίλτρου ή σήτα φίλτρου.
- Αν βγαίνουν αφροί από το προϊόν, απενεργοποιήστε το αμέσως και αδειάστε το δοχείο.

Επικίνδυνα υλικά



ΠΡΟΕΙΔΟΠΟΙΗΣΗ: Μην αναρροφάτε επικίνδυνα υλικά. Μπορεί να προκληθούν τραυματισμοί.

- Μην αναρροφάτε τα παρακάτω υλικά:
 - επικίνδυνη σκόνη
 - ζεστά υλικά π.χ. αναμμένα τσιγάρα και ζεστή στάχτη.
 - εύφλεκτα, εκρήξιμα, διαβρωτικά υγρά π.χ. βενζίνη, διαλύτες, οξέα και αλκάλια.
 - εύφλεκτη, εκρήξιμη σκόνη π.χ. σκόνη μαγνησίου ή σκόνη αλουμινίου.

Ανταλλακτικά και εξαρτήματα



ΠΡΟΣΟΧΗ: Χρησιμοποιείτε μόνο ανταλλακτικά και εξαρτήματα της για την ασφαλή λειτουργία του προϊόντος.

- Χρησιμοποιείτε μόνο ανταλλακτικά και εξαρτήματα της Husqvarna.
- Χρησιμοποιείτε μόνο τις βούρτσες που παρέχονται με το προϊόν ή αναφέρονται στο εγχειρίδιο χρήσης.

Εκρήξιμη ή εύφλεκτη ατμόσφαιρα



ΠΡΟΣΟΧΗ: Μην χρησιμοποιείτε το προϊόν σε εκρήξιμη ή εύφλεκτη ατμόσφαιρα. Μην χρησιμοποιείτε το προϊόν

κοντά σε υγρά, αέρια ή καπνούς που μπορεί να προκαλέσουν εύφλεκτες ατμόσφαιρες.

Άδειασμα του δοχείου ακαθαρσιών

Λειτουργία φουσητήρα



ΠΡΟΕΙΔΟΠΟΙΗΣΗ: Η σκόνη μπορεί να προκαλέσει προβλήματα υγείας. Αυτό το προϊόν διαθέτει λειτουργία φουσητήρα. Μην φυσάτε τον εξερχόμενο αέρα σε κλειστούς χώρους, εάν δεν υπάρχει συγκεκριμένος λόγος. Χρησιμοποιείτε τη λειτουργία φουσητήρα μόνο με καθαρό σωλήνα.



ΠΡΟΣΟΧΗ: Τα υλικά που αναρροφούνται μπορεί να είναι επικίνδυνα για το περιβάλλον. Απορρίψτε τις ακαθαρσίες σύμφωνα με τους νομικούς κανονισμούς.

Οδηγίες ασφαλείας για τη συντήρηση



ΠΡΟΕΙΔΟΠΟΙΗΣΗ: Προτού εκτελέσετε εργασίες συντήρησης στο προϊόν, διαβάστε όλες τις ακόλουθες προειδοποιητικές οδηγίες.

Συναρμολόγηση



ΠΡΟΕΙΔΟΠΟΙΗΣΗ: Προτού συναρμολογήσετε το προϊόν, διαβάστε και κατανοήστε το κεφάλαιο για την ασφάλεια.

Προετοιμασία εγκατάστασης

1. Απασφαλίστε τις πόρτες και αφαιρέστε τη μονάδα του μοτέρ. (Εικ. 8)
2. Αφαιρέστε τα εξαρτήματα από το δοχείο ακαθαρσιών. (Εικ. 9)
3. Βεβαιωθείτε ότι δεν λείπει κανένα εξάρτημα. Ανατρέξτε στην επισκόπηση προϊόντος. Απαραίτητα εργαλεία: Κατσαβίδι.

Τοποθέτηση του φιλτράσκαου

1. Τοποθετήστε τον κεντρικό διακόπτη στη θέση "0".
2. Αποσυνδέστε το προϊόν. (Εικ. 10)
3. Απασφαλίστε τις πόρτες και αφαιρέστε τη μονάδα του μοτέρ. (Εικ. 8)
4. Τοποθετήστε τον φιλτράσκαο στο δοχείο ακαθαρσιών.
5. Στερεώστε το χάρτινο τμήμα του φιλτράσκαου στην είσοδο αναρρόφησης. Βεβαιωθείτε ότι η λαστιχένια μεμβράνη περνάει πέρα από το προεξέχον δαχτυλίδι της εισόδου αναρρόφησης. (Εικ. 11)
6. Τοποθετήστε τη μονάδα του μοτέρ στο δοχείο ακαθαρσιών και ασφαλίστε τις πόρτες. (Εικ. 12)

Τοποθέτηση των εξαρτημάτων

1. Τοποθετήστε τα εξαρτήματα στη θέση τους για εύκολη πρόσβαση. (Εικ. 13)
2. Τοποθετήστε την εργαλειοθήκη στο πίσω μέρος του προϊόντος. (Εικ. 14)
3. Τοποθετήστε το στήριγμα του καλωδίου και του σωλήνα στο πίσω μέρος του προϊόντος. (Εικ. 15)

Εγκατάσταση του σωλήνα

1. Τοποθετήστε τον σωλήνα στην είσοδο αναρρόφησης στο μπροστινό μέρος του προϊόντος. (Εικ. 16)
2. Συνδέστε τη συσκευή στην πρίζα.
3. Τοποθετήστε τον κεντρικό διακόπτη στη θέση "I". (Εικ. 17)
4. Ρυθμίστε την ισχύ αναρρόφησης στη λαβή ή στον κεντρικό διακόπτη*. *Μόνο σε ορισμένα μοντέλα. (Εικ. 18)

Εγκατάσταση του στηρίγματος σωλήνα

1. Μετακινήστε το στήριγμα του σωλήνα κάθετα πάνω στον σωλήνα προέκτασης.
2. Χρησιμοποιήστε ένα κατσαβίδι για να τοποθετήσετε το στήριγμα του σωλήνα στο σωστό ύψος επάνω στον σωλήνα προέκτασης. (Εικ. 19)
3. Στερεώστε τον σωλήνα προέκτασης στα στηρίγματα στο πίσω μέρος του προϊόντος. (Εικ. 20)

Λειτουργία

Εισαγωγή



ΠΡΟΕΙΔΟΠΟΙΗΣΗ: Προτού χρησιμοποιήσετε το προϊόν, πρέπει να διαβάσετε και να κατανοήσετε το κεφάλαιο για την ασφάλεια.

Εκκίνηση του προϊόντος

Προτού χρησιμοποιήσετε το προϊόν, βεβαιωθείτε ότι η συχνότητα και η τάση που αναγράφονται στην πινακίδα στοιχείων έχουν την ίδια τιμή με την τάση τροφοδοσίας.

1. Βεβαιωθείτε ότι ο κεντρικός διακόπτης βρίσκεται στη θέση "0". (Εικ. 10)
2. Βεβαιωθείτε ότι έχετε τοποθετήσει τα σωστά φίλτρα στο προϊόν.
3. Τοποθετήστε τον σωλήνα στην είσοδο αναρρόφησης στο μπροστινό μέρος του προϊόντος. Σπρώξτε τον σωλήνα προς τα εμπρός, μέχρι να εφαρμόσει καλά στην είσοδο αναρρόφησης. (Εικ. 16)
4. Συνδέστε τους δύο σωλήνες προέκτασης με τη λαβή. Στρέψτε τους σωλήνες προέκτασης για να βεβαιωθείτε ότι έχουν τοποθετηθεί σωστά.
5. Τοποθετήστε ένα ακροφύσιο στον σωλήνα προέκτασης. Επιλέξτε το ακροφύσιο ανάλογα με το είδος των υλικών που πρόκειται να αναρροφήσετε.
6. Συνδέστε το φως στην πρίζα.
7. Για να εκκινήσετε το προϊόν, τοποθετήστε τον κεντρικό διακόπτη στη θέση "I". (Εικ. 17)

Απενεργοποίηση προϊόντος

1. Για να απενεργοποιήσετε το προϊόν, τοποθετήστε τον κεντρικό διακόπτη στη θέση "0".
2. Αποσυνδέστε το φως από την πρίζα. (Εικ. 10)

Χρήση της λειτουργίας εκφύσησης

1. Τοποθετήστε τον σωλήνα στο άνοιγμα στο πίσω μέρος του προϊόντος. (Εικ. 21)
2. Συνδέστε το φως στην πρίζα.
3. Τοποθετήστε τον κεντρικό διακόπτη στη θέση "II". (Εικ. 17)
4. Ρυθμίστε την ισχύ εκφύσησης από τη χειρολαβή ή από τον κεντρικό διακόπτη*. *Μόνο σε ορισμένα μοντέλα. (Εικ. 22)

Χρήση της πρίζας ηλεκτρικών εργαλείων*

*Μόνο σε ορισμένα μοντέλα.



ΠΡΟΣΟΧΗ: Ακολουθήστε τις οδηγίες λειτουργίας και τις οδηγίες ασφαλείας για συσκευές που είναι συνδεδεμένες σε πρίζα ηλεκτρικών εργαλείων.

Περιεχόμενα Η μέγιστη κατανάλωση ρεύματος του συνδεδεμένου εργαλείου αναφέρεται στην ενότητα *Τεχνικά στοιχεία στη σελίδα 88.*

1. Βεβαιωθείτε ότι ο διακόπτης στο ηλεκτρικό εργαλείο βρίσκεται στη θέση "0". (Εικ. 23)
2. Αποσυνδέστε τη λαβή από τον σωλήνα. Πιέστε τα γραμμοσκιασμένα σημεία στο άκρο του σωλήνα (A) και τραβήξτε προς τα έξω τη λαβή (B). (Εικ. 24)
3. Συνδέστε τον προσαρμογέα ηλεκτρικών εργαλείων. (Εικ. 25)
4. Ρυθμίστε την ισχύ αναρρόφησης στον προσαρμογέα ηλεκτρικών εργαλείων ή στον κεντρικό διακόπτη*. *Μόνο σε ορισμένα μοντέλα. (Εικ. 26)
5. Συνδέστε τον σωλήνα στην είσοδο αναρρόφησης του προϊόντος και στο ηλεκτρικό εργαλείο. Συνδέστε το καλώδιο του ηλεκτρικού εργαλείου στην ηλεκτρική σύνδεση του προϊόντος. (Εικ. 27)
6. Βεβαιωθείτε ότι ο διακόπτης στο ηλεκτρικό εργαλείο βρίσκεται στη θέση "0". (Εικ. 23)
7. Γυρίστε τον κεντρικό διακόπτη του προϊόντος στη θέση ηλεκτρικού εργαλείου (A).
8. Τοποθετήστε τον διακόπτη του ηλεκτρικού εργαλείου στη θέση "I" (B). (Εικ. 28)

Περιεχόμενα Μπορείτε να ενεργοποιήσετε και να απενεργοποιήσετε το προϊόν από τον κεντρικό διακόπτη στο προϊόν (A) ή στο ηλεκτρικό εργαλείο (B).

Αναρρόφηση υγρών υλικών

Περιεχόμενα Το προϊόν διαθέτει σύστημα φλοτέρ που διακόπτει την παροχή αέρα του προϊόντος μόλις τα υγρά υλικά φτάσουν στη μέγιστη στάθμη.



ΠΡΟΣΟΧΗ: Μην καθαρίζετε υγρά υλικά εάν δεν έχετε τοποθετήσει το φλοτέρ.

1. Βεβαιωθείτε ότι έχετε τοποθετήσει το φίλτρο και τον εντατήρα του φίλτρου (σύστημα φλοτέρ), βλ. ενότητα *Αντικατάσταση του φίλτρου στη σελίδα 86.* Αφαιρέστε τον φιλτράσακο, εάν υπάρχει.
2. Χρησιμοποιήστε το ακροφύσιο δαπέδου για να καθαρίσετε τυχόν υγρά υλικά.

- Όταν το υγρό φθάσει στη μέγιστη στάθμη, θα ακούσετε έναν αισθητά διαφορετικό ήχο από το μοτέρ. Η ισχύς αναρρόφησης μειώνεται.
- Απενεργοποιήστε το προϊόν, βλ. ενότητα *Απενεργοποίηση προϊόντος στη σελίδα 84*.

- Αδειάστε το δοχείο ακαθαρσιών, βλ. ενότητα *Αδειασμα του δοχείου ακαθαρσιών μετά την αναρρόφηση υγρών υλικών στη σελίδα 85*.

Συντήρηση

Εισαγωγή



ΠΡΟΕΙΔΟΠΟΙΗΣΗ: Προτού εκτελέσετε εργασίες συντήρησης, πρέπει να διαβάσετε και να κατανοήσετε το κεφάλαιο για την ασφάλεια.

Για όλες τις εργασίες συντήρησης και επισκευής στο προϊόν, είναι απαραίτητη ειδική εκπαίδευση. Μπορούμε να εγγυηθούμε για τη διαθεσιμότητα των επαγγελματικών επισκευών και τη συντήρηση. Αν ο αντιπρόσωπός σας δεν είναι αντιπρόσωπος σέρβις, μιλήστε του για πληροφορίες σχετικά με τον πλησιέστερο αντιπρόσωπο σέρβις.

Τακτική συντήρηση και επιθεώρηση

- Η τακτική συντήρηση και επιθεώρηση του προϊόντος πρέπει να πραγματοποιούνται από εξειδικευμένο προσωπικό σύμφωνα με τη σχετική νομοθεσία και τους κανονισμούς.
- Πρέπει να πραγματοποιούνται τακτικά ηλεκτρικές δοκιμές για τη συνέχεια των αγωγών γείωσης, την αντίσταση της μόνωσης και την κατάσταση του ευκαμπτου καλωδίου.
- Αν εντοπιστεί κάποιο ελάττωμα, **πρέπει** να διακοπούν οι εργασίες σέρβις του προϊόντος και να επισκευαστεί το προϊόν από έναν εγκεκριμένο τεχνικό σέρβις.

Συντήρηση των προϊόντων σκόνης κατηγορίας L

Για τα προϊόντα σκόνης κατηγορίας L και ειδικά για το WDC 325L ισχύουν τα εξής:

- Κατά τη συντήρηση και τον καθαρισμό, το προϊόν πρέπει να χρησιμοποιείται με ασφάλεια τόσο από το προσωπικό συντήρησης όσο και από άλλα άτομα.
- Στον χώρο συντήρησης:
 - Χρησιμοποιήστε φίλτρα για την προδιαγραφόμενη παροχή αέρα.
 - Χρησιμοποιήστε ρουχισμό προστασίας.
 - Καθαρίστε τον χώρο συντήρησης, ώστε να μην διαφύγουν σε άλλους χώρους επιβλαβή υλικά.
- Αν τα εξαρτήματα δεν μπορούν να καθαριστούν επαρκώς κατά τη συντήρηση και την επισκευή:
 - Τοποθετήστε τα εξαρτήματα σε καλά σφραγισμένες σακούλες.
 - Απορρίψτε τις ακαθαρσίες σύμφωνα με τους νομικούς κανονισμούς.

Αδειασμα του δοχείου ακαθαρσιών μετά την αναρρόφηση υγρών υλικών

- Απενεργοποιήστε το προϊόν, βλ. ενότητα *Απενεργοποίηση προϊόντος στη σελίδα 84*.
- Αποσυνδέστε τον σωλήνα από την είσοδο αναρρόφησης, τραβώντας τον προς τα έξω.
- Απασφαλίστε τις πόρτες και αφαιρέστε τη μονάδα του μοτέρ. (Εικ. 8)
- Αδειάστε το δοχείο ακαθαρσιών γέροντάς το προς τα πίσω και ρίξτε τα υγρά σε μια αποχέτευση δαπέδου. * Μόνο ορισμένα μοντέλα διαθέτουν λαβή. (Εικ. 29)



ΠΡΟΣΟΧΗ: Να αδειάζετε και να καθαρίζετε πάντα το δοχείο ακαθαρσιών και το σύστημα του φλοτέρ μετά την αναρρόφηση υγρών υλικών. Μην αναρροφάτε υγρά υλικά αν δεν έχετε τοποθετήσει το σύστημα φλοτέρ και το φίλτρο στο προϊόν.

- Τοποθετήστε τη μονάδα του μοτέρ στο δοχείο ακαθαρσιών και ασφαλίστε τις πόρτες. (Εικ. 12)

Αδειασμα του δοχείου ακαθαρσιών μετά την αναρρόφηση στερών υλικών

- Απενεργοποιήστε το προϊόν, βλ. ενότητα *Απενεργοποίηση προϊόντος στη σελίδα 84*.
- Απασφαλίστε τις πόρτες και αφαιρέστε τη μονάδα του μοτέρ. (Εικ. 8)
- Ελέγξτε αν ο φιλτρόςακος είναι γεμάτος.
- Αφαιρέστε τον φιλτρόςακο, αν έχει γεμίσει.



ΠΡΟΣΟΧΗ: Μην αναρροφάτε στερεά υλικά αν δεν έχετε τοποθετήσει το φίλτρο και τον φιλτρόςακο.

- Τοποθετήστε έναν καινούργιο φιλτρόςακο, βλ. ενότητα *Τοποθέτηση του φιλτρόςακου στη σελίδα 83*.

Περιεχόμενα Η απόδοση αναρρόφησης του προϊόντος εξαρτάται από τις διαστάσεις και την ποιότητα του φίλτρου και του φιλτρόςακου. Χρησιμοποιείτε μόνο φίλτρα και φιλτρόςακούς της Husqvarna.

- Τοποθετήστε τη μονάδα του μοτέρ στο δοχείο ακαθαρσιών και ασφαλίστε τις πόρτες. (Εικ. 12)

Καθαρισμός του φίλτρου και του συστήματος καθαρισμού του φίλτρου

Το προϊόν είναι εξοπλισμένο με ημιαυτόματο σύστημα καθαρισμού φίλτρου. Χρησιμοποιείτε τακτικά το σύστημα καθαρισμού φίλτρου, το αργότερο όταν η απόδοση καθαρισμού δεν είναι πλέον επαρκής. Η τακτική χρήση του συστήματος καθαρισμού φίλτρου αυξάνει τη διάρκεια ζωής του φίλτρου.

1. Καθαρίστε το φίλτρο όταν η ισχύς αναρρόφησης δεν είναι πλέον επαρκής. (Εικ. 30)
2. Τοποθετήστε τον σωλήνα στην είσοδο αναρρόφησης στο μπροστινό μέρος του προϊόντος. (Εικ. 16)
3. Συνδέστε τη συσκευή στην πρίζα.
4. Τοποθετήστε τον κεντρικό διακόπτη στη θέση "I". (Εικ. 17)
5. Τοποθετήστε το στόμιο της λαβής στην παλάμη σας (A) για να δοκιμάσετε την ισχύ αναρρόφησης.
6. Δημιουργήστε με το χέρι σας μια γροθιά (B) και χτυπήστε το κουμπί καθαρισμού φίλτρου 3 φορές. (Εικ. 31)
7. Αν η ισχύς αναρρόφησης δεν είναι επαρκής, αφαιρέστε το φίλτρο, βλ. ενότητα *Αντικατάσταση του φίλτρου στη σελίδα 86*.
8. Τινάζτε, βουρτσίστε ή ξεπλύνετε το φίλτρο για να το καθαρίσετε.
9. Αφήστε το φίλτρο να στεγνώσει.
10. Τοποθετήστε το φίλτρο, βλ. ενότητα *Τοποθέτηση του φίλτρου στη σελίδα 83*.

Εξωτερικός καθαρισμός του προϊόντος

1. Απενεργοποιήστε το προϊόν, βλ. ενότητα *Απενεργοποίηση προϊόντος στη σελίδα 84*.
2. Καθαρίστε το προϊόν με ένα στεγνό πανί και λίγο γυαλιστικό σπρέι.

Αντικατάσταση του φίλτρου

Το προϊόν έχει σχεδιαστεί για συνεχείς βαριές εργασίες. Το φίλτρο σκόνης θα πρέπει να αντικαθίσταται ανάλογα με τις ώρες λειτουργίας.

1. Απενεργοποιήστε το προϊόν, βλ. ενότητα *Απενεργοποίηση προϊόντος στη σελίδα 84*.
2. Απασφαλίστε τις πόρτες και αφαιρέστε τη μονάδα του μοτέρ. (Εικ. 8)
3. Περιστρέψτε τον εντατήρα του φίλτρου (A) προς τα αριστερά και αφαιρέστε τον. Αφαιρέστε το φίλτρο (B). (Εικ. 32)
4. Τοποθετήστε το καινούργιο φίλτρο (A). Τοποθετήστε τον εντατήρα του φίλτρου (B) και περιστρέψτε τον προς τα δεξιά. (Εικ. 33)
5. Βεβαιωθείτε ότι το φίλτρο και ο εντατήρας του φίλτρου έχουν τοποθετηθεί. (Εικ. 34)
6. Τοποθετήστε τη μονάδα του μοτέρ στο δοχείο ακαθαρσιών και ασφαλίστε τις πόρτες. (Εικ. 12)

Αντικατάσταση του φίλτρου σάκου

1. Απενεργοποιήστε το προϊόν, βλ. ενότητα *Απενεργοποίηση προϊόντος στη σελίδα 84*.
2. Απασφαλίστε τις πόρτες και αφαιρέστε τη μονάδα του μοτέρ. (Εικ. 8)
3. Ελέγξτε αν ο φίλτροσάκος είναι γεμάτος. Αφαιρέστε τον φίλτροσάκο, αν έχει γεμίσει.
4. Αφαιρέστε το χάρτινο τμήμα του παλιού φίλτροσάκου από την είσοδο αναρρόφησης.
5. Ανασηκώστε τον φίλτροσάκο (A) και απορρίψτε τον.
6. Τοποθετήστε τον καινούργιο φίλτροσάκο στο δοχείο ακαθαρσιών (B).
7. Τοποθετήστε το χάρτινο τμήμα του φίλτροσάκου στην είσοδο αναρρόφησης (C). Βεβαιωθείτε ότι η λαστιχένια μεμβράνη περνάει μέσα από το ύψωμα της εισόδου αναρρόφησης. (Εικ. 35)
8. Τοποθετήστε τη μονάδα του μοτέρ στο δοχείο ακαθαρσιών και ασφαλίστε τις πόρτες. (Εικ. 12)

Μεταφορά, αποθήκευση και απόρριψη

Μεταφορά και αποθήκευση

- Μετά τη χρήση:
 - Όταν το προϊόν δεν βρίσκεται σε λειτουργία, αποσυνδέστε το φως από την πρίζα.
 - Τυλίξτε το καλώδιο ξεκινώντας από το προϊόν.
 - Χρησιμοποιήστε το στήριγμα για να στερεώσετε το καλώδιο στη μονάδα μοτέρ.
 - Τυλίξτε τον σωλήνα.
 - Χρησιμοποιήστε το στήριγμα για να στερεώσετε τον σωλήνα στη μονάδα μοτέρ.

- Μεταφορά:
 - Ασφαλίστε όλες τις πόρτες στη μονάδα του μοτέρ.
 - Μην γέρνετε το προϊόν αν υπάρχουν υγρά υλικά στο δοχείο ακαθαρσιών.
 - Μην χρησιμοποιείτε γάντζους ανύψωσης για να σηκώσετε το προϊόν.
- Αποθήκευση:
 - Να διατηρείτε το προϊόν σε μια περιοχή στεγνή και χωρίς πάγο.

Ανακύκλωση του προϊόντος

Για να αχρηστεύσετε το προϊόν, ακολουθήστε τα παρακάτω βήματα.

1. Αποσυνδέστε το φιν από την πρίζα.
2. Κόψτε το καλώδιο ρεύματος.
3. Μην απορρίψετε το προϊόν με τα συνήθη οικιακά απορρίμματα.

Απόρριψη (σύμφωνα με 2012/19/ΕΚ):

Το προϊόν δεν πρέπει να απορρίπτεται στα συνήθη οικιακά απόβλητα. Πρέπει να απορρίπτεται σύμφωνα με τους τοπικούς περιβαλλοντικούς κανονισμούς.

Βεβαιωθείτε ότι η απόρριψη του προϊόντος γίνεται μέσω του δημοτικού κέντρου συλλογής ανακύκλωσης.

(Εικ. 5)

Τεχνικά στοιχεία

Τεχνικά στοιχεία

	EU/CH		GB		AU/NZ		US
	WDC 220	WDC 325L	WDC 220	WDC 325L	WDC 220	WDC 325L	WDC 225
Τάση, V	220-240	220-240	220-240	220-240	220-240	220-240	110-120
Ισχύς P _{ισc} , W	1000	1200	1000	1000	1000	1000	1000
Συνδεδεμένο φορτίο πρίζας συσκευής, W	-	2400 /1100	-	1900	-	1300	-
Συχνότητα, Hz	50/60				50-60		50/60
Ασφάλεια, A	10	16/10	13	13	10	10	15
Κατηγορία προστασίας (υγρασία, σκόνη)	IPX4						
Βαθμός προστασίας (ηλεκτρική)	II (Εικ. 4)	I	II (Εικ. 4)	I	II (Εικ. 4)	I	II (Εικ. 4)
Ογκομετρική παροχή αέρα, l/min	3600	3700	3600	3600	3600	3600	3200
Ογκομετρική παροχή αέρα, cfm	127	130	127	127	127	127	113
Κενό, mbar	210	235	210	210	210	210	210
Στάθμη ηχητικής πίεσης στο 1 m, EN 60704-1, dB(A) +/- 2	72						
Δόνηση ISO 5349, m/s ² +/- 1	<1,5						
Βάρος, kg	7,5	8,5	7,5	8,5	7,5	8,5	7,5
Πλάτος, mm	377	376	377	376	377	376	377
Βάθος, mm	385	392	385	392	385	392	392
Ύψος, mm	506	533	506	530	506	530	550

Δήλωση Συμμόρφωσης ΕΚ

Δήλωση Συμμόρφωσης ΕΚ

Η **Husqvarna AB**, SE-561 82 Huskvarna, Σουηδία,
τηλ.: +46-36-146500, δηλώνει ότι η **ηλεκτρική σκούπα**
Husqvarna WDC 220, 3325L συμμορφώνεται με τις
απαιτήσεις της ΟΔΗΓΙΑΣ ΤΟΥ ΣΥΜΒΟΥΛΙΟΥ:

- με ημερομηνία 17 Μαΐου 2006 "σχετικά με τα μηχανήματα" **2006/42/ΕΚ**
- της 26ης Φεβρουαρίου 2014 "σχετικά με την ηλεκτρομαγνητική συμβατότητα" **2014/30/ΕΕ**

Εφαρμόστηκαν τα ακόλουθα πρότυπα:

EN 60335-1:2012+A11:2014, EN 60335-2-69:2012, EN 55014-1:2006+A1:2009+A2:2011, EN 55014-2:2015, EN 61000-3-2:2014, EN 61000-3-3:2013

Αν δεν ορίζεται διαφορετικά, τα παραπάνω πρότυπα αντιστοιχούν στις πιο πρόσφατες δημοσιευμένες εκδόσεις.

Huskvarna, 2018-08-01



Cornelia Ekblad, Διευθύντρια Διαχείρισης Προϊόντων

Contenido

Introducción.....	90	Mantenimiento.....	97
Seguridad.....	91	Transporte, almacenamiento y eliminación.....	99
Montaje.....	96	Datos técnicos.....	100
Funcionamiento.....	96	Declaración de conformidad CE.....	101

Introducción

Descripción del producto

El producto es un aspirador multiusos diseñado para uso profesional.

Uso previsto

Utilice el producto para aspirar líquidos y polvo seco no inflamables.

Lea y obedezca las instrucciones de seguridad y uso.

Lleve a cabo solamente tareas de reparación y mantenimiento en el producto especificadas por el fabricante.

El fabricante no asume responsabilidad alguna por daños causados por un uso, una reparación o un mantenimiento incorrectos.

Descripción del producto WDC 220, WDC 225

(Fig. 1)

1. Interruptor principal
2. Sistema de limpieza del filtro
3. Toma de aspiración
4. Ruedas
5. Soporte del cable, soporte de la manguera
6. Bolsa filtrante

7. Boquilla
8. Asa
9. Boquilla para suelos
10. Boquilla estrecha
11. Manual de usuario
12. Tubo de prolongación
13. Manguera

Descripción del producto WDC 325L

(Fig. 2)

1. Interruptor principal
2. Sistema de limpieza del filtro
3. Toma de aspiración
4. Ruedas
5. Soporte del cable, soporte de la manguera
6. Bolsa filtrante
7. Boquilla
8. Asa
9. Boquilla para suelos
10. Boquilla estrecha
11. Manual de usuario
12. Tubo de prolongación
13. Manguera
14. Adaptador de herramienta eléctrica
15. Conexión eléctrica para herramienta eléctrica
16. Caja de herramientas

(Fig. 5) No deseche la unidad junto a los residuos domésticos. Cumpla con los requisitos locales.

(Fig. 6) El producto cumple con las directivas CE vigentes.

Nota: Los demás símbolos/etiquetas que aparecen en el producto corresponden a requisitos de homologación específicos en otras zonas comerciales.

Polvo clase L

(Fig. 7)

Tenga en cuenta las consignas de seguridad y las medidas asociadas al polvo de la clase L.

Responsabilidad sobre el producto

Como se estipula en las leyes de responsabilidad del producto, no nos hacemos responsables de los daños y perjuicios causados por nuestro producto si:

- El producto se ha reparado incorrectamente.
- El producto se ha reparado con piezas que no eran del fabricante o no autorizadas por el fabricante.
- El producto tiene un accesorio que no es del fabricante o no está autorizado por este.

Símbolos que aparecen en el producto

(Fig. 3) Lea detenidamente el manual de usuario y asegúrese de que entiende las instrucciones antes de usar la máquina.

(Fig. 4) La unidad cuenta con doble aislamiento.

- El producto no se ha reparado en un centro de servicio autorizado o por un organismo homologado.

Seguridad

Definiciones de seguridad

Las advertencias, precauciones y notas se utilizan para destacar información especialmente importante del manual.



ADVERTENCIA: Indica un riesgo de lesiones o incluso de muerte del usuario o de las personas cercanas si no se respetan las instrucciones del manual.



PRECAUCIÓN: Indica un riesgo de daños en el producto, otros materiales o el área adyacente si no se respetan las instrucciones del manual.

Nota: Se usa para proporcionar más información necesaria en una situación determinada.

Instrucciones generales de seguridad



ADVERTENCIA: Lea las siguientes instrucciones de advertencia antes de utilizar el producto.

- Si el producto o un accesorio presentan daños, deben repararse en un centro de servicio autorizado. No utilice un producto dañado.
- No deje que un niño maneje el producto. No permita que nadie maneje el producto ni lleve a cabo labores de mantenimiento en él sin conocer las instrucciones.
- El producto debe utilizarse siempre bajo supervisión.
- Si una persona con discapacidad física o mental usa el producto, asegúrese de supervisarla en todo momento.
- Debe vigilarse a los niños para asegurarse de que no juegan con el producto.
- No efectúe procedimientos de trabajo peligrosos.
- No utilice el producto si los filtros no están bien colocados.
- Detenga el producto y desconecte el enchufe en las siguientes situaciones:
 - Antes de efectuar labores de limpieza y mantenimiento.
 - Antes de realizar labores de reparación.
 - Si hay espuma o líquidos en la zona.
- No deje desatendido el producto mientras se encuentre conectado. Desconecte el enchufe cuando no se esté utilizando el producto o antes de llevar a cabo trabajos de mantenimiento.
- No utilice el producto si el cable o el enchufe están dañados. Al desconectar el producto, hágalo sujetando

el enchufe, no el cable.

No sujete el enchufe o el producto con las manos mojadas. Restablezca todos los controles antes de desconectar el producto.

- No tire del cable para mover el producto. No utilice el cable como asa. Evite pillar el cable al cerrar una puerta y evite el contacto del cable con esquinas y bordes afilados. No pise el cable con el producto. Mantenga el cable alejado de superficies calientes.
- Mantenga el pelo, la ropa suelta, los dedos y todas las partes del cuerpo lejos de las aberturas y las piezas en movimiento. No coloque objetos en las aberturas ni utilice el producto con las aberturas obstruidas. No debe haber polvo, pelusas, pelo ni otros objetos que puedan afectar el flujo de aire.
- No aspire polvo peligroso con el WDC 220, WDC 225.
- No aspire productos ni líquidos inflamables como, por ejemplo, la gasolina. No utilice el producto en lugares con presencia de dichos productos.
- No aspire nada que esté quemándose o expulsando

humo, como cigarrillos, cerillas o cenizas calientes.

- Tenga cuidado cuando aspire en una escalera.
- Si sale espuma o líquido del producto, párelo de inmediato.
- No utilice el producto como si fuera una bomba de agua.
- Conecte el producto a un enchufe con toma de tierra. El enchufe y el cable alargador deben contar con un conductor de protección en buen estado (aplicable solo en el caso de los productos que no cuenten con doble aislamiento).
- Asegúrese de que la ventilación sea adecuada en la zona de trabajo.
- No utilice el producto como escalera.
- Si el aire que sale de la aspiradora se expulsa en la sala y se utilizan sistemas de eliminación del polvo, la velocidad a la que se intercambia el aire de la sala debe de ser adecuada. Cumpla la normativa nacional vigente al usar el producto.
- En el caso de los productos para polvo de la clase L (WDC 325L), informe e instruya al usuario antes de usar el

producto sobre los aspectos siguientes:

- Cómo utilizar el producto.
- Los riesgos del material que se va a aspirar.
- La eliminación segura del material aspirado.
- En el caso de los productos para polvo de la clase L (WDC 325L), tenga en cuenta lo siguiente:
 - Utilice el producto para aspirar líquidos y polvo seco no inflamables, así como polvos peligrosos con un límite de exposición profesional¹⁾ superior a 1 mg/m^3 . Polvo de la clase L (IEC 60335-2-69). El polvo de esta clase tiene un límite de exposición profesional¹⁾ superior a 1 mg/m^3 .
 - Los productos para polvo de la clase L cuentan con un filtro de un material probado. El nivel máximo de permeabilidad es de un 1 %. No existen requisitos especiales sobre su eliminación.

Nota: Consulte las leyes locales. Podrían establecer límites en cuanto a la edad del usuario.

Seguridad en productos con doble aislamiento



ADVERTENCIA: Utilice el producto solo como se indica en este manual y

con los accesorios recomendados por el fabricante.



ADVERTENCIA: Solo en Reino Unido: Lea estas instrucciones importantes. Estas instrucciones se han elaborado otorgando la máxima prioridad a la seguridad y la eficacia. El usuario debe recibir formación por parte de un instructor autorizado y debe conocer estas instrucciones de funcionamiento. El usuario debe estar al corriente de todas las normativas y leyes vigentes al usar el producto.



ADVERTENCIA: Antes de conectar el producto: Asegúrese de que la tensión y la frecuencia de la red de alimentación coinciden con los datos de la placa de características de la aspiradora.



ADVERTENCIA: Este producto cuenta con doble aislamiento. Utilice solo repuestos Husqvarna. Consulte las instrucciones para obtener información sobre cómo llevar a cabo el mantenimiento en productos con doble aislamiento.



ADVERTENCIA: El producto consta de un cable especial. Si se daña el cable, de cambiarse por otro del mismo tipo. Podrá adquirirlo en distribuidores y centros de servicio autorizados, y debe encomendar su instalación a alguien debidamente cualificado.



ADVERTENCIA: Para llevar a cabo el mantenimiento de un producto con doble aislamiento es necesario conocer el sistema. Los productos con doble aislamiento cuentan con dos sistemas de aislamiento en lugar de una conexión a tierra. Los productos con doble aislamiento no disponen de conexión a tierra, y tampoco debe añadirse dicha conexión al aparato. El mantenimiento debe encomendarse únicamente a personal de servicio autorizado. Los repuestos de un producto con doble aislamiento deben ser idénticos a los componentes que van a sustituir. Los productos con doble aislamiento se marcan con el rótulo "DOUBLE INSULATION" o "DOUBLE INSULATED". Asimismo, puede figurar un símbolo en el producto.

Seguridad eléctrica

- Al conectar el producto, se recomienda el uso de un interruptor diferencial.
- Coloque los componentes eléctricos (tomas, enchufes y acoplamientos) y extienda el cable alargador de tal forma que pueda mantenerse el nivel de protección.
- Los conectores y los acoplamientos de los cables de alimentación y los cables alargadores deben ser herméticos.

Cable alargador

- A la hora de elegir un cable alargador, utilice únicamente una versión especificada por el fabricante o de una calidad superior.
- Si utiliza un cable alargador, compruebe la sección transversal mínima del cable:

Longitud del cable	Sección transversal	
	< 16 A	< 25 A
<20 m	1,5 mm ²	2,5 mm ²
20-50 m	2,5 mm ²	4,0 mm ²



ADVERTENCIA: En la parte superior del aspirador hay componentes por los que circula corriente. El contacto con componentes por los que circula corriente puede provocar lesiones graves o incluso mortales.

- No rocíe con agua la parte superior del aspirador.



ADVERTENCIA: Pueden producirse descargas eléctricas si el cable de conexión a la red eléctrica está defectuoso. El contacto con un cable de conexión a la red

eléctrica puede provocar lesiones graves o incluso mortales.

- No dañe el cable (por ejemplo, conduciendo por encima de él, tirando de él o aplastándolo).
- Compruebe periódicamente si el cable de alimentación está dañado o muestra signos de deterioro.
- Si el cable está dañado, debe acudir a un distribuidor Husqvarna autorizado o a otra persona con la debida cualificación para cambiarlo a fin de evitar cualquier peligro.
- El cable no debe enrollarse alrededor de los dedos o de ninguna parte del cuerpo del usuario.



PRECAUCIÓN: La toma del aparato (solo en algunos modelos) se ha diseñado exclusivamente para los fines indicados en las instrucciones de funcionamiento. La conexión de diferentes aparatos puede causar daños.

- Antes de enchufar un aparato, apague siempre el producto

y el aparato que desee conectar.

- Lea las instrucciones de funcionamiento del aparato que desee conectar y tenga presentes las notas sobre seguridad que figuren en dichas instrucciones.



PRECAUCIÓN: Pueden producirse daños si la tensión es inadecuada. El aparato puede resultar dañado si se conecta a una fuente de alimentación con una tensión inadecuada.

- Asegúrese de que la tensión y la frecuencia de la red de alimentación coinciden con los datos de la placa de características de la aspiradora.

Instrucciones de seguridad para el funcionamiento

Aspiración de líquidos



PRECAUCIÓN: No aspire líquidos inflamables.

- Antes de aspirar líquidos, quite la bolsa filtrante. Compruebe si el flotador o el límite de nivel de agua funcionan correctamente.
- Utilice un filtro o un elemento filtrante especiales.
- Si sale espuma del producto, deténgalo de inmediato y vacíe el depósito.

Materiales peligrosos



ADVERTENCIA: No aspire materiales peligrosos. Esto puede causar lesiones.

- No aspire los siguientes materiales:
 - Polvo peligroso.
 - Materiales calientes, por ejemplo, cigarrillos encendidos o cenizas calientes.
 - Líquidos agresivos, explosivos o inflamables, como gasolina, disolventes, ácidos y álcalis.
 - Polvo inflamable o explosivo, como polvo de magnesio o de aluminio.

Repuestos y accesorios



PRECAUCIÓN: Utilice únicamente repuestos y accesorios para garantizar la seguridad del producto.

- Utilice únicamente repuestos y accesorios Husqvarna.
- Utilice solo los cepillos que se entregan junto al producto o que se mencionan en el manual de usuario.

Atmósfera explosiva o inflamable



PRECAUCIÓN: No utilice el producto en atmósferas explosivas o inflamables. No utilice el producto cerca de líquidos, gases o vapores que puedan generar una atmósfera inflamable.

Función de soplador



ADVERTENCIA: El polvo puede causar problemas de salud. El producto cuenta con una función de soplador. En un recinto cerrado, utilice la función de soplador de manera controlada. La función de soplador debe usarse solo con una manguera limpia.

Instrucciones de seguridad para el mantenimiento



ADVERTENCIA: Lea todas las instrucciones de advertencia siguientes antes de realizar el mantenimiento del producto.

Vaciado del depósito de suciedad



PRECAUCIÓN: El material aspirado puede ser peligroso para el medio ambiente.

Deseche la suciedad con arreglo a la normativa.

Montaje



ADVERTENCIA: Asegúrese de leer y comprender el capítulo sobre seguridad antes de montar el producto.

Antes de la instalación

1. Desbloquee los cierres y extraiga la unidad del motor. (Fig. 8)
2. Retire los accesorios del depósito de suciedad. (Fig. 9)
3. Compruebe que no falte ningún componente. Consulte la descripción del producto. Herramientas necesarias: Destornillador.

Instalación de la bolsa filtrante

1. Coloque el interruptor principal en la posición "0".
2. Desconecte el producto. (Fig. 10)
3. Desbloquee los cierres y extraiga la unidad del motor. (Fig. 8)
4. Coloque la bolsa filtrante en el depósito de suciedad.
5. Fije la parte de cartón de la bolsa filtrante a la toma de aspiración. Asegúrese de que la membrana de goma rebasa el resalte de la toma de aspiración. (Fig. 11)
6. Coloque la unidad del motor en el depósito de suciedad y bloquee los cierres. (Fig. 12)

Montaje de los accesorios

1. Vuelva a colocar los accesorios en su posición para facilitar el acceso. (Fig. 13)
2. Fije la caja de herramientas a la parte posterior del producto. (Fig. 14)
3. Fije el soporte del cable y la manguera a la parte posterior del producto. (Fig. 15)

Instalación de la manguera

1. Coloque la manguera en la toma de aspiración, en la parte delantera del producto. (Fig. 16)
2. Conecte el aparato a la red eléctrica.
3. Coloque el interruptor principal en la posición "I". (Fig. 17)
4. Ajuste la potencia de aspiración en el mango o con el interruptor principal*. *Solo en algunos modelos. (Fig. 18)

Instalación del soporte del tubo

1. Mueva el soporte del tubo verticalmente por el tubo de extensión.
2. Utilice un destornillador para instalar el soporte del tubo a la altura adecuada del tubo de extensión. (Fig. 19)
3. Acople el tubo de extensión en los soportes de la parte trasera del producto. (Fig. 20)

Funcionamiento

Introducción



ADVERTENCIA: Antes de utilizar el producto, debe leer y entender el capítulo sobre seguridad.

Arranque del producto.

Antes de usar el producto, asegúrese de que la frecuencia y la tensión de la placa de características se correspondan con los valores de la red eléctrica.

1. Asegúrese de que el interruptor principal esté en la posición "0". (Fig. 10)
2. Asegúrese de utilizar unos filtros correctos y que estos se encuentren en la posición adecuada en el producto.
3. Coloque la manguera en la toma de aspiración, en la parte delantera del producto. Presione la manguera hasta que se inserte firmemente en la toma de aspiración. (Fig. 16)

4. Conecte los dos tubos de extensión al mango. Gire los tubos de extensión para asegurarse de que están en la posición correcta.
5. Fije una boquilla al tubo de extensión. Seleccione la boquilla en función del tipo de material que va a aspirar.
6. Conecte el enchufe a la red eléctrica.
7. Para arrancar el producto, ponga el interruptor principal en la posición "I". (Fig. 17)

Para detener el producto

1. Para apagar el producto, ponga el interruptor principal en la posición "0".
2. Desconecte el enchufe de la red eléctrica. (Fig. 10)

Uso de la función de soplador

1. Coloque la manguera en la abertura de la parte trasera del producto. (Fig. 21)
2. Conecte el enchufe a la red eléctrica.

3. Coloque el interruptor principal en la posición "I". (Fig. 17)
4. Ajuste la potencia de soplado en el mango o con el interruptor principal. *Solo en algunos modelos. (Fig. 22)

Uso de la toma para herramienta eléctrica*

*Solo en algunos modelos.



PRECAUCIÓN: Siga las instrucciones de funcionamiento y de seguridad de los aparatos conectados a la toma para herramienta eléctrica.

Nota: El consumo máximo de energía de la herramienta conectada se indica en la sección *Datos técnicos en la página 100*.

1. Asegúrese de que el interruptor de la herramienta eléctrica se encuentre en la posición "0". (Fig. 23)
2. Desconecte el mango de la manguera. Presione las lengüetas del extremo de la manguera (A) y extraiga el mango (B). (Fig. 24)
3. Conecte el adaptador de herramienta eléctrica. (Fig. 25)
4. Ajuste la potencia de aspiración en el adaptador de herramienta eléctrica o con el interruptor principal*. *Solo en algunos modelos. (Fig. 26)
5. Conecte la manguera a la toma de aspiración del producto y a la herramienta eléctrica. Conecte el cable de la herramienta eléctrica a la conexión eléctrica del producto. (Fig. 27)
6. Asegúrese de que el interruptor de la herramienta eléctrica se encuentre en la posición "0". (Fig. 23)

7. Sitúe el interruptor principal del producto en la posición de herramienta eléctrica (A).
8. Sitúe el interruptor de la herramienta eléctrica en la posición "I" (B). (Fig. 28)

Nota: Podrá poner en marcha y apagar el producto con el interruptor principal del producto (A) o de la herramienta eléctrica (B).

Aspiración de líquido

Nota: El producto cuenta con un flotador que corta el flujo de aire en cuando se alcanza el nivel máximo de líquido.



PRECAUCIÓN: No aspire líquido si el flotador no se encuentra instalado en su posición.

1. Asegúrese de que el filtro y el tensor del filtro (flotador) se encuentren en su posición; consulte *Cambio del filtro en la página 98*. Retire la bolsa filtrante si está instalada.
2. Utilice la boquilla para suelos para aspirar líquido.
3. Cuando se alcance el nivel máximo de líquido, el motor sonará de una forma bastante diferente. La potencia de aspiración disminuirá.
4. Detenga el producto; consulte *Para detener el producto en la página 96*.
5. Vacíe el depósito de suciedad; consulte *Vaciado del depósito de suciedad después de aspirar líquido en la página 98*.

Mantenimiento

Introducción



ADVERTENCIA: Antes de realizar cualquier trabajo de mantenimiento, debe leer y entender el capítulo sobre seguridad.

Para todos los trabajos de mantenimiento y reparación del producto, es necesario realizar una formación especial. Nosotros garantizamos que los trabajos de mantenimiento y reparación sean realizados por profesionales. Si su distribuidor no es un taller de servicio, pídale información sobre el taller de servicio más cercano.

Mantenimiento e inspección periódicos

- El mantenimiento y la inspección periódicos solo los podrá llevar a cabo alguien debidamente cualificado que cumpla la normativa aplicable.
- Deben llevarse a cabo con frecuencia comprobaciones eléctricas para verificar parámetros como la continuidad de tierra, la resistencia de aislamiento y el estado del cable flexible.
- Si detecta algún defecto, el producto **debe** ponerse fuera de servicio y un técnico de mantenimiento autorizado deberá repararlo.

Mantenimiento de productos para polvo de clase L

En los productos para polvo de clase L (WDC 325L) debe tenerse en cuenta lo siguiente.

- Durante el mantenimiento y la limpieza, utilice el producto de forma segura para proteger al personal de mantenimiento o a otras personas.
- En el espacio donde se desarrollan las labores de mantenimiento:
 - Utilice un sistema de aire con filtro.
 - Utilice ropa de protección.
 - Limpie la zona de mantenimiento para que el material nocivo no se propague a otras zonas.
- Si las piezas no se pueden limpiar bien durante las labores de mantenimiento y reparación:
 - Guarde las piezas en bolsas herméticas.
 - Deseche las piezas con arreglo a la normativa.

Vaciado del depósito de suciedad después de aspirar líquido

1. Detenga el producto; consulte *Para detener el producto en la página 96*.
2. Tire de la manguera para desconectarla de la toma de aspiración.
3. Desbloquee los cierres y extraiga la unidad del motor. (Fig. 8)
4. Para vaciar el depósito de suciedad, inclínelo hacia atrás y vierta el líquido a un desagüe. * Algunos modelos cuentan con un asa. (Fig. 29)



PRECAUCIÓN: Después de aspirar líquido, vacíe y limpie siempre el depósito de suciedad y el flotador. No aspire líquido si el producto no tiene instalados el flotador y el filtro.

5. Coloque la unidad del motor en el depósito de suciedad y bloquee los cierres. (Fig. 12)

Vaciado del depósito de suciedad después de aspirar material seco

1. Detenga el producto; consulte *Para detener el producto en la página 96*.
2. Desbloquee los cierres y extraiga la unidad del motor. (Fig. 8)
3. Compruebe si la bolsa filtrante está llena.
4. Retire la bolsa filtrante si está llena.



PRECAUCIÓN: No aspire material seco si el filtro y la bolsa filtrante no se encuentran en su posición.

5. Instale una bolsa filtrante nueva; consulte *Instalación de la bolsa filtrante en la página 96*.

Nota: La eficacia de aspiración del producto depende de la dimensión y la calidad del filtro y

la bolsa filtrante. Utilice solamente filtros y bolsas filtrantes Husqvarna.

6. Coloque la unidad del motor en el depósito de suciedad y bloquee los cierres. (Fig. 12)

Limpieza del filtro y el sistema de limpieza del filtro

El producto cuenta con un sistema de limpieza del filtro semiautomático. Utilice con frecuencia el sistema de limpieza del filtro o, al menos, hágalo cuando el rendimiento de aspiración disminuya. Si se usa el sistema de limpieza del filtro de forma periódica, es posible prolongar la vida útil del filtro.

1. Limpie el filtro si la capacidad de aspiración disminuye. (Fig. 30)
2. Coloque la manguera en la toma de aspiración, en la parte delantera del producto. (Fig. 16)
3. Conecte el aparato a la red eléctrica.
4. Coloque el interruptor principal en la posición "I". (Fig. 17)
5. Coloque la mano en el mango (A) y aspire sobre la mano.
6. Apriete con el puño (B) 3 veces el botón de limpieza del filtro. (Fig. 31)
7. Si la potencia de aspiración sigue siendo insuficiente, retire el filtro; consulte *Cambio del filtro en la página 98*.
8. Sacuda, cepille o lave el filtro para limpiarlo.
9. Deje que el filtro se seque.
10. Instale el filtro; consulte *Instalación de la bolsa filtrante en la página 96*.

Para limpiar el producto externamente

1. Detenga el producto; consulte *Para detener el producto en la página 96*.
2. Limpie el producto con un paño seco y una pequeña cantidad de abrillantador en aerosol.

Cambio del filtro

El producto está diseñado para trabajar de forma intensa y constante. El filtro de polvo deberá cambiarse según el número de horas que se haya utilizado el producto.

1. Detenga el producto; consulte *Para detener el producto en la página 96*.
2. Desbloquee los cierres y extraiga la unidad del motor. (Fig. 8)
3. Gire el tensor del filtro (A) hacia la izquierda para extraerlo. Saque el filtro (B). (Fig. 32)
4. Instale un filtro (A) nuevo. Instale el tensor del filtro (B) y gírelo hacia la derecha. (Fig. 33)
5. Asegúrese de que el filtro y el tensor del filtro están en su posición. (Fig. 34)

6. Coloque la unidad del motor en el depósito de suciedad y bloquee los cierres. (Fig. 12)

Cambio de la bolsa filtrante

1. Detenga el producto; consulte *Para detener el producto en la página 96*.
2. Desbloquee los cierres y extraiga la unidad del motor. (Fig. 8)
3. Compruebe si la bolsa filtrante está llena. Retire la bolsa filtrante si está llena.
4. Tire de la parte de cartón de la bolsa filtrante usada para sacarla de la toma de aspiración.

5. Saque la bolsa filtrante (A) y deséchela.

6. Coloque la nueva bolsa filtrante en el depósito de suciedad (B).

7. Fije la parte de cartón de la bolsa filtrante a la toma de aspiración (C). Asegúrese de que la membrana de goma rebasa el resalte de la toma de aspiración. (Fig. 35)

8. Coloque la unidad del motor en el depósito de suciedad y bloquee los cierres. (Fig. 12)

Transporte, almacenamiento y eliminación

Transporte y almacenamiento

- Después de cada uso:
 - Desconecte el enchufe de la red eléctrica si el producto no se va a utilizar.
 - Enrolle el cable; empiece por el extremo más próximo al producto.
 - Utilice el soporte del cable para fijar el cable a la unidad del motor.
 - Enrolle la manguera.
 - Utilice el soporte de la manguera para fijar la manguera a la unidad del motor.
- Transporte:
 - Bloquee todos los cierres de la unidad del motor.
 - No incline el producto si hay líquido en el depósito de suciedad.
 - No levante el producto con un gancho.
- Almacenamiento:
 - Mantenga el producto en un lugar seco y al abrigo de las heladas.

Reciclaje del producto

Siga estos pasos para poner el producto fuera de servicio.

1. Desconecte el enchufe de la red eléctrica.
2. Corte el cable de alimentación.
3. No deseche el producto junto a los residuos domésticos.

Desecho (de acuerdo con 2012/19/EC):

El producto no se puede desechar junto con la basura doméstica. Se debe desechar conforme a la normativa medioambiental local.

Asegúrese de que el producto se desecha a través de su centro de reciclaje municipal.

(Fig. 5)

Datos técnicos

Datos técnicos

	EU/CH		GB		AU/NZ		EE. UU.
	WDC 220	WDC 325L	WDC 220	WDC 325L	WDC 220	WDC 325L	WDC 225
Tensión, V	220-240	220-240	220-240	220-240	220-240	220-240	110-120
Potencia P_{iec} , W	1000	1200	1000	1000	1000	1000	1000
Carga conectada para la toma del aparato, W	-	2400 /1100	-	1900	-	1300	-
Frecuencia, Hz	50 /60				50-60		50 /60
Fusible, A	10	16 /10	13	13	10	10	15
Categoría de protección (humedad, polvo)	IPX4						
Clase de protección (eléctrica)	II (Fig. 4)	I	II (Fig. 4)	I	II (Fig. 4)	I	II (Fig. 4)
Caudal de aire, l/min	3600	3700	3600	3600	3600	3600	3200
Caudal de aire, l/min	127	130	127	127	127	127	113
Vacío, mbar	210	235	210	210	210	210	210
Nivel de presión sonora a 1 m, EN 60704-1, dB(A) +/-2	72						
Vibración, ISO 5349, m/s^2 +/-1	<1,5						
Peso, kg	7,5	8,5	7,5	8,5	7,5	8,5	7,5
Anchura, mm	377	376	377	376	377	376	377
Profundidad, mm	385	392	385	392	385	392	392
Altura, mm	506	533	506	530	506	530	550

Declaración de conformidad CE

Declaración de conformidad CE

Husqvarna AB, SE-561 82 Huskvarna (Suecia), tel.: +46-36-146500, declara que el **aspirador Husqvarna WDC 220, 3325L** cumple con las siguientes disposiciones de la DIRECTIVA DEL CONSEJO:

- de 17 de mayo de 2006 "relativa a máquinas", **2006/42/CE**.
- de 26 de febrero de 2014 "relativa a compatibilidad electromagnética", **2014/30/UE**.

Se han aplicado las normas siguientes:

EN 60335-1:2012+A11:2014, EN 60335-2-69:2012, EN 55014-1:2006+A1:2009+A2:2011, EN 55014-2:2015, EN 61000-3-2:2014, EN 61000-3-3:2013

Si no se indica lo contrario, las normas anteriormente indicadas constituyen las últimas versiones publicadas.

Huskvarna, 2018-08-01



Cornelia Ekbladh, directora de gestión de productos

Sisukord

Sissejuhatus.....	102	Hooldamine.....	109
Ohutus.....	103	Transportimine, hoieulepanek ja utiliseerimine.....	110
Kokkupanek.....	107	Tehnilised andmed.....	111
Töö.....	108	EÜ vastavusdeklaratsioon.....	112

Sissejuhatus

Toote kirjeldus

Toode on mitmeotstarbeline tolmuimeja kommertskasutuseks.

Kasutusotstarve

Kasutage seadet kuiva, mittedüüva tolmu või vedeliku koristamiseks.

Seadme tutvustus WDC 220, WDC 225

(Joon. 1)

1. Pealüliti
2. Filtri puhastussüsteem
3. Sissetõmbeava
4. Rattad
5. Kaablihoidik, voolikuhoidik
6. Filterkott

Lugege läbi ohutus- ja kasutusjuhised ja järgige neid.

Tehke ainult tootja määratud hooldus- ja remonditöid.

Tootja ei vastuta ebaõige kasutamise, hooldamise või remontimise tagajärjel tekkinud kahjustuste eest.

7. Otsak
8. Käepide
9. Põrandaotsak
10. Praootsak
11. Kasutusjuhend
12. Pikendustoru
13. Voolik

Seadme tutvustus WDC 325L

(Joon. 2)

1. Pealüliti
2. Filtri puhastussüsteem
3. Sissetõmbeava
4. Rattad
5. Kaablihoidik, voolikuhoidik
6. Filterkott
7. Otsak
8. Käepide
9. Põrandaotsak
10. Praootsak
11. Kasutusjuhend
12. Pikendustoru
13. Voolik
14. Elektritööriista adapter
15. Elektritööriista elektriühendus
16. Tööriistakarp

(Joon. 4) Seadmel on topeltisolatsioon.

(Joon. 5) Seadet ei tohi kasutusel kõrvaldada koos olmeprügiga. Järgige kohalikke nõudeid.

(Joon. 6) See seade vastab kehtivatele EÜ direktiividele.

Märkus: Seadmel toodud ülejäänud sümbolid/ tähised vastavad muude kommertsvaldkondade sertifitseerimisnõuetele.

Tolmuklass L

(Joon. 7)

Järgige tolmu klassi L ohutusjuhiseid ja vastavaid meetmeid.

Tootevastutus

Tootevastutusseaduste alusel ei vastuta me tootest tingitud kahjustuste eest, kui:

- toodet on valesti parandatud;
- toote parandamisel on kasutatud osi, mis ei ole tootja poolt valmistatud või heaks kiidetud;

Sümbolid tootel

(Joon. 3) Enne seadme kasutamist lugege kasutusjuhend hoolikalt läbi ja veenduge, et kõik juhised oleksid täiesti arusaadavad.

- tootel on kasutatud tarvikut, mis ei ole tootja poolt valmistatud või heaks kiidetud;

- toodet ei ole parandatud volitatud hoolduskeskuses või volitatud isiku poolt.

Ohutus

Ohutuse määratlused

Mõistetega „hoiatus“, „ettevaatus“ ja „märkus“ juhitakse tähelepanu eriti olulistele kohtadele kasutusjuhendis.



HOIATUS: Tähistab kasutusjuhendi juhiste eiramise korral kasutaja või kõrvalseisjate kehavigastuse või surmaga lõppeva õnnetuse ohtu.



ETTEVAATUST: Tähistab kasutusjuhendi juhiste eiramise korral seadme, muude esemete või läheduses asuvate objektide kahjustamise ohtu.

Märkus: Tähistab antud olukorras vajalikku lisateavet.

Üldised ohutuseeskirjad



HOIATUS: Enne seadme kasutamist lugege läbi järgnevad hoiatused.

- Kui seade ja/või tarvik on kahjustatud, tuleb see lasta remontida volitatud hoolduskeskuses. Ärge kasutage kahjustatud seadet.
- Ärge lubage lastel seadet käsitseda. Ärge lubage kasutusjuhistega mitte tutvunud isikul seadet käsitseda või seda hooldada.
- Seadet tohib kasutada ainult järelevalve all.
- Kui seadet kasutab piiratud füüsiliste või vaimsete võimetega isik, peab ta olema kogu aeg järelevalve all.
- Lapsi tuleb jälgida, et nad seadmega ei mängiks.
- Ärge kasutage ohtlikke töövõtteid.
- Ärge kasutage seadet ilma õigesti paigaldatud filtriteta.
- Seisake seade ja ühendage toitejuhe lahti järgmistes olukordades.
 - Enne puhastamist ja hooldamist.
 - Enne remontimist.
 - Kui tööalas on vahtu või vedelikku.
- Ärge lahkuge vooluvõrku ühendatud seadme juurest. Kui seadet ei kasutata või enne selle hooldamist tuleb toitepistik lahti ühendada.
- Ärge kasutage seadet, kui toitejuhe või pistik on kahjustatud. Lahtiühendamiseks hoidke pistikust, mitte juhtmest. Ärge hoidke pistikut ega seadet märgade kätega. Enne lahtiühendamist lähtestage kõik juhtseadised.
- Ärge tõmmake seadet juhtmest. Ärge kasutage juhett kaepidemena. Ärge jätke juhett ukse vahele ega tõmmake

- seda üle teravate servade või nurkade. Ärge sõitke seadmega üle juhtme. Hoidke juhe kuumadest pindadest eemal.
- Hoidke juuksed, avarad riided, sõrmed ja kõik muud kehaosad avadest ja liikuvatest osadest eemal. Ärge pistke esemeid avadesse ega kasutage seadet, kui mõni ava on blokeeritud. Hoidke avad puhtad tolmust, ebemetest, karvadest ja muudest esemetest, mis võivad õhuvoolu takistada.
 - WDC 220, WDC 225 kasutamine ohtliku tolmu koristamiseks on keelatud.
 - Ärge kasutage tolmuimejat kergsüttivate või tuleohtlike vedelike, nt bensiini koristamiseks. Ärge kasutage seadet aladel, kus võib leiduda selliseid aineid.
 - Ärge kasutage tolmuimejat põlevate või suitsevate esemete, näiteks sigarettide, tuletikkude või kuuma tuha koristamiseks.
 - Olge ettevaatlik treppide puhastamisel.
 - Kui seadmest hakkab tulema välja vahtu või vedelikku, peatage seade kohe.
 - Ärge kasutage seadet veepumbana.
 - Ühendage seade nõuetekohaselt maandatud võrgupistikupesaga. Pistikupesal ja pikendusjuhtmel peab olema toimiv kaitsemaandusjuht (kehtib ainult ilma topeltisolatsioonita seadete puhul).
 - Tagage tööalal hea ventilatsioon.
 - Ärge kasutage seadet redeli või pukina.
 - Kui kasutatakse tolmueemaldajaid ja tolmuimejast väljuv õhk puhutakse ruumi sisse, siis tuleb tagada ruumi õhuvahetuse piisav kiirus. Kasutamisel järgige riiklikke eeskirju.
 - Tolmuklassi L kuuluvate seadete (WDC 325L) puhul juhendage ja koolitage kasutajat enne kasutamist järgmise osas.
 - Seadme kasutamine.
 - Imetava materjaliga seotud ohud.
 - Imetava materjali ohutu käitlemise nõuded.
 - Tolmuklassi L kuuluvate seadete (WDC 325L) puhul kehtivad järgmised nõuded.

- Kasutage seadet kuiva, mittesüttiva tolmu või vedeliku või ohtliku tolmu (OEL¹) väärtus > 1mg/m³) koristamiseks. Tolmuklass L (IEC 60335-2-69). Selle klassi tolmu OEL¹ väärtused on > 1mg/m³.
- Tolmuklassi L seadetele on testitud filtrimaterjal. Maksimaalne tolmu läbilaskvus on 1%. Erinõudeid käitlemiseks pole.

Märkus: Vt kohalikke õigusakte. Kohalikud õigusaktid võivad piirata kasutaja vanust.

Topeltisolatsiooniga seadete ohutus



HOIATUS: Kasutage seadet ainult käesoleva juhendi kohaselt ja ainult koos tootja soovitatud tarvikutega.



HOIATUS: Kehtib ainult Ühendkuningriigi puhul: lugege läbi need olulised juhised. Need juhised on koostatud ohutusest ja tõhususest lähtudes. Kasutajat peab olema koolitanud volitatud juhendaja ja ta peab need kasutusjuhised läbi lugema. Kasutaja peab teadma kõiki seadme kasutamist puudutavaid kehtivaid eeskirju ja õigusakte.



HOIATUS: Enne seadme ühendamist tehke järgmist. Veenduge, et toiteallika võrgupinge ja võrgusagedus vastaksid märg-/kuivtolmuimeja mudede etiketil märgitud andmetele.



HOIATUS: Seadmel on topeltisolatsioon. Kasutage ainult Husqvarna varuosasid. Lugege juhistest teavet topeltisolatsiooniga seadete hooldamise kohta.



HOIATUS: Seadmel on spetsiaalne juhe. Kui juhe saab kahju, tuleb see asendada sama tüüpi juhtmega. Juhe on saadaval volitatud hoolduskeskustes ja edasimüüjatel ning selle peab paigaldama volitatud isik.



HOIATUS: Topeltisolatsiooniga seadme hooldamiseks peab süsteemi tundma. Topeltisolatsiooniga seadmes on maanduse asemel kaks isolatsioonisüsteemi. Topeltisolatsiooniga seadmel puudub maandus ning seadmele ei tohi paigaldada maandust. Hooldustööd tohivad teha ainult volitatud hooldustehnikud. Topeltisolatsiooniga seadete varuosad peavad olema asendatavate osadega identsed. Topeltisolatsiooniga seade on märgitud sõnadega „DOUBLE INSULATION” (Topeltisolatsioon) või „DOUBLE INSULATED” (Topeltisolatsiooniga). Tootel võidakse kasutada ka sümbolit.

Elektriõhutus

- Tolmuimeja ühendamiseks on soovitatav kasutada jääkvoolu kaitseülilit.
- Paigaldage elektrisüsteemi osad (pistikupesad, pistikud ja liitmikud) ning paigutage pikendusjuhe nii, et kaitseklass säiliks.
- Toitejuhtmete ja pikendusjuhtmete liitmikud ja ühendused peavad olema veekindlad.

Pikendusjuhe

- Kasutage pikendusjuhtmena ainult tootja määratud versiooni või parema kvaliteediga juhet.
- Pikendusjuhet kasutades kontrollige kaabli minimaalset ristõiget.

Juhtme pikkus	Ristõige	
	< 16 A	< 25 A
< 20 m	1,5 mm ²	2,5 mm ²
20–50 m	2,5 mm ²	4,0 mm ²



HOIATUS: Tolmuimeja ülemises osas on pingestatud komponendid. Kontakt pingestatud komponentidega võib

põhjustada tõsiseid või surmavaid vigastusi.

ühendamine võib tekitada kahjustusi.

- Ärge kunagi pritsige vett tolmuimeja ülaosa peale.



HOIATUS: Elektrilöögi oht defektse toitejuhtme tõttu. Defektse toitejuhtme katsumine võib põhjustada tõsiseid või surmavaid vigastusi.

- Enne seadme ühendamist seisake alati seade ja ühendatav elektriseade.
- Lugege läbi ühendatava elektriseadme kasutusjuhend ja järgige selles olevaid ohutusjuhiseid.



ETTEVAATUST:

Kahjustused ebasobiva võrgupinge tõttu. Ühendamine ebasobiva võrgupingega toitevõrku võib seadet kahjustada.

- Ärge kahjustage toitejuhet (näiteks selle üle sõites, seda tõmmates või muljudes).
- Kontrollige regulaarselt, et toitejuhe poleks kahjustatud ega vananenud.
- Kui toitejuhe on saanud kahju, tuleb ohu ennetamiseks lasta see asendada volitatud Husqvarna edasimüüjal või sarnasel pädeval isikul.
- Mitte mingil juhul ei tohi kasutaja kerida toitejuhet ümber sõrmede või mõne muu kehaosa.

- Veenduge, et toiteallika võrgupinge ja võrgusagedus vastaksid märg-/kuivtolmuimeja mudeei etiketil märgitud andmetele.

Ohutusjuhised kasutamisel

Vedelike koristamine



ETTEVAATUST: Ärge koristage kergsüttavaid vedelikke.

- Enne vedelike koristamise alustamist eemaldage filterkott. Kontrollige, et ujuk ja veetaseme piiraja töötaks nõuetekohaselt.
- Kasutage spetsiaalset filtrielementi või filterresti.
- Kui seadmest hakkab tulema vahtu, peatage otsekohe töö ja tühjendage paak.

Ohtlikud materjalid



HOIATUS: Ärge koristage ohtlikke materjale. See võib põhjustada kehavigastusi.



ETTEVAATUST: Seadmel olev pistikupesa (ainult teatud mudelitel) on ette nähtud ainult kasutusjuhendis määratletud otstarbeks. Muude seadmete

- Ärge koristage järgmisi materjale:
 - ohtlik tolm
 - kuumad materjalid, nt põlevad sigaretid ja kuum tuhk
 - kergsüttivad, plahvatusohtlikud, agressiivsed vedelikud, nt bensiin, lahustid, happed ja leelised
 - kergsüttiv, plahvatusohtlik tolm, nt magneesiumi- või alumiiniumitolm

Varuosad ja lisavarustus



ETTEVAATUST: Seadme ohutuse tagamiseks kasutage ainult varuosasid ja lisavarustust.

- Kasutage ainult Husqvarna varuosasid ja lisavarustust.
- Kasutage ainult seadme komplekti kuuluvaid või kasutusjuhendis määratletud harjasid.

Plahvatusohtlik või kergsüttiv keskkond



ETTEVAATUST: Ärge kasutage seadet plahvatusohtlikus või kergsüttivas

keskkonnas. Ärge kasutage seadet vedelike, gaaside või aurude läheduses, mis võivad moodustada kergsüttiva keskkonna.

Puhurifunktsioon



HOIATUS: Tolm võib olla tervisele ohtlik. Seadmel on puhurifunktsioon. Ärge puhuge väljuvat õhku kinnistes ruumides suvaliselt. Kasutage puhurifunktsiooni ainult puhta voolikuga.

Ohutusjuhised hooldamisel



HOIATUS: Enne seadme hooldustööde tegemist lugege läbi järgnevad hoiatused.

Prügimahuti tühjendamine



ETTEVAATUST: Koristatud materjal võib olla keskkonnale kahjulik. Käideldge praht nõuetekohaselt.

Kokkupanek



HOIATUS: Enne seadme kokkupanekut lugege ohutuspeatükki ja tehke selles olev teave endale arusaadavaks.

2. Kinnitage tööriistakast seadme tagaküljele. (Joon. 14)
3. Kinnitage kaabli- ja voolikuhoidik seadme tagaküljele. (Joon. 15)

Paigalduseelsed toimingud

1. Avage klambrid ja tõstke mootor maha. (Joon. 8)
2. Võtke tarvikud prügimahutist välja. (Joon. 9)
3. Kontrollige, et kõik osad oleks olemas. Vt seadme tutvustust. Vajalikud tööriistad: kruvikeeraja.

Filterkoti paigaldamine

1. Seadke pealüliti asendisse „0“.
2. Ühendage seade lahti. (Joon. 10)
3. Avage klambrid ja tõstke mootor maha. (Joon. 8)
4. Pange filterkott prügimahutisse.
5. Kinnitage filterkoti papist osa sissetõmbeava peale. Veenduge, et kummist membraan libiseks üle sissetõmbetoru randi. (Joon. 11)
6. Paigaldage mootor prügimahutile ja kinnitage klambrid. (Joon. 12)

Lisatarvikute paigaldamine

1. Pange lisatarvikud hõlpsaks ligipääsuks oma kohale. (Joon. 13)

Vooliku paigaldamine

1. Ühendage voolik seadme esiküljel olevasse sissetõmbeavasse. (Joon. 16)
2. Ühendage seade vooluvõrku.
3. Seadke pealüliti asendisse „I“. (Joon. 17)
4. Reguleerige imemisvõimsust käepidemelt või pealülitiga*. *Ainult teatud mudelitel. (Joon. 18)

Toruhoidiku paigaldamine

1. Liigutage toruhoidikut vertikaalselt pikendustorul.
2. Kinnitage toruhoidik kruvikeeraja abil pikendustorul soovitud kõrgusele. (Joon. 19)
3. Kinnitage pikendustoru seadme tagaküljel olevatesse hoidikutesse. (Joon. 20)

Sissejuhatus



HOIATUS: Enne seadme kasutamist lugege põhjalikult läbi ohutust puudutav jaotis.

Seadme käivitamine

Enne seadme kasutamist veenduge, et andmesildil olev sagedus ja pinge vastaks vooluvõrgu andmetele.

1. Veenduge, et pealüliti oleks asendis „0”. (Joon. 10)
2. Veenduge, et seadmele on paigaldatud õiged filtrid.
3. Ühendage voolik seadme esiküljel olevasse sissetõmbeavasse. Suruge voolikut edasi, kuni see on kindlalt sissetõmbeavasse ühendatud. (Joon. 16)
4. Ühendage mõlemad pikendustorud käepidemega. Keerake pikendustorusid, et need jääks korralikult kinni.
5. Ühendage otsak pikendustoru otsa. Valige otsak vastavalt koristatava materjali tüübile.
6. Ühendage pistik vooluvõrku.
7. Seadme käivitamiseks seadke pealüliti asendisse „I”. (Joon. 17)

Seadme seiskamine

1. Seadme seiskamiseks seadke pealüliti asendisse „0”.
2. Ühendage pistik toitevõrgust lahti. (Joon. 10)

Puhurifunktsiooni kasutamine

1. Ühendage voolik seadme tagaküljel olevasse avasse. (Joon. 21)
2. Ühendage pistik vooluvõrku.
3. Seadke pealüliti asendisse „I”. (Joon. 17)
4. Reguleerige puhumisvõimsust käepidemelt või pealülitiga*. *Ainult teatud mudelitel. (Joon. 22)

Elektritööriista pistikupesa kasutamine*

*Ainult teatud mudelitel.



ETTEVAATUST: Kärgige elektritööriista pistikupessa ühendatud seadmete kasutus- ja ohutusjuhiseid.

Märkus: Vt ühendatud elektritööriista maksimaalset võimsustarvet jaotisest *Tehnilised andmed lk 111*.

1. Veenduge, et elektritööriista lüliti oleks asendis „0”. (Joon. 23)
2. Ühendage käepide vooliku küljest lahti. Vajutage vooliku otsas olevad kinnitused (A) sisse ja tõmmake käepide välja (B). (Joon. 24)
3. Ühendage elektritööriista adapter. (Joon. 25)
4. Reguleerige imemisvõimsust elektritööriista adapterilt või pealülitiga*. *Ainult teatud mudelitel. (Joon. 26)
5. Ühendage voolik seadme sissetõmbeavaga ja elektritööriistaga. Ühendage elektritööriista toitekaabel seadmel olevasse pistikupessa. (Joon. 27)
6. Veenduge, et elektritööriista lüliti oleks asendis „0”. (Joon. 23)
7. Seadke seadme pealüliti elektritööriista asendisse (A).
8. Seadke elektritööriista lüliti asendisse „I” (B). (Joon. 28)

Märkus: Kasutage seadme käivitamiseks ja seiskamiseks seadme pealüliti (A) või elektritööriista lüliti (B).

Vedeliku koristamine

Märkus: Seadmes on ujukisüsteem, mis seiskab õhuvoolu läbi seadme, kui vedelik jõuab maksimumtasemeni.



ETTEVAATUST: Ärge koristage vedelikku, kui ujukisüsteemi pole paigaldatud.

1. Veenduge, et filter ja filtri pinguti (ujukisüsteem) oleks paigaldatud, vt *Filtri vahetamine lk 110*. Kui filterkott on paigaldatud, eemaldage see.
2. Kasutage vedeliku koristamiseks põrandotsakut.
3. Kui vedelik tõuseb maksimumtasemeni, muutub mootori müra märgatavalt. Imemisvõimsus väheneb.
4. Seisake seade, vt *Seadme seiskamine lk 108*.
5. Tühjendage prügimahuti, vt *Prügimahuti tühjendamine pärast vedeliku koristamist lk 109*.

Hooldamine

Sissejuhatus

koristage vedelikku ilma paigaldamata ujukisüsteemi ja filtrita.



HOIATUS: Enne seadme hooldamist lugege põhjalikult läbi ohutust puudutav peatükk.

Toote hooldamiseks ja remontimiseks on vaja erioskusi. Tagame asjatundliku remondi- ja hooldustöö. Kui edasimüüjal, kellelt toote ostsite, pole hooldustöökoda, küsige neilt teavet lähima hooldustöökoja kohta.

Regulaarne hooldus ja ülevaatus

- Seadet peavad regulaarselt hooldama ja üle vaatama pädevad isikud vastavalt asjaomastele määrustele ja eeskirjadele.
- Regulaarselt tuleb kontrollida elektrisüsteemi maanduse juhtivust, isolatsioonitakistust ja painduva juhtme seisundit.
- Kui avastatakse defekt, **tuleb** toote kasutamine lõpetada ja see tuleb lasta volitatud hooldustehnikul remontida.

Tolmuklassi L seadmete hooldamine

Tolmuklassi L kuuluvate seadete (WDC 325L) puhul kehtivad järgmised nõuded.

- Hooldamise ja puhastamise ajal tuleb kasutada seadet nii, et oleks tagatud töötajate ja kõrvaliste isikute ohutus.
- Hooldusalal kehtivad järgmised nõuded.
 - Kasutage kindlasti filtreeritud õhuvoolu.
 - Kandke kaitserõivaid.
 - Puhastage hooldusala, et ohtlik materjal ei pääseks muudesse aladesse.
- Kui osadid pole võimalik hoolduse või remondi ajal rahuldavalt puhastada, toimige järgmiselt.
 - Pange osad kindlalt suletud kottidesse.
 - Käidelge osad nõuetekohaselt.

Prügimahuti tühjendamine pärast vedeliku koristamist

1. Seisake seade, vt *Seadme seiskamine lk 108*.
2. Tõmmake voolik lahtiühendamiseks sissetõmbeavast välja.
3. Avage klambrid ja tõstke mootor maha. (Joon. 8)
4. Prügimahuti tühjendamiseks kallutage seda tahapoole ja valage vedelik äravooluavasse. *Käepide on ainult teatud mudelitel. (Joon. 29)



ETTEVAATUST: Tühjendage ja puhastage prügimahuti ja ujukisüsteem alati pärast vedeliku koristamist. Ärge

5. Paigaldage mootor prügimahutile ja kinnitage klambrid. (Joon. 12)

Prügimahuti tühjendamine pärast kuiva materjali koristamist

1. Seisake seade, vt *Seadme seiskamine lk 108*.
2. Avage klambrid ja tõstke mootor maha. (Joon. 8)
3. Kontrollige, kas filterkott on täis.
4. Kui filterkott on täis, eemaldage see.



ETTEVAATUST: Ärge koristage kuiva materjali ilma paigaldamata filtri ja filterkotita.

5. Paigaldage uus filterkott, vt *Filterkoti paigaldamine lk 107*.

Märkus: Seadme imemistõhusus sõltub filtri ja filterkoti mõõtmetest ja kvaliteedist. Kasutage ainult Husqvarna filtrit ja filterkotte.

6. Paigaldage mootor prügimahutile ja kinnitage klambrid. (Joon. 12)

Filtri puhastamine, filtripuhastussüsteem

Seadmel on poolautomaatne filtripuhastussüsteem. Kasutage filtripuhastussüsteemi regulaarselt ja alati vähemalt siis, kui puhastusjõudlus pole enam piisav. Filtripuhastussüsteemi regulaarne kasutamine pikendab filtri eluiga.

1. Kui imemisvõimsus pole enam piisav, puhastage filtrit. (Joon. 30)
2. Ühendage voolik seadme esiküljel olevasse sissetõmbeavasse. (Joon. 16)
3. Ühendage seade vooluvõrku.
4. Seadke pealüliti asendisse „I“. (Joon. 17)
5. Vajutage käepide peopessa (A), et tekitada vaakum.
6. Lööge rusikaga 3 korda vastu filtripuhastusnuppu (B). (Joon. 31)
7. Kui imemisvõimsus pole enam piisav, eemaldage filter, vt *Filtri vahetamine lk 110*.
8. Filtri puhastamiseks raputage, harjake või peske seda.
9. Laske filtril kuivada.
10. Paigaldage filter, vt *Filterkoti paigaldamine lk 107*.

Seadme välikorpuse puhastamine

1. Seisake seade, vt *Seadme seiskamine lk 108*.
2. Puhastage seadet kuiva lapiga ning väikse koguse pihustatava poleerimisvahendiga.

Filtri vahetamine

Seade on konstrueeritud pikaajaliseks raskeks tööks. Filtrit tuleb vahetada olenevalt töötundide arvust.

1. Seisake seade, vt *Seadme seiskamine lk 108*.
2. Avage klambrid ja tõstke mootor maha. (Joon. 8)
3. Pöörake filtri pingutit (A) vastupäeva ja tõmmake see välja. Tõmmake filter (B) välja. (Joon. 32)
4. Paigaldage uus filter (A). Paigaldage filtri pinguti (B) ja pöörake seda päripäeva. (Joon. 33)
5. Veenduge, et filter ja filtri pinguti oleksid paigaldatud. (Joon. 34)

6. Paigaldage mootor prügimahutile ja kinnitage klambrid. (Joon. 12)

Filterkoti vahetamine

1. Seisake seade, vt *Seadme seiskamine lk 108*.
2. Avage klambrid ja tõstke mootor maha. (Joon. 8)
3. Kontrollige, kas filterkott on täis. Kui filterkott on täis, eemaldage see.
4. Tõmmake filterkoti papist osa sissetõmbeava pealt maha.
5. Tõstke filterkott (A) välja ja visake ära.
6. Pange uus filterkott prügimahutisse (B).
7. Kinnitage filterkoti papist osa sissetõmbeava (C) peale. Veenduge, et kummist membraan libiseks üle sissetõmbeava kõrgema osa. (Joon. 35)
8. Paigaldage mootor prügimahutile ja kinnitage klambrid. (Joon. 12)

Transportimine, hoiulepanek ja utiliseerimine

Transportimine ja hoiustamine

- Pärast kasutamist
 - Kui seadet ei kasutata, lahutage see toitevõrgust.
 - Kerige juhe ümber seadme, alustades seadme poolt.
 - Kinnitage kaabel mootori külge kaablihooidikusse.
 - Kerige voolik kokku.
 - Kinnitage voolik mootori külge voolikuhoidikusse.
- Transportimine
 - Sulgege kõik mootori klambrid.
 - Ärge kallutage seadet, kui prügimahutis on vedelikku.
 - Ärge tõstke seadet kraanakonksu abil.
- Hoiustamine
 - Hoidke seadet kuivas kohas, mis ei külmu.

Seadme ringlussevõtmine

Seadme kasutuskõlbmatuks tegemiseks toimige järgmiselt.

1. Ühendage pistik toitevõrgust lahti.
2. Lõigake toitejuhe läbi.
3. Ärge visake seadet ära koos tavalise olmeprügiga.

Utiliseerimine (vastavalt standardile 2012/19/EÜ).

Toodet ei tohi visata harilikku olmeprügi hulka. Selle utiliseerimisel tuleb järgida kohalikke keskkonnanäeskirju.

Veenduge, et toote utiliseerimine toimub kohaliku jäätmeäitluskeskuse kaudu.

(Joon. 5)

Tehnilised andmed

Tehnilised andmed

	EU/CH		GB		AU/NZ		US
	WDC 220	WDC 325L	WDC 220	WDC 325L	WDC 220	WDC 325L	WDC 225
Pinge, V	220–240	220–240	220–240	220–240	220–240	220–240	110–120
Võimsus P_{iec} , W	1000	1200	1000	1000	1000	1000	1000
Seadme pistikupesa ühenduskoormus, W	-	2400 /1100	-	1900	-	1300	-
Sagedus, Hz	50/60				50–60		50/60
Kaitse, A	10	16/10	13	13	10	10	15
Kaitseklass (niiskus, tolm)	IPX4						
Kaitseklass (elekter)	II (Joon. 4)	I	II (Joon. 4)	I	II (Joon. 4)	I	II (Joon. 4)
Õhuvool, l/min	3600	3700	3600	3600	3600	3600	3200
Õhuvool, cfm	127	130	127	127	127	127	113
Imemisvõime, mbar	210	235	210	210	210	210	210
Helirõhutase 1 meetri kaugusel, EN 60704-1, dB(A) +/- 2	72						
Vibratsioon ISO 5349, m/s ² +/- 1	<1,5						
Kaal, kg	7,5	8,5	7,5	8,5	7,5	8,5	7,5
Laius, mm	377	376	377	376	377	376	377
Sügavus, mm	385	392	385	392	385	392	392
Kõrgus, mm	506	533	506	530	506	530	550

EÜ vastavusdeklaratsioon

EÜ vastavusdeklaratsioon

Husqvarna AB, SE-561 82 Huskvarna, Rootsi, tel:
+46-36-146500, kinnitab, et **tolmuimeja Husqvarna WDC
220, 3325L** vastab järgmiste NÕUKOGU DIREKTIIVIDE
nõuetele:

- **2006/42/EÜ** (17. mai 2006), masinadirektiiv;
- **2014/30/EL** (26. veebruar 2014), elektromagnetilise
ühilduvuse direktiiv;

Rakendatud on järgmisi standardeid:

**EN 60335-1:2012+A11:2014, EN 60335-2-69:2012, EN
55014-1:2006+A1:2009+A2:2011, EN 55014-2:2015,
EN 61000-3-2:2014, EN 61000-3-3:2013**

Kui pole märgitud teisiti, mõeldakse ülalpool loetletud
standardite all nende kõige viimaseid avaldatud
versioone.

Huskvarna, 2018-08-01



Cornelia Ekbladh, tootehalduse osakonna juhataja

Sisällys

Johdanto.....	113	Huolto.....	119
Turvallisuus.....	114	Kuljettaminen, säilyttäminen ja hävittäminen.....	120
Asentaminen.....	118	Tekniset tiedot.....	122
Käyttö.....	118	EY-vaatimustenmukaisuusvakuutus.....	123

Johdanto

Tuotekuvaus

Laitte on monikäyttöinen imuri kaupalliseen käyttöön.

Käyttötarkoitus

Laitteella voi imuroida kuivaa, syttymätöntä pölyä ja nesteitä.

Laitteen kuvaus WDC 220, WDC 225

(Kuva 1)

1. Pääkytkin
2. Suodatinpuhdistusjärjestelmä
3. Imuaukko
4. Pyörät
5. Kaapelin pidike, letkun pidike
6. Suodatinpussi

Laitteen kuvaus WDC 325L

(Kuva 2)

1. Pääkytkin
2. Suodatinpuhdistusjärjestelmä
3. Imuaukko
4. Pyörät
5. Kaapelin pidike, letkun pidike
6. Suodatinpussi
7. Suutin
8. Kahva
9. Lattiasuutin
10. Rakosuutin
11. Käyttöohjekirja
12. Jatkoputki
13. Letku
14. Sähkötyökalusovitin
15. Sähkötyökalun sähköliitäntä
16. Työkalulaatikko

Laitteen symbolit

(Kuva 3) Lue käyttöohje huolellisesti ja varmista, että ymmärrät sen sisällön, ennen kuin alat käyttää konetta.

(Kuva 4) Laitteessa on kaksoiseristys.

Tutustu turva- ja käyttöohjeisiin ja noudata niitä.

Tee laitteelle ainoastaan valmistajan määrittämiä huolto- ja korjaustoimia.

Valmistaja ei vastaa vioista, jotka johtuvat vääränlaisesta käytöstä tai vääränlaisista huolto- tai korjaustoimista.

7. Suutin
8. Kahva
9. Lattiasuutin
10. Rakosuutin
11. Käyttöohjekirja
12. Jatkoputki
13. Letku

(Kuva 5) Älä hävitä laitetta kotitalousjätteen mukana. Noudata paikallisia säädöksiä.

(Kuva 6) Laitte täyttää voimassa olevien EY-direktiivien vaatimukset.

Huomautus: Muita laitteen symboleita/tarroja tarvitaan muilla markkina-alueilla ilmaisemaan sertifiointivaatimuksia.

Pölyluokka L

(Kuva 7)

Noudata pölyluokan L turvaohjeita ja -toimia.

Tuotevastuu

Tuotevastuulain mukaisesti emme ole vastuussa tuotteen aiheuttamasta vaurioista, jos

- tuote on korjattu virheellisesti
- tuotteen korjaamiseen on käytetty muita kuin valmistajan omia tai sen hyväksymiä osia
- tuotteessa on muu kuin valmistajan oma tai sen hyväksymä lisävaruste
- tuotetta ei ole korjattu valtuutetussa huoltopisteessä tai hyväksytyllä asiantuntijalla.

Turvallisuus

Turvallisuusmääritelmät

Varoituksia, huomioita ja huomautuksia käytetään, kun jotakin käyttöohjeen osaa halutaan erityisesti korostaa.



VAROITUS: Tätä käytetään, jos käyttöohjeen noudattamatta jättämisestä voi seurata käyttäjän tai sivullisen vamma tai kuolema.



HUOMAUTUS: Tätä käytetään, jos käyttöohjeen noudattamatta jättämisestä voi seurata koneen, muiden materiaalien tai ympäristön vaurioituminen.

Huomautus: Tätä käytetään tietyissä tilanteissa tarvittavien lisätietojen antamiseen.

Yleiset turvaohjeet



VAROITUS: Lue seuraavat varoitusohjeet ennen laitteen käyttämistä.

- Jos laite ja/tai lisävaruste on vioittunut, se on korjautettava hyväksytyssä huoltoliikkeessä. Älä käytä vaurioitunutta laitetta.
 - Älä anna lasten käyttää laitetta. Laitetta saavat käyttää ja huoltaa vain henkilöt, jotka ovat lukeneet ohjeet.
 - Laitetta on käytettävä valvotusti.
 - Muista aina valvoa laitetta käyttävää henkilöä, jonka fyysiset tai psyykkiset taidot ovat heikentyneet.
 - Lapsia on valvottava, jotta voidaan varmistaa, etteivät he leiki laitteella.
- Älä käytä vaarallisia työskentelytapoja.
 - Älä käytä laitetta, jos suodattimet eivät ole oikeassa asennossa.
 - Pysäytä laite ja irrota pistorasia seuraavissa tilanteissa:
 - Ennen puhdistusta ja huoltoa.
 - Ennen korjausta.
 - Jos alueella on vaahtoa tai nestettä.
 - Älä poistu laitteen luota, kun se on liitetty pistorasiaan. Irrota virtapistoke, kun laitetta ei käytetä ja ennen huoltoa.
 - Älä käytä laitetta, jos johto tai pistoke vaurioitunut. Vedä pistokkeesta, älä johdosta. Älä pitele pistoketta tai laitetta märin käsin. Nollaa kaikki hallintalaitteet, ennen kuin irrotat laitteen pistorasiasta.
 - Älä vedä laitetta johdosta. Älä käytä johtoa kahvana. Älä jätä johtoa oven väliin tai vedä sitä terävien reunojen tai kulmien yli. Älä käytä laitetta johtonsa päällä. Pidä johto etäällä lämmönlähteistä.
 - Pidä hiukset, löysät vaatteet, sormet ja muut vartalon osat

- etäällä aukoista ja liikkuvista osista. Älä aseta mitään esineitä laitteen aukkoihin tai käytä, jos jokin aukko on tukossa. Pidä aukot vapaina pölystä, nukasta, hiuksista ja kaikesta muusta, mikä voi heikentää ilman virtausta.
- Älä imuroi WDC 220, WDC 225 -laitteella vaarallista pölyä.
 - Älä imuroi palavia nesteitä, kuten bensiiniä. Älä käytä laitetta paikoissa, joissa voi olla kyseisenlaisia tuotteita.
 - Älä imuroi mitään palavaa tai savuavaa, kuten savukkeita, tulitikkuja tai kuumaa tuhkaa.
 - Ole varovainen, kun siivoat portaita.
 - Jos laitteesta vuotaa vaahtoa tai nestettä, pysäytä laite heti.
 - Älä käytä laitetta vesipumppuna.
 - Liitä laite oikein maadoitettuun pistorasiaan. Pistorasiassa ja jatkojohdossa on oltava toimiva suojaava johdin (koskee ainoastaan muita kuin kaksoiseristettyjä tuotteita).
 - Varmista, että ilma virtaa hyvin työskentelyalueella.
 - Älä käytä laitetta tikkaina.
 - Pölynpoistajia käytettäessä huoneen ilmanvaihdon on oltava riittävä, jos imurin poistoilma palaa samaan tilaan. Noudata kansallisia säädöksiä ennen käyttöä.
 - Kerro ja opeta pölyluokan L laitteiden (WDC 325L) käyttäjälle ennen käyttöä seuraavat asiat:
 - laitteen käyttäminen
 - imuroitavien materiaalien riskit
 - imuroitujen materiaalien turvallinen hävittäminen.
 - Seuraava koskee pölyluokan L laitteita WDC 325L:
 - Laitteella voi imuroida kuivaa, syttymätöntä pölyä ja nesteitä, vaarallista pölyä, jonka työperäisen altistustason (OEL) ¹⁾ arvo on alle 1 mg/m³. Pölyluokka L (IEC 60335-2-69). Tämän luokan pölyn työperäisen altistustason (OEL) ¹⁾ arvo on yli 1 mg/m³.
 - Pölyluokan L laitteiden suodatinmateriaali on testattu. Lämpisevyyden enimmäisaste on 1 %. Mitään erityisiä hävittämisvaatimuksia ei ole.

Huomautus: Noudata paikallisia lakeja. Ne saattavat asettaa ikärajoituksia käyttäjille.

Kaksoiseristettyjen tuotteiden turvallisuus



VAROITUS: Käytä laitetta ainoastaan tässä oppaassa määritetyllä tavalla ja ainoastaan valmistajan suosittelemien lisävarusteiden kanssa.

**VAROITUS: Ainoastaan Iso-Britannia:**

Lue nämä tärkeät ohjeet. Näiden ohjeiden laadinnassa on keskitytty erityisesti turvallisuuteen ja tehokkuuteen. Hyväksytyin ohjaajan on koulutettava käyttäjä, jonka on sisäistettävä nämä käyttöohjeet. Käyttäjän on tunnettava kaikki sovellettavat, käyttöaikana voimassa olevat määräykset ja lait.

**VAROITUS: Ennen laitteen**

liittämistä: Varmista, että märkä-/kuivaimurin tyyppikilven tiedot vastaavat virtalähteen jännitettä ja taajuutta.

**VAROITUS: Laitteessa on**

kaksoiseristys. Käytä vain Husqvarnan varaosia. Katso ohjeista, miten kaksoiseristettyjä tuotteita huolletaan.

**VAROITUS: Koneessa on erikoisjohto.**

Jos johto on vioittunut, se on vaihdettava samantyyppiseen. Niitä on saatavilla hyväksytyistä huoltokeskuksista ja jälleenmyyjiltä, ja niiden asentajan on kuuluttava hyväksytyyn henkilökuntaan.

**VAROITUS: Kaksoiseristetyn laitteen**

huoltotoimet edellyttävät järjestelmän tuntemusta. Kaksoiseristetyissä laitteissa on kaksi eristysjärjestelmää maadoituksen sijasta. Kaksoiseristetyt laitteet eivät sisällä maadoitustapoja eikä niitä saa lisätä. Huoltotoimia saa tehdä ainoastaan hyväksytyt huoltohenkilöstö. Kaksoiseristetyn laitteen osia saa vaihtaa ainoastaan samanlaisiin. Kaksoiseristetyissä laitteissa on merkintä DOUBLE INSULATION tai DOUBLE INSULATED. Laitteessa saattaa olla myös symboli.

Johdon pituus	Poikkipinta-ala	
	<16 A	<25 A
<20 m	1,5 mm ²	2,5 mm ²
20–50 m	2,5 mm ²	4,0 mm ²



VAROITUS: Imurin yläosa sisältää jännitteisiä osia. Jännitteisten osien koskettaminen aiheuttaa vakavia vammoja tai kuoleman.

- Älä suihkuta vettä imurin yläosaan.



VAROITUS: Sähköisku viallisen virtajohdon vuoksi Viallisen virtajohdon koskettaminen voi aiheuttaa vakavia vammoja tai kuoleman.

- Älä vahingoita virtajohtoa (esimerkiksi ajamalla sen päältä, vetämällä sitä tai jättämällä sitä puristuksiin).
- Tarkista virtajohto säännöllisesti vaurioiden ja kulumisen jälkien varalta.
- Jos sähkökaapeli on vaurioitunut, sen vaihtaminen on turvallisuussyistä annettava valtuutetun Husqvarna-jakelijan tai

Sähköturvallisuus

- Imuri on suositeltavaa liittää vikavirtasuojajakytkimeen.
- Järjestä sähköosat (pistorasiat, pistokkeet ja liittimet) ja aseta jatkojohto niin, että suojausluokka säilyy.
- Virtalähteen johtojen ja jatkojohtojen liitinten ja liitäntöjen on oltava vesitiiviitä.

Jatkojohto

- Käytä jatkojohtona valmistajan määrittämää versiota tai sitä laadukkaampaa.
- Kun käytät jatkojohtoa, tarkista sen pienin poikkipinta-ala:

vastaavan ammattilaisen tehtäväksi.

- Virtalähteen johtoa ei saa koskaan kiertää sormien tai käyttäjän vartalon osien ympärille.



HUOMAUTUS: Laitteen pistoke (vain joissakin malleissa) on tarkoitettu ainoastaan käyttöohjeissa mainittuihin tarkoituksiin. Erilaisten laitteiden liittäminen saattaa aiheuttaa vaurioita.

- Ennen kuin liität laitetta, pysäytä aina sekä imuri että siihen liitettävä laite.
- Lue liitettävän laitteen käyttöohjeet ja noudata niiden turvallisuushuomautuksia.



HUOMAUTUS: Sopimattoman verkkovirran jännitteen aiheuttamat vauriot Laite voi vioittua, jos se liitetään sopimattomaan verkkovirran jännitteeseen.

- Varmista, että märkä-/kuivaimurin tyypikilven tiedot vastaavat virtalähteen jännitettä ja taajuutta.

Turvallisuusohjeet käyttöä varten

Nesteiden imuroiminen



HUOMAUTUS: Älä imuroi palavia nesteitä.

- Poista suodatinpussi, ennen kuin alat imuroida nesteitä. Tarkista, että kelluke tai veden tason rajoitin toimii oikein.
- Käytä erikoissuodatinelementtiä tai sihtiä.
- Jos laitteesta vuotaa vaahtoa, lopeta työ heti ja tyhjennä säiliö.

Vaaralliset materiaalit



VAROITUS: Älä imuroi vaarallisia materiaaleja. Ne voivat aiheuttaa vammoja.

- Älä imuroi seuraavia materiaaleja:
 - vaarallista pölyä
 - kuumia materiaaleja, kuten palavia savukkeita tai kuumaa tuhkaa
 - syttyviä, räjähtäviä, vahvoja nesteitä, kuten bensiniä, liuottimia, happoja ja emäksiä
 - syttyvää, räjähtävää pölyä, kuten magnesium- tai alumiinipölyä.

Varaosat ja lisävarusteet



HUOMAUTUS: Käytä laitteen turvallisuuden vuoksi ainoastaan n varaosia ja lisävarusteita.

- Käytä ainoastaan Husqvarnan varaosia ja lisävarusteita.
- Käytä ainoastaan laitteen mukana toimitettuja tai käyttöohjeessa mainittuja harjoja.

Räjähdyks- tai syttymisherkät ympäristöt



HUOMAUTUS: Älä käytä laitetta räjähdys- tai syttymisherkissä ympäristöissä. Älä käytä laitetta lähellä nesteitä, kaasuja tai höyryjä, jotka voivat lisätä ympäristön syttymisherkkyyttä.

Puhallintoiminto



VAROITUS: Pöly voi aiheuttaa terveysongelmia. Laitteessa on puhallintoiminto. Älä puhalla laitteella ilmaa sattumanvaraisesti suljetuilla alueilla. Käytä puhallintoiminnon yhteydessä vain puhdasta letkua.

Turvaohjeet huoltoa varten



VAROITUS: Lue kaikki seuraavat varoitusohjeet ennen laitteen huoltamista.

Säiliön tyhjentäminen



HUOMAUTUS: Imuroidut materiaalit voivat olla vaarallisia ympäristölle. Hävitä ne määräysten mukaisesti.

Asentaminen



VAROITUS: Lue ja sisäistä turvallisuutta käsittelevä luku ennen laitteen asentamista.

Ennen asentamista:

1. Avaa lukot ja nosta moottoriyksikkö irti. (Kuva 8)
2. Irrota lisävarusteet säiliöstä. (Kuva 9)
3. Varmista, että kaikki osat ovat mukana. Katso tuotteen kuvausta. Tarvittavat työkalut: Ruuvimeisseli.

Suodatinpussin asennus

1. Aseta pääkytkin asentoon 0.
2. Irrota laite pistorasiasta. (Kuva 10)
3. Avaa lukot ja nosta moottoriyksikkö irti. (Kuva 8)
4. Aseta suodatinpussi säiliöön.
5. Kiinnitä suodatinpussin pahviosa imuaukkoon. Varmista, että kumikalvo ulottuu imuaukon korotuksen yli. (Kuva 11)
6. Aseta moottoriyksikkö säiliön päälle ja kiinnitä lukot. (Kuva 12)

Lisävarusteiden kiinnittäminen

1. Aseta lisävarusteet paikoilleen, jotta niitä on helppo käyttää. (Kuva 13)
2. Kiinnitä työkalulaatikko laitteen takaosaan. (Kuva 14)
3. Kiinnitä pidike kaapeliin ja letku laitteen takaosaan. (Kuva 15)

Letkun asennus

1. Aseta letku laitteen etuosan imuaukkoon. (Kuva 16)
2. Kytke laite verkkovirtaan.
3. Aseta pääkytkin I-asentoon. (Kuva 17)
4. Säädä imutehoa kahvasta tai pääkytkimestä*. *Vain joissakin malleissa. (Kuva 18)

Putken pidikkeen asennus

1. Liikuta putken pidikettä pystysuunnassa jatkoputkessa.
2. Asenna putken pidike oikealle korkeudelle jatkoputkeen ruuvimeisselin avulla. (Kuva 19)
3. Pysäytä jatkoputki pysäyttimien kohtaan laitteen takaosassa. (Kuva 20)

Käyttö

Johdanto



VAROITUS: Lue turvallisuutta käsittelevä luku niin, että ymmärrät sen sisällön, ennen laitteen käyttämistä.

Laitteen käynnistäminen

Varmista ennen laitteen käyttöä, että tyyppikilven taajuus ja jännite vastaavat verkkovirran jännitettä.

1. Varmista, että pääkytkin on asennossa 0. (Kuva 10)
2. Tarkista, että oikeat suodattimet ovat paikoillaan laitteessa.
3. Aseta letku laitteen etuosan imuaukkoon. Työnnä letkua eteenpäin, kunnes se on tiukasti paikallaan imuaukossa. (Kuva 16)
4. Yhdistä jatkoputket kahvan avulla. Tarkista jatkoputkien asento kiertämällä niitä.
5. Kiinnitä suutin jatkoputkeen. Valitse suutin siivottavan materiaalin mukaan.

6. Liitä pistoke verkkovirtaan.

7. Käynnistä laite asettamalla pääkytkin asentoon I. (Kuva 17)

Koneen pysäyttäminen

1. Pysäytä laite asettamalla pääkytkin asentoon 0.
2. Irrota pistoke verkkovirrasta. (Kuva 10)

Puhallintoiminnon käyttäminen

1. Aseta letku laitteen takaosan aukkoon. (Kuva 21)
2. Liitä pistoke verkkovirtaan.
3. Aseta pääkytkin I-asentoon. (Kuva 17)
4. Säädä puhallusteho kahvasta tai pääkytkimestä*. *Vain joissakin malleissa. (Kuva 22)

Sähkötyökaluliitännän käyttäminen*

*Vain joissakin malleissa.



HUOMAUTUS: Noudata sähkötyökaluliitäntään liitettyjen laitteiden käyttö- ja turvaohjeita.

Huomautus: Liitetyn työkalun enimmäisvirrankulutus ilmoitetaan osassa *Tekniset tiedot sivulla 122*.

1. Varmista, että sähkötyökalun kytkin on asennossa 0. (Kuva 23)
2. Irrota kahva letkusta. Paina letkun päässä olevia luukkuja (A) ja vedä kahva (B) ulos. (Kuva 24)
3. Liitä sähkötyökalusovitin. (Kuva 25)
4. Säädä imutehoa sähkötyökalusovittimesta tai pääkytkimestä*. *Vain joissakin malleissa. (Kuva 26)
5. Liitä letku laitteen imuaukkoon ja sähkötyökaluun. Liitä sähkötyökalun kaapeli laitteen sähköliitäntään. (Kuva 27)
6. Varmista, että sähkötyökalun kytkin on asennossa 0. (Kuva 23)
7. Aseta laitteen pääkytkin sähkötyökaluasentoon (A).
8. Aseta sähkötyökalun kytkin asentoon I (B). (Kuva 28)

Huomautus: Voit käynnistää ja sammuttaa laitteen pääkytkimellä (A) tai sähkötyökalusta (B).

Nesteiden imuroiminen

Huomautus: Laitteessa on kellukejärjestelmä, joka pysäyttää ilmavirtauksen laitteen läpi, kun nestettä on enimmäismäärä.



HUOMAUTUS: Älä imuroi nesteitä, jos kellukejärjestelmä ei ole paikallaan.

1. Varmista, että suodatin ja suodattimen kiristin (kellukejärjestelmä) on paikallaan. Katso kohtaa *Suodattimen vaihtaminen sivulla 120*. Poista suodatinpussi, jos se on asennettuna.
2. Käytä nesteiden imurointiin lattiasuutinta.
3. Nesteen enimmäistasolla moottorin ääni muuttuu merkittävästi. Imuteho laskee.
4. Pysäytä laite. Katso kohtaa *Koneen pysäyttäminen sivulla 118*.
5. Tyhjennä säiliö. Katso kohtaa *Säiliön tyhjentäminen nesteen imuroinnin jälkeen sivulla 119*.

Huolto

Johdanto



VAROITUS: Ennen minkäänlaisten huoltotöiden aloittamista sinun on luettava turvallisuutta käsittelevä luku niin, että ymmärrät sen sisällön.

Kaikkiin tuotteelle tehtäviin huolto- ja korjaustöihin tarvitaan erityiskoulutus. Takaamme, että tuotteemme huolletaan ja korjataan ammattimaisesti. Jos jälleenmyyjäsi ei ole huoltoliike, pyydä jälleenmyyjää neuvomaan lähin huoltoliike.

Säännöllinen huolto ja tarkastus

- Laitteen säännöllinen huolto ja tarkastus on tehtävä asianmukaisten lakien ja määräysten mukaisesti ja se on annettava valtuutetun henkilöstön tehtäväksi.
- Maadoituksen jatkuvuuden, eristysvastuksen ja joustavan johdon kunnan sähköiset testit on tehtävä säännöllisesti.
- Jos vika löytyy, laite on **poistettava** käytöstä ja vietävä hyväksytyyn huoltoteknikon korjattavaksi.

Pölyluokan L tuotteiden huolto

Seuraava koskee pölyluokan L tuotteita, WDC 325L.

- Laitetta on käytettävä huollon ja puhdistuksen yhteydessä turvallisesti huoltohenkilöstön ja muiden kannalta.

- Huoltoalueella:
 - Käytä suodatettua ilmaa.
 - Käytä suojavarusteita.
 - Siivoa huoltoalue, jotta haitallisia materiaaleja ei pääse muille alueille.
- Jos osia ei voi puhdistaa tyydyttävästi huollon ja korjauksen aikana:
 - Siirrä osat pusseihin ja sulje pussit oikein.
 - Hävitä osat määräysten mukaisesti.

Säiliön tyhjentäminen nesteen imuroinnin jälkeen

1. Pysäytä laite. Katso kohtaa *Koneen pysäyttäminen sivulla 118*.
2. Irrota letku imuaukosta vetämällä letku ulos.
3. Avaa lukot ja nosta moottoriyksikkö irti. (Kuva 8)
4. Tyhjennä säiliö kallistamalla sitä taaksepäin ja kaatamalla nesteet lattiaikaivoon. * Kahva on vain joissakin malleissa. (Kuva 29)



HUOMAUTUS: Tyhjennä säiliö ja puhdista se ja kellukejärjestelmä aina nesteiden imuroinnin jälkeen. Älä imuroi nesteitä, jos kellukejärjestelmää ja suodatinta ei ole asennettu laitteeseen.

5. Aseta moottoriyksikkö säiliön päälle ja kiinnitä lukot. (Kuva 12)

Säiliön tyhjentäminen kuivien materiaalien imuroinnin jälkeen

1. Pysäytä laite. Katso kohtaa *Koneen pysäyttäminen sivulla 118*.
2. Avaa lukot ja nosta moottoriyksikkö irti. (Kuva 8)
3. Tarkista, onko suodatinpussi täynnä.
4. Poista suodatinpussi, jos se on täynnä.



HUOMAUTUS: Älä imuroi kuivia materiaaleja, jos suodatin ja suodatinpussi eivät ole paikoillaan.

5. Asenna uusi suodatinpussi. Katso kohtaa *Suodatinpussin asennus sivulla 118*.

Huomautus: Laitteen imuteho määräytyy suodattimen ja suodatinpussin mittojen ja laadun mukaan. Käytä vain Husqvarnan suodattimia ja suodatinpusseja.

6. Aseta moottoriyksikkö säiliön päälle ja kiinnitä lukot. (Kuva 12)

Suodattimen puhdistaminen, suodatinpuhdistusjärjestelmä

Laitteessa on puoliautomaattinen suodatinpuhdistusjärjestelmä. Käytä suodatinpuhdistusjärjestelmää säännöllisesti viimeistään, kun puhdistusteho ei enää riitä. Suodatinpuhdistusjärjestelmän säännöllinen käyttö pidentää suodattimen käyttöaikaa.

1. Puhdista suodatin, kun imuteho ei enää riitä. (Kuva 30)
2. Aseta letku laitteen etuosan imuaukkoon. (Kuva 16)
3. Kytke laite verkkovirtaan.
4. Aseta pääkytkin I-asentoon. (Kuva 17)
5. Aseta kahva kättäsi vasten (A), jotta imu kohdistuu käteesi.
6. Lyö suodattimen puhdistuspainiketta 3 kertaa nyrkillä (B). (Kuva 31)
7. Jos imuteho ei riitä, poista suodatin. Katso kohtaa *Suodattimen vaihtaminen sivulla 120*.

8. Puhdista suodatin ravistamalla, harjaamalla tai pesemällä.
9. Anna suodattimen kuivua.
10. Asenna suodatin. Katso kohtaa *Suodatinpussin asennus sivulla 118*.

Laitteen puhdistaminen ulkopuolelta

1. Pysäytä laite. Katso kohtaa *Koneen pysäyttäminen sivulla 118*.
2. Puhdista laite kuivalla liinalla ja pienellä määrällä suihkutettavaa kiillotusainetta.

Suodattimen vaihtaminen

Laite on tarkoitettu jatkuvaan kovaan käyttöön. Pölysuodatin on vaihdettava tietyn käyttötuntimäärän välein.

1. Pysäytä laite. Katso kohtaa *Koneen pysäyttäminen sivulla 118*.
2. Avaa lukot ja nosta moottoriyksikkö irti. (Kuva 8)
3. Käännä suodattimen kiristintä (A) vastapäivään ja vedä se ulos. Vedä suodatin (B) ulos. (Kuva 32)
4. Asenna uusi suodatin (A). Asenna suodattimen kiristin (B) ja käännä sitä myötäpäivään. (Kuva 33)
5. Varmista, että suodatin ja suodattimen kiristin ovat paikoillaan. (Kuva 34)
6. Aseta moottoriyksikkö säiliön päälle ja kiinnitä lukot. (Kuva 12)

Suodatinpussin vaihtaminen

1. Pysäytä laite. Katso kohtaa *Koneen pysäyttäminen sivulla 118*.
2. Avaa lukot ja nosta moottoriyksikkö irti. (Kuva 8)
3. Tarkista, onko suodatinpussi täynnä. Poista suodatinpussi, jos se on täynnä.
4. Irrota vanhan suodatinpussin pahviosa imuaukosta.
5. Nosta suodatinpussia (A) ja hävitä se.
6. Aseta uusi suodatinpussi säiliöön (B).
7. Kiinnitä suodatinpussin pahviosa imuaukkoon (C). Varmista, että kumikalvo ulottuu imuaukon korotuksen yli. (Kuva 35)
8. Aseta moottoriyksikkö säiliön päälle ja kiinnitä lukot. (Kuva 12)

Kuljettaminen, säilyttäminen ja hävittäminen

Kuljetus ja säilytys

- Käytön jälkeen:
 - Irrota laitteen pistoke verkkovirrasta, kun laite ei ole käytössä.
 - Kelaajaa johto alkaen laitteen läheltä.
- Kuljetus:
 - Kiinnitä johto moottoriyksikköön kaapelinpidikkeellä.
 - Kelaajaa letku.
 - Kiinnitä letku moottoriyksikköön letkun pidikkeellä.
- Kuljetus:
 - Sulje kaikki moottoriyksikön lukot.

- Älä kallista laitetta, jos säiliössä on nestettä.
- Älä nosta laitetta nosturin koukulla.
- Säilytys:
 - Säilytä tuotetta kuivassa paikassa, jossa lämpötila ei laske pakkasen puolelle.

Koneen kierrätys

Muuta laite käyttökelvottomaksi seuraavasti.

1. Irrota pistoke verkkovirrasta.
2. Katkaise virtajohto.
3. Älä hävitä laitetta kotitalousjätteen mukana.

Hävittäminen (direktiivin 2012/19/EU mukaisesti):

Tuotetta ei saa laittaa kotitalousjätteisiin. Se on hävitettävä paikallisten ympäristömääräysten mukaisesti.

Varmista, että laite hävitetään paikallisen kierrätyskeskuksen kautta.

(Kuva 5)

Tekniset tiedot

Tekniset tiedot

	EU/CH		GB		AU/NZ		US
	WDC 220	WDC 325L	WDC 220	WDC 325L	WDC 220	WDC 325L	WDC 225
Jännite, V	220–240	220–240	220–240	220–240	220–240	220–240	110–120
Teho P _{IEC} , W	1 000	1 200	1 000	1 000	1 000	1 000	1 000
Laitevastakkeen yhdistetty kuorma, W	-	2 400 /1 100	-	1 900	-	1300	-
Taajuus, Hz	50/60				50–60		50/60
Sulake, A	10	16/10	13	13	10	10	15
Suojausluokka (kos-teus, pöly)	IPX4						
Suojausluokka (sähkö)	II (Kuva 4)	I	II (Kuva 4)	I	II (Kuva 4)	I	II (Kuva 4)
Ilmamäärän virtaus, l/min	3 600	3 700	3 600	3 600	3 600	3 600	3 200
Ilmamäärän virtaus, l/min	127	130	127	127	127	127	113
Tyhjiö, mbar	210	235	210	210	210	210	210
Äänenpainetaso (1 m), EN 60704-1, dB(A) +/- 2	72						
Tärinä (ISO 5349), m/s ² +/- 1	<1,5						
Paino, kg	7,5	8,5	7,5	8,5	7,5	8,5	7,5
Leveys, mm	377	376	377	376	377	376	377
Syvyys, mm	385	392	385	392	385	392	392
Korkeus, mm	506	533	506	530	506	530	550

EY-vaatimustenmukaisuusvakuutus

Husqvarna AB, SE-561 82 Huskvarna, Ruotsi, puh.:
+46-36-146500, vakuuttaa täten, että **-imuri Husqvarna
WDC 220, 3325L** on valmistettu noudattaen seuraavaa
NEUVOSTON DIREKTIIVIA:

- 17. toukokuuta 2006 annettu konedirektiivi
2006/42/EY
- 26. helmikuuta 2014 annettu direktiivi **2014/30/EU**
sähkömagneettisesta yhteensopivuudesta

Seuraavia standardeja on sovellettu:

**EN 60335-1:2012+A11:2014, EN 60335-2-69:2012, EN
55014-1:2006+A1:2009+A2:2011, EN 55014-2:2015,
EN 61000-3-2:2014, EN 61000-3-3:2013**

Yllä luetellut standardit ovat standardien uusimmat
julkaistut versiot, mikäli muuta ei ole ilmoitettu.

Huskvarna, 2018-08-01



Cornelia Ekbladh, tuotehallintapäällikkö

Sommaire

Introduction.....	124	Entretien.....	131
Sécurité.....	125	Transport, entreposage et mise au rebut.....	133
Montage.....	130	Caractéristiques techniques.....	134
Utilisation.....	130	Déclaration de conformité CE.....	135

Introduction

Description du produit

Ce produit est un aspirateur polyvalent conçu pour une utilisation commerciale.

Utilisation prévue

Utilisez le produit pour l'aspiration de poussière sèche et ininflammable et de liquides.

Présentation du produit WDC 220, WDC 225

(Fig. 1)

1. Interrupteur principal
2. Système de nettoyage de filtre
3. Arrivée d'air de l'aspirateur
4. Roues
5. Support de câble et de tuyau
6. Sac filtrant

Lisez et respectez les consignes de sécurité et les instructions de l'opérateur.

Seuls l'entretien et les réparations spécifiés par le fabricant peuvent être effectués sur le produit.

Le fabricant décline toute responsabilité en cas de dommage résultant d'une utilisation incorrecte, d'un entretien inadéquat ou de réparations inappropriées.

7. Buse
8. Poignée
9. Brosse pour le sol
10. Suceur pour joints
11. Manuel de l'opérateur
12. Tube de rallonge
13. Tuyau

Présentation du produit WDC 325L

(Fig. 2)

1. Interrupteur principal
2. Système de nettoyage de filtre
3. Arrivée d'air de l'aspirateur
4. Roues
5. Support de câble et de tuyau
6. Sac filtrant
7. Embout
8. Poignée
9. Brosse pour le sol
10. Suceur pour joints
11. Manuel de l'opérateur
12. Tube de rallonge
13. Tuyau
14. Adaptateur pour outil électrique
15. Branchement pour outil électrique
16. Boîte à outils

(Fig. 5) Ne jetez pas l'appareil dans les déchets ménagers. Vous devez toujours respecter les exigences locales.

(Fig. 6) Le produit est conforme aux directives CE en vigueur.

Remarque: Les autres symboles/autocollants présents sur le produit concernent des exigences de certification spécifiques à d'autres zones commerciales.

Classe de filtration L

(Fig. 7)

Respectez les consignes de sécurité et les mesures connexes pour la classe de filtration L.

Responsabilité

Conformément à la loi sur la responsabilité du fait des produits, nous déclinons toute responsabilité pour tout dommage causé par notre produit si :

- le produit n'est pas correctement réparé ;
- le produit est réparé avec des pièces qui ne proviennent pas du fabricant ou qui ne sont pas homologuées par le fabricant ;

Symboles concernant le produit

(Fig. 3) Lisez attentivement le manuel d'utilisation et assurez-vous de bien comprendre les instructions avant utilisation.

(Fig. 4) L'appareil possède une double isolation.

- le produit est équipé d'un accessoire qui ne provient pas du fabricant ou qui n'est pas homologué par le fabricant ;
- le produit n'est pas réparé par un centre d'entretien agréé ou par une autorité homologuée.

Sécurité

Définitions de sécurité

Des avertissements, des recommandations et des remarques sont utilisés pour souligner des parties spécialement importantes du manuel.



AVERTISSEMENT: Symbole utilisé en cas de risque de blessures ou de mort pour l'opérateur ou les personnes à proximité si les instructions du manuel ne sont pas respectées.



REMARQUE: Symbole utilisé en cas de risque de dommages pour le produit, d'autres matériaux ou les environs si les instructions du manuel ne sont pas respectées.

Remarque: Symbole utilisé pour donner des informations supplémentaires pour une situation donnée.

Instructions générales de sécurité



AVERTISSEMENT: Lisez les instructions qui suivent avant d'utiliser le produit.

- Si le produit et/ou un accessoire sont endommagés, ils doivent être réparés par un centre de service après-vente agréé. N'utilisez pas de produit endommagé.
- Ne laissez pas un enfant utiliser le produit. Ne laissez pas des personnes ne connaissant pas les instructions d'utilisation utiliser ou réparer le produit.
- Le produit ne doit pas être laissé sans surveillance pendant son fonctionnement.
- Assurez-vous de toujours surveiller une personne aux capacités physiques ou mentales réduites qui utilise le produit.
- Il convient de surveiller les enfants pour s'assurer qu'ils ne jouent pas avec le produit.
- N'effectuez pas de procédures de travail dangereuses.
- N'utilisez pas le produit si les filtres ne sont pas dans la position correcte.
- Arrêtez le produit et débranchez le cordon d'alimentation dans les situations suivantes :
 - Avant le nettoyage et l'entretien.
 - Avant la réparation.
 - En présence de mousse ou de substances liquides.
- Ne vous éloignez pas du produit lorsqu'il est branché. Débranchez le cordon d'alimentation quand le produit ne fonctionne pas et avant l'entretien.

- N'utilisez pas le produit si le cordon ou la fiche sont endommagés. Pour le débrancher, saisissez la fiche et pas le cordon. Ne manipulez pas la fiche ou le produit les mains mouillées. Éteignez toutes les commandes avant de débrancher l'appareil.
- Ne déplacez pas le produit en tirant sur le cordon. Ne vous servez pas du cordon comme d'une poignée. Ne coincez pas le cordon dans une porte et ne le frottez pas sur des coins ou des bords tranchants. Ne faites pas rouler le produit sur le cordon. Maintenez le cordon à l'écart de surfaces chaudes.
- Maintenez les cheveux, les vêtements amples, les doigts et toute autre partie du corps à l'écart des orifices et des pièces mobiles. N'insérez aucun objet à travers les orifices de l'appareil et ne l'utilisez pas si un orifice est obstrué. Nettoyez régulièrement les poussières, peluches, cheveux ou tout élément pouvant réduire le débit d'air.
- N'aspirez pas de poussière dangereuse avec WDC 220, WDC 225.
- N'aspirez jamais de substances inflammables ou de substances liquides inflammables comme l'essence. N'utilisez pas l'appareil dans des endroits où de tels produits peuvent se trouver.
- N'aspirez aucun objet brûlant ou incandescent, comme des cigarettes, des allumettes ou des cendres chaudes.
- Soyez vigilant lorsque vous utilisez l'appareil dans un escalier.
- Si de la mousse ou une substance liquide s'échappe du produit, arrêtez-le immédiatement.
- Le produit ne peut pas faire office de pompe à eau.
- Branchez le produit à une prise secteur correctement mise à la terre. La prise de courant et le câble de rallonge doivent disposer d'un conducteur de protection opérationnel (uniquement applicable aux produits sans double isolation).
- Assurez-vous qu'il y ait une bonne circulation d'air dans la zone de travail.
- Ne grimpez pas sur le produit.
- Lorsque des dispositifs d'évacuation de poussière

sont utilisés, le taux de renouvellement de l'air dans la pièce doit être adapté si l'air d'échappement de l'aspirateur est soufflé dans la pièce.

Vous devez toujours respecter les réglementations nationales avant d'utiliser le produit.

- Pour les produits de classe de filtration L, WDC 325L, formez et informez l'opérateur des points suivants avant utilisation :

- Comment utiliser le produit.
- Les risques liés aux substances à aspirer.
- L'élimination sûre des substances aspirées.

- Pour les produits de classe de filtration L, WDC 325L, les informations suivantes s'appliquent :

- Utilisez le produit pour aspirer de la poussière sèche et ininflammable, des liquides et de la poussière dangereuse avec une valeur OEL¹) > 1mg/m³. Classe de filtration L (IEC 60335-2-69). La poussière de cette classe a une valeur OEL¹) > 1mg/m³.
- Pour les aspirateurs de classe L, le matériau du filtre est testé. Le degré

maximum de perméabilité est de 1 %. Il n'y a pas de prescription particulière en termes d'élimination.

Remarque: Référez-vous à la législation locale. L'âge minimum de l'opérateur peut être régi par les législations locales.

Sécurité des produits à double isolation



AVERTISSEMENT: N'utilisez jamais l'appareil pour une fonction autre que celles qui sont indiquées dans ce mode d'emploi. Utilisez uniquement les accessoires recommandés par le fabricant.



AVERTISSEMENT: Uniquement pour le Royaume-Uni : Lisez ces instructions importantes. L'accent a été mis sur la sécurité et l'efficacité lors de la préparation de ces instructions. L'opérateur doit être formé par un instructeur agréé et doit comprendre ces instructions de fonctionnement. Au moment d'utiliser ce produit, l'opérateur doit avoir connaissance de toutes les réglementations connexes et la législation en vigueur.



AVERTISSEMENT: Avant de brancher le produit : Assurez-vous que la tension et la fréquence secteur de l'alimentation correspondent aux données indiquées sur la plaque signalétique de l'aspirateur sec/humide.



AVERTISSEMENT: Ce produit a une double isolation. Utilisez uniquement des pièces de rechange Husqvarna. Référez-vous aux instructions relatives à l'entretien des produits à double isolation.



AVERTISSEMENT: Le produit est équipé d'un cordon spécial. Si le cordon est endommagé, il doit être remplacé par un cordon de même type. Cette pièce est disponible auprès des centres de service après-vente ou détaillants agréés et elle doit être installée par du personnel agréé.



AVERTISSEMENT: Une bonne connaissance du système est nécessaire pour effectuer l'entretien des produits à double isolation. Sur les produits à double

isolation, deux systèmes d'isolation sont présents au lieu d'une mise à la terre. Aucune mise à la terre n'est présente sur les produits à double isolation et aucune mise à la terre ne doit être ajoutée. L'entretien ne peut être effectué que par du personnel d'entretien agréé. Les pièces de rechange pour les produits à double isolation doivent être identiques aux pièces qu'elles remplacent. Les produits à double isolation portent l'inscription "DOUBLE INSULATION" ou "DOUBLE INSULATED". Un symbole peut également être présent sur le produit.



AVERTISSEMENT: Choc électrique dû à un cordon d'alimentation abîmé. Le fait de toucher un cordon d'alimentation abîmé peut entraîner des blessures graves voire mortelles.

Sécurité électrique

- Il est recommandé de brancher l'aspirateur via un disjoncteur à courant résiduel.
- Les éléments électriques (fiches, prises et raccords) et la rallonge doivent être disposés de sorte à maintenir la classe de protection.
- Les connecteurs et raccords des cordons d'alimentation ainsi que les rallonges doivent être étanches.

Rallonge

- La rallonge utilisée doit répondre ou être supérieure aux spécifications imposées par le fabricant.
- Si une rallonge est utilisée, il faut vérifier la section transversale du câble :

Longueur du câble	Section transversale	
	< 16 A	< 25 A
< 20 m	1,5 mm ²	2,5 mm ²
20-50 m	2,5 mm ²	4,0 mm ²



AVERTISSEMENT: La partie supérieure de l'aspirateur contient des composants sous tension. Le contact avec des composants sous tension représente un risque de blessures graves, voire mortelles.

- Ne jamais pulvériser de l'eau sur la partie supérieure de l'aspirateur.



REMARQUE: La prise de l'appareil (uniquement sur certains modèles) est conçue uniquement aux fins définies dans les instructions d'utilisation. Le raccordement d'autres

appareils peut entraîner des dégâts.

- Avant de procéder au branchement d'un appareil, arrêtez toujours le produit et l'appareil qui doit être raccordé.
- Lisez les instructions d'utilisation de l'appareil devant être raccordé et respectez les consignes de sécurité indiquées.



REMARQUE: Dommages dus à une tension secteur inadaptée. L'appareil peut être endommagé s'il est branché à une tension secteur inadaptée.

- Assurez-vous que la tension et la fréquence secteur de l'alimentation correspondent aux données indiquées sur la plaque signalétique de l'aspirateur sec/humide.

Consignes de sécurité pour le fonctionnement

Pour aspirer des liquides



REMARQUE: N'aspirez pas de liquides inflammables.

- Retirez le sac filtrant avant de commencer à aspirer des liquides. Veillez à ce que le flotteur ou le limiteur de niveau d'eau fonctionne correctement.
- Utilisez un élément de filtre spécial ou un tamis filtrant spécial.

- Si de la mousse s'échappe du produit, arrêtez immédiatement de travailler et videz le réservoir.

Substances dangereuses



AVERTISSEMENT: N'aspirez pas de substances dangereuses. Cela peut entraîner des blessures.

- Les substances suivantes ne doivent pas être aspirées :
 - poussière dangereuse
 - substances chaudes, par exemple, des cigarettes allumées ou des cendres chaudes.
 - liquides inflammables, explosifs ou agressifs comme l'essence, les solvants, les acides et les alcalis.
 - poussière inflammable ou explosive comme la poussière de magnésium ou d'aluminium.

Pièces de rechange et accessoires



REMARQUE: Utilisez uniquement des pièces de rechange et accessoires pour assurer la sécurité du produit.

- Utilisez uniquement des pièces de rechange et accessoires Husqvarna.
- N'utilisez que les brosses fournies avec le produit ou mentionnées dans le manuel de l'opérateur.

Atmosphère explosive ou inflammable



REMARQUE: N'utilisez pas le produit dans une atmosphère explosive ou inflammable. N'utilisez pas le produit près de liquides, gaz ou vapeurs pouvant créer une atmosphère inflammable.

Fonction souffleur



AVERTISSEMENT: La poussière peut causer des problèmes de santé. Le produit a une fonction souffleur. Ne pas souffler l'air sortant de manière aléatoire dans des zones fermées. N'utilisez la fonction souffleur qu'avec un tuyau propre.

Consignes de sécurité pour l'entretien



AVERTISSEMENT: Lisez toutes les instructions qui suivent avant d'effectuer l'entretien du produit.

Pour vider le réservoir à saletés

l'environnement. Éliminez les saletés conformément aux réglementations légales.



REMARQUE: Les substances aspirées peuvent être dangereuses pour

Montage



AVERTISSEMENT: Assurez-vous de lire et de comprendre le chapitre dédié à la sécurité avant de monter l'appareil.

À effectuer avant l'installation

1. Déverrouillez les fermoirs et soulevez le bloc moteur. (Fig. 8)
2. Déposez les accessoires du réservoir à saletés. (Fig. 9)
3. Assurez-vous que toutes les pièces sont incluses. Voir la présentation du produit. Outils nécessaires : Tournevis.

Pour installer le sac filtrant

1. Mettez l'interrupteur principal en position "0".
2. Débranchez le produit. (Fig. 10)
3. Déverrouillez les fermoirs et soulevez le bloc moteur. (Fig. 8)
4. Placez le sac filtrant dans le réservoir à saletés.
5. Fixez la partie en carton du sac filtrant sur l'arrivée d'air de l'aspirateur. Assurez-vous que la membrane en caoutchouc passe au-delà du rehaussement de l'arrivée d'air de l'aspirateur. (Fig. 11)
6. Placez le bloc moteur sur le réservoir à saletés et verrouillez les fermoirs. (Fig. 12)

Pour fixer les accessoires

1. Mettez les accessoires dans leur position pour faciliter l'accès. (Fig. 13)
2. Fixez la boîte à outils à l'arrière du produit. (Fig. 14)
3. Fixez le support pour le câble et le tuyau à l'arrière du produit. (Fig. 15)

Pour installer le tuyau

1. Placez le tuyau dans l'arrivée d'air de l'aspirateur sur la face avant du produit. (Fig. 16)
2. Branchez l'appareil sur le secteur.
3. Mettez l'interrupteur principal en position "I". (Fig. 17)
4. Réglez la puissance d'aspiration sur la poignée ou par l'interrupteur principal*. *Uniquement sur certains modèles. (Fig. 18)

Pour installer le support du tube

1. Déplacez le support du tube verticalement sur le tube de rallonge.
2. Utilisez un tournevis pour installer le support du tube à la bonne hauteur sur le tube de rallonge. (Fig. 19)
3. Placez le tube de rallonge au niveau des supports à l'arrière du produit. (Fig. 20)

Utilisation

Introduction



AVERTISSEMENT: Avant d'utiliser le produit, vous devez lire et comprendre le chapitre sur la sécurité.

Pour démarrer le produit

Avant d'utiliser le produit, veillez à ce que la fréquence et la tension indiquées sur la plaque signalétique correspondent à la tension secteur locale.

1. Assurez-vous que l'interrupteur principal est en position "0". (Fig. 10)
2. Veillez à ce que des filtres de type adéquat soient correctement installés dans le produit.

3. Placez le tuyau dans l'arrivée d'air de l'aspirateur à l'avant du produit. Poussez le tuyau vers l'avant jusqu'à ce qu'il soit fermement installé en position dans l'arrivée d'air de l'aspirateur. (Fig. 16)
4. Raccordez les deux tubes de rallonge avec la poignée. Faites tourner les tubes de rallonge pour vous assurer qu'ils sont en bonne position.
5. Fixez un embout sur le tube de rallonge. Choisissez l'embout selon le type de matériau devant être aspiré.
6. Branchez la fiche sur le secteur.
7. Placez l'interrupteur principal en position "I" pour faire démarrer le produit. (Fig. 17)

Pour arrêter le produit

1. Placez l'interrupteur principal en position "0" pour arrêter le produit.

2. Débranchez la fiche du secteur. (Fig. 10)

Pour utiliser la fonction souffleur

1. Placez le tuyau dans l'orifice sur la face arrière du produit. (Fig. 21)
2. Branchez la fiche sur le secteur.
3. Mettez l'interrupteur principal en position "I". (Fig. 17)
4. Réglez la puissance du souffleur sur la poignée ou par l'interrupteur principal*. *Uniquement sur certains modèles. (Fig. 22)

Pour utiliser la prise pour outil électrique*

*Uniquement sur certains modèles.



REMARQUE: Suivez les instructions d'utilisation et les consignes de sécurité pour des appareils raccordés à la prise pour outil électrique.

Remarque: La consommation d'énergie maximum de l'outil raccordé est indiquée dans la section *Caractéristiques techniques à la page 134.*

1. Assurez-vous que l'interrupteur de l'outil électrique est en position "0". (Fig. 23)
2. Retirez la poignée du tuyau. Appuyez sur les loquets situés sur l'extrémité du tuyau (A) et tirez sur la poignée (B). (Fig. 24)
3. Raccordez l'adaptateur pour outil électrique. (Fig. 25)
4. Réglez la puissance d'aspiration sur l'adaptateur pour outil électrique ou avec l'interrupteur principal*. *Uniquement sur certains modèles. (Fig. 26)
5. Raccordez le tuyau à l'arrivée d'air de l'aspirateur du produit et à l'outil électrique. Branchez le câble de l'outil électrique à la connexion électrique du produit. (Fig. 27)

6. Assurez-vous que l'interrupteur de l'outil électrique est en position "0". (Fig. 23)
7. Mettez l'interrupteur principal du produit sur la position de l'outil électrique (A).
8. Mettez l'interrupteur de l'outil électrique sur "I" (B). (Fig. 28)

Remarque: Vous pouvez démarrer et arrêter le produit avec l'interrupteur principal sur le produit (A) ou l'interrupteur de l'outil électrique (B).

Pour l'aspiration de liquides

Remarque: Le produit dispose d'un système de flotteur qui arrête le débit d'air à travers le produit quand le niveau de liquide atteint son maximum.



REMARQUE: N'aspirez pas de liquide si le système de flotteur n'est pas en position.

1. Assurez-vous que le filtre et le tendeur de filtre (le système de flotteur) est en position, voir *Pour remplacer le filtre à la page 132.* Enlevez le sac filtrant si celui-ci est installé.
2. Utilisez la brosse de sol pour aspirer des liquides.
3. Quand le niveau de liquide atteint son maximum, le moteur émet un bruit différent. La puissance d'aspiration diminue.
4. Arrêtez le produit, voir *Pour arrêter le produit à la page 130.*
5. Videz le réservoir à saletés, voir *Pour vider le réservoir à saletés après l'aspiration de liquides à la page 132.*

Entretien

Introduction



AVERTISSEMENT: Avant d'effectuer des travaux d'entretien, vous devez lire et comprendre le chapitre sur la sécurité.

Une formation spécifique est nécessaire pour effectuer tous les travaux d'entretien et de réparation du produit. Nous garantissons qu'il vous est possible d'obtenir des services de réparation et d'entretien effectués par des professionnels. Si votre concessionnaire n'est pas un atelier spécialisé, demandez-lui des informations à propos de l'atelier spécialisé le plus proche.

Entretien et inspection réguliers

- Un entretien et une inspection réguliers du produit doivent être effectués par du personnel qualifié qui doit se référer aux lois et réglementations connexes.
- Des tests électriques de continuité de mise à la terre, de résistance d'isolation, et de l'état du cordon doivent être effectués fréquemment.
- Si un défaut est détecté, le produit **ne peut plus** être utilisé et doit être réparé par un technicien d'entretien agréé.

Entretien des produits de classe de filtration L

Les informations suivantes s'appliquent aux produits de classe L, WDC 325L.

- Lors de l'entretien et du nettoyage, le personnel d'entretien ou d'autres personnes doivent utiliser le produit avec précaution.
- Dans la zone d'entretien :
 - L'air circulant doit être filtré.
 - Utilisez des vêtements de protection.
 - Nettoyez la zone d'entretien pour qu'aucun matériau nuisible ne se répande dans d'autres zones.
- Si les pièces ne peuvent pas être nettoyées correctement lors de l'entretien et la réparation :
 - Placez les pièces dans des sacs hermétiquement clos.
 - Jetez les pièces conformément aux réglementations légales.

Pour vider le réservoir à saletés après l'aspiration de liquides

1. Arrêtez le produit, voir *Pour arrêter le produit à la page 130*.
2. Débranchez le tuyau de l'arrivée d'air de l'aspirateur en tirant sur le tuyau.
3. Déverrouillez les fermoirs et soulevez le bloc moteur. (Fig. 8)
4. Videz le réservoir en l'inclinant vers l'arrière et versez les liquides dans un siphon de sol. * Poignée uniquement sur certains modèles. (Fig. 29)



REMARQUE: Il convient de toujours vider et nettoyer le réservoir à saletés et le système de flotteurs après avoir aspiré des liquides. N'aspirez pas de liquides si le système de flotteurs ou le filtre ne sont pas installés dans le produit.

5. Placez le bloc moteur sur le réservoir à saletés et verrouillez les fermoirs. (Fig. 12)

Pour vider le réservoir à saletés après l'aspiration de substances sèches

1. Arrêtez le produit, voir *Pour arrêter le produit à la page 130*.
2. Déverrouillez les fermoirs et soulevez le bloc moteur. (Fig. 8)
3. Vérifiez si le sac filtrant est plein.
4. Enlevez le sac filtrant s'il est plein.



REMARQUE: N'aspirez pas de substances sèches si le filtre et le sac filtrant ne sont pas en position.

5. Installez un nouveau sac filtrant, voir *Pour installer le sac filtrant à la page 130*.

Remarque: La puissance d'aspiration du produit dépend de la dimension et de la qualité du filtre et du sac filtrant. Utilisez uniquement un filtre et des sacs filtrants Husqvarna.

6. Placez le bloc moteur sur le réservoir à saletés et verrouillez les fermoirs. (Fig. 12)

Pour nettoyer le filtre, système de nettoyage de filtre

Le produit est équipé d'un système de nettoyage de filtre semi-automatique. Utilisez le système de nettoyage de filtre régulièrement, au plus tard lorsque les performances de nettoyage ne sont plus satisfaisantes. Une utilisation régulière du système de nettoyage du filtre augmente la durée de vie du filtre.

1. Nettoyez le filtre lorsque la puissance d'aspiration n'est plus suffisante. (Fig. 30)
2. Placez le tuyau dans l'arrivée d'air de l'aspirateur sur la face avant du produit. (Fig. 16)
3. Branchez l'appareil sur le secteur.
4. Mettez l'interrupteur principal en position "I". (Fig. 17)
5. Placez la poignée contre votre main (A) pour ressentir la puissance d'aspiration.
6. Cognez trois fois sur le bouton de nettoyage de filtre avec votre poing (B). (Fig. 31)
7. Si la puissance d'aspiration n'est pas suffisante, voir *Pour remplacer le filtre à la page 132*.
8. Secouez, brossez ou lavez le filtre pour le nettoyer.
9. Laissez sécher le filtre.
10. Installez le filtre, voir *Pour installer le sac filtrant à la page 130*.

Pour nettoyer la partie extérieure du produit

1. Arrêtez le produit, voir *Pour arrêter le produit à la page 130*.
2. Nettoyez le produit avec un chiffon sec et une petite quantité de produit nettoyant en aérosol.

Pour remplacer le filtre

Le produit est conçu pour un usage intensif en continu. En fonction du nombre d'heures de fonctionnement, le filtre anti-poussière doit être remplacé.

1. Arrêtez le produit, voir *Pour arrêter le produit à la page 130*.

2. Déverrouillez les fermoirs et soulevez le bloc moteur. (Fig. 8)
 3. Faites tourner le tendeur de filtre (A) dans le sens inverse des aiguilles d'une montre et retirez-le. Retirez le filtre (B). (Fig. 32)
 4. Installez le nouveau filtre (A). Installez le tendeur de filtre (B) et faites le tourner dans le sens des aiguilles d'une montre. (Fig. 33)
 5. Assurez-vous que le filtre et le tendeur de filtre sont en position. (Fig. 34)
 6. Placez le bloc moteur sur le réservoir à saletés et verrouillez les fermoirs. (Fig. 12)
- Pour remplacer le sac filtrant**
1. Arrêtez le produit, voir *Pour arrêter le produit à la page 130.*
 2. Déverrouillez les fermoirs et soulevez le bloc moteur. (Fig. 8)
 3. Vérifiez si le sac filtrant est plein. Enlevez le sac filtrant s'il est plein.
 4. Tirez sur la partie en carton de l'ancien sac filtrant au niveau de l'arrivée d'air de l'aspirateur.
 5. Soulevez le sac filtrant (A) et jetez-le.
 6. Placez un nouveau sac filtrant dans le réservoir à saletés (B).
 7. Fixez la partie en carton du sac filtrant sur l'arrivée d'air de l'aspirateur (C). Assurez-vous que la membrane en caoutchouc passe au-delà du rehaussement de l'arrivée d'air de l'aspirateur. (Fig. 35)
 8. Placez le bloc moteur sur le réservoir à saletés et verrouillez les fermoirs. (Fig. 12)

Transport, entreposage et mise au rebut

Transport et stockage

- Après utilisation :
 - Débranchez la fiche du secteur lorsque vous n'utilisez pas le produit.
 - Enroulez le cordon en commençant par le produit.
 - Utilisez le support de câble pour fixer le cordon sur le bloc moteur.
 - Enroulez le tuyau.
 - Utilisez le support de tuyau pour fixer le tuyau sur le bloc moteur.
- Transport :
 - Fermez tous les fermoirs sur le bloc moteur.
 - N'inclinez pas le produit s'il y a du liquide dans le réservoir à saletés.
 - Ne pas utiliser un crochet de grue pour soulever le produit.
- Entreposage :
 - Conservez le produit dans un endroit sec et à l'abri du gel.

Pour recycler le produit

Procédez comme suit pour rendre le produit inutilisable.

1. Débranchez la fiche du secteur.
2. Coupez le cordon d'alimentation.
3. Ne jetez pas le produit dans les déchets ménagers.

Mise au rebut (conformément à la directive 2012/19/UE) :

Ne jetez pas cet appareil dans les déchets ménagers normaux. Il doit être évacué conformément aux réglementations environnementales locales en vigueur.

Apportez l'appareil au centre de recyclage le plus proche.

(Fig. 5)

Caractéristiques techniques

Caractéristiques techniques

	UE/Suisse		GB		AU/NZ		États-Unis
	WDC 220	WDC 325L	WDC 220	WDC 325L	WDC 220	WDC 325L	WDC 225
Tension, V	220-240	220-240	220-240	220-240	220-240	220-240	110-120
Puissance P_{rec} , W	1 000	1 200	1 000	1 000	1 000	1 000	1 000
Charge connectée pour la prise de l'appareil, W	-	2 400 /1100	-	1900	-	1 300	-
Fréquence, Hz	50/60				50-60		50/60
Fusion, A	10	16/10	13	13	10	10	15
Catégorie de protection (humidité, poussière)	IPX4						
Classe de protection (électrique)	II (Fig. 4)	I	II (Fig. 4)	I	II (Fig. 4)	I	II (Fig. 4)
Débit volumétrique d'air, l/min	3 600	3 700	3 600	3 600	3 600	3 600	3 200
Débit volumétrique d'air, pi^3/min	127	130	127	127	127	127	113
Vide, mbar	210	235	210	210	210	210	210
Niveau de pression acoustique à 1 m, EN 60704-1, dB(A) +/- 2	72						
Vibrations ISO 5349, m/s^2 +/- 1	<1,5						
Poids, kg	7,5	8,5	7,5	8,5	7,5	8,5	7,5
Largeur, mm	377	376	377	376	377	376	377
Profondeur, mm	385	392	385	392	385	392	392
Hauteur, mm	506	533	506	530	506	530	550

Déclaration de conformité CE

Déclaration de conformité CE

Nous, **Husqvarna AB**, SE-561 82 Huskvarna, Suède, tél. : +46-36-146500, déclarons que les **aspirateurs Husqvarna WDC 220, 3325L** sont conformes aux dispositions de la DIRECTIVE DU CONSEIL :

- du 17 mai 2006 « relative aux machines » **2006/42/CE**
- du 26 février 2014 « relative à la compatibilité électromagnétique » **2014/30/UE**

Les normes harmonisées suivantes ont été appliquées :

EN 60335-1:2012+A11:2014, EN 60335-2-69:2012, EN 55014-1:2006+A1:2009+A2:2011, EN 55014-2:2015, EN 61000-3-2:2014, EN 61000-3-3:2013

Sauf mention contraire, les normes listées ci-dessus sont les dernières versions publiées.

Huskvarna, 2018-08-01



Cornelia Ekbladh, Directeur de Gestion des Produits

Sadržaj

Uvod.....	136	Održavanje.....	143
Sigurnost.....	137	Prijevoz, spremanje i zbrinjavanje.....	144
Sastavljanje.....	141	Tehnički podaci.....	145
Rad.....	142	Izjava o sukladnosti EC.....	146

Uvod

Opis proizvoda

Ovaj je proizvod višenamjenski usisavač namijenjen za komercijalnu upotrebu.

Namjena

Ovim se proizvodom koristite za čišćenje suhe, nezapaljive prašine i tekućina.

Pregled proizvoda WDC 220, WDC 225

(Sl. 1)

1. Glavna sklopka
2. Sustav za čišćenje filtra
3. Ulaz usisavača
4. Kotači
5. Držač kabela, držač crijeva
6. Vrećica za filter

Pročitajte i poštujujte sigurnosne upute i upute za rukovatelja.

Vršite samo održavanje i popravke na ovom proizvodu koje je naveo proizvođač.

Proizvođač ne preuzima nikakvu odgovornost za oštećenja koja nastanu kao rezultat neispravne uporabe, neispravnog održavanja ili neispravnog popravka.

7. Mlaznica
8. Ručica
9. Mlaznica za podove
10. Mlaznica za procjepe
11. Korisnički priručnik
12. Produžna cijev
13. Crijevo

Pregled proizvoda WDC 325L

(Sl. 2)

1. Glavna sklopka
2. Sustav za čišćenje filtra
3. Ulaz usisavača
4. Kotači
5. Držač kabela, držač crijeva
6. Vrećica za filter
7. Mlaznica
8. Ručica
9. Mlaznica za podove
10. Mlaznica za procjepe
11. Korisnički priručnik
12. Produžna cijev
13. Crijevo
14. Adapter alata za napajanje
15. Električni priključak za alat za napajanje
16. Kutija s alatima

(Sl. 5) Ne odlažite ovu jedinicu u kućanski otpad. Poštujte lokalne zahtjeve.

(Sl. 6) Proizvod ispunjava primjenjive direktive EZ-a.

Napomena: Drugi simboli/naljepnice na proizvodu odnose se na zahtjeve za certifikaciju na drugim tržišnim područjima.

Razred prašine L

(Sl. 7)

Poštujte sigurnosne savjete i s njima povezane mjere za razred prašine L.

Pouzdanost proizvoda

Sukladno zakonima o pouzdanosti proizvoda nismo odgovorni za oštećenja uzrokovana našim proizvodima ako je:

- proizvod nepravilno popravljen
- proizvod popravljen dijelovima koje nije proizveo proizvođač ili nemaju odobrenje proizvođača
- proizvod ima dodatnu opremu koje nije proizveo proizvođač ili nemaju odobrenje proizvođača

Simboli na proizvodu

(Sl. 3) Pažljivo pročitajte korisnički priručnik i prije upotrebe dobro usvojite sadržaj.

(Sl. 4) Ova jedinica ima dvostruku izolaciju.

- proizvod nije popravljen u odobrenom servisnom centru ili kod ovlaštene osobe.

Sigurnost

Sigurnosne definicije

U pozorenjima, oprezima i napomenama naglašavaju se posebno važni dijelovi priručnika.



UPOZORENJE: Koristi se kada nepoštivanje uputa iz priručnika može uzrokovati smrt ili ozljede rukovatelja ili promatrača.



OPREZ: Koristi se kada nepoštivanje uputa iz priručnika može uzrokovati oštećenje proizvoda ili drugih materijala u neposrednoj blizini.

Napomena: Koristi se prikaz neophodnih dodatnih informacija za zadanu situaciju.

Opće sigurnosne upute



UPOZORENJE: Prije upotrebe proizvoda pročitajte upozoravajuće upute u nastavku.

- Ako su proizvod i/ili dodatna oprema oštećeni, mora ih popraviti ovlaštenu servisnu centar. Nemojte koristiti oštećen proizvod.
- Djeci nemojte dopustiti korištenje proizvoda. Osobama koje nisu upoznate s uputama ne dopuštajte da rukuju proizvodom ili da ga održavaju.
- Ovim se proizvodom smijete koristiti samo pod nadzorom.
- Osobu smanjenih fizičkih ili mentalnih sposobnosti obavezno nadzirite tijekom korištenja proizvoda.
- Djecu treba nadzirati kako se ne bi igrala s ovim proizvodom.
- Ne primjenjujte opasne radne postupke.
- Ne upotrebljavajte ovaj proizvod ako filtri nisu u ispravnom položaju.
- Zaustavite proizvod i izvucite mrežni utikač u sljedećim situacijama:
 - Prije čišćenja i održavanja.
 - Prije popravka.
 - Ako u tom području ima pjene ili tekućine.
- Ne udaljavajte se od proizvoda dok je priključen. Izvucite mrežni utikač kada proizvod ne radi te prije održavanja.
- Ne upotrebljavajte ovaj proizvod ako su oštećeni kabel ili utikač. Za izvlačenje utikača iz utičnice držite za utikač, ne za kabel. Ne držite utikač ili proizvod mokrim rukama. Prije izvlačenja utikača ponovno postavite sve komande.
- Proizvod ne povlačite za kabel. Kabelom se ne koristite kao ručkom. Ne zatvarajte vrata na kabelu niti ne povlačite kabel oko oštih

rubova ili kutaka. Proizvod ne vucite po kabelu. Držite kabel podalje od vrućih površina.

- Kosu, široku odjeću, prste i sve dijelove tijela držite podalje od otvora i pokretnih dijelova. U otvore ne stavljajte nikakve predmete i ne upotrebljavajte ako je otvor začepljen. Čistite otvore od prašine, mucica, dlaka i svega drugoga što može smanjiti protok zraka.
- Ne usisavajte opasnu prašinu naponom WDC 220, WDC 225.
- Ne usisavajte zapaljive tvari ili zapaljive tekućine, kao što je benzin. Ne upotrebljavajte ovaj proizvod u područjima gdje ima takvih tvari.
- Ne usisavajte ništa što gori ili se dimi, kao što su cigarete, žigice ili vrući pepeo.
- Budite oprezni pri usisavanju stepenica.
- Ako u proizvod prodru pjena ili tekućina, smjesta zaustavite proizvod.
- Proizvod nemojte upotrebljavati kao pumpu za vodu.
- Proizvod priključujte u ispravno uzemljenu mrežnu utičnicu. Utičnica i produžni kabel moraju imati

funkcionalan zaštitni vodič (primjenjuje se samo na proizvode bez dvostruke izolacije).

- Pobrinite se da u radnom području postoji dobar protok zraka.
- Ne koristite se ovim proizvodom kao ljestvama ili pomagalom za penjanje.
- Kada se upotrebljavaju proizvodi za uklanjanje prašine, brzina kojom se zrak razmjenjuje u sobi mora biti odgovarajuća ako se ispušni zrak iz usisivača ispuhuje u sobu. Prije uporabe poštujujte nacionalne propise.
- Za proizvode razreda prašine L, WDC 325L, uputite i obučite rukovatelja prije uporabe o sljedećem:
 - Kako se koristiti ovim proizvodom.
 - Opasnostima materijala koji se usisavaju.
 - Sigurnom odlaganju u otpad usisanog materijala.
- Za proizvode razreda prašine L, WDC 325L, primjenjuje se sljedeće:
 - Upotrebljavajte ovaj proizvod za čišćenje suhih, nezapaljivih prašine i tekućina, opasnih prašina

s vrijednošću OEL¹) > 1 mg/m³. Razred prašine L (IEC 60335-2-69). Prašina iz ovog razreda ima vrijednosti OEL¹) > 1 mg/m³.

- Proizvodi razreda prašine L imaju ispitani materijal filtra. Maksimalni stupanj propusnosti je 1 %.
- Nema posebnih zahtjeva o zbrinjavanju otpada.

centrima i kod ovlaštenih zastupnika i njih mora ugraditi odobreno osoblje.



UPOZORENJE: Za servisiranje proizvoda s dvostrukom izolacijom potrebno je poznavanje sustava. U proizvodima s dvostrukom izolacijom postoje dva sustava izolacije umjesto uzemljenja. Na proizvodima s dvostrukom izolacijom nema sredstva za uzemljenje niti ga treba dodavati na uređaj. Servis smije vršiti samo odobreno servisno osoblje. Rezervni dijelovi za proizvode s dvostrukom izolacijom moraju biti identični dijelovima koji se mijenjaju. Proizvod s dvostrukom izolacijom označen je riječima „DOUBLE INSULATION“ (Dvostruka izolacija) ili „DOUBLE INSULATED“ (Dvostruko izoliran). Simbol se može upotrebljavati i na proizvodu.

Napomena: Pročitajte lokalne zakone. Njima može biti određena dob korisnika.

Sigurnost za proizvode s dvostrukom izolacijom



UPOZORENJE: Koristite se ovim proizvodom samo na način opisan u ovom priručniku i samo s dodatnom opremom koju preporučuje proizvođač.



UPOZORENJE: Primjenjuje se samo u Ujedinjenom Kraljevstvu: **pročitajte ove važne upute.** Ove su upute pripremljene u cilju sigurnosti i učinkovitosti. Rukovatelj mora obučiti odobreni instruktor i on mora razumjeti ove upute za rad. Rukovatelj mora poznavati povezane propise i zakone na snazi u vrijeme rada.



UPOZORENJE: **Prije priključivanja proizvoda:** Provjerite da se mrežni napon i mrežna frekvencija napajanja podudaraju sa podacima na nazivnoj pločici usisivača za mokro/suho usisavanje.



UPOZORENJE: Ovaj proizvod ima dvostruku izolaciju. Upotrebljavajte samo rezervne dijelove tvrtke Husqvarna. Pogledajte upute o tomu kako servisirati proizvode s dvostrukom izolacijom.



UPOZORENJE: Ovaj proizvod ima poseban kabel. Ako je kabel oštećen, morate ga zamijeniti kabelom iste vrste. Ti su kabeli dostupni u odobrenim servisnim

Električna sigurnost

- Preporučuje se da se usisavač priključuje na strujno napajanje putem strujnog prekidača za rezidualnu struju.
- Posložite električne dijelove (utičnice, utikače i spojnice) i položite produžni kabel da biste očuvali razred zaštite.
- Priključci i spojnice kabela za strujno napajanje i produžnih kabela moraju biti vodonepropusni.

Produžni kabel

- Kao produžni kabel, upotrebljavajte samo verziju koju navodi proizvođač ili neku veće kvalitete.
- Pri uporabi produžnog kabela provjerite najmanji poprečni presjek kabela:

Duljina kabela	Poprečni presjek	
	< 16 A	< 25 A
na 20 m	1,5 mm ²	2,5 mm ²
20 – 50 m	2,5 mm ²	4,0 mm ²



UPOZORENJE: Gornji dio usisavača sadržava žive komponente. Doticaj s živim komponentama dovodi do teških ili čak smrtonosnih ozljeda.

- Nikad ne raspršujte vodu na gornji dio usisavača.



UPOZORENJE: Strujni udar zbog neispravnog spojnog kabela priključenog na mrežu. Dodirivanje neispravnog spojnog kabela priključenog na mrežu može dovesti do teških ili čak smrtonosnih ozljeda.

- Ne oštećujte kabel za mrežno napajanje (primjerice, vožnjom preko njega, povlačenjem ili prignječivanjem).
- Redovito provjeravajte je li strujni kabel oštećen ili pokazuje znakove starenja.
- Ako je strujni kabel oštećen, mora ga zamijeniti ovlaštenu zastupnik tvrtke Husqvarna ili na sličan način kvalificirana osoba radi izbjegavanja opasnosti.
- Ni u kojim okolnostima ne biste smjeli strujni kabel omotavati oko prstiju ili bilo kojeg dijela tijela rukovatelja.



OPREZ: Utičnica uređaja (samo na nekim modelima) namijenjena je samo u svrhe navedene u uputama za rad. Priključivanje različitih

uređaja može dovesti do oštećenja.

- Prije priključivanja uređaja uvijek zaustavite proizvod i uređaj koji treba priključiti.
- Pročitajte upute za rad uređaja koji treba priključiti i poštujujte sigurnosne napomene sadržane u njima.



OPREZ: Oštećenje zbog neprikladnog mrežnog napona. Uređaj se može oštetiti kao rezultat njegova priključivanja na neprikladni mrežni napon.

- Provjerite da se mrežni napon i mrežna frekvencija napajanja podudaraju sa podacima na nazivnoj pločici usisivača za mokro/suho usisavanje.

Sigurnosne upute za rad

Usisavanje tekućina



OPREZ: Ne usisavajte zapaljive tekućine.

- Prije početka usisavanja tekućina uklonite vrećicu filtra. Provjerite funkcioniraju li ispravno plovak ili funkcija ograničenja razine vode.
- Upotrijebite posebni element filtra ili sito filtra.
- Ako u proizvod prođe pjena, smjesta prestanite s radom i ispraznite spremnik.

Opasni materijali



UPOZORENJE: Ne usisavajte opasne materijale. Tako mogu nastati ozljede.

- Ne usisavajte sljedeće materijale:
 - opasnu prašinu
 - vruće materijale, primjerice zapaljene cigarete i vrući pepeo.
 - zapaljive, eksplozivne, agresivne tekućine, primjerice, benzin, otapala, kiseline i lužine.
 - zapaljivu, eksplozivnu prašinu, primjerice, prašinu magnezija ili aluminija.

Rezervni dijelovi i dodatna oprema



OPREZ: Upotrebjavajte samo rezervne dijelove i dodatnu opremu tvrtke radi sigurnosti proizvoda.

- Upotrebjavajte samo rezervne dijelove i dodatnu opremu tvrtke Husqvarna.
- Upotrebjavajte samo četke isporučene zajedno s ovim proizvodom ili opisane u korisničkom priručniku.

Eksplozivna ili zapaljiva atmosfera



OPREZ: Ne upotrebjavajte ovaj proizvod u eksplozivnim ili zapaljivim

atmosfera. Ne upotrebjavajte ovaj proizvod u blizini tekućina, plinova ili para koji mogu prouzročiti zapaljive atmosfere.

Funkcija ventilatora



UPOZORENJE: Prašina može izazvati zdravstvene probleme. Ovaj proizvod ima funkciju ventilatora. Ne ispuhujte izlazni zrak nasumce u zatvorenim prostorima. Upotrebjavajte funkciju ventilatora samo sa čistim crijevom.

Sigurnosne upute za održavanje



UPOZORENJE: Prije održavanja proizvoda pročitajte sve upozoravajuće upute u nastavku.

Pražnjenje spremnika za prljavštinu



OPREZ: Usisani materijal može biti opasan za okoliš. Prljavštinu odlažite u otpad u skladu s lokalnim propisima.

Sastavljanje



UPOZORENJE: Prije sklapanja proizvoda s razumijevanjem pročitajte poglavlje o sigurnosti.

Koraci prije instalacije

1. Otključajte spone pa podignite jedinicu motora. (Sl. 8)
2. Uklonite dodatnu opremu sa spremnika za prljavštinu. (Sl. 9)
3. Provjerite jesu li prisutni svi dijelovi. Pogledajte pregled proizvoda. Potrebni alati: Odvijač.

Ugradnja vrećice filtra

1. Postavite glavnu sklopku u položaj „0“.
2. Odspojite proizvod. (Sl. 10)
3. Otključajte spone pa podignite jedinicu motora. (Sl. 8)
4. Postavite vrećicu filtra u spremnik za prljavštinu.
5. Pričvrstite kartonski dio vrećice filtra na ulaz usisavača. Pobrinite se da gumena membrana prolazi mimo povišenja na ulazu usisavača. (Sl. 11)
6. Postavite jedinicu motora na spremnik za prljavštinu pa zaključajte spone. (Sl. 12)

Pričvršćivanje dodatne opreme

1. Postavite dodatnu opremu na ispravan položaj radi lakšeg pristupa. (Sl. 13)
2. Pričvrstite kutiju s alatom na stražnju stranu proizvoda. (Sl. 14)
3. Pričvrstite držač kabela i crijeva na stražnju stranu proizvoda. (Sl. 15)

Ugradnja crijeva

1. Postavite crijevo u ulaz usisavača s prednje strane proizvoda. (Sl. 16)
2. Priključite uređaj na mrežu.
3. Glavnu sklopku postavite u položaj „I“. (Sl. 17)
4. Podesite silu usisa na ručici ili glavnom sklopkom*.
*Samo na nekim modelima. (Sl. 18)

Ugradnja držača crijeva

1. Pomičite držač crijeva okomito po produžnoj cijevi.
2. Uz pomoć odvijača ugradite držač crijeva na ispravnoj visini produžne cijevi. (Sl. 19)
3. Parkirajte produžnu cijev na držače na stražnjoj strani proizvoda. (Sl. 20)

Uvod



UPOZORENJE: Prije rada s proizvodom morate pročitati i usvojiti poglavlje o sigurnosti.

Pokretanje proizvoda

Prije uporabe proizvoda pobrinite se da su frekvencija i napon prikazani na natpisnoj pločici isti kao i mrežni napon.

1. Pobrinite se da je glavna sklopka u položaju „0“. (Sl. 10)
2. Provjerite jesu li ispravni filtri na mjestu u proizvodu.
3. Postavite crijevo u ulaz usisavača s prednje strane proizvoda. Gurajte crijevo prema naprijed sve dok se čvrsto ne ugradi na mjesto u ulaz usisavača. (Sl. 16)
4. Spojite dvije produžne cijevi s ručicom. Zakrenite produžne cijevi da biste bili sigurni da su u ispravnom položaju.
5. Na produžnu cijev pričvrstite mlaznicu. Odaberite mlaznicu prema vrsti materijala koji treba usisavati.
6. Utaknite utikač u mrežnu utičnicu.
7. Za pokretanje proizvoda postavite glavnu sklopku u položaj „I“. (Sl. 17)

Zaustavljanje proizvoda

1. Za zaustavljanje proizvoda postavite glavnu sklopku u položaj „0“.
2. Izvucite utikač iz mrežne utičnice. (Sl. 10)

Uporaba funkcije ispuhivanja

1. Postavite crijevo u otvor na stražnjoj strani proizvoda. (Sl. 21)
2. Utaknite utikač u mrežnu utičnicu.
3. Glavnu sklopku postavite u položaj „I“. (Sl. 17)
4. Podesite silu ispuhivanja na ručici ili glavnom sklopkom*. *Samo na nekim modelima. (Sl. 22)

Uporaba utičnice alata za napajanje*

*Samo na nekim modelima.



OPREZ: Slijedite upute za rad i sigurnosne upute za uređaje priključene u utičnicu alata za napajanje.

Napomena: Maksimalna potrošnja snage priključenog alata navedena je u odjeljku *Tehnički podaci na stranici 145*.

1. Pobrinite se da je sklopka alata za napajanje u položaju „0“. (Sl. 23)
2. Odvojite ručicu od crijeva. Pritisnite male otvore na kraju crijeva (A) pa izvucite ručicu (B). (Sl. 24)
3. Priključite adapter alata za napajanje. (Sl. 25)
4. Podesite silu usisa na adapteru alata za napajanje ili glavnom sklopkom*. *Samo na nekim modelima. (Sl. 26)
5. Spojite crijevo s ulazom usisavača na proizvodu i alatu za napajanje. Spojite kabel alata za napajanje na električni priključak proizvoda. (Sl. 27)
6. Pobrinite se da je sklopka alata za napajanje u položaju „0“. (Sl. 23)
7. Okrenite glavnu sklopku na proizvodu u položaj alata za napajanje (A).
8. Sklopku alata za napajanje postavite u položaj „I“ (B). (Sl. 28)

Napomena: Možete pokrenuti i zaustaviti proizvod glavnom sklopkom na proizvodu (A) ili na alatu za napajanje (B).

Usisavanje tekućina

Napomena: Ovaj proizvod ima sustav s plovkom koji zaustavlja protok zraka kroz proizvod kada razina tekućine dosegne maksimalnu.



OPREZ: Ne usisavajte tekućine ako sustav s plovkom nije na mjestu.

1. Pobrinite se da su na mjestu filter i zatezač filtra (sustav s plovkom), pogledajte *Zamjena filtra na stranici 144*. Izvadite vrećicu filtra ako je umetnuta.
2. Za usisavanje tekućina upotrijebite mlaznicu za podove.
3. Kada je razina tekućine na maksimumu, čuje se zamjetna promjena zvuka motora. Smanjuje se sila usisa.
4. Zaustavite proizvod, pogledajte *Zaustavljanje proizvoda na stranici 142*.
5. Ispraznite spremnik za prljavštinu, pogledajte *Pražnjenje spremnika za prljavštinu nakon usisavanja tekućina na stranici 143*.

Održavanje

Uvod



UPOZORENJE: Prije održavanja morate pročitati i usvojiti poglavlje o sigurnosti.

Za sve radove servisiranja i održavanja na proizvodu potrebna je posebna obuka. Jamčimo dostupnost profesionalnih popravaka i servisa. Ako vaš distributer nije serviser, od njega zatražite informacije o najbližem serviseru.

Redoviti servis i pregled

- Redoviti servis i pregled proizvoda mora obaviti kvalificirano osoblje uvažavajući pripadajuće zakone i propise.
- Redovito treba provoditi električna ispitivanja kontinuiteta tla, otpora izolacije i stanja savitljivog kabela.
- Ako se pronađe kvar, proizvod se **mora** izuzeti iz servisa i mora ga popraviti odobreni servisni tehničar.

Održavanje proizvoda razreda prašine L

Sljedeće se primjenjuje na proizvode razreda prašine L, WDC 325L.

- Tijekom održavanja i čišćenja proizvodom se koristite na siguran način za osoblje zaduženo za održavanje ili druge osobe.
- U području za održavanje:
 - Upotrebljavajte obvezni protok filtriranog zraka.
 - Upotrebljavajte zaštitnu odjeću.
 - Očistite područje za održavanje da štetni materijali ne izlaze u druga područja.
- Ako tijekom održavanja i popravka ne možete zadovoljavajuće očistiti dijelove:
 - Stavite dijelove u hermetički zatvorene vrećice.
 - Dijelove odložite u otpad u skladu s lokalnim propisima.

Pražnjenje spremnika za prljavštinu nakon usisavanja tekućina

1. Zaustavite proizvod, pogledajte *Zaustavljanje proizvoda na stranici 142*.
2. Odvojite crijevo od ulaza usisavača povlačenjem crijeva.
3. Otključajte spone pa podignite jedinicu motora. (Sl. 8)

4. Ispraznite spremnik za prljavštinu naginjući ga unatrag, a tekućinu izlijte u podni odvod. * Ručica samo na nekim modelima. (Sl. 29)



OPREZ: Uvijek ispraznite i očistite spremnik za prljavštinu i sustav s plovkom nakon usisavanja tekućine. Ne usisavajte tekućinu ako u proizvod nisu ugrađeni sustav s plovkom i filter.

5. Postavite jedinicu motora na spremnik za prljavštinu pa zaključajte spone. (Sl. 12)

Pražnjenje spremnika za prljavštinu nakon usisavanja suhih tvari

1. Zaustavite proizvod, pogledajte *Zaustavljanje proizvoda na stranici 142*.
2. Otključajte spone pa podignite jedinicu motora. (Sl. 8)
3. Provjerite je li vrećica filtra puna.
4. Ako je vrećica filtra puna, izvadite je.



OPREZ: Ne usisavajte suhe tvari ako filter i vrećica filtra nisu na mjestu.

5. Umetnite novu vrećicu filtra, pogledajte *Ugradnja vrećice filtra na stranici 141*.

Napomena: Učinkovitost usisa proizvoda ovisi o dimenzijama i kvaliteti filtra i vrećice filtra. Upotrebljavajte samo filtre i vrećice za filter tvrtke Husqvarna.

6. Postavite jedinicu motora na spremnik za prljavštinu pa zaključajte spone. (Sl. 12)

Čišćenje filtra, sustav za čišćenje filtra

Ovaj proizvod ima poluautomatski sustav za čišćenje filtra. Redovito upotrebljavajte sustav za čišćenje filtra, najkasnije kada učinkovitost usisavanja više nije dostatna. Redovita uporaba sustava za čišćenje filtra produljuje životni vijek filtra.

1. Očistite filter kada sila usisa više nije dostatna. (Sl. 30)
2. Postavite crijevo u ulaz usisavača s prednje strane proizvoda. (Sl. 16)
3. Priključite uređaj na mrežu.
4. Glavnu sklopku postavite u položaj „I“. (Sl. 17)
5. Uzmite ručicu u ruku (A) da biste isprobali usis na svojoj ruci.
6. Šakom udarite gumb za čišćenje filtra 3 puta (B). (Sl. 31)

7. Ako sila usisa nije dostatna, izvadite filtra, pogledajte *Zamjena filtra na stranici 144*.
8. Za čišćenje protresite, očetkajte ili operite filter.
9. Pustite da se filter osuši.
10. Umetnite filter, pogledajte *Ugradnja vrećice filtra na stranici 141*.

Vanjsko čišćenje proizvoda

1. Zaustavite proizvod, pogledajte *Zaustavljanje proizvoda na stranici 142*.
2. Očistite proizvod suhom krpom i malom količinom sredstva za laštenje u raspršivaču.

Zamjena filtra

Ovaj je proizvod namijenjen neprestanim teškim poslovima. Ovisno o broju sati rada, treba zamijeniti filter za prašinu.

1. Zaustavite proizvod, pogledajte *Zaustavljanje proizvoda na stranici 142*.
2. Otključajte spone pa podignite jedinicu motora. (Sl. 8)
3. Okrenite zatezač filtra (A) u smjeru suprotnom od smjera kretanja kazaljke na satu pa ga izvucite. Izvucite filter (B). (Sl. 32)
4. Umetnite novi filter (A). Umetnite i zatezač filtra (B) pa ga okrenite u smjeru kretanja kazaljke na satu. (Sl. 33)

5. Provjerite da su filter i zatezač filtra na mjestu. (Sl. 34)
6. Postavite jedinicu motora na spremnik za prljavštinu pa zaključajte spone. (Sl. 12)

Zamjena vrećice filtra

1. Zaustavite proizvod, pogledajte *Zaustavljanje proizvoda na stranici 142*.
2. Otključajte spone pa podignite jedinicu motora. (Sl. 8)
3. Provjerite je li vrećica filtra puna. Ako je vrećica filtra puna, izvadite je.
4. Izvucite kartonski dio stare vrećice filtra s ulazu usisavača.
5. Izvadite vrećicu filtra (A) i odložite je u otpad.
6. Umetnite novu vrećicu filtra u spremnik za prljavštinu (B).
7. Pričvrstite kartonski dio vrećice filtra na ulaz usisavača (C). Pobrinite se da gumena membrana prolazi mimo povišenja na ulazu usisavača. (Sl. 35)
8. Postavite jedinicu motora na spremnik za prljavštinu pa zaključajte spone. (Sl. 12)

Prijevoz, spremanje i zbrinjavanje

Prijevoz i skladištenje

- Nakon uporabe:
 - Izvucite utikač iz mrežne utičnice kada proizvod ne radi.
 - Namotajte kabel počevši od proizvoda.
 - Upotrijebite držač kabela za pričvršćivanje kabela na jedinicu motora.
 - Namotajte crijevo.
 - Upotrijebite držač crijeva za pričvršćivanje crijeva na jedinicu motora.
- Prijevoz:
 - Zatvorite sve spone na jedinici motora.
 - Ne naginjite proizvod ako u spremniku za prljavštinu ima tekućine.
 - Za podizanje proizvoda ne upotrebljavajte kuku dizalice.
- Skladištenje:
 - Proizvod skladištite u suhom prostoru bez mraza.

2. Prezerite strujni kabel.
3. Proizvod ne odlažite s uobičajenim kućanskim otpadom.

Zbrinjavanje (u skladu s 2012/19/EC):

Proizvod ne smijete dodati uobičajenom kućanskom otpadu. Morate ga zbrinuti u skladu s lokalnim zakonima za zaštitu okoliša.

Proizvod obavezno zbrinite uz pomoć ili putem zbirnog centra komunalne tvrtke.

(Sl. 5)

Reciklaža proizvoda

Slijedite ove korake da proizvod učinite neupotrebljivim.

1. Izvucite utikač iz mrežne utičnice.

Tehnički podaci

Tehnički podaci

	EU/CH		HR		AU/NZ		SAD
	WDC 220	WDC 325L	WDC 220	WDC 325L	WDC 220	WDC 325L	WDC 225
Napon, V	220 – 240	220 – 240	220 – 240	220 – 240	220 – 240	220 – 240	110 – 120
Snaga P _{iec} , W	1000	1200	1000	1000	1000	1000	1000
Priključeno opterećenje za utičnicu uređaja, W	–	2400 /1100	–	1900	–	1300	–
Frekvencija, Hz	50 / 60				50 – 60		50 / 60
Osigurač, A	10	16 / 10	13	13	10	10	15
Kategorija zaštite (vla- ga, prašina)	IPX4						
Razred zaštite (električ- ni)	II (SI. 4)	I	II (SI. 4)	I	II (SI. 4)	I	II (SI. 4)
Volumen protoka zraka, l/min	3600	3700	3600	3600	3600	3600	3200
Volumen protoka zraka, kubična stopa u minuti	127	130	127	127	127	127	113
Vakuum, mbar	210	235	210	210	210	210	210
Razina zvučnog tlaka na 1 m, EN 60704-1, dB(A) +/- 2	72						
Vibracije prema ISO 5349, m/s ² +/- 1	<1,5						
Težina, kg	7,5	8,5	7,5	8,5	7,5	8,5	7,5
Širina, mm	377	376	377	376	377	376	377
Dubina, mm	385	392	385	392	385	392	392
Visina, mm	506	533	506	530	506	530	550

Izjava o sukladnosti EC

Izjava o sukladnosti EZ

Husqvarna AB, SE-561 82 Huskvarna, Švedska, tel:
+46-36-146500, potvrđuje da je **usisavač Husqvarna**
WDC 220, 3325L sukladan zahtjevima DIREKTIVE
VIJEĆA:

- od 17. svibnja 2006. „o strojevima“ **2006/42/EZ**
- od 26. veljače 2014. „o elektromagnetskoj
kompatibilnosti“ **2014/30/EU**

Primijenjeni su sljedeći standardi:

EN 60335-1:2012+A11:2014, EN 60335-2-69:2012, EN
55014-1:2006+A1:2009+A2:2011, EN 55014-2:2015,
EN 61000-3-2:2014, EN 61000-3-3:2013

Osim ako nije navedeno drugačije, prethodno navedeni
standardi su posljednje objavljene verzije.

Huskvarna, 2018-08-01



Cornelia Ekbladh, Direktorica upravljanja proizvodima

TARTALOMJEGYZÉK

Bevezető.....	147	Karbantartás.....	154
Biztonság.....	148	Szállítás, tárolás és ártalmatlanítás.....	156
Összeszerelés.....	153	Műszaki adatok.....	157
Üzemeltetés.....	153	EK megfeleléségi nyilatkozat.....	158

Bevezető

Termékleírás

Ez a termék egy többfunkciós porszívó, amely kereskedelmi használatra készült.

Rendeltetésszerű használat

A termék száraz, nem gyúlékony por és folyadékok tisztítására szolgál.

A WDC 220, WDC 225 áttekintése

(ábra 1)

1. Főkapcsoló
2. Szűrős tisztítórendszer
3. Szívónyílás
4. Kerekek
5. Kábeltartó, csőtartó
6. Szűrőzsák

Olvassa el és tartsa be a biztonsági utasításokat és a kezelői utasításokat.

Kizárólag a gyártó által meghatározott karbantartási és javítási munkálatokat végezzen el a terméken.

A gyártó nem vállal felelősséget a helytelen használatból, helytelen karbantartásból és helytelen javításból eredő károsodásokért.

7. Fúvócső
8. Fogantyú
9. Padlószívó fej
10. Repedéstakarító fej
11. Kezelői kézikönyv
12. Hosszabbító cső
13. Tömlő

A WDC 325L áttekintése

(ábra 2)

1. Főkapcsoló
2. Szűrős tisztítórendszer
3. Szívónyílás
4. Kerekek
5. Kábeltartó, csőtartó
6. Szűrőzsák
7. Fúvócső
8. Fogantyú
9. Padlószívó fej
10. Repedéstakarító fej
11. Kezelői kézikönyv
12. Hosszabbító cső
13. Tömlő
14. Szerszámgépadapter
15. Elektromos csatlakozás szerszámgéphez
16. Szerszámcsomagdoboz

(ábra 4) A készülék kettős szigeteléssel van ellátva.

(ábra 5) A készüléket tilos háztartási hulladék közé dobni. Tartsa be a helyi előírásokat.

(ábra 6) Ez a termék megfelel a vonatkozó EK-irányelveknek.

Megjegyzés: A terméken szereplő többi jelölés/címke a további piacok specifikus vizsgáztatási követelményeire vonatkozik.

L porosztály

(ábra 7)

Tartsa be az L porosztályra vonatkozó biztonsági útmutatást és a kapcsolódó intézkedéseket.

Termékszavatosság

A termékszavatosságra vonatkozó jogszabályok értelmében nem vagyunk felelősek a termékeink által okozott károkért az alábbi esetekben:

- a termék javítását helytelenül végezték;
- a termék javítása nem a gyártótól származó vagy általa jóváhagyott alkatrészekkel történt;

- a terméket nem a gyártótól származó vagy általa jóváhagyott kiegészítővel szerelték fel;
- a termék javítását nem hivatalos szakszerviz vagy jóváhagyott egyéb szerviz végezte.

Biztonság

Biztonsági meghatározások

A figyelmeztetések, óvintézkedések és megjegyzések a használati utasítás kiemelten fontos részeire hívják fel a figyelmet.



FIGYELMEZTETÉS: Akkor használatos, ha a kézikönyv utasításainak be nem tartása esetén fennáll a kezelő vagy a közelben tartózkodók sérülésének vagy halálának veszélye.



VIGYÁZAT: Akkor használatos, ha a kézikönyv utasításainak be nem tartása esetén fennáll a vagyoni kár, illetve a termék vagy a környező terület károsodásának veszélye.

Megjegyzés: További információt biztosít az adott helyzetben szükséges tennivalókról.

Általános biztonsági utasítások



FIGYELMEZTETÉS: A termék használata előtt olvassa el az alábbi figyelmeztetéseket.

- Ha a termék és/vagy egy kiegészítő károsodott, akkor egy jóváhagyott szervizközpontnak kell elvégeznie a javítását. Ne használjon sérült terméket.
- A terméket gyermekek nem használhatják. Ne engedélyezze a termék használatát vagy karbantartását olyan személy számára, aki nem ismeri a használati utasítás tartalmát.
- A termék kizárólag felügyelet mellett üzemeltethető.
- Csökkent fizikai vagy szellemi képességekkel rendelkező személy csak felügyelet mellett használhatja a terméket.
- A gyermekeket szem előtt kell tartani annak biztosítása érdekében, hogy ne játsszanak a termékkel.
- Ne alkalmazzon veszélyes munkaeljárásokat.
- Ne használja a terméket, ha a szűrők nincsenek a megfelelő helyzetben.
- A következő helyzetekben állítsa le a terméket, és válassza le a hálózati csatlakozót:
 - Tisztítás és karbantartás előtt.
 - Javítás előtt.
 - Ha az adott területen hab vagy folyadékok találhatók.
- Ne hagyja magára a terméket, ha csatlakoztatva van. A termék használaton kívüli állapotában és karbantartás előtt válassza le a hálózati csatlakozót.
- Ne használja a terméket, ha a vezeték vagy a dugó sérült. A leválasztáshoz a dugaszt

- húzza, ne a kábelt. Ne érjen a termék dugójához nedves kézzel. A leválasztás előtt minden vezérlőelemet állítson alapállapotba.
- Ne húzza a terméket a vezetékénél fogva. Ne használja fogantyúként a vezetéket. Ne csukjon rá ajtót a vezetékre, illetve ne húzza éles szélek vagy sarkok körül a vezetéket. Ne vezesse át a terméket a vezetékén. Tartsa a vezetéket forró felületektől távol.
 - Tartsa távol a haját, ruházatát, ujjait és egyéb testrészeit a nyílásoktól és a mozgó alkatrészekről. Ne helyezzen tárgyakat a nyílásokba, és ne használja terméket blokkolt nyílással. Tartsa a nyílásokat portól, szöszöktől, hajtól és egyéb, a légáramlást csökkentő anyagoktól mentesen.
 - Ne porszívózzon veszélyes port a WDC 220, WDC 225 készülékkel.
 - Ne porszívózzon gyúlékony port és gyúlékony folyadékokat, pl. benzint a termékkel. Ne használja a terméket olyan területeken, ahol ilyen anyagok lehetnek jelen.
 - Ne porszívózzon fel égő, füstölő dolgokat, például cigarettát, gyufát vagy forró hamut.
 - Lépcsőkön végzett tisztítás során körültekintően járjon el.
 - Ha a termékből hab vagy folyadék távozik, azonnal állítsa le a terméket.
 - Ne használja vízszivattyúként a terméket.
 - A terméket megfelelően földelt fali aljzathoz csatlakoztassa. A hálózati aljzatnak és a hosszabbító kábelnek működőképes védővezetővel ellátottnak kell lennie (kizárólag a kettős szigeteléssel nem ellátott termékekre vonatkozik).
 - Ügyeljen arra, hogy biztosított legyen a munkavégzési terület megfelelő légáramlása.
 - Ne használja a terméket létraként vagy fellépőként.
 - Poreltávolító használata esetén a helyiség levegőcseréjének mértéke akkor megfelelő, ha a porszívóból a levegő az adott helyiségbe távozik. A használat előtt a nemzeti jogszabályoknak megfelelően járjon el.
 - L porosztályú termékek, a WDC 325L esetében

a használat előtt biztosítani kell a kezelő megfelelő tájékoztatását és képzését az alábbiakkal kapcsolatban:

- A termék használatának módja.
- A felszívandó anyaggal kapcsolatos kockázatok.
- A felszívott anyagok biztonságos ártalmatlanítása.
- L porosztályú termékek, a WDC 325L esetében a következők érvényesek:
 - A termék száraz, nem gyúlékony por és folyadékok, valamint > 1mg/m³ OEL¹⁾ értékű anyagok felszívására használható. L porosztály (IEC 60335-2-69). Az ebbe az osztályba sorolt por OEL¹⁾ értéke > 1mg/m³.
 - Az L porosztályú termékek tesztelésnek alávetett szűrőanyaggal vannak ellátva. A vízáteresztés maximális foka 1%. Az ártalmatlanításra vonatkozóan nincsenek érvényben különleges előírások.

Megjegyzés: Tartsa be a helyi törvényeket. Ezek előírhatják a kezelő korát.

Kettős szigeteléssel ellátott termékekre vonatkozó biztonsági utasítások



FIGYELMEZTETÉS: A terméket kizárólag a jelen kézikönyvben foglaltaknak megfelelően használja, kizárólag a gyártó által javasolt kiegészítőkkel együtt.



FIGYELMEZTETÉS: Kizárólag az Egyesül Királyságra vonatkozóan: Olvassa el ezeket a fontos utasításokat. Ezen utasítások összeállítása a biztonságot és a hatékonyságot maximálisan szem előtt tartva történt. A kezelőnek egy jóváhagyott oktató általi képzésben kell részesülnie, és meg kell értenie a kezelési utasításokat. A kezelőnek minden, a működtetés idején érvényben lévő kapcsolódó szabályozást és jogszabályt ismernie kell.



FIGYELMEZTETÉS: A termék csatlakoztatása előtt: Ügyeljen rá, hogy a tápegység hálózati feszültsége és hálózati frekvenciája megegyezzen a száraz/nedves porszívó típusabláján található adatokkal.



FIGYELMEZTETÉS: A termék kettős szigeteléssel van ellátva. Kizárólag Husqvarna cserealkatrészeket használjon. A kettős szigetelésű termékek szervizelésével kapcsolatban tekintse át az utasításokat.



FIGYELMEZTETÉS: A termék különleges vezetékkel van ellátva. Ha a vezeték sérült, akkor ugyanolyan típusú vezetékre kell lecserélni. Ez a jóváhagyott szakszervizekben és kapható, és jóváhagyott személyzetnek kell beszerelnie.



FIGYELMEZTETÉS: A kettős szigeteléssel ellátott termékek szervizeléséhez a rendszer ismeretére van szükség. Kettős szigetelésű termékek esetében földelés helyett két szigetelőrendszert tartalmaz a termék. A kettős szigetelésű termékek esetében nincsen biztosítva földelési mód, és nem is szabad földelési módot hozzáadni a készülékhez. Szervizelést kizárólag jóváhagyott szervizszemélyzet végezhet. A kettős szigeteléssel ellátott termékek cserealkatrészeinek azonosaknak kell lenniük a lecserélt alkatrészekkel. A kettős szigeteléssel ellátott termékeken „DOUBLE

INSULATION" (kettős szigetelés) vagy „DOUBLE INSULATED" (kettős szigetelésű) felirat szerepel. Szimbólum is szerepelhet a terméken.

akár halálos sérüléseket okozhat.

Elektromos biztonság

- A porszívót javasolt áramkör-megszakítóval védett elektromos hálózathoz csatlakoztatni.
- Rendezze el az elektromos alkatrészeket (aljzatokat, dugaszokat és csatlakozókat), és úgy helyezze el a hosszabbító vezetékét, hogy a védelmi osztály megmaradjon.
- A tápforráskábelek csatlakozóinak és a hosszabbító vezetékének vízzáróknak kell lenniük.

Hosszabbító vezeték

- Hosszabbító vezetéként kizárólag a gyártó által meghatározott vagy annál jobb minőségű változatot használjon.
- Hosszabbító vezeték használata esetén ellenőrizze a kábel minimális keresztmetszetét:

Kábel hossza	Keresztmetszet	
	< 16 A	< 25 A
< 20 m	1,5 mm ²	2,5 mm ²
20-50 m	2,5 mm ²	4,0 mm ²



FIGYELMEZTETÉS:

A porszívó felső része feszültség alatt álló összetevőket tartalmaz. A feszültség alatt álló összetevők megérintése súlyos vagy akár halálos sérüléseket okozhat.

- Soha ne permetezzen vizet a porszívó felső részére.



FIGYELMEZTETÉS: Hibás hálózati csatlakozóból eredő áramütés. A hibás hálózati csatlakozó megérintése súlyos vagy

- Ne tegyen kárt a hálózati vezetékben (például úgy, hogy átvezeti rajta a készüléket, vagy meghúzza vagy összezúzza).
- Rendszeresen ellenőrizze, hogy a hálózati vezeték nem károsodott-e, vagy nem mutatja-e öregedés jeleit.
- A veszély elkerülése érdekében a megsérült tápkábelt egy jóváhagyott Husqvarna forgalmazónak vagy hasonló, megfelelően képzett személynek kell kicserélnie.
- A tápkábelt semmilyen körülmények között nem szabad ujjak köré vagy a kezelő testének bármely része köré csavarni.



VIGYÁZAT:

A készülékaljzat (csak bizonyos típusok esetében) kizárólag a működtetési utasításokban meghatározott célokra szolgál. Az eltérő készülékek csatlakozása károsodáshoz vezethet.

- Készülék csatlakoztatása előtt mindig állítsa le a terméket és a csatlakoztatni kívánt készüléket.
- Olvassa el a csatlakoztatni kívánt készülék működtetési utasításait, és tartsa szem előtt a bennük foglalt biztonsági megjegyzéseket.



VIGYÁZAT: Nem megfelelő hálózati feszültség miatti károsodás. A készülék károsodásához vezethet, ha nem megfelelő hálózati feszültséghez csatlakoztatják.

- Ügyeljen rá, hogy a tápegység hálózati feszültsége és hálózati frekvenciája megegyezzen a száraz/nedves porszívó típus tábláján található adatokkal.

Biztonsági utasítások az üzemeltetéshez

Folyadék felszívása



VIGYÁZAT: Ne szívjon fel a termékkel gyúlékony folyadékokat.

- Folyadék felszívása előtt távolítsa el a szűrőzsákot. Ellenőrizze, hogy megfelelően működik-e az úszó vagy a vízszintkorlátozó funkció.
- Válasszon ki egy speciális szűrőbetétet vagy szűrőrácsot.
- Ha a termékből hab távozik, azonnal függesse fel a munkát, és ürítse ki a tartályt.

Veszélyes anyagok



FIGYELMEZTETÉS: Ne szívjon fel veszélyes anyagokat a termékkel. Ez sérüléseket okozhat.

- Ne szívja fel a következő anyagokat a termékkel:
 - veszélyes por,
 - forró anyagok, például égő cigaretták és forró hamu,
 - gyúlékony, robbanékony, agresszív folyadékok, például benzin, oldószerek, savak és lúgok,
 - gyúlékony, robbanékony por, például magnézium- vagy alumíniumpor.

Alkatrészek és kiegészítők



VIGYÁZAT: A termék biztonsága érdekében kizárólag pótalkatrészeket és kiegészítőket használjon.

- Kizárólag a Husqvarna által gyártott pótalkatrészeket és kiegészítőket használjon.
- Kizárólag a termékhez mellékelte vagy a kezelői kézikönyvben említett keféket használja.

Robbanékony vagy gyúlékony környezet



VIGYÁZAT: Ne használja a terméket robbanékony vagy gyúlékony környezetben. Ne használja a terméket olyan folyadékok, gáz vagy gőz közelében, amelyek gyúlékony környezetet hozhatnak létre.

Fűvókészülék funkció



FIGYELMEZTETÉS: A por egészségügyi problémákat okozhat. A termék fűvókészülék funkcióval is el van látva. Ne fújja a távozó levegőt véletlenül zárt terekbe. A fűvókészülék funkció kizárólag tiszta tömlővel használható.

Biztonsági utasítások a karbantartáshoz



FIGYELMEZTETÉS: A terméken végzett karbantartási műveletek előtt az összes figyelmeztetést olvassa el.

A portartály ürítése



VIGYÁZAT: A felszívott anyag veszélyes lehet a környezetre. A felszívott anyagokat a jogi szabályozásoknak megfelelően ártalmatlanítsa.

Összeszerelés



FIGYELMEZTETÉS: Figyelmesen olvassa el a biztonságról szóló fejezetet, mielőtt összeállítaná a terméket.

Telepítés előtti teendők

1. Oldja ki a féket, és emelje fel a motoregységet. (ábra 8)
2. Távolítsa el a kiegészítőket a portartályból. (ábra 9)
3. Ellenőrizze, hogy az összes alkatrész mellékelve van-e. Tekintse meg a termék áttekintését. Szükséges eszközök: Csavarhúzó.

A szűrőzsák beszerelése

1. Állítsa a főkapcsolót „0” helyzetbe.
2. Válassza le a terméket. (ábra 10)
3. Oldja ki a féket, és emelje fel a motoregységet. (ábra 8)
4. Helyezze be a szűrőzsákot a portartályba.
5. Csatlakoztassa a szűrőzsák kartonból készült részét a szívónyílásra. Ügyeljen arra, hogy a gumimembrán a szívónyílás kiemelkedő részén túlra kerüljön. (ábra 11)
6. Helyezze a motoregységet a portartályra, és rögzítse a fékeket. (ábra 12)

A kiegészítők felszerelése

1. Helyezze el a kiegészítőket a helyükön a könnyű hozzáférés érdekében. (ábra 13)
2. Csatlakoztassa a szerszámodobozt a termék hátuljához. (ábra 14)
3. Csatlakoztassa a kábel és a tömlő tartóját a termék hátuljára. (ábra 15)

A tömlő csatlakoztatása

1. Helyezze a tömlőt a termék elején található szívónyílásba. (ábra 16)
2. Csatlakoztassa a készüléket a hálózati aljzathoz.
3. Állítsa a főkapcsolót „I” helyzetbe. (ábra 17)
4. Állítsa be a szívóerőt a fogantyún vagy a főkapcsoló segítségével. *Csak bizonyos típusok esetében. (ábra 18)

A csőtartó felszerelése

1. Mozgassa a csőtartót függőlegesen a hosszabbító csövön.
2. Csavarhúzó használatával szerelje fel a csőtartót a hosszabbító cső megfelelő magasságában. (ábra 19)
3. Rögzítse a hosszabbító csövet a tartóknál a termék hátulján. (ábra 20)

Üzemeltetés

Bevezető



FIGYELMEZTETÉS: A termék működtetése előtt el kell olvasnia és meg kell értenie a biztonságról szóló fejezetet.

A termék elindítása

A termék használata előtt győződjön meg arról, hogy a típusablán szereplő frekvencia és feszültség azonos-e a hálózati feszültséggel.

1. Ügyeljen arra, hogy a főkapcsoló „0” helyzetben legyen. (ábra 10)
2. Ellenőrizze, hogy a megfelelő szűrők a helyükön vannak-e a termékben belül.
3. Helyezze a tömlőt a termék elején található szívónyílásba. Nyomja előre felé a tömlőt, amíg szorosan a helyére nem illeszkedik a szívónyílásban. (ábra 16)
4. Csatlakoztassa a két hosszabbító csövet a fogantyúval. A megfelelő csatlakozás ellenőrzéséhez csavarja meg a hosszabbító csöveket.

5. Csatlakoztasson egy szívófejet a hosszabbító csőhöz. A szívófejet a felszíni kívánt anyag típusának megfelelően válassza ki.
6. Csatlakoztassa a dugaszt a hálózati aljzathoz.
7. A termék elindításához állítsa „I” helyzetbe a főkapcsolót. (ábra 17)

A termék leállítás

1. A termék leállításához állítsa „0” helyzetbe a főkapcsolót.
2. Húzza ki a dugaszt a hálózati aljzathoz. (ábra 10)

A fűvőfunkció használata

1. Helyezze a tömlőt a termék hátulján lévő nyílásba. (ábra 21)
2. Csatlakoztassa a dugaszt a hálózati aljzathoz.
3. Állítsa a főkapcsolót „I” helyzetbe. (ábra 17)
4. Állítsa be a fűvőerőt a fogantyún vagy a főkapcsoló segítségével. *Csak bizonyos típusok esetében. (ábra 22)

A szerszámgepaljázat használata*

*Csak bizonyos típusok esetében.



VIGYÁZAT: Kövesse a szerszámgepaljázathoz csatlakoztatott készülékek működtetési utasításait és biztonsági utasításait.

Megjegyzés: A csatlakoztatott eszköz maximális teljesítményfelvétele a következő részben olvasható: *Műszaki adatok 157. oldalon.*

1. Ügyeljen arra, hogy a szerszámgépen lévő kapcsoló „0” helyzetben legyen. (ábra 23)
2. Válassza le a fogantyút a tömlőről. Nyomja le a tömlő végén (A) lévő tologombokat, és húzza ki a fogantyút (B). (ábra 24)
3. Csatlakoztassa a szerszámgép adapterét. (ábra 25)
4. Állítsa be a szívóerőt a szerszámgépadapteren vagy a főkapcsoló* segítségével. *Csak bizonyos típusok esetében. (ábra 26)
5. Csatlakoztassa a tömlőt a termék szívónyílásához és a szerszámgéphez. Csatlakoztassa a szerszámgép kábelét a termék elektromos csatlakozójához. (ábra 27)
6. Ügyeljen arra, hogy a szerszámgépen lévő kapcsoló „0” helyzetben legyen. (ábra 23)
7. Fordítsa el a terméken lévő főkapcsolót szerszámgép helyzetbe (A).

8. Állítsa a szerszámgép kapcsolóját „I” helyzetbe (B). (ábra 28)

Megjegyzés: A termék elindításához és leállításához használja a terméken (A) vagy a szerszámgépen (B) lévő főkapcsolót.

Folyadékok felszívása

Megjegyzés: A rendszer úszórendszerrel van ellátva, amely a maximális folyadékszint elérésekor leállítja a termék légáramlását.



VIGYÁZAT: Ne végezze folyadékok felszívását, ha nincs a helyén az úszórendszer.

1. Ügyeljen arra, hogy a szűrő és a szűrőfeszítő (az úszórendszer) a helyén legyen, lásd: *A levegőszűrő cseréje 155. oldalon.* Ha van beszerelve szűrőzsák, akkor távolítsa el.
2. Folyadékok felszívása során a padlószívű fejet használja.
3. A maximális folyadékszint elérésekor a motor hangja észrevehetően megváltozik. A szívóerő ekkor csökken.
4. Állítsa le a terméket, lásd: *A termék leállítása 153. oldalon.*
5. Ūritse ki a portartályt, lásd: *Az üres portartály folyadék felszívása után 155. oldalon.*

Karbantartás

Bevezető



FIGYELMEZTETÉS: Karbantartás előtt el kell olvasnia és meg kell értenie a biztonságról szóló fejezetet.

A gépen végzett minden szerviz- és javítási munkát szakképzettséget igényel. Garantáljuk a professzionális javítások és szervizelés lehetőségét. Ha viszonteladója nem szervizműhely, forduljon hozzánk a legközelebbi szervizműhellyel kapcsolatban.

Rendszeres szervizelés és átvizsgálás

- A terméken rendszeresen szervizelést és átvizsgálást kell végeznie megfelelő képzéssel rendelkező személyzetnek, a kapcsolódó jogszabályok és szabályozások figyelembevételével.
- A földelés folytonosságára, a szigetelés ellenállítására és a rugalmas vezeték állapotára vonatkozóan gyakori elektromossági teszteléseket kell végezni.
- Ha hibát találnak, akkor a terméket ki **kell** vonni a használatból, és meg kell javítania egy jóváhagyott szerviztechnikusnak.

L porosztályú termékek karbantartása

Az L porosztályú termékekre a következők érvényesek: WDC 325L.

- Karbantartás és tisztítás során a karbantartást végző és egyéb személyek szempontjából biztonságos módon használja a terméket.
- A karbantartási területen:
 - Szűrt előírt légáramlást alkalmazzon.
 - Viseljen védőruházatot.
 - Tisztítsa meg a karbantartási területet, hogy a veszélyes anyagok ne kerülhessenek át más területekre.
- Ha az alkatrészek nem tisztíthatók meg megfelelően a karbantartás és a javítás során:
 - Helyezze az alkatrészeket megfelelően lezárt zsákokba.
 - A jogi szabályozásoknak megfelelően ártalmatlanítsa az alkatrészeket.

Az üres portartály folyadék felszívása után

1. Állítsa le a terméket, lásd: *A termék leállítása 153. oldal.*
2. Válassza le a tömlőt a szívónyílásról a tömlő kihúzásával.
3. Oldja ki a féket, és emelje fel a motoregységet. (ábra 8)
4. A portartályt a kiürítéséhez döntse meg hátrafelé, és öntse a folyadékokat egy padlón lévő lefolyóba. * A fogantyú csak bizonyos típusokon található meg. (ábra 29)



VIGYÁZAT: A portartályt és az úszórendszer mindig ürítse ki és tisztítsa meg folyadék felszívása után. Ne végezzen folyadékfelszívást a termékbe helyezett úszórendszer és szűrő nélkül.

5. Helyezze a motoregységet a portartályra, és rögzítse a fékeket. (ábra 12)

Az üres portartály száraz felszívás után

1. Állítsa le a terméket, lásd: *A termék leállítása 153. oldal.*
2. Oldja ki a féket, és emelje fel a motoregységet. (ábra 8)
3. Végezzen ellenőrzést, hogy tele van-e a szűrőzsák.
4. Ha tele van szűrőzsák, akkor távolítsa el.



VIGYÁZAT: Ne végezze száraz anyagok felszívását, ha nincs a helyén a szűrő és a szűrőzsák.

5. Helyezzen be egy új szűrőzsákot, lásd: *A szűrőzsák beszerelése 153. oldal.*

Megjegyzés: A termék szívási teljesítménye a szűrő és a szűrőzsák méretétől és minőségétől függ. Kizárólag Husqvarna szűrőt és szűrőzsákot használjon.

6. Helyezze a motoregységet a portartályra, és rögzítse a fékeket. (ábra 12)

A szűrő megtisztítása, szűrőtisztító rendszer

A rendszer félautomatikus szűrőtisztító rendszerrel van ellátva. Használja rendszeresen a szűrőtisztító rendszert, legkésőbb akkor, ha a tisztítási teljesítmény már nem megfelelő. A szűrőtisztító rendszer rendszeres használata megnöveli a szűrő élettartamát.

1. Ha már nem megfelelő a szívási teljesítmény, tisztítsa meg a szűrőt. (ábra 30)
2. Helyezze a tömlőt a termék elején található szívónyílásba. (ábra 16)

3. Csatakoztassa a készüléket a hálózati aljzathoz.
4. Állítsa a főkapcsolót „I” helyzetbe. (ábra 17)
5. Helyezze a szívófejet a kezébe (A), hogy a készülék szívóereje a kezére hasson.
6. Az öklével 3 alkalommal üsse meg a szűrőtisztító gombot (B). (ábra 31)
7. Ha a szívóerő nem megfelelő, távolítsa el a szűrőt, lásd: *A levegőszűrő cseréje 155. oldal.*
8. Rázza meg, kefélje át vagy mossa ki a szűrőt a kitisztításához.
9. Hagyja megszáradni a szűrőt.
10. Szerelje be a szűrőt, lásd: *A szűrőzsák beszerelése 153. oldal.*

A termék külső tisztítása

1. Állítsa le a terméket, lásd: *A termék leállítása 153. oldal.*
2. Tisztítsa meg a terméket egy száraz ronggyal, valamint kis mennyiségű tisztítópermmel.

A levegőszűrő cseréje

A terméket folyamatos kemény munkavégzésre tervezték. A porszűrőt a működési órák számától függően kell cserélni.

1. Állítsa le a terméket, lásd: *A termék leállítása 153. oldal.*
2. Oldja ki a féket, és emelje fel a motoregységet. (ábra 8)
3. Fordítsa el a szűrőfeszítőt (A) az óramutató járásával ellentétes irányban, és húzza ki. Húzza ki a szűrőt (B). (ábra 32)
4. Helyezze be az új szűrőt (A). Helyezze be a szűrőfeszítőt (B), és fordítsa el az óramutató járásával megegyező irányban. (ábra 33)
5. Ügyeljen rá, hogy a szűrő és a szűrőtartó a helyére kerüljön. (ábra 34)
6. Helyezze a motoregységet a portartályra, és rögzítse a fékeket. (ábra 12)

A szűrőzsák cseréje

1. Állítsa le a terméket, lásd: *A termék leállítása 153. oldal.*
2. Oldja ki a féket, és emelje fel a motoregységet. (ábra 8)
3. Végezzen ellenőrzést, hogy tele van-e a szűrőzsák. Ha tele van szűrőzsák, akkor távolítsa el.
4. Húzza ki a régi szűrőzsák kartonból készült részét a szívónyílásból.
5. Emelje ki a szűrőzsákot (A), és ártalmatlanítsa.
6. Helyezze be az új szűrőzsákot a portartályba (B).

7. Csatlakoztassa a szűrőzsák kartonból készült részét a szívónyílásra (C). Ügyeljen arra, hogy a gumimembrán a szívónyílás kiemelkedő részén túlra kerüljön. (ábra 35)

8. Helyezze a motoregységet a portartályra, és rögzítse a fékeket. (ábra 12)

Szállítás, tárolás és ártalmatlanítás

Szállítás és raktározás

- Használat után:
 - Ha nem használja a terméket, válassza le a dugaszt a hálózati áramforrásról.
 - Tekerje fel a kábelt, a terméknél kezdve.
 - A kábeltartó használatával csatlakoztassa a kábelt a motoregységhez.
 - Tekerje fel a tömlőt.
 - A tömlőtartó használatával csatlakoztassa a tömlőt a motoregységhez.
- Szállítás:
 - Zárja le a motoregységen lévő összes féket.
 - Ne döntse meg a terméket, ha a portartályban folyadék található.
 - Ne használjon darukampót a termék megemelésére.
- Tárolás:
 - Tartsa a terméket száraz és fagymentes helyen.

A termék újrahasznosítása

A termék használhatatlanná tételéhez végezze el ezeket a lépéseket.

1. Húzza ki a dugaszt a hálózati aljzattól.
2. Vágja el a tápkábelt.
3. Ne dobja a készüléket a háztartási hulladék közé.

Leselejtezés (A 2012/19/EK irányelv előírásai szerint):

A terméket tilos a normál háztartási hulladék közé helyezni. Hulladékba helyezését a helyi környezetvédelmi előírásokkal összhangban kell végrehajtani.

Ügyeljen rá, hogy a terméket a helyi szelektív hulladékgyűjtő központjában vagy azon keresztül ártalmatlanítsák.

(ábra 5)

Műszaki adatok

Műszaki adatok

	EU/CH		GB		AU/NZ		US
	WDC 220	WDC 325L	WDC 220	WDC 325L	WDC 220	WDC 325L	WDC 225
Feszültség, V	220-240	220-240	220-240	220-240	220-240	220-240	110-120
Teljesítmény P_{IEC} , W	1000	1200	1000	1000	1000	1000	1000
Kapcsolt terhelés a készülékjelzők esetében, W	-	2400 /1100	-	1900	-	1300	-
Frekvencia, Hz	50@60				50-60		50@60
Biztosíték, A	10	16@10	13	13	10	10	15
Védelmi kategória (nedvesség, por)	IPX4						
Védelmi osztály (elektromos)	II. (ábra 4)	I	II. (ábra 4)	I	II. (ábra 4)	I	II. (ábra 4)
Levegőmennyiség-áramlás, l/perc	3600	3700	3600	3600	3600	3600	3200
Levegőmennyiség-áramlás, cfm	127	130	127	127	127	127	113
Szívóerő, mbar	210	235	210	210	210	210	210
Hangnyomásszint 1 m-en, EN 60704-1, dB(A) +/- 2	72						
Rezgés ISO 5349, m/mp ² +/- 1	<1,5						
Tömeg, kg	7,5	8,5	7,5	8,5	7,5	8,5	7,5
Szélesség (mm)	377	376	377	376	377	376	377
Mélység, mm	385	392	385	392	385	392	392
Magasság (mm)	506	533	506	530	506	530	550

EK megfeleléségi nyilatkozat

EK megfeleléségi nyilatkozat

A **Husqvarna AB**, SE-561 82 Huskvarna, Svédország,
tel: +46-36-146500, kijelenti, hogy a **Husqvarna és
WDC 220, 3325L** porszívó megfelel az EGK TANÁCSA
következő IRÁNYELVÉNEK:

- a 2006. május 17-i, „gépekre vonatkozó” irányelv
2006/42/EK
- a 2014. február 26-i, „elektromágneses
megfeleléssel kapcsolatos” irányelv **2014/30/EU**

A következő szabványok kerültek alkalmazásra:

**EN 60335-1:2012+A11:2014, EN 60335-2-69:2012, EN
55014-1:2006+A1:2009+A2:2011, EN 55014-2:2015,
EN 61000-3-2:2014, EN 61000-3-3:2013**

Eltérő rendelkezés hiányában a fenti szabványok
a legutóbb közzétett verziókat jelölik.

Huskvarna, 2018-08-01



Cornelia Ekblad, termékmenedzsment-igazgató

Sommario

Introduzione.....	159	Manutenzione.....	166
Sicurezza.....	160	Trasporto, stoccaggio e smaltimento.....	168
Montaggio.....	164	Dati tecnici.....	169
Utilizzo.....	165	Dichiarazione di conformità CE.....	170

Introduzione

Descrizione del prodotto

Il prodotto è un aspirapolvere multiuso progettato per l'utilizzo commerciale.

Uso previsto

Utilizzare il prodotto per la pulizia a secco di polvere e liquidi non infiammabili.

Leggere e rispettare le istruzioni di sicurezza e di funzionamento.

Effettuare gli interventi di manutenzione e riparazione sul prodotto specificati dal produttore.

Il produttore declina ogni responsabilità per danni risultanti dall'uso errato o interventi di manutenzione o riparazione non corretti.

Panoramica del prodotto WDC 220, WDC 225

(Fig. 1)

1. Interruttore principale
2. Sistema di pulizia de filtro
3. Entrata aspirapolvere
4. Ruote
5. Supporto cavo, supporto tubo
6. Cartuccia filtro

7. Ugello
8. Impugnatura
9. Lancia per pavimenti
10. Bocchetta a lancia
11. Manuale operatore
12. Tubo di prolunga
13. Tubo

Panoramica del prodotto WDC 325L

(Fig. 2)

1. Interruttore principale
2. Sistema di pulizia de filtro
3. Entrata aspirapolvere
4. Ruote
5. Supporto cavo, supporto tubo
6. Cartuccia filtro
7. Ugello
8. Impugnatura
9. Lancia per pavimenti
10. Bocchetta a lancia
11. Manuale operatore
12. Tubo di prolunga
13. Tubo
14. Adattatore utensili elettrici
15. Collegamento per utensili elettrici
16. Cassetta degli attrezzi

(Fig. 5) Non smaltire l'unità come un rifiuto domestico. Rispettare i requisiti locali.

(Fig. 6) Il prodotto è conforme alle direttive CE vigenti.

Nota: I restanti simboli/decalcomanie sul prodotto riguardano particolari requisiti necessari per ottenere la certificazione in altre aree commerciali.

Polvere classe L

(Fig. 7)

Osservare le norme di sicurezza e le relative misure per polveri classe L.

Responsabilità del prodotto

Come indicato nelle leggi vigenti in materia di responsabilità obbligatoria sul prodotto, non siamo responsabili per eventuali danni causati dal nostro prodotto se:

- Il prodotto viene riparato in modo errato.
- Il prodotto viene riparato con parti che non provengono o non sono omologate dal produttore.
- Il prodotto contiene un accessorio che non proviene o non è omologato dal produttore.

Simboli riportati sul prodotto

(Fig. 3) Prima dell'uso, leggere attentamente il Manuale dell'operatore e accertarsi di aver compreso le istruzioni.

(Fig. 4) L'unità dispone di un isolamento doppio.

- Il prodotto non viene riparato presso un centro di assistenza autorizzato o presso un'autorità competente.

Sicurezza

Definizioni di sicurezza

Le avvertenze, le precauzioni e le note sono utilizzate per evidenziare le parti importanti del manuale.



AVVERTENZA: Utilizzato se è presente un rischio di lesioni o morte dell'operatore o di passanti nel caso in cui le istruzioni del manuale non vengano rispettate.



ATTENZIONE: Utilizzato se è presente un rischio di danni al prodotto, ad altri materiali oppure alla zona adiacente nel caso in cui le istruzioni del manuale non vengano rispettate.

Nota: Utilizzato per fornire ulteriori informazioni necessarie in una determinata situazione.

Istruzioni di sicurezza generali



AVVERTENZA: Leggere le seguenti avvertenze prima di utilizzare il prodotto.

- Se il prodotto e/o un accessorio è danneggiato, ripararlo presso un centro di assistenza autorizzato. Non utilizzare un prodotto danneggiato.
- Non consentire ai bambini di utilizzare il prodotto. Non permettere a nessuno che non conosca le istruzioni di utilizzare il prodotto o di effettuare la manutenzione.
- Il prodotto deve essere utilizzato solo sotto la supervisione di un'altra persona.
- Assistere sempre una persona, con capacità fisica o mentale ridotta, quando utilizza il prodotto.
- I bambini dovranno essere sorvegliati per evitare che giochino con il prodotto.
- Non adottare procedure di lavoro pericolose.
- Non utilizzare il prodotto con i filtri in una posizione errata.
- Spegnere il prodotto e scollegare la spina dalla presa nelle seguenti situazioni:
 - Prima della pulizia e della manutenzione.
 - Prima della riparazione.
 - Se è presente schiuma o liquido nell'area.
- Non allontanarsi dal prodotto quando è collegato. Scollegare il cavo di alimentazione quando non è in uso e prima della manutenzione.
- Non utilizzare il prodotto se il cavo o la spina sono danneggiati. Afferrare la spina, non il cavo, per scollegare il prodotto. Non afferrare

- la spina o il prodotto con le mani bagnate. Resettare tutti i comandi prima dello scollegamento.
- Non tirare il prodotto dal cavo. Non utilizzare il cavo come maniglia. Non chiudere una porta sopra il cavo o tirare il cavo intorno a bordi o angoli appuntiti. Evitare che il prodotto schiacci il cavo. Tenere il cavo lontano da superfici calde.
 - Tenere i capelli, abiti larghi, le dita e tutte le parti del corpo lontano da aperture e parti in movimento. Non inserire oggetti nelle aperture o usare il prodotto con le aperture ostruite. Mantenere le aperture libere da polvere, filacci, capelli e qualsiasi altro oggetto che possa ridurre il flusso dell'aria.
 - Non aspirare polvere pericolosa con il modello WDC 220, WDC 225.
 - Non aspirare sostanze o liquidi infiammabili come la benzina. Non utilizzare il prodotto in aree in cui possono trovarsi tali sostanze.
 - Non aspirare materiali in fiamme o che emettono fumo, come sigarette, fiammiferi o ceneri calde.
- Prestare attenzione durante la pulizia delle scale.
 - Se della schiuma o del liquido fuoriesce dal prodotto, arrestarlo immediatamente.
 - Non utilizzare il prodotto come una pompa d'acqua.
 - Collegare il prodotto a una presa elettrica con una messa a terra adeguata. La presa di corrente e la prolunga devono disporre di un conduttore di protezione operativo (applicabile solo ai prodotti sprovvisti di isolamento doppio).
 - Assicurarsi che sia disponibile un buon flusso d'aria nella zona di lavoro.
 - Non utilizzare il prodotto come una scala o scala a pioli.
 - Quando si utilizzano aspirapolveri, nel caso in cui l'aria di scarico dell'aspirapolvere viene rilasciata all'interno della stanza, è necessario adeguare la velocità di scambio dell'aria. Osservare le normative nazionali prima dell'uso.
 - Per i prodotti con polveri classe L, WDC 325L, informare e addestrare l'operatore sui seguenti aspetti prima dell'uso:
 - Come utilizzare il prodotto.

- I rischi del materiale da aspirare.
- Il corretto smaltimento dei materiali aspirati.
- Per i prodotti con polveri classe L, WDC 325L, considerare quanto segue:
 - Utilizzare il prodotto per la pulizia a secco di polveri e liquidi non infiammabili, polveri pericolose con valore OEL¹⁾ > 1 mg/m³. Polvere classe L (IEC 60335-2 -69). La polvere di questa classe ha valori OEL¹⁾ > 1 mg/m³.
 - I prodotti con polvere classe L dispongono di materiale del filtro testato. Il massimo grado di permeabilità è dell'1%. Non vi sono requisiti speciali per lo smaltimento.

Nota: Fare riferimento alle normative locali. Possono limitare l'età dell'operatore.

Sicurezza per i prodotti con isolamento doppio



AVVERTENZA: Utilizzare il prodotto solo come indicato nel presente manuale ed esclusivamente con gli accessori consigliati dal produttore.



AVVERTENZA: Applicabile solo al Regno Unito: Leggere queste istruzioni importanti. Le istruzioni sono state preparate attribuendo priorità assoluta alla sicurezza e all'efficienza. L'operatore deve essere addestrato da un istruttore approvato e deve leggere attentamente queste istruzioni prima dell'utilizzo. L'operatore deve conoscere tutte le normative e leggi in vigore al momento dell'utilizzo.



AVVERTENZA: Prima di collegare il prodotto: Accertarsi che la tensione e la frequenza dell'alimentazione corrispondano ai dati riportati sulla targhetta dati dell'aspirapolvere a secco/umido.



AVVERTENZA: Questo prodotto dispone di isolamento doppio. Utilizzare solo pezzi di ricambio per il modello Husqvarna. Vedere le istruzioni su come eseguire operazioni di manutenzione su prodotti con isolamento doppio.



AVVERTENZA: Il prodotto è dotato di un cavo speciale. Se il cavo è danneggiato, deve essere sostituito con un cavo dello stesso tipo. È disponibile presso centri di assistenza e rivenditori autorizzati e deve essere installato da personale autorizzato.



AVVERTENZA: L'assistenza su un prodotto con isolamento doppio richiede la conoscenza dell'impianto. Nei prodotti con isolamento doppio, invece della messa a terra sono presenti due sistemi di isolamento. Su un prodotto con isolamento doppio non sono presenti messe a terra; pertanto non aggiungerle all'apparecchio. L'assistenza deve essere eseguita esclusivamente da personale autorizzato. I pezzi di ricambio per un prodotto con isolamento doppio devono essere identici ai pezzi da sostituire. Un prodotto con isolamento doppio è contrassegnato con la scritta "DOUBLE INSULATION" o "DOUBLE INSULATED". Potrebbe essere presente sul prodotto un simbolo.

Sicurezza elettrica

- È consigliabile che l'aspirapolvere sia collegato tramite un interruttore salvavita.
- Disporre le parti elettriche (prese, spine e raccordi) e posare il cavo di prolunga in modo da mantenere la classe di protezione.
- Connettori e raccordi dei cavi di alimentazione e dei cavi di prolunga devono essere impermeabili.

Cavo di prolunga

- Come cavo di prolunga, utilizzare solo la versione specificata dal produttore o una di qualità superiore.
- Quando si utilizza un cavo di prolunga, controllare le sezioni trasversali minime del cavo:

Lunghezza cavo	Sezione trasversale	
	< 16 A	< 25 A

< 20 m	1,5 mm ²	2,5 mm ²
20-50 m	2,5 mm ²	4,0 mm ²



AVVERTENZA: La parte superiore dell'aspirapolvere contiene componenti sotto tensione. Il contatto con componenti sotto tensione provoca lesioni gravi o addirittura mortali.

- Non spruzzare mai acqua sulla sezione superiore dell'aspirapolvere.



AVVERTENZA: Scosse elettriche causate da un cavo di collegamento elettrico guasto. Toccare un cavo di collegamento elettrico difettoso può provocare lesioni gravi o persino mortali.

- Non danneggiare il cavo di alimentazione (ad esempio passandoci sopra, tirandolo o schiacciandolo).
- Verificare regolarmente se il cavo di alimentazione è danneggiato o se mostra segni di usura.
- Per evitare qualsiasi pericolo, se il cavo è danneggiato, deve essere sostituito da

un distributore autorizzato del modello Husqvarna, o da personale qualificato equivalente.

- In nessun caso il cavo di alimentazione deve essere avvolto intorno alle dita o qualsiasi parte del corpo dell'operatore.



ATTENZIONE: La presa dell'apparecchio (solo su alcuni modelli) è progettata esclusivamente per gli scopi definiti nelle istruzioni di funzionamento. Il collegamento di apparecchi diversi può comportare danni.

- Prima di collegare un apparecchio, spegnere sempre il prodotto e l'apparecchio da collegare.
- Leggere attentamente le istruzioni di funzionamento dell'apparecchio da collegare e osservare le norme di sicurezza contenute nelle istruzioni.



ATTENZIONE: Danni dovuti a tensione di rete inadeguata. L'apparecchio può essere

danneggiato per un collegamento a una tensione di rete inadeguata.

- Accertarsi che la tensione e la frequenza dell'alimentazione corrispondano ai dati riportati sulla targhetta dati dell'aspirapolvere a secco/umido.

Istruzioni di sicurezza per il funzionamento

Pulizia dei liquidi



ATTENZIONE: Non pulire liquidi infiammabili.

- Rimuovere la cartuccia del filtro prima di procedere alla pulizia dei liquidi. Controllare che il galleggiante o il limite del livello dell'acqua funzionino correttamente.
- Utilizzare un elemento del filtro o un filtro a retina speciale.
- Se della schiuma fuoriesce dal prodotto, interrompere immediatamente il lavoro e svuotare il serbatoio.

Materiali pericolosi



AVVERTENZA: Non pulire materiali pericolosi. Tale operazione può causare lesioni.

- Non pulire i seguenti materiali:
 - polvere pericolosa
 - materiali caldi, ad esempio sigarette accese e cenere calda.

- liquidi infiammabili, esplosivi, aggressivi, ad esempio benzina, solventi, acidi e alcali
- polveri infiammabili, esplosive, ad esempio magnesio o polvere di alluminio

Ricambi e accessori



ATTENZIONE: Utilizzare solo ricambi e accessori del modello per la sicurezza del prodotto.

- Utilizzare solo ricambi e accessori Husqvarna.
- Utilizzare solo le spazzole in dotazione con il prodotto o consigliate nel manuale dell'operatore.

Ambiente esplosivo o infiammabile



ATTENZIONE: Non utilizzare il prodotto in ambienti esplosivi o infiammabili. Non utilizzate il prodotto in prossimità di liquidi, gas o vapori che possono provocare ambienti infiammabili.

Funzione soffiatore



AVVERTENZA: La polvere può causare rischi per la salute. Il prodotto dispone di una funzione soffiatore. Non soffiare l'aria in modo casuale in aree chiuse. Utilizzare la funzione soffiatore solo con un tubo pulito.

Istruzioni di sicurezza per la manutenzione



AVVERTENZA: Leggere tutte le avvertenze prima di eseguire la manutenzione del prodotto.

Svuotamento del contenitore della sporcizia



ATTENZIONE: Il materiale pulito può essere pericoloso per l'ambiente. Eliminare lo sporco rispettando le norme di legge.

Montaggio



AVVERTENZA: Leggere e comprendere il capitolo sulla sicurezza prima di montare il prodotto.

Operazioni da eseguire prima dell'installazione

1. Sbloccare i ganci e sollevare il gruppo motore. (Fig. 8)
2. Rimuovere gli accessori dal contenitore della sporcizia. (Fig. 9)

3. Accertarsi che tutte le parti siano incluse. Vedere la panoramica del prodotto. Utensili necessari: Cacciavite:

Installazione della cartuccia del filtro

1. Posizionare l'interruttore principale su "0".
2. Scollegare il prodotto. (Fig. 10)
3. Sbloccare i ganci e sollevare il gruppo motore. (Fig. 8)
4. Inserire la cartuccia del filtro nel contenitore della sporcizia.
5. Fissare la parte in cartone della cartuccia del filtro sull'entrata dell'aspirapolvere. Assicurarsi che la membrana in gomma sia posizionata oltre la scanalatura dell'ingresso di aspirazione. (Fig. 11)
6. Inserire il gruppo motore sul contenitore della sporcizia e bloccare i ganci. (Fig. 12)

Fissaggio degli accessori

1. Per un facile accesso, collocare gli accessori in posizione. (Fig. 13)
2. Fissare la cassetta degli attrezzi sul lato posteriore del prodotto. (Fig. 14)

3. Fissare il supporto del cavo e del tubo sul lato posteriore del prodotto. (Fig. 15)

Installazione del tubo

1. Posizionare il tubo nell'ingresso di aspirazione sulla parte anteriore del prodotto. (Fig. 16)
2. Collegare l'apparecchio a una presa elettrica.
3. Posizionare l'interruttore principale su "I". (Fig. 17)
4. Regolare la potenza di aspirazione sul manico oppure tramite l'interruttore principale*. *Solo su alcuni modelli. (Fig. 18)

Installazione del supporto del tubo

1. Spostare il supporto del tubo in posizione verticale sul tubo di prolunga.
2. Utilizzare un cacciavite e installare il supporto del tubo all'altezza corretta del tubo di prolunga. (Fig. 19)
3. Posizionare il tubo di prolunga sui supporti nella parte posteriore del prodotto. (Fig. 20)

Utilizzo

Introduzione



AVVERTENZA: Prima di utilizzare il prodotto, è necessario leggere e comprendere il capitolo relativo alla sicurezza.

Avviamento dell'unità

Prima di utilizzare il prodotto, accertarsi che la frequenza e la tensione indicate sulla targhetta dati di funzionamento siano uguali alla tensione di rete.

1. Accertarsi che l'interruttore principale sia su "0" (Fig. 10)
2. Controllare che i filtri corretti siano in posizione sul prodotto.
3. Inserire il tubo nell'ingresso di aspirazione nella parte anteriore del prodotto. Spingere il tubo in avanti fino a quando non è fissato in posizione nell'ingresso di aspirazione. (Fig. 16)
4. Collegare i due tubi di prolunga con la maniglia. Torcere i tubi di prolunga per accertarsi che i cavi siano correttamente in posizione.
5. Attaccare una bocchetta al tubo di prolunga. Selezionare la bocchetta in base al tipo di materiale da pulire.
6. Collegare il cavo alla presa elettrica.
7. Portare l'interruttore principale in posizione "I" per avviare il prodotto. (Fig. 17)

Arresto del prodotto

1. Portare l'interruttore principale in posizione "0" per arrestare il prodotto.
2. Scollegare il cavo dalla presa elettrica. (Fig. 10)

Utilizzo della funzione di soffiaggio

1. Posizionare il tubo nell'apertura sulla parte posteriore del prodotto. (Fig. 21)
2. Collegare il cavo alla presa elettrica.
3. Posizionare l'interruttore principale su "I". (Fig. 17)
4. Regolare la potenza di soffiaggio sul manico oppure tramite l'interruttore principale*. *Solo su alcuni modelli. (Fig. 22)

Utilizzo della presa degli utensili elettrici*

*Solo su alcuni modelli.



ATTENZIONE: Seguire le istruzioni di funzionamento e le istruzioni di sicurezza per apparecchi collegati alla presa degli utensili elettrici.

Nota: Il consumo energetico massimo dell'utensile collegato è indicato nella sezione *Dati tecnici alla pagina 169*.

1. Accertarsi che l'interruttore dell'utensile elettrico sia in posizione "0". (Fig. 23)
2. Scollegare la maniglia dal tubo. Premere i portelli sull'estremità del tubo (A) e tirare la maniglia (B). (Fig. 24)
3. Collegare l'adattatore per utensili elettrici. (Fig. 25)
4. Regolare la potenza di aspirazione sull'adattatore per utensili elettrici oppure tramite l'interruttore principale*. *Solo su alcuni modelli. (Fig. 26)
5. Collegare il tubo all'ingresso di aspirazione del prodotto e all'utensile elettrico. Collegare il cavo dell'utensile elettrico al collegamento elettrico del prodotto. (Fig. 27)
6. Accertarsi che l'interruttore dell'utensile elettrico sia in posizione "0". (Fig. 23)
7. Portare l'interruttore principale del prodotto nella posizione dell'utensile elettrico (A).
8. Posizionare l'interruttore dell'utensile elettrico nella posizione "I" (B). (Fig. 28)

Nota: È possibile avviare e arrestare il prodotto con l'interruttore principale del prodotto (A) o dell'utensile elettrico (B).

Pulizia dei liquidi

Nota: Il prodotto dispone di un sistema flottante che blocca il flusso di aria nel prodotto al massimo livello del liquido.



ATTENZIONE: Non pulire il liquido se il sistema flottante non è in posizione.

1. Assicurarsi che il filtro e il sistema di tensionamento del filtro (sistema flottante) siano in posizione, vedere *Sostituzione del filtro alla pagina 167*. Rimuovere la cartuccia del filtro se è già installata.
2. Utilizzare la lancia per pavimenti per pulire il liquido.
3. Quando il livello di liquido è massimo, si avverte un notevole cambiamento del suono del motore. La potenza di aspirazione diminuisce.
4. Arrestare il prodotto, vedere *Arresto del prodotto alla pagina 165*.
5. Svuotare il contenitore della sporcizia, vedere *Svuotamento del contenitore della sporcizia dopo il prelievo del liquido alla pagina 166*.

Manutenzione

Introduzione



AVVERTENZA: Prima di svolgere la manutenzione, leggere e comprendere il capitolo relativo alla sicurezza.

Per tutti gli interventi di assistenza e riparazione sul prodotto, è necessaria una formazione specifica. La nostra azienda garantisce la disponibilità di personale qualificato per le riparazioni e l'assistenza. Se non avete acquistato il prodotto presso un rivenditore dotato di officina, informatevi sull'ubicazione della più vicina officina autorizzata.

Ispezione e interventi di manutenzione periodici

- Gli interventi periodici di manutenzione e ispezione del prodotto devono essere eseguiti da personale qualificato nel rispetto delle norme e direttive applicabili.
- Inoltre, sono da eseguire con una certa frequenza test elettrici per verificare la continuità a massa, la resistenza di isolamento e le condizioni del cavo flessibile.
- Se viene rilevato un difetto, il prodotto **deve** essere ritirato e riparato da un tecnico specializzato.

Manutenzione dei prodotti con polvere classe L

Le seguenti indicazioni sono valide per i prodotti con polvere classe L, WDC 325L.

- Durante la manutenzione e la pulizia, utilizzare il prodotto in modo da garantire la sicurezza del personale addetto alla manutenzione o di altre persone.
- Nell'area di manutenzione:
 - Utilizzare il flusso d'aria filtrata obbligatorio.
 - Usare indumenti protettivi.
 - Pulire l'area di manutenzione in modo che nessun materiale nocivo venga trasferito in altre aree.
- Se le parti non possono essere pulite in modo soddisfacente durante la manutenzione e la riparazione:
 - Introdurre le parti in sacchetti correttamente sigillati.
 - Gettare le parti rispettando le norme di legge.

Svuotamento del contenitore della sporcizia dopo il prelievo del liquido

1. Arrestare il prodotto, vedere *Arresto del prodotto alla pagina 165*.
2. Scollegare il tubo dall'ingresso di aspirazione tirando il tubo stesso.

- Sbloccare i ganci e sollevare il gruppo motore. (Fig. 8)
- Svuotare il contenitore della sporcizia, inclinandolo indietro e versare i liquidi in uno scarico a pavimento. * Utilizzare solo su alcuni modelli. (Fig. 29)



ATTENZIONE: Svuotare e pulire sempre il contenitore della sporcizia e il sistema flottante dopo il prelievo del liquido. Non prelevare il liquido se il sistema flottante e il filtro non sono installati nel prodotto.

- Inserire il gruppo motore sul contenitore della sporcizia e bloccare i ganci. (Fig. 12)

Svuotamento del contenitore della sporcizia dopo il prelievo a secco

- Arrestare il prodotto, vedere *Arresto del prodotto alla pagina 165*.
- Sbloccare i ganci e sollevare il gruppo motore. (Fig. 8)
- Controllare se la cartuccia del filtro è piena.
- Rimuovere la cartuccia del filtro se è piena.



ATTENZIONE: Non raccogliere materiali asciutti se il filtro e la cartuccia del filtro non sono in posizione.

- Installare una nuova cartuccia del filtro, vedere *Installazione della cartuccia del filtro alla pagina 165*.

Nota: L'efficienza di aspirazione del prodotto dipende dalle dimensioni e dalla qualità del filtro e della cartuccia del filtro. Utilizzare solo filtri e cartucce dei filtri Husqvarna.

- Inserire il gruppo motore sul contenitore della sporcizia e bloccare i ganci. (Fig. 12)

Pulizia del filtro, sistema di pulizia del filtro

Il prodotto dispone di un sistema semi-automatico di pulizia del filtro. Utilizzare il sistema di pulizia del filtro regolarmente, al più tardi quando le prestazioni di pulizia non sono più soddisfacenti. L'utilizzo regolare del sistema di pulizia del filtro aumenta la durata del filtro.

- Pulire il filtro quando la potenza di aspirazione non è più sufficiente. (Fig. 30)
- Posizionare il tubo nell'ingresso di aspirazione sulla parte anteriore del prodotto. (Fig. 16)
- Collegare l'apparecchio a una presa elettrica.
- Posizionare l'interruttore principale su "I". (Fig. 17)
- Afferrare l'impugnatura (A) per aspirare sulla propria mano.

- Premere il pulsante della pulizia del filtro 3 volte (B). (Fig. 31)
- Se la potenza di aspirazione non è sufficiente, rimuovere il filtro, vedere *Sostituzione del filtro alla pagina 167*.
- Scuotere, spazzolare o lavare il filtro per pulirlo.
- Lasciare asciugare il filtro.
- Installare il filtro, vedere *Installazione della cartuccia del filtro alla pagina 165*.

Pulizia esterna del prodotto

- Arrestare il prodotto, vedere *Arresto del prodotto alla pagina 165*.
- Pulire il prodotto con un panno asciutto e una piccola quantità di lucido spray.

Sostituzione del filtro

Il prodotto è progettato per impieghi gravosi continui. Il filtro della polvere deve essere sostituito a seconda del numero di ore di funzionamento.

- Arrestare il prodotto, vedere *Arresto del prodotto alla pagina 165*.
- Sbloccare i ganci e sollevare il gruppo motore. (Fig. 8)
- Ruotare il sistema di tensionamento del filtro (A) in senso antiorario ed estrarlo. Estrarre il filtro (B). (Fig. 32)
- Installare il nuovo filtro (A). Installare il sistema di tensionamento del filtro (B) e ruotarlo in senso orario. (Fig. 33)
- Assicurarsi che il filtro e il relativo sistema di tensionamento siano in posizione. (Fig. 34)
- Inserire il gruppo motore sul contenitore della sporcizia e bloccare i ganci. (Fig. 12)

Sostituzione della cartuccia del filtro

- Arrestare il prodotto, vedere *Arresto del prodotto alla pagina 165*.
- Sbloccare i ganci e sollevare il gruppo motore. (Fig. 8)
- Controllare se la cartuccia del filtro è piena. Rimuovere la cartuccia del filtro se è piena.
- Tirare la parte in cartone della cartuccia del filtro esistente sull'ingresso di aspirazione.
- Sollevare la cartuccia del filtro (A) e gettarla.
- Inserire la nuova cartuccia del filtro nel contenitore della sporcizia (B).
- Fissare la parte in cartone della cartuccia del filtro sull'ingresso di aspirazione (C). Assicurarsi che la membrana in gomma sia posizionata oltre la scanalatura dell'ingresso di aspirazione. (Fig. 35)
- Inserire il gruppo motore sul contenitore della sporcizia e bloccare i ganci. (Fig. 12)

Trasporto e rimessaggio

- Dopo l'uso:
 - Scollegare la spina dalla presa elettrica quando il prodotto non è in uso.
 - Arrotolare il cavo a partire dal prodotto.
 - Utilizzare il supporto per il cavo per collegarlo al gruppo motore.
 - Avvolgere il tubo.
 - Utilizzare il supporto tubo per fissare il tubo al gruppo motore.
- Trasporto:
 - Chiudere tutti i ganci sul gruppo motore.
 - Non inclinare il prodotto se è presente del liquido nel contenitore della sporcizia.
 - Non utilizzare il gancio per sollevare il prodotto.
- Conservazione:
 - Conservare il prodotto in un luogo asciutto e al riparo dal gelo.

Riciclo del prodotto

Attenersi a questa procedura per rendere il prodotto inutilizzabile.

1. Scollegare il cavo dalla presa elettrica.
2. Tagliare il cavo di alimentazione.
3. Non smaltire il prodotto come un rifiuto domestico.

Smaltimento (conforme a 2012/19/CE):

L'apparecchio non deve essere smaltito insieme ai normali rifiuti domestici, bensì deve essere smaltito in conformità alle normative ambientali locali.

Assicurarsi che l'apparecchio venga smaltito consegnandolo al centro di smaltimento municipale.

(Fig. 5)

Dati tecnici

Dati tecnici

	EU/CH		GB		AU/NZ		Stati Uniti
	WDC 220	WDC 325L	WDC 220	WDC 325L	WDC 220	WDC 325L	WDC 225
Tensione V	220-240	220-240	220-240	220-240	220-240	220-240	110-120
Potenza <small>piec.</small> W	1000	1200	1000	1000	1000	1000	1000
Carico collegato alla presa per apparecchi, W	-	2400 /1100	-	1900	-	1300	-
Frequenza, Hz	50/60				50-60		50/60
Fusibili, A	10	16/10	13	13	10	10	15
Categoria di protezione (umido, polvere)	IPX4						
Classe di protezione (elettrica)	II (Fig. 4)	I	II (Fig. 4)	I	II (Fig. 4)	I	II (Fig. 4)
Volume del flusso d'aria, l/min	3600	3700	3600	3600	3600	3600	3200
Volume del flusso d'aria, cfm	127	130	127	127	127	127	113
Aspirazione, mbar	210	235	210	210	210	210	210
Livello di pressione sonora a 1 m, EN 60704-1, dB(A) +/- 2	72						
Vibrazioni ISO 5349, m/s ² +/- 1	<1,5						
Peso, kg	7,5	8,5	7,5	8,5	7,5	8,5	7,5
Larghezza, mm	377	376	377	376	377	376	377
Profondità, mm	385	392	385	392	385	392	392
Altezza, mm	506	533	506	530	506	530	550

Dichiarazione di conformità CE

Dichiarazione di conformità CE

Husqvarna AB, SE-561 82 Huskvarna, Svezia, tel.:
+46-36-146500, dichiara che l'**aspirapolvere Husqvarna**
WDC 220, 3325L è conforme alle norme previste nelle
DIRETTIVE DEL CONSIGLIO:

- del 17 maggio 2006 "sulle macchine" **2006/42/CE**
- del 26 febbraio 2014 "sulla compatibilità
elettromagnetica" **2014/30/UE**

Sono state applicate le seguenti norme:

EN 60335-1:2012+A11:2014, EN 60335-2-69:2012, EN
55014-1:2006+A1:2009+A2:2011, EN 55014-2:2015,
EN 61000-3-2:2014, EN 61000-3-3:2013

Se non diversamente specificato, le norme sopra
elencate sono le ultime versioni pubblicate.

Huskvarna, 2018-08-01



Cornelia Ekbladh, Director Product Management

目次

はじめに.....	171	メンテナンス.....	177
安全性.....	172	搬送、保管、廃棄.....	179
組立.....	176	主要諸元.....	180
Operation(動作).....	176	EC 適合宣言.....	181

はじめに

製品の説明

本製品は、業務用に設計された多目的掃除機です。

用途

本掃除機は、乾燥した非可燃性の粉塵や液体の吸引に適しています。

製品の概要 - WDC 220, WDC 225

(図 1)

1. メインスイッチ
2. フィルタークリーニングシステム
3. 吸引入口
4. ホイール
5. ケーブルホルダー、ホースホルダー
6. フィルターバッグ

製品の概要 - WDC 325L

(図 2)

1. メインスイッチ
2. フィルタークリーニングシステム
3. 吸引入口
4. ホイール
5. ケーブルホルダー、ホースホルダー
6. フィルターバッグ
7. ノズル
8. ハンドル
9. 床用ノズル
10. 隙間ノズル
11. 取扱説明書
12. 延長チューブ
13. ホース
14. 電動工具アダプター
15. 電動工具用の電源接続
16. ツールボックス

製品に表記されるシンボル

(図 3) この取扱説明書をよくお読みになり、内容をしっかりと把握したうえで、使用してください。

(図 4) ユニットの二重絶縁になっています。

安全上の注意事項と取扱説明書を読んで指示に従ってください。

本製品については、メーカーが指定する保守と修理のみを行ってください。

メーカーは、不適切な使用、不適切な保守、または不適切な修理の結果生じた損害に関して一切の責任を負いません。

7. ノズル
8. ハンドル
9. 床用ノズル
10. 隙間ノズル
11. 取扱説明書
12. 延長チューブ
13. ホース

(図 5) ユニットと家庭ゴミと一緒に処分しないでください。公的規制を順守してください。

(図 6) 本製品は EC 指令適合製品です。

注記： 本製品に付いている他のシンボル / 銘板は、他の販売地域での認定条件を示しています。

Dust Class L

(図 7)

Dust Class L で規定された安全規則および関連する対応策を順守してください。

製造物責任

製造物責任法に基づき、当社は、次の場合については本製品を原因とする損傷について責任を負いません。

- 本製品が誤って修理された場合。
- メーカーによるものではない部品、またはメーカーの認可していない部品を使用して本製品を修理した場合。
- メーカーによるものではないアクセサリ、またはメーカーの認可していないアクセサリを本製品に使用した場合。

- ・ 認定サービスセンターまたは認定機関で本製品が修理されていない場合。

安全性

安全性の定義

警告、注意、注記は、取扱説明書の特に重要な部分を示しています。



警告： 取扱説明書の指示に従わない場合、使用者が負傷したり、死亡したりするか、あるいは付近の人に損傷を与える危険があることを意味します。



注意： 取扱説明書の指示に従わない場合、製品や他の物品、または隣接するエリアに損傷を与える危険があることを意味します。

注記： 特定の状況で必要とされる詳細情報を提供するために使用されます。

一般的な安全注意事項



警告： 本製品を使用する前に、以下の警告指示をお読みください。

- ・ 本製品 / アクセサリーが損傷している場合は、認定サービスセンターで修理する必要があります。損傷した製品は使用しないでください。
- ・ お子様は本機を使用しないでください。警告指示を理解していない人に本製品の操作または保守を任せないでください。
- ・ 本製品は、必ず監督者の下で操作する必要があります。
- ・ 身体的、精神的にハンディキャップを持った人が本製品を使用する場合は、常に監督者が必要です。
- ・ お子様は本掃除機で遊ばないように指導してください。
- ・ 危険な作業方法を用いしないでください。
- ・ フィルターが正しく装着されていない場合は、本製品を使用しないでください。
- ・ 次のような場合は、本製品を停止して主電源のプラグを抜いてください。
 - ・ 清掃や保守点検の前。
 - ・ 修理の前。
 - ・ 現場に泡や液体が広がっている場合。
- ・ 電源コードが差し込まれた状態で、その場から離れることはお止めください。使用されていないときや保守を行う前には、主電源のプラグを抜いてください。
- ・ コードまたはプラグが損傷している場合は、本製品を使用しないでください。プラグを抜く際には、電源コードではなく、プラグ本体をつかんでください。濡れた手でプラグまたは本製品に触れないでください。コードを取り外す前に、すべてのスイッチをオフにします。
- ・ コードで本製品を引っ張らないでください。コードをハンドルとして使用しないでください。コードをドアで挟んだ

- り、とがった角や先端のあるところにコードを巻き込んだりすることはお止めください。本製品がコードの上に乗らないようにしてください。高温の表面にコードを近づけないでください。
- ・ 可動部や開口部に髪の毛、ゆつたりとした衣類、指、その他身体の一部が接触しないようにしてください。開口部に異物を入れたり、開口部が塞がれた状態で使用しないでください。埃、糸くず、髪の毛、その他空気の流れを妨げる異物が開口部を塞いでいないことを確認します。
- ・ WDC 220, WDC 225 は、危険な粉塵の掃除には適していません。
- ・ ガソリンなどの引火性または可燃性の液体を吸引したり、それらがある場所で使用したりしないでください。
- ・ タバコ、マッチ、高温の灰など、燃えているものや煙を出しているものを吸い込まないようにしてください。
- ・ 階段を清掃するときは細心の注意を払ってください。
- ・ 本製品から泡や液体が漏れる場合は、直ちに本製品を停止してください。
- ・ 本製品を水ポンプとして使用することはできません。
- ・ 本製品は、適切にアース処理された主電源ソケットに接続してください。壁コンセントや延長ケーブルには、有効な保護コンダクターが必要です(二重絶縁されていない製品の場合のみ)。
- ・ 作業エリアの換気が良好であることを確認します。
- ・ 本製品をはしごや踏み台として使用しないでください。
- ・ 掃除機の排気が室内に排出される場合は、部屋の換気を十分に行わなければなりません。使用する前に、国の規制に従ってください。
- ・ Dust Class L 適合製品、WDC 325L のについては、使用前に作業者の指導と訓練を行ってください。
 - ・ 本製品の使用方法
 - ・ 吸引した物質のリスク
 - ・ 吸引した物質の安全な廃棄
- ・ Dust Class L 適合製品、WDC 325L の場合は、次の手順に従います。
 - ・ 本製品は、乾燥した不燃性の埃、液体、OEL¹⁾ 値が 1 mg/m³ を超える危険な粉塵の清掃に使用できます。Dust Class L (IEC 60335-2-69)。このクラスの粉塵は OEL¹⁾ 値が 1 mg/m³ を超えています。

- ・ Dust Class L 適合製品は、テスト済みのフィルター材を使用しています。透過性の最大値は 1 % です。廃棄に関しては、特別な要件はありません。

全く同じでなければなりません。二重絶縁式製品は、「DOUBLE INSULATION (二重絶縁)」または「DOUBLE INSULATED (二重絶縁式)」と記載されています。シンボルが本製品に記載されている場合もあります。

電気保安

- ・ 掃除機は、残余電流回路遮断器を介して接続することを推奨します。
- ・ 保護クラスが維持されるように、電気部品 (ソケット、プラグ、および継手) を準備し、延長リードを配置します。
- ・ 電源リード、延長コードのコネクタおよび継手は、防水でなければなりません。

延長リード

- ・ 延長リードは、メーカー指定のものが、高品質のものを必ず使用してください。
- ・ 延長リードを使用する場合、ケーブルの最小断面サイズを確認します。

ケーブル長	断面	
	< 16 A	< 25 A
< 20 m	1.5 mm ²	2.5 mm ²
20 ~ 50 m	2.5 mm ²	4.0 mm ²



警告： 掃除機の上部には、作動中コンポーネントが搭載されています。作動中コンポーネントに接触すると重大な怪我または死に至る怪我を引き起こす可能性があります。

- ・ 本掃除機の上部に水をかけないでください。



警告： 主電源リードに損傷があると感電する危険があります。損傷のある主電源リードに触れると重大な怪我または死に至る怪我を引き起こす可能性があります。

注記： 地域の法律を参照してください。お住まいの地域の法律によっては、作業者の年齢制限が設けられている場合があります。

二重絶縁式製品の安全性



警告： このマニュアルに記載されているように、本製品では必ずメーカーが推奨するアクセサリーを使用してください。



警告： 英国のみに適用されます。これらの重要な注意事項を参照してください。これらの注意事項は、安全性と効率性を重視して用意されました。作業者は、認定インストラクタによる訓練を受ける必要があります。作業者は、操作時に適用される関連法規制をすべて知っている必要があります。



警告： 本製品を接続する前に：主電源の電圧と周波数が、湿式 / 乾式掃除機の銘板に記載されたデータと一致することを確認してください。



警告： 本製品は二重絶縁されています。Husqvarna の交換部品を必ず使用してください。二重絶縁式製品の保守点検方法については、取扱説明書を参照してください。



警告： 本製品には、特別に設計されたコードが装備されており、損傷を受けた場合には、同じタイプのコードと交換しなければなりません。このコードは正規サービスセンターおよび販売店で販売されており、訓練を受けた担当者により取り付けられる必要があります。



警告： 二重絶縁式製品の保守点検では、システムの知識が必要になります。二重絶縁式掃除機では、アースを使用する代わりに、2 つの絶縁システムが搭載されています。二重絶縁式掃除機にはアースが装着されていません。また、追加装着する必要もありません。保守点検は、資格のあるサービス担当者のみが行う必要があります。二重絶縁式掃除機用交換部品は、交換される古い部品と

- ・ 主電源リードを損傷させないでください (車輪でひいたり、引っ張ったり、押しつぶしたりしないこと)。
- ・ 電源コードが損傷したり老朽化の兆候を示したりしていないか、定期的に確認します。
- ・ 危険回避のため、電気ケーブルに損傷がある場合は、認定 Husqvarna 販売店またはこれと同等な技能のある者が交換を行う必要があります。
- ・ どのような状況でも、電源コードを作業者の指やその他体の一部に巻きつけてはなりません。



注意： 電気機器ソケット (一部のモデルのみ) は、取扱説明書に記載された目的でのみ使用してください。異なる機器への接続は損傷をもたらす可能性があります。

- ・ 電気機器に接続する前に、必ず、本製品と接続される電気機器を停止してください。
- ・ 接続する電気機器の取扱説明書を読み、そこに記載されている安全上の注意事項を守ってください。



注意： 不適切な電源電圧による損傷。電気機器は不適当な電源電圧が接続さ

れると損傷を受ける可能性があります。

- ・ 主電源の電圧と周波数が、湿式 / 乾式掃除機の銘板に記載されたデータと一致することを確認してください

操作のための安全注意事項

液体を吸引する場合



注意： 可燃性液体を吸引しないでください。

- ・ 液体を吸引する前に、フィルターバッグを取り外します。フロートや水位制限が正しく機能していることを確認します。
- ・ 特別なフィルターエレメントまたはフィルタースクリーンを使用します。
- ・ 本製品から泡が出てきた場合は、直ちに使用を中止し、タンクを空にしてください。

危険物質



警告： 危険物質を清掃しないでください。健康被害の誘因となります。

- ・ 以下の物質を清掃しないでください。
 - ・ 危険な粉塵
 - ・ 熱を帯びている物質 (火のついたタバコ、温度の高い灰など)
 - ・ 可燃性、爆発性、刺激性の液体 (ガソリン、溶剤、酸、アルカリなど)
 - ・ 可燃性、爆発性の粉塵 (マグネシウム、アルミニウムの粉塵など)

スベア部品とアクセサリ



注意： 製品の安全のために、のスベア部品とアクセサリを必ず使用してください。

- ・ Husqvarna から購入したスベア部品およびアクセサリを必ず使用してください。
- ・ 本製品の付属ブラシ、または取扱説明書に記載されたブラシを必ず使用してください。

爆発性または引火性の環境での使用



注意： 爆発性または引火性の環境で、本製品を使用しないでください。引火性の環境を生起する可能性がある液体、ガス、また

は蒸気の中で本製品を使用しないでください。

メンテナンスのための安全注意事項

送風機能



警告： 粉塵は、健康上の問題を引き起こす可能性があります。本製品には、送風機能が備わっています。密閉された環境で無作為に外へ向けて送風を行わないでください。送風機能は、きれいなホースを利用できるときに限定してください。



警告： 本製品の保守を行う前に、以下の警告指示をすべて読んでください。

集塵コンテナを空にするには



注意： 清掃した物質が環境に対して有害になる可能性があります。法規制に従ってゴミを廃棄してください。

組立



警告： 本製品を組み立てる前に、安全に関する章を読んで理解してください。

設置前の作業

1. 留め金のロックを外し、モーターユニットを持ち上げます。(図 8)
2. 集塵コンテナからアクセサリーを取り外します。(図 9)
3. すべての部品が含まれていることを確認します。製品の概要を参照してください。必要な工具：ドライバ

フィルターバッグを取り付けるには

1. メインスイッチを「0」の位置にして電源を切りめます。
2. 製品の電源コードを外します。(図 10)
3. 留め金のロックを外し、モーターユニットを持ち上げます。(図 8)
4. 集塵コンテナにフィルターバッグを取り付けます。
5. フィルターバッグの厚紙部分を吸引入口に取り付けます。ゴム製シール弁を吸引入口の突起の先まではめこみます。(図 11)
6. 集塵コンテナにモーターユニットを取り付けて留め金をロックします。(図 12)

アクセサリーを取り付けるには

1. アクセサリーはすぐに手が届くところに置いておいてください。(図 13)
2. 製品の後部にツールボックスを取り付けます。(図 14)
3. 製品の後部にケーブル / ホース用のホルダーを取り付けます。(図 15)

ホースを取り付けるには

1. ホースを製品前部の吸引入口に取り付けます。(図 16)
2. 機器を主電源に接続します。
3. メインスイッチを「1」の位置にして電源を入れます。(図 17)
4. ハンドルまたはメインスイッチで吸引力を調整します*。*一部モデルのみ。(図 18)

チューブホルダーを取り付けるには

1. 延長チューブ上でチューブホルダーを垂直に動かします。
2. ドライバーを使用して、延長チューブの正しい高さでチューブホルダーを取り付けます。(図 19)
3. 延長チューブを製品後部のホルダーに収めます。(図 20)

Operation (動作)

はじめに



警告： 本製品を操作する前に、安全に関する章をお読みにし、内容を理解してください。

本製品の始動方法

本製品を使用する前に、銘板に記載されている周波数と電圧が電源と同じであることを確認します。

1. メインスイッチが「0」の位置にあることを確認します。(図 10)
2. 正しいフィルターが本製品の所定の位置にあることを確認します。
3. ホースを製品前部の吸引入口に取り付けます。吸引入口内の所定の位置でしっかりと固定されるまで、ホースを前方に差し込みます。(図 16)
4. ハンドルが付いた 2 本の延長チューブを接続します。延長チューブをひねって、チューブが正しい位置にあることを確認します。

5. ノズルを延長チューブに取り付けます。清掃する物質の種類に応じてノズルを選択します。
6. プラグを主電源に接続します。
7. メインスイッチを「I」の位置にして、本製品を起動させます。(図 17)

本製品を停止するには

1. メインスイッチを「0」の位置にして、本製品を停止させます。
2. 主電源からプラグを外します。(図 10)

送風機能を使用するには

1. 本製品の後部にある開口部にホースを取り付けます。(図 21)
2. プラグを主電源に接続します。
3. メインスイッチを「I」の位置にして電源を入れます。(図 17)
4. ハンドルまたはメインスイッチで送風力を調整します*。*一部モデルのみ。(図 22)

電動工具ソケットを使用するには*

*一部モデルのみ。



注意： 電動工具ソケットに接続する電気機器の取扱説明書と安全上の注意事項に従ってください。

注記： 接続された工具の最大消費電力については、主要諸元 180 ページセクションに記載されています。

1. 電動工具のスイッチが「0」の位置にあることを確認します。(図 23)
2. ホースからハンドルを外します。ホースエンド (A) のハッチを押し、ハンドル (B) を引き出します。(図 24)
3. 電動工具アダプターを接続します。(図 25)

4. 電動工具アダプターまたはメインスイッチで吸引力を調整します*。*一部モデルのみ。(図 26)
5. 本製品の吸引入口と電動工具にホースを取り付けます。電動工具のケーブルを本製品の電気接続部に近づぎます。(図 27)
6. 電動工具のスイッチが「0」の位置にあることを確認します。(図 23)
7. 本製品のメインスイッチを電動工具の位置 (A) に回します。
8. 電動工具のスイッチを「I」(B) に回します。(図 28)

注記： 本製品 (A) または電動工具 (B) のメインスイッチで、本製品の始動と停止を操作できます。

液体を清掃するには

注記： 本製品は、最高液面で製品内のエアフローを停止するフロートシステムを装備しています。



注意： フロートシステムが所定の位置にない状態では、液体を清掃しないでください。

1. フィルターとフィルターテンション (フロートシステム) が正しい位置にあることを確認します。フィルターを交換するには 178 ページを参照してください。フィルターバッグが取り付けられている場合は取り外します。
2. 床用ノズルを使用して液体を清掃します。
3. 最大液体容量に達すると、モーター音が明らかに変わるのが聞き取れます。吸引力が低下します。
4. 本製品を停止します。本製品を停止するには 177 ページを参照してください。
5. 集塵コンテナを空にします。濡れたもの吸引後に集塵コンテナを空にする 178 ページを参照してください。

メンテナンス

はじめに



警告： メンテナンスを行う前に、安全に関する章をお読みになり、内容を理解してください。

本製品のすべての整備と修理作業には、特別な訓練が必要です。当社では責任をもって専門的な修理と整備作業を提供します。お客様の販売店がサービス代理店でない場合は、最寄りのサービス代理店に関する情報をお問い合わせください。

定期的な保守点検

- お使いの製品は関連する法律や規制に従い、有資格者により定期的に保守点検が行われなければなりません。
- アース導通試験、絶縁抵抗、柔軟電線の状態は頻繁に確認する必要があります。
- 欠陥が見つかった場合、本製品の使用を直ちに停止し、承認された保守技術者が修理する**必要があります**。

Dust Class L 適合製品の保守

Dust Class L 適合製品、WDC 325L の場合は、次の手順に従います。

- 保守や洗浄の際は、保守担当者やその他の人員の安全に十分に配慮して、本製品を取り扱ってください。
- 保守エリア：
 - フィルタを通した強制気流を使用します。
 - 防護服を着用します。
 - 有害な物質が外部に流出しないように、保守エリアを清掃します。
- 保守、修理の際に部品を十分に洗浄できない場合：
 - 部品を袋に入れて適切に密閉します。
 - 部品は、法規制に従って廃棄します。

濡れたものの吸引後に集塵コンテナを空にする

1. 本製品を停止します。本製品を停止するには 177 ページを参照してください。
2. ホースを引いて、ホースを吸引入口から取り外します。
3. 留め金のロックを外し、モーターユニットを持ち上げます。(図 8)
4. 集塵コンテナを後方に傾けて空にして、液体をフロアの排水口に流します。*この取り扱いの一部のモデルのみ。(図 29)



注意：液体を吸引した後は、液体を抜いてコンテナやフロートシステムを必ず洗浄します。フロートシステムとフィルターを本製品に取り付けていない場合は、液体を吸引しないでください。

5. 集塵コンテナにモーターユニットを取り付けて留め金をロックします。(図 12)

乾いたものを吸引後に集塵コンテナを空にする

1. 本製品を停止します。本製品を停止するには 177 ページを参照してください。
2. 留め金のロックを外し、モーターユニットを持ち上げます。(図 8)
3. フィルターバッグが満杯かどうかを確認します。
4. フィルターバッグが満杯になっている場合は取り外します。



注意：フィルターとフィルターバッグを取り付けていない場合は、乾いたものを吸引しないでください。

5. 新しいフィルターバッグを取り付けるには、フィルターバッグを取り付けるには 176 ページを参照してください。

注記：本製品の吸引効率、フィルターおよびフィルターバッグの寸法と品質により異なります。Husqvarna のフィルターとフィルターバッグのみを使用してください。

6. 集塵コンテナにモーターユニットを取り付けて留め金をロックします。(図 12)

フィルター、フィルタークリーニングシステムを洗浄するには

この製品には半自動フィルタークリーニングシステムが搭載されています。空気清浄性能が落ちる前に、定期的にフィルタークリーニングシステムを使用します。フィルタークリーニングシステムを定期的に使用すると、フィルターの寿命が延びます。

1. 吸引力が落ちた場合は、フィルターをクリーニングします。(図 30)
2. ホースを製品前部の吸引入口に取り付けます。(図 16)
3. 機器を主電源に接続します。
4. メインスイッチを「I」の位置にして電源を入れます。(図 17)
5. 手の平 (A) にハンドルを当てて、手の平で吸引力を確認します。
6. 拳 (B) でフィルタークリーニングボタンを 3 回押します。(図 31)
7. 吸引力が十分ではない場合は、フィルターを取り外してフィルターを交換するには 178 ページを参照してください。
8. 振る、ブラシをかける、水洗いするなど、適切な方法でフィルターをクリーニングします。
9. フィルターを乾燥させます。
10. フィルターを取り付けるには、フィルターバッグを取り付けるには 176 ページを参照してください。

製品外部を洗浄するには

1. 本製品を停止します。本製品を停止するには 177 ページを参照してください。
2. 本製品は乾いた布と少量の艶出しスプレーにて清潔に保ってください。

フィルターを交換するには

本製品は、連続した重作業を考慮して設計されています。使用時間に応じて、ダストフィルターを交換する必要があります。

1. 本製品を停止します。本製品を停止するには 177 ページを参照してください。
2. 留め金のロックを外し、モーターユニットを持ち上げます。(図 8)
3. フィルターテンション (A) を反時計回りに回して引き出します。フィルター (B) を引き抜きます。(図 32)
4. 新しいフィルターを取り付けます。フィルターテンション (A) を取り付けて、時計回りに回します。(図 33)
5. フィルターとフィルターテンションを正しく取り付けます。(図 34)

6. 集塵コンテナにモーターユニットを取り付けて留め金をロックします。(図 12)

フィルターバッグを交換するには

1. 本製品を停止します。本製品を停止するには 177 ページを参照してください。
2. 留め金のロックを外し、モーターユニットを持ち上げます。(図 8)
3. フィルターバッグが満杯かどうかを確認します。フィルターバッグが満杯になっている場合は取り外します。

4. 古いフィルターバッグの厚紙部分を吸引入口から取り外します。
5. フィルターバッグ (A) を持ち上げて廃棄します。
6. 集塵コンテナ (B) に新しいフィルターバッグを取り付けます。
7. フィルターバッグの厚紙部分を吸引入口 (C) に取り付けます。ゴム膜が吸引入口の高さを越えていることを確認します。(図 35)
8. 集塵コンテナにモーターユニットを取り付けて留め金をロックします。(図 12)

搬送、保管、廃棄

搬送と保管

- 使用後：
 - 本製品が動作していない場合は、プラグを主電源から取り外します。
 - 本製品から出ているコードを巻き取ります。
 - ケーブルホルダーを使用して、モーターユニットにコードを取り付けます。
 - ホースを巻き取ります。
 - ホースホルダーを使用して、モーターユニットにホースを取り付けます。
- 移動：
 - モーターユニットの留め金をすべて固定します。
 - 集塵コンテナに液体が入っている場合は、本製品を傾けないでください。
 - クレーンフックで本製品を持ち上げないでください。
- 保管：
 - 本製品は、乾燥した霜の降らない場所に保管します。

本製品をリサイクルするには

製品を使用できないようにするには、次の手順に従います。

1. 主電源からプラグを外します。
2. 電源コードを切断します。
3. 通常の家ごみとして本製品を処分しないでください。

廃棄 (2012/19/EC を順守) :

本製品は、通常の家ごみと一緒に廃棄しないでください。地域の環境規制に従って廃棄する必要があります。

本製品は、必ずお住まいの地域のリサイクル回収センターを通じて廃棄してください。

(図 5)

主要諸元

主要諸元

	EU/CH		英国		AU/NZ		米国
	WDC 220	WDC 325L	WDC 220	WDC 325L	WDC 220	WDC 325L	WDC 225
電圧 (V)	220-240	220-240	220-240	220-240	220-240	220-240	110-120
消費電力単位 (W)	1000	1200	1000	1000	1000	1000	1000
機器ソケット用の接続 負荷 (W)	-	2400 /1100	-	1900	-	1300	-
周波数 (Hz)	50/60				50/60		50/60
ヒューズ (A)	10	16/10	13	13	10	10	15
保護区分 (湿度、粉塵)	IPX4						
保護クラス (電気)	II (図 4)	I	II (図 4)	I	II (図 4)	I	II (図 4)
空気流量 (l / 分)	3600	3700	3600	3600	3600	3600	3200
空気流量 (CFM)	127	130	127	127	127	127	113
吸引力 (mbar)	210	235	210	210	210	210	210
1 m での音圧レベル、 EN 60704-1、dB (A) +/- 2	72						
振動 ISO 5349、m/s ² +/- 1	<1.5						
質量 (kg)	7.5	8.5	7.5	8.5	7.5	8.5	7.5
幅 (mm)	377	376	377	376	377	376	377
奥行き (mm)	385	392	385	392	385	392	392
高さ (mm)	506	533	506	530	506	530	550

EC 適合宣言

EC 適合性宣言

Husqvarna AB、SE-561 82 Huskvarna、スウェーデン、
電話：+46-36-146500 は、この掃除機 Husqvarna WDC
220, 3325L が欧州委員会指令の要件に適合しているこ
とを宣言します。

- 2006年5月17日付「機械類に関する」2006/42/EC
- 2014年2月26日付「電磁波適合性に関する」
2014/30/EU

次の標準規格にも適合しています。

EN 60335-1:2012+A11:2014, EN 60335-2-69:2012, EN
55014-1:2006+A1:2009+A2:2011, EN 55014-2:2015,
EN 61000-3-2:2014, EN 61000-3-3:2013

別途記載のない限り、上記規格が最新版です。

Huskvarna, 2018-08-01



プロダクトマネジメントディレクタ、Cornelia Ekbladh

목차

서문.....	182	유지 보수.....	188
안전성.....	183	운송, 보관 및 폐기.....	189
조립.....	187	기술 정보.....	191
작동.....	187	EC 준수 선언문.....	192

서문

제품 설명

이 제품은 상업용으로 설계된 다목적 진공 청소기입니다.

고유 용도

본 제품은 사용하여 건조한 불연성 먼지와 액체를 청소하는 데 사용됩니다.

제품 개요 WDC 220, WDC 225

(그림 1)

1. 메인 스위치
2. 필터 청소 시스템
3. 진공 흡입구
4. 휠
5. 케이블 홀더, 호스 홀더
6. 필터 백

제품 개요 WDC 325L

(그림 2)

1. 메인 스위치
2. 필터 청소 시스템
3. 진공 흡입구
4. 휠
5. 케이블 홀더, 호스 홀더
6. 필터 백
7. 노즐
8. 핸들
9. 바닥 노즐
10. 틈새 노즐
11. 사용자 설명서
12. 연장 튜브
13. 호스
14. 전동 공구 어댑터
15. 전동 공구용 전기 연결
16. 공구 상자

제품의 기호

(그림 3) 사용하기 전에 사용자 설명서를 주의 깊게 읽고, 반드시 지시사항을 이해하도록 하십시오.

(그림 4) 장치는 이중 절연이 되어 있습니다.

안전 지침과 사용자 지침을 읽고 준수하십시오.

제조업체에서 지정한 제품에만 유지 보수 및 수리를 수행하십시오.

제조업체는 잘못된 사용, 잘못된 유지 보수 또는 잘못된 수리로 인한 손상에 대해 어떠한 책임도 지지 않습니다.

7. 노즐
8. 핸들
9. 바닥 노즐
10. 틈새 노즐
11. 사용자 설명서
12. 연장 튜브
13. 호스

(그림 5) 장치를 일반 쓰레기와 함께 폐기하지 마십시오. 현지 요건을 준수하십시오.

(그림 6) 이 제품은 적용 가능한 EC 지침 조항을 준수합니다.

주: 제품에 대한 여타 기호/그림은 기타 상업 지역의 인증 요구사항을 나타냅니다.

Dust Class L

(그림 7)

Dust Class L에 대한 안전 권고 사항과 관련 조치를 준수하십시오.

제품 책임

제조물 책임법에 언급된 바와 같이, 당사는 다음과 같은 경우에 당사 제품이 초래한 손해에 대한 법적 책임이 없습니다.

- 제품이 올바르게 사용되지 않은 경우
- 제품이 제조업체에서 제공하지 않았거나 승인하지 않은 부품으로 수리된 경우
- 제품이 제조업체에서 제공하지 않았거나 승인하지 않은 액세서리가 있는 경우
- 제품이 인가된 서비스 센터 또는 인가된 기관에서 수리되지 않은 경우

안전성

안전 정의

설명서에서 특히 중요한 부분을 가리킬 때 경고, 주의 및 주가 사용됩니다.



경고: 설명서의 지시사항을 준수하지 않을 경우 작업자나 옆에 있던 사람이 부상을 입거나 사망할 위험이 있을 때 사용됩니다.



주의: 설명서의 지시사항을 준수하지 않을 경우 제품, 다른 재료 또는 인접한 지역에서 피해가 발생할 위험이 있을 때 사용됩니다.

주: 주어진 상황에 대한 정보를 추가로 제공할 때 사용됩니다.

일반 안전 지침



경고: 제품을 사용하기 전에 다음 경고 지침을 읽으십시오.

- 제품 및/또는 액세서리가 손상된 경우 승인된 서비스 센터에서 수리해야 합니다. 손상된 제품은 사용하지 마십시오.
- 어린이가 제품을 작동하지 못하게 하십시오. 지침을 숙지하지 않은 사람이 제품을 작동하거나 유지 보수를 수행하지 못하게 하십시오.
- 제품은 감독하에서만 작동해야 합니다.
- 신체적 능력이나 정신 능력이 저하된 상태에서 제품을 사용하는 사람을 항상 모니터링하십시오.
- 어린이가 제품을 가지고 장난하지 않도록 감독해야 합니다.
- 위험한 작업 절차를 사용하지 마십시오.
- 올바른 위치에 필터가 없는 채로 제품을 사용하지 마십시오.
- 다음과 같은 경우 제품의 작동을 멈추고 주전원 플러그를 뽑으십시오.
 - 청소 및 유지 보수 전.
 - 수리하기 전.
 - 해당 영역에 거품 또는 액체가 있는 경우.
- 제품이 연결되어 있을 때는 제품에서 벗어나지 마십시오. 제품이 작동 중이지 않을 때와 유지 보수 전에는 주전원 플러그를 분리하십시오.
- 코드 또는 플러그가 손상된 경우 제품을 사용하지 마십시오. 코드가 아닌 플러그를 잡고 뽑으십시오. 젖은 손으로 플러그 또는 제품을 잡지 마십시오. 플러그를 뽑기 전에 모든 컨트롤을 리셋하십시오.
- 코드로 제품을 당기지 마십시오. 코드를 핸들로 사용하지 마십시오. 코드 위로 문을 닫거나, 날카로운 모서리나 코너 주변에서 코드를 당기지 마십시오. 제품을 코드 위로 이동하지 마십시오. 코드를 뜨거운 표면에서 멀리 두십시오.
- 통풍구 및 움직이는 부품에서 머리카락, 험거운 옷, 손가락 및 모든 신체 부위를 멀리 두십시오. 개구부에 물체를 넣거나 개구부를 막은 채로 사용하지 마

십시오. 개구부에 먼지, 보풀, 머리카락, 그리고 공기의 흐름을 줄일 수 있는 다른 것들이 없어야 합니다.

- WDC 220, WDC 225(으)로 위험한 먼지를 진공 청소하지 마십시오.
- 가솔린 같은 인화성 물질 또는 인화성 액체를 진공 청소하지 마십시오. 그러한 제품이 있을 수 있는 곳에서는 제품을 사용하지 마십시오.
- 담배, 성냥 또는 뜨거운 재처럼 타고 있거나 연기를 내는 물체를 진공 청소하지 마십시오.
- 계단 청소 시 주의하십시오.
- 제품에서 거품이나 액체가 나오면 제품의 작동을 즉시 멈추십시오.
- 제품을 물 펌프로 사용하지 마십시오.
- 제품을 올바르게 접지된 주전원 소켓에 연결하십시오. 소켓 콘센트 및 연장 케이블에는 작동 보호 도체가 있어야 합니다 (이중 절연이 아닌 제품에만 해당).
- 작업 구역에는 공기 흐름이 원활해야 합니다.
- 제품을 사다리 또는 발판 사다리로 사용하지 마십시오.
- 먼지 제거기를 사용할 경우, 진공 청소기에서 배출되는 공기가 실내로 유입될 경우 적절한 속도로 실내에서 공기가 교환

되어야 합니다. 사용하기 전에 국가 규정을 준수하십시오.

- WDC 325L Dust Class L 제품의 경우, 사용 전에 다음 사항을 사용자에게 알리고 교육하십시오.
 - 제품 사용 방법.
 - 수거할 물질의 위험.
 - 수거한 물질의 안전한 폐기.
- WDC 325L Dust Class L 제품의 경우 다음이 적용됩니다.
 - 이 제품은 OEL¹⁾ 값이 1mg/m³ 이상인 건조한 불연성 먼지와 액체, 위험한 먼지를 청소하는 데 사용됩니다. Dust Class L(IEC 60335-2-69). 이 등급의 먼지는 OEL¹⁾ 값이 1mg/m³ 이상입니다.
 - Dust Class L 제품에는 테스트를 통과한 필터 재질이 사용됩니다. 최대 투과도는 1%입니다. 폐기에 대한 특별한 요건은 없습니다.

주: 현지 법률을 참조하십시오. 사용자의 나이가 규제 대상일 수 있습니다.

이중 절연 제품의 안전성



경고: 이 설명서에 명시된 대로 제품을 사용하고 제조업체의 권장 액세서리만 사용하십시오.



경고: 다음은 영국에만 해당합니다. 이중요 지침을 읽으십시오. 이 지침은 안전성과 효율성을 최우선으로 고려하여 작성되었습니다. 사용자는 승인된 강사의 교육을 받아야 하며 작동을 위해 이 지침을 이해해야 합니다. 사용자는 작동 시 시행 중인 모든 관련 규정 및 법규를 알아야 합니다.



경고: 제품을 연결하기 전에 다음을 수행하십시오. 전원 공급 장치의 주전원 전압 및 주전원 주파수가 습식/건식 청소기의 명판의 데이터와 일치하는지 확인하십시오.



경고: 이 제품은 이중 절연이 되어 있습니다. Husqvarna 교체용 부품만 사용하십시오. 이중 절연 제품에 대한 서비스 방법은 지침을 참조하십시오.



경고: 이 제품에는 특수 코드가 있습니다. 코드가 손상된 경우 동일한 유형의 코드로 교체해야 합니다. 이는 승인된 서비스 센터 및 판매점에서 구할 수 있으며 승인된 직원이 장착해야 합니다.



경고: 이중 절연 제품의 서비스에는 시스템에 대한 지식이 필요합니다. 이중 절연 제품에는 접지 대신 두 가지 절연 시스템이 제공됩니다. 이중 절연 제품에는 접지 수단이 제공되지 않으며 기기에 접지 수단을 추가해서도 안 됩니다. 서비스는 승인된 서비스 직원만 수행해야 합니다. 이중 절연 제품의 교체용 부품은 교체하려는 부품과 동일해야 합니다. 이중 절연 제품에는 "DOUBLE INSULATION" 또는 "DOUBLE INSULATED"라는 단어가 표시되어 있습니다. 기호가 제품에 사용될 수도 있습니다.

전기적 안전

- 진공 청소기는 잔류 전류 회로 차단기를 통해 연결하는 것이 좋습니다.
- 보호 등급이 유지되도록 전기 부품(소켓, 플러그 및 커플링)을 정렬하고 연장선을 바닥에 내려 놓으십시오.
- 전원 공급 장치 코드와 연장선의 커넥터와 커플링은 방수여야 합니다.

연장선

- 제조업체에서 지정한 버전이나 더 높은 품질의 버전만 연장선으로 사용하십시오.
- 연장선을 사용할 때는 케이블의 최소 단면적을 확인하십시오.

케이블 길이	단면적	
	< 16 A	< 25 A
< 20 m	1.5mm ²	2.5mm ²
20-50m	2.5mm ²	4.0mm ²



경고: 진공 청소기의 상단 부분에는 전기가 흐르는 구성품이 들어 있습니다.

전기가 흐르는 구성품에 닿으면 심각하거나 치명적인 부상을 입을 수 있습니다.

- 진공 청소기의 상단 부분에 물을 뿌리지 마십시오.



경고: 결함이 있는 주전원 연결 리드로 인한 감전. 결함이 있는 주전원 연결 리드를 만지면 심각하거나 치명적인 부상을 입을 수 있습니다.

- 주전원 리드를 손상시키지 마십시오. 진공 청소기를 리드 위로 타 넘기거나, 리드를 잡아 당기거나 으스러뜨리는 것을 예로 들 수 있습니다.
- 전원 코드가 손상되었거나 노후화된 흔적이 있는지 정기적으로 점검하십시오.
- 전기 케이블이 손상된 경우 위험을 방지하기 위해 공인 Husqvarna 대리점 또는 이와 유사한 자격을 갖춘 사람이 전기 케이블을 교체해야 합니다.
- 어떤 경우에도 전원 공급 장치 코드를 손가락이나 사용자의 신체 일부에 감아서는 안 됩니다.



주의: 기기 소켓(일부 모델에만 해당)은 사용 지침에 정의된 목적으로만 설계되었습니다. 다른 기기를 연

결하면 손상될 수 있습니다.

- 기기를 연결하기 전에 항상 제품 및 연결되는 기기의 작동을 멈추십시오.
- 연결하려는 기기의 사용 지침을 읽고 포함된 안전 지침을 준수하십시오.



주의: 부적절한 주전원 전압으로 인한 손상. 부적절한 주전원 전압에 연결하면 기기가 손상될 수 있습니다.

- 전원 공급 장치의 주전원 전압 및 주전원 주파수가 습식/건식 청소기의 명판의 데이터와 일치하는지 확인하십시오.

작동에 대한 안전 지침

액체 청소 방법



주의: 인화성 액체를 청소하지 마십시오.

- 액체를 청소하기 전에 필터 백을 제거하십시오. 부포 또는 수위 제한 기능이 올바르게 작동하는지 확인하십시오.
- 특수 필터 요소 또는 필터 스크린을 사용하십시오.
- 제품에서 거품이 발생하면 작업을 즉시 중단하고 탱크를 비우십시오.

위험한 물질



경고: 위험한 물질을 청소하지 마십시오. 부상을 초래할 수 있습니다.

- 다음 물질을 청소하지 마십시오.
 - 위험한 먼지
 - 고온 물질(예: 타고 있는 담배 및 뜨거운 재).
 - 인화성, 폭발성, 침식성 액체(예: 가솔린, 용제, 산 및 알칼리).
 - 인화성, 폭발성 분진(예: 마그네슘 또는 알루미늄 분진).

예비 부품 및 액세서리



주의: 제품의 안전을 위해 예비 부품 및 액세서리만 사용하십시오.

- Husqvarna의 예비 부품 및 액세서리만 사용하십시오.
- 제품과 함께 공급되거나 사용자 설명서에 언급된 브러시만 사용하십시오.

폭발성 또는 인화성 대기



주의: 폭발성 또는 인화성 대기에서 제품을 사용하지 마십시오. 인화성 대기를 일으킬 수 있는 액체, 가스 또는 연기 근처에서 제품을 사용하지 마십시오.

블로어 기능



경고: 먼지로 인해 건강상의 문제가 발생할 수 있습니다. 이 제품에는 블로어 기능이 있습니다. 폐쇄 구역에서 배출 공기를 아무렇게나 날려 보내지 마십시오. 블로어 기능은 깨끗한 호스가 있을 때만 사용하십시오.

유지 보수에 대한 안전 지침



경고: 제품을 유지 보수하기 전에 다음 경고 지침을 모두 읽으십시오.

먼지 용기 비우는 방법



주의: 청소된 물질은 환경에 위험할 수 있습니다. 법적 규제를 참고하여 먼지를 버리십시오.

조립



경고: 제품을 조립하기 전에 다음 '안전' 장을 읽고 이해하십시오.

설치 전 작업

1. 걸쇠를 풀고 모터 장치를 들어냅니다. (그림 8)
2. 먼지 용기에서 액세서리를 제거합니다. (그림 9)
3. 모든 부품이 포함되어 있는지 확인합니다. 제품 개요를 참조하십시오. 필요한 공구: 스크루 드라이버

필터 백 장착 방법

1. 메인 스위치를 "0"의 위치에 놓습니다.
2. 제품을 분리합니다. (그림 10)
3. 걸쇠를 풀고 모터 장치를 들어냅니다. (그림 8)
4. 필터 백을 먼지 용기에 넣습니다.
5. 필터 백의 판지 부분을 진공 흡입구에 부착합니다. 고무막이 진공 흡입구의 상승부를 지나가는지 확인합니다. (그림 11)
6. 모터를 먼지 용기 위에 놓고 걸쇠를 잠급니다. (그림 12)

액세서리 부착 방법

1. 쉽게 접근할 수 있도록 액세서리를 제자리에 둡니다. (그림 13)
2. 제품 뒷면에 공구 상자를 부착합니다. (그림 14)
3. 제품 뒷면에 호스와 케이블용 홀더를 부착합니다. (그림 15)

호스 장착 방법

1. 호스를 제품 전면의 진공 흡입구에 넣습니다. (그림 16)
2. 기기를 주전원에 연결합니다.
3. 메인 스위치를 "I"의 위치로 놓습니다. (그림 17)
4. 핸들 또는 메인 스위치로 흡입력을 조절합니다. **일부 모델에서만 가능합니다. (그림 18)

튜브 홀더 장착 방법

1. 연장 튜브에서 튜브 홀더를 수직으로 이동합니다.
2. 스크루 드라이버를 사용하여 튜브 홀더를 연장 튜브의 정확한 높이에 장착합니다. (그림 19)
3. 연장 튜브를 제품 뒷면의 홀더에 고정합니다. (그림 20)

작동

서문



경고: 제품을 사용하기 전에 '안전' 장을 읽고 이해해야 합니다.

제품 시동 방법

제품을 사용하기 전에 명판에 표시된 주파수와 전압이 주전원 전압과 동일하지 확인합니다.

1. 메인 스위치가 "0" 위치에 있는지 확인합니다. (그림 10)
2. 올바른 필터가 제 위치에 있는지 확인합니다.
3. 호스를 제품 전면의 진공 흡입구에 넣습니다. 호스가 진공 흡입구의 제 위치에 단단히 장착될 때까지 호스를 앞으로 밀니다. (그림 16)
4. 두 개의 연장 튜브를 핸들과 연결합니다. 연장 튜브를 비틀어서 제자리에 정확히 놓았는지 확인합니다.
5. 연장 튜브에 노즐을 부착합니다. 청소할 물질의 유형에 따라 노즐을 선택합니다.
6. 플러그를 주전원에 연결합니다.
7. 제품을 시동하려면 메인 스위치를 "I" 위치에 놓습니다. (그림 17)

제품 정지 방법

1. 제품의 작동을 멈추려면 메인 스위치를 '0' 위치에 놓습니다.
2. 플러그를 주전원에서 분리합니다. (그림 10)

송풍 기능 사용 방법

1. 호스를 제품 후면의 개구부에 넣습니다. (그림 21)
2. 플러그를 주전원에 연결합니다.
3. 메인 스위치를 "I"의 위치로 놓습니다. (그림 17)
4. 핸들 또는 메인 스위치로 송풍 출력을 조절합니다. ** 일부 모델에서만 가능합니다. (그림 22)

전동 공구 소켓 사용 방법*

*일부 모델에서만 가능합니다.



주의: 전동 공구 소켓에 연결되는 기기의 사용 지침 및 안전 지침을 준수하십시오.

주: 연결된 공구의 최대 전력 소모량은 섹션 *기술 정보 페이지의 191*에서 설명합니다.

1. 전동 공구의 스위치가 "0" 위치에 있는지 확인합니다. (그림 23)

2. 핸들을 호스에서 분리합니다. 호스 끝(A)의 해치를 누르고 핸들(B)을 당겨 빼냅니다. (그림 24)
3. 전동 공구 어댑터를 연결합니다. (그림 25)
4. 전동 공구 어댑터 또는 메인 스위치로 흡입력을 조절합니다.* *일부 모델에서만 가능합니다. (그림 26)
5. 호스를 제품의 진공 흡입구와 전동 공구에 연결합니다. 전동 공구의 케이블을 제품의 전기 연결부에 연결합니다. (그림 27)
6. 전동 공구의 스위치가 "0" 위치에 있는지 확인합니다. (그림 23)
7. 제품의 메인 스위치를 전동 공구 위치(A)로 돌립니다.
8. 전동 공구의 스위치를 "I" (B)에 놓습니다. (그림 28)

주: 제품(A) 또는 전동 공구(B)의 메인 스위치로 제품을 시동 및 정지할 수 있습니다.

액체 청소 방법

주: 제품에는 최대 액체 수준에서 제품을 통과하는 기류를 차단하는 부표 시스템이 있습니다.



주의: 부표 시스템이 제 위치에 있지 않을 때 액체를 청소하지 마십시오.

1. 필터와 필터 텐션(부표 시스템)이 올바른 위치에 있는지 확인합니다. *필터 교체 방법 페이지의 189*를 참조하십시오. 필터 백이 장착된 경우 제거합니다.
2. 바닥 노즐을 사용하여 액체를 청소합니다.
3. 최대 액체 수준에서는 현저히 변화된 모터 소리가 들립니다. 흡입력이 감소합니다.
4. 제품의 작동을 멈춥니다. *제품 정지 방법 페이지의 187*를 참조하십시오.
5. 먼지 용기를 비웁니다. *액체 수거 후 먼지 용기를 비우는 방법 페이지의 188*를 참조하십시오.

서문



경고: 유지 보수를 수행하기 전에 '안전' 장을 읽고 이해해야 합니다.

제품의 모든 서비스 및 수리 작업을 위해서는 특수 교육이 필요합니다. 당사는 전문 수리 및 서비스 제공을 보장합니다. 판매점이 서비스 대리점이 아닌 경우 판매점에 가까운 서비스 대리점에 대한 정보를 문의하십시오.

정기적인 서비스 및 검사

- 제품의 정기적인 서비스 및 검사는 관련 법 및 규정에 언급된 자격을 갖춘 사람이 수행해야 합니다.
- 접지 연속성, 절연 저항 및 유연한 코드의 상태에 대한 전기적 테스트는 자주 수행해야 합니다.
- 결함이 발견되면 제품 사용을 중단하고 **반드시** 공인 서비스 기술자의 수리를 받아야 합니다.

Dust Class L 제품의 유지 보수

WDC 325L Dust Class L 제품에는 다음 사항이 적용됩니다.

- 유지 보수 및 청소 시에는 유지 보수 담당자 또는 다른 사람을 위해 제품을 안전하게 사용하십시오.
- 유지 보수 영역에서 주의 사항:
 - 규정된 여과 기류를 사용하십시오.
 - 안전복을 사용하십시오.
 - 다른 영역으로 유해한 물질이 빠져 나오지 않도록 유지 보수 영역을 청소하십시오.
- 유지 보수 및 수리 중에 부품을 만족스럽게 청소할 수 없는 경우:

유지 보수

- 부품을 올바르게 밀폐된 자루에 넣으십시오.
- 법규를 참고하여 부품을 버리십시오.

액체 수거 후 먼지 용기를 비우는 방법

1. 제품의 작동을 멈춥니다. *제품 정지 방법 페이지의 187*를 참조하십시오.
2. 호스를 잡아 당겨서 진공 흡입구에서 분리합니다.
3. 걸쇠를 풀고 모터 장치를 들어냅니다. (그림 8)
4. 먼지 용기를 뒤쪽으로 기울여 비우면서 액체가 배출구로 흘러가게 합니다. *일부 모델에서만 적용됩니다. (그림 29)



주의: 액체를 수거하면 항상 먼지 용기와 부표 시스템을 비우고 청소합니다. 제품에 부표 시스템 및 필터가 없으면 액체를 수거하지 마십시오.

5. 모터를 먼지 용기 위에 놓고 걸쇠를 잠급니다. (그림 12)

건조한 물질 수거 후 먼지 용기 비우는 방법

1. 제품의 작동을 멈춥니다. *제품 정지 방법 페이지의 187*를 참조하십시오.
2. 걸쇠를 풀고 모터 장치를 들어냅니다. (그림 8)
3. 필터 백이 가득 찼는지 확인합니다.
4. 필터 백이 가득 찬 경우 제거합니다.



주의: 필터와 필터 백을 제자리에 없는 상태에서 건조한 물질을 수거하지 마십시오.

5. 새 필터 백을 장착합니다. *필터 백 장착 방법 페이지의 187*을 참조하십시오.

주: 제품의 흡입 효율은 필터 및 필터 백의 치수와 폼 질에 따라 달라집니다. Husqvarna 필터와 필터 백만 사용하십시오.

6. 모터를 먼저 옹기 위에 놓고 걸쇠를 잠급니다. (그림 12)

필터 및 필터 청소 시스템 청소 방법

제품에는 반자동 필터 청소 시스템이 있습니다. 필터 청소 시스템을 정기적으로 사용하십시오. 청소 성능이 충분하지 않으면 지체 없이 사용하십시오. 정기적으로 필터 청소 시스템을 사용하면 필터의 수명이 연장됩니다.

1. 흡입력이 더 이상 충분하지 않으면 필터를 청소하십시오. (그림 30)
2. 호스를 제품 전원의 진공 흡입구에 넣습니다. (그림 16)
3. 기기를 주전원에 연결합니다.
4. 메인 스위치를 "I"의 위치로 놓습니다. (그림 17)
5. 손에서 흡입력이 생기도록 핸들을 손에 땁니다.
6. 주먹으로 필터 청소 버튼을 세 번 두들깁니다(B). (그림 31)
7. 흡입력이 충분하지 않으면 필터를 제거합니다. *필터 교체 방법 페이지의 189*을 참조하십시오.
8. 필터를 흔들거나 브러시로 털거나 물로 씻어서 청소합니다.
9. 필터를 말립니다.
10. 필터를 장착합니다. *필터 백 장착 방법 페이지의 187*을 참조하십시오.

제품을 외부에서 청소하는 방법

1. 제품의 작동을 멈춥니다. *제품 정지 방법 페이지의 187*을 참조하십시오.

2. 제품을 마른 천과 소량의 스프레이 광택제로 닦습니다.

필터 교체 방법

이 제품은 연속적인 고강도 작업을 위해 설계되었습니다. 작동 시간에 따라 먼저 필터를 교체해야 합니다.

1. 제품의 작동을 멈춥니다. *제품 정지 방법 페이지의 187*을 참조하십시오.
2. 걸쇠를 풀고 모터 장치를 들어냅니다. (그림 8)
3. 필터 텐션(A)을 시계 반대 방향으로 돌려서 잡아 당깁니다. 필터를 당겨 빼냅니다(B). (그림 32)
4. 새 필터를 장착합니다(A). 필터 텐션을 장착하고(B) 시계 방향으로 돌립니다. (그림 33)
5. 필터와 필터 텐션이 제 위치에 있는지 확인합니다. (그림 34)
6. 모터를 먼저 옹기 위에 놓고 걸쇠를 잠급니다. (그림 12)

필터 백 교체 방법

1. 제품의 작동을 멈춥니다. *제품 정지 방법 페이지의 187*을 참조하십시오.
2. 걸쇠를 풀고 모터 장치를 들어냅니다. (그림 8)
3. 필터 백이 가득 찼는지 확인합니다. 필터 백이 가득 찬 경우 제거합니다.
4. 오래된 필터 백의 판지 부분을 진공 흡입구에서 당깁니다.
5. 필터 백(A)을 들어내서 버립니다.
6. 새 필터 백을 먼저 옹기에 넣습니다(B).
7. 필터 백의 판지 부분을 진공 흡입구에 부착합니다(C). 고무막이 진공 흡입구의 상송부를 지나가는지 확인합니다. (그림 35)
8. 모터를 먼저 옹기 위에 놓고 걸쇠를 잠급니다. (그림 12)

운송, 보관 및 폐기

운반 및 보관

- 사용 후:
 - 제품을 사용하지 않는 경우 플러그를 주전원에서 분리합니다
 - 코드를 제품에서 시작하여 감습니다.
 - 케이블 홀더를 사용하여 모터 장치에 코드를 연결합니다.
 - 호스를 감습니다.
 - 호스 홀더를 사용하여 모터 장치에 호스를 연결합니다.
- 이동:
 - 모터 장치의 모든 걸쇠를 닫습니다.
 - 먼저 옹기에 액체가 있는 경우에는 제품을 기울이지 마십시오.

- 크레인 후크를 사용하여 제품을 들어 올리지 마십시오.

- 보관:
 - 건조하고 서리가 없는 곳에서 제품을 보관하십시오.

제품 재활용 방법

제품을 쓸 수 없게 만들려면 다음 단계를 따르십시오.

1. 플러그를 주전원에서 분리합니다.
2. 전원 코드를 자릅니다.
3. 장치를 일반 쓰레기와 함께 폐기하지 마십시오.

폐기(2012/19/EC에 따름):

제품을 일반 쓰레기에 추가해서는 안 됩니다. 해당 지역의 환경 규제에 따라 폐기해야 합니다.

제품을 지자체 재활용 수거 센터를 통해 폐기해야 합니다.

(그림 5)

기술 정보

기술 정보

	EU/CH		GB		AU/NZ		US
	WDC 220	WDC 325L	WDC 220	WDC 325L	WDC 220	WDC 325L	WDC 225
전압, V	220-240	220-240	220-240	220-240	220-240	220-240	110-120
전력 P_{iec} , W	1000	1200	1000	1000	1000	1000	1000
기기 소켓에 연결된 부하, W	-	2400 /1100	-	1900	-	1300	-
주파수, Hz	50/60				50-60		50/60
퓨즈, A	10	16/10	13	13	10	10	15
보호 범주(습기, 먼지)	IPX4						
보호 등급(전기적)	II (그림 4)	I	II (그림 4)	I	II (그림 4)	I	II (그림 4)
공기 유량, l/min	3600	3700	3600	3600	3600	3600	3200
공기 유량, cfm	127	130	127	127	127	127	113
진공, mbar	210	235	210	210	210	210	210
음압 수준(1m, EN 60704-1, dB(A) +/- 2)	72						
진동 ISO 5349, m/s ² +/- 1	<1,5						
중량(kg)	7,5	8,5	7,5	8,5	7,5	8,5	7,5
너비(mm)	377	376	377	376	377	376	377
깊이(mm)	385	392	385	392	385	392	392
높이(mm)	506	533	506	530	506	530	550

EU 준수 선언문

Husqvarna AB(주소: SE-561 82 Huskvarna, Sweden, 전화: +46-36-146500)는 **Husqvarna WDC 220, 3325L** 진공 청소기가 다음의 위원회 지침에 포함된 요건을 준수함을 선언합니다.

- 2006년 5월 17일 "기계류 관련" **2006/42/EC**
- 2014년 2월 26일 "전자기 호환성 관련" **2014/30/EC**

다음 표준이 적용되었습니다.

EN 60335-1:2012+A11:2014, EN 60335-2-69:2012, EN 55014-1:2006+A1:2009+A2:2011, EN 55014-2:2015, EN 61000-3-2:2014, EN 61000-3-3:2013

별도로 명시되지 않은 경우 위에 나열된 표준은 최신 발행 버전입니다.

Huskvarna, 2018-08-01



Cornelia Ekbladh, 제품 관리 이사

TURINYS

Įvadas.....	193	Techninė priežiūra.....	200
Sauga.....	194	Transportavimas, saugojimas ir utilizavimas.....	201
Surinkimas.....	198	Techniniai duomenys.....	202
Naudojimas.....	199	EB atitikties deklaracija.....	203

Įvadas

Gaminio aprašas

Tai – daugiavfunkcis vakuuminis siurblys, skirtas komercinėms paskirtims.

Naudojimas

Šį gaminį naudokite sausam valymui, nedegioms dulkiams ir skysčiams.

Gaminio apžvalga WDC 220, WDC 225

(Pav. 1)

1. Pagrindinis jungiklis
2. Filtro valymo sistema
3. Siurbimo anga
4. Ratukai
5. Laido laikiklis, žarnos laikiklis
6. Filtro maišelis

Perskaitykite ir vadovaukitės saugos nurodymais bei naudojimo instrukcijomis.

Atlikite tik gamintojo nurodytus gaminio priežiūros ir remonto darbus.

Gamintojas neprisiima jokios atsakomybės už žalą, sukeltą netinkamo naudojimo, netinkamos priežiūros arba netinkamo remonto.

7. Antgalis
8. Rankena
9. Antgalis grindims
10. Antgalis plyšiams
11. Naudojimo instrukcija
12. Ilginimo vamzdis
13. Žarna

Gaminio apžvalga WDC 325L

(Pav. 2)

1. Pagrindinis jungiklis
2. Filtro valymo sistema
3. Siurbimo anga
4. Ratukai
5. Laido laikiklis, žarnos laikiklis
6. Filtro maišelis
7. Antgalis
8. Rankena
9. Antgalis grindims
10. Antgalis plyšiams
11. Naudojimo instrukcija
12. Ilginimo vamzdis
13. Žarna
14. Adapteris varikliniams įrenginiams
15. Elektros jungtis varikliniam įrenginiui
16. Įrankių dėžutė

(Pav. 5) Neišmeskite įrenginio su būtinėmis atliekomis. Laikykitės vietinių reikalavimų.

(Pav. 6) Šis gaminys atitinka taikomas EB direktyvas.

Pasižymėkite: Kiti ant gaminio pateikti simboliai (lipdukai) nurodo kitų komercinių teritorijų sertifikavimo reikalavimus.

L klasės dulkių siurbimo įrenginys

(Pav. 7)

Atsižvelkite į saugos nurodymus ir susijusias priemones, skirtas dulkių siurbimo klasei L.

Atsakomybė už gaminį

Kaip nurodyta atsakomybės už gaminį įstatymuose, mes nesame atsakingi už mūsų gaminio sukeltą žalą, jei:

- gaminys netinkamai suremontuotas;
- gaminys suremontuotas naudojant kito gamintojo arba gamintojo nepatvirtintas dalis;
- gaminys turi kito gamintojo arba gamintojo nepatvirtintą priedą;

Simboliai ant gaminio

(Pav. 3) Prieš naudodami, atidžiai perskaitykite naudotojo instrukciją ir įsitikinkite, kad viską gerai supratote.

(Pav. 4) Įrenginys turi dvigubą izoliaciją.

- gaminys suremontuotas ne patvirtintame techninės priežiūros centre arba jį suremontavo ne patvirtintas atstovas.

Sauga

Saugos ženklų reikšmės

Įspėjimai, perspėjimai ir pastabos yra skirtos atkreipti dėmesį į ypač svarbias vadovo dalis.



PERSPĖJIMAS: Naudojamas, kai naudotojui ar šalia esantiems asmenims kyla mirtino arba sunkaus sužeidimo pavojus arba, jei nesilaikoma vadove pateiktų nurodymų.



PASTABA: Naudojamas, kai kyla pavojus sugadinti gaminį, kitas medžiagas arba padaryti žalą aplinkai, jei nesilaikoma vadove pateiktų nurodymų.

Pasižymėkite: Naudojamas papildomai informacijai apie konkrečią situaciją pateikti.

Bendrieji saugos nurodymai



PERSPĖJIMAS: Prieš naudodami gaminį, perskaitykite toliau esančius įspėjimus.

- Jei gaminys ir (arba) priedas yra pažeistas, jį privalo suremontuoti įgaliotas techninės priežiūros centras. Sugadinto gaminio nenaudokite.
- Neleiskite gaminio naudoti vaikams. Neleiskite gaminio naudoti arba atlikti priežiūros darbus su instrukcijomis nesusipažinusiems asmenims.
- Šio gaminio negalima naudoti be priežiūros.
- Visada prižiūrėkite gaminį naudojantį fizinę arba protinę negalią turintį asmenį.
- Žiūrėkite, kad su gaminiu nežaistų vaikai.
- Nedirbkite pavojingai.
- Nenaudokite gaminio tinkamai įstatytų filtrų.
- Šiose situacijose gaminį išjunkite ir atjunkite nuo maitinimo tinklo:
 - prieš valant ir atliekant priežiūros darbus;
 - prieš remontuojant;
 - jei darbo vietoje yra putų arba skysčio;
- Nepalikite gaminio be priežiūros, kai jis prijungtas prie maitinimo tinklo. Atjunkite kištuką nuo maitinimo tinklo, kai įrenginys nenaudojamas ir prieš atlikdami priežiūros darbus.
- Nenaudokite gaminio, jei pažeistas laidas arba kištukas. Atjungdami traukite už kištuko, ne už laido. Neimkite kištuko arba gaminio šlapiomis rankomis. Prieš atjungdami nuo maitinimo tinklo, išjunkite visus valdiklius.
- Netraukite gaminio už laido. Nenaudokite laido kaip rankenos. Nepriverkite laido durimis ir netraukite laido per

- aštrias briaunas arba kampus. Neužvažiuokite gaminiu ant laido. Saugokite laidą nuo įkaitusių paviršių.
- Laikykite plaukus, palaidus drabužius, pirštus ir visas kūno dalis atokiau nuo angų ir judančių dalių. Nekiškite į ertmes pašalinių daiktų ir nenaudokite, kai užkimšta anga. Tikrinkite, ar angos nėra užkimštos dulkėmis, pūkais, plaukais ir kitomis medžiagomis, dėl kurių gali susilpnėti oro srautas.
 - Naudodami WDC 220, WDC 225 nesiurbkite pavojingų dulkių.
 - Nesiurbkite degių skysčių, pvz., benzino. Nenaudokite gaminio ten, kur gali būti šių medžiagų.
 - Nesiurbkite nieko degančio ar rūkstančio, pvz., cigarečių, degtukų arba pelenų.
 - Ant laiptų siurbkite atsargiau.
 - Jei iš gaminio veržiasi putos arba skystis, nedelsiant jį išjunkite.
 - Nenaudokite gaminio vandeniui siurbti.
 - Prijunkite gaminį prie tinkamai įžeminto maitinimo lizdo. Maitinimo lizdas ir ilginamasis laidas privalo turėti veikianti apsauginį kondensatorių (taikoma tik dvigubai neizoliuotiems gaminiams).
 - Pasirūpinkite, kad darbo vieta būtų gerai vėdinama.
 - Nenaudokite gaminio kaip laiptų arba laiptų pakopos.
 - Kai naudojami dulkių ištraukimo įrenginiai, patalpos oro apykaita turi būti pakankamai sparti, jei iš siurblio išeinantis oras pučiamas į patalpą. Prieš naudodami susipažinkite su vietiniais reglamentais ir jų laikykitės.
 - L klasės dulkių siurbimo gaminių atveju, WDC 325L, prieš naudojimą pasakykite operatoriui ir jį apmokykite:
 - kaip naudoti gaminį;
 - apie pavojų įsiurbti medžiagas;
 - apie saugų įsiurbtų medžiagų utilizavimą.
 - L klasės dulkių siurbimo gaminiams WDC 325L taikomos šios taisyklės:
 - Naudokite gaminį sausam valymui, nedegioms dulkėms ir skysčiams, pavojingoms dulkėms, kurių OEL¹⁾ dydis > 1mg/m³. L klasės dulkių siurbimo gaminiai (IEC 60335-2-69). Šios klasės dulkių siurbimo

gaminiai pasižymi OEL¹⁾ dydžiais > 1mg/m³.

- L klasės dulkių siurbimo gaminiams naudojama testais patikrinta filtravimo medžiaga. Didžiausias praleidžiamų dulkių kiekis yra 1 %. Utilizavimui nekeliami jokie specialūs reikalavimai.



PERSPĖJIMAS: Dvigubai izoliuotų gaminių priežiūrai būtinas sistemos išmanymas. Dvigubai izoliuotuose gaminiuose vietoje įžeminimo naudojamos dvi izoliavimo sistemos. Dvigubai izoliuotame gaminyje nėra įžeminimo priemonių ir prie jo negalima montuoti įžeminimo priemonių. Priežiūros darbus galima atlikti tik įgaliotiems techniniams darbuotojams. Atsarginės dalys dvigubai izoliuotam gaminiui turi būti identiškos originalioms dalims. Dvigubai izoliuotas gaminyje pažymėtas žodžiais „DOUBLE INSULATION“ arba „DOUBLE INSULATED“. Simbolis taip pat gali būti ant gaminio.

Pasižymėkite: Atsižvelkite į vietos įstatymus.

Juose gali būti nustatytas jauniausias amžius, nuo kurio galima naudoti tokius įrenginius.

Dvigubai izoliuotų gaminių sauga



PERSPĖJIMAS: Gaminius naudokite, tik kaip nurodyta šiame vadove ir tik su gamintojo rekomenduojamais priedais.



PERSPĖJIMAS: Taikoma tik JK: Perskaitykite šias svarbias instrukcijas. Šios instrukcijos sudarytos teikiant didžiausią dėmesį jūsų saugai ir darbo našumui. Naudotojas privalo būti apmokytas įgalioto instruktoriaus ir suprasti šias naudojimo instrukcijas. Naudotojas privalo žinoti visus galiojančius su darbu susijusius reglamentus ir įstatymus.



PERSPĖJIMAS: Prieš prijungiant įrenginį: Pasirūpinkite, kad elektros įtampa ir dažnis atitiktų drėgnų/sausų atliekų siurblio parametrų plokštelėje nurodytus duomenis.



PERSPĖJIMAS: Šis gaminyje yra dvigubai izoliuotas. Naudokite tik „Husqvarna“ atsarginės dalis. Žr. instrukcijas, kaip atlikti dvigubai izoliuotų gaminių priežiūrą.



PERSPĖJIMAS: Šis gaminyje turi specialų laidą. Pažeidus laidą, jį būtina pakeisti to paties tipo laidu. Jį galima įsigyti įgaliotuose techninės priežiūros centruose bei atstovybėse ir jį privalo sumontuoti įgaliotieji darbuotojai.

Elektrosauga

- Rekomenduojama vakuuminį siurblių prijungti naudojant likutinėsrovės pertraukiklį.
- Išdėstykite elektrines dalis (lizdus, kištukus ir movas) ir nutieskite ilginimo laidą, kad būtų išlaikyta apsaugos klasė.
- Maitinimo šaltinio kabelių ir ilginimo laidų jungtys ir movos turi būti nepralaidžios vandeniui.

Ilginimo laidas

- Naudokite tik gamintojo nurodytos arba aukštesnės klasės ilginimo laidą.
- Naudodami ilginimo laidą, patikrinkite minimalų laido skersmenį:

Kabelio ilgis	Skersmuo	
	< 16 A	< 25 A
< 20 m	1,5 mm ²	2,5 mm ²
20-50 m	2,5 mm ²	4,0 mm ²



PERSPĖJIMAS: Viršutinėje vakuuminio siurblio dalyje yra dalių, kuriomis teka elektros srovė. Prisilietus prie dalių, kuriomis teka elektros srovė, galima patirti sunkią ar net mirtiną traumą.

- Niekada nepurkškite vandens ant viršutinės vakuuminio siurblio dalies.



PERSPĖJIMAS: Dėl netvarkingo elektros teikimo laido galima patirti elektros smūgį. Palietus netvarkingą maitinimo laidą galima patirti sunkią ar net mirtiną traumą.

- Nepažeiskite maitinimo laido (pvz., per jį pervaziavę, truktelėję arba prispaudę).
- Reguliariai tikrinkite, ar maitinimo laidas nepažeistas arba nenusidėvėjęs.
- Jei pažeistas elektros laidas, siekiant išvengti pavojų, jį privalo pakeisti įgaliotas „Husqvarna“ platintojas arba atitinkamas kvalifikuotas specialistas.
- Maitinimo laido jokia atveju negalima vynioti aplink pirštus arba kitas naudotojo kūno dalis.



PASTABA: Įrenginio lizdas (tik kai kuriuose modeliuose) yra skirta tik naudojimo instrukcijoje nurodytoms paskirtims. Prijungus kitus įrenginius galima sugadinti gaminį.

- Prieš prijungdami įrenginį visada išjunkite gaminį ir jungiamą įrenginį.

- Perskaitykite norimo prijungti įrenginio naudojimo instrukcijas ir laikykitės jose nurodytų saugos pastabų.



PASTABA: Gedimas dėl netinkamos tinklo įtampos. Įrenginį galima sugadinti, jį prijungus prie netinkamos įtampos tinklo.

- Pasirūpinkite, kad elektros įtampa ir dažnis atitiktų drėgnų/sausų atliekų siurblio parametrų plokštelėje nurodytus duomenis.

Naudojimo saugos instrukcijos

Skysčių siurbimas



PASTABA: Nesiurbkite degių skysčių.

- Prieš siurbdami skysčius, išimkite filtro maišelį. Patikrinkite, ar plūduras arba vandens lygio ribotuvas veikia tinkamai.
- Naudokite specialų filtro elementą arba filtro tinklėlį.
- Jei iš gaminio pradeda veržtis putos, nedelsiant nutraukite darbą ir ištuštinkite bakelį.

Pavojingos medžiagos



PERSPĖJIMAS: Nesiurbkite pavojingų medžiagų. Tai kelia pavojų susižaloti.

- Nesiurbkite šių medžiagų:
 - pavojingų dulkių;
 - karštų medžiagų, pvz., smilkstančių cigarečių ir karštų pelenų;
 - degių, sprogių, ėsdinančių skysčių, pvz., benzino, skiediklių, rūgščių ir šarmų;
 - degių, sprogių dulkių, pvz., magnio arba aliuminio dulkių.

Atsarginės dalys ir priedai



PASTABA: Naudokite tik „i“ atsargines dalis ir priedus, kad gaminio būtų naudotis saugu.

- Naudokite „Husqvarna“ atsargines dalis ir priedus.
- Naudokite tik prie gaminio priedamus arba naudojimo instrukcijoje nurodytus šepetčius.

Sprogi arba degi aplinka



PASTABA: Nenaudokite gaminio sprogioje arba degioje aplinkoje. Nenaudokite gaminio greta skysčių, dujų arba garų dėl kurių aplinka gali tapti degi.

Pūstuvo funkcija



PERSPĖJIMAS: Dulkės gali sukelti sveikatos problemų. Gaminys turi pūstuvo funkciją. Uždarose patalpose atsakingai nukreipkite pučiamo srovę. Pūstuvo funkciją įjunkite tik esant švariai žarnai.

Surinkimas



PERSPĖJIMAS: Prieš surinkdami gaminį perskaitykite ir supraskite skyrių apie saugą.

Prieš montavimą

1. Atkabinkite sagtis ir iškelkite variklio modulį. (Pav. 8)
2. Atjunkite priedus nuo nešvarumų talpyklos. (Pav. 9)
3. Įsitinkite, kad yra visos dalys. Žr. gaminio apžvalgą. Būtinai įrankiai: Atsuktuvas.

Filtro maišelio įdėjimas

1. Pagrindinį jungiklį perjunkite į padėtį „0“.
2. Atjunkite gaminį. (Pav. 10)
3. Atkabinkite sagtis ir iškelkite variklio modulį. (Pav. 8)
4. Įdėkite filtro maišelį į nešvarumų talpyklą.
5. Kartoninę filtro maišelio dalį prijunkite prie įsiurbimo angos. Įsitinkite, kad guminė membrana apgaubia įsiurbimo angos iškyšą. (Pav. 11)
6. Uždėkite variklio modulį ant nešvarumų talpyklos ir užkabinkite sagtis. (Pav. 12)

Priedų tvirtinimas

1. Kad priedus būtų lengviau pasiekti, pritvirtinkite juos savo vietose. (Pav. 13)

Priežiūros saugos instrukcijos



PERSPĖJIMAS: Prieš atlikdami gaminio techninę priežiūrą, perskaitykite visus toliau esančius įspėjimus.

Nešvarumų talpyklos ištuštinimas



PASTABA: Susiurbta medžiaga gali kenkti aplinkai. Nešvarumus utilizuokite atsižvelgdami į teisinius reglamentus.

2. Pakabinkite įrankių dėžutę gaminio gale. (Pav. 14)
3. Pritvirtinkite laido ir žarnos laikiklį gaminio gale. (Pav. 15)

Žarnos prijungimas

1. Įstatykite žarna į siurbimo angą gaminio priekyje. (Pav. 16)
2. Prijunkite įrenginį prie maitinimo tinklo.
3. Pagrindinį jungiklį perjunkite į padėtį „I“. (Pav. 17)
4. Pareguliuokite siurbimo galią ant rankenos arba naudodami pagrindinį jungiklį*. *Tik kai kuriuose modeliuose. (Pav. 18)

Vamzdžio laikiklio montavimas

1. Paslinkite vamzdžio laikiklį aukštyn ilginimo vamzdžiu.
2. Atsuktuvu priveržkite vamzdžio laikiklį tinkamame ilginimo vamzdžio aukštyje. (Pav. 19)
3. Įstatykite vamzdžio laikiklius gaminio gale. (Pav. 20)

Naudojimas

Įvadas



PERSPĖJIMAS: Prieš naudodami gaminį perskaitykite ir supraskite saugos skyriaus informaciją.

Gaminio paleidimas

Prieš naudodami gaminį, įsitinkinkite, kad gaminio nominalių parametrų plokštelėje nurodytas dažnis ir įtampa, atitinka maitinimo tinklo įtampą.

1. Pagrindinis jungiklis turi būti padėtyje „0“. (Pav. 10)
2. Patikrinkite ar gaminyje yra visi reikiami filtrai.
3. Įstatykite žarna į siurbimo angą gaminio priekyje. Stumkite žarną gilyn, kol ji tvirtai užsifiksuos siurbimo angoje. (Pav. 16)
4. Sujunkite du ilginimo vamzdžius su rankena. Pasukite vamzdžius, kad jų padėtis būtų tinkama.
5. Prie ilginimo vamzdžio prijunkite antgalį. Antgalį pasirinkite atsižvelgdami į siurbiamą medžiagą.
6. Prijunkite kištuką prie maitinimo lizdo.
7. Norėdami paleisti gaminį, pagrindinį jungiklį perjunkite į padėtį „I“. (Pav. 17)

Gaminio sustabdymas

1. Norėdami išjungti gaminį, pagrindinį jungiklį perjunkite į padėtį „0“.
2. Atjunkite kištuką nuo maitinimo tinklo. (Pav. 10)

Pūstuvo funkcijos naudojimas

1. Įstatykite žarna į angą gaminio gale. (Pav. 21)
2. Prijunkite kištuką prie maitinimo lizdo.
3. Pagrindinį jungiklį perjunkite į padėtį „I“. (Pav. 17)
4. Pareguliuokite pūtimo galią ant rankenos arba naudodami pagrindinį jungiklį*. *Tik kai kuriuose modeliuose. (Pav. 22)

Variklinių įrankių lizdo naudojimas*

*Tik kai kuriuose modeliuose.



PASTABA: Vadovaukitės prie variklinių įrankių lizdo prijungtų įrenginių naudojimo instrukcijomis ir saugos nurodymais.

Pasižymėkite: Didžiausios prijungto įrankio energijos sąnaudos nurodytos *Techniniai duomenys psl. 202.*

1. Įsitinkinkite, kad variklinio įrankio jungiklis yra padėtyje „0“. (Pav. 23)
2. Atjunkite rankeną nuo žarnos. Spustelėkite žarnos gale esančius fiksatarius (A) ir ištraukite rankeną. (Pav. 24)
3. Prijunkite variklinio įrankio adapterį. (Pav. 25)
4. Pareguliuokite siurbimo galią ant variklinio įrankio adapterio arba naudodami pagrindinį jungiklį*. *Tik kai kuriuose modeliuose. (Pav. 26)
5. Prijunkite žarną prie gaminio siurbimo angos ir prie variklinio įrankio. Prijunkite variklinio įrankio laidą prie gaminio elektros lizdo. (Pav. 27)
6. Įsitinkinkite, kad variklinio įrankio jungiklis yra padėtyje „0“. (Pav. 23)
7. Pasukite gaminio pagrindinį jungiklį į variklinio įrankio padėtį (A).
8. Perjunkite variklinio įrankio jungiklį į padėtį „I“ (B). (Pav. 28)

Pasižymėkite: Gaminį galite įjungti ir išjungti, naudodami gaminio (A) arba variklinio įrankio (B) pagrindinį jungiklį.

Skysčio siurbimas

Pasižymėkite: Gaminys turi plūdūrą, kuris sustabdo gaminio oro srautą, kai pasiekiamas didžiausias skysčio lygis.



PASTABA: Nesiurbkite skysčio be plūdūro sistemos.

1. Patikrinkite, ar įstatytas filtras ir filtro tempiklis (plūdūro sistema), žr. *Filtro keitimas psl. 201.* Jei įstatytas filtro maišelis, ištraukite jį.
2. Skysčiams siurbti naudokite grindų antgalį.
3. Kai pasiekiamas didžiausias skysčio lygis, variklio garsas gerokai pakinta. Sumažėja siurbimo galia.
4. Išjunkite gaminį, žr. *Gaminio sustabdymas psl. 199.*
5. Ištuštinkite nešvarumų talpyklą, žr. *Nešvarumų talpyklos ištuštinimas po skysčio siurbimo psl. 200.*

Techninė priežiūra

Įvadas



PERSPĖJIMAS: Prieš atlikdami priežiūros darbus perskaitykite ir supraskite saugos skyriaus informaciją.

Visiems gaminio techninės priežiūros ir remonto darbams reikia specialių apmokymų. Garantuojame profesionalaus remonto ir techninės priežiūros darbų pasiekiamumą. Jei jūsų pardavėjas nėra techninės priežiūros atstovas, paprašykite jo informacijos apie artimiausią techninės priežiūros atstovą.

Reguliari priežiūra ir tikrinimas.

- Reguliariai gaminio priežiūra ir tikrinimą turi atlikti kvalifikuoti darbuotojai, laikydamiesi susijusių įstatymų ir reglamentų.
- Būтина dažnai tikrinti žemėminio vientisumą, izoliacijos varžą ir lankstaus laido būklę.
- Pastebėjus defektą gaminio **nebegalima** naudoti ir jį būtina sutaisyti įgaliotam techninės priežiūros specialistui.

L klasės dulkių siurbimo gaminio techninė priežiūra

Tolesnė informacija taikoma L klasės dulkių siurbimo gaminiams, WDC 325L.

- Atlikdami techninę priežiūrą ir siurbdami, gaminį naudokite nekeldami grėsmės techninės priežiūros darbuotojams ir aplinkiniams.
- Techninės priežiūros patalpoje:
 - būtinai naudokite filtruota oro srautą;
 - dėvėkite apsauginius drabužius;
 - pasirūpinkite techninės priežiūros patalpos švara, kad į kitas patalpas nepatektų kenksmingų medžiagų.
- Jei atliekant techninę priežiūrą ir remontą nepavyksta gerai nuvalyti dalių:
 - sudėkite dalis į sandarius maišelius;
 - dalis utilizuokite atsižvelgdami į teisinius reglamentus.

Nešvarumų talpyklos ištuštinimas po skysčio siurbimo

1. Išjunkite gaminį, žr. *Gaminio sustabdymas psl. 199*.
2. Ištraukite žarną iš siurbimo angos.
3. Atkabinkite sagtis ir iškelkite variklio modulį. (Pav. 8)
4. Ištuštinkite nešvarumų talpyklą paverdami ją atgal ir supildami skystį į nuotekų kolektorių grindyse. * Rankeną turi tik kai kurie modeliai. (Pav. 29)



PASTABA: Po skysčio siurbimo visada ištuštinkite ir išvalykite nešvarumų talpą ir plūduru sistemą. Nesiurbkite skystį, jei gaminyje nėra plūduru sistemos ir filtro.

5. Uždėkite variklio modulį ant nešvarumų talpyklos ir užkabinkite sagtis. (Pav. 12)

Nešvarumų talpyklos ištuštinimas po sausų medžiagų siurbimo

1. Išjunkite gaminį, žr. *Gaminio sustabdymas psl. 199*.
2. Atkabinkite sagtis ir iškelkite variklio modulį. (Pav. 8)
3. Patikrinkite, ar filtro maišelis dar ne pilnas.
4. Jei filtro maišelis yra pilnas, ištraukite jį.



PASTABA: Nesiurbkite sausų medžiagų be filtro ir filtro maišelio.

5. Įdėkite naują filtro maišėlį, žr. *Filtro maišelio įdėjimas psl. 198*.

Pasižymėkite: Gaminio siurbimo našumas priklauso nuo filtro ir filtro maišelio matmenų ir kokybės. Naudokite tik „Husqvarna“ filtrą ir filtro maišelius.

6. Uždėkite variklio modulį ant nešvarumų talpyklos ir užkabinkite sagtis. (Pav. 12)

Filtro ir filtro valymo sistemos valymas

Gaminys turi pusiau automatinę filtro valymo sistemą. Reguliariai naudokite filtro valymo sistemą arba bent kai nebeapakanka siurbimo našumo. Reguliariai naudojant filtro valymo sistemą filtrą tarnauja ilgiau.

1. Išvalykite filtrą, kai nebeapakanka siurbimo galios. (Pav. 30)
2. Įstatykite žarną į siurbimo angą gaminio priekyje. (Pav. 16)
3. Prijunkite įrenginį prie maitinimo tinklo.
4. Pagrindinį jungiklį perjunkite į padėtį „I“. (Pav. 17)
5. Paimkite rankeną (A) ir priglauskite vamzdį sau prie delno.
6. 3 kartus trinktelėkite filtro valymo mygtuką kumščiu (B). (Pav. 31)
7. Jei siurbimo galios nepakanka, išimkite filtrą, žr. *Filtro keitimas psl. 201*.
8. Pakratykite, nuvalykite arba išplaukite filtrą, kad jis būtų švarus.
9. Palaukite, kol filtras išdžius.
10. Įstatykite filtrą, žr. *Filtro maišelio įdėjimas psl. 198*.

Gaminio valymas iš išorės

1. Išjunkite gaminį, žr. *Gaminio sustabdymas psl. 199*.
2. Nuvalykite gaminį sausa šluoste ir nedideliu kiekiu purškiamos poliravimo priemonės.

Filtro keitimas

Šis gaminys skirtas nuolatiniam intensyviai darbui. Atsižvelgiant į veikimo valandų skaičių reikia pakeisti dulkių filtrą.

1. Išjunkite gaminį, žr. *Gaminio sustabdymas psl. 199*.
2. Atkabinkite sagtis ir iškelkite variklio modulį. (Pav. 8)
3. Pasukite filtro tempiklį (A) prieš laikrodžio rodyklę ir ištraukite. Ištraukite filtrą. (Pav. 32)
4. Įstatykite naują filtrą (A). Įstatykite filtro tempiklį (B) ir pasukite pagal laikrodžio rodyklę. (Pav. 33)
5. Patikrinkite, ar filtras ir filtro tempiklis įstatyti į savo vietą. (Pav. 34)

6. Uždėkite variklio modulį ant nešvarumų talpyklos ir užkabinkite sagtis. (Pav. 12)

Filtro maišelio keitimas

1. Išjunkite gaminį, žr. *Gaminio sustabdymas psl. 199*.
2. Atkabinkite sagtis ir iškelkite variklio modulį. (Pav. 8)
3. Patikrinkite, ar filtro maišelis dar ne pilnas. Jei filtro maišelis yra pilnas, ištraukite jį.
4. Kartoninę seno filtro maišelio dalį atskirkite nuo įsiurbimo angos.
5. Iškelkite filtro maišelį (A) ir jį utilizuokite.
6. Įdėkite naują filtro maišelį į nešvarumų talpyklą (B).
7. Kartoninę filtro maišelio dalį prijunkite prie įsiurbimo angos (C). Įsitikinkite, kad guminė membrana apgaubia įsiurbimo angos iškyšą. (Pav. 35)
8. Uždėkite variklio modulį ant nešvarumų talpyklos ir užkabinkite sagtis. (Pav. 12)

Transportavimas, saugojimas ir utilizavimas

Gabenimas ir laikymas

- Po naudojimo:
 - Nenaudojamo gaminio kištuką atjunkite nuo maitinimo lizdo.
 - Susukite laidą, pradėdami nuo gaminio.
 - Pakabinkite laidą ant laido laikiklio prie variklio modulio.
 - Susukite žarną.
 - Pakabinkite žarną ant žarnos laikiklio prie variklio modulio.
- Gabenimas:
 - Prisekite visas sagtis prie variklio modulio.
 - Nepaverskite gaminio, jei nešvarumų talpykloje yra skysčio.
 - Nekeikite gaminio gervės kabliu.
- Laikymas
 - Laikykite gaminį sausoje neužšalancioje vietoje.

Gaminio perdirbimas

Atlikite šiuos veiksmus, kad gaminys taptų nebenaudojamas.

1. Atjunkite kištuką nuo maitinimo tinklo.
2. Nukirpkite maitinimo laidą.
3. Neišmeskite gaminio su buitinėmis atliekomis.

Utilizavimas (atsižvelgiant į 2012/19/EB):

Gaminio negalima išmesti kartu su įprastomis buitinėmis atliekomis. Jį būtina utilizuoti pagal vietinius aplinkosaugos reikalavimus.

Pasirūpinkite, kad gaminys būtų utilizuotas vietos atliekų surinkimo centre.

(Pav. 5)

Techniniai duomenys

Techniniai duomenys

	ES / CH		JK		AU / NZ		JAV
	WDC 220	WDC 325L	WDC 220	WDC 325L	WDC 220	WDC 325L	WDC 225
Įtampa, V	220–240	220–240	220–240	220–240	220–240	220–240	110-120
Galia P_{iec} , W	1 000	1 200	1 000	1 000	1 000	1 000	1 000
Įrenginio lizdo prijungtoji apkrova, W	-	2400 /1100	-	1900	-	1 300	-
Dažnis, Hz	50 / 60				50–60		50 / 60
Saugikliai, A	10	16 / 10	13	13	10	10	15
Apsaugos kategorija (drėgmė, dulksė)	IPX4						
Apsaugos klasė (elekt-ra)	II (Pav. 4)	I	II (Pav. 4)	I	II (Pav. 4)	I	II (Pav. 4)
Oro tūrio srautas, l/min	3600	3 700	3600	3600	3600	3600	3 200
Oro tūrio srautas, kub. pėd./min	127	130	127	127	127	127	113
Siurbimas, mbar	210	235	210	210	210	210	210
Garsinio slėgio lygis, esant 1 m, EN 60704-1, dB(A) +/- 2	72						
Vibracijos ISO 5349, m/s ² +/- 1	<1,5						
Svoris, kg	7,5	8,5	7,5	8,5	7,5	8,5	7,5
Plotis, mm	377	376	377	376	377	376	377
Gylis, mm	385	392	385	392	385	392	392
Aukštis, mm	506	533	506	530	506	530	550

EB atitikties deklaracija

EB atitikties deklaracija

„Husqvarna AB“, SE-561 82 Huskvarna, Švedija, tel.
+46-36-146500, pareiškia, kad **vakuuminis siurblys**
Husqvarna WDC 220, 3325L ir atitinka reikalavimus
TARYBOS DIREKTYVOS:

- 2006 m. gegužės 17 d. direktyvos **2006/42/EB** dėl mašinų;
- 2014 m. vasario 26 d. direktyvos **2014/30/ES** dėl elektromagnetinio suderinamumo;

Pritaikyti tokie standartai:

EN 60335-1:2012+A11:2014, EN 60335-2-69:2012, EN
55014-1:2006+A1:2009+A2:2011, EN 55014-2:2015,
EN 61000-3-2:2014, EN 61000-3-3:2013

Jei nenurodyta kitaip, taikomos naujausios paskelbtos
nurodytų standartų versijos.

Huskvarna, 2018-08-01



Cornelia Ekbladh, Gamybos vadovė

Saturs

Ievads.....	204	Apkope.....	211
Drošība.....	205	Pārvadāšana, glabāšana un utilizēšana.....	212
Montāža.....	209	Tehniskie dati.....	214
Lietošana.....	210	EK atbilstības deklarācija.....	215

Ievads

Izstrādājuma apraksts

Šis izstrādājums ir daudzfunkcionāls komerciālai lietošanai paredzēts putekļu sūcējs.

Paredzētā lietošana

Izmantojiet putekļu sūcēju sausu un neuzliesmojošu putekļu un šķidrumu uzkopšanai.

Izlasiet un ievērojiet drošības instrukcijas un norādījumus lietotājam.

Veiciet tikai ražotāja norādīto putekļu sūcēja apkopi un labošanu.

Ražotājs neuzņemas atbildību par bojājumiem, kuru cēlonis ir neatbilstoša lietošana, apkope vai labošana.

Pārskats par izstrādājumu WDC 220, WDC 225

(Att. 1)

1. Galvenais slēdzis
2. Filtra tīrīšanas sistēma
3. Vakuumsūkšanas iepļūdes atvere
4. Riteņi
5. Kabeļa un šļūtenes turētājs
6. Filtra maiss

7. Sprausla
8. Rokturis
9. Grīdas uzgalis
10. Uzgalis spraugu tīrīšanai
11. Lietošanas rokasgrāmata
12. Pagarinājuma caurule
13. Šļūtene

Pārskats par izstrādājumu WDC 325L

(Att. 2)

1. Galvenais slēdzis
2. Filtra tīrīšanas sistēma
3. Vakuumsūkšanas iepļūdes atvere
4. Riteņi
5. Kabeļa un šļūtenes turētājs
6. Filtra maiss
7. Sprausla
8. Rokturis
9. Grīdas uzgalis
10. Uzgalis spraugu tīrīšanai
11. Lietošanas rokasgrāmata
12. Pagarinājuma caurule
13. Šļūtene
14. Elektriskā darbarīka strāvas adapteris
15. Elektriskā darbarīka elektriskais savienojums
16. Rīku kaste

(Att. 5) Ierīci nedrīkst izmest sadzīves atkritumos. Ievērojiet vietējos noteikumus.

(Att. 6) Šis izstrādājums atbilst piemērojamo EK direktīvu prasībām.

Piezīme: Pārējie uz izstrādājuma norādītie simboli/uzlīmes attiecas uz citu tirdzniecības nozaru prasībām.

L klases putekļu uzkopšana

(Att. 7)

Ievērojiet ieteikumus par drošību un ar L klases putekļiem saistītos pasākumus.

Atbildība par izstrādājuma kvalitāti

Saskaņā ar likumiem par izstrādājuma kvalitāti mēs neuzņemamies atbildību par bojājumiem, ko radījis mūsu izstrādājums, ja:

- ir veikts nepareizs izstrādājuma remonts;
- izstrādājuma remonts ir veikts, izmantojot detaļas, ko nav nodrošinājis vai apstiprinājis ražotājs;
- izstrādājumam tiek pievienots piederums, ko nav nodrošinājis vai apstiprinājis ražotājs;

Simboli uz izstrādājuma

(Att. 3) Rūpīgi izlasiet šo lietotāja rokasgrāmatu un pirms izstrādājuma lietošanas pārliecinieties, vai izprotat instrukcijas.

(Att. 4) Ierīce ir aprīkota ar dubultu izolāciju.

- izstrādājuma remonts nav veikts pilnvarotā remontdarbnīcā vai pie pilnvarota speciālista.

Drošība

Drošības definīcijas

Brīdinājumi, norādes "Uzmanību!" un piezīmes tiek izmantotas, lai izceltu īpaši svarīgas lietotāja rokasgrāmatas daļas.



BRĪDINĀJUMS: Tiek izmantota tad, ja rokasgrāmatā sniegto instrukciju neievērošanas dēļ operatoram vai blakus esošajām personām draud traumu vai nāves risks.



IEVĒROJIET: Tiek izmantota tad, ja rokasgrāmatā sniegto instrukciju neievērošanas dēļ rodas izstrādājuma, citu materiālu vai blakus esošās teritorijas bojājuma risks.

Piezīme: Tiek izmantota, lai sniegtu plašāku informāciju, kas nepieciešama attiecīgajā situācijā.

Vispārīgi norādījumi par drošību



BRĪDINĀJUMS: Pirms izstrādājuma lietošanas izlasiet tālāk izklāstītās brīdinājuma instrukcijas.

- Ja ir radušies ierīces un/vai piederumu bojājumi, to labošana jāveic apstiprinātā tehniskā atbalsta centrā. Nelietojiet bojātu izstrādājumu.
- Neļaujiet bērniem lietot šo izstrādājumu. Neļaujiet ierīci lietot un veikt tās apkopi personai, kas nav iepazinusies ar lietošanas norādījumiem.
- Ierīci ekspluatēšanas laikā nedrīkst atstāt bez uzraudzības.
- Ja izstrādājumu izmanto persona ar samazinātām fiziskajām vai garīgajām spējām, vienmēr uzraugiet šo personu.
- Uzraugiet, lai bērni nekādā gadījumā nespēlējas ar ierīci.
- Neizmantojiet bīstamas darba procedūras.
- Ierīci drīkst izmantot tikai ar pareizā vietā ievietotiem filtriem.
- Izslēdziet ierīci un atvienojiet spraudni no elektroapgādes rozetes šādos gadījumos:
 - pirms tīrīšanas un apkopes veikšanas;
 - pirms remontdarbu veikšanas;
 - ja tuvumā ir putas vai šķidrums.
- Ierīci nedrīkst atstāt bez uzraudzības, ja tā ir ieslēgta. Atvienojiet spraudni no elektroapgādes rozetes, ja ierīce netiek izmantota vai pirms apkopes veikšanas.
- Ierīci nedrīkst izmantot, ja vads vai spraudnis ir bojāts. Atvienojot ierīci, satveriet spraudni, nevis vadu. Nesatveriet spraudni vai ierīci ar slapjām rokām. Pirms atvienošanas atgrieziet

- visas vadības ierīces sākuma stāvoklī.
- Nevelciet ierīci, satverot tās vadu. Nelietojiet vadu kā rokturi. Neiespiediet vadu, aizverot durvis, vai nevelciet to ap asām malām vai stūriem. Nepārvietojiet ierīci virs vada. Vads nedrīkst saskarties ar karstām virsmām.
 - Atveru un kustīgu detaļu tuvumā nedrīkst atrasties mati, vaļņi, apģērbs, pirksti un jebkādas citas ķermeņa daļas. Neievietojiet atverēs priekšmetus vai nelietojiet ierīci, ja atveres ir aizsegtas. Nodrošiniet, lai atverēs nav putekļu, auduma šķiedru, matu un jebkādu citu objektu, kas var ierobežot gaisa plūsmu.
 - Neizmantojiet putekļu sūcēju WDC 220, WDC 225 bīstamu putekļu uzkopšanai.
 - Neizmantojiet putekļu sūcēju uzliesmojošu vielu vai šķidrums, piemēram, benzīna, uzkopšanai. Neizmantojiet putekļu sūcēju vietās, kur var būt šādi produkti.
 - Neveiciet tādu produktu uzkopšanu, kas deg vai dūmo, piemēram, cigaretes, sērskociņi vai karsti pelni.
 - Ievērojiet piesardzību, uzkopjot trepju telpas.
 - Ja no putekļu sūcēja izdalās putas vai šķidrums, nekavējoties izslēdziet to.
 - Nelietojiet putekļu sūcēju kā ūdens sūkni.
 - Pievienojiet putekļu sūcēju pareizi saņemtai elektroapgādes rozetei. Izejas rozetei un pagarinājuma kabelim jābūt aprīkotam ar darba aizsargvadu (nosacījums attiecas tikai uz ierīcēm bez dubultās izolācijas).
 - Pārlicinieties, vai darba zonā ir laba gaisa plūsma.
 - Neizmantojiet putekļu sūcēju kā kāpnes vai redeļkāpnes.
 - Ja tiek izmantoti putekļu noņēmēji, gaisa apmaiņas ātrumam telpā ir jābūt adekvātam, ja izplūdes gaiss no putekļu sūcēja tiek pūsts telpā. Pirms lietošanas nodrošiniet vietējo noteikumu ievērošanu.
 - Pirms putekļu sūcēju L klases putekļu uzkopšanai, WDC 325L, lietošanas informējiet un apmāciet operatoru par šādiem jautājumiem:
 - putekļu sūcēja lietošana;
 - ar iesūktajiem materiāliem saistītie riski;
 - iesūkto materiālu droša utilizēšana.

- Uz putekļu sūcējiem L klases putekļu uzkopšanai, WDC 325L, attiecas tālāk norādītie nosacījumi.

- Izmantojiet putekļu sūcēju sausu un neuzliesmojošu putekļu un šķidrums, kā arī bīstamu putekļu uzkopšanai ar OEL¹⁾ vērtību > 1 mg/m³. L klases putekļi (IEC 60335-2-69). Šīs kases putekļu OEL¹⁾ vērtība ir > 1 mg/m³.
- Putekļu sūcēji L klases putekļu uzkopšanai ir aprīkoti ar pārbaudītu filtra materiālu. Maksimālais caurlaidības līmenis ir 1%. Uz utilizēšanu neattiecas īpašas prasības.

Piezīme: Skatiet vietējo tiesību aktu prasības. Tās var noteikt operatora vecumu.

Drošības pasākumi attiecībā uz ierīcēm ar dubulto izolāciju



BRĪDINĀJUMS: Lietojiet ierīci tikai tā, kā ir norādīts šajā rokasgrāmatā, un tikai kopā ar ražotāja ieteiktajiem piederumiem.



BRĪDINĀJUMS: Attiecas tikai uz Apvienoto Karalisti. Izlasiet šos svarīgos norādījumus. Šie norādījumi ir sagatavoti, īpašu uzmanību pievēršot drošībai un efektivitātei. Operatoram jāsaņem kvalificēta instruktoru nodrošināta apmācība, un viņam šīs ekspluatācijas instrukcijas ir jāizprot. Operatoram ierīces ekspluatācijas brīdī ir jāpārzina visi attiecīgie noteikumi un spēkā esošie normatīvie akti.



BRĪDINĀJUMS: Pirms izstrādājuma pievienošanas veiciet tālāk norādītās

darbības. Pārliecinieties, vai elektroapgādes tīkla spriegums un frekvence atbilst datiem mitrā/sausā putekļu sūcēja datu plāksnītē.



BRĪDINĀJUMS: Šis putekļu sūcējs ir aprīkots ar dubultu izolāciju. Izmantojiet tikai Husqvarna rezerves daļas. Lai iegūtu informāciju par to, kā veikt ierīču ar dubulto izolāciju apkopi, skatiet norādījumus.



BRĪDINĀJUMS: Putekļu sūcēja komplektācijā ir īpašs vads. Ja vads ir bojāts, tas jānomaina ar tāda paša tipa vadu. Tas ir pieejams apstiprinātos tehniskā atbalsta centros un pie izplatītājiem, un tā uzstādīšanu jāveic kvalificētam darbiniekam.



BRĪDINĀJUMS: Lai varētu veikt ierīču ar dubultu izolāciju apkopi, ir nepieciešamas zināšanas par sistēmu. Zemējuma vietā ierīces ar dubultu izolāciju ir aprīkotas ar divām izolācijas sistēmām. Izstrādājumam ar dubulto izolāciju nav zemējuma; neuzstādi izstrādājumam zemējumu. Apkopi drīkst veikt tikai kvalificēts apkopes dienesta darbinieks. Ierīces ar dubultu izolāciju rezerves daļām jābūt identiskām aizstājamajām detaļām. Ierīce ar dubultu izolāciju ir marķēta ar tekstu "DOUBLE INSULATION" (Dubulta izolācija) vai "DOUBLE INSULATED" (Dubults izolējums). Simbols var tikt izmantots arī uz produkta.

Elektrodrošība

- Putekļu sūcēja pievienošanai ir ieteicams izmantot paliekošu elektroapgādes ķēdes pārtraucēju.
- Organizējiet elektrodaļas (rozetes, spraudņus un savienotājdetaļas) un novietojiet uz zemes pagarinājuma kabeli tā, lai tiek ievēroti aizsardzības klases nosacījumi.
- Elektroapgādes vadu un pagarinājuma kabeļu savienotājiem un savienotājdetaļām jābūt ūdensnecaurīdīgām.

Pagarinājuma kabelis

- Izmantojiet tikai ražotāja norādīto vai augstākas kvalitātes pagarinājuma kabeļa versiju.
- Ja tiek izmantots pagarinājuma kabelis, pārbaudiet tā minimālo šķēsgriezumu.

Kabeļa garums	Šķēsgriezums	
	< 16 A	< 25 A
< 20 m	1,5 mm ²	2,5 mm ²
20-50 m	2,5 mm ²	4,0 mm ²



BRĪDINĀJUMS: Putekļu sūcēja augšdaļā atrodas komponenti, kas ir savienoti ar barošanas avotu. Saskare ar komponentiem, kas ir savienoti ar barošanas avotu, izraisa nopietnas un pat letālas traumas.

- Nekādā gadījumā nedrīkst izsmidzināt ūdeni uz putekļu sūcēja augšdaļas.



BRĪDINĀJUMS: Strāvas trieciena draudi bojāta savienojuma ar elektroapgādes avotu kabeļa dēļ. Saskare ar bojātu savienojuma ar elektroapgādes avotu kabeli var izraisīt nopietnas vai pat letālas traumas.

- Nedrīkst radīt elektroapgādes kabeļa bojājumus (piemēram, uzbraucot uz kabeļa, velkot vai saspiežot to).
- Regulāri pārbaudiet, vai strāvas padeves vads nav bojāts, kā arī vai nav redzamas nolietojuma pazīmes.
- Ja strāvas padeves kabelis ir bojāts, pilnvarotam Husqvarna

izplatītājam vai līdzvērtīgai kvalificētai personai tas ir jānomaina, lai novērstu draudu risku.

- Nekādā gadījumā strāvas padeves vadu nedrīkst tīt ap pirkstiem vai kādu citu operatora ķermeņa daļu.



IEVĒROJIET: Piederumu rozeti (tikai dažiem modeļiem) ir paredzēts izmantot tikai ekspluatācijas instrukcijās norādītajiem mērķiem. Citu piederumu pievienošana var radīt bojājumus.

- Pirms piederuma pievienošanas putekļu sūcējs un pievienojamais piederums ir jāizslēdz.
- Izlasiet pievienojamā piederuma ekspluatācijas instrukcijas un ievērojiet tajās norādītās piezīmes par drošību.



IEVĒROJIET: Bojājums nepiemērota tīkla sprieguma dēļ. Ja piederums tiek pievienots nepiemērotam tīkla spriegumam, var rasties tā bojājums.

- Pārlicinieties, vai elektroapgādes tīkla spriegums un frekvence atbilst datiem mitrā/sausā putekļu sūcēja datu plāksnītē.

Norādījumi par drošu darbu

Šķidrumu uzkopšana



IEVĒROJIET: Nedrīkst uzskopt uzliesmojošus šķidrumus.

- Pirms šķidrumu uzkopšanas izņemiet filtra maisu. Pārbaudiet, vai pludiņš vai ūdens līmeņa ierobežošanas funkcija darbojas atbilstoši.
- Izmantojiet īpašu filtra daļu vai sieta filtru.
- Ja no putekļu sūcēja izdalās putas, nekavējoties pārtrauciet darbu un iztukšojiet tvertni.

Bīstami materiāli



BRĪDINĀJUMS: Neveiciet bīstamu materiālu uzkopšanu. Pretējā gadījumā var rasties traumas.

- Nedrīkst veikt šādu materiālu uzkopšanu:
 - bīstami putekļi;
 - karsti materiāli, piemēram, degošas cigaretes un karsti pelni;
 - uzliesmojoši, sprādzienbīstami, agresīvi šķidrums, piemēram, benzīns, šķīdinātāji, skābes un sārmi;
 - uzliesmojoši, sprādzienbīstami putekļi, piemēram, magnija vai alumīnija putekļi.

Rezerves daļas un piederumi



IEVĒROJIET: Lai garantētu putekļu sūcēja drošu lietošanu, izmantojiet tikai rezerves daļas un piederumus.

- Izmantojiet tikai Husqvarna nodrošinātās rezerves daļas un piederumus.
- Izmantojiet tikai putekļu sūcēja komplektācijā iekļautās vai lietotāja rokasgrāmatā ieteiktās suku.

Uzliesmojoša vai sprādzienbīstama atmosfēra



IEVĒROJIET: Nelietojiet putekļu sūcēju uzliesmojošās vai sprādzienbīstamās atmosfērās. Nelietojiet putekļu sūcēju tādu šķidrums, gāzu vai tvaiku tuvumā, kas var radīt uzliesmojošas atmosfēras.

Putēja funkcija



BRĪDINĀJUMS: Putekļi var radīt veselības problēmas. Putekļu sūcējs ir aprīkots ar putēja funkciju. Nepūtiet izplūstošo gaisu slēgtās telpās pēc nejausības principa. Izmantojiet putēja funkciju tikai ar tīru šļūteni.

Norādījumi par drošu apkopi



BRĪDINĀJUMS: Pirms putekļu sūcēja apkopes veikšanas izlasiet visus brīdinājuma norādījumus.

Putekļu tvertnes iztukšošana



IEVĒROJIET: Putekļu sūcējā iesūktie materiāli var būt bīstami apkārtējai videi. Atbrīvojieties no neīrūmiem, ievērojot vietējos noteikumus.

Montāža



BRĪDINĀJUMS: Pirms izstrādājuma montāžas izlasiet un izprotiet drošības norādījumus.

3. Pārbaudiet, vai ir iekļautas visas detaļas. Skatiet informāciju par putekļu sūcēju. Nepieciešamie instrumenti: skrūvgriezis.

Filtra maisa uzstādīšana

Pirms uzstādīšanas veicamās darbības

1. Atbloķējiet skavas un noceliet motora bloku. (Att. 8)
2. Noņemiet piederumus no neīrūmu tvertnes. (Att. 9)

1. Pagrieziet galveno slēdzi pozīcijā 0.
2. Atvienojiet putekļu sūcēju. (Att. 10)
3. Atbloķējiet skavas un noceliet motora bloku. (Att. 8)
4. Ievietojiet filtra maisu neīrūmu tvertnē.

5. Piestipriniet filtra maisa kartona daļu vakuumsūkšanas iepļūdes atverei. Pārbaudiet, vai gumijas membrāna atrodas aiz vakuumsūkšanas iepļūdes atveres paaugstinājuma. (Att. 11)
6. Novietojiet motora bloku uz nefirumu tvertnes un fiksējiet skavas. (Att. 12)

Piederumu piestiprināšana

1. Novietojiet piederumus attiecīgajā pozīcijā, lai tiem var ērti piekļūt. (Att. 13)
2. Piestipriniet instrumentu kasti putekļu sūcēja aizmugurē. (Att. 14)
3. Piestipriniet kabeļa un šļūtenes turētāju putekļu sūcēja aizmugurē. (Att. 15)

Šļūtenes uzstādīšana

1. Ievietojiet šļūteni vakuumsūkšanas iepļūdes atverē putekļu sūcēja priekšpusē. (Att. 16)

2. Pievienojiet piederumu elektroapgādes avotam.
3. Pagrieziet galveno slēdzi pozīcijā I. (Att. 17)
4. Noregulējiet sūkšanas jaudu, izmantojot slēdzi uz roktura vai galveno slēdzi*. *Tikai dažiem modeļiem. (Att. 18)

Caurules turētāja uzstādīšana

1. Virziet caurules turētāju vertikāli uz pagarinājuma caurules.
2. Lai uzstādītu caurules turētāju pagarinājuma caurulei piemērotā augstumā, izmantojiet skrūvgriezi. (Att. 19)
3. Novietojiet pagarinājuma cauruli uz turētājiem putekļu sūcēja aizmugurē. (Att. 20)

Lietošana

Ievads



BRĪDINĀJUMS: Pirms sākat darbu ar produktu, izlasiet nodaļu par drošību un pārliecinieties, vai saprotat to.

Izstrādājuma iedarbināšana

Pirms putekļu sūcēja ekspluatācijas uzsākšanas pārbaudiet, vai uz datu plāksnītes norādītās frekvences un sprieguma vērtības atbilst tīkla spriegumam.

1. Pārbaudiet, vai galvenais slēdzis atrodas pozīcijā 0. (Att. 10)
2. Pārbaudiet, vai putekļu sūcējā ir ievietoti pareizi filtri.
3. Ievietojiet šļūteni vakuumsūkšanas iepļūdes atverē putekļu sūcēja priekšpusē. Bīdiet šļūteni uz priekšu, līdz tā cieši fiksējas vietā vakuumsūkšanas iepļūdes atverē. (Att. 16)
4. Savienojiet divas pagarinājuma caurules ar rokturi. Lai pārbaudītu, vai pagarinājuma caurules ir pareizi pievienotas, pagrieziet tās.
5. Piestipriniet pagarinājuma caurulei uzgali. Izvēlieties uzgali atbilstoši uzkopjamajam materiāla veidam.
6. Pievienojiet spraudni elektroapgādes rozetei.
7. Lai putekļu sūcēju ieslēgtu, pagrieziet galveno slēdzi pozīcijā I. (Att. 17)

Izstrādājuma izslēgšana

1. Lai putekļu sūcēju izslēgtu, pagrieziet galveno slēdzi pozīcijā 0.
2. Atvienojiet putekļu sūcēju no elektroapgādes rozetes. (Att. 10)

Pūšanas funkcijas izmantošana

1. Ievietojiet šļūteni atverē putekļu sūcēja aizmugurē. (Att. 21)
2. Pievienojiet spraudni elektroapgādes rozetei.
3. Pagrieziet galveno slēdzi pozīcijā I. (Att. 17)
4. Lai noregulētu pūšanas jaudu, izmantojiet slēdzi uz roktura vai galveno slēdzi*. *Tikai dažiem modeļiem. (Att. 22)

Elektriskā darbarīka rozetes izmantošana*

*Tikai dažiem modeļiem.



IEVĒROJIET: Lai piederumus pievienotu elektriskā darbarīka rozetei, izpildiet ekspluatācijas instrukcijas un drošības instrukcijas.

Piezīme: Pievienotā instrumenta maksimālais strāvas patēriņš ir norādīts sadaļā *Tehniskie dati lpp. 214.*

1. Pārbaudiet, vai elektriskā darbarīka slēdzis ir ieslēgts pozīcijā 0. (Att. 23)
2. Atvienojiet no šļūtenes rokturi. Nospiediet atsperes uz šļūtenes (A) un velciet rokturi uz āru (B). (Att. 24)
3. Pievienojiet elektriskā darbarīka adapteri. (Att. 25)
4. Noregulējiet sūkšanas jaudu, izmantojot elektriskā darbarīka adapteri vai galveno slēdzi*. *Tikai dažiem modeļiem. (Att. 26)

- Pievienojiet šļūteni putekļu sūcēja vakuumsūkšanas iepļūdes atverei un elektriskajam darbarīkam. Pievienojiet elektriskā darbarīka kabeli putekļu sūcēja elektriskajam savienojumam. (Att. 27)
- Pārbaudiet, vai elektriskā darbarīka slēdzis ir ieslēgts pozīcijā 0. (Att. 23)
- Pagrieziet putekļu sūcēja galveno slēdzi elektriskā darba rīka pozīcijā (A).
- Pagrieziet elektriskā darbarīka slēdzi pozīcijā I (B). (Att. 28)

Piezīme: Lai ieslēgtu vai izslēgtu ierīci, izmantojiet putekļu sūcēja galveno slēdzi (A) vai elektriskā darba rīka galveno slēdzi (B).

Šķidruma uzkopšana

Piezīme: Putekļu sūcējs ir aprīkots ar pludiņa sistēmu, kas izslēdz gaisa plūsmu caur putekļu sūcēju, kad tiek sasniegts maksimālais šķidruma līmenis.

Apkope

Ievads



BRĪDINĀJUMS: Pirms veicat apkopi, izlasiet nodaļu par drošību un pārliecinieties, vai izprotat to.

Lai veiktu visus izstrādājuma apkopes un remonta darbus, ir nepieciešama īpaša apmācība. Mēs garantējam profesionāla remonta un apkopes pieejamību. Ja jūsu izplatītājs nav servisa pārstāvis, vērsieties pie viņa, lai iegūtu informāciju par tuvāko servisa pārstāvi.

Regulāra apkope un pārbaude

- Putekļu sūcēja regulāra apkope un pārbaude ir jāveic kvalificētam darbiniekam saskaņā ar attiecīgajiem normatīvajiem aktiem un noteikumiem.
- Regulāri jāveic zemējuma nepārtrauktības, izolācijas pretestības un elastīgā vada stāvokļa elektriskie testi.
- Ja tiek konstatēts defekts, putekļu sūcēja ekspluatācija **jāpārtrauc** un kvalificētam apkopes dienesta darbiniekam jāveic tā remonts.

Putekļu sūcēju L klases putekļu uzkopšanai apkope

Tālāk sniegtā informācija attiecas uz putekļu sūcējiem L klases putekļu uzkopšanai, WDC 325L.

- Apkopes un uzkopšanas darbu laikā lietojiet putekļu sūcēju apkopes dienesta darbiniekiem un citām personām drošā veidā.
- Apkopes veikšanas vietā ievērojiet šādus nosacījumus:



IEVĒROJIET: Neveiciet šķidruma uzkopšanu, ja pludiņa sistēma neatrodas vietā.

- Pārbaudiet, vai filtrs un filtra spriegotājs (pludiņa sistēma) atrodas vietā, skatiet šeit: *Filtra maiņa lpp. 212* Ja ir uzstādīts filtra maiss, izņemiet to.
- Lai veiktu šķidruma uzkopšanu, izmantojiet grīdas uzgali.
- Kad tiek sasniegts maksimālais šķidruma līmenis, motora darbības skaņa būtiski izmainās. Sūkšanas jauda samazinās.
- Izslēdziet ierīci; skatiet šeit: *Izstrādājuma izslēgšana lpp. 210*.
- Iztukšojiet neīrumu tvertni; skatiet šeit: *Neīrumu tvertnes iztukšošana pēc šķidruma uzkopšanas lpp. 211*.

- izmantojiet obligāti filtrētu gaisa plūsmu;
- valkājiet aizsargapģērbu;
- uzkopiet apkopes veikšanas vietu tā, lai bīstami materiāli neizkļūst citās zonās.
- Ja detaļas apkopes un remontdarbu laikā nevar pieņemtami notīrīt, rīkojieties šādi:
 - ievietojiet detaļas atbilstoši noslēdzamos maisos;
 - atbrīvojieties no detaļām, ievērojot vietējos noteikumus.

Neīrumu tvertnes iztukšošana pēc šķidruma uzkopšanas

- Izslēdziet ierīci; skatiet šeit: *Izstrādājuma izslēgšana lpp. 210*.
- Lai atvienotu šļūteni, izvelciet to uz āru no vakuumsūkšanas iepļūdes atveres.
- Atbloķējiet skavas un noceliet motora bloku. (Att. 8)
- Lai iztukšotu neīrumu tvertni, sasveriet to aizmuguri un izlejiet šķidrumu grīdas notecē. *Rokturis ir pieejams tikai dažiem modeļiem. (Att. 29)



IEVĒROJIET: Kad šķidrumu uzkopšana ir pabeigta, obligāti iztukšojiet un izīrēt tvertni un pludiņa sistēmu. Ja putekļu sūcējā nav uzstādīta pludiņa sistēma un filtrs, šķidrumu uzkopšanu nedrīkst veikt.

- Novietojiet motora bloku uz neīrumu tvertnes un fiksējiet skavas. (Att. 12)

Neņirumu tvertnes iztukšošana pēc sausās uzkopšanas

1. Izslēdziet ierīci; skatiet šeit: *Izstrādājuma izslēgšana lpp. 210.*
2. Atbloķējiet skavas un noceliet motora bloku. (Att. 8)
3. Pārbaudiet, vai filtra maisa nav pilns.
4. Ja filtra maiss ir pilns, izņemiet to.



IEVĒROJIET: Ja filtrs un filtra maiss nav ievietots, sauso materiālu uzkopšanu nedrīkst veikt.

5. Ievietojiet jaunu filtra maisu; skatiet šeit: *Filtra maisa uzstādīšana lpp. 209.*

Piezīme: Putekļu sūcēja sūkšanas jauda ir atkarīga no filtra un filtra maisa izmēriem un kvalitātes. Izmantojiet tikai Husqvarna filtrus un filtra maisus.

6. Novietojiet motora bloku uz neņirumu tvertnes un fiksējiet skavas. (Att. 12)

Filtra un filtra tīrīšanas sistēmas tīrīšana

Putekļu sūcējs ir aprīkots ar daļēji automātisku filtra tīrīšanas sistēmu. Izmantojiet filtra tīrīšanas sistēmu regulāri vai vismaz tad, ja tīrīšanas veiktspēja ir samazinājusies. Filtra tīrīšanas sistēmas regulāra izmantošana paildzina filtra darbumu.

1. Veiciet filtra tīrīšanu, kad ir samazinājusies tīrīšanas veiktspēja. (Att. 30)
2. Ievietojiet šļūteni vakuumsūkšanas iepļūdes atverē putekļu sūcēja priekšpusē. (Att. 16)
3. Pievienojiet piederumu elektroapgādes avotam.
4. Pagrieziet galveno slēdzi pozīcijā I. (Att. 17)
5. Novietojiet rokturi pret plaukstu (A), lai tajā veiktu sūkšanu.
6. Ar dūri 3 reizes uzstiet filtra tīrīšanas pogai (B). (Att. 31)
7. Ja sūkšanas jauda nav pietiekama, izņemiet filtru; skatiet šeit: *Filtra maiņa lpp. 212.*
8. Lai filtru iztīrītu, izkراتiet to, apstrādājiet to ar suku vai nomazgājiet.
9. Nogaidiet, līdz filtrs nožūst.

10. Uzstādiat filtru; skatiet šeit: *Filtra maisa uzstādīšana lpp. 209.*

Produkta tīrīšana no ārpusēs

1. Izslēdziet ierīci; skatiet šeit: *Izstrādājuma izslēgšana lpp. 210.*
2. Notīriet putekļu sūcēju ar sausu drānu un nelielu daudzumu izsmidzināma spodrinātāja.

Filtra maiņa

Putekļu sūcēju ir paredzēts lietot nepārtraukta liela apjoma darba veikšanai. Putekļu filtrs ir jānomaina atkarībā no darba stundu skaita.

1. Izslēdziet ierīci; skatiet šeit: *Izstrādājuma izslēgšana lpp. 210.*
2. Atbloķējiet skavas un noceliet motora bloku. (Att. 8)
3. Pagrieziet filtra spriegotāju (A) pulkstenrādītāju kustībai pretējā virzienā un velciet to uz āru. Izņemiet filtru (B). (Att. 32)
4. Ievietojiet jaunu filtru (A). Ievietojiet filtra spriegotāju (A) un pagrieziet to pulkstenrādītāju kustības virzienā. (Att. 33)
5. Pārliedcinieties, vai filtrs un filtra spriegotājs atrodas savā vietā. (Att. 34)
6. Novietojiet motora bloku uz neņirumu tvertnes un fiksējiet skavas. (Att. 12)

Filtra maisa maiņa

1. Izslēdziet ierīci; skatiet šeit: *Izstrādājuma izslēgšana lpp. 210.*
2. Atbloķējiet skavas un noceliet motora bloku. (Att. 8)
3. Pārbaudiet, vai filtra maisa nav pilns. Ja filtra maiss ir pilns, izņemiet to.
4. Velciet filtra maisa kartona daļu ārā no vakuumsūkšanas iepļūdes atveres.
5. Izņemiet filtra maisu (A) un atbrīvojieties no tā.
6. Ievietojiet jauno filtra maisu neņirumu tvertnē (B).
7. Piestipriniet filtra maisa kartona daļu vakuumsūkšanas iepļūdes atverei (C). Pārbaudiet, vai gumijas membrāna atrodas aiz vakuumsūkšanas iepļūdes atveres paaugstinājuma. (Att. 35)
8. Novietojiet motora bloku uz neņirumu tvertnes un fiksējiet skavas. (Att. 12)

Pārvadāšana, glabāšana un utilizēšana

Pārvadāšana un uzglabāšana

- Pēc lietošanas
 - Ja putekļu sūcējs netiek lietots, atvienojiet to no elektroapgādes tīkla.
 - Satiniet vadu, sākot no putekļu sūcēja.

- Lai nostiprinātu vadu uz motora bloka, izmantojiet kabelu turētāju.
- Satiniet šļūteni.
- Lai nostiprinātu šļūteni uz motora bloka, izmantojiet šļūtenes turētāju.
- Transportēšana
 - Aizveriet visas skavas uz motora bloka.

- Nesasveriet putekļu sūcēju, ja nefīrums tvertnē ir šķidrums.
- Putekļu sūcēja pacelšanai uz augšu neizmantojiet kravas celtna āķi.
- Uzglabāšana
 - Glabājiet izstrādājumu sausā vietā, kurā temperatūra nepazeminās zem 0°C.

Putekļu sūcēja utilizēšana

Lai pārtrauktu putekļu sūcēja ekspluatāciju, izpildiet tālāk aprakstītās darbības.

1. Atvienojiet putekļu sūcēju no elektroapgādes rozetes.
2. Pārgrieziet strāvas padeves vadu.
3. Neizmetiet putekļu sūcēju sadzīves atkritumos.

Atbrīvošanās no izstrādājuma (atbilstoši 2012/19/EK):

Šo izstrādājumu nedrīkst izmest kopā ar parastiem sadzīves atkritumiem. No tā ir jāatbrīvojas saskaņā ar vietējiem vides aizsardzības noteikumiem.

Rūpējieties, lai šis izstrādājums tiktu nodots pārstrādei vietējā atkritumu pārstrādes uzņēmumā vai izmantojot šāda uzņēmuma pakalpojumus.

(Att. 5)

Tehniskie dati

Tehniskie dati

	EU/CH		GB		AU/NZ		US
	WDC 220	WDC 325L	WDC 220	WDC 325L	WDC 220	WDC 325L	WDC 225
Spriegums, V	220-240	220-240	220-240	220-240	220-240	220-240	110-120
Elektro ^{detaja} , W	1000	1200	1000	1000	1000	1000	1000
Piederumu rozetei pievienotā jauda, W	-	2400 /1100	-	1900	-	1300	-
Frekvence, Hz	50/60				50-60		50/60
Drošinātāji, A	10	16/10	13	13	10	10	15
Aizsardzības kategorija (mitrums, netīrumi)	IPX4						
Aizsardzības klase (elektriska)	II (Att. 4)	I	II (Att. 4)	I	II (Att. 4)	I	II (Att. 4)
Gaisa tilpuma plūsma, l/min	3600	3700	3600	3600	3600	3600	3200
Gaisa plūsma, cfm	127	130	127	127	127	127	113
Vakuums, mbar	210	235	210	210	210	210	210
Skaņas spiediena līmenis 1 m attālumā, EN 60704-1, dB(A) +/-2	72						
Vibrācija, ISO 5349, m/s ² +/-1	<1,5						
Svars, kg	7,5	8,5	7,5	8,5	7,5	8,5	7,5
Platums, mm	377	376	377	376	377	376	377
Dziļums, mm	385	392	385	392	385	392	392
Augstums, mm	506	533	506	530	506	530	550

EK atbilstības deklarācija

EK atbilstības deklarācija

Husqvarna AB, SE-561 82 Huskvarna, Zviedrija,
tālr. nr.: +46-36-146500, ar šo apliecina, ka **putekļu
sūcējs Husqvarna WDC 220, 3325L** atbilst PADOMES
DIREKTĪVAS prasībām:

- 2006. gada 17. maijs, Direktīva **2006/42/EK**, "par mašīnu tehniku"
- 2014. gada 26. februāra direktīva **2014/30/ES** "par elektromagnētisko saderību";

Ir piemēroti šādi standarti:

**EN 60335-1:2012+A11:2014, EN 60335-2-69:2012, EN
55014-1:2006+A1:2009+A2:2011, EN 55014-2:2015,
EN 61000-3-2:2014, EN 61000-3-3:2013**

Ja nav norādīts citādi, ir spēkā iepriekš uzskaitīto
standartu jaunākās publicētās versijas.

Huskvarna, 2018-08-01



Izstrādājumu izstrādes nodaļas vadītāja Kornēlija
Ekbladha (Cornelia Ekbladh)

Inhoud

Inleiding.....	216	Onderhoud.....	223
Veiligheid.....	217	Vervoer, opslag en verwerking.....	225
Montage.....	222	Technische gegevens.....	226
Werking.....	222	EG verklaring van overeenstemming.....	227

Inleiding

Productbeschrijving

Het product is een multifunctionele stofzuiger die ontworpen is voor commercieel gebruik.

Gebruik

Gebruik het product om droog, niet-brandbaar stof en vloeistoffen op te zuigen.

Productoverzicht WDC 220, WDC 225

(Fig. 1)

1. Hoofdschakelaar
2. Filterreinigingssysteem
3. Aanzuigopening
4. Wielen
5. Kabelhouder, slanghouder
6. Filterzak

Productoverzicht WDC 325L

(Fig. 2)

1. Hoofdschakelaar
2. Filterreinigingssysteem
3. Aanzuigopening
4. Wielen
5. Kabelhouder, slanghouder
6. Filterzak
7. Mondstuk
8. Hendel
9. Vloerzuigmond
10. Spleetzuigmond
11. Bedieningshandleiding
12. Verlengstuk
13. Slang
14. Adapter voor elektrisch gereedschap
15. Elektrische aansluiting voor elektrisch gereedschap
16. Gereedschapskist

Symbolen op het product

(Fig. 3) Lees de bedieningshandleiding zorgvuldig door en zorg dat u de instructies hebt begrepen voordat u het product gebruikt.

(Fig. 4) De unit heeft dubbele isolatie.

Lees en volg de veiligheids- en bedieningsinstructies.

Voer alleen onderhoud en reparaties aan het product uit volgens de specificaties van de fabrikant.

De fabrikant aanvaardt geen aansprakelijkheid voor schade die het gevolg is van onjuist gebruik, verkeerd onderhoud of onjuiste reparatie.

7. Mondstuk
8. Hendel
9. Vloerzuigmond
10. Spleetzuigmond
11. Bedieningshandleiding
12. Verlengstuk
13. Slang

(Fig. 5) Gooi de unit niet bij het huishoudelijk afval. Volg de plaatselijke regelgeving.

(Fig. 6) Het product voldoet aan de geldende EG-richtlijnen.

Let op: Andere symbolen/stickers op het product hebben betrekking op certificeringseisen voor overige commerciële markten.

Stofklasse L

(Fig. 7)

Houd u aan de veiligheidsvoorschriften en aanverwante maatregelen voor stofklasse L.

Productaansprakelijkheid

Zoals uiteengezet in de wet voor productaansprakelijkheid zijn wij niet aansprakelijk voor schade die door ons product wordt veroorzaakt, indien:

- het product niet goed is gerepareerd.
- het product is gerepareerd met onderdelen die niet van de fabrikant afkomstig zijn, of onderdelen die niet zijn goedgekeurd door de fabrikant.

- het product een accessoire bevat dat niet afkomstig is van de fabrikant of niet is goedgekeurd door de fabrikant.
- het product niet is gerepareerd door een erkend servicepunt of door een erkende autoriteit.

Veiligheid

Veiligheidsdefinities

Waarschuwingen, voorzorgsmaatregelen en opmerkingen worden gebruikt om te wijzen op belangrijke delen van de handleiding.



WAARSCHUWING: Wordt gebruikt om te wijzen op de kans op ernstig of fataal letsel voor de gebruiker of omstanders wanneer de instructies in de handleiding niet worden gevolgd.



OPGELET: Wordt gebruikt indien er een risico bestaat op schade aan het product en andere eigendommen of aan de omgeving wanneer de instructies in de handleiding niet worden gevolgd.

Let op: Geven verdere informatie die nodig is in een bepaalde situatie.

Algemene veiligheidsinstructies



WAARSCHUWING: Lees de volgende waarschuwingen voordat u het product gaat gebruiken.

- Als het product en/of een accessoire is beschadigd, moet het door een erkend servicecentrum worden gerepareerd. Gebruik nooit een beschadigd product.
- Laat het product niet door een kind bedienen. Laat de machine niet bedienen en laat geen onderhoud verrichten door personen die de instructies niet hebben gelezen.
- Het product mag alleen onder toezicht worden gebruikt.
- Zorg ervoor dat u personen met een lichamelijke of geestelijke beperking die het product gebruiken, altijd in de gaten houdt.
- Kinderen moeten onder toezicht worden gehouden om zeker te weten dat ze niet met het product spelen.
- Gebruik geen gevaarlijke werkprocedures.
- Gebruik het product niet zonder de filters in de juiste positie.
- Stop in de volgende situaties het product en haal de stekker uit het stopcontact:
 - Voorafgaand aan reiniging en onderhoud.
 - Voorafgaand aan reparatie.
 - Als er schuim of vloeistof in de ruimte aanwezig is.
- Blijf in de buurt van het product wanneer het is aangesloten. Haal de stekker uit het stopcontact wanneer het product niet in bedrijf is en voorafgaand aan onderhoud.
- Gebruik het product niet als het snoer of de stekker beschadigd is. Trek aan de stekker, niet aan het snoer,

- om te ontkoppelen. Houd de stekker of het product niet met natte handen vast. Schakel alle bedieningsfuncties uit voordat u de stekker uit het stopcontact haalt.
- Trek het product niet aan het snoer mee. Gebruik de kabel niet als hendel. Zorg dat het snoer niet tussen een deur komt en trek het niet rond scherpe randen of hoeken. Laat het product over het snoer lopen. Houd het snoer uit de buurt van hete oppervlakken.
 - Houd haar, wijde kleding, vingers en overige lichaamsdelen uit de buurt van openingen en bewegende delen. Plaats geen voorwerpen in de openingen en gebruik het product niet met de opening geblokkeerd. Houd de openingen vrij van stof, pluis, haar of iets anders dat de luchtstroom kan belemmeren.
 - Zuig geen gevaarlijk stof op met WDC 220, WDC 225.
 - Zuig geen brandbare stoffen of vloeistoffen zoals benzine op. Gebruik het product niet in ruimten waar dergelijke producten aanwezig kunnen zijn.
 - Zuig geen brandende of rokende voorwerpen op zoals sigaretten, lucifers of hete as.
 - Wees voorzichtig bij het stofzuigen op trappen.
 - Schakel het product onmiddellijk uit als er schuim of vloeistof uit het product komt.
 - Gebruik het product niet als waterpomp.
 - Sluit het product aan op een correct geaard stopcontact. Het stopcontact en de verlengkabel moeten van een werkende beschermingsleiding zijn voorzien (alleen van toepassing op niet dubbelgeïsoleerde producten).
 - Zorg ervoor dat er een goede luchtstroom op de werkplek is.
 - Gebruik het product niet als ladder of trapje.
 - Wanneer stofverwijderaars worden gebruikt, moet de snelheid waarmee de lucht in de ruimte wordt ververst afdoende zijn als de uitblaaslucht van de stofzuiger in de kamer wordt geblazen. Volg de nationale voorschriften voorafgaand aan gebruik.
 - Voor producten met stofklasse L, WDC 325L, dient u de

gebruiker voorafgaand aan gebruik te wijzen op het volgende:

- Gebruik van het product.
- De risico's van het op te zuigen materiaal.
- Veilige verwijdering van het opgezogen materiaal.
- Voor producten met stofklasse L, WDC 325L, geldt het volgende:
 - Gebruik het product om droog, niet-brandbaar stof en vloeistoffen, gevaarlijke stoffen met OEL¹⁾-waarde > 1mg/m³ op te zuigen. Stofklasse L (IEC 60335-2-69). Stof met deze stofklasse heeft OEL¹⁾-waarden > 1mg/m³.
 - Producten met stofklasse L hebben getest filtermateriaal. De maximale doorlaatbaarheidsgraad is 1%. Er gelden geen bijzondere voorschriften voor afvalverwijdering.

Let op: Neem de lokale wetgeving in acht. De minimumleeftijd van de gebruiker kan hierin zijn vastgelegd.

Veiligheid voor dubbelgeïsoleerde producten



WAARSCHUWING: Gebruik het product uitsluitend zoals in deze handleiding wordt beschreven en uitsluitend met de door de fabrikant aanbevolen accessoires.



WAARSCHUWING: Alleen voor het Verenigd Koninkrijk: lees deze belangrijke instructies. Deze instructies zijn opgesteld met veiligheid en efficiëntie hoog in het vaandel. De gebruiker moet zijn opgeleid door een erkende instructeur en moet op de hoogte zijn van deze instructies voordat deze het product mag gebruiken. De gebruiker moet op de hoogte zijn van alle wet- en regelgeving die van kracht is op het tijdstip van gebruik.



WAARSCHUWING: Voordat u het product aansluit: Zorg ervoor dat de netspanning en de netfrequentie van de voedingseenheid overeenkomen met de gegevens op het productplaatje van de nat-/droogstofzuiger.



WAARSCHUWING: Dit product heeft dubbele isolatie. Gebruik alleen vervangende onderdelen van Husqvarna. Raadpleeg de instructies over het uitvoeren van onderhoud aan dubbelgeïsoleerde producten.



WAARSCHUWING: Het product is voorzien van een speciaal snoer. Als het snoer beschadigd is, moet het worden vervangen door een snoer van hetzelfde type. Dit is verkrijgbaar bij erkende servicecentra en dealers en moet door erkend personeel worden geïnstalleerd.



WAARSCHUWING: Onderhoud aan een dubbelgeïsoleerd product vereist kennis van het systeem. In dubbelgeïsoleerde producten zijn twee isolatiesystemen aanwezig in plaats van aarding. Op een dubbelgeïsoleerd product wordt geen aardingsmogelijkheid geboden en er mag ook geen aardingsmethode aan het apparaat worden toegevoegd. Onderhoud mag uitsluitend door erkend onderhoudspersoneel worden uitgevoerd. Vervangingsonderdelen voor een dubbelgeïsoleerd product moeten identiek zijn aan de onderdelen die ze vervangen. Een dubbelgeïsoleerd product is gemarkeerd met de woorden "DUBBELE ISOLATIE" of "DUBBELGEÏSOLEERD". Er kan ook een symbool worden gebruikt op het product.

Elektrische veiligheid

- Het is raadzaam de stofzuiger aan te sluiten via een aardlekschakelaar voor overstroombeveiliging.
- Leg de elektrische onderdelen (aansluitingen, stekkers en koppelingen) en de verlengkabel zo neer dat de beschermingsklasse gehandhaafd blijft.
- Aansluitingen en koppelingen van netsnoeren en verlengsnoeren moeten waterdicht zijn.

Verlengsnoer

- Als u een verlengsnoer gebruikt, dient u alleen de versie te gebruiken die door de fabrikant is opgegeven of een verlengsnoer van hogere kwaliteit.
- Controleer bij gebruik van een verlengsnoer de minimale dwarsdoorsnede van de kabel:

Kabellengte	Dwarsdoorsnede	
	< 16 A	< 25 A
< 20 m	1,5 mm ²	2,5 mm ²
20-50 m	2,5 mm ²	4,0 mm ²



WAARSCHUWING: Het bovenste deel van de stofzuiger bevat stroomvoerende onderdelen. Contact met stroomvoerende onderdelen leidt tot ernstig of zelfs dodelijk letsel.

- Spuit nooit water op het bovenste gedeelte van de stofzuiger.



WAARSCHUWING: Elektrische schokken als gevolg van een defecte netspanningskabel. Het aanraken van een defecte netspanningskabel kan

leiden tot ernstig of zelfs dodelijk letsel.

- Beschadig het netsnoer niet (bijvoorbeeld door eroverheen te rijden, eraan te trekken of het snoer te beknellen).
- Controleer regelmatig of het netsnoer beschadigd is of tekenen van veroudering vertoont.
- Als de elektriciteitskabel is beschadigd, moet deze om gevaar te vermijden worden vervangen door een erkende Husqvarna-distributeur of een gelijkwaardig gekwalificeerde persoon.
- In geen geval mag het netsnoer rond de vingers of delen van het lichaam van de gebruiker worden gewikkeld.



OPGELET: De aansluiting van het apparaat (alleen op sommige modellen) is alleen ontworpen voor de doeleinden die zijn gedefinieerd in de bedieningsinstructies. Het aansluiten van verschillende apparaten kan tot beschadiging leiden.

- Voordat u een apparaat aansluit, moet u altijd het product uitschakelen evenals het apparaat dat moet worden aangesloten.
- Lees de bedieningsinstructies bij het apparaat dat moet worden aangesloten en neem de veiligheidsvoorschriften daarin in acht.



OPGELET: Schade als gevolg van ongeschikte netspanning. Het apparaat kan beschadigd raken als gevolg van aansluiting op ongeschikte netspanning.

- Zorg ervoor dat de netspanning en de netfrequentie van de voedingseenheid overeenkomen met de gegevens op het productplaatje van de nat-/droogstofzuiger.

Veiligheidsinstructies voor bediening

Vloeistoffen opzuigen



OPGELET: Zuig geen brandbare vloeistoffen op.

- Verwijder de filterzak voordat u begint met het opzuigen van vloeistoffen. Controleer of de vlotter- of waterniveaubeperkingsfunctie correct werkt.
- Gebruik een speciaal filterelement of een filterzeef.
- Als er schuim uit het product komt, stopt u onmiddellijk met werken en maakt u de tank leeg.

Gevaarlijke stoffen



WAARSCHUWING: Zuig geen gevaarlijke stoffen op. Hierdoor kan letsel ontstaan.

- Zuig de volgende materialen niet op:
 - gevaarlijk stof
 - hete materialen, bijvoorbeeld brandende sigaretten en hete as.
 - brandbare, explosieve, agressieve vloeistoffen, bijvoorbeeld benzine, oplosmiddelen, zuren en basen.
 - brandbaar, explosief stof, bijvoorbeeld magnesium- of aluminiumstof.

Reserveonderdelen en accessoires



OPGELET: Gebruik alleen reserveonderdelen en accessoires van voor de veiligheid van het product.

- Gebruik alleen reserveonderdelen en accessoires van Husqvarna.
- Gebruik alleen de borstels die zijn meegeleverd met het product en waarnaar in de bedieningshandleiding wordt verwezen.

Explosieve of brandbare atmosfeer



OPGELET: Gebruik het product niet in explosieve of brandbare atmosferen. Gebruik het product niet in de buurt van vloeistoffen, gas of rook die brandbare atmosferen kunnen veroorzaken.

Blazerfunctie



WAARSCHUWING: Stof kan gezondheidsproblemen veroorzaken. Het product heeft een blazerfunctie. Blaas de uitstromende lucht niet willekeurig in afgesloten ruimten. Gebruik de blazerfunctie alleen met een schone slang.

Veiligheidsinstructies voor onderhoud



WAARSCHUWING: Lees alle volgende waarschuwingen voordat u onderhoud aan het product gaat uitvoeren.

De vuilcontainer leegmaken



OPGELET: Gereinigd materiaal kan gevaarlijk zijn voor het milieu. Gooi het vuil weg volgens de wettelijke voorschriften.

Montage



WAARSCHUWING: Zorg dat u het hoofdstuk over veiligheid hebt gelezen en begrepen voordat u het apparaat monteert.

Voorafgaand aan de installatie

1. Ontgrendel de klemmen en til de motorunit uit de stofzuiger. (Fig. 8)
2. Verwijder de accessoires van de vuilcontainer. (Fig. 9)
3. Controleer of alle onderdelen aanwezig zijn. Zie het productoverzicht. Benodigde gereedschappen: Schroevendraaier.

De filterzak plaatsen

1. Zet de hoofdschakelaar in de stand 0.
2. Ontkoppel het product. (Fig. 10)
3. Ontgrendel de klemmen en til de motorunit uit de stofzuiger. (Fig. 8)
4. Plaats de filterzak in de vuilcontainer.
5. Bevestig het kartonnen deel van de filterzak aan de aanzuigopening. Zorg ervoor dat het rubberen membraan zich boven het verhoogde gedeelte van de aanzuigopening bevindt. (Fig. 11)
6. Plaats de motorunit op de vuilcontainer en vergrendel de klemmen. (Fig. 12)

De accessoires bevestigen

1. Plaats de accessoires in de juiste positie voor gemakkelijke toegang. (Fig. 13)
2. Bevestig de gereedschapskist aan de achterkant van het product. (Fig. 14)
3. Bevestig de houder voor de kabel en de slang aan de achterkant van het product. (Fig. 15)

De slang installeren

1. Plaats de slang in de aanzuigopening aan de voorkant van het product. (Fig. 16)
2. Sluit het apparaat aan op de netspanning.
3. Zet de hoofdschakelaar in de stand I. (Fig. 17)
4. Stel de zuigkracht in via de hendel of de hoofdschakelaar*. *Alleen op bepaalde modellen. (Fig. 18)

De buishouder installeren

1. Beweeg de buishouder verticaal op het verlengstuk.
2. Zet de buishouder met een schroevendraaier op de juiste hoogte van het verlengstuk vast. (Fig. 19)
3. Hang het verlengstuk aan de houders aan de achterkant van het product. (Fig. 20)

Werking

Inleiding



WAARSCHUWING: Voordat u het product gaat gebruiken, dient u het hoofdstuk over veiligheid te lezen en hebben begrepen.

Product starten

Voordat het product wordt gebruikt, moet u ervoor zorgen dat de frequentie en de spanning op het productplaatje overeenkomen met de netspanning.

1. Controleer of de hoofdschakelaar in de stand 0 staat. (Fig. 10)
2. Controleer of de juiste filters zich in de juiste positie in het product bevinden.
3. Plaats de slang in de aanzuigopening aan de voorzijde van het product. Druk de slang naar voren totdat deze stevig op zijn plaats zit in de aanzuigopening. (Fig. 16)

4. Sluit de twee verlengstukken aan met de hendel. Draai de verlengstukken om ervoor te zorgen dat ze zich in de juiste positie bevinden.
5. Bevestig een mondstuk aan het verlengstuk. Selecteer het mondstuk op basis van het type materiaal dat moet worden gereinigd.
6. Steek de stekker in het stopcontact.
7. Zet de hoofdschakelaar in de stand I om het product te starten. (Fig. 17)

Product stoppen

1. Draai de hoofdschakelaar in de stand 0 om het product te stoppen.
2. Haal de stekker uit het stopcontact. (Fig. 10)

De blaasfunctie gebruiken

1. Plaats de slang in de opening aan de achterkant van het product. (Fig. 21)
2. Steek de stekker in het stopcontact.
3. Zet de hoofdschakelaar in de stand I. (Fig. 17)

4. Stel de blaaskracht in via de hendel of de hoofdschakelaar*. *Alleen op bepaalde modellen. (Fig. 22)

Aansluiting voor elektrisch gereedschap gebruiken*

*Alleen op bepaalde modellen.



OPGELET: Volg de bedienings- en veiligheidsinstructies voor apparaten die zijn aangesloten op de aansluiting voor elektrisch gereedschap.

Let op: Het maximale stroomverbruik van de aangesloten apparaten wordt vermeld in het hoofdstuk *Technische gegevens op pagina 226*.

1. Controleer of de schakelaar op het elektrische gereedschap in de stand 0 staat. (Fig. 23)
2. Koppel de hendel los van de slang. Druk op de klepjes op het uiteinde van de slang (A) en trek de hendel (B) naar buiten. (Fig. 24)
3. Sluit de adapter voor elektrisch gereedschap aan. (Fig. 25)
4. Stel de zuigkracht in via de adapter voor elektrisch gereedschap of de hoofdschakelaar*. *Alleen op bepaalde modellen. (Fig. 26)
5. Sluit de slang aan op de aanzuigopening van het product en op het elektrische gereedschap. Sluit de kabel van het elektrische gereedschap aan op de elektrische aansluiting van het product. (Fig. 27)
6. Controleer of de schakelaar op het elektrische gereedschap in de stand 0 staat. (Fig. 23)

7. Draai de hoofdschakelaar op het product naar de stand voor elektrisch gereedschap (A).
8. Zet de schakelaar van het elektrische gereedschap op I (B). (Fig. 28)

Let op: U kunt het product starten en stoppen met de hoofdschakelaar op het product (A) of op het elektrisch gereedschap (B).

Vloeistof opzuigen

Let op: Het product heeft een vlottersysteem dat de luchtstroom door het product op het maximale vloeistofniveau stopt.



OPGELET: Zuig geen vloeistof op zonder dat het vlottersysteem zich op de juiste plaats bevindt.

1. Zorg ervoor dat het filter en de filterspanner (het vlottersysteem) zich op de juiste plaats bevinden, zie *Het filter vervangen op pagina 224*. Verwijder de filterzak als deze is geïnstalleerd.
2. Zuig vloeistof op met de vloerzuigmond.
3. Op het maximale vloeistofniveau is een merkbare verandering van het motorgeluid hoorbaar. De zuigkracht neemt af.
4. Stop het product, zie *Product stoppen op pagina 222*.
5. Maak de vuilcontainer leeg, zie *De vuilcontainer leegmaken nadat vloeistof is opgezogen op pagina 224*.

Onderhoud

Inleiding



WAARSCHUWING: Voordat u onderhoud gaat uitvoeren, dient u het hoofdstuk over veiligheid te lezen en hebben begrepen.

Voor alle onderhouds- en reparatiewerkzaamheden aan het product is speciale training nodig. Wij garanderen de beschikbaarheid van professionele reparaties en onderhoud. Indien uw dealer geen servicewerkplaats heeft, vraag hem dan naar de dichtstbijzijnde servicewerkplaats.

Regelmatig onderhoud en regelmatige inspectie

- Er moet regelmatig onderhoud en inspecties aan het product worden uitgevoerd door erkend personeel

waarbij de gerelateerde wet- en regelgeving wordt geraadpleegd.

- Elektrische tests voor massageleiding, isolatieweerstand en de staat van het flexibele snoer moeten regelmatig worden uitgevoerd.
- Als er een defect wordt aangetroffen, **moet** het product uit gebruik worden genomen en door een erkende onderhoudstechnicus worden gerepareerd.

Onderhoud van producten met stofklasse L

Het volgende geldt voor producten met stofklasse L, WDC 325L.

- Gebruik het product tijdens onderhoud en reiniging veilig voor onderhoudspersoneel of andere personen.
- In de onderhoudsruimte:
 - Gebruik een gefilterde verplichte luchtstroom.

- Draag beschermende kleding.
- Reinig de onderhoudsruimte zodat er geen schadelijke stoffen in andere ruimten komen.
- Indien de onderdelen niet naar behoren kunnen worden gereinigd tijdens onderhoud en reparatie:
 - Plaats de onderdelen in goed afgesloten zakken.
 - Gooi de onderdelen weg volgens de wettelijke voorschriften.

De vuilcontainer leegmaken nadat vloeistof is opgezogen

1. Stop het product, zie *Product stoppen op pagina 222*.
2. Koppel de slang los van de aanzuigopening door de slang eruit te trekken.
3. Ontgrendel de klemmen en til de motorunit uit de stofzuiger. (Fig. 8)
4. Maak de vuilcontainer leeg door deze naar achteren te kantelen en laat de vloeistoffen in een afvoerputje in de vloer weglipen. * Hendel alleen op bepaalde modellen. (Fig. 29)



OPGELET: Maak de vuilcontainer en het vlottersysteem altijd leeg en reinig deze nadat er vloeistof is opgezogen. Zuig geen vloeistof op zonder dat het vlottersysteem en het filter in het product zijn geplaatst.

5. Plaats de motorunit op de vuilcontainer en vergrendel de klemmen. (Fig. 12)

De vuilcontainer legen na het opzuigen van droog materiaal

1. Stop het product, zie *Product stoppen op pagina 222*.
2. Ontgrendel de klemmen en til de motorunit uit de stofzuiger. (Fig. 8)
3. Controleer of de filterzak vol is.
4. Verwijder de filterzak als deze vol is.



OPGELET: Zuig geen droog materiaal op als het filter en de filterzak zich niet op de juiste plaats bevinden.

5. Plaats een nieuwe filterzak, zie *De filterzak plaatsen op pagina 222*.

Let op: De zuigkracht van het product is afhankelijk van de afmeting en de kwaliteit van het filter en de filterzak. Gebruik alleen filters en filterzakken van Husqvarna.

6. Plaats de motorunit op de vuilcontainer en vergrendel de klemmen. (Fig. 12)

Het filter reinigen, filterreinigingssysteem

Het product heeft een semi-automatisch filterreinigingssysteem. Gebruik het filterreinigingssysteem regelmatig, uiterlijk wanneer de zuigprestaties niet meer voldoende zijn. Regelmatig gebruik van het filterreinigingssysteem verhoogt de levensduur van het filter.

1. Reinig het filter wanneer de zuigkracht niet meer voldoende is. (Fig. 30)
2. Plaats de slang in de aanzuigopening aan de voorkant van het product. (Fig. 16)
3. Sluit het apparaat aan op de netspanning.
4. Zet de hoofdschakelaar in de stand I. (Fig. 17)
5. Plaats de hendel in uw hand (A) om zuigkracht in uw hand te maken.
6. Sla 3 keer met uw vuist op de filterreinigingsknop (B). (Fig. 31)
7. Als de zuigkracht niet voldoende is, verwijdert u het filter, zie *Het filter vervangen op pagina 224*.
8. Schud, borstel of was het filter om het te reinigen.
9. Laat het filter drogen.
10. Monteer het filter, zie *De filterzak plaatsen op pagina 222*.

Product aan de buitenkant reinigen

1. Stop het product, zie *Product stoppen op pagina 222*.
2. Reinig het product met een droge doek en een kleine hoeveelheid reinigingspray.

Het filter vervangen

Het product is ontworpen voor continu zwaar gebruik. Afhankelijk van het aantal bedrijfsuren moet het stoffilter worden vervangen.

1. Stop het product, zie *Product stoppen op pagina 222*.
2. Ontgrendel de klemmen en til de motorunit uit de stofzuiger. (Fig. 8)
3. Draai de filterspanning (A) linksom en trek deze eruit. Trek het filter (B) eruit. (Fig. 32)
4. Plaats het nieuwe filter (A). Breng de filterspanning (B) aan en draai deze rechtsom. (Fig. 33)
5. Zorg ervoor dat het filter en de filterspanning op zijn plaats zitten. (Fig. 34)
6. Plaats de motorunit op de vuilcontainer en vergrendel de klemmen. (Fig. 12)

De filterzak vervangen

1. Stop het product, zie *Product stoppen op pagina 222*.

2. Ontgrendel de klemmen en til de motorunit uit de stofzuiger. (Fig. 8)
3. Controleer of de filterzak vol is. Verwijder de filterzak als deze vol is.
4. Trek het kartonnen deel van de oude filterzak van de aanzuigopening.
5. Til de filterzak (A) op en gooi deze weg.
6. Plaats de nieuwe filterzak in de vuilcontainer (B).
7. Bevestig het kartonnen deel van de filterzak op de aanzuigopening (C). Zorg ervoor dat het rubberen membraan zich boven het verhoogde gedeelte van de aanzuigopening bevindt. (Fig. 35)
8. Plaats de motorunit op de vuilcontainer en vergrendel de klemmen. (Fig. 12)

Vervoer, opslag en verwerking

Transport en opslag

- Na gebruik:
 - Haal de stekker uit het stopcontact als het product niet in gebruik is.
 - Wikkel het snoer op vanaf het product.
 - Gebruik de kabelhouder om het snoer op de motorunit te bevestigen.
 - Wikkel de slang op.
 - Gebruik de slanghouder om de slang op de motorunit te bevestigen.
- Transport:
 - Sluit alle klemmen op de motorunit.
 - Kantel het product niet als er vloeistof in de vuilcontainer zit.
 - Til het product niet op aan een kraanhaak.
- Opslag:
 - Bewaar het product in een droge en vorstvrije ruimte.

Het product recyclen

Volg deze stappen om het product onbruikbaar te maken.

1. Haal de stekker uit het stopcontact.
2. Knip het netsnoer door.
3. Gooi het product niet bij het huishoudelijk afval.

Afvoeren (in overeenstemming met 2012/19/EG):

Het product mag niet bij het gewone huisvuil worden weggegooid. Het moet worden afgevoerd volgens de plaatselijke milieuvoorschriften.

Zorg ervoor dat het product via uw gemeentelijke afvalinzamelingsdienst wordt opgehaald.

(Fig. 5)

Technische gegevens

Technische gegevens

	EU/CH		GB		AU/NZ		VS
	WDC 220	WDC 325L	WDC 220	WDC 325L	WDC 220	WDC 325L	WDC 225
Spanning, V	220-240	220-240	220-240	220-240	220-240	220-240	110-120
Vermogen P_{rec} , W	1000	1200	1000	1000	1000	1000	1000
Aangesloten belasting voor apparaataansluiting, W	-	2400 /1100	-	1900	-	1300	-
Frequentie, Hz	50/60				50-60		50/60
Zekeringen, A	10	16/10	13	13	10	10	15
Beschermingsklasse (vocht, stof)	IPX4						
Beschermingsklasse (elektrisch)	II (Fig. 4)	I	II (Fig. 4)	I	II (Fig. 4)	I	II (Fig. 4)
Luchtvolumedebiet, l/ min.	3600	3700	3600	3600	3600	3600	3200
Luchtvolumedebiet, cfm	127	130	127	127	127	127	113
Vacuüm, mbar	210	235	210	210	210	210	210
Geluidsdrukniveau op 1 m, EN 60704-1, dB(A) +/- 2	72						
Trillingen ISO 5349, m/s ² +/- 1	<1,5						
Gewicht, kg	7,5	8,5	7,5	8,5	7,5	8,5	7,5
Breedte, mm	377	376	377	376	377	376	377
Diepte, mm	385	392	385	392	385	392	392
Hoogte, mm	506	533	506	530	506	530	550

EG verklaring van overeenstemming

EG verklaring van overeenstemming

Husqvarna AB, SE-561 82 Huskvarna, Zweden, tel.: +46-36-146500, verklaart dat de **stofzuiger Husqvarna WDC 220, 3325L** voldoet aan de vereisten van de RICHTLIJNEN VAN DE RAAD:

- van 17 mei 2006 "met betrekking tot machines" **2006/42/EG**
- van 26 februari 2014 "met betrekking tot elektromagnetische compatibiliteit" **2014/30/EU**

De volgende normen zijn van toepassing:

EN 60335-1:2012+A11:2014, EN 60335-2-69:2012, EN 55014-1:2006+A1:2009+A2:2011, EN 55014-2:2015, EN 61000-3-2:2014, EN 61000-3-3:2013

Tenzij anders vermeld, betreft het de meest recente versies van de hierboven genoemde normen.

Huskvarna, 2018-08-01



Cornelia Ekbladh, Directeur Product Management

INNHold

Innledning.....	228	Vedlikehold.....	235
Sikkerhet.....	229	Transport, oppbevaring og avhending.....	236
Montering.....	233	Tekniske data.....	237
Drift.....	234	EF-samsvarserklæring.....	238

Innledning

Produktbeskrivelse

Produktet er en støvsuger til flere bruksområder, utformet for kommersiell bruk.

Bruksområder

Bruk produktet til å rengjøre tørt, ikke-brennbart støv og væsker.

Produktoversikt WDC 220, WDC 225

(Fig. 1)

1. Hovedbryter
2. Filterrensesystem
3. Vakuuminngang
4. Hjul
5. Kabelholder, slangeholder
6. Filterpose

Produktoversikt WDC 325L

(Fig. 2)

1. Hovedbryter
2. Filterrensesystem
3. Vakuuminngang
4. Hjul
5. Kabelholder, slangeholder
6. Filterpose
7. Dyse
8. Håndtak
9. Gulvmunnstykke
10. Munnstykke til bruk i sprekker
11. Bruksanvisning
12. Forlengelsesrør
13. Slange
14. Adapter for elektroverktøy
15. Elektrisk tilkopling for elektroverktøy
16. Verktøykasse

Symboler på produktet

(Fig. 3) Les nøye gjennom bruksanvisningen, og sørg for at du har forstått instruksjonene før bruk.

(Fig. 4) Enheten har dobbel isolering.

Les og følg sikkerhetsinstruksjonene og brukerhåndboken.

Du bør bare utføre vedlikehold og reparasjoner på produktet som oppgitt av produsenten.

Produsenten er ikke ansvarlig for skader som er et resultat av feil bruk, feil vedlikehold eller feil reparasjon.

7. Dyse
8. Håndtak
9. Gulvmunnstykke
10. Munnstykke til bruk i sprekker
11. Bruksanvisning
12. Forlengelsesrør
13. Slange

(Fig. 5) Ikke kast enheten som husholdningsavfall. Følg lokale bestemmelser.

(Fig. 6) Dette produktet samsvarer med gjeldende EF-direktiver.

Merk: Øvrige symboler/klistremærker angitt på produktet gjelder sertifiseringskrav for andre markeder.

Støvklasser L

(Fig. 7)

Følg sikkerhetsrådene og tilknyttede tiltak for støvklasser L.

Produktansvar

Som nevnt i lovverket om produktansvar er vi ikke ansvarlig for skader som produktet vårt forårsaker, i følgende tilfeller:

- Produktet er reparert på feil måte.
- Produktet er reparert med deler som ikke kommer fra produsenten eller som ikke er godkjent av produsenten.
- Produktet har et tilbehør som ikke kommer fra produsenten eller som ikke er godkjent av produsenten.

- Produktet er ikke reparert på et godkjent servicesenter eller av en godkjent aktør.

Sikkerhet

Sikkerhetsdefinisjoner

Advarsler, oppfordringer og merknader brukes for å understreke spesielt viktige deler av bruksanvisningen.



ADVARSEL: Brukes hvis det er fare for personskade eller død for brukeren eller andre personer om instruksjonene i håndboken ikke følges.



OBS: Brukes hvis det er fare for skade på produktet, annet materiell eller nærliggende områder om instruksjonene i håndboken ikke følges.

Merk: Brukes for å gi mer nødvendig informasjon for en spesifikk situasjon.

Generelle sikkerhetsinstruksjoner



ADVARSEL: Les de følgende advarselinstruksjonene før du bruker produktet.

- Hvis produktet og/eller et tilbehør er skadet, må det repareres av et godkjent servicesenter. Ikke bruk et skadet produkt.
- Ikke la barn bruke produktet. Ikke la en person uten kunnskap om instruksjonene bruke produktet eller gjennomføre vedlikehold av produktet.
- Produktet skal bare betjenes under oppsyn.
- Sørg for at du alltid overvåker personer med redusert fysisk eller mental kapasitet når de bruker produktet.
- Barn må holdes under oppsyn for å sikre at de ikke leker med produktet.
- Ikke benytt farlige arbeidsprosedyrer.
- Ikke bruk produktet uten at filtrene er i riktig posisjon.
- Slå av produktet, og koble fra støpselet i følgende situasjoner:
 - før rengjøring og vedlikehold
 - før reparasjon
 - hvis det er skum eller væske i området
- Ikke forlat produktet når det er tilkoblet. Koble fra støpselet når det ikke er i bruk og før vedlikehold.
- Bruk ikke apparatet dersom ledningen eller støpselet er skadet. Hold i støpselet, ikke ledningen, når du skal ta ut kontakten fra. Ikke hold i støpselet eller produktet med våte hender. Tilbakestill alle kontrollene før du kobler fra.
- Ikke løft produktet etter ledningen. Ikke bruk ledningen som et håndtak. Ikke lukk en dør på ledningen eller trekk ledningen rundt skarpe kanter eller hjørner. Ikke

kjør produktet over ledningen. Hold ledningen unna varme overflater.

- Hold hår, løstsittende klær, fingre og alle andre kroppsdeler unna åpninger og bevegelige deler. Ikke sett gjenstander inn i åpningene eller bruk produktet mens åpningen er blokkert. Hold åpningene fri for støv, lo, hår og alt annet som kan redusere tilførselen av luft.
- Ikke støvsug farlig støv med WDC 220, WDC 225.
- Ikke støvsug brennbare stoffer eller brennbare væsker som bensin. Ikke bruk produktet i områder der det kan finnes brennbare stoffer.
- Ikke støvsug noe som brenner eller ryker, for eksempel sigaretter, fyrstikker eller varm aske.
- Vær forsiktig når du støvsuger i trapper.
- Hvis skum eller væske kommer fra produktet, må produktet stanses øyeblikkelig.
- Ikke bruk produktet som en vannpumpe.
- Koble produktet til en korrekt jordet stikkontakt. Stikkontakten og skjøteledningen må ha en fungerende vernejording

(gjelder bare for produkter som ikke er dobbeltisolert).

- Kontroller at det er tilstrekkelig luftgjennomstrømming i arbeidsområdet.
- Ikke bruk produktet som en stige eller gardintrapp.
- Når støvfjernere brukes, og utløpsluften fra støvsugeren blåses tilbake i rommet, må det være tilstrekkelig rask luftutveksling i rommet. Følg nasjonale forskrifter før bruk.
- Hvis du har produkter i støvklasse L, WDC 325L, må du lære opp og instruere operatøren om følgende før bruk:
 - hvordan du bruker produktet
 - risikoen knyttet til materialet som skal plukkes opp
 - sikker avhending av materialet som plukkes opp
- Følgende gjelder for produkter i støvklasse L, WDC 325L:
 - Bruk produktet til å rengjøre tørt, ikke-brennbart støv og væsker, farlig støv der OEL¹⁾-verdien > 1 mg/m³. Støvklasse L (IEC 60335-2-69). Støvet i denne støvklassen har OEL¹⁾-verdier > 1 mg/m³.
 - Produkter merket med støvklasse L har et

utprøvd filtermateriale.
Den maksimale
gjennomtrengingsgraden er
1 %. Det er ingen spesielle
krav til avhending.

Merk: Følg lokale lover. Aldersgrense for bruk kan være underlagt lokale lover.

Sikkerhet for dobbeltisolerte produkter



ADVARSEL: Produktet må bare brukes som oppgitt i denne håndboken og med produsentens anbefalte tilbehør.



ADVARSEL: Gjelder bare i Storbritannia: Les disse viktige instruksjonene. Disse instruksjonene er utviklet med tanke på sikkerhet og effektivitet. Brukeren må ha fått opplæring av en godkjent instruktør og må forstå disse instruksjonene for bruk. Brukeren må kjenne til alle gjeldende tilhørende forskrifter og all lovgivning før bruk.



ADVARSEL: Før du kobler til produktet: Kontroller at nettspenningen og nettfrekvensen for strømforsyningen samsvarer med dataene på typeskiltet på støvsugeren for både vårt og tørt materiale.



ADVARSEL: Dette produktet har dobbel isolering. Bruk bare reservedeler for Husqvarna. Se instruksjonene for å finne ut hvordan du kan utføre service på dobbeltisolerte produkter.



ADVARSEL: Produktet har en spesiell ledning. Hvis ledningen er skadet, må den byttes ut med en ledning av samme type. Du får tak i ledningen på godkjente servicesentre og hos godkjent forhandlere, og den må installeres av godkjent personell.



ADVARSEL: Man trenger kunnskap om systemet for å utføre service på et produkt med dobbel isolering. Dobbeltisolerte produkter har to systemer for isolasjon i stedet for jording. Dobbeltisolerte produkter har ingen jordingsfunksjoner, og derfor skal heller ingen jordingsanordninger monteres på produktet. Service skal bare utføres av godkjent servicepersonell.

Reservedelene for et dobbeltisolert produkt må være identisk med delene de erstatter. Et dobbeltisolert produkt er merket med «DOUBLE INSULATION» (dobbelt isolasjon) eller «DOUBLE INSULATED» (dobbeltisolert). Det kan også være et symbol for dette på produktet.

Elektrisk sikkerhet

- Det anbefales at støvsugeren skal kobles til via en overbelastningsbryter for reststrøm.
- Organiser de elektriske delene (kontakter, støpsler og koblinger), og legg ned skjøteledning slik at beskyttelsesklassen opprettholdes.
- Kontakter og koblinger til strømledninger og skjøteledninger må være vanntette.

Skjøteledning

- Bare bruk skjøteledningstypen som er oppgitt av produsenten, eller en ledning av høyere kvalitet.
- Når du bruker en skjøteledning, må du kontrollere minimumstverrsnittene til kabelen:

Kabellengde	Tverrsnitt	
	< 16 A	< 25 A
< 20 m	1,5 mm ²	2,5 mm ²
20–50 m	2,5 mm ²	4,0 mm ²



ADVARSEL: Den øvre delen av støvsugeren inneholder strømførende komponenter. Kontakt med strømførende komponenter fører til alvorlige eller livstruende skader.

- Spray aldri vann på den øvre delen av støvsugeren.



ADVARSEL: Elektrisk støt på grunn av feil på koblingsledning. Hvis du berører en defekt koblingsledning, kan dette

føre til alvorlige eller livstruende skader.

- Du må ikke skade strømledningen (for eksempel ved å kjøre over den, dra i eller knuse den).
- Kontroller om strømledningen er ødelagt eller viser tegn på aldring.
- Hvis ledningen er skadet, må den skiftes ut av en autorisert Husqvarna-forhandler eller lignende kvalifisert personell for å unngå farlige situasjoner.
- Strømledningen må aldri, under noen omstendigheter, vikles rundt fingre eller andre deler av brukerens kropp.



OBS: Apparatkontakten (bare på enkelte modeller) er kun beregnet for formålene som er definert i bruksanvisningen. Tilkobling av andre apparater kan føre til skade.

- Før du kobler til et apparat, må produktet og apparatet som skal kobles til, alltid være avslått.
- Les bruksanvisningen til apparatet som skal kobles til,

og følg sikkerhetsmerkene for apparatene.



OBS: Skader som forårsakes av uegnede nettspenninger. Apparatet kan skades hvis det kobles til en uegnet nettspenning.

- Kontroller at nettspenningen og nettfrekvensen for strømforsyningen samsvarer med dataene på typeskiltet på støvsugeren for både vårt og tørt materiale.

Sikkerhetsinstruksjoner for drift

Slik rengjør du væsker



OBS: Ikke rengjør brennbare væsker.

- Fjern filterposen før du begynner med å rengjøre væsker. Kontroller at funksjonen for flytegrensen eller vannivågrensen fungerer riktig.
- Bruk et spesialfilterelement eller en filtersil.
- Hvis det kommer skum fra produktet, må du stoppe arbeidet umiddelbart og tømme vannbeholderen.

Farlige materialer



ADVARSEL: Ikke rengjør farlige materialer. Dette kan forårsake skade.

- Ikke rengjør følgende materialer:
 - farlig støv
 - varme materialer, for eksempel tente sigaretter og varm aske
 - brennbare, eksplosive og aggressive væsker, for eksempel bensin, løsemidler, syrer og baser
 - brennbart, eksplosivt støv, for eksempel magnesium- eller aluminiumstøv

Reservedeler og tilbehør



OBS: Bruk bare -reservedeler og -tilbehør for at produktets sikkerhet opprettholdes.

- Bruk bare reservedeler og tilbehør fra Husqvarna.
- Bruk bare børstene som følger med produktet eller som det refereres til i bruksanvisningen.

Eksplodivt eller brannfarlig miljø



OBS: Ikke bruk produktet i eksplosive eller brannfarlige omgivelser. Ikke bruk produktet i nærheten av væsker eller gasser som skaper brannfare.

Blåsefunksjon



ADVARSEL: Støv kan føre til helseproblemer. Produktet har en

blåsefunksjon. Ikke blås den utgående luften tilfeldig i lukkede områder. Bruk bare blåsefunksjonen med en ren slange.

Sikkerhetsinstruksjoner for vedlikehold



ADVARSEL: Les de følgende advarslene før du utfører vedlikehold av produktet.

Slik tømmer du støvbeholderen



OBS: Rengjort materiale kan være farlig for miljøet. Avhend støvet i samsvar med lover og forskrifter.

Montering



ADVARSEL: Les og forstå kapittelet om sikkerhet før du monterer produktet.

Før installasjon

1. Løsne klemmene, og løft av motorenheten. (Fig. 8)
2. Fjern tilbehøret fra støvbeholderen. (Fig. 9)
3. Kontroller at alle delene følger med. Se produktoversikten. Nødvendige verktøy: Skrutrekker

Slik monterer du filterposen

1. Sett hovedbryteren i stillingen 0.
2. Koble fra produktet. (Fig. 10)
3. Løsne klemmene, og løft av motorenheten. (Fig. 8)
4. Sett filterposen i støvbeholderen.
5. Fest papddelen av filterposen på vakuuminngangen. Kontroller at gummimembranen går forbi forhøyningen på vakuuminngangen. (Fig. 11)
6. Sett motorenheten på støvbeholder, og lås klemmene. (Fig. 12)

Slik fester du tilbehøret

1. Plasser tilbehøret på riktig sted, slik at det enkelt kan nås. (Fig. 13)

2. Fest verktøykassen på baksiden av produktet. (Fig. 14)
3. Fest kabelholderen og slangen på baksiden av produktet. (Fig. 15)

Slik fester du slangen

1. Sett slangen inn i vakuuminngangen på forsiden av produktet. (Fig. 16)
2. Koble apparatet til stikkkontakten.
3. Sett hovedbryteren i stillingen «I». (Fig. 17)
4. Juster sugeseffekten på håndtaket eller ved hovedbryteren*. *Bare tilgjengelig på enkelte modeller. (Fig. 18)

Slik monterer du rørholderen

1. Skyv rørholderen vertikalt på forlengelsesrøret.
2. Bruk en skrutrekker til å montere rørholderen i riktig høyde for forlengelsesrøret. (Fig. 19)
3. Plasser forlengelsesrøret i holderne på baksiden av produktet. (Fig. 20)

Innledning



ADVARSEL: Før du bruker produktet, må du lese og forstå kapittelet om sikkerhet.

Slik starter du produktet

Før produktet brukes må du sørge for at frekvensen og spenningen angitt på typeskiltet er den samme som nettspenningen.

1. Kontroller at hovedbryteren er satt til «0». (Fig. 10)
2. Kontroller at riktige filtre er på plass i produktet.
3. Sett slangen inn i vakuuminngangen foran på produktet. Skyv slangen forover til den sitter godt festet i vakuuminngangen. (Fig. 16)
4. Koble de to forlengelsesrørene til håndtaket. Vri forlengelsesrørene for å sikre at de sitter godt på plass.
5. Koble et munnstykke til forlengelsesrøret. Velg munnstykke basert på materialtypen som skal rengjøres.
6. Koble støpselet til stikkkontakten.
7. Vri hovedbryteren til posisjon «I» for å starte produktet. (Fig. 17)

Slik stopper du produktet

1. Vri hovedbryteren til posisjon «0» for å stoppe produktet.
2. Koble produktet fra stikkkontakten. (Fig. 10)

Slik bruker du blåsefunksjonen

1. Sett slangen inn i åpningen på baksiden av produktet. (Fig. 21)
2. Koble støpselet til stikkkontakten.
3. Sett hovedbryteren i stillingen «I». (Fig. 17)
4. Juster blåseeffekten på håndtaket eller med hovedbryteren*. *Bare tilgjengelig på enkelte modeller. (Fig. 22)

Slik bruker du kontakten for elektroverktøy*

*Bare tilgjengelig på enkelte modeller.



OBS: Følg bruksanvisningen og sikkerhetsinstruksjonene for apparater som er koblet til kontakten for elektroverktøy.

Merk: Det maksimale strømforbruket til det tilkoblede verktøyet oppgis i avsnittet *Tekniske data på side 237*.

1. Kontroller at bryteren på elektroverktøyet er i stillingen «0». (Fig. 23)
2. Koble håndtaket fra slangen. Trykk klemmene på slangeenden (A), og trekk ut håndtaket (B). (Fig. 24)
3. Koble til adapteren for elektroverktøyet. (Fig. 25)
4. Juster sugoeffekten på adapteren for elektroverktøyet eller med hovedbryteren*. *Bare tilgjengelig på enkelte modeller. (Fig. 26)
5. Koble slangen til vakuuminngangen til produktet og til elektroverktøyet. Koble kabelen på elektroverktøyet til den elektriske tilkoblingen på produktet. (Fig. 27)
6. Kontroller at bryteren på elektroverktøyet er i stillingen «0». (Fig. 23)
7. Vri hovedbryteren på produktet til stillingen for elektroverktøy (A).
8. Vri bryteren for elektroverktøy til «I» (B). (Fig. 28)

Merk: Du kan starte og stoppe produktet ved å bruke hovedbryteren på produktet (A) eller elektroverktøyet (B).

Slik rengjør du væske

Merk: Produktet har et flottørsystem som stopper luftstrømmen gjennom produktet når maksimalt væskeniå er nådd.



OBS: Ikke rengjør væsker uten at flottørsystemet er i posisjon.

1. Kontroller at filteret og filterstrammeren (flottørsystemet) er i riktig posisjon. Se *Slik skifter du filteret på side 236*. Fjern filterposen hvis den er installert.
2. Bruk gulvmunnstykket til rengjøring av væske.
3. Når du når maksimalt væskeniå, kan du høre en merkbart endring av motorlyden. Sugoeffekten reduseres.
4. Stopp produktet. Se *Slik stopper du produktet på side 234*.
5. Tøm støvbeholderen. Se *Slik tømmer du støvbeholderen etter innsamling av væsker på side 235*.

Vedlikehold

Innledning



ADVARSEL: Før du utfører vedlikeholdsarbeid, må du lese og forstå kapittelet om sikkerhet.

For alt vedlikehold og reparasjonsarbeid på produktet er det nødvendig med spesiell opplæring. Vi garanterer fagmessig reparasjon og service. Hvis forhandleren ikke er et serviceverksted, må du snakke med dem for å få informasjon om nærmeste serviceverksted.

Regelmessig service og inspeksjon

- Regelmessig service og inspeksjon av produktet må gjøres av kvalifisert personell i tråd med aktuelle lover og bestemmelser.
- Elektriske tester for jordingskontinuitet, isolasjonsmotstand, og tilstanden til den fleksible ledningen må utføres regelmessig.
- Hvis det finnes feil, **må** produktet tas ut av bruk og repareres av en godkjent servicetekniker.

Vedlikehold av produkter i støvklasse L

Følgende gjelder for produkter i støvklasse L, WDC 325L.

- Under vedlikehold og rengjøring må produktet brukes på en sikker måte av vedlikeholdspersonell eller andre personer.
- På vedlikeholdsområdet:
 - Bruk filtrert obligatorisk luftstrøm.
 - Bruk verneklær.
 - Rengjør vedlikeholdsområdet, slik at ingen skadelige materialer spres til andre områder.
- Hvis delene ikke kan rengjøres ordentlig under vedlikehold og reparasjon:
 - Legg delene i poser som er forsvarlig forseglet.
 - Avhend delene i samsvar med lover og forskrifter.

Slik tømmer du støvbeholderen etter innsamling av væsker

1. Stopp produktet. Se *Slik stopper du produktet på side 234*.
2. Koble slangen fra vakuuminngangen ved å trekke ut slangen.
3. Løsne klemmene, og løft av motorenheten. (Fig. 8)
4. Tøm støvbeholderen ved å vippe den bakover og helle væsken i et sluk. *Håndtaket finnes bare på enkelte modeller. (Fig. 29)



OBS: Du må alltid tømme og rengjøre støvbeholderen og flottørsystemet etter at væsken er fanget opp. Du må ikke samle opp væske uten at flottørsystemet og filteret er montert på produktet.

5. Sett motorenheten på støvbeholder, og lås klemmene. (Fig. 12)

Slik tømmer du støvbeholderen etter tørrengjøring

1. Stopp produktet. Se *Slik stopper du produktet på side 234*.
2. Løsne klemmene, og løft av motorenheten. (Fig. 8)
3. Gjennomfør en kontroll for å se om filterposen er full.
4. Fjern filterposen hvis den er full.



OBS: Ikke samle opp tørt materiale uten at filteret og filterposen er på plass.

5. Sett inn en ny filterpose. Se *Slik monterer du filterposen på side 233*.

Merk: Sugeeffekten til produktet er avhengig av dimensjonene og kvalitet på filteret og filterposen. Bruk bare filter og filterposer fra Husqvarna.

6. Sett motorenheten på støvbeholder, og lås klemmene. (Fig. 12)

Slik rengjør du filteret og filterrengjøringsssystemet

Produktet har et halvautomatisk filterrengjøringsssystem. Bruk filterrengjøringsssystemet regelmessig, spesielt når rengjøringsytelsen ikke lenger er tilstrekkelig. Regelmessig bruk av filterrengjøringsssystemet øker levetiden til filteret.

1. Rengjør filteret når sugeeffekten ikke lenger er tilstrekkelig. (Fig. 30)
2. Sett slangen inn i vakuuminngangen på forsiden av produktet. (Fig. 16)
3. Koble apparatet til stikkkontakten.
4. Sett hovedbryteren i stillingen «I». (Fig. 17)
5. Legg håndtaket i hånden din (A) for å suge på håndflaten din.
6. Slå på knappen for filterrengjøring tre ganger med knytneven (B). (Fig. 31)
7. Hvis sugeeffekten ikke er tilstrekkelig, fjerner du filteret. Se *Slik skifter du filteret på side 236*.
8. Rist, børst eller vask filteret for å rengjøre det.
9. La filteret tørke.

10. Monter filteret. Se *Slik monterer du filterposen på side 233*.

Slik rengjør du produktet på utsiden

1. Stopp produktet. Se *Slik stopper du produktet på side 234*.
2. Rengjør produktet med en tørr klut og litt poleringspray.

Slik skifter du filteret

Produktet er konstruert for kontinuerlig tungt arbeid. Støvfilteret må erstattes avhengig av antall driftstimer.

1. Stopp produktet. Se *Slik stopper du produktet på side 234*.
2. Løsne klemmene, og løft av motorenheten. (Fig. 8)
3. Roter filterstrammeren (A) mot klokken, og dra den ut. Trekk ut filteret (B). (Fig. 32)
4. Sett inn det nye filteret (A). Monter filterstrammeren (B), og roter den med klokken. (Fig. 33)
5. Kontroller at filteret og filterstrammeren er i riktig posisjon. (Fig. 34)

6. Sett motorenheten på støvbeholder, og lås klemmene. (Fig. 12)

Slik skifter du ut filterposen

1. Stopp produktet. Se *Slik stopper du produktet på side 234*.
2. Løsne klemmene, og løft av motorenheten. (Fig. 8)
3. Gjennomfør en kontroll for å se om filterposen er full. Fjern filterposen hvis den er full.
4. Dra pappdelen til den gamle filterposen fra vakuuminngangen.
5. Løft filterposen (A), og kast den.
6. Sett den nye filterposen inn i støvbeholderen (B).
7. Fest pappdelen til filterposen på vakuuminngangen (C). Kontroller at gummimembranen går forbi forhøyningen på vakuuminngangen. (Fig. 35)
8. Sett motorenheten på støvbeholder, og lås klemmene. (Fig. 12)

Transport, oppbevaring og avhending

Transport og oppbevaring

- Etter bruk:
 - Koble støpselet fra kontakten når produktet ikke er i bruk.
 - Rull opp ledningen fra enden som er festet til produktet.
 - Bruk kabelholderen til å feste ledningen til motorenheten.
 - Rull opp slangen.
 - Bruk slangeholderen til å feste slangen på motorenheten.
- Transport:
 - Lukk alle klemmene på motorenheten.
 - Du må ikke vippe produktet hvis det finnes væske i støvbeholderen.
 - Ikke bruk en krankrok til å løfte produktet.
- Oppbevaring:
 - Oppbevar produktet på et tørt og frostfritt sted.

Slik resirkulerer du produktet

Følg disse trinnene for å gjøre produktet ubrukelig.

1. Koble produktet fra stikkkontakten.
2. Klipp av strømledningen.
3. Ikke kast batteriet som vanlig husholdningsavfall.

Avhending (i samsvar med 2012/19/EC):

Dette produktet må ikke avhendes som vanlig husholdningsavfall. Det må avhendes i samsvar med lokale miljøforskrifter.

Sørg for at produktet avhendes via et godkjent avfallsmottak der du bor.

(Fig. 5)

Tekniske data

Tekniske data

	EU/CH		NO		AU/NZ		USA
	WDC 220	WDC 325L	WDC 220	WDC 325L	WDC 220	WDC 325L	WDC 225
Spenning, V	220–240	220–240	220–240	220–240	220–240	220–240	110–120
Strøm _{del.} W	1000	1200	1000	1000	1000	1000	1000
Strømførbuk ved tilkoblet apparatstøpsel, W	-	2400 /1100	-	1900	-	1300	-
Frekvens, Hz	50/60				50–60		50/60
Sikring, A	10	16/10	13	13	10	10	15
Beskyttelseskategori (fukt, støv)	IPX4						
Beskyttelsesklasse (elektrisk)	II (Fig. 4)	I	II (Fig. 4)	I	II (Fig. 4)	I	II (Fig. 4)
Luftvolumstrøm, l/min	3600	3700	3600	3600	3600	3600	3200
Luftvolumstrøm, cfm	127	130	127	127	127	127	113
Vakuüm, mbar	210	235	210	210	210	210	210
Lydtrykknivå ved 1 m, EN 60704-1, dB(A) +/- 2	72						
Vibrasjon ISO 5349, m/s ² +/- 1	<1,5						
Vekt, kg	7,5	8,5	7,5	8,5	7,5	8,5	7,5
Bredde, mm	377	376	377	376	377	376	377
Dybde, mm	385	392	385	392	385	392	392
Høyde, mm	506	533	506	530	506	530	550

EF-samsvarserklæring

EF-samsvarserklæring

Husqvarna AB, SE-561 82 Huskvarna, Sverige, tlf.:
+46-36-146500, erklærer med dette at **støvsuger**
Husqvarna WDC 220, 3325L samsvarer med kravene
i RÅDSDIREKTIV:

- fra 17. mai 2006, «angående maskiner» **2006/42/EF**
- fra 26. februar 2014 «angående elektromagnetisk
kompatibilitet» **2014/30/EU**

Følgende standarder er blitt tillempet:

**EN 60335-1:2012+A11:2014, EN 60335-2-69:2012, EN
55014-1:2006+A1:2009+A2:2011, EN 55014-2:2015,
EN 61000-3-2:2014, EN 61000-3-3:2013**

Hvis ikke annet er angitt, er de ovenfor oppgitte
standarder de nyeste publiserte versjonene.

Huskvarna, 2018-08-01



Cornelia Ekblad, direktør for produktforvaltning

SPIS TREŚCI

Wstęp.....	239	Przegląd.....	246
Bezpieczeństwo.....	240	Transport, przechowywanie i utylizacja.....	248
Montaż.....	245	Dane techniczne.....	249
Przeznaczenie.....	245	Deklaracja zgodności WE.....	250

Wstęp

Opis produktu

Produkt jest uniwersalnym odkurzaczem przeznaczonym do użytku handlowego.

Przeznaczenie

Używać produktu do czyszczenia suchych materiałów, niepalnego kurzu i płynów.

Przegląd produktu WDC 220, WDC 225

(Rys. 1)

1. Wyłącznik główny
2. System oczyszczania filtra
3. Wlot do odkurzacza
4. Koła
5. Uchwyt na przewód, uchwyt na wąż
6. Worek filtracyjny

Przegląd produktu WDC 325L

(Rys. 2)

1. Wyłącznik główny
2. System oczyszczania filtra
3. Wlot do odkurzacza
4. Koła
5. Uchwyt na przewód, uchwyt na wąż
6. Worek filtracyjny
7. Dysza
8. Uchwyt
9. Dysza do podłóg
10. Szczelinówka
11. Instrukcja obsługi
12. Rura przedłużająca
13. Wąż
14. Adapter do elektronarzędzi
15. Złącze elektryczne do elektronarzędzi
16. Skrzynka narzędziowa

Symbole znajdujące się na produkcie

- (Rys. 3) Przed przystąpieniem do pracy należy dokładnie i ze zrozumieniem zapoznać się z treścią niniejszej instrukcji obsługi.

Przeczytać i przestrzegać instrukcji bezpieczeństwa i instrukcji obsługi.

Należy wykonywać wyłącznie prace konserwacyjne i naprawcze urządzenia określone przez producenta.

Producent nie ponosi odpowiedzialności za uszkodzenia wynikające z nieprawidłowego użytkowania, nieprawidłowej konserwacji lub nieprawidłowej naprawy.

7. Dysza
8. Uchwyt
9. Dysza do podłóg
10. Szczelinówka
11. Instrukcja obsługi
12. Rura przedłużająca
13. Wąż

(Rys. 4) Urządzenie jest wyposażone w podwójną izolację.

(Rys. 5) Nie wolno utylizować urządzenia jak zwykłego odpadu domowego. Należy przestrzegać lokalnych wymogów.

(Rys. 6) Produkt jest zgodny z odpowiednimi dyrektywami Komisji Europejskiej.

Uwaga: Pozostałe symbole/naklejki samoprzylepne umieszczone na produkcie dotyczą wymogów związanych z certyfikatami w innych obszarach komercyjnych.

Pył klasy L

(Rys. 7)

Należy przestrzegać zaleceń dotyczących bezpieczeństwa i związanych z nimi środków bezpieczeństwa dla pyłu klasy L.

Odpowiedzialność za produkt

Zgodnie z przepisami dotyczącymi odpowiedzialności za produkt nie ponosimy odpowiedzialności za szkody spowodowane przez nasz produkt, jeśli:

- produkt jest nieprawidłowo naprawiany.
- produkt jest naprawiany przy użyciu części nie pochodzących od producenta lub niezatwierdzonych przez producenta.
- produkt jest wyposażony w akcesoria nie pochodzące od producenta lub niezatwierdzone przez producenta.

- produkt nie jest naprawiany w autoryzowanym centrum serwisowym lub przez autoryzowaną placówkę.

Bezpieczeństwo

Definicje dotyczące bezpieczeństwa

Ostrzeżenia, uwagi i informacje są używane do zwrócenia uwagi na szczególnie ważne sekcje instrukcji obsługi.



OSTRZEŻENIE: Jest używane, gdy istnieje ryzyko poważnych obrażeń, śmierci operatora lub uszkodzenia otoczenia w wyniku nieprzestrzegania instrukcji obsługi.



UWAGA: Jest używane, gdy istnieje ryzyko uszkodzenia materiałów lub urządzenia w wyniku nieprzestrzegania instrukcji obsługi.

Uwaga: Stosuje się, aby przekazać więcej informacji, które są przydatne w danej sytuacji.

OGÓLNE ZASADY BEZPIECZEŃSTWA



OSTRZEŻENIE: Przed rozpoczęciem użytkowania produktu przeczytać następujące ostrzeżenia.

- Jeśli produkt i/lub akcesoria są uszkodzone, muszą zostać naprawione przez autoryzowany punkt serwisowy. Nie wolno używać uszkodzonego produktu.
- Nie pozwalać dzieciom używać produktu. Nie pozwalać osobom nieznanym instrukcji na korzystanie z produktu lub wykonywanie prac konserwacyjnych.
 - Z produktu nie wolno korzystać bez nadzoru.
 - Należy zawsze kontrolować osobę o ograniczonych możliwościach fizycznych lub umysłowych, która korzysta z produktu.
 - Dzieci muszą być pod nadzorem, aby nie dopuścić do zabawy produktem.
 - Nie stosować niebezpiecznych procedur pracy.
 - Nie używać produktu bez prawidłowo założonych filtrów.
 - Zatrzymać produkt i odłączyć wtyczkę sieciową w następujących sytuacjach:
 - Przed czyszczeniem i konserwacją.
 - Przed naprawą.
 - W przypadku obecności piany lub płynu w jej obszarze.
 - Nie odchodzić od produktu, gdy jest podłączony. Odłączyć wtyczkę przewodu sieciowego, gdy produkt nie jest używany i przed przystąpieniem do czynności konserwacyjnych.

- Nie wolno używać produktu w przypadku uszkodzenia przewodu lub wtyczki. Podczas odłączania trzymać wtyczkę, a nie przewód. Nie trzymać wtyczki ani produktu mokrymi rękami. Przed odłączeniem należy wyzerować wszystkie elementy sterujące.
- Nie ciągnąc produktu, trzymając go za przewód. Nie używać przewodu jako uchwytu. Nie przyciskać przewodu drzwiami ani nie przeciągać przewodu po ostrych krawędziach lub narożnikach. Nie przejeżdżać produktem po przewodzie. Trzymać przewód z daleka od gorących powierzchni.
- Uważać, aby włosy, luźne ubrania, palce i inne części ciała nie dostały się do otworów i części ruchomych. Nie wkładać żadnych przedmiotów w otwory ani nie korzystać z produktu z zablokowanymi otworami. Utrzymywać otwory wolne od kurzu, włókien, włosów i innych zabrudzeń, które mogą zmniejszyć przepływ powietrza.
- Nie wolno odkurzać niebezpiecznych pyłów za pomocą WDC 220, WDC 225.
- Nie wolno odkurzać łatwopalnych cieczy, takich jak benzyna. Nie wolno używać produktu w miejscach, w których takie produkty mogą występować.
- Nie wolno też odkurzać tłących się lub palących przedmiotów, takich jak papierosy, zapałki lub gorący popiół.
- Należy zachować ostrożność podczas odkurzania na schodach.
- Jeśli piana lub płyn wydostają się z produktu, natychmiast zatrzymać produkt.
- Nie używać produktu jako pompy wody.
- Podłączyć produkt do prawidłowo uziemionego gniazdka sieciowego. Gniazdko sieciowe i przedłużacz muszą być wyposażone w sprawny przewód ochronny (dotyczy tylko produktów bez podwójnej izolacji).
- Upewnić się, że w obszarze roboczym jest dobry przepływ powietrza.
- Nie używać produktu jako drabiny lub stopnia.
- W przypadku używania odkurzaczy do pyłu, gdy powietrze wylotowe

z odkurzacza jest wydmuchiwane do pokoju, należy odpowiednio dostosować prędkość wymiany powietrza w pokoju. Należy przestrzegać krajowych przepisów.

- W przypadku produktów do pyłu klasy L, WDC 325L, poinstruować i wyszkolić operatora:
 - W zakresie korzystania z produktu.
 - W zakresie ryzyka związanego z wciągnięciem materiału.
 - W zakresie bezpiecznego usuwania wciągniętego materiału.
- Dla produktów do pyłu klasy L, WDC 325L, zastosowanie mają następujące zasady:
 - Używać produktu do odkurzania suchego, niepalnego pyłu i cieczy oraz niebezpiecznych pyłów o wskaźniku OEL¹) > 1 mg/m³. Pył klasy L (IEC 60335-2-69). Pył tej klasy ma wskaźnik OEL¹) > 1 mg/m³.
 - Produkty do pyłu klasy L są wyposażone w przetestowany materiał filtra. Maksymalny stopień

przepuszczalności wynosi 1%. Nie ma specjalnych wymagań dotyczących utylizacji.

Uwaga: Należy zapoznać się z lokalnymi przepisami. Mogą one określać wiek użytkownika.

Bezpieczeństwo produktów z podwójną izolacją



OSTRZEŻENIE: Należy używać produktu w sposób podany w niniejszej instrukcji obsługi i tylko z zalecanymi przez producenta akcesoriami.



OSTRZEŻENIE: Dotyczy tylko Wielkiej Brytanii: Należy przeczytać te ważne instrukcje. Instrukcje te zostały przygotowane z myślą o bezpieczeństwie i wydajności. Operator musi być przeszkolony przez zatwierdzonego instruktora i musi rozumieć te instrukcje obsługi. Operator musi znać wszystkie odpowiednie przepisy obowiązujące w momencie wykonywania pracy.



OSTRZEŻENIE: Przed podłączeniem produktu: Należy upewnić się, że napięcie sieciowe oraz częstotliwość zasilania odpowiadają danym na tabliczce znamionowej odkurzacza pracującego na mokro/sucho.



OSTRZEŻENIE: Ten produkt jest wyposażony w podwójną izolację. Używać wyłącznie części zamiennych Husqvarna. Patrz instrukcje na temat sposobu serwisowania produktów z podwójną izolacją.



OSTRZEŻENIE: Produkt jest wyposażony w specjalny przewód. Jeśli przewód jest uszkodzony, należy go wymienić na przewód tego samego typu. Jest on dostępny w autoryzowanych centrach serwisowych i u dealerów i musi być zainstalowany przez autoryzowany personel.



OSTRZEŻENIE: Serwisowanie produktów z podwójną izolacją wymaga znajomości systemu. W przypadku

produktów z podwójną izolacją, zamiast uziemienia zastosowane są dwa systemy izolacji. W produktach z podwójną izolacją nie ma możliwości zastosowania uziemienia i nie należy podłączać go do urządzenia. Czynności serwisowe mogą być wykonywane wyłącznie przez autoryzowany personel serwisowy. Części zamienne do produktów z podwójną izolacją muszą być identyczne z oryginalnymi częściami. Produkt z podwójną izolacją jest oznaczony słowami „PODWÓJNA IZOLACJA” lub „Z PODWÓJNĄ IZOLACJĄ”. Na produkcie może być również użyty symbol.

Zasady bezpieczeństwa – elektryczność

- Zaleca się, aby odkurzacz był podłączany przez wyłącznik automatyczny z zabezpieczeniem nadprądowym.
- Ułożyć elementy elektryczne (gniazda, wtyczki i złącza) i położyć przedłużacz w taki sposób, aby zachować odpowiednią klasę zabezpieczeń.
- Złącza przewodów zasilających i przedłużacze muszą być wodoszczelne.

Przewód przedłużacza

- Jako przedłużacza należy używać tylko wersji określonej przez producenta lub wersji o wyższej jakości.
- W przypadku korzystania z przedłużacza należy sprawdzić minimalny przekrój przewodu:

Długość przewodu	Przekrój	
	< 16 A	< 25 A
< 20 m	1,5 mm ²	2,5 mm ²
2050 m	2,5 mm ²	4,0 mm ²



OSTRZEŻENIE: Górna część odkurzacza zawiera elementy elektryczne. Kontakt z elementami elektrycznymi może doprowadzić do poważnych, a nawet śmiertelnych obrażeń.

- Nigdy nie rozpylać wody na górną część odkurzacza.



OSTRZEŻENIE: Porażenie prądem na skutek uszkodzonego przewodu zasilającego. Dotknięcie uszkodzonego przewodu zasilającego może spowodować poważne, a nawet śmiertelne obrażenia.

- Nie uszkadzać przewodu zasilającego (np. poprzez przejeżdżanie po nim, ciągnięcie lub zginiatanie).
- Regularnie sprawdzać przewód zasilający pod kątem uszkodzeń lub zużycia.
- Jeśli przewód elektryczny jest uszkodzony, musi zostać wymieniony przez autoryzowanego dystrybutora Husqvarna lub osobę o podobnych kwalifikacjach, aby uniknąć niebezpieczeństwa.
- W żadnym wypadku nie należy owijać przewodu zasilającego wokół palców ani żadnej innej części ciała operatora.



UWAGA: Gniazdo do zasilania urządzeń (tylko w niektórych modelach) jest przeznaczone wyłącznie do celów

określonych w instrukcji obsługi. Podłączanie innych urządzeń może spowodować uszkodzenie.

- Przed podłączeniem urządzenia należy zawsze wyłączyć produkt i urządzenie, które ma zostać podłączone.
- Należy zapoznać się z instrukcjami obsługi urządzenia, które ma zostać podłączone i przestrzegać zawartych w nim zaleceń dotyczących bezpieczeństwa.



UWAGA: Uszkodzenie spowodowane nieodpowiednim napięciem sieciowym. Urządzenie może ulec uszkodzeniu w wyniku podłączenia do nieodpowiedniego napięcia sieciowego.

- Należy upewnić się, że napięcie sieciowe oraz częstotliwość zasilania odpowiadają danym na tabliczce znamionowej odkurzacza pracującego na mokro/sucho.

Instrukcje bezpieczeństwa dotyczące obsługi

Odkurzanie cieczy



UWAGA: Nie wolno odkurzać łatwopalnych cieczy.

- Przed rozpoczęciem odkurzania cieczy należy wyjąć worek filtracyjny. Sprawdzić, czy pływak lub ogranicznik poziomu wody działają prawidłowo.
- Użyć specjalnego wkładu filtra lub osłony filtra.
- Jeśli piana wydobywa się z produktu, natychmiast przerwać pracę i opróżnić zbiornik.

Materiały niebezpieczne



OSTRZEŻENIE: Nie odkurzać materiałów niebezpiecznych. Może to spowodować obrażenia ciała.

- Nie odkurzać następujących materiałów:
 - niebezpieczny pył;
 - gorące materiały, na przykład palące się papierośy i gorący popiół;
 - łatwopalne, wybuchowe, żrące płyny, na przykład benzyna, rozpuszczalniki, kwasy i zasady;
 - łatwopalny, wybuchowy pył, na przykład magnez lub pył aluminiowy.

Części zamienne i akcesoria



UWAGA: Używać tylko części zamiennych i akcesoriów, aby zapewnić bezpieczeństwo produktu.

- Używać tylko części zamiennych i akcesoriów Husqvarna.
- Należy używać wyłącznie szczotek dostarczonych wraz z produktem lub wymienionych w instrukcji obsługi.

Atmosfera wybuchowa lub łatwopalna



UWAGA: Nie wolno używać produktu w atmosferze wybuchowej lub łatwopalnej. Nie wolno używać produktu w pobliżu cieczy, gazu lub oparów, które mogą powodować powstawanie środowiska palnego.

Funkcja dmuchawy



OSTRZEŻENIE: Pył może powodować problemy zdrowotne. Produkt jest wyposażony w funkcję dmuchawy. Nie kierować strumienia powietrza w losowe

miejsca w zamkniętych pomieszczeniach.
Używać funkcji dmuchawy wyłącznie
z czystym węzmem.

produktu przeczytać wszystkie następujące
ostrzeżenia.

Instrukcje bezpieczeństwa dotyczące konserwacji



OSTRZEŻENIE: Przed rozpoczęciem prac konserwacyjnych

Opróżnianie pojemnika na kurz i brud



UWAGA: Odkurzony materiał może być niebezpieczny dla środowiska. Usunąć nieczystości zgodnie z przepisami.

Montaż



OSTRZEŻENIE: Przed zmontowaniem produktu należy zapoznać się z rozdziałem dotyczącym bezpieczeństwa.

2. Przymocować skrzynkę narzędziową z tyłu produktu. (Rys. 14)
3. Zamocować uchwyt na przewód i wąż z tyłu produktu. (Rys. 15)

Czynności przed montażem

1. Odblokować klamry i wyjąć moduł silnika. (Rys. 8)
2. Wyjąć akcesoria z pojemnika na kurz i brud. (Rys. 9)
3. Upewnić się, że wszystkie części są dostępne. Patrz przegląd produktu. Potrzebne narzędzia: Śrubokręt.

Zakładanie worka filtracyjnego

1. Ustawić główny wyłącznik w położeniu „0”.
2. Odłączyć produkt. (Rys. 10)
3. Odblokować klamry i wyjąć moduł silnika. (Rys. 8)
4. Umieścić worek filtracyjny w pojemniku na kurz i brud.
5. Umieścić tekturową część worka filtracyjnego na wlocie odkurzacza. Upewnić się, że gumowa membrana jest umieszczona za występem na rurze wlotowej odkurzacza. (Rys. 11)
6. Założyć moduł silnika na pojemnik na kurz i brud i zablokować klamry. (Rys. 12)

Montaż akcesoriów

1. Umieścić akcesoria w odpowiednich dla nich miejscach, aby mieć do nich łatwy dostęp. (Rys. 13)

Montaż węża

1. Założyć wąż na wlot odkurzacza z przodu produktu. (Rys. 16)
2. Podłączyć urządzenie do sieci elektrycznej.
3. Ustawić główny wyłącznik w położeniu „I”. (Rys. 17)
4. Wyregulować moc ssania na uchwycie lub za pomocą wyłącznika głównego*. *Tylko w niektórych modelach. (Rys. 18)

Montaż uchwytu rury

1. Przesunąć uchwyt rury w pionie na rurze przedłużającej.
2. Za pomocą śrubokręta zamontować uchwyt rury na odpowiedniej wysokości rury przedłużającej. (Rys. 19)
3. Umieścić rurę przedłużającą w uchwytach w tylnej części produktu. (Rys. 20)

Przeznaczenie

Wstęp



OSTRZEŻENIE: Przed użyciem urządzenia należy przeczytać ze zrozumieniem rozdział poświęcony bezpieczeństwu.

Uruchamianie produktu

Przed użyciem produktu należy upewnić się, że częstotliwość i napięcie na tabliczce znamionowej odpowiadają napięciu sieciowemu.

1. Sprawdzić, czy wyłącznik główny znajduje się w położeniu „0”. (Rys. 10)
2. Sprawdzić, czy właściwe filtry znajdują się we właściwych położeniach w producje.

3. Podłączyć wąż do wlotu odkurzacza z przodu produktu. Popchnąć wąż do przodu, aż zostanie mocno osadzony na miejscu na wlocie odkurzacza. (Rys. 16)
4. Podłączyć dwie rury przedłużające z uchwytem. Obrócić rury przedłużające, aby ustawić je prawidłowo.
5. Przymocować dyszę do rury przedłużającej. Wybrać dyszę wg rodzaju materiału, który ma być czyszczony.
6. Podłączyć wtyczkę do sieci elektrycznej.
7. Ustawić wyłącznik główny w położeniu „I”, aby uruchomić produkt. (Rys. 17)
2. Odłączyć uchwyt od węża. Nacisnąć zaciski na końcu węża (A) i wyciągnąć uchwyt (B). (Rys. 24)
3. Podłączyć zasilacz sieciowy. (Rys. 25)
4. Wyregulować moc ssania na adapterze do elektronarzędzi lub za pomocą wyłącznika głównego*. *Tylko w niektórych modelach. (Rys. 26)
5. Podłączyć wąż do wlotu odkurzacza i do elektronarzędzia. Podłączyć kabel elektronarzędzia do gniazda elektrycznego na produkcie. (Rys. 27)
6. Sprawdzić, czy przełącznik na elektronarzędziu znajduje się w położeniu „0”. (Rys. 23)
7. Ustawić wyłącznik główny na produkcie w położeniu zasilania narzędzia elektrycznego (A).
8. Ustawić przełącznik narzędzia w położenie „I” (B). (Rys. 28)

Zatrzymywanie

1. Ustawić wyłącznik główny w pozycji „0” i wyłączyć produkt.
2. Odłączyć wtyczkę od sieci elektrycznej. (Rys. 10)

Korzystanie z funkcji dmuchawy

1. Umieścić wąż w otworze w tylnej części produktu. (Rys. 21)
2. Podłączyć wtyczkę do sieci elektrycznej.
3. Ustawić główny wyłącznik w położeniu „I”. (Rys. 17)
4. Wyregulować moc dmuchawy na uchwycie lub za pomocą wyłącznika głównego*. *Tylko w niektórych modelach. (Rys. 22)

Korzystanie z gniazda do elektronarzędzi*

*Tylko w niektórych modelach.



UWAGA: Przestrzegać instrukcji obsługi i instrukcji bezpieczeństwa dla urządzeń podłączonych do gniazda elektronarzędzi.

Uwaga: Maksymalny pobór mocy podłączonego narzędzia jest opisany w sekcji *Dane techniczne na stronie 249*.

1. Sprawdzić, czy przełącznik na elektronarzędziu znajduje się w położeniu „0”. (Rys. 23)

Uwaga: Produkt można uruchamiać i wyłączać głównym wyłącznikiem na urządzeniu (A) lub na elektronarzędziu (B).

Zbieranie cieczy

Uwaga: Produkt jest wyposażony w układ pływaka, który zatrzymuje przepływ powietrza przez produkt przy maksymalnym poziomie cieczy.



UWAGA: Nie zbierać cieczy bez zamontowanego układu pływaka.

1. Upewnić się, że filtr i blokada filtra (układ pływaka) są w prawidłowym położeniu, patrz *Wymiana filtra na stronie 247*. Wyjąć worek filtracyjny, jeśli jest zamontowany.
2. Użyć dyszy do podłóg, aby zebrać ciecz.
3. Przy maksymalnym poziomie cieczy słyszalna jest zmiana dźwięku silnika. Moc ssania spada.
4. Zatrzymać produkt, patrz *Zatrzymywanie na stronie 246*.
5. Opróżnić pojemnik na kurz i brud, patrz *Opróżnianie pojemnika na kurz i brud po wciągnięciu cieczy na stronie 247*.

Przegląd

Wstęp



OSTRZEŻENIE: Przed przeprowadzeniem konserwacji należy przeczytać i zrozumieć rozdział o bezpieczeństwie.

Do wykonywania wszelkich prac serwisowych i naprawczych konieczne jest specjalistyczne

przeszkolenie. Gwarantujemy dostępność profesjonalnych napraw i usług serwisowych. Jeśli dany dealer nie jest autoryzowanym punktem serwisowym, poproś sprzedawcę o informacje na temat najbliższego autoryzowanego punktu serwisowego.

Regularny serwis i kontrola

- Regularny serwis i kontrola produktu muszą być wykonywane przez wykwalifikowany personel, zgodnie z obowiązującymi przepisami.

- Badania elektryczne pod kątem ciągłości, rezystancji izolacji i stanu przewodu elastycznego muszą być wykonywane regularnie.
- W przypadku wykrycia uszkodzenia produkt **musi** zostać usunięty z eksploatacji i naprawiony przez autoryzowanego technika serwisu.

Konserwacja produktów do odkurzania pyłu klasy L

Dotyczy to produktów do odkurzania pyłu klasy L, WDC 325L.

- Podczas konserwacji i czyszczenia należy używać produktu w sposób bezpieczny dla personelu serwisowego lub innych osób.
- W obszarze konserwacji:
 - Stosować obowiązkową filtrację powietrza.
 - Stosować odzież ochronną.
 - Oczyszczyć obszar konserwacji, aby nie dopuścić do przedostania się szkodliwych materiałów do innych obszarów.
- Jeśli części nie można wyczyścić w sposób zadowalający podczas konserwacji i naprawy:
 - Umieścić części w prawidłowo uszczelnionych workach.
 - Zutilizować części zgodnie z przepisami.

Opróżnianie pojemnika na kurz i brud po wciągnięciu cieczy

1. Zatrzymać produkt, patrz *Zatrzymywanie na stronie 246*.
2. Odłączyć wąż od wlotu odkurzacza, wyciągając go.
3. Odblokować klamry i wyjąć moduł silnika. (Rys. 8)
4. Opróżnić pojemnik na kurz i brud, przechylając go do tyłu. Ciecze wylać do kratki podłogowej. *Uchwyt tylko w niektórych modelach. (Rys. 29)



UWAGA: Zawsze opróżniać i czyścić pojemnik na kurz i brud wraz z układem pływaka po wciągnięciu cieczy. Nie wolno wyciągać cieczy bez układu pływaka ani po zamontowaniu filtra w produkcji.

5. Założyć moduł silnika na pojemnik na kurz i brud i zablokować klamry. (Rys. 12)

Opróżnianie pojemnika na kurz i brud po wciągnięciu suchego materiału

1. Zatrzymać produkt, patrz *Zatrzymywanie na stronie 246*.
2. Odblokować klamry i wyjąć moduł silnika. (Rys. 8)
3. Sprawdzić, czy worek filtracyjny jest pełny.
4. Wyjąć worek filtracyjny, jeśli jest pełny.



UWAGA: Nie należy odkurzać suchego materiału bez założenia filtra i worka filtracyjnego.

5. Zamontować nowy worek filtracyjny, patrz *Zakładanie worka filtracyjnego na stronie 245*.

Uwaga: Skuteczność ssania zależy od wymiarów i jakości filtra i worka filtracyjnego. Używać tylko filtrów i worków filtracyjnych Husqvarna.

6. Założyć moduł silnika na pojemnik na kurz i brud i zablokować klamry. (Rys. 12)

Czyszczenie filtra, system czyszczenia filtra

Produkt jest wyposażony w półautomatyczny system czyszczenia filtra. Należy regularnie używać systemu czyszczenia filtra, najpóźniej w przypadku, gdy wydajność produktu nie jest już wystarczająca. Regularne używanie systemu czyszczenia filtra zwiększa trwałość filtra.

1. Wyczyścić filtr, gdy moc ssania nie jest już wystarczająca. (Rys. 30)
2. Założyć wąż na wlot odkurzacza z przodu produktu. (Rys. 16)
3. Podłączyć urządzenie do sieci elektrycznej.
4. Ustawić główny wyłącznik w położeniu „I”. (Rys. 17)
5. Złapać uchwyt w rękę (A), aby skierować ssanie na dłoń.
6. Uderzyć przycisk czyszczenia filtra 3 razy pięścią (B). (Rys. 31)
7. Jeśli moc ssania jest niewystarczająca, wymontować filtr, patrz *Wymiana filtra na stronie 247*.
8. Potrząsnąć, wyszczotkować lub przemyć filtr, aby go oczyścić.
9. Pozostawić filtr do wyschnięcia.
10. Zamontować filtr, patrz *Zakładanie worka filtracyjnego na stronie 245*.

Czyszczenie produktu od zewnątrz

1. Zatrzymać produkt, patrz *Zatrzymywanie na stronie 246*.
2. Czyścić produkt za pomocą suchej szmatki i małej ilości środka do polerowania w aerozolu.

Wymiana filtra

Produkt jest przeznaczony do ciągłej pracy pod dużym obciążeniem. Należy wymieniać filtr w zależności od liczby przepracowanych godzin.

1. Zatrzymać produkt, patrz *Zatrzymywanie na stronie 246*.
2. Odblokować klamry i wyjąć moduł silnika. (Rys. 8)

3. Obrócić blokadę filtra (A) w lewo i wyciągnąć ją. Wyciągnąć filtr (B). (Rys. 32)
4. Zamontować nowy filtr (A). Założyć blokadę filtra (B) i obrócić ją w prawo. (Rys. 33)
5. Upewnić się, że filtr i blokada filtra znajdują się w odpowiednim położeniu. (Rys. 34)
6. Założyć moduł silnika na pojemnik na kurz i brud i zablokować klamry. (Rys. 12)
3. Sprawdzić, czy worek filtracyjny jest pełny. Wyjąć worek filtracyjny, jeśli jest pełny.
4. Wyjąć tekturową część starego worka filtracyjnego z wlotu odkurzacza.
5. Podnieść worek filtracyjny (A) i wyrzucić go.
6. Umieścić nowy worek filtra w pojemniku na kurz i brud (B).
7. Założyć tekturową część worka filtracyjnego na wlot odkurzacza (C). Upewnić się, że gumowa membrana jest umieszczona za występem na rurze wlotowej odkurzacza. (Rys. 35)
8. Założyć moduł silnika na pojemnik na kurz i brud i zablokować klamry. (Rys. 12)

Wymiana worka filtracyjnego

1. Zatrzymać produkt, patrz *Zatrzymywanie na stronie 246*.
2. Odblokować klamry i wyjąć moduł silnika. (Rys. 8)

Transport, przechowywanie i utylizacja

Transport i przechowywanie

- Po użyciu:
 - Jeśli produkt nie jest używany, należy go odłączyć od sieci elektrycznej.
 - Zwinąć przewód, zaczynając od strony produktu.
 - Za pomocą uchwytu przewodu zamocować przewód na module silnika.
 - Zwinąć wąż.
 - Przymocować wąż do modułu silnika za pomocą odpowiedniego uchwytu.
- Transport:
 - Zamknąć wszystkie klamry na module silnika.
 - Nie należy przechylać produktu, jeśli w pojemniku na kurz i brud znajduje się płyn.
 - Nie używać haka dźwigu do podnoszenia produktu.
- Przechowywanie:
 - Produkt przechowywać w suchym miejscu nie narażonym na przymrozki.

Recykling produktu

Należy wykonać następujące czynności, aby produkt nie był zdatny do użytku.

1. Odłączyć wtyczkę od sieci elektrycznej.
2. Odciąć przewód zasilający.
3. Nie utylizować produktu razem ze zwykłymi odpadami domowymi.

Utylizacja (zgodnie z 2012/19/WE):

Produktu nie należy dodawać do zwykłych odpadów z gospodarstwa domowego. Należy zutylizować go zgodnie z lokalnymi przepisami ochrony środowiska.

Zadbać o to, aby urządzenie zostało zutylizowane w komunalnym centrum recyklingu.

(Rys. 5)

Dane techniczne

Dane techniczne

	EU/CH		GB		AU/NZ		US
	WDC 220	WDC 325L	WDC 220	WDC 325L	WDC 220	WDC 325L	WDC 225
Napięcie, V	220-240	220-240	220-240	220-240	220-240	220-240	110-120
Moc P _{iec} , W	1000	1200	1000	1000	1000	1000	1000
Podłączone obciążenie do gniazda elektona-rzędzi, W	-	2400 /1100	-	1900	-	1300	-
Częstotliwość, Hz	50/60				50-60		50/60
Bezpieczniki, A	10	16/10	13	13	10	10	15
Kategoria ochrony (wil-gość, kurz)	IPX4						
Klasa ochrony (elek-tryczna)	II (Rys. 4)	I	II (Rys. 4)	I	II (Rys. 4)	I	II (Rys. 4)
Przepływ powietrza, l/min	3600	3700	3600	3600	3600	3600	3200
Przepływ powietrza, cfm	127	130	127	127	127	127	113
Podciśnienie, mbar	210	235	210	210	210	210	210
Poziom ciśnienia akus-tycznego w odległości 1 m, EN 60704-1, dB(A) +/- 2	72						
Drgania ISO 5349, m/s ² +/- 1	<1,5						
Ciężar, kg	7,5	8,5	7,5	8,5	7,5	8,5	7,5
Szerokość, mm	377	376	377	376	377	376	377
Głębokość, mm	385	392	385	392	385	392	392
Wysokość, mm	506	533	506	530	506	530	550

Deklaracja zgodności WE

Deklaracja zgodności WE

Husqvarna AB, SE-561 82 Huskvarna, Szwecja, tel.:
+46-36-146500, oświadcza, że **odkurzacz Husqvarna**
WDC 220, 3325L jest zgodny z wymogami określonymi
w DYREKTYWIE RADY:

- z 17 maja 2006 r. „dotyczącej maszyn” **2006/42/WE**
- z 26 lutego 2014 roku, „dotyczącej kompatybilności elektromagnetycznej” **2014/30/UE**

Zostały zastosowane następujące normy:

EN 60335-1:2012+A11:2014, EN 60335-2-69:2012, EN
55014-1:2006+A1:2009+A2:2011, EN 55014-2:2015,
EN 61000-3-2:2014, EN 61000-3-3:2013

Jeśli nie podano inaczej, wymienione powyżej normy to najnowsze opublikowane wersje.

Huskvarna, 2018-08-01



Cornelia Ekblad, dyrektor ds. zarządzania produktami

ÍNDICE

Introdução.....	251	Manutenção.....	258
Segurança.....	252	Transporte, armazenamento e eliminação.....	260
Montagem.....	256	Especificações técnicas.....	261
Funcionamento.....	257	Declaração CE de conformidade.....	262

Introdução

Descrição do produto

O produto é um aspirador multiusos concebido para fins comerciais.

Finalidade

Utilize o produto para limpar poeiras secas não inflamáveis e líquidos.

Vista geral do produto WDC 220, WDC 225

(Fig. 1)

1. Interruptor principal
2. Sistema de limpeza de filtros
3. Entrada de aspiração
4. Rodas
5. Suporte do cabo, suporte da mangueira
6. Saco de filtro
7. Bocal
8. Punho
9. Bocal para piso
10. Bocal para ranhuras
11. Manual do utilizador
12. Tubo de extensão
13. Mangueira

Vista geral do produto WDC 325L

(Fig. 2)

1. Interruptor principal
2. Sistema de limpeza de filtros
3. Entrada de aspiração
4. Rodas
5. Suporte do cabo, suporte da mangueira
6. Saco de filtro
7. Bocal
8. Punho
9. Bocal para piso
10. Bocal para ranhuras
11. Manual do utilizador
12. Tubo de extensão
13. Mangueira
14. Adaptador de ferramentas elétricas
15. Ligaçao elétrica para ferramenta elétrica
16. Caixa de ferramentas

Símbolos no produto

(Fig. 3) Leia o manual do utilizador com atenção e certifique-se de que compreende as instruções antes de utilizar o produto.

(Fig. 4) A unidade dispõe de isolamento duplo.

Leia e respeite as instruções de segurança e as instruções de utilizador.

Realize apenas as operações de manutenção e reparação especificadas pelo fabricante.

O fabricante não se responsabiliza por danos resultantes de utilização incorreta, manutenção incorreta ou reparação incorreta.

(Fig. 5) Não elimine a unidade com o lixo doméstico. Respeite os requisitos locais.

(Fig. 6) O produto está em conformidade com as diretivas CE aplicáveis.

Nota: Os restantes símbolos/autocolantes existentes no produto dizem respeito a exigências para homologação em outras áreas comerciais.

Classe L de poeiras

(Fig. 7)

Respeite as instruções de segurança e as respetivas medidas para poeiras da classe L.

Responsabilidade pelo produto

Como referido nas leis de responsabilidade pelo produto, não somos responsáveis por danos causados pelo nosso produto se:

- o produto tiver sido incorretamente reparado.
- o produto tiver sido reparado com peças que não sejam do fabricante ou que não sejam aprovadas pelo fabricante.
- o produto tiver um acessório que não seja do fabricante ou que não seja aprovado pelo fabricante.

- o produto não tiver sido reparado por um centro de assistência autorizado ou por uma autoridade aprovada.

Segurança

Definições de segurança

Os avisos, as precauções e as notas são utilizados para indicar partes especialmente importantes do manual.



ATENÇÃO: Utilizado no caso de existir risco de ferimento ou morte para o utilizador ou transeuntes, se não forem respeitadas as instruções do manual.



CUIDADO: Utilizado se existir risco de danos para o produto, para outros materiais ou para a área adjacente, se não forem respeitadas as instruções do manual.

Nota: Utilizado para disponibilizar informações adicionais necessárias numa determinada situação.

Instruções de segurança gerais



ATENÇÃO: Leia as instruções de aviso que se seguem antes de utilizar o produto.

- Caso o produto e/ou um acessório esteja danificado, este deve ser reparado por um centro de assistência aprovado. Não utilize um produto danificado.
- Não deixe uma criança utilizar o produto. Não permita que o produto seja operado nem que a manutenção do mesmo seja realizada por uma pessoa que não conheça as instruções.
- O produto apenas deve ser utilizado sob supervisão.
- Certifique-se de que monitoriza sempre a utilização do produto por pessoas com diminuição da capacidade física ou mental.
- As crianças devem ser vigiadas para garantir que não brincam com o produto.
- Não utilize métodos de trabalho perigosos.
- Não utilize o produto sem os filtros na posição correta.
- Pare o produto e desligue a ficha de alimentação nas seguintes situações:
 - Antes da limpeza e manutenção.
 - Antes da reparação.
 - Caso exista espuma ou líquido na área.
- Não se afaste do produto enquanto estiver ligado. Desligue a ficha de alimentação quando este não se encontrar em funcionamento e antes da manutenção.
- Não utilize o produto se o cabo ou a ficha estiverem danificados. Para desligar, segure na ficha e não no cabo. Não segure na ficha nem no produto com as mãos molhadas. Reponha todos os controlos antes de desligar.

- Não puxe o produto pelo cabo. Não utilize o cabo como pega. Não feche uma porta se o cabo passar pela mesma nem puxe o cabo por arestas afiadas ou cantos. Não utilize o produto por cima do cabo. Afaste o cabo de superfícies quentes.
- Mantenha o cabelo, vestuário folgado, dedos e qualquer outra parte do corpo afastados de aberturas e peças em movimento. Não coloque objetos nas aberturas nem utilize o produto com as aberturas bloqueadas. Mantenha as aberturas sem poeiras, algodão, cabelos ou outros objetos que possam reduzir o fluxo de ar.
- Não aspire poeiras perigosas com o WDC 220, WDC 225.
- Não aspire materiais ou líquidos inflamáveis, como gasolina. Não utilize o produto em áreas onde se possam encontrar tais produtos.
- Não aspire elementos a arder ou fumar, tais como cigarros, fósforos ou cinzas quentes.
- Tenha cuidado ao realizar trabalhos de limpeza em escadas.
 - Caso saia espuma ou líquido do produto, desligue o produto de imediato.
 - Não utilize o produto como bomba de água.
 - Ligue o produto a uma tomada de alimentação devidamente ligada à terra. A saída da tomada e o cabo de extensão devem ter um condutor de proteção operacional (apenas aplicável para produtos sem isolamento duplo).
 - Certifique-se de que existe um bom fluxo de ar na área de trabalho.
 - Não utilize o produto como escada ou degrau.
 - Quando são utilizados extratores de poeiras, a taxa de ventilação à qual o ar é substituído na divisão tem de ser adequada, caso o ar extraído do aspirador seja soprado para a respetiva divisão. Respeite a legislação nacional antes da utilização.
 - Para produtos de poeiras da classe L, WDC 325L, explique e instrua o operador, antes da utilização, quanto aos seguintes tópicos:
 - Como utilizar o produto.
 - Riscos do material a recolher.

- Eliminação segura do material recolhido.
- Para produtos de poeiras da classe L, WDC 325L, aplicam-se os seguintes:
 - Utilize o produto para limpar líquidos e poeiras secas não inflamáveis, bem como poeiras perigosas com um valor de limite de exposição ocupacional (OEL)¹ > 1 mg/m³. Poeiras da classe L (IEC 60335-2-69). As poeiras desta classe têm valores de OEL¹ > 1 mg/m³.
 - Os produtos para poeiras da Classe L dispõem de um material filtrante testado. O grau máximo de permeabilidade é de 1%. Não existem quaisquer requisitos especiais para a sua eliminação.

Nota: Consulte a legislação local. Estas podem regular a idade permitida para a operação do produto.

Segurança de produtos com isolamento duplo



ATENÇÃO: Utilize o produto apenas como indicado neste manual e com os acessórios recomendados pelo fabricante.



ATENÇÃO: Apenas aplicável ao Reino Unido: Leia estas instruções importantes. Estas instruções foram preparadas com a segurança e a eficiência fundamentais. O operador tem de ser instruído por um formador aprovado e deve compreender estas instruções de funcionamento. O operador tem de conhecer todos os regulamentos

relacionados e a legislação em vigor no momento de funcionamento.



ATENÇÃO: Antes de ligar o produto:

Certifique-se de que a tensão da rede elétrica e a frequência de corrente elétrica da fonte de alimentação coincidem com os dados na etiqueta de tipo do aspirador para resíduos secos/líquidos.



ATENÇÃO: Este produto dispõe de

isolamento duplo. Utilize apenas peças de substituição Husqvarna. Consulte as instruções sobre a forma de realizar tarefas de manutenção em produtos com isolamento duplo.



ATENÇÃO: O produto dispõe de um

cabo especial. Caso o cabo se encontre danificado, deve ser substituído por um cabo do mesmo tipo. Este está disponível em centros de assistência e concessionários aprovados e devem ser instalados por pessoal aprovado.



ATENÇÃO: Realizar a manutenção

num produto com isolamento duplo requer o conhecimento do sistema. Em produtos com isolamento duplo, são disponibilizados dois sistemas de isolamento em vez de ligação à terra. Não é fornecida qualquer ligação à terra num produto com isolamento duplo nem deve ser adicionada ao equipamento qualquer forma de ligação à terra. A manutenção tem de ser realizada apenas por pessoal aprovado para a manutenção. As peças de substituição para um produto com isolamento duplo têm de ser idênticas às peças que substituem. Um produto com isolamento duplo é marcado com as expressões "ISOLAMENTO DUPLO" ou "COM ISOLAMENTO DUPLO". Também pode ser utilizado um símbolo no produto.

Segurança no manejo de eletricidade

- Recomenda-se que o aspirador seja ligado a um circuito com um disjuntor de corrente residual.
- Organize os componentes elétricos (tomadas, fichas e acoplamentos) e coloque o cabo de extensão no chão para se assegurar que a classe de proteção é mantida.
- Os conectores e acoplamentos dos cabos de alimentação e da extensão têm de ser estanques.

Cabo de extensão

- Como cabo de extensão, utilize apenas a versão especificada pelo fabricante ou uma de qualidade superior.
- Ao utilizar um cabo de extensão, verifique as secções mínimas do cabo:

Comprimento do cabo	Corte transversal	
	< 16 A	< 25 A
< 20 m	1,5 mm ²	2,5 mm ²
20-50 m	2,5 mm ²	4,0 mm ²



ATENÇÃO: A parte superior do aspirador contém componentes sob corrente. O contacto com componentes sob corrente pode resultar em ferimentos graves ou até mortais.

- Nunca pulverize a parte superior do aspirador com água.



ATENÇÃO: Choque elétrico devido a um cabo de alimentação avariado. Tocar num cabo de alimentação avariado pode resultar em ferimentos graves ou até mortais.

- Não danifique o cabo de alimentação (por exemplo, conduzindo por cima do mesmo, puxando ou esmagando-o).

- Verifique regularmente se o cabo de alimentação está danificado ou se apresenta sinais de desgaste.
- Caso o cabo elétrico esteja danificado, deve ser substituído por um distribuidor Husqvarna autorizado ou por uma pessoa igualmente qualificada para evitar situações de perigo.
- O cabo de alimentação não deve, em qualquer circunstância, ser atado à volta dos dedos ou de qualquer parte do corpo do operador.



CUIDADO: A tomada do equipamento (apenas em alguns modelos) foi concebida para os fins especificados nas instruções de funcionamento. A ligação de equipamentos diferentes pode resultar em danos.

- Antes de ligar um equipamento, desligue sempre o produto e o equipamento a ser ligado.
- Leia as instruções de funcionamento do equipamento a ser ligado

e respeite as notas de segurança incluídas.



CUIDADO: Danos devidos a tensão de alimentação inadequada. Ligar o equipamento a uma tensão de alimentação inadequada pode danificar o mesmo.

- Certifique-se de que a tensão da rede elétrica e a frequência de corrente elétrica da fonte de alimentação coincidem com os dados na etiqueta de tipo do aspirador para resíduos secos/líquidos.

Instruções de segurança para funcionamento

Para limpar líquidos



CUIDADO: Não limpe líquidos inflamáveis.

- Retire o saco do filtro antes de iniciar a limpeza de líquidos. Verifique se a boia ou o limite do nível de água funcionam corretamente.
- Utilize um elemento do filtro ou placa de filtro especial.
- Caso saia espuma do produto, pare de imediato o seu funcionamento e esvazie o depósito.

Materiais perigosos



ATENÇÃO: Não limpe materiais perigosos. Caso o faça, pode provocar ferimentos.

- Não limpe os seguintes materiais:
 - poeiras perigosas
 - materiais quentes, por exemplo cigarros acesos e cinza quente.
 - líquidos inflamáveis, explosivos ou agressivos, como gasolina, solventes, ácidos e bases.
 - poeiras inflamáveis e explosivas, como magnésio ou poeiras de alumínio.

Peças sobresselentes e acessórios



CUIDADO: Utilize apenas peças sobresselentes e acessórios para manter a segurança do produto.

- Utilize apenas peças sobresselentes e acessórios da Husqvarna.
- Utilize apenas as escovas fornecidas com o produto ou indicadas no manual do utilizador.

Ambientes explosivos ou inflamáveis



CUIDADO: Não utilize o produto em ambientes inflamáveis ou explosivos. Não utilize o produto perto de líquidos, gás ou fumo que possam tornar o ambiente inflamável.

Função de soprador



ATENÇÃO: As poeiras podem causar problemas de saúde. O produto dispõe de uma função de soprador. Não sopre de forma aleatória o ar que sai em espaços fechados. Utilize a função de soprador apenas com uma mangueira limpa.

Instruções de segurança para manutenção



ATENÇÃO: Leia todas as instruções de aviso que se seguem antes de realizar a manutenção do produto.

Esvaziar o recipiente de resíduos



CUIDADO: O material limpo pode ser perigoso para o ambiente. Elimine os resíduos de acordo com a legislação em vigor.

Montagem



ATENÇÃO: Certifique-se de que lê e compreende o capítulo sobre segurança antes de montar o produto.

Ações a realizar antes da instalação

1. Desbloqueie os fechos e levante a unidade do motor. (Fig. 8)

2. Retire os acessórios do recipiente de resíduos. (Fig. 9)
3. Certifique-se de que estão incluídas todas as peças. Consulte a descrição geral do produto. Ferramentas necessárias: Chave de parafusos.

Instalar o saco de filtro

1. Coloque o interruptor principal na posição "0".
2. Desligue o produto. (Fig. 10)
3. Desbloqueie os fechos e levante a unidade do motor. (Fig. 8)
4. Coloque o saco de filtro no recipiente de resíduos.
5. Fixe a parte de cartão do saco de filtro na entrada de aspiração. Certifique-se de que a membrana de borracha passa pela saliência da entrada de aspiração. (Fig. 11)
6. Coloque a unidade do motor no recipiente de resíduos e bloqueie os fechos. (Fig. 12)

Fixe os acessórios

1. Coloque os acessórios na respetiva posição para um fácil acesso. (Fig. 13)
2. Fixe a caixa de ferramentas à parte traseira do produto. (Fig. 14)

3. Fixe o suporte do cabo e da mangueira à parte traseira do produto. (Fig. 15)

Instalar a mangueira

1. Coloque a mangueira na entrada de aspiração na parte dianteira do produto. (Fig. 16)
2. Ligue o equipamento à alimentação.
3. Coloque o interruptor principal na posição "I". (Fig. 17)
4. Ajuste a potência de sucção no punho ou no interruptor principal*. *Apenas em alguns modelos. (Fig. 18)

Instalar o suporte do tubo

1. Mova verticalmente o suporte do tubo pelo tubo de extensão.
2. Utilize uma chave de parafusos para instalar o suporte do tubo na altura correta do tubo de extensão. (Fig. 19)
3. Coloque o tubo de extensão nos suportes na parte traseira do produto. (Fig. 20)

Funcionamento

Introdução



ATENÇÃO: Antes de utilizar o produto, tem ler e compreender o capítulo sobre segurança.

Arranque

Antes da utilização do produto, certifique-se que a frequência e a tensão indicadas na etiqueta de tipo correspondem às de alimentação.

1. Certifique-se de que o interruptor principal se encontra na posição "0". (Fig. 10)
2. Verifique se os filtros corretos se encontram bem colocados no produto.
3. Coloque a mangueira na entrada de aspiração na parte dianteira do produto. Empurre a mangueira para a frente até que esta esteja firmemente instalada na respetiva posição na entrada de aspiração. (Fig. 16)
4. Junte os dois tubos de extensão com o punho. Gire os tubos de extensão para se certificar que se encontram bem posicionados.
5. Fixe um bocal ao tubo de extensão. Selecione o bocal segundo o tipo de material a limpar.
6. Ligue a ficha à alimentação.

7. Para ligar o produto, coloque o interruptor principal na posição "I". (Fig. 17)

Para desligar o produto

1. Para desligar o produto, coloque o interruptor principal na posição "0".
2. Desligue a ficha da alimentação. (Fig. 10)

Utilizar a função de sopro

1. Coloque a mangueira na abertura na parte traseira do produto. (Fig. 21)
2. Ligue a ficha à alimentação.
3. Coloque o interruptor principal na posição "I". (Fig. 17)
4. Ajuste a potência de sopro no punho ou no interruptor principal*. *Apenas em alguns modelos. (Fig. 22)

Utilizar a tomada da ferramenta elétrica*

*Apenas em alguns modelos.



CUIDADO: Siga as instruções de funcionamento e as instruções de segurança para equipamentos ligados à tomada da ferramenta elétrica.

Nota: O consumo máximo de energia da ferramenta ligada é indicado na secção *Especificações técnicas na página 261*.

1. Certifique-se de que o interruptor da ferramenta elétrica se encontra na posição "0". (Fig. 23)
2. Separe a pega da mangueira. Prima a patilhas nas extremidades da mangueira (A) e puxe a pega (B). (Fig. 24)
3. Ligue o adaptador de ferramentas elétricas. (Fig. 25)
4. Ajuste a potência de sucção no adaptador de ferramentas elétricas ou no interruptor principal*. *Apenas em alguns modelos. (Fig. 26)
5. Ligue a mangueira à entrada de aspiração do produto e à ferramenta elétrica. Ligue o cabo da ferramenta elétrica à tomada elétrica do produto. (Fig. 27)
6. Certifique-se de que o interruptor da ferramenta elétrica se encontra na posição "0". (Fig. 23)
7. Rode o interruptor principal do produto para a posição de ferramenta elétrica (A).
8. Coloque o interruptor da ferramenta elétrica em "I" (B). (Fig. 28)

Nota: Pode ligar e desligar o produto com o interruptor principal do produto (A) ou da ferramenta elétrica (B).

Limpar líquido

Nota: O produto dispõe de um sistema de flutuação que interrompe o fluxo de ar pelo produto no nível de líquido máximo.



CUIDADO: Não limpe líquido sem o sistema de flutuação na devida posição.

1. Certifique-se de que o filtro e o tensor do filtro (sistema de flutuação) se encontram em posição, consulte *Substituir o filtro na página 259*. Retire o saco de filtro, caso se encontre instalado.
2. Utilize o bocal para piso para limpar o líquido.
3. No nível de líquido máximo, ouve-se uma mudança perceptível no som do motor. A potência de sucção diminui.
4. Desligue o produto; consulte *Para desligar o produto na página 257*.
5. Esvazie o recipiente de resíduos, consulte *Esvaziar o recipiente de resíduos após a limpeza de líquidos na página 258*.

Manutenção

Introdução



ATENÇÃO: Antes de efetuar a manutenção, tem de ler e compreender o capítulo sobre segurança.

É necessária formação especial para realizar qualquer tarefa de manutenção ou reparação. Garantimos a disponibilidade de reparações e manutenção profissionais. Se o seu revendedor não for uma oficina autorizada, pergunte-lhes onde se situa a oficina autorizada mais próxima.

Manutenção e inspeção regular

- A manutenção e inspeção regular do produto deve ser realizada por pessoal qualificado de acordo com a legislação e os regulamentos aplicáveis.
- Devem ser realizados testes elétricos à continuidade da ligação de terra, à resistência do isolamento e ao estado do cabo flexível de forma frequente.
- Caso seja detetado um defeito, o produto **tem** de ser retirado de serviço e reparado por um técnico de manutenção aprovado.

Manutenção de produtos de poeiras da classe L

Os seguintes aplicam-se aos produtos de poeiras da classe L, WDC 325L.

- Durante a manutenção e limpeza, utilize o produto de forma segura para o pessoal da manutenção ou outras pessoas.
- No local de manutenção:
 - É obrigatória a utilização de ventilação filtrada.
 - Utilize vestuário de proteção.
 - Limpe o local da manutenção para que nenhum material nocivo saia para outras áreas.
- Caso as peças não possam ser limpas de forma satisfatória durante a manutenção e reparação:
 - Coloque as peças em sacos devidamente selados.
 - Elimine as peças de acordo com a legislação em vigor.

Esvaziar o recipiente de resíduos após a limpeza de líquidos

1. Desligue o produto; consulte *Para desligar o produto na página 257*.

- Desligue a mangueira da entrada de aspiração puxando a mangueira para fora.
- Desbloqueie os fechos e levante a unidade do motor. (Fig. 8)
- Esvazie o recipiente de resíduos inclinando-o para trás e coloque os líquidos num sistema de escoamento do chão. * Pega apenas disponível em alguns modelos. (Fig. 29)



CUIDADO: Esvazie e limpe sempre o recipiente de resíduos e o sistema de flutuação após a recolha do líquido. Não recolha líquido sem que o sistema de flutuação e o filtro estejam instalados no produto.

- Coloque a unidade do motor no recipiente de resíduos e bloqueie os fechos. (Fig. 12)

Esvaziar o recipiente de resíduos após a limpeza de resíduos secos

- Desligue o produto; consulte *Para desligar o produto na página 257*.
- Desbloqueie os fechos e levante a unidade do motor. (Fig. 8)
- Verifique se o saco de filtro se encontra cheio.
- Caso o saco de filtro se encontre cheio, retire-o.



CUIDADO: Não recolha materiais secos sem que o filtro e o saco de filtro se encontrem na devida posição.

- Instale um novo saco de filtro, consulte *Instalar o saco de filtro na página 257*.

Nota: A eficiência de sucção do produto depende da dimensão e da qualidade do filtro e do saco de filtro. Utilize apenas filtros e sacos de filtro Husqvarna.

- Coloque a unidade do motor no recipiente de resíduos e bloqueie os fechos. (Fig. 12)

Limpar o filtro, sistema de limpeza de filtros

O produto dispõe de um sistema de limpeza de filtros semiautomático. Utilize regularmente o sistema de limpeza de filtros, o mais tardar quando o desempenho de limpeza já não for suficiente. Uma utilização regular do sistema de limpeza de filtros prolonga a vida útil do filtro.

- Limpe o filtro quando a potência de sucção já não for suficiente. (Fig. 30)
- Coloque a mangueira na entrada de aspiração na parte dianteira do produto. (Fig. 16)
- Ligue o equipamento à alimentação.

- Coloque o interruptor principal na posição "I". (Fig. 17)
- Coloque a pega na sua mão (A) para sugar a mão.
- Bata 3 vezes com o punho no botão de limpeza do filtro (B). (Fig. 31)
- Caso a potência de sucção não seja suficiente, retire o filtro, consulte *Substituir o filtro na página 259*.
- Agite, escove ou lave o filtro para o limpar.
- Deixe o filtro secar.
- Instale o filtro, consulte *Instalar o saco de filtro na página 257*.

Para limpar o produto externamente

- Desligue o produto; consulte *Para desligar o produto na página 257*.
- Limpe o produto com um pano seco e uma pequena quantidade spray de limpeza.

Substituir o filtro

O produto foi concebido para um trabalho intenso contínuo. Consoante o número de horas de funcionamento, o filtro de poeiras deve ser substituído.

- Desligue o produto; consulte *Para desligar o produto na página 257*.
- Desbloqueie os fechos e levante a unidade do motor. (Fig. 8)
- Rode o tensor do filtro (A) para a direita e retire-o. Retire o filtro (B). (Fig. 32)
- Instale o novo filtro (A). Instale o tensor do filtro (B) e rode-o para a direita. (Fig. 33)
- Certifique-se de que o filtro e o tensor do filtro se encontram em posição. (Fig. 34)
- Coloque a unidade do motor no recipiente de resíduos e bloqueie os fechos. (Fig. 12)

Substituir o saco de filtro

- Desligue o produto; consulte *Para desligar o produto na página 257*.
- Desbloqueie os fechos e levante a unidade do motor. (Fig. 8)
- Verifique se o saco de filtro se encontra cheio. Caso o saco de filtro se encontre cheio, retire-o.
- Puxe a parte de cartão do saco de filtro usado da entrada de aspiração.
- Levante o saco de filtro (A) e deite-o fora.
- Coloque o novo saco de filtro no recipiente de resíduos (B).
- Fixe a parte de cartão do saco de filtro na entrada de aspiração (C). Certifique-se de que a membrana de borracha passa pela saliência da entrada de aspiração. (Fig. 35)
- Coloque a unidade do motor no recipiente de resíduos e bloqueie os fechos. (Fig. 12)

Transporte e armazenamento

- Depois de utilizar:
 - Desligue a ficha da alimentação quando o produto não estiver a ser utilizado.
 - Enrole o cabo começando pelo lado do produto.
 - Utilize o suporte do cabo para fixar o cabo à unidade do motor.
 - Enrole a mangueira.
 - Utilize o suporte da mangueira para fixar a mangueira na unidade do motor.
- Transporte:
 - Feche todos os fechos da unidade do motor.
 - Caso exista líquido no recipiente de resíduos, não incline o produto.
 - Não utilize um gancho de guindaste para elevar o produto.
- Armazenamento:
 - Mantenha o produto num local seco e sem gelo.

Reciclar o produto

Siga estes passos para que o produto fique inutilizável.

1. Desligue a ficha da alimentação.
2. Corte o cabo de alimentação.
3. Não coloque o produto no lixo doméstico.

Eliminação (de acordo com a norma 2012/19/CE):

O produto não deve ser adicionado ao lixo doméstico. Deve ser eliminado em conformidade com os regulamentos ambientais locais.

Certifique-se de que o produto é eliminado através do centro municipal de recolha de reciclagem.

(Fig. 5)

Especificações técnicas

Especificações técnicas

	UE/CH		GB		AU/NZ		EUA
	WDC 220	WDC 325L	WDC 220	WDC 325L	WDC 220	WDC 325L	WDC 225
Tensão, V	220-240	220-240	220-240	220-240	220-240	220-240	110-120
Potência P_{cei} , W	1000	1200	1000	1000	1000	1000	1000
Carga ligada à tomada do aparelho, W	-	2400 /1100	-	1900	-	1300	-
Frequência, Hz	50/60				50-60		50/60
Fusíveis, A	10	16/10	13	13	10	10	15
Grau de proteção (humidade, poeiras)	IPX4						
Classe de proteção (elétrica)	II (Fig. 4)	I	II (Fig. 4)	I	II (Fig. 4)	I	II (Fig. 4)
Volume de fluxo de ar, l/min	3600	3700	3600	3600	3600	3600	3200
Volume de fluxo de ar, cfm	127	130	127	127	127	127	113
Aspiração, mbar	210	235	210	210	210	210	210
Nível de pressão sonora a 1 m, EN 60704-1, dB(A) +/- 2	72						
Vibração ISO 5349, $m/s^2 +/- 1$	<1,5						
Peso, kg	7,5	8,5	7,5	8,5	7,5	8,5	7,5
Largura, mm	377	376	377	376	377	376	377
Profundidade, mm	385	392	385	392	385	392	392
Altura, mm	506	533	506	530	506	530	550

Declaração CE de conformidade

Declaração CE de conformidade

A **Husqvarna AB**, SE-561 82 Huskvarna, Suécia, tel: +46-36-146500, declara que o **aspirador Husqvarna WDC 220, 3325L** está em conformidade com o estipulado na DIRETIVA DO CONSELHO:

- de 17 de maio de 2006 "referente a máquinas" **2006/42/CE**
- de 26 de fevereiro de 2014 "referente à compatibilidade eletromagnética" **2014/30/UE**

Foram respeitadas as seguintes normas:

EN 60335-1:2012+A11:2014, EN 60335-2-69:2012, EN 55014-1:2006+A1:2009+A2:2011, EN 55014-2:2015, EN 61000-3-2:2014, EN 61000-3-3:2013

Salvo indicação em contrário, as normas apresentadas acima são as versões publicadas mais recentes.

Huskvarna, 2018-08-01



Cornelia Ekbladh, Diretora da gestão de produtos

CUPRINS

Introducere.....	263	Întreținerea.....	270
Siguranță.....	264	Transportul, depozitarea și eliminarea.....	271
Asamblarea.....	268	Date tehnice.....	273
Funcționarea.....	269	Declarație de conformitate CE.....	274

Introducere

Descrierea produsului

Produsul este un aspirator multifuncțional proiectat pentru uz comercial.

Domeniul de utilizare

Utilizați produsul pentru a curăța praf uscat și neinflamabil și lichide.

Prezentare generală a produsului WDC 220, WDC 225

(Fig. 1)

1. Întrerupătorul principal
2. Sistemul de curățare cu filtru
3. Orificiul de admisie al aspiratorului
4. Roțile
5. Suportul de cablu, suportul furtunului
6. Sac filtru

Citiți și respectați instrucțiunile de siguranță și instrucțiunile operatorului.

Efectuați numai operațiile de întreținere și reparații ale produsului care sunt specificate de producător.

Producătorul nu acceptă nicio responsabilitate pentru daunele care rezultă din utilizarea, întreținerea sau reparația incorectă.

7. Duză
8. Mâner
9. Cap de aspirare pentru podea
10. Cap de aspirare pentru spații înguste
11. Manualul operatorului
12. Tub prelungitor
13. Furtun

Prezentare generală a produsului WDC 325L

(Fig. 2)

1. Întrerupătorul principal
2. Sistemul de curățare cu filtru
3. Orificiul de admisie al aspiratorului
4. Roțile
5. Suportul de cablu, suportul furtunului
6. Sac filtru
7. Duză
8. Mâner
9. Cap de aspirare pentru podea
10. Cap de aspirare pentru spații înguste
11. Manualul operatorului
12. Tub prelungitor
13. Furtun
14. Adaptor pentru scule electrice
15. Conexiune electrică pentru scule electrice
16. Cutie de scule

(Fig. 5) Nu eliminați unitatea împreună cu deșeurile menajere. Respectați cerințele locale.

(Fig. 6) Produsul este în conformitate cu directivele CE aplicabile.

Nota: Alte simboluri/autocolante de pe produs se referă la cerințele de certificare pentru alte zone comerciale.

Clasa de praf L

(Fig. 7)

Respectați recomandările de securitate și măsurile asociate pentru clasa de praf L.

Răspunderea pentru produs

Conform prevederilor legislației privind răspunderea pentru produs, nu ne asumăm răspunderea pentru daunele cauzate de produsul nostru dacă:

- produsul este reparat necorespunzător;
- produsul este reparat cu piese care nu provin de la producător sau care nu sunt aprobate de acesta;
- produsul are un accesoriu care nu provine de la producător sau care nu este aprobat de acesta;

Simbolurile de pe produs

(Fig. 3) Citiți cu atenție manualul operatorului și asigurați-vă că înțelegeți instrucțiunile înainte de utilizare.

(Fig. 4) Unitatea dispune de izolație dublă.

- produsul nu este reparat la un centru de service omologat sau de o autoritate omologată;

Siguranță

Definiții privind siguranța

Avertismentele, atenționările și notele sunt utilizate pentru a desemna părți foarte importante din manual.



AVERTISMENT: Se utilizează dacă există risc de vătămare sau de deces pentru operator sau pentru trecători, în cazul în care instrucțiunile din manual nu sunt respectate.



ATENȚIE: Se utilizează dacă există un risc de deteriorare a produsului, a altor materiale sau a zonelor învecinate, dacă instrucțiunile din manual nu sunt respectate.

Nota: Se utilizează pentru a furniza mai multe informații care sunt necesare într-o situație dată.

Instrucțiuni generale de siguranță



AVERTISMENT: Înainte de a utiliza produsul, citiți instrucțiunile de avertizare de mai jos.

- Dacă produsul și/sau un accesoriu este deteriorat trebuie reparat de un centru de service autorizat. Nu utilizați un produs deteriorat.
- Nu permiteți copiilor să utilizeze produsul. Nu permiteți niciunei persoane care nu cunoaște instrucțiunile să utilizeze produsul sau să efectueze operații de întreținere asupra acestuia.
- Produsul trebuie să fie utilizat numai sub supraveghere.
- Asigurați-vă că monitorizați permanent o persoană cu capacități fizice sau mentale reduse care utilizează produsul.
- Copiii trebuie monitorizați pentru a nu le permite să se joace cu produsul.
- Nu utilizați proceduri de lucru periculoase.
- Nu utilizați produsul fără ca filtrele să fie în poziția corectă.
- Opriti produsul și deconectați ștecherul din priză în următoarele situații:
 - Înainte de curățare și întreținere.
 - Înainte de reparație.
 - Dacă există spumă sau lichide în zonă.
- Nu vă îndepărtați de produs când este conectat. Deconectați ștecherul din priză când nu este utilizat și înainte de întreținere.
- Nu utilizați produsul dacă ștecherul sau cablul este deteriorat. Pentru a deconecta, țineți de conector, nu de cablu. Nu țineți ștecherul sau produsul cu mâinile ude. Resetați toate comenzile înainte de a deconecta.

- Nu trageți produsul de cablu. Nu folosiți cablul drept mâner. Nu striviți cablul cu o ușă și nu trageți cablul în jurul unor margini sau colțuri ascuțite. Nu utilizați produsul trăgându-l de cablu. Păstrați cablul la distanță de suprafețe fierbinți.
- Țineți părul, hainele lejere, degetele și toate părțile corpului la distanță de orificii și de piesele aflate în mișcare. Nu introduceți obiecte în orificii sau nu utilizați produsul cu orificiul blocat. Păstrați orificiile fără praf, scame, fire de păr și orice altceva care poate reduce debitul de aer.
- Nu aspirați pulberi periculoase cu WDC 220, WDC 225.
- Nu aspirați lichide inflamabile, cum ar fi benzina. Nu utilizați produsul în zonele în care pot exista astfel de produse.
- Nu aspirați niciun material care arde sau care scoate fum, precum țigări, chibrituri sau cenușă fierbinte.
- Aveți grijă când curățați scări.
- Dacă din produs iese spumă sau lichid, opriți-l imediat.
- Nu folosiți produsul ca pompă de apă.
- Conectați produsul la o priză de curent cu împământare corectă. Priza și prelungitorul trebuie să dispună de un conductor de protecție operațional (aplicabil numai pentru produsele care nu sunt dublu izolate).
- Asigurați-vă că există ventilație adecvată în zona de lucru.
- Nu utilizați produsul drept scară.
- Atunci când sunt utilizate dispozitive de îndepărtare a prafului, rata la care aerul este schimbat în cameră trebuie să fie adecvată dacă aerul evacuat de aspirator este suflat în cameră. Respectați reglementările naționale înainte de utilizare.
- Pentru produsele cu clasa de praf L, WDC 325L, instruiți operatorul înainte de utilizare cu privire la:
 - Modul de utilizare a produsului.
 - Riscurile materialului care va fi aspirat.
 - Eliminarea sigură a materialului aspirat.
- Pentru produsele cu clasa de praf L, WDC 325L, se aplică următoarele:
 - Utilizați produsul pentru a curăța praf uscat neinflamabil și lichide,

pulberi periculoase cu OEL¹⁾ > 1 mg/m³. Clasa de praf L (IEC 60335-2-69). Praful din această clasă are valori OEL¹⁾ > 1 mg/m³.

- Produsele din clasa de praf L dispun de un material de filtrare testat. Gradul maxim de permeabilitate este de 1%. Nu există cerințe speciale pentru eliminare.

Nota: Consultați legislația locală. Este posibil ca reglementările locale să limiteze vârsta operatorului.

Siguranță pentru produsele cu izolație dublă



AVERTISMENT: Utilizați produsul numai așa cum se indică în acest manual și numai cu accesoriile recomandate de producător.



AVERTISMENT: **Aplicabil doar pentru Marea Britanie: Citiți aceste instrucțiuni importante.** Aceste instrucțiuni au fost întocmite pentru maximum de siguranță și eficiență. Operatorul trebuie să fie instruit de un instructor aprobat și trebuie să înțeleagă aceste instrucțiuni de operare. Operatorul trebuie să cunoască toate reglementările și legile conexe în vigoare în momentul operării.



AVERTISMENT: **Înainte de a conecta produsul:** Asigurați-vă că tensiunea din rețea și frecvența rețelei sursei de alimentare corespund datelor de pe plăcuța de identificare a aspiratorului cu aspirare umedă/uscată.



AVERTISMENT: Acest produs dispune de izolație dublă. Utilizați numai piese de schimb Husqvarna. Consultați instrucțiunile cu privire la modul în care se realizează operațiile de service pe produsele cu izolație dublă.



AVERTISMENT: Produsul are un cablu special. În cazul în care cablul este deteriorat, acesta trebuie înlocuit cu un

cablu de același tip. Acesta este disponibil la centrele de service și distribuitorii autorizați și trebuie să fie instalat de către personal autorizat.



AVERTISMENT: Realizarea operațiilor de service pe un produs cu izolație dublă necesită cunoașterea sistemului. Un produs cu izolație dublă dispune de două sisteme de izolare în loc de împământare. Nu este furnizat niciun mijloc de împământare pe un produs cu izolație dublă și nici nu trebuie adăugat un mijloc de a împământa aparatul. Operațiile de service trebuie realizate numai de către personal de service autorizat. Piesele de schimb pentru un produs cu izolație dublă trebuie să fie identice cu piesele pe care le înlocuiesc. Un produs cu izolație dublă are marcate cuvintele „IZOLAȚIE DUBLĂ” sau „DUBLU IZOLAT”. Un simbol poate fi utilizat și pe produs.

Siguranța privind echipamentele electrice

- Se recomandă ca aspiratorul să fie conectat printr-un întrerupător de circuit pentru curent rezidual.
- Aranjați piesele electrice (prize, mufe și cuplaje) și așezați cablul prelungitor astfel încât să se mențină clasa de protecție.
- Conectorii și cuplajele cablurilor de alimentare și ale prelungitoarelor trebuie să fie etanșe.

Cablul prelungitor

- Drept cablu prelungitor, utilizați numai versiunea specificată de producător sau una de calitate superioară.
- Când utilizați un cablu prelungitor, verificați secțiunile transversale minime ale cablului:

Lungime cablu	Secțiune transversală	
	< 16 A	< 25 A
< 20 m	1,5 mm ²	2,5 mm ²
20-50 m	2,5 mm ²	4,0 mm ²



AVERTISMENT: Partea superioară a aspiratorului conține componente sub tensiune. Contactul cu componente sub tensiune duce la vătămări

corporale grave sau chiar mortale.

- Nu pulverizați niciodată apă pe partea superioară a aspiratorului.
-



AVERTISMENT:

Electrocutare cauzată de cablu defect conectat la rețea. Atingerea unui cablu defect conectat la priză poate duce la vătămări corporale grave sau chiar mortale.

- Nu deteriorați cablul de alimentare electrică (de exemplu, conducând peste acesta, trăgându-l sau strivindu-l).
- Verificați regulat cablul de alimentare pentru a vedea dacă este deteriorat sau prezintă semne de uzură.
- În cazul în care cablul de alimentare electrică este deteriorat, pentru a evita pericolele, acesta trebuie înlocuit de către un distribuitor Husqvarna autorizat sau persoane calificate similare.
- În nici un caz cablul de alimentare nu trebuie înfășurat în jurul degetelor sau al

oricărei părți a corpului operatorului.



ATENȚIE: Mufa aparatului (numai la unele modele) este proiectată numai pentru scopurile definite în instrucțiunile de operare. Conectarea unor aparate diferite poate duce la deteriorare.

- Înainte de conectarea unui aparat, opriți întotdeauna produsul și aparatul care urmează să fie conectat.
 - Citiți instrucțiunile de operare ale aparatului care urmează să fie conectat și respectați notele de siguranță cuprinse în acestea.
-



ATENȚIE: Deteriorare cauzată de tensiune neadecvată a rețelei. Aparatul poate fi deteriorat ca urmare a conectării la o tensiune neadecvată a rețelei.

- Asigurați-vă că tensiunea din rețea și frecvența rețelei sursei de alimentare corespund datelor de pe plăcuța de identificare a aspiratorului cu aspirare umedă/uscată.

Instrucțiuni de siguranță pentru utilizare

Curățarea lichidelor



ATENȚIE: Nu curățați lichide inflamabile.

- Demontați sacul filtrului înainte de a începe să curățați lichide. Verificați dacă plutitorul sau limita nivelului de apă funcționează corect.
- Utilizați un element filtrant sau un ecran filtrant special.
- Dacă iese spumă din produs, opriți imediat lucrul și goliiți rezervorul.

Materiale periculoase



AVERTISMENT: Nu curățați materiale periculoase. Se pot produce vătămări corporale.

- Nu curățați următoarele materiale:
 - pulberi periculoase
 - materiale fierbinți, de exemplu, țigări aprinse și cenușă fierbinte.
 - lichide inflamabile, explozive, agresive, de exemplu, benzină, solvenți, acizi și baze.
 - pulberi inflamabile, explozive, de exemplu, pulberi de magneziu sau aluminiu.

Piese de schimb și accesorii



ATENȚIE: Utilizați numai piese de schimb și accesorii pentru siguranța produsului.

Ce trebuie făcut înainte de instalare

1. Deblocați clemele și ridicați motorul. (Fig. 8)
2. Demontați accesoriile de pe recipientul pentru murdărie. (Fig. 9)
3. Asigurați-vă că toate piesele sunt incluse. Consultați prezentarea generală a produsului. Unelte necesare: Șurubelniță.

Pentru a instala sacul filtrului

1. Rotiți întrerupătorul principal în poziția „0”.
2. Deconectați produsul. (Fig. 10)
3. Deblocați clemele și ridicați motorul. (Fig. 8)

- Utilizați numai piese de schimb și accesorii de la Husqvarna.
- Utilizați numai perii furnizate cu produsul sau menționate în manualul operatorului.

Atmosferă explozivă sau inflamabilă



ATENȚIE: Nu utilizați produsul în atmosfere explozive sau inflamabile. Nu utilizați produsul în apropierea lichidelor, a gazelor sau a fumului, care pot provoca atmosfere inflamabile.

Funcția suflantei



AVERTISMENT: Praful poate cauza probleme de sănătate. Produsul dispune de o funcție de suflantă. Nu suflați aerul de ieșire aleatoriu în încăperi închise. Utilizați funcția de suflantă numai cu un furtun curat.

Instrucțiuni de siguranță pentru întreținere



AVERTISMENT: Înainte de a efectua lucrări de întreținere asupra produsului, citiți toate instrucțiunile de avertisment de mai jos.

Golirea recipientului pentru praf



ATENȚIE: Materialul curățat poate fi periculos pentru mediu. Eliminați murdăria consultând reglementările legale.

Asamblarea



AVERTISMENT: Citiți și înțelegeți capitolul referitor la siguranță înainte de asamblarea produsului.

4. Introduceți sacul filtrului în recipientul pentru murdărie.
5. Atașați partea de carton a sacului filtrului pe orificiul de admisie al aspiratorului. Asigurați-vă că membrana din cauciuc trece peste partea proeminentă a orificiului de admisie al aspiratorului. (Fig. 11)
6. Puneți motorul pe recipientul pentru murdărie și blocați clemele. (Fig. 12)

Atașarea accesoriilor

1. Puneți accesoriile în poziție pentru acces ușor. (Fig. 13)
2. Atașați cutia de scule în partea din spate a produsului. (Fig. 14)
3. Atașați suportul de cablu și furtunul în partea din spate a produsului. (Fig. 15)

Instalarea furtunului

1. Introduceți furtunul în orificiul de admisie al aspiratorului din partea frontală a produsului. (Fig. 16)
2. Conectați aparatul la priză.
3. Rotiți întrerupătorul principal în poziția „I”. (Fig. 17)
4. Reglați puterea de aspirare de la mâner sau de la întrerupătorul principal*. *Numai pe anumite modele. (Fig. 18)

Instalarea suportului de tub

1. Deplasați suportul tubului vertical pe tubul de extensie.
2. Folosiți o șurubelniță pentru a instala suportul tubului la înălțimea corectă a tubului de extensie. (Fig. 19)
3. Așezați tubul de extensie în suporturile din partea posterioară a produsului. (Fig. 20)

Funcționarea

Introducere



AVERTISMENT: Înainte de a utiliza produsul, trebuie să citiți și să înțelegeți capitoul privind siguranța.

Pornirea produsului

Înainte de folosirea produsului, asigurați-vă că frecvența și tensiunea indicate pe plăcuța de identificare sunt aceleași cu tensiunea de la rețea.

1. Asigurați-vă că întrerupătorul principal este în poziția „0”. (Fig. 10)
2. Verificați dacă filtrele corecte sunt în poziție în produs.
3. Introduceți furtunul în orificiul de admisie al aspiratorului din partea frontală a produsului. Împingeți furtunul înainte până când este fixat strâns în poziție în orificiul de admisie al aspiratorului. (Fig. 16)
4. Conectați cele două tuburi de extensie cu mânerul. Rotiți tuburile de extensie pentru a vă asigura că sunt fixate corect în poziție.
5. Atașați un cap de aspirare la tubul de extensie. Selectați capul de aspirare în funcție de tipul de material care trebuie curățat.
6. Conectați ștecherul în priză.
7. Rotiți întrerupătorul principal în poziția „I” pentru a porni produsul. (Fig. 17)

Oprirea produsului

1. Rotiți întrerupătorul principal în poziția „0” pentru a opri produsul.
2. Deconectați ștecherul din priză. (Fig. 10)

Utilizarea funcției suflantă

1. Introduceți furtunul în orificiul de admisie din partea posterioară a produsului. (Fig. 21)
2. Conectați ștecherul în priză.
3. Rotiți întrerupătorul principal în poziția „I”. (Fig. 17)

4. Reglați puterea de suflare de la mâner sau de la întrerupătorul principal*. *Numai pe anumite modele. (Fig. 22)

Utilizarea prizei pentru scule electrice*

*Numai pe anumite modele.



ATENȚIE: Urmăți instrucțiunile de operare și de siguranță pentru aparatele conectate la priza pentru scule electrice.

Nota: Consumul maxim de energie al sculei conectate este indicat în secțiunea *Date tehnice la pagina 273*.

1. Asigurați-vă că întrerupătorul de pe scula electrică este în poziția „0”. (Fig. 23)
2. Deconectați mânerul de la furtun. Apăsăți trapele de la capătul furtunului (A) și scoateți mânerul (B). (Fig. 24)
3. Conectați adaptorul sculei electrice. (Fig. 25)
4. Reglați puterea de aspirare de la adaptorul sculei electrice sau de la întrerupătorul principal*. *Numai pe anumite modele. (Fig. 26)
5. Conectați furtunul la orificiul de admisie de aspirare al produsului și la scula electrică. Conectați cablul sculei electrice la conexiunea electrică a produsului. (Fig. 27)
6. Asigurați-vă că întrerupătorul de pe scula electrică este în poziția „0”. (Fig. 23)
7. Rotiți întrerupătorul principal de pe produs în poziția sculă electrică (A).
8. Rotiți întrerupătorul sculei electrice în poziția „I” (B). (Fig. 28)

Nota: Puteți porni și opri produsul de la întrerupătorul principal de pe produs (A) sau de pe scula electrică (B).

Curățarea lichidului

Nota: Produsul are un sistem cu plutitor care oprește fluxul de aer care circulă prin produs când se atinge nivelul maxim de lichid.



ATENȚIE: Nu curățați lichid fără a avea în poziție sistemul cu plutitor.

1. Asigurați-vă că filtrul și tensionatorul filtrului (sistemul cu plutitor) sunt în poziție, consultați *Înlocuirea filtrului la pagina 271*. Demontați sacul filtrului, dacă este instalat.

Întreținerea

Introducere



AVERTISMENT: Înainte de a efectua orice operații de întreținere, citiți și înțelegeți capitolul privind siguranța.

Toate lucrările de service și de reparații la produs necesită instruire specială. Garantăm disponibilitatea unor lucrări profesionale de reparații și service. Dacă distribuitorul dvs. nu este agent de service, solicitați acestuia informații cu privire la cel mai apropiat agent de service.

Service și inspecție periodică

- Operațiile de service și inspecție periodică ale produsului trebuie să fie realizate de către personal calificat, cu respectarea legislației și a reglementărilor conexe.
- Trebuie realizate frecvent teste electrice privind continuitatea împământării, rezistența izolației și starea cablului flexibil.
- Dacă este constatat un defect, produsul **trebuie** scos din funcțiune și reparat de către un tehnician de service autorizat.

Întreținerea produselor din clasa de praf L

Următoarele se aplică pentru produsele din clasa de praf L, WDC 325L.

- În timpul operațiilor de întreținere și curățare, utilizați produsul în siguranță pentru personalul de întreținere sau alte persoane.
- În zona de întreținere:
 - Utilizați obligatoriu un flux de aer filtrat.
 - Utilizați îmbrăcăminte de protecție.
 - Curățați zona de întreținere, astfel încât să nu pătrundă materiale dăunătoare în alte zone.

2. Utilizați capul de aspirare pentru podea pentru a curăța lichid.
3. La nivelul maxim de lichid, se observă o schimbare evidentă a sunetului motorului. Puterea de aspirare scade.
4. Opriți produsul, consultați *Oprirea produsului la pagina 269*.
5. Goliți recipientul pentru murdărie, consultați *Pentru a goli recipientul pentru murdărie după aspirarea de lichid la pagina 270*.

- Dacă piesele nu pot fi curățate satisfăcător în timpul operațiilor de întreținere și reparație:

- Puneți piesele în pungi sigilate corect.
- Eliminați piesele respectând reglementările legale.

Pentru a goli recipientul pentru murdărie după aspirarea de lichid

1. Opriți produsul, consultați *Oprirea produsului la pagina 269*.
2. Deconectați furtunul de pe orificiul de admisie de aspirare, trăgându-l în exterior.
3. Deblocați clemele și ridicați motorul. (Fig. 8)
4. Goliți recipientul pentru murdărie înclinându-l spre spate și turnați lichidul într-un sifon de pardoseală. * Măner numai pe anumite modele. (Fig. 29)



ATENȚIE: Goliți și curățați întotdeauna recipientul pentru murdărie și sistemul cu plutitor după aspirarea lichidelor. Nu aspirați lichid fără a avea sistemul cu plutitor și filtrul instalate pe produs.

5. Puneți motorul pe recipientul pentru murdărie și blocați clemele. (Fig. 12)

Golirea recipientului pentru murdărie după aspirarea uscată

1. Opriți produsul, consultați *Oprirea produsului la pagina 269*.
2. Deblocați clemele și ridicați motorul. (Fig. 8)
3. Verificați dacă sacul filtrului este plin.
4. Îndepărtați sacul filtrului dacă este plin.



ATENȚIE: Nu aspirați material uscat fără a avea filtrul și sacul filtrului în poziție.

- Instalați un sac de filtru nou, consultați *Pentru a instala sacul filtrului la pagina 268*.

Nota: Eficiența de aspirare a produsului depinde de dimensiunea și calitatea filtrului și a sacului filtrului. Utilizați numai filtrul și sacii de filtru Husqvarna.

- Puneți motorul pe recipientul pentru murdărie și blocați clemele. (Fig. 12)

Curățarea filtrului, sistem de curățare a filtrului

Produsul dispune de un sistem semi-automat de curățare a filtrului. Utilizați sistemul de curățare a filtrului în mod regulat, cel târziu atunci când performanța de curățare nu mai este suficientă. Utilizarea regulată a sistemului de curățare a filtrului crește durata de viață a filtrului.

- Curățați filtrul când puterea de aspirare nu mai este suficientă. (Fig. 30)
- Introduceți furtunul în orificiul de admisie al aspiratorului din partea frontală a produsului. (Fig. 16)
- Conectați aparatul la priză.
- Rotiți întrerupătorul principal în poziția „I”. (Fig. 17)
- Luaiți mânerul în mână (A) pentru a aspira din mână.
- Loviți butonul de curățare a filtrului de 3 ori cu pumnul (B). (Fig. 31)
- Dacă puterea de aspirare nu este suficientă, scoateți filtrul, consultați *Înlocuirea filtrului la pagina 271*.
- Agitați, periați sau spălați filtrul pentru a-l curăța.
- Lăsați filtrul să se usuce.
- Instalați filtrul, consultați *Pentru a instala sacul filtrului la pagina 268*.

Pentru a curăța produsul la exterior

- Oprii produsul, consultați *Oprirea produsului la pagina 269*.

- Curățați produsul cu o lavetă uscată și o cantitate mică de spray de lustruire.

Înlocuirea filtrului

Produsul este conceput pentru operațiuni grele în regim continuu. Filtrul de praf trebuie înlocuit în funcție de numărul de ore de funcționare.

- Oprii produsul, consultați *Oprirea produsului la pagina 269*.
- Deblocați clemele și ridicați motorul. (Fig. 8)
- Rotiți tensionatorul filtrului (A) în sens invers acelor de ceasornic și scoateți-l. Scoateți filtrul (B). (Fig. 32)
- Instalați filtrul nou (A). Instalați tensionatorul filtrului (B) și rotiți-l în sensul acelor de ceasornic. (Fig. 33)
- Asigurați-vă că filtrul și tensionatorul filtrului sunt în poziție. (Fig. 34)
- Puneți motorul pe recipientul pentru murdărie și blocați clemele. (Fig. 12)

Înlocuirea sacului filtrului

- Oprii produsul, consultați *Oprirea produsului la pagina 269*.
- Deblocați clemele și ridicați motorul. (Fig. 8)
- Verificați dacă sacul filtrului este plin. Îndepărtați sacul filtrului dacă este plin.
- Scoateți partea de carton a sacului filtrului de pe orificiul de admisie al aspiratorului.
- Ridicați sacul filtrului (A) și aruncați-l.
- Introduceți sacul filtrului în recipientul pentru murdărie (B).
- Atașați partea de carton a sacului filtrului pe orificiul de admisie al aspiratorului (C). Asigurați-vă că membrana din cauciuc trece peste partea proeminentă a orificiului de admisie al aspiratorului. (Fig. 35)
- Puneți motorul pe recipientul pentru murdărie și blocați clemele. (Fig. 12)

Transportul, depozitarea și eliminarea

Transportul și depozitarea

- După utilizare:
 - Când produsul nu mai este utilizat, deconectați ștecherul de la rețeaua de alimentare.
 - Înfășurați cablul pornind de la produs.
 - Utilizați suportul de cablu pentru a atașa cablul de blocul motor.
 - Înfășurați furtunul.

- Utilizați suportul de furtun pentru a atașa furtunul de blocul motor.
- Transport:
 - Închideți toate clemele de pe blocul motor.
 - Nu înclinați produsul dacă există lichid în recipientul pentru murdărie.
 - Nu folosiți un cârlig de macara pentru a ridica produsul.

- Depozitarea:
 - Păstrați produsul într-un spațiu uscat și ferit de îngheț.

Reciclarea produsului

Urmați acești pași pentru a face produsul inutilizabil.

1. Deconectați ștecherul din priză.
2. Tăiați cablul de alimentare.
3. Nu eliminați produsul împreună cu deșeurile menajere obișnuite.

Eliminarea (în conformitate cu 2012/19/CE):

Produsul nu trebuie aruncat împreună cu deșeurile menajere normale. Trebuie să fie eliminat în conformitate cu reglementările locale referitoare la protecția mediului înconjurător.

Aveți grijă ca produsul să fie eliminat prin intermediul sau cu ajutorul centrului de reciclare al administrației locale.

(Fig. 5)

Date tehnice

Date tehnice

	EU/CH		GB		AU/NZ		SUA
	WDC 220	WDC 325L	WDC 220	WDC 325L	WDC 220	WDC 325L	WDC 225
Tensiune, V	220-240	220-240	220-240	220-240	220-240	220-240	110-120
Putere P_{iec} , W	1000	1200	1000	1000	1000	1000	1000
Sarcină conectată pentru mufa aparatului, W	-	2400 /1100	-	1900	-	1300	-
Frecvență, Hz	50/60				50-60		50/60
Punct de topire fuzibil, A	10	16/10	13	13	10	10	15
Categorie de protecție (umezeală, praf)	IPX4						
Clasă de protecție (electrică)	II (Fig. 4)	I	II (Fig. 4)	I	II (Fig. 4)	I	II (Fig. 4)
Debit de aer, l/min	3600	3700	3600	3600	3600	3600	3200
Debit de aer, picior cubic/minut	127	130	127	127	127	127	113
Aspirare, mbar	210	235	210	210	210	210	210
Nivel de presiune sonoră la 1 m, EN 60704-1, dB(A) +/- 2	72						
Vibrație ISO 5349, m/s^2 +/- 1	< 1,5						
Greutate, kg	7,5	8,5	7,5	8,5	7,5	8,5	7,5
Lățime, mm	377	376	377	376	377	376	377
Adâncime, mm	385	392	385	392	385	392	392
Înălțime, mm	506	533	506	530	506	530	550

Declarație de conformitate CE

Declarație de conformitate CE

Husqvarna AB, SE-561 82 Huskvarna, Suedia, tel.:
+46-36-146500, declară că **aspiratorul Husqvarna**
WDC 220, 3325L respectă cerințele DIRECTIVEI
CONSILIULUI:

- din 17 mai 2006 „referitoare la utilaje” **2006/42/CE**
- din 26 februarie 2014 „referitoare la compatibilitatea
electromagnetică” **2014/30/UE**

Au fost aplicate următoarele standarde:

EN 60335-1:2012+A11:2014, EN 60335-2-69:2012, EN
55014-1:2006+A1:2009+A2:2011, EN 55014-2:2015,
EN 61000-3-2:2014, EN 61000-3-3:2013

În absența altor indicații, standardele menționate mai
sus reprezintă cele mai recente versiuni publicate.

Huskvarna, 2018-08-01



Cornelia Ekbladh, Director management produse

Содержание

Введение.....	275	Техническое обслуживание.....	283
Безопасность.....	276	Транспортировка, хранение и утилизация.....	285
Сборка.....	282	Технические данные.....	286
Эксплуатация.....	282	Декларация соответствия ЕС.....	287

Введение

Описание изделия

Изделие представляет собой универсальный пылесос для коммерческого использования.

Назначение

Изделие подходит для сбора сухой негорючей пыли и жидкостей.

Прочитайте инструкции по технике безопасности и указания по эксплуатации и следуйте им.

Обзор изделия WDC 220, WDC 225

(Рис. 1)

1. Главный выключатель
2. Система очистки фильтра
3. Всасывающее отверстие
4. Колеса
5. Держатель кабеля, держатель шланга
6. Фильтр-мешок

Обзор изделия WDC 325L

(Рис. 2)

1. Главный выключатель
2. Система очистки фильтра
3. Всасывающее отверстие
4. Колеса
5. Держатель кабеля, держатель шланга
6. Фильтр-мешок
7. Насадка
8. Рукоятка
9. Насадка для пола
10. Щелевая насадка
11. Руководство по эксплуатации
12. Труба-удлинитель
13. Шланг
14. Адаптер для электроинструмента
15. Электрическое соединение для электроинструмента
16. Ящик для инструментов

Условные обозначения на изделии

(Рис. 3) Перед началом работы внимательно прочитайте руководство по

Разрешается выполнять техническое обслуживание и ремонт изделия только в объеме, указанном производителем.

Производитель не несет ответственности за ущерб, возникший в результате ненадлежащей эксплуатации, технического обслуживания или ремонта.

7. Насадка
8. Рукоятка
9. Насадка для пола
10. Щелевая насадка
11. Руководство по эксплуатации
12. Труба-удлинитель
13. Шланг

эксплуатации и убедитесь, что понимаете приведенные здесь инструкции.

(Рис. 4) Агрегат имеет двойную изоляцию.

(Рис. 5) Запрещается утилизировать агрегат вместе с бытовыми отходами. Соблюдайте требования местного законодательства.

(Рис. 6) Изделие соответствует действующим директивам ЕС.

Примечание: Остальные символы/этикетки на изделии отвечают требованиям, предъявляемым к сертификации в других коммерческих зонах.

Класс удаления пыли L

(Рис. 7)

Соблюдайте меры безопасности, относящиеся к классу удаления пыли L.

Ответственность изготовителя

В соответствии с законами об ответственности изготовителя мы не несем ответственности за ущерб, вызванный эксплуатацией нашего изделия в результате:

- ненадлежащего ремонта изделия;
- использования для ремонта изделия неоригинальных деталей или деталей, не одобренных производителем;

- использования неоригинальных дополнительных принадлежностей или принадлежностей, не одобренных производителем;
- ремонта изделия в неавторизованном сервисном центре или неквалифицированным специалистом;

Безопасность

Инструкции по технике безопасности

Предупреждения, предостережения и примечания используются для выделения особо важных пунктов руководства.



ПРЕДУПРЕЖДЕНИЕ:

Используется, когда несоблюдение инструкций руководства может привести к травмам или смерти оператора или находящихся рядом посторонних лиц.



ВНИМАНИЕ: Используется, когда несоблюдение инструкций руководства может привести к повреждению изделия, других материалов или прилегающей территории.

Примечание: Используется для предоставления дополнительных сведений о конкретной ситуации.

Общие инструкции по технике безопасности



ПРЕДУПРЕЖДЕНИЕ: В обязательном порядке прочитайте следующие инструкции по технике безопасности, прежде чем приступить к эксплуатации изделия.

- В случае повреждения изделия и/или принадлежности ремонт должен выполняться в авторизованном сервисном центре. Не используйте поврежденное изделие.

- Не позволяйте детям использовать изделие. Не разрешайте пользоваться изделием или выполнять его техобслуживание людям, которые не знакомы с данными инструкциями.
- Эксплуатация изделия всегда должна осуществляться под присмотром.
- Не позволяйте людям с ограниченными физическими или умственными способностями пользоваться данным изделием без присмотра.
- Необходимо следить, что дети не используют изделие в качестве игрушки.
- Избегайте опасных ситуаций при работе.
- Запрещается использовать изделие без правильно установленных фильтров.
- Останавливайте изделие и отключайте вилку питания от сети в следующих условиях:

- Перед проведением очистки и техобслуживания.
- Перед проведением ремонта.
- При появлении пены или жидкости на рабочем участке.
- Запрещается оставлять подключенное к сети изделие без присмотра. Отключайте вилку питания от сети, если изделие не используется, а также перед проведением техобслуживания.
- Запрещается использовать изделие с поврежденным шнуром или вилкой питания. При отключении от сети держитесь за вилку питания, не тяните за шнур. Не прикасайтесь к вилке питания или изделию влажными руками. Перед отключением от сети выключите все органы управления.
- Запрещается тянуть изделие за шнур. Ни в коем случае не используйте шнур в качестве рукоятки. Не защемляйте шнур дверью и не прокладывайте его вдоль острых краев или углов. Изделие не должно переезжать через шнур. Не приближайте шнур к горячим поверхностям.
- При работе следите за тем, чтобы волосы, свободная одежда, пальцы и иные части тела не попали в отверстия и движущиеся узлы. Запрещается помещать в отверстия посторонние предметы или использовать изделие с заблокированными отверстиями. Не допускайте попадания в отверстия пыли, ворса, волос и другого мусора, который может снизить мощность воздушного потока.
- Запрещается использовать WDC 220, WDC 225 для сбора опасной пыли.
- Ни в коем случае не используйте изделие для сбора горючих или огнеопасных жидкостей, например, бензина. Запрещается использовать изделие там, где могут присутствовать такие жидкости.
- Запрещается собирать дымящиеся или горящие предметы, например, сигареты, спички и горячий пепел.

- Соблюдайте осторожность при уборке лестниц.
- При утечке пены или жидкости незамедлительно остановите изделие.
- Запрещается использовать изделие в качестве водяного насоса.
- Подключайте изделие к правильно заземленной сетевой розетке. Сетевая розетка и удлинительный кабель должны быть оборудованы исправным защитным проводником (касается только изделий без двойной изоляции).
- Обеспечьте надлежащую вентиляцию в рабочей зоне.
- Запрещается использовать изделие в качестве лестницы или стремянки.
- При использовании пылеуловителей необходимо обеспечить надлежащую скорость воздухообмена в помещении, если воздух из пылесоса выдувается обратно в помещение. Перед началом эксплуатации проверьте соблюдение государственных нормативов.
- Для изделий класса удаления пыли L, WDC 325L, перед началом эксплуатации оператор должен ознакомиться со следующей информацией:
 - Процедура эксплуатации изделия.
 - Риски, связанные с собираемым материалом.
 - Безопасная утилизация собранного материала.
- Для изделий класса удаления пыли L, WDC 325L, действуют следующие правила:
 - Изделие подходит для сбора сухой негорючей пыли и жидкостей; частицы опасной пыли должны иметь значение $OEL^{1)} > 1 \text{ мг/м}^3$.
Класс удаления пыли L (IEC 60335-2-69). Данный класс подразумевает, что частицы пыли имеют значение $OEL^{1)} > 1 \text{ мг/м}^3$.
 - Материал фильтра изделий с классом удаления пыли L прошел проверку. Максимальная проницаемость составляет 1%. Особые требования к утилизации отсутствуют.

Примечание: Ознакомьтесь с местным законодательством. В нем могут быть установлены требования к возрасту оператора.

Безопасность изделий с двойной изоляцией



ПРЕДУПРЕЖДЕНИЕ:

Используйте изделие в строгом соответствии с инструкциями настоящего руководства и только вместе с рекомендованными производителем принадлежностями.



ПРЕДУПРЕЖДЕНИЕ: Только для Великобритании: Прочтите следующие важные инструкции. Данные инструкции подготовлены для гарантии максимальной безопасности и эффективности. Оператор должен пройти обучение у сертифицированного инструктора и должен четко понимать данные инструкции по эксплуатации. Оператор должен ознакомиться со всеми соответствующими законами и действующими на момент эксплуатации нормативами.



ПРЕДУПРЕЖДЕНИЕ: Перед подключением изделия: Убедитесь, что частота и напряжение сети питания соответствуют данным на паспортной табличке пылесоса для влажной/сухой уборки.



ПРЕДУПРЕЖДЕНИЕ: Данное изделие имеет двойную изоляцию. Используйте только запчасти Husqvarna. См. инструкции по обслуживанию изделий с двойной изоляцией.



ПРЕДУПРЕЖДЕНИЕ: Изделие оснащено специальным шнуром. При повреждении шнура его необходимо заменить шнуром такого же типа. Такой шнур доступен для заказа в авторизованном сервисном/дилерском центре; установку должен выполнять только сертифицированный специалист.



ПРЕДУПРЕЖДЕНИЕ: Обслуживание изделия с двойной изоляцией требует знаний такой системы. В изделиях с двойной изоляцией вместо заземления используются две

системы изоляции. На изделии с двойной изоляцией не предусмотрены никакие способы заземления; не пытайтесь заземлять оборудование. Обслуживание должен выполнять только сертифицированный специалист по техобслуживанию. Сменные детали на изделии с двойной изоляцией должны быть полностью идентичны заменяемым деталям. Изделие с двойной изоляцией отмечено словами "DOUBLE INSULATION" (ДВОЙНАЯ ИЗОЛЯЦИЯ) или "DOUBLE INSULATED" (С ДВОЙНОЙ ИЗОЛЯЦИЕЙ). Кроме того, на изделии может быть соответствующий символ.

Электрическая безопасность

- Рекомендуется подключать пылесос через автоматический выключатель остаточных токов.
- Соблюдайте класс защиты при установке электрических компонентов (розетки, вилки и соединения) и прокладке удлинительного кабеля.
- Разъемы и соединения шнуров питания и удлинительных кабелей должны быть водонепроницаемыми.

Удлинительный кабель

- Используйте в качестве удлинительного кабеля только версию, рекомендованную производителем, или версию еще более высокого качества.
- При использовании удлинительного кабеля проверьте минимальное поперечное сечение кабеля:

Длина кабеля	Поперечное сечение	
	< 16 А	< 25 А
< 20 м	1,5 мм ²	2,5 мм ²
20-50 м	2,5 мм ²	4,0 мм ²



ПРЕДУПРЕЖДЕНИЕ: Верхняя часть пылесоса содержит компоненты, находящиеся под напряжением. Контакт с такими компонентами ведет к тяжелым или даже смертельным травмам.

- Ни в коем случае не распыляйте воду на верхнюю часть пылесоса.



ПРЕДУПРЕЖДЕНИЕ: Риск поражения электрическим током вследствие неисправности кабеля питания. Прикосновение к неисправному кабелю питания может привести к тяжелым или даже смертельным травмам.

- Исключите возможность повреждения кабеля питания (например, при его переезде изделием, чрезмерном растяжении или передавливании).
- Регулярно проверяйте шнур питания на наличие повреждений или признаков износа.
- В случае повреждения электрический кабель должен быть заменен авторизованным дилером Husqvarna или другим специалистом аналогичной квалификации во избежание возникновения рисков.
- Шнур питания ни в коем случае не следует оборачивать вокруг пальцев

или любых других частей тела оператора.



ВНИМАНИЕ: Розетка для оборудования (имеется только на некоторых моделях) предназначена только для целей, указанных в инструкциях по эксплуатации. Подключение другого оборудования может привести к повреждению.

- Прежде чем подключать оборудование, в обязательном порядке остановите изделие и подключаемое оборудование.
 - Прочитайте инструкции по эксплуатации подключаемого оборудования и соблюдайте приведенные там замечания по технике безопасности.
-



ВНИМАНИЕ: Риск повреждения вследствие неподходящего напряжения сети. Оборудование может быть повреждено при подключении

к неподходящему напряжению сети.

- Убедитесь, что частота и напряжение сети питания соответствуют данным на паспортной табличке пылесоса для влажной/сухой уборки.

Инструкции по безопасности во время эксплуатации

Сбор жидкостей



ВНИМАНИЕ: Сбор горючих жидкостей запрещен.

- Перед сбором жидкостей снимите фильтр-мешок. Убедитесь, что поплавок или ограничитель уровня воды исправны.
- Используйте специальный фильтрующий элемент или сетчатый фильтр.
- При утечке пены незамедлительно остановите изделие и опорожните бак.

Опасные материалы



ПРЕДУПРЕЖДЕНИЕ: Сбор опасных материалов запрещен. В противном случае можно получить травмы.

- Запрещен сбор следующих материалов:
 - опасная пыль
 - горячие материалы, например, горящие сигареты или горячий пепел.
 - горючие, взрывоопасные, агрессивные жидкости, например, бензин, растворители, кислоты и щелочи.
 - горючая, взрывоопасная пыль, например, магниевая или алюминиевая пыль.

Запчасти и принадлежности



ВНИМАНИЕ: В целях обеспечения безопасности изделия используйте только запчасти и принадлежности.

- Используйте только запчасти и принадлежности производства компании Husqvarna.
- Используйте только щетки, входящие в комплект поставки изделия или рекомендованные в руководстве по эксплуатации.

Взрывоопасная или огнеопасная атмосфера



ВНИМАНИЕ: Запрещается использовать изделие во взрывоопасных или огнеопасных атмосферах. Запрещается использовать изделие вблизи жидкостей, газов или паров, которые могут привести к образованию огнеопасной атмосферы.

Функция воздуходувки



ПРЕДУПРЕЖДЕНИЕ: Вдыхание пыли может привести к проблемам со здоровьем. Изделие оснащено функцией воздуходувки. Контролируйте направление потока выдуваемого воздуха в закрытых помещениях. Перед использованием функции воздуходувки убедитесь, что шланг чист.

Инструкции по технике безопасности во время технического обслуживания



ПРЕДУПРЕЖДЕНИЕ: в обязательном порядке прочитайте все следующие инструкции по технике безопасности, прежде чем приступить к техобслуживанию изделия.

Опорожнение мусоросборника



ВНИМАНИЕ: Собранный материал может представлять опасность для окружающей среды. Утилизируйте пыль в соответствии с нормативами.

Сборка



ПРЕДУПРЕЖДЕНИЕ: Перед сборкой изделия внимательно изучите раздел техники безопасности.

Порядок действий перед установкой

1. Разблокируйте фиксаторы и поднимите блок двигателя. (Рис. 8)
2. Извлеките принадлежности из мусоросборника. (Рис. 9)
3. Убедитесь в наличии всех входящих в комплект поставки деталей. См. обзор изделия. Необходимые инструменты: Отвертка.

Установка фильтра-мешка

1. Переведите главный выключатель в положение "0".
2. Отключите изделие от сети. (Рис. 10)
3. Разблокируйте фиксаторы и поднимите блок двигателя. (Рис. 8)
4. Установите фильтр-мешок в мусоросборник.
5. Прикрепите картонную часть фильтра-мешка к всасывающему отверстию. Убедитесь, что резиновая мембрана заходит за выступ всасывающего отверстия. (Рис. 11)
6. Установите блок двигателя на мусоросборник и заблокируйте фиксаторы. (Рис. 12)

Установка принадлежностей

1. Расположите принадлежности на их местах для упрощения доступа к ним. (Рис. 13)
2. Закрепите ящик для инструментов с задней стороны изделия. (Рис. 14)
3. Закрепите держатель кабеля и шланга с задней стороны изделия. (Рис. 15)

Установка шланга

1. Вставьте шланг во всасывающее отверстие с передней стороны изделия. (Рис. 16)
2. Подключите оборудование к сети питания.
3. Переведите главный выключатель в положение "I". (Рис. 17)
4. Отрегулируйте мощность всасывания на рукоятке или около главного выключателя*. *Только на некоторых моделях. (Рис. 18)

Установка держателя трубы

1. Переместите держатель трубы по трубе-удлинителю в вертикальном направлении.
2. С помощью отвертки установите держатель трубы на трубе-удлинителе на необходимой высоте. (Рис. 19)
3. Зафиксируйте трубу-удлинитель в держателях с задней стороны изделия. (Рис. 20)

Эксплуатация

Введение



ПРЕДУПРЕЖДЕНИЕ: Перед эксплуатацией прибора необходимо внимательно изучить раздел безопасности.

Запуск изделия

Перед началом эксплуатации изделия убедитесь, что частота и напряжение, указанные на паспортной табличке, соответствуют напряжению сети.

1. Убедитесь, что главный выключатель находится в положении "0". (Рис. 10)
2. Убедитесь, что на изделии установлены правильные фильтры.
3. Вставьте шланг во всасывающее отверстие с передней стороны изделия. Вставьте до упора и убедитесь, что шланг надежно установлен во всасывающее отверстие. (Рис. 16)

4. Подсоедините две трубы-удлинителя вместе с рукояткой. Поверните трубы-удлинители, чтобы они встали в правильное положение.
5. Установите на трубу-удлинитель насадку. Выберите насадку в зависимости от типа собираемого материала.
6. Подключите вилку питания к сети.
7. Переведите главный выключатель в положение "I" для запуска изделия. (Рис. 17)

Остановка изделия

1. Переведите главный выключатель в положение "0" для остановки изделия.
2. Отключите вилку питания от сети. (Рис. 10)

Использование функции воздуходувки

1. Вставьте шланг в отверстие с задней стороны изделия. (Рис. 21)
2. Подключите вилку питания к сети.

3. Переведите главный выключатель в положение "I". (Рис. 17)
4. Отрегулируйте мощность выдуваемого воздуха на рукоятке или около главного выключателя*. *Только на некоторых моделях. (Рис. 22)

Использование розетки для электроинструмента*

*Только на некоторых моделях.



ВНИМАНИЕ: Соблюдайте инструкции по эксплуатации и инструкции по технике безопасности оборудования, подключенного к розетке для электроинструмента.

Примечание: Максимальное потребление мощности подключенным электроинструментом указано в разделе *Технические данные на стр. 286*.

1. Убедитесь, что переключатель на электроинструменте находится в положении "0". (Рис. 23)
2. Отсоедините рукоятку от шланга. Нажмите фиксаторы на конце шланга (А) и вытащите рукоятку (В). (Рис. 24)
3. Подсоедините адаптер для электроинструмента. (Рис. 25)
4. Отрегулируйте мощность всасывания на адаптере для электроинструмента или около главного выключателя*. *Только на некоторых моделях. (Рис. 26)
5. Подсоедините шланг к всасывающему отверстию изделия и к электроинструменту. Подключите кабель электроинструмента к электрическому соединению на изделии. (Рис. 27)
6. Убедитесь, что переключатель на электроинструменте находится в положении "0". (Рис. 23)

7. Переведите главный выключатель на изделии в положение для электроинструмента (А).
8. Переведите переключатель на электроинструменте в положение "I" (В). (Рис. 28)

Примечание: Изделие можно запускать и останавливать с помощью главного выключателя на изделии (А) или на электроинструменте (В).

Сбор жидкости

Примечание: Изделие оснащено поплавковой системой, которая отключает прохождение воздушного потока через изделие при максимальном уровне жидкости.



ВНИМАНИЕ: Сбор жидкости без установленной на место поплавковой системы запрещен.

1. Убедитесь, что фильтр и устройство натяжения фильтра (поплавковая система) установлены, см. раздел *Замена фильтра на стр. 284*. Снимите фильтр-мешок, если он установлен.
2. Для сбора жидкости используйте насадку для пола.
3. При достижении максимального уровня жидкости слышно заметное изменение в уровне шума двигателя. Мощность всасывания снижается.
4. Остановите изделие, см. раздел *Остановка изделия на стр. 282*.
5. Опорожните мусоросборник, см. раздел *Опорожнение мусоросборника после сбора жидкости на стр. 284*.

Техническое обслуживание

Введение



ПРЕДУПРЕЖДЕНИЕ: Перед выполнением техобслуживания необходимо внимательно изучить и понять раздел безопасности.

Для выполнения любых работ по сервисному обслуживанию и ремонту изделия необходимо пройти специальное обучение. Мы гарантируем доступность услуг по профессиональному ремонту и сервисному обслуживанию. Если ваш дилер не занимается сервисным обслуживанием, обратитесь

к нему для получения информации о ближайшем сервисном центре.

Регулярное обслуживание и осмотр

- Регулярное обслуживание и осмотр изделия должны проводить квалифицированные специалисты в соответствии с законодательством и нормативами.
- Следует регулярно проводить проверки целостности заземления, сопротивления изоляции и состояния гибкого шнура.
- При обнаружении неисправности изделие **подлежит** выводу из эксплуатации и

ремонту сертифицированным специалистом по техобслуживанию.

Техобслуживание изделий класса удаления пыли L

Следующие правила касаются изделий класса удаления пыли L, WDC 325L.

- Во время техобслуживания и очистки изделие должно эксплуатироваться специалистами по техобслуживанию или другими лицами с соблюдением всех мер безопасности.
- В зоне проведения техобслуживания:
 - В обязательном порядке используйте фильтрованный воздушный поток.
 - Надевайте защитную одежду.
 - Выполняйте очистку зоны проведения техобслуживания, чтобы вредные материалы не могли попасть за пределы этой зоны.
- Если в ходе техобслуживания и ремонта детали не могут быть очищены надлежащим образом:
 - Поместите детали в герметичные пакеты.
 - Утилизируйте детали в соответствии с нормативами.

Опорожнение мусоросборника после сбора жидкости

1. Остановите изделие, см. раздел *Остановка изделия на стр. 282*.
2. Отсоедините шланг от всасывающего отверстия, потянув за шланг.
3. Разблокируйте фиксаторы и поднимите блок двигателя. (Рис. 8)
4. Опорожните мусоросборник, наклонив его назад и слив жидкость в сток в полу. * Рукоятка имеется только на некоторых моделях. (Рис. 29)



ВНИМАНИЕ: Опорожняйте и очищайте мусоросборник и поплавковую систему каждый раз после сбора жидкости. Ни в коем случае не собирайте жидкость без установленной на изделие поплавковой системы и фильтра.

5. Установите блок двигателя на мусоросборник и заблокируйте фиксаторы. (Рис. 12)

Опорожнение мусоросборника после сбора сухого материала

1. Остановите изделие, см. раздел *Остановка изделия на стр. 282*.
2. Разблокируйте фиксаторы и поднимите блок двигателя. (Рис. 8)
3. Проверьте уровень заполнения фильтра-мешка.
4. Снимите фильтр-мешок, если он заполнен.



ВНИМАНИЕ: Ни в коем случае не собирайте сухой материал без установленного на место фильтра и фильтра-мешка.

5. Установите новый фильтр-мешок, см. раздел *Установка фильтра-мешка на стр. 282*.

Примечание: Эффективность всасывания изделия зависит от размера и качества фильтра и фильтра-мешка. Используйте только фильтры и фильтры-мешки Husqvarna.

6. Установите блок двигателя на мусоросборник и заблокируйте фиксаторы. (Рис. 12)

Очистка фильтра, система очистки фильтра

Изделие оснащено полуавтоматической системой очистки фильтра. Регулярно используйте систему очистки фильтра, хотя бы каждый раз, когда эффективность сбора материала становится ниже допустимой. Регулярное использование системы очистки фильтра продлевает срок службы фильтра.

1. Очищайте фильтр, когда мощность всасывания становится ниже допустимой. (Рис. 30)
2. Вставьте шланг во всасывающее отверстие с передней стороны изделия. (Рис. 16)
3. Подключите оборудование к сети питания.
4. Переведите главный выключатель в положение "I". (Рис. 17)
5. Приложите ладонь к отверстию рукоятки (А), перекрывая всасываемый воздушный поток.
6. Трижды постучите по кнопке очистки фильтра кулаком (В). (Рис. 31)
7. Если мощность всасывания недостаточная, снимите фильтр, см. раздел *Замена фильтра на стр. 284*.
8. Очистите фильтр, вытряхнув его, почистив щеткой или помыв.
9. Дайте фильтру высохнуть.
10. Установите фильтр, см. раздел *Установка фильтра-мешка на стр. 282*.

Очистка изделия снаружи

1. Остановите изделие, см. раздел *Остановка изделия на стр. 282*.
2. Очистите изделие сухой тряпкой с небольшим количеством полироли-спрея.

Замена фильтра

Изделие предназначено для непрерывной работы в тяжелых условиях. В зависимости от количества часов работы требуется периодическая замена пылевого фильтра.

1. Остановите изделие, см. раздел *Остановка изделия на стр. 282*.
2. Разблокируйте фиксаторы и поднимите блок двигателя. (Рис. 8)
3. Поверните устройство натяжения фильтра (А) против часовой стрелки и извлеките его. Извлеките фильтр (В). (Рис. 32)
4. Установите новый фильтр (А). Установите устройство натяжения фильтра (В) и поверните его по часовой стрелке. (Рис. 33)
5. Убедитесь, что фильтр и устройство натяжения фильтра установлены. (Рис. 34)
6. Установите блок двигателя на мусоросборник и заблокируйте фиксаторы. (Рис. 12)
2. Разблокируйте фиксаторы и поднимите блок двигателя. (Рис. 8)
3. Проверьте уровень заполнения фильтра-мешка. Снимите фильтр-мешок, если он заполнен.
4. Снимите картонную часть старого фильтра-мешка со всасывающего отверстия.
5. Извлеките фильтр-мешок (А) и утилизируйте его.
6. Установите новый фильтр-мешок в мусоросборник (В).
7. Прикрепите картонную часть фильтра-мешка к всасывающему отверстию (С). Убедитесь, что резиновая мембрана заходит за выступ всасывающего отверстия. (Рис. 35)
8. Установите блок двигателя на мусоросборник и заблокируйте фиксаторы. (Рис. 12)

Замена фильтра-мешка

1. Остановите изделие, см. раздел *Остановка изделия на стр. 282*.

Транспортировка, хранение и утилизация

Транспортировка и хранение

- После использования:
 - Отключите вилку питания от сети, если изделие не используется.
 - Сверните шнур, начиная с ближнего к изделию конца.
 - Закрепите шнур на блоке двигателя с помощью держателя кабеля.
 - Сверните шланг.
 - Закрепите шланг на блоке двигателя с помощью держателя шланга.
- Транспортировка:
 - Закройте все фиксаторы на блоке двигателя.
 - Запрещается наклонять изделие, если в мусоросборнике присутствует жидкость.
 - Запрещается использовать кран с крюком для подъема изделия.
- Хранение:
 - Храните изделие в сухом и защищенном от низких температур месте.

Утилизация (в соответствии с 2012/19/ЕС):

Утилизация данного изделия вместе с обычными бытовыми отходами запрещена. Его следует утилизировать в соответствии с местными нормами по охране окружающей среды.

Обеспечьте утилизацию изделия через местный муниципальный центр сбора и переработки отходов. (Рис. 5)

Переработка изделия

Выполните следующее для вывода изделия из эксплуатации.

1. Отключите вилку питания от сети.
2. Обрежьте шнур питания.
3. Запрещается утилизировать изделие вместе с обычными бытовыми отходами.

Технические данные

Технические данные

	ЕС/Китай		Великобритания		Австралия/Новая Зеландия		США
	WDC 220	WDC 325L	WDC 220	WDC 325L	WDC 220	WDC 325L	WDC 225
Напряжение, В	220-240	220-240	220-240	220-240	220-240	220-240	110-120
Мощность P _{ис.} , Вт	1000	1200	1000	1000	1000	1000	1000
Нагрузка розетки для подключаемого оборудования, Вт	-	2400 /1100	-	1900	-	1300	-
Частота, Гц	50/60				50-60		50/60
Предохранители, А	10	16/10	13	13	10	10	15
Класс защиты (влага, пыль)	IPX4						
Класс защиты (электрическая)	II (Рис. 4)	I	II (Рис. 4)	I	II (Рис. 4)	I	II (Рис. 4)
Воздушный поток, л/мин	3600	3700	3600	3600	3600	3600	3200
Воздушный поток, куб. фут/мин	127	130	127	127	127	127	113
Разрежение, мбар	210	235	210	210	210	210	210
Уровень звукового давления на расстоянии 1 м, EN 60704-1, дБ(А) +/- 2	72						
Вибрация, ISO 5349, м/с ² +/- 1	<1,5						
Вес, кг	7,5	8,5	7,5	8,5	7,5	8,5	7,5
Ширина, мм	377	376	377	376	377	376	377
Глубина, мм	385	392	385	392	385	392	392
Высота, мм	506	533	506	530	506	530	550

Декларация соответствия ЕС

Декларация соответствия ЕС

Husqvarna AB, SE-561 82 Huskvarna, Швеция,
тел.: +46-36-146500, настоящим заявляет, что
пылесос Husqvarna WDC 220, 3325L соответствует
требованиям ДИРЕКТИВЫ СОВЕТА ЕС:

- от 17 мая 2006 года "о механическом оборудовании" **2006/42/ЕС**
- от 26 февраля 2014 года "об электромагнитной совместимости" **2014/30/EU**

Применяются следующие стандарты:

EN 60335-1:2012+A11:2014, EN 60335-2-69:2012, EN 55014-1:2006+A1:2009+A2:2011, EN 55014-2:2015, EN 61000-3-2:2014, EN 61000-3-3:2013

Если не указано иначе, подразумевается последняя опубликованная редакция стандартов.

Huskvarna, 2018-08-01



Корнелия Экбладх, директор подразделения
управления сбытом продукции

141400, Московская обл., Г. Химки, ул. Ленинградская,
владение 39, строение 6, здание II этаж 4,
помещение ОВ02_04,
телефон горячей линии 8-800-200-1689

Obsah

Úvod.....	288	Údržba.....	295
Bezpečnosť.....	289	Preprava, skladovanie a likvidácia.....	296
Montáž.....	293	Technické údaje.....	297
Prevádzka.....	294	ES vyhlásenie o zhode.....	298

Úvod

Popis výrobku

Tento výrobok je viacúčelový vysávač určený na komerčné použitie.

Plánované použitie

Výrobok používajte na čistenie suchého, nehorľavého prachu a kvapalín.

Prehľad výrobku WDC 220, WDC 225

(Obr. 1)

1. Hlavný vypínač
2. Systém čistenia filtra
3. Vstup vysávača
4. Kolesá
5. Držiak kábla, držiak hadice
6. Filtračné vrečko

Prehľad výrobku WDC 325L

(Obr. 2)

1. Hlavný vypínač
2. Systém čistenia filtra
3. Vstup vysávača
4. Kolesá
5. Držiak kábla, držiak hadice
6. Filtračné vrečko
7. Dýza
8. Rukoväť
9. Hubica na podlahu
10. Hubica na štrbiny
11. Návod na obsluhu
12. Predlžovacia trubica
13. Hadica
14. Adaptér pre elektrický nástroj
15. Elektrické pripojenie pre elektrický nástroj
16. Skrinka s nástrojmi

Symboly na výrobku

(Obr. 3) Skôr než začnete produkt používať, pozorne si prečítajte návod na obsluhu a dôsledne sa oboznámte s pokynmi.

(Obr. 4) Jednotka používa dvojité izoláciu.

Prečítajte si a dodržujte bezpečnostné a prevádzkové pokyny.

Na výrobku vykonávajte len údržbu a opravu, ktoré sú špecifikované výrobcom.

Výrobca nepreberá žiadnu zodpovednosť za škody spôsobené nesprávnym používaním, nesprávnou údržbou alebo nesprávnou opravou.

7. Dýza
8. Rukoväť
9. Hubica na podlahu
10. Hubica na štrbiny
11. Návod na obsluhu
12. Predlžovacia trubica
13. Hadica

(Obr. 5) Jednotku nelikvidujte s komunálnym odpadom. Dodržiavajte miestne požiadavky.

(Obr. 6) Tento výrobok je v súlade s príslušnými smernicami ES.

Poznámka: Ostatné symboly/emblémy na výrobku odkazujú na požiadavky certifikácie pre ďalšie obchodné oblasti.

Trieda prachu L

(Obr. 7)

Dodržiavajte bezpečnostné pokyny a súvisiace opatrenia pre triedu prachu L.

Zodpovednosť za výrobok

V súlade s právnymi predpismi upravujúcimi zodpovednosť za výrobok nenesieme zodpovednosť za škody spôsobené našim výrobkom v dôsledku:

- nesprávne vykonanej opravy výrobku,
- opravy výrobku, pri ktorej neboli použité diely od výrobcu alebo diely schválené výrobcom,
- používania príslušenstva od iného výrobcu alebo príslušenstva, ktoré nie je schválené výrobcom,

- opravy výrobku, ktoré neboli vykonané v schválenom servisnom stredisku alebo schválenými kompetentnými osobami.

Bezpečnosť

Bezpečnostné definície

Výstrahy, upozornenia a poznámky slúžia na zdôraznenie mimoriadne dôležitých častí návodu.



VÝSTRAHA: Používa sa, ak pre obsluhu alebo osoby v okolí existuje nebezpečenstvo poranenia alebo smrti v prípade nedodržania pokynov v návode.



VAROVANIE: Používa sa, ak hrozí nebezpečenstvo poškodenia produktu, iných materiálov alebo okolitej oblasti v prípade nedodržania pokynov v návode.

Poznámka: Používa sa na poskytnutie informácií nad rámec nevyhnutných informácií v danej situácii.

Všeobecné bezpečnostné pokyny



VÝSTRAHA: Skôr než budete produkt používať, prečítajte si nasledujúce výstrahy.

- Ak sú výrobok alebo príslušenstvo poškodené, musia byť opravené v schválenom servisnom stredisku. Ak sa výrobok poškodí, nepoužívajte ho.
- Nedovoľte, aby výrobok používali deti. Nedovoľte, aby výrobok používali alebo na ňom vykonávali údržbu osoby, ktoré nepoznajú potrebné pokyny.
- Výrobok sa smie používať len pod dohľadom.
- Osoby so zníženými fyzickými alebo duševnými schopnosťami musia byť počas používania výrobku vždy pod dozorom.
- Deti musia byť pod dohľadom, aby sa zabezpečilo, že sa s výrobkom nehrajú.
- Nepoužívajte nebezpečné pracovné postupy.
- Nepoužívajte výrobok bez filtrov na správnom mieste.
- V nasledujúcich situáciách zastavte výrobok a odpojte sieťovú zástrčku:
 - Pred čistením a údržbou.
 - Pred opravou.
 - Ak je v oblasti prítomná pena alebo kvapalina.
- Nevzdďaľujte sa od výrobku, keď je pripojený. Keď nie je výrobok v prevádzke a pred údržbou, odpojte sieťovú zástrčku.
- Výrobok nepoužívajte, ak je poškodený kábel alebo zástrčka. Pri odpájaní uchopte zástrčku, nie kábel. Nedržte zástrčku alebo výrobok mokrými rukami. Pred odpojením vynulujte všetky ovládacie prvky.
- Výrobok neťahajte za kábel. Kábel nepoužívajte ako držadlo. Kábel neprivrite do

dverí ani ho neťahajte okolo ostrých hrán či rohov. Výrobok nepoužívajte na kábli. Chráňte kábel pred horúcimi povrchmi.

- Vlasy, voľné oblečenie, prsty ani iné časti tela sa nesmú dostať do blízkosti otvorov ani pohyblivých častí. Do otvorov nevkladajte žiadne predmety ani výrobok nepoužívajte so zablokovaným otvorom. Otvory udržiavajte bez prachu, žmolkov, vlasov a čokoľvek iného, čo môže obmedzovať prúdenie vzduchu.
- Nevysávajte nebezpečný prach WDC 220, WDC 225.
- Nevysávajte žiadne horľavé kvapaliny, ako je benzín. Nepoužívajte výrobok v oblastiach, kde môžu byť takéto produkty.
- Nevysávajte nič, čo horí alebo dymí, ako sú cigarety, zápalky alebo horúci popol.
- Pri čistení na schodoch buďte opatrní.
- Ak z výrobku vyteká pena alebo kvapalina, výrobok okamžite zastavte.
- Výrobok nepoužívajte ako vodné čerpadlo.
- Výrobok pripojte do správne uzemnenej zásuvky. Zásuvka a predlžovací kábel musia mať funkčný ochranný vodič (platí

len pre výroby bez dvojitej izolácie).

- Uistite sa, že je v pracovnom priestore dobré prúdenie vzduchu.
- Výrobok nepoužívajte ako rebrík alebo schodík.
- Pri používaní odstraňovačov prachu musí byť rýchlosť, pri ktorej dochádza k výmene vzduchu v miestnosti, dostatočná, ak je odsávaný vzduch z vysávača vháňaný do miestnosti. Pred použitím zabezpečte dodržiavanie vnútroštátnych predpisov.
- Pre výrobky prachu triedy L, WDC 325L, informujte obsluhu o nasledujúcich bodoch a poskytnite jej školenie pred používaním:
 - Spôsob používania výrobku.
 - Riziká materiálu, ktorý sa má vysávať.
 - Bezpečná likvidácia vysátého materiálu.
- Pre výrobky prachu triedy L, WDC 325L, platí nasledovné:
 - Výrobok používajte na vysávanie suchého, nehorľavého prachu a kvapalín, nebezpečného prachu s hodnotou OEL¹) > 1 mg/m³. Trieda prachu L (IEC 60335-2-69). Prach

s touto triedou má hodnoty OEL¹⁾ > 1 mg/m³.

- Výrobky s triedou prachu L majú testovaný filtračný materiál. Maximálny stupeň priepustnosti je 1 %. Pre likvidáciu neexistujú žiadne osobitné požiadavky.

Poznámka: Pozrite si miestne právne predpisy. Môžu stanovovať vek operátora.

Bezpečnosť pre výrobky s dvojitou izoláciou



VÝSTRAHA: Výrobok používajte len v súlade s týmto návodom a len s príslušenstvom odporúčaným výrobcom.



VÝSTRAHA: Platí len pre Spojené kráľovstvo: Prečítajte si tieto dôležité pokyny. Tieto pokyny boli pripravené s dôrazom na maximálnu bezpečnosť a efektívnosť. Operátor musí byť všískolený schváleným inštruktorom a musí porozumieť týmto pokynom na obsluhu. Operátor musí poznať všetky súvisiace predpisy a zákony platné v čase prevádzky.



VÝSTRAHA: Pred pripojením výrobku: Uistite sa, že sieťové napätie a frekvencia siete napájacieho zdroja zodpovedajú údajom na typovom štítku na mokrý/suchý vysávač.



VÝSTRAHA: Tento výrobok má dvojitú izoláciu. Používajte iba náhradné diely Husqvarna. Pozrite si pokyny k vykonávaniu servisu na výrobkoch s dvojitou izoláciou.



VÝSTRAHA: Výrobok používa špeciálny kábel. Ak je kábel poškodený, musí sa vymeniť za kábel rovnakého typu. Je k dispozícii v schválených servisných strediskách a u predajcov a musí ju nainštalovať schválený personál.



VÝSTRAHA: Servis na výrobku s dvojitou izoláciou vyžaduje znalosť systému. Pri výrobkoch s dvojitou izoláciou sa namiesto uzemnenia používajú dva systémy izolácie. Výrobok s dvojitou

izoláciou nepoužíva žiadne uzemnenie ani sa naň nesmie inštalovať žiadny systém uzemnenia. Servis musí vykonávať iba schválený servisný personál. Náhradné diely pre výrobok s dvojitou izoláciou musia byť identické s dielmi, ktoré sa nahrádzajú. Výrobok s dvojitou izoláciou je označený slovami „DOUBLE INSULATION“ (Dvojitá izolácia) alebo „DOUBLE INSULATED“ (Dvojnásobne izolovaný). Symbol sa môže použiť aj na výrobku.

Elektrická bezpečnosť

- Odporúča sa, aby bol vysávač pripojený prostredníctvom prerušovača elektrického okruhu.
- Usporiadajte elektrické časti (zásuvky, zástrčky a spojky) a veďte predlžovací kábel tak, aby bola zachovaná trieda ochrany.
- Konektory a spojky napájacích káblov a predlžovacích káblov musia byť vodotesné.

Predlžovací kábel

- Ako predlžovací kábel používajte iba verziu špecifikovanú výrobcom alebo verziu vyššej kvality.
- Pri použití predlžovacieho kábla skontrolujte minimálne prierezy kábla:

Dĺžka kábla	Prierez	
	< 16 A	< 25 A
< 20 m	1,5 mm ²	2,5 mm ²
20 – 50 m	2,5 mm ²	4,0 mm ²



VÝSTRAHA: Horná časť vysávača obsahuje diely pod prúdom. Kontakt s dielmi pod prúdom vedie k vážnym alebo dokonca smrteľným zraneniam.

- Nikdy nestriekajte vodu na hornú časť vysávača.



VÝSTRAHA: Zásah elektrickým prúdom v dôsledku chybného sieťového kábla. Kontakt

s chybným sieťovým káblom môže mať za následok vážne alebo dokonca smrteľné zranenia.

- Nepoškodzuje sieťový kábel (napr. prechodom cezeň, jeho ťahaním alebo pomliaždením).
- Pravidelne kontrolujte, či nie je napájací kábel poškodený alebo nevykazuje známky opotrebovania.
- V prípade poškodenia elektrického kábla ho musí vymeniť autorizovaný distribútor Husqvarna alebo podobne kvalifikovaná osoba, aby ste sa nevystavovali nebezpečenstvu.
- V žiadnom prípade sa napájací kábel nesmie obkrúcať okolo prstov alebo akejkolvek časti tela operátora.



VAROVANIE: Zásuvka na elektrické zariadenie (len u niektorých modelov) je navrhnutá len na účely definované v prevádzkových pokynoch. Pripojenie iných zariadení môže spôsobiť poškodenie.

- Pred zapojením zariadenia vždy zastavte výrobok aj zariadenie, ktoré sa má pripojiť.
- Prečítajte si návod na obsluhu pripájaného zariadenia a dodržujte bezpečnostné pokyny, ktoré sú v ňom uvedené.



VAROVANIE: Poškodenie spôsobené nevhodným sieťovým napätím. Zariadenie sa môže poškodiť v dôsledku pripojenia k nevhodnému sieťovému napätiu.

- Uistite sa, že sieťové napätie a frekvencia siete napájacieho zdroja zodpovedajú údajom na typovom štítku na mokrý/ suchý vysávač.

Bezpečnostné pokyny pre prevádzku

Vysávanie kvapalín



VAROVANIE: Nevysávajte horľavé kvapaliny.

- Pred vysávaním kvapalín vyberte filtračné vrecko. Skontrolujte, či plavák alebo funkcia obmedzenia hladiny vody fungujú správne.
- Použite špeciálny filtračný prvok alebo filtračnú mriežku.
- Ak z výrobku vyteká pena, ihneď zastavte prevádzku a vyprázdnite nádrž.

Nebezpečné materiály



VÝSTRAHA: Nevysávajte nebezpečné materiály. Môže to spôsobiť poranenie.

- Nevysávajúce nasledujúce materiály:
 - nebezpečný prach,
 - horúce materiály, napríklad horiace cigarety a horúci popol,
 - horľavé, výbušné, agresívne kvapaliny, napríklad benzín, rozpúšťadlá, kyseliny a zásady,
 - horľavý, výbušný prach, napríklad prach z horčička alebo hlinika.

plynu alebo výparov, ktoré môžu spôsobiť horľavé atmosféry.

Náhradné diely a príslušenstvo



VAROVANIE: Na zaistenie bezpečnosti výrobku používajte len náhradné diely a príslušenstvo.

- Používajte iba náhradné diely a príslušenstvo od spoločnosti Husqvarna.
- Používajte iba kefy dodávané s výrobkom alebo uvedené v návode na obsluhu.

Výbušná alebo horľavá atmosféra



VAROVANIE: Nepoužívajte výrobok vo výbušnej alebo horľavej atmosfére. Nepoužívajte výrobok v blízkosti kvapalín,

Funkcia fúkača



VÝSTRAHA: Prach môže spôsobiť zdravotné problémy. Výrobok má funkciu fúkača. Nevyfukujte vychádzajúci vzduch náhodne v uzavretých priestoroch. Funkciu fúkača používajte iba s čistou hadicou.

Bezpečnostné pokyny pre údržbu



VÝSTRAHA: Skôr než začnete s údržbou výrobku, prečítajte si všetky nasledujúce výstrahy.

Vyprázdenie nádoby na nečistoty



VAROVANIE: Povysávaný materiál môže byť nebezpečný pre životné prostredie. Nečistoty zlikvidujte v súlade s právnymi predpismi.

Montáž



VÝSTRAHA: Pred montážou výrobku si prečítajte kapitolu o bezpečnosti a uistite sa, že rozumiete informáciám, ktoré sa v nej uvádzajú.

Pred inštaláciou postupujte takto

1. Odomknite spony a zdvihnite jednotku motora. (Obr. 8)
2. Vyberte príslušenstvo z nádoby na nečistoty. (Obr. 9)
3. Skontrolujte, či sú prítomné všetky diely. Pozrite si prehľad výrobku. Potrebné nástroje: Skrutkovač.

Inštalácia filtračného vrečka

1. Prepnite hlavný vypínač do polohy „0“.
2. Odpojte výrobok. (Obr. 10)
3. Odomknite spony a zdvihnite jednotku motora. (Obr. 8)
4. Vložte filtračné vrečko do nádoby na nečistoty.
5. Pripojte kartónovú časť filtračného vrečka na vstup vysávača. Skontrolujte, či gumová membrána prechádza okolo vystupujúcej časti vstupu vysávača. (Obr. 11)
6. Nasadte jednotku motora na nádobu na nečistoty a uzamknite spony. (Obr. 12)

Upevnenie príslušenstva

1. Príslušenstvo umiestnite na svoje miesto pre ľahký prístup. (Obr. 13)
2. Pripevnite skrinku s nástrojmi k zadnej strane výrobku. (Obr. 14)
3. Pripevnite držiak na kábel a hadicu k zadnej strane výrobku. (Obr. 15)

Inštalácia fúkacej hadice

1. Vložte hadicu do vstupu vysávača na prednej strane výrobku. (Obr. 16)
2. Pripojte zariadenie do elektrickej siete.
3. Prepnite hlavný vypínač do polohy „I“. (Obr. 17)
4. Nastavte sací výkon na rukoväti alebo pomocou hlavného vypínača*. *Len na niektorých modeloch. (Obr. 18)

Inštalácia držiaka trubice

1. Presuňte držiak trubice vertikálne na predĺžovacej trubici.
2. Pomocou skrutkovača nainštalujte držiak trubice na správnu výšku predĺžovacej trubice. (Obr. 19)
3. Uložte predĺžovaciu trubicu do držiakov na zadnej strane výrobku. (Obr. 20)

Prevádzka

Úvod



VÝSTRAHA: Pred používaním výrobku si musíte prečítať kapitolu o bezpečnosti a porozumieť informáciám, ktoré sa v nej uvádzajú.

Zapnutie výrobku

Pred použitím výrobku sa uistite, že sa frekvencia a napätie uvedené na typovom štítku zhodujú s napätím v sieti.

1. Uistite sa, že je hlavný vypínač v polohe „0“. (Obr. 10)
2. Skontrolujte, či sú vo výrobku vložené správne filtre.
3. Vložte hadicu do vstupu vysávača na prednej strane výrobku. Zatačte hadicu dopredu, až kým nebude pevne zasunutá na mieste vo vstupe vysávača. (Obr. 16)
4. Pripojte dve predlžovacie trubice s rukoväťou. Skúste otočiť predlžovacie trubice a uistite sa, že sú v správnej polohe.
5. Pripojte hubicu k predlžovacej trubici. Vyberte hubicu podľa typu materiálu, ktorý sa má vysávať.
6. Pripojte zástrčku do elektrickej siete.
7. Prepnutím hlavného vypínača do polohy „I“ spustíte výrobok. (Obr. 17)

Vypnutie výrobku

1. Výrobok zastavíte prepnutím hlavného vypínača do polohy „0“.
2. Odpojte zástrčku od elektrickej siete. (Obr. 10)

Používanie funkcie fúkača

1. Vložte hadicu do otvoru na zadnej strane výrobku. (Obr. 21)
2. Pripojte zástrčku do elektrickej siete.
3. Prepnite hlavný vypínač do polohy „I“. (Obr. 17)
4. Nastavte výkon fúkania na rukoväti alebo pomocou hlavného vypínača*. *Len na niektorých modeloch. (Obr. 22)

Používanie zásuvky na elektrický nástroj*

*Len na niektorých modeloch.



VAROVANIE: Dodržiavajte prevádzkové pokyny a bezpečnostné

pokyny pre zariadenia pripájané k zásuvke na elektrický nástroj.

Poznámka: Maximálny príkon pripojeného nástroja je uvedený v časti *Technické údaje na strane 297*.

1. Skontrolujte, či je vypínač na elektrickom zariadení v polohe „0“. (Obr. 23)
2. Odpojte rukoväť od hadice. Stlačte západky na konci hadice (A) a vyťahnite rukoväť (B). (Obr. 24)
3. Pripojte adaptér elektrického nástroja. (Obr. 25)
4. Nastavte sací výkon na adaptéri elektrického nástroja alebo pomocou hlavného vypínača*. *Len na niektorých modeloch. (Obr. 26)
5. Pripojte hadicu k vstupu vysávača na výrobku a k elektrickému nástroju. Pripojte kábel elektrického nástroja k elektrickému pripojeniu na výrobku. (Obr. 27)
6. Skontrolujte, či je vypínač na elektrickom zariadení v polohe „0“. (Obr. 23)
7. Otočte hlavný vypínač na výrobku do polohy pre elektrický nástroj (A).
8. Prepnite spínač elektrického nástroja do polohy „I“ (B). (Obr. 28)

Poznámka: Výrobok môžete spustiť a zastaviť hlavným vypínačom na výrobku (A) alebo na elektrickom nástroji (B).

Vysávanie kvapalín

Poznámka: Výrobok obsahuje systém s plavákom, ktorý zastaví prúdenie vzduchu cez výrobok pri dosiahnutí maximálnej hladiny kvapaliny.



VAROVANIE: Nevysávajte kvapaliny bez prítomnosti systému s plavákom.

1. Uistite sa, že sú filter a napínací prvok filtra (systém s plavákom) na svojom mieste, pozrite si časť *Výmena filtra na strane 296*. Ak je nainštalované filtračné vrecko, vyberte ho.
2. Na vysávanie kvapalín použite dýzu na podlahy.
3. Pri maximálnej hladine kvapaliny je počuť znateľnú zmenu zvuku motora. Sací výkon sa zníži.
4. Zastavte výrobok. Pozrite si časť *Vypnutie výrobku na strane 294*.
5. Vyprázdnite nádobu na nečistoty. Pozrite si časť *Vyprázdnenie nádoby na nečistoty po vysávaní kvapalín na strane 295*.

Úvod



VÝSTRAHA: Pred vykonávaním akékoľvek údržby si musíte prečítať kapitolu o bezpečnosti a porozumieť jej.

Údržba a opravné práce na výrobku si vyžadujú špeciálne školenie. Zaručujeme dostupnosť profesionálnych opravných prác a údržby. Ak vás predajca nie je servisný zástupca, kontaktujte predajcu, ktorý vám poskytne informácie o najbližšom servisnom zástupcovi.

Pravidelný servis a kontrola

- Pravidelný servis a kontrolu výrobku musí vykonávať kvalifikovaný personál pri dodržaní súvisiacich zákonov a predpisov.
- Je potrebné často vykonávať elektrické testy kontinuity uzemnenia, izolačného odporu a stavu ohybného kábla.
- Ak sa zistí chyba, výrobok sa **musí** prestať používať a musí ho opraviť schválený servisný technik.

Údržba výrobkov určených pre prach triedy L

Pre výrobky určené pre prach triedy L, WDC 325L, platia nasledujúce opatrenia.

- Počas údržby a čistenia používajte výrobok s ohľadom na bezpečnosť personálu údržby alebo iných osôb.
- V oblasti údržby:
 - Používajte nútené prúdenie filtrovaného vzduchu.
 - Používajte ochranný odev.
 - Vyčistite oblasť údržby, aby sa žiadny škodlivý materiál nedostal do iných oblastí.
- Ak sa diely nedajú počas údržby a opravy uspokojivo vyčistiť:
 - Vložte tieto diely do správne utesnených vreciek.
 - Diely zlikvidujte podľa právnych predpisov.

Vyprázdnenie nádoby na nečistoty po vysávaní kvapalín

1. Zastavte výrobok. Pozrite si časť *Vypnutie výrobku na strane 294*.
2. Vytiahnutím hadice odpojte hadicu od výstupu vysávača.
3. Odomknite spony a zdvihnite jednotku motora. (Obr. 8)

4. Nádobu na nečistoty vyprázdňte tak, že ju nakloníte dozadu a vylejete kvapalinu do podlahového odtoku. * Rukoväť sa nachádza len na niektorých modeloch. (Obr. 29)



VAROVANIE: Po vysávaní kvapaliny vždy vyprázdňte a vyčistite nádobu na nečistoty a systém s plavákom. Kvapalinu nevysávajte bez toho, aby bol vo výrobku nainštalovaný systém s plavákom a filter.

5. Nasadte jednotku motora na nádobu na nečistoty a uzamknite spony. (Obr. 12)

Vyprázdnenie nádoby na nečistoty po vysávaní suchého materiálu

1. Zastavte výrobok. Pozrite si časť *Vypnutie výrobku na strane 294*.
2. Odomknite spony a zdvihnite jednotku motora. (Obr. 8)
3. Skontrolujte, či je filtračné vrecko plné.
4. Ak je filtračné vrecko plné, vyberte ho.



VAROVANIE: Nevysávajte suchý materiál bez správne nainštalovaného filtra a filtračného vrecka.

5. Nainštalujte nové filtračné vrecko, pozrite si časť *Inštalácia filtračného vrecka na strane 293*.

Poznámka: Sací výkon výrobku závisí od rozmeru a kvality filtra a filtračného vrecka. Používajte len filter a filtračné vrecká Husqvarna.

6. Nasadte jednotku motora na nádobu na nečistoty a uzamknite spony. (Obr. 12)

Čistenie filtra, systém čistenia filtra

Výrobok obsahuje poloautomatický systém čistenia filtra. Systém čistenia filtra používajte pravidelne, no najneskôr vtedy, keď výkon vysávania už nie je dostatočný. Pravidelné používanie systému čistenia filtra predlžuje životnosť filtra.

1. Vyčistite filter, keď sací výkon už nie je dostatočný. (Obr. 30)
2. Vložte hadicu do vstupu vysávača na prednej strane výrobku. (Obr. 16)
3. Pripojte zariadenie do elektrickej siete.
4. Prepnete hlavný vypínač do polohy „I“. (Obr. 17)
5. Priložte rukoväť na dlaň (A) a vyskúšajte sací výkon na vašej ruke.

- 3 krát päsťou udríte do tlačidla čistenia filtra (B). (Obr. 31)
- Ak sací výkon nie je dostatočný, vyberte filter. Pozrite si časť *Výmena filtra na strane 296*.
- Na vyčistenie filter vytraste, vyčistite kefou alebo umyte.
- Nechajte filter vyschnúť.
- Nainštalujte filter. Pozrite si časť *Inštalácia filtračného vrecka na strane 293*.

Čistenie externých povrchov výrobu

- Zastavte výrobok. Pozrite si časť *Vypnutie výrobu na strane 294*.
- Výrobok vyčistite suchou handričkou a malým množstvom leštidla v spreji.

Výmena filtra

Výrobok je určený pre nepretržitú náročnú prevádzku. Prachový filter je potrebné meniť v závislosti od počtu prevádzkových hodín.

- Zastavte výrobok. Pozrite si časť *Vypnutie výrobu na strane 294*.
- Odomknite spony a zdvihnite jednotku motora. (Obr. 8)
- Otočte napínač filtra (A) proti smeru hodinových ručičiek a vytiahnite ho. Vytiahnite filter (B). (Obr. 32)

- Nainštalujte nový filter (A). Nainštalujte napínač filtra (B) a otočte ho v smere hodinových ručičiek. (Obr. 33)
- Uistite sa, že filter a napínač filtra sú na svojom mieste. (Obr. 34)
- Nasaďte jednotku motora na nádobu na nečistoty a uzamknite spony. (Obr. 12)

Výmena filtračného vrecka

- Zastavte výrobok. Pozrite si časť *Vypnutie výrobu na strane 294*.
- Odomknite spony a zdvihnite jednotku motora. (Obr. 8)
- Skontrolujte, či je filtračné vrecko plné. Ak je filtračné vrecko plné, vyberte ho.
- Vytiahnite kartónovú časť starého filtračného vrecka zo vstupu vysávača.
- Vyberte filtračné vrecko (A) a zlikvidujte ho.
- Vložte nové filtračné vrecko do nádoby na nečistoty (B).
- Pripojte kartónovú časť filtračného vrecka na vstup vysávača (C). Skontrolujte, či gumová membrána prechádza okolo rozšírenej časti vstupu vysávača. (Obr. 35)
- Nasaďte jednotku motora na nádobu na nečistoty a uzamknite spony. (Obr. 12)

Preprava, skladovanie a likvidácia

Preprava a uskladnenie

- Po použití:
 - Keď sa výrobok nepoužíva, odpojte zástrčku od siete.
 - Naviňte kábel, pričom začnite od výrobu.
 - Pomocou držiaka kábla pripevnite kábel na jednotku motora.
 - Naviňte hadicu.
 - Pomocou držiaka hadice pripevnite hadicu na jednotku motora.
- Preprava:
 - Zatvorte všetky spony na jednotke motora.
 - Ak sa v nádobe na nečistoty nachádza kvapalina, výrobok nenakláňajte.
 - Na zdvíhanie výrobu nepoužívajte žeriavový hák.
- Skladovanie:
 - Výrobok skladujte na suchom mieste, ktoré je chránené pred mrazom.

- Odpojte zástrčku od elektrickej siete.
- Prestříhnite napájací kábel.
- Výrobok nelikvidujte s bežným komunálnym odpadom.

Likvidácia (v súlade so smernicou 2012/19/EÚ):

Produkt sa nesmie vyhadzovať do bežného domového odpadu. Produkt sa musí zlikvidovať v súlade s platnými predpismi na ochranu životného prostredia.

Produkt zlikvidujte v miestnom stredisku zberu a recyklácie odpadu alebo jeho prostredníctvom.

(Obr. 5)

Recyklácia výrobu

Ak chcete, aby bol výrobok nepoužiteľný, postupujte nasledovne.

Technické údaje

Technické údaje

	EU/CH		GB		AU/NZ		US
	WDC 220	WDC 325L	WDC 220	WDC 325L	WDC 220	WDC 325L	WDC 225
Napätie, V	220 – 240	220 – 240	220 – 240	220 – 240	220 – 240	220 – 240	110 – 120
Výkon P_{iec} , W	1 000	1 200	1 000	1 000	1 000	1 000	1 000
Pripojené zaťaženie pre zásuvku na zariadenia, W	–	2 400 /1 100	–	1 900	–	1 300	–
Frekvencia, Hz	50/60				50 – 60		50/60
Istenie, A	10	16/10	13	13	10	10	15
Kategória ochrany (vlhkosť, prach)	IPX4						
Trieda ochrany (elektrickej)	II (Obr. 4)	I	II (Obr. 4)	I	II (Obr. 4)	I	II (Obr. 4)
Prietok vzduchu, l/min.	3 600	3 700	3 600	3 600	3 600	3 600	3 200
Prietok vzduchu, cfm	127	130	127	127	127	127	113
Podtlak, mbar	210	235	210	210	210	210	210
Hladina akustického tlaku vo vzdialenosti 1 m, EN 60704-1, dB(A) +/- 2	72						
Vibrácie, ISO 5349, $m/s^2 +/- 1$	< 1,5						
Hmotnosť, kg	7,5	8,5	7,5	8,5	7,5	8,5	7,5
Šírka, mm	377	376	377	376	377	376	377
Hĺbka, mm	385	392	385	392	385	392	392
Výška, mm	506	533	506	530	506	530	550

ES vyhlásenie o zhode

ES vyhlásenie o zhode

Husqvarna AB, SE-561 82 Huskvarna, Švédsko, tel.:
+46-36-146500, vyhlasuje, že **vysávač Husqvarna WDC
220, 3325L** je v súlade s požiadavkami SMERNICE
RADY:

- zo 17. mája 2006, „Smernica o strojoch“
2006/42/EÚ,
- z 26. februára 2014 „vzťahujúcej sa na
elektromagnetickú kompatibilitu“, **2014/30/EÚ,**

Boli uplatnené nasledujúce normy:

**EN 60335-1:2012+A11:2014, EN 60335-2-69:2012, EN
55014-1:2006+A1:2009+A2:2011, EN 55014-2:2015,
EN 61000-3-2:2014, EN 61000-3-3:2013**

Ak nie je uvedené inak, vyššie uvedené normy sú
najnovšie vydané verzie.

Huskvarna, 2018-08-01



Cornelia Ekbladh, riaditeľka pre riadenie produktov

VSEBINA

Uvod.....	299	Vzdrževanje.....	306
Varnost.....	300	Transport skladiščenje in odstranitev.....	307
Montaža.....	304	Tehnični podatki.....	308
Delovanje.....	305	Izjava ES o skladnosti.....	309

Uvod

Opis izdelka

Izdelek je večnamenski sesalnik za industrijsko rabo.

Namen uporabe

Izdelek uporabljajte za čiščenje suhega, nevnjetljivega prahu in tekočin.

Pregled izdelka WDC 220, WDC 225

(Sl. 1)

1. Glavno stikalo
2. Sistem filtrskega čiščenja
3. Sesalna odprtina
4. Kolesa
5. Držalo kabla in držalo cevi
6. Filtrirna vrečka

Pregled izdelka WDC 325L

(Sl. 2)

1. Glavno stikalo
2. Sistem filtrskega čiščenja
3. Sesalna odprtina
4. Kolesa
5. Držalo kabla in držalo cevi
6. Filtrirna vrečka
7. Sesalni nastavek
8. Ročaj
9. Široki talni sesalni nastavek
10. Sesalni nastavek za reže
11. Navodila za uporabo
12. Podaljšek cevi
13. Cev
14. Adapter za električno orodje
15. Električni priključek za orodje
16. Škatla za orodje

Znaki na izdelku

(Sl. 3) Pred začetkom uporabe izdelka natančno preberite navodila za uporabo in se prepričajte, da ste jih razumeli.

(Sl. 4) Enota je opremljena z dvojno izolacijo.

Preberite in spoštujte varnostne napotke in navodila za uporabo.

Na izdelku izvajajte le vzdrževalna dela in popravila, ki jih določi proizvajalec.

Proizvajalec ne prevzema odgovornosti za poškodbe, ki so posledica napačne uporabe, neustreznega vzdrževanja ali neustreznih popravil.

7. Sesalni nastavek
8. Ročaj
9. Široki talni sesalni nastavek
10. Sesalni nastavek za reže
11. Navodila za uporabo
12. Podaljšek cevi
13. Cev

(Sl. 5) Enote ne zavrzite med gospodinjске odpadke. Upoštevajte lokalne predpise.

(Sl. 6) Izdelek je skladen z veljavnimi direktivami ES.

Opomba: Ostali znaki in oznake na izdelku se nanašajo na zahteve za certifikacijo, ki veljajo za druga komercialna območja.

Razred prašnih delcev L

(Sl. 7)

Upoštevajte varnostne predpise in povezane ukrepe za prah razreda L.

Odgovornost proizvajalca

Kot je navedeno v zakonodaji, ki ureja odgovornost proizvajalca, ne prevzemamo nikakršne odgovornosti za poškodbe, ki bi jih naši izdelki povzročili v naslednjih primerih:

- Izdelek ni pravilno popravljen.
- Izdelek je popravljen z deli, ki jih ni izdelal ali odobril proizvajalec.
- Na izdelku je nameščena dodatna oprema, ki je ni izdelal ali odobril proizvajalec.

- Izdelek ni bil popravljen v pooblaščenem servisnem centru ali pri pooblaščenem organu.

Varnost

Varnostne definicije

Opozorila, svarila in opombe opozarjajo na posebej pomembne dele priročnika.



OPOZORILO: Se uporabi, če obstaja nevarnost telesne poškodbe ali smrti uporabnika ali opazovalcev ob neupoštevanju navodil v tem priročniku.



POZOR: Se uporabi, če obstaja nevarnost poškodbe izdelka, drugih materialov ali okolice ob neupoštevanju navodil v tem priročniku.

Opomba: Se uporabi za podajanje podrobnejših informacij, potrebnih v dani situaciji.

Splošna varnostna navodila



OPOZORILO: Pred uporabo izdelka preberite navodila v povezavi z opozorili v nadaljevanju.

- Če je izdelek in/ali dodatna oprema poškodovana, jo je treba popraviti v pooblaščenem servisnem centru. Ne uporabljajte poškodovanega izdelka.
- Izdelka ne smejo uporabljati otroci. Izdelka ne smejo uporabljati ali vzdrževati osebe, ki ne poznajo navodil za uporabo.
- Izdelek je treba uporabljati le pod nadzorom.
- Če izdelek uporabljajo osebe z zmanjšanimi fizičnimi ali intelektualnimi sposobnostmi, jih morate nenehno nadzorovati.
- Otroci morajo biti pod nadzorom, da se s strojem ne igrajo.
- Ne izvajajte nevarnih posegov.
- Izdelka ne uporabljajte brez filtrov v pravih položajih.
- Ustavite izdelek in odklopite glavni vtič v naslednjih primerih:
 - Pred čiščenjem in vzdrževanjem.
 - Pred popravilom.
 - Če je v bližini pena ali tekočina.
- Ko je izdelek priklopljen, se ne oddaljajte od izdelka. Odklopite glavni vtič, ko izdelka ne uporabljate in pred vzdrževanjem.
- Izdelka ne uporabljajte, če sta kabel ali vtič poškodovana. Pri odklopu, primite za vtič, ne kabel. Vtiča ali izdelka ne držite samo z mokrimi rokami. Pred odklopom ponastavite vse krmilnike.
- Izdelka ne vlecite za kabel. Kabla ne uporabljajte kot ročaj. Kabla ne priščipnite z vrati in ga ne vlecite

okrog ostrih vogalov ali robov. Izdelka ne vlecite za kabel. Kabel ne sme priti v stik z vročimi površinami.

- Z lasmi, ohlapnimi oblačili, prsti in deli telesa ne segajte v odprtine ali območje gibljivih delov. V reže izdelka ne predmetov in izdelka ne uporabljajte z zamašenimi odprtinami. V režah izdelka ne sme biti prahu, vlaken, las in vsega, kar bi lahko negativno vplivalo na pretok zraka.
 - Ne sesajte nevarnega prahu z izdelkom: WDC 220, WDC 225.
 - Ne sesajte gorljivih materialov ali gorljivih tekočin, na primer bencina. Ne uporabljajte izdelkov v območjih s takimi snovmi.
 - Ne sesajte gorečih predmetov, ali predmetov, iz katerih se kadi, na primer cigaretnih ogorkov, vžigalic ali vročega pepela.
 - Bodite previdni pri čiščenju stopnic.
 - Če iz izdelka izteka pena ali tekočina, nemudoma izklopite izdelek.
 - Izdelka ne uporabljajte kot vodno črpalko.
 - Izdelek priklopite v pravilno ozemljeno električno vtičnico.
- Vtičnica in podaljšek morata biti opremljena z delujočim zaščitnim vodnikom (velja samo za izdelke brez dvojne izolacije).
- Delovno območje mora biti dobro prezračevano.
 - Izdelka ne uporabljajte kot lestev ali stopnico.
 - V primeru uporabe čistilnikov prahu mora stopnja izmenjave zraka ustrezati stopnji izpuha, ki ga sesalnik oddaja v okolico. Pred uporabo spoštujte nacionalne predpise.
 - Pred uporabo izdelkov za prašne delce razreda L WDC 325L je treba o tem obvestiti uporabnika in ga za to usposobiti:
 - Uporaba izdelka.
 - Nevarnosti vsesanih materialov.
 - Varna odstranitev vsesanega materiala.
 - Za izdelke za prašne delce razreda L WDC 325L velja naslednje:
 - Izdelek uporabljajte za čiščenje suhega, nevnjetljivega prahu in tekočin, nevarnih prašnih delcev po vrednosti OEL¹⁾ > 1mg/m³. Razred prašnih delcev L (IEC 60335-2-69).

Prašni delci tega razreda imajo vrednost OEL¹⁾ > 1mg/m³.

- Izdelki za prašne delce razreda L imajo homologiran filtrirni material. Najvišja stopnja prepustnosti 1 %. Za odstranitev ni posebnih zahtev.

Opomba: Ravnajte v skladu z lokalno zakonodajo. Ti lahko določajo starost.

Varnost izdelkov z dvojno izolacijo



OPOZORILO: Izdelek uporabljajte samo v skladu z napotki v teh navodilih in v skladu z navodili proizvajalca dodatne opreme.



OPOZORILO: Velja samo za ZK: Preberite ta pomembna obvestila. Ta navodila so pripravljena tako, da je poudarek na varnosti in učinkovitosti. Uporabnika mora biti usposobiti odobren inštruktor, hkrati pa tudi mora razumeti ta navodila za uporabo. Uporabnik mora poznati vse povezane predpise in zakonodajo, ki je v veljavi v času uporabe.



OPOZORILO: Pred priklopom izdelka: Omrežna napetost in frekvenca omrežja napajalnika se morata ujemanj s podatki na tipski ploščici mokrega/suhega čistilnika.



OPOZORILO: Izdelek je opremljen z dvojno izolacijo. Uporabljajte samo nadomestne dele Husqvarna. Glejte navodila za servisiranje izdelkov z dvojno izolacijo.



OPOZORILO: Izdelek je opremljen s posebnim kablom. Če je kabel poškodovan, ga je treba zamenjati s kablom enake vrste. Ta je na voljo v odobrenih servisnih centrih in prodajalcih, namestiti pa ga mora pooblaščen oseba.



OPOZORILO: Za servis izdelkov z dvojno izolacijo je potrebno dobro poznavanje sistema. Pri izdelkih z dvojno izolacijo, sta namesto ozemljitve na voljo dva sistema izolacije. Izdelek z dvema sistemoma izolacije tako ni opremljen z deli za ozemljitev, hkrati pa to tudi pomeni, da ozemljitve ni dovoljeno dodati. Servis lahko opravi samo pooblaščen servisno osebje. Nadomestni deli za izdelek z dvojno izolacijo morajo biti identični z deli, ki jih nadomeščajo. Izdelki z dvojno izolacijo so označeni z besedama "DOUBLE INSULATION" (Dvojna izolacija) ali "DOUBLE INSULATED" (Dvojno izolirano). Na izdelku je lahko naveden tudi znak.

Električna varnost

- Priporočeno je, da je izdelek povezan prek varnostnega odklopnika na diferenčni tok.
- Električne dele (vtičnice, vtiče in spoje) razporedite in podaljške položite tako, da ostane razred zaščite nespremenjen.
- Konektorji in spoji napajalnih kablov ter podaljškov morajo bit zatesnjeni pred vdorom vode.

Kabelski podaljšek

- Kot podaljšek lahko uporabite samo vod z razredom kakovosti, ki ga navede proizvajalec, ali višjim.
- Pred uporabo podaljška preverite najmanjši presek voda:

Dolžina kabla	Presek	
	< 16 A	< 25 A
< 20 m	1,5 mm ²	2,5 mm ²
20-50 m	2,5 mm ²	4,0 mm ²



OPOZORILO: V zgornjem delu sesalnika so deli pod napetostjo. Ob stiku z deli pod napetostjo lahko pride do resnih ali celo smrtnih poškodb.

- Zgornjega dela sesalnika ni dovoljeno poškopiti z vodo.



OPOZORILO: Lahko pride do električnega udara zaradi pokvarjenega voda. Ob dotiku s poškodovanim kablom lahko pride do resnih ali celo smrtnih poškodb.

- Ne poškodujte glavnega električnega kabla (ne povozite, vlecite ali stiskajte ga).
- Redno preverjajte morebitno poškodovanost napajalnega kabla ali znake staranja.
- Če je kabel poškodovan, ga mora zamenjati pooblaščen Husqvarna prodajalec ali podobno usposobljena oseba. S tem se izognete morebitnim nevarnostim.
- Napajalni kabel ne sme biti v nobenem primeru ovit okrog prstov ali katerega koli dela telesa uporabnika.



POZOR: Priključek naprave (samo pri nekaterih modelih) je zasnovan samo za namene, določene v navodilih za uporabo. Ob priklopu drugačnih naprav lahko pride do poškodb.

- Pred priklopom naprave obvezno izklopite izdelek in napravo, ki jo želite priklopiti.
- Preberite navodila za uporabo naprave za priklop in upoštevajte navedena varnostna obvestila.



POZOR: Poškodbe zaradi neprimerne omrežne napetosti. Naprava se lahko zaradi priklopa na neprimerno omrežno napetost poškoduje.

- Omrežna napetost in frekvenca omrežja napajalnika se morata ujemati s podatki na tipski ploščici mokrega/suhega čistilnika.

Varnostna navodila za uporabo

Čiščenje tekočin



POZOR: Ne čistite gorljivih tekočin.

- Pred začetkom čiščenja tekočin odstranite filtrirno vrečko. Preverite ali plovec za omejitev nivoja vode deluje pravilno.
- Uporabite poseben filtrirni vložek ali filtrirno sito.
- Če iz izdelka izteka pena, nemudoma prenehajte z delom in izpraznite posodo.

Nevarni materiali



OPOZORILO: Ne čistite nevarnih materialov. To lahko povzroči telesne poškodbe.

- Ne čistite naslednjih materialov:
 - Nevaren prah.
 - Vroči materiali, na primer cigaretni ogorki in vroč pepel.

- Gorljive, eksplozivne in agresivne tekočine, na primer bencin, topila, kisline in alkale.
- Gorljiv in eksploziven prah, na primer magnezijev ali aluminijev prah.

ne uporabljajte v bližini tekočin, plinov ali hlapov, ki sestavljajo gorljivo atmosfero.

Nadomestni deli in dodatna oprema



POZOR: Za zagotavljanje varnosti izdelka uporabljajte samo nadomestne dele in dodatno opremo.

- Uporabljajte samo nadomestne dele in dodatno opremo Husqvarna.
- Uporabljajte samo ščetke, dobavljene z izdelkom ali navedene v navodilih za uporabo.

Eksplozivna ali gorljiva atmosfera



POZOR: Izdelka ne uporabljajte v eksplozivni ali gorljivi atmosferi. Izdelka



OPOZORILO: Prah lahko povzroča zdravstvene težave, zato je izdelek opremljen s funkcijo izpihovanja. Izhodnega zraka ne izpihujte naključno v zaprtih prostorih. Funkcijo izpihovanja uporabljajte le s čisto cevjo.

Varnostna navodila za vzdrževanje



OPOZORILO: Pred vzdrževanjem izdelka preberite vsa opozorilna navodila.

Praznjenje posode za smeti



POZOR: Nabran material je lahko škodljiv za okolje. Umazanijo zavrzite v skladu s pravnimi predpisi.

Montaža



OPOZORILO: Preden začnete sestavljati izdelek, morate prebrati in razumeti poglavje o varnosti.

Opravila pred namestitvijo

1. Odprite zapahe in dvignite motorno enoto. (Sl. 8)
2. Odstranite dodatno opremo s posode za smeti. (Sl. 9)
3. Vsi deli morajo biti nameščeni. Glejte pregled izdelka. Potrebovana orodja: Izvijač.

Namestitev filtrirne vrečke

1. Glavno stikalo prekopite v položaj "0".
2. Odklopite izdelek. (Sl. 10)
3. Odprite zapahe in dvignite motorno enoto. (Sl. 8)
4. Filtrirno vrečko vstavite v posodo za smeti.
5. Kartonski del filtrirne vrečke potisnite na vhodno odprtino. Gumijasta membrana mora segati prek izbokline vhodne odprtine. (Sl. 11)
6. Motorno enoto namestite na posodo za smeti in zaklenite zapahe. (Sl. 12)

Namestitev dodatne opreme

1. Dodatno opremo namestite v ustrezne položaje za enostaven dostop. (Sl. 13)
2. Škatlo za orodje namestite na hrbtno stran izdelka. (Sl. 14)
3. Držalo za kabel in cev namestite na hrbtno stran izdelka. (Sl. 15)

Namestitev cevi

1. Cev vstavite v vhodno odprtino na sprednji strani izdelka. (Sl. 16)
2. Napravo priklopite na električno omrežje.
3. Glavno stikalo prekopite v položaj "I". (Sl. 17)
4. Moč vsesavanja nastavite na ročaju ali z glavnim stikalom*. *Samo pri nekaterih modelih. (Sl. 18)

Namestitev držala toge cevi

1. Držalo toge cevi navpično nastavite na togo cev.
2. Držalo toge cevi z izvijačem pritrdite na cev na primerni višini. (Sl. 19)
3. Togo cev namestite v držalo na hrbtni strani izdelka. (Sl. 20)

Delovanje

Uvod



OPOZORILO: Pred uporabo izdelka morate prebrati in razumeti poglavje o varnosti.

Zagon izdelka

Pred uporabo izdelka se prepričajte, da sta frekvenca in napetost, navedeni na tipski ploščici, skladni z omrežno napetostjo.

1. Glavno stikalo mora biti v položaju "0". (Sl. 10)
2. Preverite, ali so v izdelku v ustreznih položajih nameščeni pravilni filtri.
3. Cev vstavite v vhodno odprtino na sprednji strani izdelka. Cev potisnite naprej, dokler ni čvrsto nameščena v vhodno odprtino. (Sl. 16)
4. Obe togi cevi namestite na ročaj. Togi cevi namestite s privijanjem in tako zagotovite pravilno nameščenost.
5. Na togo cev namestite sesalni nastavek. Šobo izberite glede na vrsto materiala, ki ga želite posesati.
6. Vtič priključite na električno omrežje.
7. Za zagon izdelka preključite glavno stikalo v položaj "I". (Sl. 17)

Izklop izdelka

1. Za izklop izdelka preključite glavno stikalo v položaj "0".
2. Odklopite vtič iz električnega omrežja. (Sl. 10)

Uporaba funkcije izpihovanja

1. Cev vstavite v odprtino na hrbtne strani izdelka. (Sl. 21)
2. Vtič priključite na električno omrežje.
3. Glavno stikalo preključite v položaj "I". (Sl. 17)
4. Moč izpihovanja nastavite na ročaju ali z glavnim stikalom*. *Samo pri nekaterih modelih. (Sl. 22)

Uporaba vtičnice za električno orodje*

*Samo pri nekaterih modelih.



POZOR: Upoštevajte navodila za uporabo in varnostne predpise za napravo, ki je priklopljena na vtičnico za električno opremo.

Opomba: Največja poraba energije priklopljenega orodja je navedena v poglavju *Tehnični podatki na strani 308*.

1. Stikalo na električnem orodju mora biti v položaju "0". (Sl. 23)
2. Odstranite ročaj s cevi. Pritisnite jezička (A) na koncu cevi in izvlecite ročaj (B). (Sl. 24)
3. Namestite nastavek za električno orodje. (Sl. 25)
4. Moč sesanja na nastavku za električno orodje nastavite z glavnim stikalom*. *Samo pri nekaterih modelih. (Sl. 26)
5. Cev vstavite v vhodno odprtino izdelka in v odprtino električnega orodja. Kabel električnega orodja priključite na električni priključek izdelka. (Sl. 27)
6. Stikalo na električnem orodju mora biti v položaju "0". (Sl. 23)
7. Glavno stikalo izdelka preključite v položaj za električno orodje (A).
8. Stikalo električnega orodja preključite v položaj "I" (B). (Sl. 28)

Opomba: Izdelek lahko tako vklopite in izklopite prek glavnega stikala izdelka (A) ali stikala električnega izdelka (B).

Čiščenje tekočin

Opomba: Izdelek je opremljen s plovcem, ki prekine pretok zraka skozi izdelek, ko je dosežen najvišji nivo tekočine.



POZOR: Čiščenje tekočin brez nameščenega sistema plovca ni dovoljeno.

1. Filter in navojni pokrovček filtra (sistem plovca) morata biti nameščena, glejte *Zamenjava filtra na strani 307*. Odstranite filtrirno vrečko, če je nameščena.
2. Za čiščenje tekočin široki talni sesalni nastavek.
3. Pri najvišjem nivoju vode je mogoče slišati bistveno spremembo zvoka motorja. Moč sesanja je zmanjšana.
4. Izklopite izdelek, glejte *Izklop izdelka na strani 305*.
5. Izpraznite posodo za smeti, glejte *Praznjenje posode za smeti po čiščenju tekočin na strani 306*.

Vzdrževanje

Uvod



OPOZORILO: Pred izvajanjem vzdrževalnih del morate prebrati in razumeti poglavje o varnosti.

Za servisiranje in popravila na izdelku posebno usposabljanje ni potrebno. Zagotavljamo, da vam bodo na voljo strokovna popravila in servisiranje. Če vaš prodajalec ni pooblaščen serviser, ga povprašajte, kje je naslednja najbližja pooblaščen servisna delavnica.

Redno servisiranje in pregled

- Redno servisiranje in pregledovanje izdelka lahko izvaja le usposobljeno osebe v skladu z veljavno zakonodajo in predpisi.
- Redno je treba izvajati električno preverjanje neprekinjenosti ozemljitve, izolacijske upornosti in stanja kabela.
- Če odkrijete napako, je **treba** izdelek umakniti iz uporabe, pooblaščen serviser pa mora opraviti popravilo.

Vzdrževanje izdelkov za prašne delce razreda L

Za izdelke za prašne delce razreda L WDC 325L veja naslednje.

- Med vzdrževanjem in čiščenjem mora vzdrževalno osebo ali drugi z izdelkom ravnati previdno.
- V območju vzdrževanja:
 - Obvezno uporabljajte prečiščen zrak.
 - Uporabljajte zaščitna oblačila.
 - Območje vzdrževanja očistite, tako da so škodljivi delci odvajani v druga območja.
- Če delov ni mogoče zadovoljivo očistiti med vzdrževalnimi deli in popravili:
 - Delce shranite v pravilno zatesnjene vrečke.
 - Delce zavrzite v skladu z veljavnimi zakonskimi določbami.

Praznjenje posode za smeti po čiščenju tekočin

1. Izklopite izdelek, glejte *Izklop izdelka na strani 305*.
2. Cev odstranite iz vhodne odprtine, tako da jo izvlečete.
3. Odprite zapahe in dvignite motorno enoto. (Sl. 8)
4. Izpraznite posodo za smeti tako, da jo nagnete nazaj in tekočine izlijete v odtočni jašek. *Ročaj je samo pri nekaterih modelih. (Sl. 29)



POZOR: Po sesanju tekočin obvezno izpraznite in očistite posodo za smeti ter sistem plovca. Tekočin ne sesajte brez nameščenega sistema plovca in filtra.

5. Motorno enoto namestite na posodo za smeti in zaklenite zapahe. (Sl. 12)

Praznjenje posode za smeti po suhem sesanju

1. Izklopite izdelek, glejte *Izklop izdelka na strani 305*.
2. Odprite zapahe in dvignite motorno enoto. (Sl. 8)
3. Preverite ali je filtrirna vrečka polna.
4. Odstranite filtrirno vrečko, če je polna.



POZOR: Ne sesajte suhega materiala brez nameščenega filtra ali filtrirne vrečke.

5. Namestite novo filtrirno vrečko, glejte *Namestitev filtrirne vrečke na strani 304*.

Opomba: Sesalna moč izdelka je odvisna od velikosti in kakovosti filtra in filtrirne vrečke. Uporabljajte smo filtre in filtrirne vrečke Husqvarna.

6. Motorno enoto namestite na posodo za smeti in zaklenite zapahe. (Sl. 12)

Čiščenje filtra in sistema za čiščenje filtra

Izdelek je opremljen s polavtomatskim sistemom čiščenja filtra. Redno uporabljajte sistem čiščenja filtra, najkasneje, ko moč sesanja ne zadostuje več. Redna uporaba sistema čiščenja filtra podaljšuje življenjsko dobo filtra.

1. Ko moč sesanja ni več zadostna, očistite filter. (Sl. 30)
2. Cev vstavite v vhodno odprtino na sprednji strani izdelka. (Sl. 16)
3. Napravo priklopite na električno omrežje.
4. Glavno stikalo preklopite v položaj "I". (Sl. 17)
5. Ročaj pritisnite ob roko (A) in tako zaprite sesalni vod.
6. 3-krat s pestjo udarite na gumb za čiščenje filtra (B). (Sl. 31)
7. Če moč sesanja ni več zadostna, odstranite filter, glejte *Zamenjava filtra na strani 307*.
8. Filter očistite tako, da ga pretrese, skrtajte ali izperete.

- Počakajte, da se posuši.
- Namestite filter, glejte *Namestitev filtrirne vrečke na strani 304*.

Kako čistiti zunanost izdelka

- Izklopite izdelek, glejte *Izklop izdelka na strani 305*.
- Izdelek očistite s suho krpo in malo polirnega sredstva v razpršilu.

Zamenjava filtra

Izdelek je zasnovan za neprekinjeno delovanje pod večjimi obremenitvami. Filter za prah je treba menjati glede na število delovnih ur.

- Izklopite izdelek, glejte *Izklop izdelka na strani 305*.
- Odpnite zapahe in dvignite motorno enoto. (Sl. 8)
- Navojni pokrovček filtra (A) obrnite v nasprotni smeri vrtenja urinih kazalcev in ga izvlecite. Izvlecite filter (B). (Sl. 32)
- Namestite nov filter (A). Namestite navojni pokrovček filtra (B) in ga obrnite v smeri vrtenja urinih kazalcev. (Sl. 33)

- Filter in navojni pokrovček filtra morata biti v ustreznem položaju. (Sl. 34)
- Motorno enoto namestite na posodo za smeti in zaklenite zapahe. (Sl. 12)

Zamenjava filtrirne vrečke

- Izklopite izdelek, glejte *Izklop izdelka na strani 305*.
- Odpnite zapahe in dvignite motorno enoto. (Sl. 8)
- Preverite ali je filtrirna vrečka polna. Odstranite filtrirno vrečko, če je polna.
- Kartonski pokrov stare filtrirne vrečke povlecite z vhodne odprtine.
- Dvignite filtrirno vrečko (A) in jo odvrzite v smeti.
- Novo filtrirno vrečko vstavite v posodo za smeti (B).
- Kartonski del filtrirne vrečke potisnite na vhodno odprtino (C). Gumijasta membrana mora segati prek izbokline vhodne odprtine. (Sl. 35)
- Motorno enoto namestite na posodo za smeti in zaklenite zapahe. (Sl. 12)

Transport skladiščenje in odstranitev

Prevoz in skladiščenje

- Po uporabi:
 - Izdelek po uporabi odklopite z električnega omrežja.
 - Navijte kabel, tako da začnete pri izdelku.
 - Kabel vstavite v držalo za kabel na motorni enoti.
 - Navijte cev.
 - Cev vstavite v držalo za cev na motorni enoti.
- Prevoz:
 - Zaprte vse zapahe na motorni enoti.
 - Če je v posodi za smeti tekočina, izdelka ne dvigujte.
 - Izdelka ne dvigujte s kavljem in dvigalom.
- Skladiščenje:
 - Izdelek skladiščite na suhem mestu, kjer ne zmrzuje.

Recikliranje izdelka

Za odstranitev izdelka iz uporabe, sledite tem korakom.

- Odklopite vtič iz električnega omrežja.
- Odščitajte napajalni kabel.
- Izdelka ne zavržite med normalne gospodinske odpadke.

Odstranitev (v skladu z 2012/19/EU):

Izdelka ni dovoljeno zavreči skupaj z normalnimi hišnimi odpadki. Zavreči ga je treba v skladu z lokalnimi okoljskimi predpisi.

Izdelek je treba zavreči v ali prek občinskega zbirno-reciklažnega centra.

(Sl. 5)

Tehnični podatki

Tehnični podatki

	EU/CH		VB		AU/NZ		ZDA
	WDC 220	WDC 325L	WDC 220	WDC 325L	WDC 220	WDC 325L	WDC 225
Napetost, V	220-240	220-240	220-240	220-240	220-240	220-240	110-120
Moč P_{lec} , W	1000	1200	1000	1000	1000	1000	1000
Priključna moč vtičnice za napravo, W	-	2400 /1100	-	1900	-	1300	-
Frekvenca, Hz	50/60				50-60		50/60
Varovalka, A	10	16/10	13	13	10	10	15
Razred zaščite (vlaga, prah)	IPX4						
Razred zaščite (električne)	II (SI. 4)	I	II (SI. 4)	I	II (SI. 4)	I	II (SI. 4)
Pretok zraka, l/min	3600	3700	3600	3600	3600	3600	3200
Pretok zraka, cfm	127	130	127	127	127	127	113
Podtlak, mbar	210	235	210	210	210	210	210
Zvočni tlak na razdalji 1 m, EN 60704-1, dB(A) +/- 2	72						
Vibracije ISO 5349, m/s^2 +/- 1	< 1,5						
Teža, kg	7,5	8,5	7,5	8,5	7,5	8,5	7,5
Širina, mm	377	376	377	376	377	376	377
Globina, mm	385	392	385	392	385	392	392
Višina, mm	506	533	506	530	506	530	550

Izjava ES o skladnosti

Izjava ES o skladnosti

Husqvarna AB, SE-561 82 Huskvarna, Švedska, tel:
+46-36-146500, izjavlja, da je **sesalniki Husqvarna WDC**
220, 3325L skladen z zahtevami DIREKTIVE SVETA:

- z dne 17. maja 2006, ki se nanaša na stroje,
2006/42/ES
- z dne 26. februarja 2014 o elektromagnetni
združljivosti **2014/30/EU**

Uporabljeni so naslednji standardi:

EN 60335-1:2012+A11:2014, EN 60335-2-69:2012, EN
55014-1:2006+A1:2009+A2:2011, EN 55014-2:2015,
EN 61000-3-2:2014, EN 61000-3-3:2013

Če ni drugače navedeno, zgoraj navedeni standardi
veljajo kot najnovejše objavljene različice.

Huskvarna, 2018-08-01



Cornelia Ekbladh, Director Product Management

Sadržaj

Uvod.....	310	Održavanje.....	317
Bezbednost.....	311	Transport, skladištenje i odlaganje.....	318
Sklapanje.....	315	Tehnički podaci.....	319
Rukovanje.....	316	EZ deklaracija o usaglašenosti.....	320

Uvod

Opis proizvoda

Proizvod je višenamenski usisivač dizajniran za komercijalnu upotrebu.

Oblast primene

Koristite proizvod za usisavanje suve, nezapaljive prašine i tečnosti.

Pregled proizvoda WDC 220, WDC 225

(Sl. 1)

1. Glavni prekidač
2. Sistem za čišćenje filtera
3. Ulaz za usis
4. Točkici
5. Držač kabla, držač creva
6. Filter vrećica

Pregled proizvoda WDC 325L

(Sl. 2)

1. Glavni prekidač
2. Sistem za čišćenje filtera
3. Ulaz za usis
4. Točkici
5. Držač kabla, držač creva
6. Filter vrećica
7. Nastavak
8. Drška
9. Nastavak za pod
10. Nastavak za uglove
11. Korisničko uputstvo
12. Produžna cev
13. Crevo
14. Adapter za električni alat
15. Električni priključak za električni alat
16. Kutija za alat

Simboli na proizvodu

(Sl. 3) Pre korišćenja pažljivo pročitajte korisničko uputstvo i budite sigurni da razumete njegov sadržaj.

(Sl. 4) Uređaj ima dvostruku izolaciju.

Pročitajte i pridržavajte se bezbednosnih uputstava i korisničkog uputstva.

Vršite samo one radove na održavanju i popravci proizvoda koji su navedeni od strane proizvođača.

Proizvođač ne prihvata odgovornost za štetu koja nastane usled nepravilne upotrebe, neodgovarajućeg održavanja ili popravke.

7. Nastavak
8. Drška
9. Nastavak za pod
10. Nastavak za uglove
11. Korisničko uputstvo
12. Produžna cev
13. Crevo

(Sl. 5) Nemojte odlagati uređaj sa otpadom iz domaćinstva. Poštujte lokalne propise.

(Sl. 6) Proizvod je usaglašen sa važećim EZ direktivama.

Napomena: Drugi simboli/oznake na proizvodu odnose se na zahteve za sertifikaciju za ostale komercijalne oblasti.

Klasa prašine L

(Sl. 7)

Pridržavajte se saveta u pogledu bezbednosti i povezanih mera za klasu prašine L.

Odgovornost za proizvod

Kako je izloženo u zakonima o odgovornosti za proizvode, mi nismo odgovorni za oštećenja prouzrokovana našim proizvodom u sledećim slučajevima:

- proizvod je popravljen na pogrešan način
- proizvod je popravljen korišćenjem delova koji nisu napravljeni ili odobreni od strane proizvođača
- proizvod ima opremu koja ne potiče ili nije odobrena od strane proizvođača

- proizvod nije popravljen u ovlašćenom servisnom centru ili od strane ovlašćenog stručnjaka

Bezbednost

Bezbednosne definicije

Upozorenja, mere opreza i napomene se koriste da ukažu na naročito važne delove korisničkog uputstva.



UPOZORENJE: Koristi se ako, usled nepoštovanja uputstava, postoji rizik od nastanka telesnih povreda ili smrti kod rukovaoca ili prisutnih osoba.



OPREZ: Koristi se ako, usled nepoštovanja uputstava, postoji rizik od nastanka oštećenja na proizvodu, drugim materijalima ili susednim oblastima.

Napomena: Koristi se za pružanje više informacija koje su neophodne u datoj situaciji.

Opšta bezbednosna uputstva



UPOZORENJE: Pročitajte upozoravajuća uputstva koja slede pre korišćenja proizvoda.

- Ako su proizvod i/ili oprema oštećeni, moraju biti popravljeni od strane ovlašćenog servisnog centra. Nemojte koristiti oštećeni proizvod.
- Nemojte dozvoliti da dete rukuje proizvodom. Ne dozvolite neobučanim osobama da rukuju proizvodom ili vrše održavanja na proizvodu.
- Proizvodom se mora raditi samo pod nadzorom.
- Pobrinite se da uvek nadzirete osobu sa smanjenim fizičkim ili mentalnim sposobnostima koja koristi proizvod.
- Potrebno je vršiti stalni nadzor nad decom kako biste bili sigurni da se ne igraju sa proizvodom.
- Nemojte primenjivati opasne radne procedure.
- Nemojte upotrebljavati proizvod bez filtera postavljenih u pravilnom položaju.
- Zaustavite proizvod i iskopčajte mrežni priključak u sledećim situacijama:
 - Pre čišćenja i održavanja.
 - Pre popravke.
 - U slučaju pojave pene ili tečnosti.
- Nemojte se udaljavati od proizvoda kada je priključen. Iskopčajte mrežni utikač kada se proizvod ne koristi i pre vršenja održavanja.
- Nemojte koristiti proizvod ako su kabl ili utikač oštećeni. Da biste isključili proizvod, povucite utikač, a ne kabl. Nemojte dodirivati utikač ili proizvod vlažnim rukama. Resetujte sve kontrole pre isključivanja.

- Nemojte povlačiti proizvod za kabl. Nemojte koristiti kabl za nošenje proizvoda. Nemojte priklještititi kabl vratima ili vući kabl oko oštih ivica ili uglova. Nemojte prelaziti proizvodom preko kabla. Držite kabl podalje od vrućih površina.
- Držite kosu, široku odeću, prste i sve delove tela dalje od otvora i pokretnih delova. Nemojte stavljati nikakve predmete u otvore ili koristiti sa blokiranim otvorima. Održavajte otvore čistim od prašine, dlaka, kose i svega drugog što može smanjiti protok vazduha.
- Nemojte usisavati opasnu prašinu sa WDC 220, WDC 225.
- Nemojte koristiti za usisavanje zapaljive prašine ili tečnosti poput benzina. Nemojte koristiti proizvod u područjima gde su takve materije prisutne.
- Nemojte usisavati ništa što gori ili se dimi, kao što su cigarete, šibice ili vruć pepeo.
- Budite pažljivi prilikom čišćenja na stepenicama.
- Ako iz proizvoda izlazi pena ili tečnost, odmah zaustavite proizvod.
- Nemojte koristiti proizvod kao pumpu za vodu.
- Priključite proizvod na odgovarajuću uzemljenu mrežnu utičnicu. Utičnica i produžni kabl moraju imati operativni zaštitni provodnik (primenljivo samo na proizvode koji nemaju dvostruku izolaciju).
- Omogućite dobru ventilaciju u radnom području.
- Nemojte koristiti proizvod kao merdevine ili stepenik.
- Kada se koriste sredstva za uklanjanje prašine, brzina kojom se vazduh zamenjuje u sobi mora da bude odgovarajuća ako se vazduh iz usisivača izduvava u sobu. Pridržavajte se nacionalnih propisa pre korišćenja.
- Za proizvode za klasu prašine L WDC 325L, posavetujte i obučite rukovaoca pre korišćenja o sledećem:
 - Kako koristiti proizvod.
 - Rizici materijala koji se usisavaju.
 - Bezbedno odlaganje usisanog materijala.
- Za proizvode za klasu prašine L, WDC 325L, sledeće se primenjuje:
 - Koristite proizvod za usisavanje suve, nezapaljive prašine i tečnosti, opasne

prašine sa OEL¹) vrednošću > 1mg/m³. Klasa prašine L (IEC 60335-2-69). Prašina ove klase ima OEL¹) vrednosti > 1mg/m³.

- Proizvodi za klasu prašine L imaju testirani materijal filtera. Maksimalni stepen propustljivosti iznosi 1%. Nema posebnih zahteva u pogledu odlaganja.

i prodavaca i mora ga postaviti obučeno osoblje.



UPOZORENJE: Servisiranje dvostruko izolovanog proizvoda zahteva znanje o sistemu. U dvostruko izolovanim proizvodima, dva sistema izolacije su obezbeđena umesto uzemljenja. To znači da u dvostruko izolovanim proizvodima nije omogućeno uzemljenje niti ga je potrebno dodavati u uređaj. Servisiranje mora obaviti samo ovlašćeno i obučeno servisno osoblje. Rezervni delovi za dvostruko izolovane proizvode moraju biti identični delovima koji se zamenjuju. Dvostruko izolovani proizvod je označen rečima „DOUBLE INSULATION“ ili „DOUBLE INSULATED“ (Dvostruka izolacija). Simbol se takođe može koristiti na proizvodu.

Napomena: Pogledajte lokalne zakone. Njima se može regulisati uzrast rukovaoca.

Bezbednost za dvostruko izolovane proizvode



UPOZORENJE: Koristite proizvod samo na način opisan u ovom korisničkom uputstvu i samo sa proizvođačevom preporučenom opremom.



UPOZORENJE: Primenljivo samo za Veliku Britaniju: Pročitajte ova važna uputstva. Ova uputstva su sastavljena imajući prvenstveno na umu bezbednost i efikasnost. Rukovalac mora biti obućen od strane odobrenog instruktora i mora razumeti ova uputstva za rad. Rukovalac mora biti upoznat sa svim primenljivim propisima i važećim zakonima u vreme rada.



UPOZORENJE: Pre priključivanja proizvoda: Uverite se da se mrežni napon i mrežna frekvencija napajanja podudaraju sa podacima na nazivnoj pločici usisivača za mokro/suvo usisavanje.



UPOZORENJE: Ovaj proizvod ima dvostruko izolaciju. Koristite samo Husqvarna rezervne delove. Pogledajte uputstva za servisiranje dvostruko izolovanih proizvoda.



UPOZORENJE: Proizvod ima specijalan kabl. Ako je kabl oštećen, mora biti zamenjen kablom istog tipa. On je dostupan kod ovlašćenih servisnih centara

Električna bezbednost

- Preporučuje se da usisivač bude povezan preko prekidača rezidualne struje.
- Priključite električne delove (utičnice, utikače i spojnice) i postavite produžni kabl kako bi se održala klasa zaštitne opreme.
- Priključci i spojnice kablova za napajanje i produžni kablovi moraju biti vodootporni.

Produžni kabl

- Kao produžni kabl koristite samo verziju naznačenu od strane proizvođača ili one visokog kvaliteta.
- Kada koristite produžni kabl, proverite minimalni poprečni presek kabla:

Dužina kabla	Poprečni presek	
	< 16 A	< 25 A
< 20 m	1,5 mm ²	2,5 mm ²
20-50 m	2,5 mm ²	4,0 mm ²



UPOZORENJE: Gornji deo usisivača sadrži komponente pod naponom. Kontakt sa komponentama pod naponom dovodi do ozbiljnih ili čak fatalnih povreda.

- Nikada nemojte prskati vodu na gornji deo usisivača.



UPOZORENJE: Strujni udar usled neispravnog kabla za povezivanje na mrežno napajanje. Dodirivanje neispravnog kabla za povezivanje na mrežno napajanje može rezultirati teškim ili čak fatalnim povredama.

- Nemojte oštetiti kabl za mrežno napajanje (na primer, gazeći ga, povlačeći ga ili gnječeći ga).
- Redovno proveravajte da li je kabl za napajanje oštećen ili se na njemu vide znaci starenja.
- Ako je električni kabl oštećen, mora biti zamenjen od strane ovlašćenog distributera kompanije Husqvarna ili slične kvalifikovane osobe kako bi se izbegle opasnosti.
- Ni u kom slučaju se kabl za napajanje ne sme namotati oko prstiju ili bilo kog dela tela rukovaoca.



OPREZ: Utičnica na uređaju (samo na nekim modelima) namenjena je samo u svrhe definisane u uputstvima za upotrebu.

Priključivanje različitih uređaja može dovesti do oštećenja.

- Pre uključivanja uređaja, uvek zaustavite proizvod i uređaj koji se priključuje.
- Pročitajte uputstva za upotrebu uređaja koji se priključuje i pridržavajte se bezbednosnih napomena koje se u njima nalaze.



OPREZ: Oštećenje zbog neodgovarajućeg mrežnog napona. Uređaj može biti oštećen kao rezultat povezivanja na neodgovarajući mrežni napon.

- Uverite se da se mrežni napon i mrežna frekvencija napajanja podudaraju sa podacima na nazivnoj pločici usisivača za mokro/suvo usisavanje.

Bezbednosna uputstva za rad

Usisavanje tečnosti



OPREZ: Nemojte usisavati zapaljive tečnosti.

- Uklonite filter vrećicu pre početka usisavanja tečnosti. Proverite da li plovak ili ograničenje nivoa vode funkcionišu ispravno.
- Koristite specijalan element filtera ili mrežicu filtera.
- Ako iz proizvoda počne da izlazi pena, odmah prekinite rad i ispraznite rezervoar.

Opasni materijali



UPOZORENJE: Nemojte usisavati opasne materijale. To može izazvati povrede.

- Sledeći materijali se ne smeju usisavati:
 - opasna prašina.
 - vrući materijali, na primer, upaljene cigarete i vruć pepeo.
 - zapaljive, eksplozivne, agresivne tečnosti, na primer, benzin, rastvarači, kiseline i alkalije.
 - zapaljiva, eksplozivna prašina, na primer, prašina magnezijuma ili aluminijuma.

Rezervni delovi i oprema



OPREZ: Koristite samo rezervne delove i opremu zbog bezbednosti proizvoda.

- Koristite samo rezervne delove i opremu kompanije Husqvarna.
- Koristite samo četke isporučene sa proizvodom ili navedene u korisničkom uputstvu.

Eksplozivno ili zapaljivo okruženje



OPREZ: Nemojte koristiti proizvod u eksplozivnim ili zapaljivim okruženjima.

Nemojte koristiti proizvod u blizini tečnosti, gasova ili isparenja koji mogu prouzrokovati zapaljiva okruženja.

Funkcija duvača



UPOZORENJE: Prašina može da prouzrokuje zdravstvene probleme. Proizvod ima funkciju duvača. Nemojte izduvavati izlazni vazduh nasumice u zatvorenim prostorima. Koristite funkciju duvača samo sa čistim crevom.

Bezbednosna uputstva za održavanje



UPOZORENJE: Pročitajte sva upozoravajuća uputstva koja slede pre održavanja proizvoda.

Pražnjenje posude za nečistoću



OPREZ: Usisani materijal može biti opasan za životnu sredinu. Odložite nečistoću u skladu sa zakonskim propisima.

Sklapanje



UPOZORENJE: Pre sklapanja proizvoda je potrebno da pročitate i razumete poglavlje o bezbednosti.

Koraci pre instalacije

1. Otpustite bravice i podignite jedinicu motora. (Sl. 8)
2. Uklonite dodatke sa posude za nečistoću. (Sl. 9)
3. Uverite se da su svi delovi uključeni. Pogledajte pregled proizvoda. Potreban alat: Odvijač.

Postavljanje filter vrećice

1. Okrenite glavni prekidač u položaj „0“.
2. Iskopčajte proizvod. (Sl. 10)
3. Otpustite bravice i podignite jedinicu motora. (Sl. 8)
4. Postavite filter vrećicu u posudu za nečistoću.
5. Pričvrstite kartonski deo filter vrećice na ulaz za usis. Osigurajte da gumena membrana prolazi pojačanje na ulazu za usis. (Sl. 11)
6. Postavite jedinicu motora na posudu za nečistoću i zatvorite bravice. (Sl. 12)

Postavljanje opreme

1. Postavite opremu na njihov položaj radi lakog pristupa. (Sl. 13)
2. Pričvrstite kutiju sa alatom na zadnji deo proizvoda. (Sl. 14)
3. Pričvrstite držač za kabl i crevo na zadnji deo proizvoda. (Sl. 15)

Postavljanje creva

1. Postavite crevo na ulaz za usis na prednjoj strani proizvoda. (Sl. 16)
2. Povežite uređaj na mrežno napajanje.
3. Okrenite glavni prekidač u položaj „I“. (Sl. 17)
4. Prilagodite usisnu snagu na drški ili pomoću glavnog prekidača*. *Samo na nekim modelima. (Sl. 18)

Postavljanje držača cevi

1. Pomerite držač cevi vertikalno na produžnoj cevi.
2. Pomoću odvijača postavite držač cevi na odgovarajuću visinu produžne cevi. (Sl. 19)

3. Postavite produžnu cev na držače na zadnjoj strani proizvoda. (Sl. 20)

Rukovanje

Uvod



UPOZORENJE: Pre rada sa proizvodom, morate pročitati i razumeti poglavlje o bezbednosti.

Pokretanje proizvoda

Pre korišćenja proizvoda, uverite se da su frekvencija i napon prikazani na nazivnoj pločici isti kao mrežni napon.

1. Uverite se da je glavni prekidač u položaju „0“. (Sl. 10)
2. Proverite da li su odgovarajući filteri na mestu na proizvodu.
3. Postavite crevo u ulaz za usis na prednjoj strani proizvoda. Pritisnite crevo unapred dok se čvrsto ne postavi na mesto u ulazu za usis. (Sl. 16)
4. Povežite dve produžne cevi sa drškom. Okrenite produžne cevi kako biste se uverili da su ispravno na mestu.
5. Postavite dodatak na produžnu cev. Izaberite dodatak prema tipu materijala koji će se usisavati.
6. Priključite utikač u mrežno napajanje.
7. Okrenite glavni prekidač u položaj „I“ da biste pokrenuli proizvod. (Sl. 17)

Zaustavljanje proizvoda

1. Okrenite glavni prekidač u položaj „0“ da biste zaustavili proizvod.
2. Isključite utikač iz mrežnog napajanja. (Sl. 10)

Korišćenje funkcije duvača

1. Postavite crevo u otvor na zadnjoj strani proizvoda. (Sl. 21)
2. Priključite utikač u mrežno napajanje.
3. Okrenite glavni prekidač u položaj „I“. (Sl. 17)
4. Prilagodite snagu duvanja na drški ili pomoću glavnog prekidača*. *Samo na nekim modelima. (Sl. 22)

Korišćenje utičnice za električni alat*

*Samo na nekim modelima.



OPREZ: Pridržavajte se uputstava za upotrebu i bezbednosnih uputstava za

uređaje povezane na utičnicu za električni alat.

Napomena: Maksimalna potrošnja energije priključenog alata je navedena u odeljku *Tehnički podaci na stranici 319.*

1. Uverite se da je prekidač na električnom alatu u položaju „0“. (Sl. 23)
2. Odvojite dršku sa creva. Pritisnite spone na kraju creva (A) i izvucite dršku (B). (Sl. 24)
3. Povežite adapter za električni alat. (Sl. 25)
4. Prilagodite usisnu snagu na adapteru za električni alat ili pomoću glavnog prekidača. *Samo na nekim modelima. (Sl. 26)
5. Povežite crevo na ulaz za usis proizvoda i na električni alat. Povežite kabl električnog alata na električni priključak proizvoda. (Sl. 27)
6. Uverite se da je prekidač na električnom alatu u položaju „0“. (Sl. 23)
7. Okrenite glavni prekidač na proizvodu u položaj električnog alata (A).
8. Postavite prekidač električnog alata u položaj „I“ (B). (Sl. 28)

Napomena: Možete da pokrenete i zaustavite proizvod pomoću glavnog prekidača na proizvodu (A) ili električnom alatu (B).

Usisavanje tečnosti

Napomena: Proizvod ima sistem sa plovkom koji zaustavlja protok vazduha kroz proizvod na maksimalnom nivou tečnosti.



OPREZ: Nemojte usisavati tečnost bez postavljenog sistema sa plovkom.

1. Uverite se da su filter i zatezač filtera (sistem sa plovkom) na mestu, pogledajte *Zamena filtera na stranici 318.* Uklonite filter vrećicu ako je postavljena.
2. Koristite nastavak za pod za usisavanje tečnosti.
3. Pri maksimalnom nivou tečnosti čuće se primetna promena zvuka motora. Usisna snaga se smanjuje.
4. Zaustavite proizvod, pogledajte *Zaustavljanje proizvoda na stranici 316.*

5. Ispraznite posudu za nečistoću, pogledajte *Pražnjenje posude za nečistoću nakon usisavanja tečnosti na stranici 317.*

Održavanje

Uvod



UPOZORENJE: Pre održavanja, morate pročitati i razumeti poglavlje o bezbednosti.

Za sva servisiranja i popravke proizvoda, potrebna je specijalna obuka. Garantujemo dostupnost stručnih popravki i servisiranja. Ako vaš prodavac nije servisni agent, obratite mu se za informacije o najbližem servisnom agentu.

Redovno servisiranje i pregled

- Redovno servisiranje i pregled proizvoda mora obaviti stručno osoblje u skladu sa primenljivim zakonskim propisima.
- Električna testiranja za kontinuitet uzemljenja, otpornost izolacije i stanje fleksibilnog kabla moraju se često obavljati.
- U slučaju bilo kakvog kvara, proizvod se **mora** odmah povući i popraviti od strane ovlašćenog servisnog tehničara.

Održavanje proizvoda za klasu prašine L

Sledeće se primenjuje za proizvode za klasu prašine L, WDC 325L.

- Tokom održavanja i čišćenja, bezbedno rukujte proizvodom u cilju zaštite osoblja koje radi na održavanju i drugih osoba.
- U području u kojem se vrši održavanje:
 - Obezbedite obavezni filtrirani protok vazduha.
 - Nosite zaštitnu odeću.
 - Očistite područje u kojem se vrši održavanje tako da opasan materijal ne dospe u druga područja.
- Ako se delovi ne mogu propisno očistiti tokom održavanja i popravke:
 - Stavite delove u odgovarajuće zapečaćene vrećice.
 - Bacite delove u skladu sa zakonskim propisima.

Pražnjenje posude za nečistoću nakon usisavanja tečnosti

1. Zaustavite proizvod, pogledajte *Zaustavljanje proizvoda na stranici 316.*
2. Odvojite crevo sa ulaza za usis tako što ćete izvući crevo.
3. Otpustite bravice i podignite jedinicu motora. (Sl. 8)

4. Ispraznite posudu za nečistoću tako što ćete je okrenuti unazad i ispraznite tečnost u slivnik. * Drška samo na nekim modelima. (Sl. 29)



OPREZ: Uvek ispraznite i očistite posudu za nečistoću i sistem sa plovkom nakon usisavanja tečnosti. Nemojte usisavati tečnost bez postavljenog sistema sa plovkom i filtera u proizvodu.

5. Postavite jedinicu motora na posudu za nečistoću i zatvorite bravice. (Sl. 12)

Pražnjenje posude za nečistoću nakon suvog usisavanja

1. Zaustavite proizvod, pogledajte *Zaustavljanje proizvoda na stranici 316.*
2. Otpustite bravice i podignite jedinicu motora. (Sl. 8)
3. Proverite da li je filter vrećica puna.
4. Uklonite filter vrećicu ako je puna.



OPREZ: Nemojte usisavati suve materijale bez postavljenog filtera i filter vrećice.

5. Postavite novu filter vrećicu, pogledajte *Postavljanje filter vrećice na stranici 315.*

Napomena: Usisna efikasnost proizvoda zavisi od dimenzija i kvaliteta filtera i filter vrećice. Koristite samo Husqvarna filter i filter vrećice.

6. Postavite jedinicu motora na posudu za nečistoću i zatvorite bravice. (Sl. 12)

Čišćenje filtera, sistema za čišćenje filtera

Proizvod ima poluautomatski sistem za čišćenje filtera. Redovno koristite sistem za čišćenje filtera, najkasnije kada učinak usisavanja više nije zadovoljavajući. Redovno korišćenje sistema za čišćenje filtera produžava radni vek filtera.

1. Očistite filter kada usisna snaga više nije dovoljna. (Sl. 30)
2. Postavite crevo na ulaz za usis na prednjoj strani proizvoda. (Sl. 16)
3. Povežite uređaj na mrežno napajanje.
4. Okrenite glavni prekidač u položaj „I“. (Sl. 17)
5. Stavite dršku na dlan (A) kako bi usisna snaga išla na vaš dlan.

6. Udarite dugme za čišćenje filtera 3 puta pesnicom (B). (Sl. 31)
7. Ako usisna snaga nije zadovoljavajuća, uklonite filter, pogledajte *Zamena filtera na stranici 318*.
8. Protresite, očerkajte ili operite filter kako biste ga očistili.
9. Ostavite da se filter osuši.
10. Postavite filter, pogledajte *Postavljanje filter vrećice na stranici 315*.

Čišćenje proizvoda spolja

1. Zaustavite proizvod, pogledajte *Zaustavljanje proizvoda na stranici 316*.
2. Očistite proizvod suvom krpom i malom količinom spreja za poliranje.

Zamena filtera

Proizvod je dizajniran za kontinuirani težak rad. Filter za prašinu je potrebno zameniti u zavisnosti od broja radnih sati.

1. Zaustavite proizvod, pogledajte *Zaustavljanje proizvoda na stranici 316*.
2. Otpustite bravice i podignite jedinicu motora. (Sl. 8)
3. Rotirajte zatezač filtera (A) suprotno kretanju kazaljke na satu i izvucite ga. Izvucite filter (B). (Sl. 32)

4. Postavite novi filter (A). Postavite zatezač filtera (B) i rotirajte ga u pravcu kazaljke na satu. (Sl. 33)
5. Uverite se da su filter i zatezač filtera na mestu. (Sl. 34)
6. Postavite jedinicu motora na posudu za nečistoću i zatvorite bravice. (Sl. 12)

Zamena filter vrećice

1. Zaustavite proizvod, pogledajte *Zaustavljanje proizvoda na stranici 316*.
2. Otpustite bravice i podignite jedinicu motora. (Sl. 8)
3. Proverite da li je filter vrećica puna. Uklonite filter vrećicu ako je puna.
4. Izvucite kartonski deo stare filter vrećice iz ulaza za usis.
5. Podignite filter vrećicu (A) i odložite je.
6. Postavite novu filter vrećicu u posudu za nečistoću (B).
7. Pričvrstite kartonski deo filter vrećice na ulaz za usis (C). Osigurajte da gumena membrana prolazi pojačanje na ulazu za usis. (Sl. 35)
8. Postavite jedinicu motora na posudu za nečistoću i zatvorite bravice. (Sl. 12)

Transport, skladištenje i odlaganje

Transport i skladištenje

- Nakon korišćenja:
 - Iskopčajte utikač iz mrežnog napajanja kada se proizvod ne koristi.
 - Namotajte kabl počevši od proizvoda.
 - Koristite držač kabla da biste pričvrstili kabl na jedinicu motora.
 - Namotajte crevo.
 - Koristite držač creva da biste pričvrstili crevo na jedinicu motora.
- Transport:
 - Zatvorite sve bravice na jedinici motora.
 - Nemojte naginjati proizvod ako ima tečnosti u posudi za nečistoću.
 - Nemojte koristiti kuku na kranu za podizanje proizvoda.
- Skladištenje:
 - Čuvajte proizvod na suvom mestu na kome nema mraza.

1. Isključite utikač iz mrežnog napajanja.
2. Presecite kabl za napajanje.
3. Nemojte odlagati proizvod u uobičajeni otpad iz domaćinstva.

Odlaganje u otpad (u skladu sa 2012/19/EZ):

Uređaj ne odlažite u normalan kućni otpad. Mora biti odložen u skladu sa lokalnim propisima o zaštiti životne sredine.

Pobrinite se da se uređaj odloži preko ili uz pomoć lokalnog sabirnog centra za reciklažu.

(Sl. 5)

Recikliranje proizvoda

Pratite ove korake da biste proizvod učinili neupotrebljivim.

Tehnički podaci

Tehnički podaci

	EU/CH		GB		AU/NZ		US
	WDC 220	WDC 325L	WDC 220	WDC 325L	WDC 220	WDC 325L	WDC 225
Napon, V	220-240	220-240	220-240	220-240	220-240	220-240	110-120
Snaga P_{iec} , W	1000	1200	1000	1000	1000	1000	1000
Priključeno opterećenje za utičnicu uređaja, W	-	2400 /1100	-	1900	-	1300	-
Frekvencija, Hz	50/60				50-60		50/60
Osigurač, A	10	16/10	13	13	10	10	15
Kategorija zaštite (vlaga, prašina)	IPX4						
Klasa zaštite (električna)	II (SI. 4)	I	II (SI. 4)	I	II (SI. 4)	I	II (SI. 4)
Protok vazduha, l/min	3600	3700	3600	3600	3600	3600	3200
Protok vazduha, kubna stopa po minuti	127	130	127	127	127	127	113
Vakuum, mbar	210	235	210	210	210	210	210
Nivo zvučnog pritiska na 1 m udaljenosti, EN 60704-1, dB(A) +/- 2	72						
Vibracija ISO 5349, m/s ² +/- 1	<1,5						
Težina, kg	7,5	8,5	7,5	8,5	7,5	8,5	7,5
Širina, mm	377	376	377	376	377	376	377
Dubina, mm	385	392	385	392	385	392	392
Visina, mm	506	533	506	530	506	530	550

EZ deklaracija o usaglašenosti

EZ deklaracija o usaglašenosti

Husqvarna AB, SE-561 82 Huskvarna, Švedska, tel:
+46-36-146500, izjavljuje da je **usisivač Husqvarna**
WDC 220, 3325L usaglašen sa zahtevima DIREKTIVE
VEĆA:

- od 17. maja 2006., „u vezi sa mašinerijom“
2006/42/EZ
- od 26. februara 2014., „koja se odnosi na
elektromagnetnu kompatibilnost“ **2014/30/EU**

Primenjeni su sledeći standardi:

EN 60335-1:2012+A11:2014, EN 60335-2-69:2012, EN
55014-1:2006+A1:2009+A2:2011, EN 55014-2:2015,
EN 61000-3-2:2014, EN 61000-3-3:2013

Ako nije drugačije navedeno, gore navedeni standardi
su najnovije objavljene verzije.

Huskvarna, 2018-08-01



Cornelia Ekbladh, direktor menadžmenta proizvoda

Innehåll

Introduktion.....	321	Underhåll.....	328
Säkerhet.....	322	Transport, förvaring och kassering.....	329
Montering.....	326	Tekniska data.....	330
Drift.....	327	EG-försäkran om överensstämmelse.....	331

Introduktion

Produktbeskrivning

Produkten är en multifunktionell dammsugare som är utformad för kommersiellt bruk.

Avsedd användning

Använd produkten för att rengöra torrt, icke brandfarligt damm och vätskor.

Produktöversikt WDC 220, WDC 225

(Fig. 1)

1. Huvudbrytare
2. Filterreningsssystem
3. Luftintag
4. Hjul
5. Kabelhållare, slanghållare
6. Filterpåse

Läs och följ säkerhetsinstruktionerna och användarinstruktionerna.

Utför endast underhåll och reparation på produkten som anges av tillverkaren.

Tillverkaren ansvarar inte för skador till följd av felaktig användning, felaktigt underhåll eller felaktig reparation.

7. Munstycke
8. Handtag
9. Golvmunstycke
10. Munstycke för springor
11. Bruksanvisning
12. Förlängningsrör
13. Slang

Produktöversikt WDC 325L

(Fig. 2)

1. Huvudbrytare
2. Filterreningsssystem
3. Luftintag
4. Hjul
5. Kabelhållare, slanghållare
6. Filterpåse
7. Munstycke
8. Handtag
9. Golvmunstycke
10. Munstycke för springor
11. Bruksanvisning
12. Förlängningsrör
13. Slang
14. Elverktygsadapter
15. Elektrisk anslutning för elverktyg
16. Verktyglåda

(Fig. 5) Kasta inte enheten som hushållsavfall. Följ lokala bestämmelser.

(Fig. 6) Produkten överensstämmer med gällande EG-direktiv.

Notera: Övriga symboler/dekaler på produkten avser specifika krav för certifieringar på andra kommersiella marknader.

Dammklass L

(Fig. 7)

Följ säkerhetsinstruktionerna och tillhörande åtgärder för Dammklass L.

Produktansvar

Enligt lagstiftningen för produktansvar ansvarar vi inte för skador som vår produkt orsakar om:

- produkten repareras felaktigt
- produkten repareras med delar som inte kommer från tillverkaren eller inte har godkänts av tillverkaren
- produkten har ett tillbehör som inte kommer från tillverkaren eller inte har godkänts av tillverkaren

Symboler på produkten

(Fig. 3) Läs igenom bruksanvisningen noggrant och se till att du förstår instruktionerna innan användning.

(Fig. 4) Enheten har dubbel isolering.

- produkten inte repareras vid ett godkänt servicecenter eller av en godkänd person.

Säkerhet

Säkerhetsdefinitioner

Varningar, försiktighetsåtgärder och anmärkningar används för att betona speciellt viktiga delar i bruksanvisningen.



WARNING: Används om det finns risk för skador eller dödsfall för användaren eller kringstående om anvisningarna i bruksanvisningen inte följs.



OBSERVERA: Används om det finns risk för skada på produkten, annat material eller det angränsande området om anvisningarna i bruksanvisningen inte följs.

Notera: Används för att ge mer information som är nödvändig i en viss situation.

Allmänna säkerhetsanvisningar



WARNING: Läs varningsinstruktionerna nedan innan du använder produkten.

- Om produkten eller ett tillbehör skadas måste reparationen utföras av en auktoriserad serviceverkstad. Använd inte en skadad produkt.
- Låt inte barn använda produkten. Låt inte personer utan kännedom om instruktionerna använda eller utföra underhåll på produkten.
- Produkten får endast användas under övervakning.
- Se till att du alltid övervakar en person med nedsatt fysisk eller mental kapacitet som använder produkten.
- Barn ska övervakas för att säkerställa att de inte leker med produkten.
- Använd inte farliga arbetsmoment.
- Använd inte produkten utan filtren i korrekt position.
- Stäng av produkten och koppla bort nätkontakten i följande situationer:
 - Före rengöring och underhåll.
 - Före reparation.
 - Om det finns skum eller vätska i området.
- Lämna inte produkten när den är ansluten. Koppla bort nätkontakten när den inte används och före underhåll.
- Använd inte produkten om sladden eller kontakten är skadad. Håll i kontakten, inte i sladden, när du kopplar bort den. Håll inte i kontakten eller produkten med våta händer. Återställ alla kontroller innan du kopplar bort den.
- Dra inte i produkten i sladden. Använd inte sladden som handtag. Stäng inte en dörr på sladden och dra inte sladden runt skarpa kanter

- eller hörn. Kör inte produkten över sladden. Håll sladden borta från varma ytor.
- Håll hår, löst sittande kläder, fingrar och alla kroppsdelar borta från öppningar och rörliga delar. Placera inga föremål i öppningarna och använd inte produkten med öppningen blockerad. Håll öppningar fria från damm, ludd, hår och annat som kan försämra luftflödet.
 - Dammsug inte upp farligt damm med WDC 220, WDC 225.
 - Dammsug inte upp brandfarliga eller brännbara vätskor, som bensin. Använd inte produkten i områden där sådana produkter kan förekomma.
 - Dammsug inte upp något som är bränt eller ryker, såsom cigaretter, tändstickor eller het aska.
 - Var försiktig vid rengöring av trappor.
 - Om det kommer skum eller vätska från produkten stoppar du omedelbart produkten.
 - Använd inte produkten som en vattenpump.
 - Anslut produkten till ett korrekt jordat uttag. Väggtuttaget och förlängningskabeln måste ha en operativ skyddsledare (gäller endast för icke dubbelisolerade produkter).
 - Se till att det finns gott luftflöde vid arbetsområdet.
 - Använd inte produkten som en stege eller trappstege.
 - När dammborttagare används måste luften i rummet bytas ut tillräckligt snabbt om utblåsningsluften från dammsugaren går in i rummet. Följ nationella bestämmelser före användning.
 - För Dammklass L-produkter, WDC 325L, bör användaren informeras om följande före användning:
 - Hur man använder produkten.
 - Riskerna för det material som ska sugas upp.
 - Säker kassering av uppsuget material.
 - För Dammklass L-produkter, WDC 325L, gäller följande:
 - Använd produkten för att rengöra torrt, icke brandfarligt damm och vätskor, farliga dammsorter med OEL¹⁾ värde > 1 mg/m³. Dammklass L (IEC 60335-2-69). Dammet i denna klass har OEL¹⁾ värden > 1 mg/m³.

- Produkter med Dammklass L har ett testat filtermaterial. En maximal vattengenomträngning på 1 %. Det finns inga särskilda krav för kassering.

Notera: Följ lokala lagar. De kan reglera användarens ålder.

Säkerhet för dubbelisolerade produkter



WARNING: Använd endast produkten enligt denna bruksanvisning och endast med tillverkarens rekommenderade tillbehör.



WARNING: Gäller endast Storbritannien: Läs dessa viktiga instruktioner. Dessa instruktioner handlar om säkerhet och effektivitet. Användaren måste vara utbildad av en godkänd instruktör och måste förstå dessa instruktioner för användning. Användaren måste känna till alla relaterade bestämmelser och lagstiftning som gäller vid tiden för användningen.



WARNING: Innan du ansluter produkten: Se till att strömförsörjningens nätspänning och nätfrekvens stämmer överens med uppgifterna på typskylten på våt/torr-dammsugaren.



WARNING: Denna produkt har dubbel isolering. Använd endast Husqvarna-reservdelar. Läs instruktionerna om hur du ska utföra service på dubbelisolerade produkter.



WARNING: Produkten har en speciell sladd. Om sladden skadas måste den bytas ut av en sladd av samma typ. Den finns hos godkända servicecentra och återförsäljare och måste installeras av godkänd personal.



WARNING: Service av en dubbelisolerad produkt kräver kunskap om systemet. I en dubbelisolerad produkt finns två system med isolering i stället för jordning. Ingen jordning finns på en dubbelisolerad produkt och en jordningsmetod ska inte läggas till för apparaten. Service får endast göras av

godkänd servicepersonal. Reservdelar för dubbelisolerade produkter måste vara identiska med delarna de ersätter. En dubbelisolerad produkt är märkt med orden "DUBBEL ISOLERING" eller "DUBBELISOLERAD". En symbol kan även finnas på produkten.

Elsäkerhet

- Dammsugaren rekommenderas inte att anslutas via en jordfelsbrytare.
- Ordna de elektriska delarna (uttag, kontakter och kopplingar) och lägg ned förlängningskabeln så att skyddsklassen upprätthålls.
- Kontakter och kopplingar för strömförsörjningssladdar och förlängningskablar måste vara vattentäta.

Förlängningssladd

- Använd endast den version av förlängningskabel som anges av tillverkaren eller av en högre kvalitet.
- När du använder en förlängningskabel bör du kontrollera kabelns minsta tvärsnitt:

Kabellängd	Tvärsnitt	
	< 16 A	< 25 A
< 20 m	1,5 mm ²	2,5 mm ²
20–50 m	2,5 mm ²	4,0 mm ²



WARNING: Den övre delen av dammsugaren innehåller strömförande komponenter. Kontakt med strömförande komponenter leder till allvarliga eller till och med livshotande skador.

- Spruta aldrig vatten på den övre delen av dammsugaren.



WARNING: Elektriska stötar på grund av defekt elanslutningskabel. Om du rör vid en defekt elanslutningskabel kan

det resultera i allvarliga eller till och med livshotande skador.

- Skada inte nätkabeln (t.ex. genom att köra över den, dra i den eller krossa den).
 - Kontrollera regelbundet om strömkabeln är skadad eller visar tecken på ålder.
 - Om elkabeln har blivit skadad måste den bytas ut av en godkänd Husqvarna-distributör eller liknande kvalificerade personer för att undvika olyckor.
 - Under inga omständigheter får elsladden lindas runt fingrar eller någon del av användarens kropp.
-



OBSERVERA: Uttaget på apparaten (endast på vissa modeller) är endast avsett för de ändamål som anges i användarinstruktionerna. Anslutning av olika apparater kan leda till skador.

- Innan du kopplar in en apparat bör du alltid stänga av produkten och apparaten som ska anslutas.

- Läs användarinstruktionerna till apparaten som ska anslutas och följ de säkerhetsanvisningar som finns i dessa.
-



OBSERVERA: Skador på grund av olämplig nätspänning. Apparaten kan skadas till följd av att en olämplig nätspänning ansluts.

- Se till att strömförsörjningens nätspänning och nätfrekvens stämmer överens med uppgifterna på typskylten på våt/torr-dammsugaren.

Säkerhetsinstruktioner för drift

Rengöra vätskor



OBSERVERA: Rengör inte brandfarliga vätskor.

- Ta ur filterpåsen innan du börjar rengöra vätskor. Kontrollera att vätskans eller vattennivåns gräns fungerar korrekt.
- Använd en speciell filterinsats eller filterskärm.
- Om det kommer skum från produkten stoppar du arbetet omedelbart och tömmer tanken.

Farliga material



VARNING: Rengör inte farligt material. Detta kan orsaka skador.

- Rengör inte följande material:
 - farligt damm
 - heta material, till exempel tända cigaretter och varm aska.
 - brandfarliga, explosiva, frätande vätskor, t.ex. bensin, lösningsmedel, syror och alkalier.
 - brandfarligt, explosivt damm, t.ex. magnesium- eller aluminiumdamm.

Reservdelar och tillbehör



OBSERVERA: Använd endast reservdelar och tillbehör för produktens säkerhet.

- Använd endast reservdelar och tillbehör från Husqvarna.
- Använd endast de borstar som medföljde produkten eller som det hänvisas till i bruksanvisningen.

Explosiv eller brandfarlig atmosfär



OBSERVERA: Använd inte produkten i explosiva eller brandfarliga atmosfärer. Använd inte produkten i närheten vätskor, gas eller rök som kan orsaka lättantändliga atmosfärer.

Blåsarfunktion



VARNING: Damm kan orsaka hälsoproblem. Produkten har en blåsarfunktion. Blås inte ut den utgående luften slumpmässigt i slutna utrymmen. Använd endast blåsarfunktionen med en ren slang.

Säkerhetsinstruktioner för underhåll



VARNING: Läs alla varningsinstruktioner nedan innan du utför underhåll på produkten.

Tömma smutsbehållaren



OBSERVERA: Uppsugnet material kan vara skadligt för miljön. Kasta smuts enligt rättsliga föreskrifter.

Montering



VARNING: Läs och förstå säkerhetskapitlet innan du monterar produkten.

Det här behöver du göra före installationen

1. Lossa spännena och lyft bort motorenheten. (Fig. 8)
2. Ta bort tillbehören från smutsbehållaren. (Fig. 9)
3. Kontrollera att alla delar finns där. Se produktöversikten. Nödvändiga verktyg: Skruvmejsel.

Montera filterpåsen

1. Ställ huvudströmbrytaren i läge 0.
2. Koppla bort produkten. (Fig. 10)
3. Lossa spännena och lyft bort motorenheten. (Fig. 8)
4. Lägg filterpåsen i smutsbehållaren.
5. Fäst kartongdelen av filterpåsen på luftintaget. Se till att gummimembranet passerar förbi luftintagets förhöjda del. (Fig. 11)
6. Placera motorenheten på smutsbehållaren och lås spännena. (Fig. 12)

Montera tillbehören

1. Placera tillbehören i rätt position för enkel åtkomst. (Fig. 13)
2. Sätt fast verktygslådan på baksidan av produkten. (Fig. 14)
3. Fäst hållaren för kabeln och slangen på baksidan av produkten. (Fig. 15)

Montera slangen

1. Placera slangen i luftintaget på framsidan av produkten. (Fig. 16)
2. Anslut apparaten till elnätet.
3. Ställ huvudströmbrytaren i läge 1. (Fig. 17)
4. Justera sugeffekten på handtaget eller med huvudbrytaren*. *Endast på vissa modeller. (Fig. 18)

Montera rörhållaren

1. Flytta rörhållaren vertikalt på förlängningsröret.
2. Använd en skruvmejsel för att montera rörhållaren på rätt höjd på förlängningsröret. (Fig. 19)
3. Stanna förlängningsröret vid hållarna på baksidan av produkten. (Fig. 20)

Introduktion



VARNING: Innan du använder produkten måste du läsa igenom och förstå kapitlet om säkerhet.

Starta produkten

Innan produkten används bör du se till att den frekvens och spänning som anges på typskylten är densamma som nätspänningen.

1. Kontrollera att huvudbrytaren är i läge 0. (Fig. 10)
2. Kontrollera att rätt filter är på plats i produkten.
3. Placera slangens i luftintaget på framsidan av produkten. Tryck slangens framåt tills den sitter ordentligt på plats i luftintaget. (Fig. 16)
4. Anslut de två förlängningsrören med handtaget. Vrid på förlängningsrören för att kontrollera att de sitter rätt.
5. Fäst ett munstycke på förlängningsröret. Välj munstycket efter vilken typ av material som ska rengöras.
6. Anslut kontakten till elnätet.
7. Ställ huvudbrytaren i läge I för att starta produkten. (Fig. 17)

Stänga av produkten

1. Ställ huvudbrytaren i läge 0 för att stoppa produkten.
2. Koppla bort kontakten från elnätet. (Fig. 10)

Använda blåsarfunktionen

1. Placera slangens i öppningen på baksidan av produkten. (Fig. 21)
2. Anslut kontakten till elnätet.
3. Ställ huvudströmbrytaren i läge 1. (Fig. 17)
4. Justera blåsareffekten på handtaget eller med huvudbrytaren*. *Endast på vissa modeller. (Fig. 22)

Använda elverktygsuttaget*

*Endast på vissa modeller.



OBSERVERA: Följ användarinstruktionerna och

säkerhetsinstruktionerna för apparater som är anslutna till elverktygsuttaget.

Notera: Den maximala energiförbrukningen hos de anslutna verktyg visas i avsnittet *Tekniska data på sida 330*.

1. Se till att elverktygets brytare är i läge 0. (Fig. 23)
2. Ta bort handtaget från slangens ände (A) och dra ut handtaget (B). (Fig. 24)
3. Anslut elverktygsadaptorn. (Fig. 25)
4. Justera sugeffekten på elverktygsadaptorn eller med huvudbrytaren*. *Endast på vissa modeller. (Fig. 26)
5. Anslut slangens till luftintaget på produkten och till elverktyget. Anslut kabeln för elverktyget till den elektriska anslutningen för produkten. (Fig. 27)
6. Se till att elverktygets brytare är i läge 0. (Fig. 23)
7. Vrid huvudströmbrytaren på produkten till elverktygsläge (A).
8. Ställ elverktygets brytare i läge I (B). (Fig. 28)

Notera: Du kan starta och stoppa produkten med huvudbrytaren på produkten (A) eller på elverktyget (B).

Rengöra vätska

Notera: Produkten har ett vätskesystem som stoppar luftflödet genom produkten vid maximal vätskenivå.



OBSERVERA: Rengör inte vätska utan vätskesystemet på plats.

1. Se till att filtret och filterspänningen (vätskesystemet) är på plats, se *Byte av luftfilter på sida 329*. Ta bort filterpåsen om den är installerad.
2. Använd golvmunstycket för att rengöra vätska.
3. Vid maximal vätskenivå hörs en märkbar förändring av motorns ljud. Sug-effekten minskar.
4. Stoppa produkten, se *Stänga av produkten på sida 327*.
5. Töm dammbehållaren, se *Tömma smutsbehållaren efter uppsugning av vätska på sida 328*.

Underhåll

Introduktion



VARNING: Innan du utför underhåll måste du läsa och förstå kapitlet om säkerhet.

För allt service- och reparationsarbete på produkten krävs särskild utbildning. Vi garanterar att du kan få en fackmannamässig reparation och service utförd. Om din återförsäljare inte är en serviceverkstad kan du tala med dem för information om närmaste serviceverkstad.

Regelbunden service och kontroll

- Regelbunden service och kontroll av produkten måste göras av kvalificerad personal och i enlighet med relaterad lagstiftning och föreskrifter.
- Elektriska prov för markkontinuitet, isoleringsmotstånd och skicket på den flexibla sladden måste göras ofta.
- Om en felaktighet hittas **måste** produkten tas ur bruk och repareras av en godkänd servicetekniker.

Underhåll av Dammklass L-produkter

Följande gäller för Dammklass L-produkter, WDC 325L.

- Vid underhåll och rengöring bör du använda produkten på ett säkert sätt för underhållspersonal och andra personer.
- I underhållsområdet:
 - Använd filtrerat obligatoriskt luftflöde.
 - Använd skyddskläder.
 - Rengör underhållsområdet så att inga skadliga material släpps ut i andra områden.
- Om delarna inte kan rengöras tillfredsställande vid underhållsarbetet och reparationen:
 - Placera delarna i korrekt tätade påsar.
 - Kasta delarna enligt rättsliga föreskrifter.

Tömma smutsbehållaren efter uppsugning av vätska

1. Stoppa produkten, se *Stänga av produkten på sida 327*.
2. Koppla bort slangen från luftintaget genom att dra ut slangen.
3. Lossa spännena och lyft bort motorenheten. (Fig. 8)
4. Töm smutsbehållare genom att luta den bakåt och håll vätskorna i en brunn. *Endast handtag på vissa modeller. (Fig. 29)



OBSERVERA: Töm och rengör alltid smutsbehållaren och vätskesystemet efter uppsugning av

vätska. Sug inte upp vätska utan vätskesystemet och filter installerade i produkten.

5. Placera motorenheten på smutsbehållaren och lås spännena. (Fig. 12)

Tömma smutsbehållaren efter uppsugning av torrt material

1. Stoppa produkten, se *Stänga av produkten på sida 327*.
2. Lossa spännena och lyft bort motorenheten. (Fig. 8)
3. Kontrollera om filterpåsen är full.
4. Ta bort filterpåsen om den är full.



OBSERVERA: Sug inte upp torra material utan filtret och filterpåsen på plats.

5. Montera en ny filterpåse, se *Montera filterpåsen på sida 326*.

Notera: Produktens uppsugningseffektivitet beror på filtrets och filterpåsens dimension och kvalitet. Använd endast Husqvarna filter och filterpåsar.

6. Placera motorenheten på smutsbehållaren och lås spännena. (Fig. 12)

Rengöra filtret, filterrengöringssystem

Produkten har ett halvautomatiskt filterrengöringssystem. Använd filterrengöringssystemet regelbundet, senast när rengöringens prestanda inte längre är tillfredsställande. Regelbunden användning av filterrengöringssystemet förlänger filtrets livslängd.

1. Rengör filtret när uppsugningseffekten inte längre är tillräcklig. (Fig. 30)
2. Placera slangen i luftintaget på framsidan av produkten. (Fig. 16)
3. Anslut apparaten till elnätet.
4. Ställ huvudströmbrytaren i läge 1. (Fig. 17)
5. Placera handtaget i handen (A) för att suga i din hand.
6. Tryck på filterrengöringsknappen 3 gånger med handen (B). (Fig. 31)
7. Om sugeffekten inte räcker tar du bort filtret, se *Byte av luftfilter på sida 329*.
8. Skaka, borsta eller tvätta filtret för att rengöra det.
9. Låt filtret torka.
10. Installera filtret, se *Montera filterpåsen på sida 326*.

Rengöra produkten utvändigt

1. Stoppa produkten, se *Stänga av produkten på sida 327*.
2. Rengör produkten med en torr trasa och en liten mängd sprayrengöring.

Byte av luftfilter

Produkten är utformad för kontinuerligt tungt arbete. Beroende på antalet driftstimmar bör dammfiltret bytas ut.

1. Stoppa produkten, se *Stänga av produkten på sida 327*.
2. Lossa spännena och lyft bort motorenheten. (Fig. 8)
3. Vrid filterspänningen (A) moturs och dra ut den. Dra ut filtret (B). (Fig. 32)
4. Montera det nya filtret (A). Installera filterspänningen (B) och vrid den medurs. (Fig. 33)
5. Se till att filtret och filterspänningen är på plats. (Fig. 34)

6. Placera motorenheten på smutsbehållaren och lås spännena. (Fig. 12)

Byta filterpåsen

1. Stoppa produkten, se *Stänga av produkten på sida 327*.
2. Lossa spännena och lyft bort motorenheten. (Fig. 8)
3. Kontrollera om filterpåsen är full. Ta bort filterpåsen om den är full.
4. Dra ut kartongdelen av den gamla filterpåsen från luftintaget.
5. Lyft upp filterpåsen (A) och kassera den.
6. Placera den nya filterpåsen i smutsbehållaren (B).
7. Fäst kartongdelen av filterpåsen på luftintaget (C). Se till att gummimembranet passerar förbi luftintagets förhöjda del. (Fig. 35)
8. Placera motorenheten på smutsbehållaren och lås spännena. (Fig. 12)

Transport, förvaring och kassering

Transport och förvaring

- Efter användning:
 - Koppla bort enheten från elnätet när produkten inte används.
 - Linda ihop sladden med start från produkten.
 - Använd kabelhållaren och sätt fast sladden på motorenheten.
 - Linda upp slangen.
 - Använd slanghållaren och sätt fast slangen på motorenheten.
- Förflyttning:
 - Stäng alla spännen på motorenheten.
 - Luta inte produkten om det finns vätska i smutsbehållaren.
 - Använd inte en krankrok för att lyfta produkten.
- Förvaring:
 - Förvara produkten på en torr och frostfri plats.

Återvinna produkten

Följ de här stegen för att göra produkten oanvändbar.

1. Koppla bort kontakten från elnätet.
2. Klipp av strömsladden.
3. Kasta inte produkten som vanligt hushållsavfall.

Kassering (i enlighet med 2012/19/EG):

Produkten får inte slängas med vanligt hushållsavfall. Den måste kasseras i enlighet med lokala miljöregler.

Se till att produkten avyttras via din kommuns återvinningscentral.

(Fig. 5)

Tekniska data

Tekniska data

	EU/CH		SV		AU/NZ		USA
	WDC 220	WDC 325L	WDC 220	WDC 325L	WDC 220	WDC 325L	WDC 225
Spänning, V	220–240	220–240	220–240	220–240	220–240	220–240	110–120
Effekt _{del} , W	1 000	1 200	1 000	1 000	1 000	1 000	1 000
Ansluten belastning för apparatens uttag, W	–	2 400 /1 100	–	1 900	–	1 300	–
Frekvens, Hz	50/60				50–60		50/60
Säkring, A	10	16/10	13	13	10	10	15
Skyddsklass (fukt, damm)	IPX4						
Skyddsklass (elektrisk)	II (Fig. 4)	I	II (Fig. 4)	I	II (Fig. 4)	I	II (Fig. 4)
Luftvolymflöde, L/min	3 600	3 700	3 600	3 600	3 600	3 600	3 200
Luftvolymflöde, cfm	127	130	127	127	127	127	113
Vakuum, mbar	210	235	210	210	210	210	210
Ljudtrycksnivå vid 1 m, EN 60704-1, dB(A) +/- 2	72						
Vibration ISO 5349, m/s ² +/- 1	< 1,5						
Vikt, kg	7,5	8,5	7,5	8,5	7,5	8,5	7,5
Bredd, mm	377	376	377	376	377	376	377
Djup, mm	385	392	385	392	385	392	392
Höjd, mm	506	533	506	530	506	530	550

EG-försäkran om överensstämmelse

EG-försäkran om överensstämmelse

Husqvarna AB, 561 82 Huskvarna, Sverige, tel:
+46-36-146500, försäkrar att **-dammsugaren Husqvarna
WDC 220, 3325L** uppfyller kraven i RÅDETS DIREKTIV:

- av den 17 maj 2006 "angående maskiner"
2006/42/EG
- av den 26 februari 2014 "angående elektromagnetisk
kompatibilitet" **2014/30/EU**

Följande standarder har tillämpats:

**EN 60335-1:2012+A11:2014, EN 60335-2-69:2012, EN
55014-1:2006+A1:2009+A2:2011, EN 55014-2:2015,
EN 61000-3-2:2014, EN 61000-3-3:2013**

Om inte annat anges är ovan angivna standarder de
senast offentliggjorda versionerna.

Huskvarna, 2018-08-01



Cornelia Ekbladh, produktionsledningschef

İçindekiler

Giriş.....	332	Bakım.....	339
Güvenlik.....	333	Taşıma, depolama ve atma.....	340
Montaj.....	337	Teknik veriler.....	341
Çalışma.....	338	AT Uyumluluk Bildirimi.....	342

Giriş

Ürün açıklaması

Bu ürün ticari kullanıma yönelik olarak tasarlanan çok amaçlı bir elektrikli süpürge dir.

Kullanım amacı

Ürünü yanıcı olmayan kuru toz ve sıvıların temizliğinde kullanın.

Ürüne genel bakış WDC 220, WDC 225

(Şek. 1)

1. Ana şalter
2. Filtre temizleme sistemi
3. Vakum girişi
4. Tekerlekler
5. Kablo tutucu, Hortum tutucu
6. Filtre torbası

Ürüne genel bakış WDC 325L

(Şek. 2)

1. Ana şalter
2. Filtre temizleme sistemi
3. Vakum girişi
4. Tekerlekler
5. Kablo tutucu, Hortum tutucu
6. Filtre torbası
7. Uç
8. Tutma yeri
9. Zemin ucu
10. Dar aralık ucu
11. Kullanım kılavuzu
12. Uzatma borusu
13. Hortum
14. Elektrikli alet adaptörü
15. Elektrikli alet için elektrik bağlantısı
16. Alet kutusu

Ürün üzerindeki semboller

(Şek. 3) Kullanım kılavuzunu dikkatle okuyun ve kullanımdan önce talimatları anladığınızdan emin olun.

(Şek. 4) Ünite de çift yalıtım bulunmaktadır.

Güvenlik talimatlarını ve kullanım kılavuzunu okuyun ve bunlara uyun.

Ürün üzerinde sadece üretici tarafından belirtilen bakım ve onarım işlemlerini yapın.

Üretici yanlış kullanım, yanlış bakım veya yanlış onarım sonucu ortaya çıkan hasarlarla ilgili hiçbir yükümlülük kabul etmez.

7. Uç
8. Kol
9. Zemin ucu
10. Dar aralık ucu
11. Kullanım kılavuzu
12. Uzatma borusu
13. Hortum

(Şek. 5) Üniteyi evsel atıklarla birlikte atmayın. Yerel düzenlemelere uyun.

(Şek. 6) Ürün, geçerli AT direktiflerine uygundur.

Not: Ürünün üzerindeki diğer semboller/etiketler, diğer ticari alanların sertifikalandırma gereklilikleri ile ilgilidir.

Toz Sınıfı L

(Şek. 7)

Toz Sınıfı L için belirtilen güvenlik önerilerine ve önlemlerine uyun.

Ürün sorumluluğu

Ürün sorumluluğu yasalarında belirtildiği üzere;

- ürünün hatalı bir şekilde onarılması,
- ürünün, üretici tarafından onaylanmayan veya üreticiden alınmayan parçalarla tamir edilmesi,
- üründe, üreticiden alınmayan veya üretici tarafından onaylanmayan bir aksesuar bulunması,
- ve ürünün, onaylı bir servis merkezinde veya yetkili bir kurum tarafından tamir edilmemesi durumunda oluşabilecek hasarlardan sorumlu değildir.

Güvenlik

Güvenlik tanımları

Kılavuzdaki önemli kısımları vurgulamak için uyarılar ve notlar kullanılmıştır.



UYARI: Kılavuzdaki talimatlara uyulmadığı takdirde operatör veya çevredeki kişiler için ciddi yaralanma veya ölüm tehlikesi varsa kullanılır.



DİKKAT: Kılavuzdaki talimatlara uyulmadığı takdirde ürünün, diğer malzemelerin veya çevrenin zarar görme riski olduğunda kullanılır.

Not: Belirli bir durumda bilgi verilmesi gerektiğinde kullanılır.

Genel güvenlik talimatları



UYARI: Ürünü kullanmadan önce aşağıdaki uyarı talimatlarını okuyun.

- Ürünle oynamalarını sağlamak için çocuklar gözetim altında tutulmalıdır.
- Tehlikeli çalışma prosedürleri uygulamayın.
- Filtreler doğru konumda değilse ürünü kullanmayın.
- Aşağıdaki durumlarda ürünü durdurun ve fişini çekin:
 - Temizlik ve bakım öncesi.
 - Onarım öncesi.
 - Yerde köpük veya sıvı varsa.
- Ürün elektriğe bağlıyken ürünün yanından ayrılmayın. Kullanılmadığı zamanlarda ve bakım öncesinde fişini çekin.
- Kablo veya fiş hasarlıysa ürünü kullanmayın. Fişi çıkarmak için kablodan değil, fişten tutun. Fişi veya ürünü ıslak elle tutmayın. Fişi çıkarmadan önce tüm kontrolleri sıfırlayın.
- Ürünü kablodan tutarak çekmeyin. Kabloyu tutma yeri olarak kullanmayın. Kablonun üzerine kapı kapatmayın veya kabloyu keskin kenar ve köşelerin çevresinden çekmeyin. Ürünü kablonun üzerinden geçirmeyin. Kabloyu sıcak yüzeylerden uzak tutun.
- Ürün ve/veya bir aksesuar hasar görürse yetkili servis merkezi tarafından onarılmalıdır. Hasarlı ürünü kullanmayın.
- Ürünü, bir çocuğun kullanmasına izin vermeyin. Talimatlar hakkında bilgisi olmayan birinin ürünü çalıştırmasına veya ürün üzerinde bakım işlemi yapmasına izin vermeyin.
- Ürün sadece gözetim altında kullanılmalıdır.
- Fiziksel veya zihinsel kapasitesi düşük olan bir kişi ürünü kullanırken daima gözetim altında tutun.

- Saçlarınızı, sarkan giysilerinizi, parmaklarınızı ve vücudunuzun diğer bölümlerini açıklıklara ve hareketli parçalara yaklaştırmayın. Açıklıkların içine bir nesne koymayın veya açıklık engellenmiş haldeyken ürünü kullanmayın. Açıklıklarda toz, tüy, saç ve hava akışını azaltabilecek hiçbir şey bulunmamasını sağlayın.
- WDC 220, WDC 225 ürününü tehlikeli tozları süpürmek için kullanmayın.
- Benzin gibi yanıcı maddeleri elektrikli süpürgeyle çekmeyin. Ürünü bu tür maddelerin bulunabileceği yerlerde kullanmayın.
- Sigara, kibrit veya sıcak kül gibi yanan ya da duman çıkan herhangi bir şeyi elektrikli süpürgeyle çekmeyin.
- Merdivenleri temizlerken dikkatli olun.
- Ürün köpük veya sıvıya temas ettiğinde ürünü derhal durdurun.
- Ürünü su pompası olarak kullanmayın.
- Ürünü doğru şekilde topraklanmış bir prize bağlayın. Prizde ve uzatma kablosunda çalışır durumda bir koruyucu iletken bulunmalıdır (sadece çift yalıtım bulunmayan ürünler için geçerlidir).
- Ürünü kullandığınız yerde iyi hava akışı olmasını sağlayın.
- Ürünü merdiven olarak kullanmayın.
- Toz gidericiler kullanılırken elektrikli süpürgeден çıkan atık hava odaya üfleniyorsa odanın içindeki hava değişim oranı yeterli olmalıdır. Kullanım öncesinde ulusal düzenlemelere uyun.
- Toz Sınıfı L ürünleri, WDC 325L için kullanım öncesinde kullanıcıya aşağıdaki bilgileri verin ve bu konularda eğitin:
 - Ürünün kullanımı.
 - Temizlenecek maddelerle ilgili riskler.
 - Temizlenen maddelerin güvenli şekilde atılması.
- Toz Sınıfı L ürünleri, WDC 325L için aşağıdakiler geçerlidir:
 - Ürünü yanıcı olmayan kuru toz ve sıvıların ve OEL¹⁾ değeri > 1 mg/m³ olan tehlikeli tozların temizliğinde kullanın. Toz Sınıfı L (IEC 60335-2-69). Bu sınıfa ait tozların OEL¹⁾ değerleri > 1 mg/m³tür.

- Toz Sınıfı L için kullanılan ürünlerde test edilmiş filtre malzemesi bulunur. İzin verilen maksimum geçirgenlik %1'dir. Atma işlemi için özel bir gereklilik yoktur.

Not: Yerel yasalara başvurun. Bu yasalarda kullanıcı yaşı konusunda bir düzenleme olabilir.

Çift yalıtımlı ürünlerin güvenliği



UYARI: Ürünü sadece bu kılavuzda açıklanan şekilde ve üretici tarafından önerilen aksesuarlarla birlikte kullanın.



UYARI: Sadece İngiltere için geçerli bölüm: Bu önemli talimatları okuyun. Bu talimatlar güvenlik ve verimlilik konusu ön planda olacak şekilde düzenlenmiştir. Kullanıcının yetkili bir eğitmen tarafından eğitilmiş ve buradaki kullanma talimatlarını anlamış olması gerekir. Kullanıcının kullanım zamanı itibarıyla yürürlükte olan ilgili tüm düzenlemeleri ve yönetmelikleri bilmesi gerekir.



UYARI: Ürün bağlantısını yapmadan önce: Güç kaynağından gelen şebeke voltajının ve şebeke frekansının, ıslak/kuru elektrikli süpürge için nominal değerler plakasındaki verilerle eşleştiğinden emin olun.



UYARI: Bu üründe çift yalıtım kullanılmıştır. Sadece Husqvarna yedek parçalarını kullanın. Çift yalıtımlı ürünlerde servis işlemlerinin yapılmasına dair talimatlara bakın.



UYARI: Bu üründe özel bir kablo bulunur. Kablo hasar görürse aynı tür kabloyla değiştirilmesi gerekir. Yetkili servis merkezlerinde ve bayilerde bulunan bu parçanın yetkili personel tarafından takılması gerekir.



UYARI: Çift yalıtımlı ürün üzerinde servis işlemi yapmak için sistem hakkında bilgi sahibi olunması gerekir. Çift yalıtımlı ürünlerde topraklama yerine iki

yalıtım sistemi bulunur. Çift yalıtımlı ürünlerde topraklama cihazı bulunmaz ve cihaza topraklama cihazı eklenmemelidir. Servis işleminin yetkili servis personeli tarafından yapılması gerekir. Çift yalıtımlı bir ürünün değişen parçaları, yerine takıldıkları parçalarla aynı olmalıdır. Çift yalıtımlı bir ürünün üzerinde "DOUBLE INSULATION" (ÇİFT YALITIM) veya "DOUBLE INSULATED" (ÇİFT YALITIMLI) yazar. Ürün üzerinde bir simge de yer alabilir.

Elektrik güvenliği

- Elektrikli süpürge için kaçak akım devre kesicisine bağlanması önerilir.
- Elektrikli parçaları (prizler, fişler ve bağlantılar) organize edin ve uzatma kablosunu koruma sınıfı sürdürülecek şekilde takın.
- Güç kaynağı kablolarının ve uzatma kablosunun konektörleri ve bağlantıları su geçirmez olmalıdır.

Uzatma kablosu

- Uzatma kablosu olarak sadece üretici tarafından belirtilen kablo versiyonunu veya daha iyisini kullanın.
- Uzatma kablosu kullanırken kablunun minimum kesitlerini kontrol edin:

Kablo uzunluğu	Kablo kesiti	
	< 16 A	< 25 A
< 20 m	1,5 mm ²	2,5 mm ²
20-50 m	2,5 mm ²	4,0 mm ²



UYARI: Elektrikli süpürge için üst kısmında elektrikli parçalar bulunur. Elektrikli parçalarla temas etme sonucunda ciddi veya ölümcül yaralanmalar meydana gelir.

- Elektrikli süpürge için üst kısmına asla su püskürtmeyin.



UYARI: Arızalı elektrik kablosundan kaynaklanan

elektrik çarpması. Arızalı elektrik kablosuna temas etme sonucunda ciddi veya ölümcül yaralanmalar meydana gelir.

- Bir cihazı bağlamadan önce daima ürünü ve bağlanacak cihazı durdurun.
- Bağlanacak cihazın çalıştırma talimatlarını okuyun ve bu talimatlarda verilen güvenlik açıklamalarına dikkat edin.



DİKKAT: Uygun olmayan şebeke geriliminden kaynaklanan hasar. Cihaz uygun olmayan bir şebeke gerilimine bağlanırsa hasar görebilir.

- Elektrik kablosuna (örneğin üzerinden geçerek, çekerek veya ezerek) hasar vermeyin.
- Elektrik kablosunun hasarlı olup olmadığını veya yıpranma belirtisi gösterip göstermediğini düzenli olarak kontrol edin.
- Kablo hasarlıysa tehlikeleri önlemek için yetkili Husqvarna distribütörü veya benzeri bir uzman tarafından değiştirilmelidir.
- Hiçbir koşulda elektrik kablosu kullanıcının parmaklarına veya vücudunun başka bir bölümüne sarılmamalıdır.

- Güç kaynağından gelen şebeke voltajının ve şebeke frekansının, ıslak/kuru elektrikli süpürge için nominal değerler plakasındaki verilerle eşleştiğinden emin olun.

Kullanım için güvenlik talimatları

Sıvıların temizlenmesi



DİKKAT: Yanıcı sıvıları temizlemeyin.

- Sıvıları temizlemeye başlamadan önce filtre torbasını çıkarın. Şamandıranın veya su seviyesi sınırlama işlevinin doğru çalıştığından emin olun.
- Özel bir filtre elemanı veya filtre süzgeci kullanın.
- Üründen köpük çıkarsa çalışmayı derhal durdurun ve tankı boşaltın.

Tehlikeli maddeler



UYARI: Tehlikeli maddeleri temizlemeyin. Yaralanmalara neden olabilir.

- Aşağıdaki maddeleri temizlemeyin:
 - tehlikeli toz
 - sıcak maddeler; örneğin yanan sigaralar ve sıcak kül.



DİKKAT: Cihaz prizi (sadece belirli modellerde bulunur) sadece çalıştırma talimatlarında belirtilen amaçlar için tasarlanmıştır. Farklı cihazların bağlanması sonucunda hasar oluşabilir.

- yanıcı, patlayıcı, aşındırıcı sıvılar; örneğin benzin, solventler, asitler ve alkaliler.
- yanıcı, patlayıcı tozlar; örneğin magnezyum veya alüminyum tozu.

oluşturabilecek sıvı, gaz veya dumanın yanında kullanmayın.

Yedek parça ve aksesuarlar



DİKKAT: Ürünün güvenliği için sadece yedek parça ve aksesuarlarını kullanın.

- Sadece Husqvarna tarafından sağlanan yedek parça ve aksesuarları kullanın.
- Sadece ürünle birlikte verilen veya kullanım kılavuzunda belirtilen fırçaları kullanın.

Patlayıcı veya yanıcı ortamlar



DİKKAT: Ürünü patlayıcı veya yanıcı ortamlarda kullanmayın. Ürünü yanıcı ortam

Üfleyci işlevi



UYARI: Toz, sağlık sorunlarına yol açabilir. Üründe bir üfleyci işlevi vardır. Çıkan havayı kapalı alanlarda rastgele üfleme. Üfleyci işlevini sadece temiz bir hortumla kullanın.

Bakım için güvenlik talimatları



UYARI: Ürün üzerinde bakım yapmadan önce tüm uyarı talimatlarını okuyun.

Kir kabının boşaltılması



DİKKAT: Temizlenen maddeler çevre açısından tehlikeli olabilir. Kirleri yerel yönetmeliklere uygun olarak atın.

Montaj



UYARI: Ürünü monte etmeden önce güvenlik bölümünü okuyup anlayın.

Kurulum öncesinde yapılması gerekenler

1. Çengellerin kilidini açın ve motor ünitesini kaldırıp çıkarın. (Şek. 8)
2. Aksesuarları kir kabından çıkarın. (Şek. 9)
3. Tüm parçaların yerinde olduğundan emin olun. Ürüne genel bakış bölümüne bakın. Gereken aletler: Tornavida.

Filtre torbasını takmak için

1. Ana şalteri "0" konumuna getirin.
2. Ürünün fişini çekin. (Şek. 10)
3. Çengellerin kilidini açın ve motor ünitesini kaldırıp çıkarın. (Şek. 8)
4. Filtre torbasını kir kabına yerleştirin.
5. Filtre torbasının karton kısmını vakum girişine bağlayın. Lastik membranın vakum girişindeki kalın tırnağı geçecek şekilde takıldığından emin olun. (Şek. 11)
6. Motor ünitesini kir kabının üstüne yerleştirin ve çengelleri kilitleyin. (Şek. 12)

Aksesuarların takılması

1. Kolay erişim için aksesuarları yerine koyun. (Şek. 13)
2. Alet kutusunu ürünün arkasına bağlayın. (Şek. 14)
3. Kablo tutucusunu ve hortumu ürünün arkasına bağlayın. (Şek. 15)

Hortumun takılması

1. Hortumu ürünün ön tarafındaki vakum girişine takın. (Şek. 16)
2. Cihazı prize bağlayın.
3. Ana şalteri "I" konumuna getirin. (Şek. 17)
4. Emme gücünü tutma yeri üzerinde veya ana şalterden* ayarlayın. *Sadece belirli modellerde. (Şek. 18)

Boru tutucunun takılması

1. Boru tutucuyu uzatma borusunun üzerinde dikey olarak hareket ettirin.
2. Bir tornavida kullanarak boru tutucuyu uzatma borusunun üzerinde doğru yüksekliğe takın. (Şek. 19)
3. Uzatma borusunu ürünün arkasında bulunan tutucuların üzerine koyun. (Şek. 20)

Çalışma

Giriş



UYARI: Ürünü kullanmadan önce güvenlik bölümünü okuyup anlamalısınız.

Ürünü çalıştırma

Ürünü kullanmadan önce nominal değerler plakasında gösterilen frekans ve gerilimin şebeke gerilimiyle aynı olduğundan emin olun.

1. Ana şalterin "0" konumunda olduğundan emin olun. (Şek. 10)
2. Üründe doğru filtrelerin bulunduğundan emin olun.
3. Hortumu ürünün ön tarafındaki vakum girişine takın. Hortumu, vakum girişindeki yerine tam oturana kadar öne bastırın. (Şek. 16)
4. İki uzatma borusunu tutucuya bağlayın. Uzatma borularını döndürerek yerlerine tam oturduklarından emin olun.
5. Uzatma borusuna bir uç takın. Ucu, temizlenecek malzemenin türüne göre seçin.
6. Fişi prize bağlayın.
7. Ürünü çalıştırmak için ana şalteri "I" konumuna getirin. (Şek. 17)

Ürünü durdurma

1. Ürünü durdurmak için ana şalteri "0" konumuna getirin.
2. Ürünün fişini prizden çıkarın. (Şek. 10)

Üfleme işlevinin kullanılması

1. Hortumu ürünün arka tarafındaki açıklığa takın. (Şek. 21)
2. Fişi prize bağlayın.
3. Ana şalteri "I" konumuna getirin. (Şek. 17)
4. Üfleme gücünü tutma yeri üzerinde veya ana şalterden* ayarlayın. *Sadece belirli modellerde. (Şek. 22)

Elektrikli alet soketinin kullanılması*

*Sadece belirli modellerde.



DİKKAT: Elektrikli alet soketine bağlanan cihazların çalıştırma talimatlarına ve güvenlik talimatlarına uyun.

Not: Bağlanan aletin maksimum güç tüketimi *Teknik veriler sayfada: 341* bölümünde açıklanmıştır.

1. Elektrikli alet şalterinin "0" konumunda olduğundan emin olun. (Şek. 23)
2. Tutucuyu hortumdan ayırın. Hortumun ucundaki (A) kapaklara bastırın ve tutucuyu (B) dışarı çekin. (Şek. 24)
3. Elektrikli alet adaptörünü bağlayın. (Şek. 25)
4. Emme gücünü elektrikli alet adaptörü üzerinde veya ana şalterden* ayarlayın. *Sadece belirli modellerde. (Şek. 26)
5. Hortumu ürünün vakum girişine ve elektrikli alete bağlayın. Elektrikli aletin kablосunu ürünün elektrik bağlantısına takın. (Şek. 27)
6. Elektrikli alet şalterinin "0" konumunda olduğundan emin olun. (Şek. 23)
7. Ürünün elektrikli alet ana şalterini (A) konumuna getirin.
8. Elektrikli aletin şalterini "I" (B) konumuna getirin. (Şek. 28)

Not: Ürünü çalıştırmak ve durdurmak için üründeki (A) veya elektrikli alettaki (B) ana şalteri kullanabilirsiniz.

Sıvıların temizlenmesi

Not: Üründe, maksimum sıvı seviyesine ulaşıldığında ürüne giden hava akışını durduran bir şamandıra sistemi vardır.



DİKKAT: Şamandıra sistemi yerinde değilken sıvı temizliği yapmayın.

1. Filtrenin ve filtre gerdiricinin (şamandıra sistemi) yerine takılı olduğundan emin olun; bkz. *Filtrenin değiştirilmesi sayfada: 340*. Takılıysa filtre torbasını çıkarın.
2. Sıvıyı temizlemek için zemin ucunu kullanın.
3. Maksimum sıvı seviyesine ulaşıldığında motor sesinde belirgin bir değişim hissedilir. Emme gücü düşer.
4. Ürünü durdurun; bkz. *Ürünü durdurma sayfada: 338*.
5. Kir kabını boşaltın; bkz. *Sıvı temizleme sonrası kir kabının boşaltılması sayfada: 339*.

Bakım

Giriş

sistemi ve filtre ürüne takılı değilse sıvı temizleme yapmayın.



UYARI: Bakım yapmadan önce güvenli bölüğünü okuyup anlamanız gerekir.

Ürüne uygulanacak tüm servis ve onarım işlemleri için özel eğitim gereklidir. Profesyonel onarım ve servis hizmetlerinin mevcut bulunduğunu garanti etmekteyiz. Yetkili satıcınız servis noktası değilse kendisiyle görüşüp en yakınınızdaki servis noktası hakkında bilgi edinin.

Düzenli servis ve kontrol

- Ürünün düzenli servis ve kontrolü uzman personel tarafından ilgili yönetmelik ve düzenlemelere uygun olarak yapılmalıdır.
- Toprak sürekliliği, yalıtım direnci ve esnek kablolu durumu ile ilgili elektrik testleri sık sık yapılmalıdır.
- Bir kusur bulunursa ürün **mutlaka** kullanımdan kaldırılmalı ve yetkili servis teknisyeni tarafından onarılmalıdır.

Toz Sınıfı L ürünlerinin bakımı

Toz Sınıfı L ürünleri, WDC 325L için aşağıdakiler geçerlidir.

- Bakım ve temizlik sırasında ürünü bakım personeli veya diğer kişiler açısından güvenli bir şekilde kullanın.
- Bakım alanında:
 - Filtrelenmiş zorunlu hava akışını kullanın.
 - Koruyucu kıyafet giyin.
 - Diğer alanlara zararlı maddelerin geçişini önlemek için bakım alanını temizleyin.
- Bakım ve onarım sırasında parçalar tatmin edici şekilde temizlenmiyorsa:
 - Parçaları doğru şekilde kapatılmış torbalara koyun.
 - Parçaları yerel yönetmeliklere uygun olarak atın.

Sıvı temizleme sonrası kir kabının boşaltılması

1. Ürünü durdurun; bkz. *Ürünü durdurma sayfada: 338*.
2. Hortumu dışarı çekerek vakum girişinden ayırın.
3. Çengellerin kilidini açın ve motor ünitesini kaldırıp çıkarın. (Şek. 8)
4. Kir kabını arkaya yatırarak boşaltın ve sıvıları zemin drenajına akıtın. * Tutma yeri sadece belirli modellerde bulunur. (Şek. 29)



DİKKAT: Sıvı temizleme sonrasında daima kir kabını ve şamandıra sistemini boşaltın ve temizleyin. Şamandıra

5. Motor ünitesini kir kabının üstüne yerleştirin ve çengelleri kilitleyin. (Şek. 12)

Kuru kir temizleme sonrası kir kabının boşaltılması

1. Ürünü durdurun; bkz. *Ürünü durdurma sayfada: 338*.
2. Çengellerin kilidini açın ve motor ünitesini kaldırıp çıkarın. (Şek. 8)
3. Filtre torbasının dolu olup olmadığını kontrol edin.
4. Doluysa filtre torbasını çıkarın.



DİKKAT: Filtre ve filtre torbası takılı değilse kuru kir temizliği yapmayın.

5. Yeni bir filtre torbası takın; bkz. *Filtre torbasını takmak için sayfada: 337*.

Not: Ürünün emme verimliliği filtrenin ve filtre torbasının boyutuna ve kalitesine bağlıdır. Sadece Husqvarna filtrelerini ve filtre torbalarını kullanın.

6. Motor ünitesini kir kabının üstüne yerleştirin ve çengelleri kilitleyin. (Şek. 12)

Filtrenin temizlenmesi, filtre temizleme sistemi

Üründe yarı otomatik bir filtre temizleme sistemi vardır. Filtre temizleme sistemini düzenli aralıklarla ve en geç temizlik performansı yetersiz hale geldiğinde kullanın. Filtre temizleme sistemini düzenli kullanmak filtrenin kullanım ömrünü uzatır.

1. Emme gücü yetersiz hale geldiğinde filtreyi temizleyin. (Şek. 30)
2. Hortumu ürünün ön tarafındaki vakum girişine takın. (Şek. 16)
3. Cihazı prize bağlayın.
4. Ana şalteri "I" konumuna getirin. (Şek. 17)
5. Elinizden emme yapması için tutma yerini elinize (A) koyun.
6. Filtre temizleme düğmesine yumruğunuzla 3 kez vurun (B). (Şek. 31)
7. Emme gücü yeterli değilse filtreyi çıkarın, bkz. *Filtrenin değiştirilmesi sayfada: 340*.
8. Filtreyi sallayarak, fırçalayarak veya yıkayarak temizleyin.
9. Filtreyi kurumaya bırakın.
10. Filtreyi takın; bkz. *Filtre torbasını takmak için sayfada: 337*.

Ürünün dış kısmını temizleme

1. Ürünü durdurun; bkz. *Ürünü durdurma sayfada: 338*.
2. Ürünü kuru bir bezle ve az miktarda cila püskürterek temizleyin.

Filtrenin değiştirilmesi

Ürün, ağır işlerde sürekli kullanılacak şekilde tasarlanmıştır. Çalışma süresine bağlı olarak toz filtresini değiştirmek gerekir.

1. Ürünü durdurun; bkz. *Ürünü durdurma sayfada: 338*.
2. Çengellerin kilidini açın ve motor ünitesini kaldırıp çıkarın. (Şek. 8)
3. Filtre gerdirciyi (A) saat yönünün tersine çevirin ve dışarı çekin. Filtreyi (B) dışarı çekin. (Şek. 32)
4. Yeni filtreyi (A) takın. Filtre gerdirciyi (B) takın ve saat yönünde çevirin. (Şek. 33)
5. Filtrenin ve filtre gerdircinin yerlerine takıldığından emin olun. (Şek. 34)

6. Motor ünitesini kir kabının üstüne yerleştirin ve çengelleri kilitleyin. (Şek. 12)

Filtre torbasını değiştirmek için

1. Ürünü durdurun; bkz. *Ürünü durdurma sayfada: 338*.
2. Çengellerin kilidini açın ve motor ünitesini kaldırıp çıkarın. (Şek. 8)
3. Filtre torbasının dolu olup olmadığını kontrol edin. Doluysa filtre torbasını çıkarın.
4. Eski filtre torbasının karton kısmını vakum girişinden çekin.
5. Filtre torbasını (A) kaldırın ve atın.
6. Yeni filtre torbasını kir kabına (B) yerleştirin.
7. Filtre torbasının karton kısmını vakum girişine (C) bağlayın. Lastik membranın vakum girişindeki kalın tırnağı geçecek şekilde takıldığından emin olun. (Şek. 35)
8. Motor ünitesini kir kabının üstüne yerleştirin ve çengelleri kilitleyin. (Şek. 12)

Taşıma, depolama ve atma

Taşıma ve saklama

- Kullanım sonrası:
 - Ürün kullanılmadığı zamanlarda fişini prizden çıkarın.
 - Ürün tarafından başlayarak kabloyu sarın.
 - Kablo tutucuyu kullanarak kabloyu motor ünitesine bağlayın.
 - Hortumu sarın.
 - Hortum tutucuyu kullanarak hortumu motor ünitesine bağlayın.
- Taşıma:
 - Motor ünitesinin tüm çengellerini kapatın.
 - Kir kabında sıvı varsa ürünü yatırmayın.
 - Ürünü kaldırmak için vinç kancası kullanmayın.
- Saklama:
 - Ürünü kuru ve donmayan bir yerde tutun.

Ürünün geri dönüşümü

Ürünü kullanımdan kaldırmak için aşağıdaki adımları uygulayın.

1. Ürünün fişini prizden çıkarın.
2. Elektrik kablosunu kesin.
3. Ürünü evsel atık olarak atmayın.

Bertaraf (2012/19/AT'ye göre):

Ürün, normal evsel atıklara dahil edilmemelidir. Yerel çevre düzenlemelerine uygun şekilde atılmalıdır.

Ürünün, belediyenizin geri dönüşüm toplama merkezi aracılığıyla atıldığından emin olun.

(Şek. 5)

Teknik veriler

Teknik veriler

	AB/CH		GB		AU/NZ		ABD
	WDC 220	WDC 325L	WDC 220	WDC 325L	WDC 220	WDC 325L	WDC 225
Voltaj, V	220-240	220-240	220-240	220-240	220-240	220-240	110-120
Güç P _{iec} , W	1000	1200	1000	1000	1000	1000	1000
Cihaz soketi için bağlı haldeki güç, W	-	2400 /1100	-	1900	-	1300	-
Frekans, Hz	50/60				50-60		50/60
Sigorta, A	10	16/10	13	13	10	10	15
Koruma sınıfı (nem, toz)	IPX4						
Koruma sınıfı (elektriksel)	II (Şek. 4)	I	II (Şek. 4)	I	II (Şek. 4)	I	II (Şek. 4)
Hava akış hacmi, l/dk	3600	3700	3600	3600	3600	3600	3200
Hava akış hacmi, cfm	127	130	127	127	127	127	113
Vakum, mbar	210	235	210	210	210	210	210
1 m'de ses basıncı seviyesi, EN 60704-1, dB(A) +/- 2	72						
Titreşim ISO 5349, m/sn ² +/- 1	< 1,5						
Ağırlık, kg	7,5	8,5	7,5	8,5	7,5	8,5	7,5
Genişlik, mm	377	376	377	376	377	376	377
Derinlik, mm	385	392	385	392	385	392	392
Yükseklik, mm	506	533	506	530	506	530	550

AT Uyumluluk Bildirimi

AT Uyumluluk Bildirimi

Husqvarna AB, SE-561 82 Huskvarna, İsveç, tel.: +46-36-146500, **Husqvarna WDC 220, 3325L** elektrikli süpürgesinin aşağıdaki KONSEY DİREKTİFLERİ'nin gerekliliklerine uygun olduğunu beyan eder:

- 17 Mayıs 2006 tarihli ve **2006/42/AT** sayılı "makinelere ilgili" direktif
- 26 Şubat 2014 tarihli ve **2014/30/AB** sayılı "elektromanyetik uyumlulukla ilgili" direktif

Aşağıdaki standartlar uygulanmıştır:

EN 60335-1:2012+A11:2014, EN 60335-2-69:2012, EN 55014-1:2006+A1:2009+A2:2011, EN 55014-2:2015, EN 61000-3-2:2014, EN 61000-3-3:2013

Başka şekilde belirtilmemişse yukarıda listelenen standartlar en son yayınlanan sürümlerdir.

Huskvarna, 2018-08-01



Cornelia Ekbladh, Ürün Yönetimi Direktörü

Türk ithalat şirketi daha fazla bilgi için temas edilecek:

ÇULLAS ORMAN BAHÇE VE TARIM MAKİNELERİ SAN.

TİC.LTD.ST:

SUADIYE MAHALLESİ BAGDAT CADDESİ NO:455/3

KADIKOY / İSTANBUL / TÜRKİYE

+90 216 519 88 82

MAHMUT GUNAY GURCAY

mgg@cullas.com.tr



Зміст

Вступ.....	343	ТЕХНІЧНЕ ОБСЛУГОВУВАННЯ.....	351
Безпека.....	344	Транспортування, зберігання й утилізація.....	353
Збирання.....	349	Технічні дані.....	354
Експлуатація.....	350	Декларація відповідності ЄС.....	355

Вступ

Опис виробу

Цей виріб є універсальним пирососом, який призначено для комерційного використання.

Правильне використання

Цей виріб слід використовувати для збирання сухого незаймистого пилу й рідин.

Прочитайте всі правила техніки безпеки, посібник користувача й дотримуйтесь наведених у них інструкцій.

Огляд виробу WDC 220, WDC 225

(Мал. 1)

1. Головний перемикач
2. Система очищення фільтра
3. Впускний отвір
4. Колеса
5. Тримач кабелю, тримач шланга
6. Мішковий фільтр

Користувачеві дозволяється самостійно виконувати лише операції з технічного обслуговування й ремонту, зазначені виробником.

Виробник не несе відповідальності за пошкодження через неправильне використання, обслуговування або ремонт.

7. Насадка
8. Ручка
9. Насадка для чищення підлоги
10. Насадка для чищення в щілинах
11. Посібник користувача
12. Подовжувальна трубка
13. Шланг

Огляд виробу WDC 325L

(Мал. 2)

1. Головний перемикач
2. Система очищення фільтра
3. Впускний отвір
4. Колеса
5. Тримач кабелю, тримач шланга
6. Мішковий фільтр
7. Насадка
8. Ручка
9. Насадка для чищення підлоги
10. Насадка для чищення в щілинах
11. Посібник користувача
12. Подовжувальна трубка
13. Шланг
14. Адаптер для електроінструмента
15. Електричне з'єднання для електроінструмента
16. Ящик для інструментів

переконайтеся, що ви зрозуміли всі вказівки.

(Мал. 4) Пристрій має подвійну ізоляцію.

(Мал. 5) Не утилізуйте пристрій разом із побутовим сміттям. Дотримуйтеся місцевих норм.

(Мал. 6) Виріб відповідає належним вимогам директив ЄС.

Зверніть увагу: Інші позначення на виробі відповідають вимогам спеціальних сертифікатів для інших торгових зон.

Пил класу L

(Мал. 7)

Дотримуйтеся рекомендацій із безпеки й супутніх заходів щодо пилу класу L.

Символи на виробі

(Мал. 3) Перед користуванням виробом уважно прочитайте посібник користувача й

Відповідальність за якість продукції

Згідно із законом про відповідальність за якість продукції ми не несемо відповідальності за будь-які пошкодження, спричинені роботою наших виробів, якщо:

- виріб було неправильно відремонтовано;
- виріб було відремонтовано із використанням деталей, виготовлених не виробником або не затверджених ним;

- виріб обладнано аксесуаром, виготовленим не виробником або не затвердженим ним;
- виріб було відремонтовано в неавторизованому сервісному центрі або неавторизованою компанією;

Безпека

Визначення щодо безпеки

Попередження, застереження й примітки служать для наголошення на особливо важливих положеннях посібника.



ПОПЕРЕДЖЕННЯ: Вказує на те, що в разі порушення інструкцій, наведених у цьому посібнику, існує небезпека поранення або смерті оператора чи інших осіб, що знаходяться поруч.



УВАГА: Вказує на те, що в разі порушення інструкцій, наведених у цьому посібнику, існує небезпека пошкодження виробу, інших матеріалів або навколишніх об'єктів.

Зверніть увагу: Використовується для надання додаткової інформації щодо певної ситуації.

Загальні правила техніки безпеки



ПОПЕРЕДЖЕННЯ: Перш ніж розпочати використання виробу, уважно прочитайте наведені нижче попередження.

- Ремонт пошкодженого виробу й/або аксесуара має виконуватися в офіційному сервісному центрі. Не користуйтеся пошкодженим виробом.
- Не давайте використовувати прилад дітям. Не дозволяйте використовувати виріб або виконувати його технічне обслуговування особам, що не ознайомилися з інструкціями.
- Цей виріб слід використовувати лише під наглядом.
- Завжди спостерігайте за особами з обмеженими фізичними чи розумовими можливостями, що використовують виріб.
- Слід наглядати за дітьми, щоб бути впевненим у тому, що вони не граються із цим виробом.
- Не виконуйте небезпечні робочі процедури.
- Не використовуйте виріб, якщо фільтри встановлено неправильно.
- У вказаних далі випадках слід зупинити виріб і вийняти штепсель із розетки.
- Перед початком очищення й технічного обслуговування.

- Перед початком ремонту.
- Якщо на ділянці є піна або рідина.
- Не відходьте далеко від під'єданого до мережі виробу. Від'єднуйте мережевий штепсель, якщо виріб не використовується, і перед початком технічного обслуговування.
- Не використовуйте виріб, якщо шнур або штепсель пошкоджено. Під час від'єднання тримайтеся за штепсель, а не за шнур. Не торкайтеся штепселя або виробу мокрими руками. Перед від'єднанням скиньте всі елементи керування.
- Не тягніть виріб, тримаючи його за шнур. Не використовуйте шнур в якості ручки. Не закривайте двері, якщо шнур лежить у дверному отворі, і не тягніть за шнур, якщо він торкається гострих країв або кутів. Не переміщуйте виріб, тримаючи його за шнур. Тримайте шнур подалі від гарячих поверхонь.
- Тримайте волосся, одяг, пальці й інші частини тіла якомога далі від отворів і рухомих деталей пристрою. Не вставляйте предмети в отвори й не використовуйте виріб, якщо отвори закриті. Не допускайте засмічення отворів пилом, ворсом, волоссям й іншими предметами, які можуть зменшити потік повітря.
- Не збирайте пилососом небезпечний пил із WDC 220, WDC 225.
- Не збирайте пилососом легкозаймисті рідини, наприклад бензин. Не використовуйте виріб у місцях, де можуть бути розташовані такі речовини.
- Не збирайте пилососом будь-який матеріал, що горить або димить, наприклад сигарети, сірники чи гарячий попіл.
- Будьте обережні під час прибирання на сходах.
- Якщо з виробу виходить піна або рідина, негайно зупиніть виріб.
- Не використовуйте виріб в якості водяного насосу.
- Під'єднуйте виріб тільки до належним чином заземленої розетки. Штепсельна розетка й подовжувальні кабелі мають бути оснащені робочим заземлювальним дротом (наявний тільки у

- виробах, які не мають подвійної ізоляції).
- Переконайтеся в тому, що в робочій зоні є належна вентиляція.
- Не використовуйте виріб в якості сходів чи драбини.
- За використання пиловидальників швидкість повітрообміну в приміщенні має бути достатньою, якщо вихідне повітря з пилососа нагнітається в приміщення. Перед початком експлуатації впевніться в дотриманні нормативних вимог вашої країни.
- Перед використанням виробів, призначених для збирання пилу класу L, WDC 325L, користувача слід проінструктувати про:
 - порядок експлуатації виробу;
 - ризики стосовно збираних матеріалів;
 - процедури безпечної утилізації зібраного матеріалу.
- У випадку з виробами, призначеними для збирання пилу класу L, WDC 325L, застосовується наведене нижче.

- Використовуйте виріб для збирання сухого незаймистого пилу й рідин, небезпечного пилу з межею впливу на робочому місці¹⁾ > 1 мг/м³. Пил класу L (IEC 60335-2-69). Пил цього класу має значення межі впливу на робочому місці¹⁾ > 1 мг/м³.
- Фільтри виробів, призначених для збирання пилу класу L, виготовлено з випробуваних матеріалів. Максимальний ступінь проникності становить 1 %. Спеціальні вимоги щодо утилізації відсутні.

Зверніть увагу: Див. вимоги місцевого законодавства. Вік користувача може регламентуватися місцевим законодавством.

Безпека виробів із подвійною ізоляцією



ПОПЕРЕДЖЕННЯ:

Використовуйте виріб тільки за призначенням, указаним у цьому посібнику, а також лише з рекомендованими виробником аксесуарам.



ПОПЕРЕДЖЕННЯ: Тільки для

Сполученого Королівства: прочитайте ці важливі інструкції. Вони покликані максимально убезпечити користувача й зробити роботу максимально ефективною. Для належного виконання роботи користувач повинен пройти підготовку в затвердженого інструктора й має розуміти ці інструкції. Користувач повинен знати всі відповідні норми й законодавчі вимоги, що діють на момент експлуатації.



ПОПЕРЕДЖЕННЯ: Діт перед під'єднанням виробу. Переконайтеся в тому, що напруга мережі й промислова частота відповідають даним на табличці з паспортними даними пилососа для вологого або сухого чищення.



ПОПЕРЕДЖЕННЯ: Цей виріб має подвійну ізоляцію. Використовуйте лише запасні частини виробництва Husqvarna. Процедури виконання технічного обслуговування виробів із подвійною ізоляцією див. у інструкціях.



ПОПЕРЕДЖЕННЯ: Виріб оснащено спеціальним шнуром. Якщо шнур пошкоджено, його слід замінити шнуром аналогічного типу. Запасні частини можна придбати в затверджених сервісних центрах та в дилерів, а операцію має виконувати затверджений персонал.



ПОПЕРЕДЖЕННЯ: Обслуговування виробів із подвійною ізоляцією має виконувати обізнаний у питаннях технічного обслуговування цих систем спеціаліст, що також має належний досвід. У виробках із подвійною ізоляцією замість заземлення передбачено дві системи ізоляції. У виробках із подвійною ізоляцією не передбачено системи заземлення. Також не слід оснащувати такий пристрій системою заземлення. Обслуговування має виконуватися тільки затвердженим персоналом. Запасні частини для виробу з подвійною ізоляцією мають бути ідентичними частинам, які замінюються. Виріб із подвійною ізоляцією позначено словами «ПОДВІЙНА ІЗОЛЯЦІЯ» або «З ПОДВІЙНОЮ ІЗОЛЯЦІЄЮ». Символ також може бути використано на виробі.

Електробезпека

- Пилосос рекомендується підключати через електричний вимикач, керований диференціальним струмом.
- Розташуйте електричні деталі (розетки, штепселі й з'єднання) і прокладіть подовжувальний дріт таким чином, щоб забезпечити захист відповідного класу.
- З'єднувачі й з'єднання шнурів живлення та подовжувальних дротів мають бути водонепроникними.

Подовжувальний дріт

- В якості подовжувального дроту слід використовувати лише дріт того типу, який указано виробником, або якісніший.
- У разі використання подовжувального дроту слід перевірити мінімальні поперечні розрізи кабелю.

Довжина кабелю	Переріз кабелю	
	< 16 A	< 25 A
< 20 м	1,5 мм ²	2,5 мм ²
20-50 м	2,5 мм ²	4,0 мм ²



ПОПЕРЕДЖЕННЯ: У верхній частині пилососа розташовано компоненти під напругою. Контакт із компонентами під напругою призводить до тяжких або навіть смертельних травм.

- Заборонено розпилювати воду на верхню частину пилососу.



ПОПЕРЕДЖЕННЯ: Ураження електричним струмом через несправний силовий з'єднувальний дріт. Торкання несправного силового з'єднувального дроту може призвести до тяжких або навіть смертельних травм.

- Не допускайте пошкодження силового дроту живлення (наприклад, не слід

- проїжджати по ньому, тягнути за нього або здавлювати його).
- Регулярно перевіряйте шнур живлення на ознаки пошкодження або зносу.
 - Для запобігання небезпечним ситуаціям заміну пошкодженого електричного кабелю має здійснювати авторизований дистриб'ютор Husqvarna або інший кваліфікований спеціаліст.
 - За жодних обставин шнур живлення не слід обертати навколо пальців або будь-якої частини тіла користувача.



УВАГА: Розетка для пристрою (тільки на деяких моделях) призначена тільки для цілей, наведених в інструкції з експлуатації. Підключення до неї пристроїв, відмінних від зазначених в інструкції, може призвести до пошкодження.

- Перед підключенням пристрою слід завжди зупиняти виріб і пристрій, який потрібно підключити.

- Прочитайте інструкції з експлуатації приладу, який підключається, і дотримуйтесь вимог стосовно безпеки, що містяться в цих інструкціях.



УВАГА: Пошкодження через неправильну напругу мережі. Прилад може бути пошкоджено внаслідок підключення до мережі з неправильною напругою.

- Переконайтеся в тому, що напруга мережі й промислова частота відповідають даним на табличці з паспортними даними пилососа для вологого або сухого чищення.

Правила техніки безпеки під час використання

Збирання рідин



УВАГА: Не збирайте пилососом легкозаймисті рідини.

- Перед початком очищення рідин вийміть мішковий фільтр. Перевірте правильність функціонування поплавка або обмежувача рівня води.
- Використовуйте спеціальний фільтрувальний елемент або сітчастий фільтр.
- Якщо з виробу походить піна, негайно припиніть роботу й спорожніть резервуар.

Небезпечні матеріали



ПОПЕРЕДЖЕННЯ: Не збирайте небезпечні матеріали. Це може призвести до травм.

- Не збирайте пирососом такі матеріали:
 - небезпечний пил;
 - гарячі матеріали, наприклад, палаючі сигарети й гарячий попіл;
 - легкозаймисті, вибухові, агресивні рідини, наприклад бензин, розчинники, кислоти й луги;
 - легкозаймистий, вибуховий пил, наприклад магній або алюмінієва пудра.

Запасні частини й аксесуари



УВАГА: Для безпечної роботи виробу використовуйте тільки запасні частини й аксесуари .

- Використовуйте запасні частини й аксесуари лише виробництва Husqvarna.
- Використовуйте лише ті щітки, що постачаються разом із виробом, або які вказано в посібнику користувача.

Вибухонебезпечне або легкозаймисте середовище



УВАГА: Не використовуйте виріб у вибухонебезпечному або

легкозаймистому середовищі. Не використовуйте виріб поблизу рідин, газу або диму, які можуть утворювати легкозаймисті середовища.

Функція повітродуву



ПОПЕРЕДЖЕННЯ: Пил може спричинити проблеми зі здоров'ям. Виріб оснащено функцією повітродуву. Не допускайте довільне видування вихідного повітря в закритих приміщеннях. Використовуйте функцію повітродуву тільки із чистим шлангом.

Правила техніки безпеки під час обслуговування



ПОПЕРЕДЖЕННЯ: Перш ніж розпочати технічне обслуговування виробу, уважно прочитайте всі наведені нижче попередження.

Спорожнення контейнера для бруду



УВАГА: Зібраний матеріал може бути небезпечним для навколишнього середовища. Утилізуйте бруд відповідно до правових норм.

Збирання



ПОПЕРЕДЖЕННЯ: Перед збиранням виробу уважно прочитайте розділ про правила техніки безпеки.

Дії перед установленням

1. Розблокуйте фіксатори й зніміть блок двигуна. (Мал. 8)
2. Зніміть усі аксесуари з контейнера для бруду. (Мал. 9)
3. Переконайтеся в наявності всіх компонентів. Див. огляд виробу. Необхідні інструменти: викрутка.

Установлення мішкового фільтра

1. Переведіть головний перемикач у положення «0».
2. Від'єднайте виріб. (Мал. 10)
3. Розблокуйте фіксатори й зніміть блок двигуна. (Мал. 8)

4. Покладіть мішковий фільтр у контейнер для бруду.
5. Прикріпіть картонну частину мішкового фільтра до впускного отвору. Переконайтеся в тому, що гумова мембрана заходить за випускні частину впускного отвору. (Мал. 11)
6. Вставте блок двигуна в контейнер для бруду й заблокуйте фіксатори. (Мал. 12)

Установлення аксесуарів

1. Розмістіть аксесуари в правильному положенні для легкого доступу. (Мал. 13)
2. Прикріпіть ящик для інструментів до задньої частини виробу. (Мал. 14)
3. Прикріпіть тримач для кабелю й шлангу на задній панелі виробу. (Мал. 15)

Установлення шлангу

1. Вставте шланг у впускний отвір на передній панелі виробу. (Мал. 16)

2. Підключіть прилад до електромережі.
3. Переведіть головний перемикач у положення «I». (Мал. 17)
4. Відрегулюйте потужність усмоктування на ручці або за допомогою головного перемикача*. *Тільки в деяких моделях. (Мал. 18)

Установлення тримача трубки

1. Посуньте тримач трубки вертикально на подовжувальній трубці.

Експлуатація

Вступ



ПОПЕРЕДЖЕННЯ: Перед експлуатацією виробу обов'язково прочитайте й усвідомте зміст розділу про заходи безпеки.

Запуск виробу

Перед початком використання виробу переконайтеся в тому, що частота й напруга, указані на табличці з паспортними даними, збігаються із частотою та напругою мережі.

1. Переконайтеся в тому, що головний перемикач перебуває в положенні «0». (Мал. 10)
2. Переконайтеся, що у виріб встановлено правильні фільтри.
3. Вставте шланг у впускний отвір на передній панелі виробу. Прощтовхуйте шланг у впускний отвір, доки його не буде надійно закріплено. (Мал. 16)
4. З'єднайте дві подовжувальні трубки за допомогою ручки. Прокрутіть подовжувальні трубки, щоб переконаватися в тому, що вони правильно розташовані.
5. Прикріпіть насадку до подовжувальної трубки. Вибирайте насадку після визначення типу збираного матеріалу.
6. Підключіть штепсель до електромережі.
7. Для запуску виробу переведіть головний перемикач у положення «I». (Мал. 17)

Зупинення виробу

1. Для зупинки виробу переведіть головний перемикач у положення «0».
2. Відключіть штепсель від електромережі. (Мал. 10)

Використання функції видування

1. Вставте шланг в отвір на задній панелі виробу. (Мал. 21)
2. Підключіть штепсель до електромережі.

2. Для встановлення тримача трубки на правильній висоті подовжувальної трубки використовуйте викрутку. (Мал. 19)
3. Закріпіть подовжувальну трубку в тримачах на задній панелі виробу. (Мал. 20)

3. Переведіть головний перемикач у положення «I». (Мал. 17)
4. Відрегулюйте потужність видування на ручці або за допомогою головного перемикача*. *Тільки в деяких моделях. (Мал. 22)

Використання розетки для електроінструмента*

*Тільки в деяких моделях.



УВАГА: Під час роботи з приладами, що під'єднуються до розетки для електроінструмента, дотримуйтесь інструкцій з експлуатації та правил техніки безпеки.

Зверніть увагу: Максимальну споживану потужність підключеного інструмента зазначено в розділі *Технічні характеристики на сторінці 354*.

1. Переконайтеся в тому, що перемикач на електроінструменті перебуває в положенні «0». (Мал. 23)
2. Від'єднайте ручку від шланга. Натисніть фіксатори на кінці шлангу (A) і витягніть ручку (B). (Мал. 24)
3. Під'єднайте адаптер електроінструмента. (Мал. 25)
4. Відрегулюйте потужність усмоктування на адаптері електроінструмента або за допомогою головного перемикача*. *Тільки в деяких моделях. (Мал. 26)
5. Під'єднайте шланг до впускного отвору на виробі й до електроінструмента. Підключіть кабель електроінструмента до електричного з'єднання виробу. (Мал. 27)
6. Переконайтеся в тому, що перемикач на електроінструменті перебуває в положенні «0». (Мал. 23)
7. Переведіть головний перемикач на виробі в положення (A) для використання електроінструмента.

8. Переведіть перемикач на електроінструменті в положення «I» (B). (Мал. 28)

Зверніть увагу: Ви можете запускати й зупиняти виріб за допомогою головного перемикача на виробі (A) або на електроінструменті (B).

Збирання рідини

Зверніть увагу: Виріб оснащено поплавковим регулятором рівня, який перекидає потік повітря через виріб за досягнення максимального рівня рідини.



УВАГА: Не збирайте рідину, якщо поплавкову систему не встановлено.

1. Переконайтеся в тому, що фільтр і механізм натягування фільтра (поплавкова система) установлені; див. *Заміна фільтра на сторінці 352*. Витягніть мішковий фільтр, якщо його встановлено.
2. Для збирання рідини використовуйте насадку для підлоги.
3. За максимальної кількості рідини звук роботи двигуна помітно зміниться. Потужність усмоктування зменшується.
4. Зупиніть виріб, див. *Зупинення виробу на сторінці 350*.
5. Спорожніть контейнер для бруду, див. *Спорожнення контейнера для бруду після збирання рідини на сторінці 351*.

ТЕХНІЧНЕ ОБСЛУГОВУВАННЯ

Вступ



ПОПЕРЕДЖЕННЯ: Перед виконанням робіт із технічного обслуговування обов'язково прочитайте й усвідомте зміст розділу про заходи безпеки.

Для всіх робіт з обслуговування та ремонту необхідна спеціальна підготовка. Ми гарантуємо доступність послуг із професійного ремонту та обслуговування. Якщо ваш дилер не є одночасно центром обслуговування, зверніться до нього по інформацію щодо найближчого центру обслуговування.

Регулярне обслуговування й перевірка

- Регулярне обслуговування й перевірка виробу мають здійснюватися кваліфікованим персоналом відповідно до застосовного законодавства та норм.
- Електричні випробування цілісності ланцюга заземлення, опору ізоляції та перевірка стану гнучкого шнуру мають виконуватися регулярно.
- У разі виявлення дефекту виріб **обов'язково** необхідно зняти з експлуатації та відремонтувати із залученням кваліфікованого техніка з обслуговування.

Технічне обслуговування виробів, розрахованих на збирання пилу класу L

Наведені далі відомості стосуються виробів, розрахованих на збирання пилу класу L, WDC 325L.

- Під час технічного обслуговування й очищення цей виріб слід використовувати з дотриманням правил безпеки для обслуговуючого персоналу та інших осіб.
- У зоні технічного обслуговування:
 - використовуйте фільтрований обов'язковий повітряний потік;
 - використовуйте захисний одяг;
 - очищуйте зону технічного обслуговування таким чином, щоб шкідливий матеріал не потрапляв до інших зон.
- Якщо під час технічного обслуговування й ремонту деталі неможливо очистити задовільно:
 - помістіть деталі в надійно закриті мішки;
 - утилізуйте деталі відповідно до правових норм.

Спорожнення контейнера для бруду після збирання рідини

1. Зупиніть виріб, див. *Зупинення виробу на сторінці 350*.
2. Витягніть шланг зі впускного отвору.
3. Розблокуйте фіксатори й зніміть блок двигуна. (Мал. 8)
4. Очистіть контейнер для бруду, нахиливши його назад, і вилийте рідину в дренажний отвір у підлозі. * Ручкою оснащено тільки окремі моделі. (Мал. 29)



УВАГА: Після збирання рідини завжди спорожняйте й очищуйте контейнер для бруду та поплавкову систему. Не збирайте рідину, якщо

поплавкову систему й фільтр не встановлено у виріб.

5. Вставте блок двигуна в контейнер для бруду й заблокуйте фіксатори. (Мал. 12)

Спорожнення контейнера для бруду після збирання сухого сміття

1. Зупиніть виріб, див. *Зупинення виробу на сторінці 350*.
2. Розблокуйте фіксатори й зніміть блок двигуна. (Мал. 8)
3. Перевірте, чи не заповнено мішковий фільтр.
4. Вийміть мішковий фільтр, якщо його заповнено.



УВАГА: Не збирайте сухі матеріали, якщо фільтр і мішковий фільтр не встановлено.

5. Установіть новий мішковий фільтр, див. *Установлення мішкового фільтра на сторінці 349*.

Зверніть увагу: Ефективність усмоктування виробу залежить від розміру та якості фільтра і мішкового фільтра. Використовуйте тільки фільтри й мішкові фільтри Husqvarna.

6. Вставте блок двигуна в контейнер для бруду й заблокуйте фіксатори. (Мал. 12)

Очищення фільтра, система очищення фільтрів

Виріб оснащено напівавтоматичною системою очищення фільтрів. Використовувати систему очищення фільтрів слід регулярно, найпізніше – коли ефективність очищення стає недостатньою. Регулярне використання системи очищення фільтрів подовжує термін служби фільтра.

1. Очищуйте фільтр, коли потужність усмоктування стає недостатньою. (Мал. 30)
2. Вставте шланг у впускний отвір на передній панелі виробу. (Мал. 16)
3. Підключіть прилад до електромережі.
4. Переведіть головний перемикач у положення «I». (Мал. 17)
5. Приставте рукоятку до руки (А) таким чином, щоб впускний отвір був повністю закритий.
6. Тричі вдарте по кнопці 3 очищення фільтра кулаком (В). (Мал. 31)
7. Якщо потужність усмоктування недостатня, вийміть фільтр; див *Заміна фільтра на сторінці 352*.

8. Для очищення фільтра струсіть його, очистьте щіткою або промийте.
9. Дайте фільтру просохнути.
10. Установіть фільтр, див. *Установлення мішкового фільтра на сторінці 349*.

Чищення зовнішніх поверхонь виробу

1. Зупиніть виріб, див. *Зупинення виробу на сторінці 350*.
2. Очистьте виріб сухою ганчіркою й невеликою кількістю поліроль-спрея.

Заміна фільтра

Продукт розраховано на безперервну роботу у важких умовах. Фільтр пилу потрібно замінювати залежно від терміну роботи (у годинах).

1. Зупиніть виріб, див. *Зупинення виробу на сторінці 350*.
2. Розблокуйте фіксатори й зніміть блок двигуна. (Мал. 8)
3. Поверніть механізм натягування фільтра (А) проти годинникової стрілки й витягніть фільтр. Витягніть фільтр (В). (Мал. 32)
4. Установіть новий фільтр (А). Установіть механізм натягування фільтра (В) і поверніть його за годинниковою стрілкою. (Мал. 33)
5. Переконайтеся в тому, що фільтр і механізм натягування фільтра встановлено. (Мал. 34)
6. Вставте блок двигуна в контейнер для бруду й заблокуйте фіксатори. (Мал. 12)

Заміна мішкового фільтра

1. Зупиніть виріб, див. *Зупинення виробу на сторінці 350*.
2. Розблокуйте фіксатори й зніміть блок двигуна. (Мал. 8)
3. Перевірте, чи не заповнено мішковий фільтр. Вийміть мішковий фільтр, якщо його заповнено.
4. Вийміть картонну частину старого мішкового фільтра з впускного отвору.
5. Підніміть мішковий фільтр (А) і викиньте його.
6. Вставте новий мішковий фільтр у контейнер для бруду (В).
7. Прикріпіть картонну частину мішкового фільтра до впускного отвору (С). Переконайтеся в тому, що гумова мембрана заходить за виступну частину впускного отвору. (Мал. 35)
8. Вставте блок двигуна в контейнер для бруду й заблокуйте фіксатори. (Мал. 12)

Транспортування та зберігання

- Дії після використання
 - Якщо виріб не використовується, відключіть його від мережі живлення.
 - Згорніть шнур (виконується в напрямку від виробу).
 - Щоб приєднати шнур до блока двигуна, скористайтеся тримачем кабелю.
 - Згорніть шланг.
 - Щоб прикріпити шланг до блока двигуна, скористайтеся тримачем для шлангу.
- Транспортування
 - Закрийте всі фіксатори на блоці двигуна.
 - Не нахиляйте виріб, якщо в контейнері для бруду є рідина.
 - Не використовуйте крюк крана для піднімання виробу.
- Зберігання
 - Зберігайте виріб у сухому місці за температури нижче 0 градусів.

Утилізація виробу

Щоб зробити продукт непридатним для використання, виконайте наведені далі кроки.

1. Відключіть штепсель від електромережі.
2. Відріжте шнур живлення.
3. Не утилізуйте виріб разом із побутовим сміттям.

Утилізація (згідно з положенням ЄС 2012/19/ЄС):

Виріб не можна викидати разом зі звичайним побутовим сміттям. Утилізація повинна здійснюватися відповідно до чинних місцевих норм утилізації відходів.

Переконайтеся, що виріб утилізується через комунальний центр переробки відходів.

(Мал. 5)

Технічні дані

Технічні характеристики

	ЄС / КИТАЙ		СПОЛУЧЕНЕ КОРО- ЛІВСТВО		АВСТРАЛІЯ / НОВА ЗЕЛАНДІЯ		США
	WDC 220	WDC 325L	WDC 220	WDC 325L	WDC 220	WDC 325L	WDC 225
Напруга, В	220–240	220–240	220–240	220–240	220–240	220–240	110-120
Потужність $P_{\text{іес}}$, Вт	1000	1200	1000	1000	1000	1000	1000
Потужність, що подається на розетку для приладів, Вт	–	2400 /1100	–	1900	–	1300	–
Частота, Гц	50/60				50–60		50/60
Плавкий запобіжник, А	10	16/10	13	13	10	10	15
Категорія захисту (вологість, пил)	IPX4						
Клас захисту (електричний)	II (Мал. 4)	I	II (Мал. 4)	I	II (Мал. 4)	I	II (Мал. 4)
Об'єм потоку повітря, л/хв	3600	3700	3600	3600	3600	3600	3200
Об'єм потоку повітря, куб. фут/хв	127	130	127	127	127	127	113
Вакуум, мбар	210	235	210	210	210	210	210
Рівень звукового тиску на висоті 1 м, EN 60704-1, дБ (А) +/- 2	72						
Вібрація, ISO 5349, м/с ² +/- 1	< 1,5						
Вага, кг	7,5	8,5	7,5	8,5	7,5	8,5	7,5
Ширина, мм	377	376	377	376	377	376	377
Глибина, мм	385	392	385	392	385	392	392
Висота, мм	506	533	506	530	506	530	550

Декларація відповідності ЄС

Декларація відповідності ЄС

Ми, **Husqvarna AB**, SE-561 82 місто Хускварна, Швеція, телефон: +46-36-146500, заявляємо, що **пилососи Husqvarna WDC 220, 3325L** відповідають вимогам ДИРЕКТИВИ РАДИ ЄС:

- від 17 травня 2006 р. «стосовно механічного обладнання» **2006/42/EC**
- від 26 лютого 2014 р. «Про електромагнітну сумісність» **2014/30/EU**

Застосовано такі стандарти:

EN 60335-1:2012+A11:2014, EN 60335-2-69:2012, EN 55014-1:2006+A1:2009+A2:2011, EN 55014-2:2015, EN 61000-3-2:2014, EN 61000-3-3:2013

Якщо інше не зазначено, маються на увазі останні опубліковані версії вищенаведених стандартів.

Husqvarna, 2018-08-01



Корнелія Екбладх (Cornelia Ekbladh), директор із керування збутом продукції

内容

引言.....	356	维护.....	361
安全性.....	357	运输、存放和废弃处理.....	362
组装.....	360	技术参数.....	363
操作.....	360	欧盟一致性声明.....	364

引言

产品说明

本产品为商用多功能真空吸尘器。

预定用途

本产品用于清洁干燥的不可燃灰尘和液体。

产品概览 WDC 220, WDC 225

(图 1)

1. 主开关
2. 过滤器清洁系统
3. 真空入口
4. 脚轮
5. 电缆固定架, 软管固定架
6. 过滤器尘袋

产品概览 WDC 325L

(图 2)

1. 主开关
2. 过滤器清洁系统
3. 真空入口
4. 脚轮
5. 电缆固定架, 软管固定架
6. 过滤器尘袋
7. 吸嘴
8. 手柄
9. 地板吸嘴
10. 缝隙吸嘴
11. 说明书
12. 加长管
13. 软管
14. 电动工具适配器
15. 电动工具电气接口
16. 工具箱

本产品上的符号

(图 3) 请认真阅读本说明书, 确保在充分理解各项说明之后再使用本产品。

(图 4) 本产品具有双重绝缘。

请阅读并遵守一般安全须知和操作说明。

仅可对本产品执行制造商指定的维护和维修工作。

对于因不当使用、维护或维修所造成的损坏, 制造商不承担任何责任。

7. 吸嘴
8. 手柄
9. 地板吸嘴
10. 缝隙吸嘴
11. 说明书
12. 加长管
13. 软管

(图 5) 切勿将本产品与生活垃圾一同丢弃。请遵守当地的相关要求。

(图 6) 本产品符合适用的 EC 指令。

注意：产品上的其他符号/标识涉及其他商用领域的认证要求。

粉尘等级 L

(图 7)

请遵守针对粉尘等级 L 的安全建议和相关措施。

产品责任

如产品责任法律中所引用的, 在以下情况下, 我们对我们的产品所导致的损坏不承担责任:

- 未正确修理产品。
- 使用并非来自制造商或者未获得制造商批准的零部件修理产品。
- 产品具有并非来自制造商或者未获得制造商批准的附件。
- 未在获得批准的服务中心修理产品, 或者并非由获得批准的机构修理产品。

安全定义

本手册使用了“警告”、“小心”和“注意”来指出特别重要的内容。



警告： 当不遵守手册中的说明可能会给操作员或周围人员带来伤害或死亡风险时，会使用此标志。



小心： 当不遵守手册中的说明可能会对产品、其他材料或附近区域造成损坏时，会使用此标志。

注意： 用于提供特定状况下所需的更多信息。

一般安全须知



警告： 请在使用本产品前阅读下面的警告说明。

- 如果产品和/或附件损坏，必须由许可的服务中心进行维修。切勿使用损坏的产品。
- 切勿让儿童操作本产品。切勿让不熟悉使用说明书的人员使用或维护本产品。
- 必须在监督下使用本产品。
- 若使用本产品的人员的身体能力或心智能力较低，确保对其进行监督。
- 应谨慎看护儿童，确保他们不会玩耍本产品。
- 切勿采用危险的工作程序。
- 在过滤器未安装在正确位置的情况下，切勿使用本产品。
- 在以下情况下，请关停产品并拔下电源插头：
 - 进行清洁和维护工作之前。
 - 进行维修之前。
- 工作区域内存在泡沫或液体。
- 切勿在本产品连接着电源时离开产品。当本产品不再运行时或进行维护之前，请拔下电源插头。
- 如果电源线或插头损坏，切勿使用本产品。断开电源时，请抓住插头将其拔下，切勿通过拉拽电线来拔下插头。切勿用湿手抓握插头或本产品。断开电源前，应先将所有的控制钮复位。
- 切勿通过电线拖拽本产品。切勿将电线当做手柄使用。切勿在关门时使电线受到挤压，切勿使电线绕在锐利的边缘或转角处。移动本产品时切勿碾压到电线。确保电线远离高温表面。
- 确保毛发、宽松衣物、手指以及身体的任意部位远离开口和活动部件。切勿将物体塞入开口或在开口堵塞情况下使用本产品。确保开口处无粉尘、线头、毛发和其他任何会妨碍空气流动的物体。
- 切勿用 WDC 220, WDC 225 抽吸危险的粉尘。
- 切勿抽吸可燃物或可燃液体，例如汽油。切勿在可能存在此类物品的区域内使用本产品。

- 切勿使用本产品清理香烟、火柴或高温灰烬等正在燃烧或冒烟的物体。
- 在楼梯上进行清洁时要小心谨慎。
- 如果有泡沫或液体从本产品中溢出，请立即关停本产品。
- 切勿将本产品当做水泵使用。
- 请将本产品连接在具有正确接地的电源插座上。电源插座和延长线必须具备有效的保护导体（仅适用于非双重绝缘产品）。
- 确保工作区域充分通风。
- 切勿将本产品用作梯子或人字梯。
- 如果使用真空吸尘器时有废气吹进房间，则必须保证室内的换气速率足够快。在使用前请遵守相应的国家规定。
- 对于粉尘等级为 L 的产品 WDC 325L，在使用前请为操作员提供讲解和培训：
 - 如何使用本产品。
 - 待清理物质的风险。
 - 安全地丢弃所清理的物质。
- 对于粉尘等级为 L 的产品 WDC 325L，须遵守以下要求：
 - 请使用本产品清洁干燥的不可燃粉尘和液体及 OEL¹⁾ 数值 > 1mg/m³ 的危险粉尘。粉尘等级 L (IEC 60335-2-69)。此等级的粉尘的 OEL¹⁾ 数值 > 1mg/m³。

- 粉尘等级为 L 的产品采用了经过检验的过滤器材料。最大渗透率为 1%。对废弃处理并无特殊要求。

注意： 请参阅当地的法律。其中可能对操作员的年龄具有规定。

双重绝缘产品的安全性



警告： 请只按照本手册中的说明来使用本产品，并且请只使用制造商推荐的附件。



警告： 仅适用于英国：请阅读这些重要的说明。在这些说明中，安全与效率是最重要的考虑因素。必须由许可指导员对操作员进行培训，并且操作员必须理解这些操作说明。操作员必须了解使用本设备时所有相关的现行规定和法律。



警告： 在连接电源之前：确保电源电压和电源供电频率与湿式/干式真空吸尘器标牌上的数据相匹配。



警告： 本产品具有双重绝缘。请仅使用 Husqvarna 备件。请参阅有关双重绝缘产品的保养操作说明。



警告： 本产品采用了特殊电线。如果电线损坏，那么必须用相同类型的电线来更换。许可服务中心和代理商可以提供这种电线，该电线必须由许可人员安装。



警告： 对双重绝缘产品进行保养时，需要了解绝缘系统的知识。双重绝缘产品具有两个绝缘系统，并不是单一的接地系统。双重绝缘产品未提供接地方式，并且，不允许为本产品添加接地。必须仅由许可服务人员执行保养工作。双重绝缘产品所用备件必须与换下的零件一致。双重绝缘产品上标有“DOUBLE INSULATION”（双重绝缘）或“DOUBLE INSULATED”（已双重绝缘）的字样。符号还可能在产品上出现。

电气安全

- 建议通过漏电断路器来连接真空吸尘器。
- 合理布置电气零件（插座、插头和接头）和铺设加长线，以保持原有的保护等级。
- 电源线和加长线的连接器和接头必须防水。

加长线

- 对于加长线，请仅使用制造商指定的型号，或具有更高质量的型号。
- 使用加长线时，请检查电缆的最小横截面积：

电缆长度	横截面积	
	< 16 A	< 25 A
< 20 m	1.5 mm ²	2.5 mm ²
20-50 m	2.5 mm ²	4.0 mm ²



警告： 真空吸尘器的上部含有带电元件。接触带电元件可致人重伤甚至死亡。

- 严禁向真空吸尘器的上部喷水。



警告： 电源接线故障可导致电击。触摸存在故障的电源接线可致人重伤甚至死亡。

- 切勿损坏电源线（例如碾压、拉扯或挤压电线）。
- 定期检查电源线是否损坏或是否存在老化迹象。
- 如果电线已损坏，则必须由许可的 Husqvarna 经销商或类似有资格人员进行更换，以避免产生危害。
- 在任何情况下都不得将电源线缠绕在手上或操作员的其他身体部位上。



小心： 设备插座（仅限部分型号）仅被设计用于操作说明中指定的用途。连

接其他设备可能导致损坏。

- 在插接设备之前，始终要关停本产品和将要连接的设备。
- 阅读待连接设备的操作说明，遵守其中的安全事项。



小心： 电源电压不适当导致损坏。连接不当电源电压会对设备造成损坏。

- 确保电源电压和电源供电频率与湿式/干式真空吸尘器标牌上的数据相匹配。

操作安全须知

清理液体



小心： 切勿清理可燃液体。

- 在开始清理液体前请先拆下过滤器尘袋。检查浮子液位或水位限制功能是否工作正常。
- 使用专门的滤芯或滤网。
- 如果产品上有泡沫溢出，请立即停止工作并清空污垢箱。

危险物质



警告： 切勿清理危险物质。否则会导致伤害。

- 切勿使用本产品清理以下物质：
 - 危险粉尘
 - 高温物质，例如燃烧的香烟和高温灰烬。
 - 可燃性、爆炸性、腐蚀性液体，例如汽油、溶剂、酸液和碱液。
 - 可燃性、爆炸性粉尘，例如镁粉或铝粉。

备件和附件



小心： 为了确保本产品的安全，请仅使用备件和附件。

- 请仅使用由 Husqvarna 提供的备件和附件。

- 请仅使用本产品附带的或说明书中的指定的刷子。

散排出的空气。只可在软管干净的情况下使用吹风机功能。

爆炸性或可燃性环境



小心：切勿在爆炸性或可燃性环境中使用本产品。切勿在可导致可燃性环境的液体、气体或烟雾附近使用本产品。

吹风机功能



警告：粉尘会导致健康问题。本产品具有吹风机功能。切勿在封闭的区域内随意地吹

维护安全须知



警告：请在维护本产品前阅读下面的警告说明。

清空污垢箱



小心：被清理的物质可能会给环境带来危害。请按照法律规定的要求丢弃这些污垢。

组装



警告：请先仔细阅读和充分理解安全须知章节，再安装产品。

安装前的工作

1. 打开锁扣并拉出电机单元。(图 8)
2. 拆下污垢箱上的各个附件。(图 9)
3. 确认零件齐全。请参阅“产品概览”。必要的工具：螺丝刀。

安装过滤器尘袋

1. 将主开关转到“0”位置。
2. 断开产品的电源。(图 10)
3. 打开锁扣并拉出电机单元。(图 8)
4. 将过滤器尘袋放入到污垢箱内。
5. 将过滤器尘袋的硬纸板部分装在真空入口上。确认橡胶膜片套过真空入口的凸出接口。(图 11)
6. 将电机单元装在污垢箱上，然后锁住锁扣。(图 12)

安装附件

1. 将附件安放在各自的位置上，以便取用。(图 13)
2. 将工具箱安装在本产品的背面。(图 14)
3. 将电缆和软管固定架安装在本产品的背面。(图 15)

安装软管

1. 将软管插入本产品正面的真空入口中。(图 16)
2. 将本产品与电源连接。
3. 将主开关转到“I”位置。(图 17)
4. 通过手柄或主开关 * 调节抽吸功率。* 仅限部分型号。(图 18)

安装吸管固定架

1. 在加长管上垂直地移动吸管固定架。
2. 用一把螺丝起子将吸管固定架安装在加长管的正确高度处。(图 19)
3. 借助吸管固定架，将加长管安放在本产品的背面。(图 20)

操作

引言



警告：在使用本产品之前，您必须阅读并理解安全章节。

启动产品

在使用本产品之前，请先确认标牌上所示的频率和电压与电源电压相同。

1. 确认主开关位于“0”位置。(图 10)
2. 检查并确认已将正确的过滤器安装至本产品中的正确位置。
3. 将软管插入本产品正面的真空入口中。向前推动软管，直到它牢固地安装在真空入口中。(图 16)

4. 将两个加长管与手柄连接起来。转动加长管，确认它们已正确安装到位。
5. 将一个吸嘴安装在加长管上。根据需要对清理的物质类型来选择吸嘴。
6. 将电源插头插到电源上。
7. 将主开关转到“I”位置可启动本产品。(图 17)

关停产品

1. 将主开关转到“0”位置可关停本产品。
2. 将电源插头从电源上拔下。(图 10)

使用吹风机功能

1. 将软管插入本产品背面的开口中。(图 21)
2. 将电源插头插到电源上。

3. 将主开关转到“1”位置。(图 17)
4. 通过手柄或主开关 * 调节吹风功率。* 仅限部分型号。(图 22)

使用电动工具插座 *

* 仅限部分型号。



小心： 请遵守连接到电动工具插座的设备的操作说明和一般安全须知。

注意： 所连接工具的最大功耗见 *技术资料在第 363 页上* 章节所述。

1. 确认电动工具上的开关位于“0”位置。(图 23)
2. 将手柄从软管上拔下。按下软管末端的锁扣 (A)，将手柄 (B) 拉出。(图 24)
3. 连接电动工具适配器。(图 25)
4. 通过电动工具适配器或主开关 * 调节抽吸功率。* 仅限部分型号。(图 26)
5. 将软管分别与本产品的真空入口和电动工具连接。将电动工具的电缆与本产品的电气接口连接。(图 27)
6. 确认电动工具上的开关位于“0”位置。(图 23)
7. 将本产品的主开关转到电动工具位置 (A)。

8. 将电动工具的开关设置在“1”位置 (B)。(图 28)

注意： 您可以用品上的主开关 (A) 或电动工具上的主开关 (B) 来启动和关停本产品。

清理液体

注意： 本产品具有一个浮子系统，可在达到最大液位处时阻止气流流过本产品。



小心： 切勿在浮子系统未就位时使用本产品清理液体。

1. 确认过滤器和过滤器张紧器 (浮子系统) 就位，请参阅 *更换过滤器在第 362 页上*。如果已经安装了过滤器尘袋，请将其拆下。
2. 使用地板吸嘴来清理液体。
3. 当达到最大液位时，可以听到电机声音发生明显变化。抽吸功率会降低。
4. 关停本产品，请参阅 *关停产品在第 360 页上*。
5. 清空污垢箱，请参阅 *在清理液体后清空污垢箱在第 361 页上*。

维护

引言



警告： 进行维护之前，您必须阅读并理解安全须知章节。

要对本产品执行任何保养和维修工作，都需要经过特殊培训。我们承诺提供专业的维修和保养。如果您的经销商不是保养代理商，请联系该经销商以获取离您最近的保养代理商的信息。

定期保养和检查

- 必须由相关法律和规定所认定的有资格的人员对本产品执行定期保养和检查。
- 必须经常对接地连续性、绝缘电阻和柔性电缆的情况进行电气测试。
- 如果发现故障，**必须**停止使用本产品，并将其交由许可服务技术人员进行维修。

粉尘等级 L 产品的维护

以下内容适用于粉尘等级 L 产品 WDC 325L。

- 在维护和清理过程中，务必以不会危害维护人员和其他人员的方式，安全地使用本产品。
- 在维护区域内：
 - 使用经过强制过滤的气流。
 - 穿着防护服。
 - 清理维护区域，防止有害物质进入到其他区域。

- 如果在维护和维修过程中无法将零件清理干净：
 - 将零件放置在完全密封的口袋中。
 - 按照法律规定的要求丢弃零件。

在清理液体后清空污垢箱

1. 关停本产品，请参阅 *关停产品在第 360 页上*。
2. 拉出软管，将其从真空入口中拔出。
3. 打开锁扣并拉出电机单元。(图 8)
4. 向后倾斜污垢箱，将液体倒入地漏，清空污垢箱。* 仅部分型号具有手柄。(图 29)



小心： 在每次清理液体后都要清空并清洁污垢箱和浮子系统。当本产品中未安装浮子系统和过滤器时，切勿进行液体清理工作。

5. 将电机单元装在污垢箱上，然后锁住锁扣。(图 12)

清理干物质后清空污垢箱

1. 关停本产品，请参阅 *关停产品在第 360 页上*。
2. 打开锁扣并拉出电机单元。(图 8)
3. 查看过滤器尘袋是否已满。
4. 如果已装满，请将其拆下。



小心： 当未安装过滤器和过滤器尘袋时，切勿进行干物质清理工作。

5. 安装新的过滤器尘袋，请参阅 *安装过滤器尘袋在第 360 页上*。

注意： 本产品的抽吸效率取决于过滤器和过滤器尘袋的尺寸和质量。请仅使用 Husqvarna 过滤器和过滤器尘袋。

6. 将电机单元装在污垢箱上，然后锁住锁扣。(图 12)

清洁过滤器，过滤器清洁系统

本产品带有一个半自动过滤器清洁系统。请定期使用过滤器清洁系统，至少在打扫性能不足时使用该系统。定期使用过滤器清洁系统可以延长过滤器的使用寿命。

1. 当抽吸功率不足时，请清洁过滤器。(图 30)
2. 将软管插入本产品正面的真空入口中。(图 16)
3. 将本产品与电源连接。
4. 将主开关转到“1”位置。(图 17)
5. 将手柄按在手掌 (A) 上，使其吸住手掌。
6. 用拳头 (B) 敲击过滤器清洁按钮 3 次。(图 31)
7. 当抽吸功率不足时，请拆下过滤器，请参阅 *更换过滤器在第 362 页上*。
8. 清洁过滤器时可以用手摇晃、用刷子刷扫或用水清洗。
9. 晾干过滤器。
10. 安装过滤器，请参阅 *安装过滤器尘袋在第 360 页上*。

清洁本产品的外部

1. 关停本产品，请参阅 *关停产品在第 360 页上*。
2. 请使用干毛巾和少量的擦亮剂来清洁本产品。

更换过滤器

本产品设计用于持续执行繁重工作。应根据工作小时数的情况更换粉尘过滤器。

1. 关停本产品，请参阅 *关停产品在第 360 页上*。
2. 打开锁扣并拉出电机单元。(图 8)
3. 顺时针旋转过滤器张紧器 (A) 并将其取出。取出过滤器 (B)。(图 32)
4. 装入新的过滤器 (A)。装入并顺时针转动过滤器张紧器 (B)。(图 33)
5. 确保过滤器和过滤器张紧器安装到位。(图 34)
6. 将电机单元装在污垢箱上，然后锁住锁扣。(图 12)

更换过滤器尘袋

1. 关停本产品，请参阅 *关停产品在第 360 页上*。
2. 打开锁扣并拉出电机单元。(图 8)
3. 查看过滤器尘袋是否已满。如果已装满，请将其拆下。
4. 将旧过滤器尘袋的硬纸板部分从真空入口上拆下。
5. 取出过滤器尘袋 (A) 然后将其丢弃。
6. 将新的过滤器尘袋放入到污垢箱 (B) 内。
7. 将过滤器尘袋的硬纸板部分装在真空入口 (C) 上。确认橡胶膜片套过真空入口的凸出接口。(图 35)
8. 将电机单元装在污垢箱上，然后锁住锁扣。(图 12)

运输、存放和废弃处理

运输及存放

- 使用后：
 - 当本产品不再工作时，将电源插头从电源上拔下。
 - 从本产品位置处开始绕起电线。
 - 用电缆固定架将电线固定在电机单元上。
 - 绕起软管。
 - 用软管固定架将软管固定在电机单元上。
- 运输：
 - 锁住电机单元上的所有锁扣。
 - 如果污垢箱内存有液体，切勿倾斜本产品。
 - 切勿用起重机吊钩来提升本产品。
- 存放：
 - 将本产品存放在干燥、防冻的区域。

本产品的回收

请执行以下步骤，以使用本产品无法再使用。

1. 将电源插头从电源上拔下。
2. 切断电源线。

3. 切勿将本产品与日常的生活垃圾一同丢弃。

报废处理 (按照 2012/19/EC)：

本产品不得加添到正常的生活垃圾上。必须按照当地的环境法规进行处理。

确保本产品通过或经由您所在地区的市回收中心丢弃。

(图 5)

技术参数

技术资料

	EU/CH		GB		AU/NZ		US
	WDC 220	WDC 325L	WDC 220	WDC 325L	WDC 220	WDC 325L	WDC 225
电压, V	220-240	220-240	220-240	220-240	220-240	220-240	110-120
功率 P_{iec} , W	1000	1200	1000	1000	1000	1000	1000
设备插座外接负载, W	-	2400 /1100	-	1900	-	1300	-
频率, Hz	50/60				50-60		50/60
熔断电流, A	10	16/10	13	13	10	10	15
保护类别 (潮湿、灰尘)	IPX4						
保护等级 (电气)	II (图 4)	I	II (图 4)	I	II (图 4)	I	II (图 4)
空气流量, l/min	3600	3700	3600	3600	3600	3600	3200
空气流量, cfm	127	130	127	127	127	127	113
真空, mbar	210	235	210	210	210	210	210
声压级, 1 m, EN 60704-1, dB(A) +/- 2	72						
振动, ISO 5349, m/s ² +/- 1	<1.5						
重量, kg	7.5	8.5	7.5	8.5	7.5	8.5	7.5
宽度 (mm)	377	376	377	376	377	376	377
深度, mm	385	392	385	392	385	392	392
高度, mm	506	533	506	530	506	530	550

欧盟一致性声明

欧盟一致性声明

Husqvarna AB, SE-561 82 Huskvarna, Sweden, 电话 :
+46-36-146500, 谨此声明: **真空吸尘器 Husqvarna
WDC 220, 3325L** 符合欧洲理事会的以下指令:

- 2006年5月17日“关于机械”的指令 **2006/42/EC**。
- 2014年2月26日“关于电磁兼容性”的指令
2014/30/EU

适用标准如下:

**EN 60335-1:2012+A11:2014, EN 60335-2-69:2012, EN
55014-1:2006+A1:2009+A2:2011, EN 55014-2:2015,
EN 61000-3-2:2014, EN 61000-3-3:2013**

如果未做其他说明, 那么以上所列各项标准皆为最新发布
的版本。

Huskvarna, 2018-08-01



Cornelia Ekbladh, 产品管理总监



FR

Cet appareil,
ses cordons,
et batterie
se recyclent

À DÉPOSER
EN MAGASIN

OU

À DÉPOSER
EN DÉCHÈTERIE

Points de collecte sur www.quefairedemesdechets.fr
Privilégiez la réparation ou le don de votre appareil !

Husqvarna®

www.husqvarna.com

Original instructions

الإرشادات الأصلية

Оригинални инструкции

Původní pokyny

Originale instruktioner

Originalanweisungen

Αρχικές οδηγίες

Instrucciones originales

Originaaljuhend

Alkuperäiset ohjeet

Instructions d'origine

Originalne upute

Eredeti útmutatás

Istruzioni originali

取扱説明書原本

원본 설명서

Originalios instrukcijos

Lietošanas pamācība

Originele instructies

Originale instruksjoner

Oryginalne instrukcje

Instruções originais

Instrucțiuni inițiale

Оригинальные инструкции

Pôvodné pokyny

Izvirna navodila

Originalna uputstva

Bruksanvisning i original

Orjinal talimatlar

Оригинальні інструкції

原始说明



FR



1143241-38



2022-06-28