



MORRIS

MAF-8006c

Please read this manual carefully before use this product

USER MANUAL

AIR FRYER with steam assist function

Instruction Manual



Model: MAF-8006c

Save These Instructions for Household use only.

When using electrical appliances, basic safety precautions should always be followed.

Do not use the air-fryer until you have read this manual thoroughly.

SAFETY PRECAUTIONS

Carefully read all the instructions before using the appliance and keep in a safe place for future reference. Always follow these safety precautions when using the appliance to avoid personal injury or damage to the appliance. This appliance should be used only as described in this instruction book.

- This appliance can be used by children aged from 8 years and above and people with reduced physical, sensory or mental capabilities or lack of experience and knowledge, if they have been given supervision or instruction concerning use of the appliance in a safe way and understand the hazards involved. Children shall not play with the appliance. Cleaning and user maintenance shall not be done by children unless they are older than 8 and supervised.
- Make sure your electricity supply matches the voltage shown on the appliance.
- Ensure all packaging materials and any promotional labels or stickers are removed from the appliance before the first use.
- Always inspect the appliance before use for noticeable signs of damage. Do not use if damaged or has been dropped. In case of damage, or if the appliance develops a fault, contact with the authorized service center.
- Always use the appliance on a dry, level, heat resistant surface.
- Unplug from the mains when not in use and before cleaning. To disconnect, remove the plug from the mains socket.
- Do not use any accessories or attachments with this appliance other than those recommended by the supplier.
- To protect against fire, electric shock or personal injury, do not immerse cord, plug or lid in water or other liquids.
- Do not leave the cord hanging over the edge of a kitchen table or worktop. Avoid contact between the device and hot surfaces.
- For indoor use only. For domestic use only.
- This appliance should be used for preparation of food as described within the instructions for use that accompany it.
- Always ensure that your hands are dry before removing the plug from the mains socket. Never pull the plug out of the mains socket by its lead.
- To avoid injury or possible fire, do not cover the appliance when in use.
- Not recommended to be used with a plug-in timer switch.
- An extension cable may be used with care. The electrical rating of the cable should

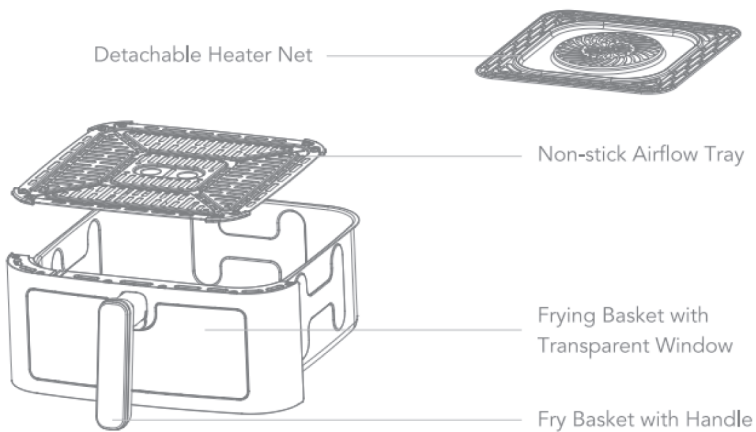
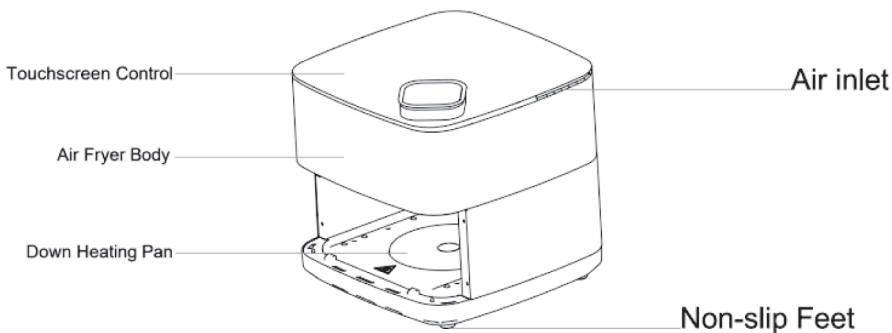
be at least as great as the appliance. Do not allow the cable to hang over the edge of the worktop or touch any hot surfaces.

Warning: A cut off plug inserted into a 13-amp socket is a serious safety (shock) hazard. Ensure the cut off plug is disposed of safely.

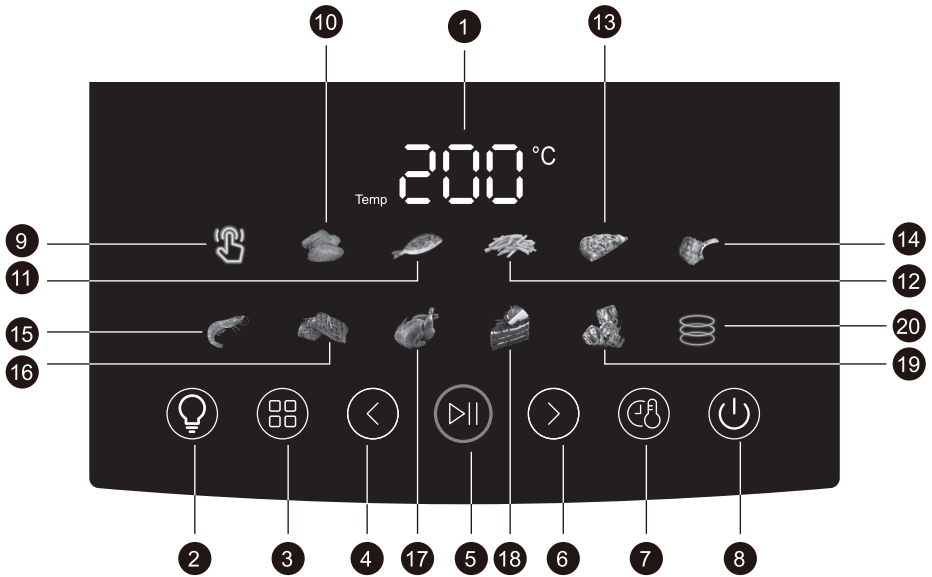
Caution: The plastic bags used to wrap this appliance, or the packaging may be dangerous. To avoid risk of suffocation, keep these bags out of reach of babies and children. These bags are not toys.

- Keep the Air Fryer, plug and lead away from hot ovens, flames and other hot surfaces.
- The Air Fryer must be used in a well-ventilated area, at least 10cm away from walls and other surfaces to allow sufficient airflow.
- DO NOT operate the Air Fryer empty and never fill beyond half full.
- DO NOT fill the basket with oil or any other liquid to avoid a fire hazard.
- If dark smoke is coming out of the appliance, unplug immediately. Wait for the smoke to stop before removing the basket.
- DO NOT place food directly into the cooking cavity or allow food to come into direct contact with the heating element. Never add food to the basket without the rack being in place, always cook food in the basket.
- DO NOT leave the Air Fryer unattended during use.
- The Air Fryer, basket and rack will remain hot for some time after use, switch off and unplug the Air Fryer and let it cool completely before moving, cleaning or storing.
- To prevent injury, DO NOT TOUCH.
- Switch off and unplug the Air Fryer and let it cool completely before touching these surfaces.
- Be careful when removing the basket and rack as burning hot steam can escape, and hot fat can spit and burn, always use the basket handle. Use oven gloves.
- During use, hot steam is released through the air vents - keep your hands and face at a safe distance.

PRODUCT OVERVIEW



CONTROL PANEL ICONS



- | | |
|-----------------------------------|-----------------------|
| 1. Temperature/Time display | 11. Fish icon |
| 2. Light control | 12. French fries icon |
| 3. Pre-set cooking function icon | 13. Pizza icon |
| 4. Increase temperature/time icon | 14. Lamb chop icon |
| 5. Start pause icon | 15. Shrimp icon |
| 6. Decrease temperature/time icon | 16. Steak icon |
| 7. Temperature/time icon | 17. Chicken icon |
| 8. On/Off power icon | 18. Cake icon |
| 9. DIY | 19. Defrost icon |
| 10. Chicken wing icon | 20. Re-heat icon |

USING THE AIR FRYER FOR THE FIRST TIME

- Unpack the Air Fryer and remove all the packaging materials.
- Before first use, wipe the main unit with a clean damp cloth.
- To remove the basket from the cooking cavity, press down on the basket release button and pull the basket out from the cooking cavity, using the basket handle and place on a dry level surface.
- Wash the basket and rack with hot, soapy water, rinse and dry thoroughly.
- Make sure that all parts are clean and dry before assembling the product.
- Never use the basket without the rack in it.
- Slide the basket back into the cooking cavity.
- The Air Fryer is now ready to use.

ON/OFF POWER ICON

- Plug in and switch ON the Air Fryer, the appliance will beep.
- Press the ON/OFF power icon once, the control panel will illuminate.
- If no icons on the control panel are touched after 5 minutes, the appliance will go to standby mode.
- Press the ON/OFF power icon at any time during the cooking process. It will shut off the appliance and it will enter to standby mode. Nothing will be illuminated on the control panel, except the on/off power icon. The fan will continue running for 20 seconds to cool down the appliance (when the setting time is over).

INCREASE/DECREASE TEMPERATURE/TIME ICON

- These icons enable you to increase or decrease cooking temperature by 5°C intervals ranging from 35°C to 200°C and increase or decrease the cooking time, from 1-60 minutes, in 1-minute intervals. If you press and hold the icons, it will go through the range quicker.

STANDBY MODE

- When only the ON/OFF power icon is illuminated on the control panel, the appliance is in standby mode.
- Press the ON/OFF power icon to activate the appliance. It will beep.
- If no icons on the control panel are touched after 5 minutes, the device will go

back to standby mode. Likewise, if you have paused or opened the basket and there is no operation within 5 minutes, it will go back to standby mode.

START/PAUSE ICON

- Once you have selected the pre-set cooking function, press the START/PAUSE icon and the appliance will start to operate.
- During the cooking process you can press the START/PAUSE icon to pause the appliance. Press the START/PAUSE icon to continue cooking.

SELECTING THE PRE-SET COOKING FUNCTION

- Press the pre-set cooking function icon and the appliance will skip through the pre-set cooking to your desired setting. The selected pre-set cooking function will flash.
- When you have selected the pre-set cooking function, on the LED digital display the default temperature and time for that setting will flash and alternate between the two.

LIGHT

- The LIGHT icon can be pressed at any stage to turn on the light to illuminate the cooking cavity.
- If the appliance is paused and the basket is opened the light turns on (1min).

OPENING THE BASKET

- To open the basket at any stage, pull out the basket directly.
- If the basket is opened during the cooking process, the appliance will beep 2 times. The heating element, fan and light will stop working and the display will show “ERR”.
- When you close the basket during the cooking process, the appliance will keep working.

END OF COOKING PROCESS

- When the cooking process is completed, the LED display will show “END”, and the appliance will beep 3 times.
- The appliance will return to standby mode, the fan will run for 20 seconds and then stop.

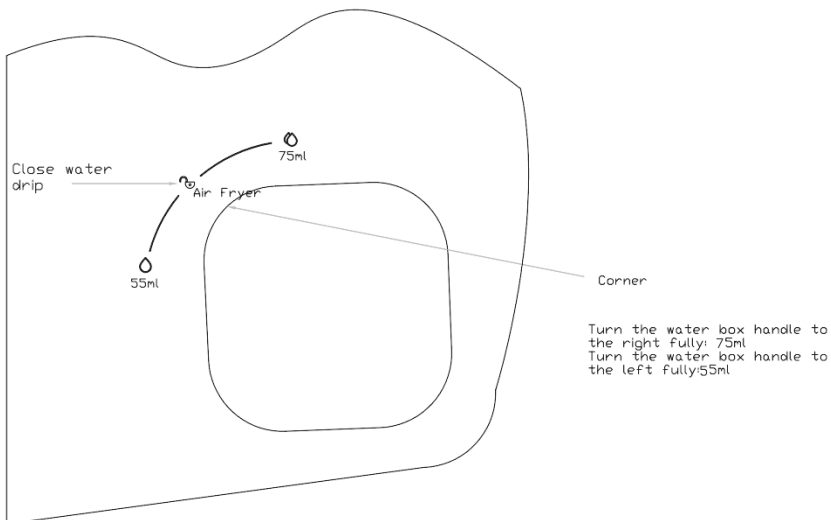
SHAKE FUNCTION

- The shake function is only functional, if the cooking menu is more than 6 minutes.
- When the cooking time is two-thirds of the way, the appliance will beep 2 times for 10 seconds and the LED digital display will show “SHK”, except for the Pizza, Cake, Defrost and Re-heating programs.
- Remove the basket, shake and then replace. The appliance will keep working. “SHK” will disappear off the LED digital display and it will continue to display and alternate between the temperature and time.
- After the appliance has beeped 2 times, the LED digital display will not continue to show “SHK” and the time remaining will alternate, if you do not open the basket.
- During the cooking process, if you adjust the time, the appliance will beep 2 times, and the LED digital display will show “SHK” two-thirds of the way through the newly updated time.

MENU PRESETTING

MENU	DEFAULT TEMPERATURE (°C)	ADJUSTABLE TEMP RANGE (°C)	DEFAULT TIME (min)	ADJUSTABLE TIME RANGE (min)	SHAKE
DIY	200	35-200	18	1-60	YES
Chicken Wing	200	35-200	15	1-60	YES
Fish	200	35-200	18	1-60	YES
French Fries	200	35-200	20	1-60	YES
Pizza	200	35-200	12	1-60	NO
Lamb Chop	200	35-200	13	1-60	YES
Shrimp	200	35-200	11	1-60	YES
Steak	200	35-200	12	1-60	YES
Chicken	200	35-200	42	1-60	YES
Cake	180	35-200	16	1-60	NO
Defrost	55	35-200	30	1-60	NO
Re-Heat	200	35-200	5	1-60	NO

WATER BOX FUNCTION INTERFACE



1. **Air fryer Mode:** When the water box is rotated to the point where the conner is aligned with this icon, the water box is closed, and no water will be replenished;
2. When you need to **remove or reinstall** the water box, you rotate it to align the water box Conner with "Air Fryer" icon before proceeding.
3. **75ml water:** Turn the water box to the right fully. Juicy roast to replenish water.
4. **55ml water:** Turn the water box to the left fully. Less juicy roast to replenish water.

WATER BOX INSTRUCTIONS

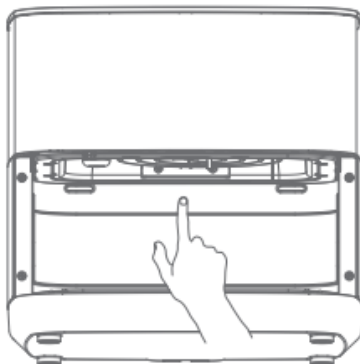
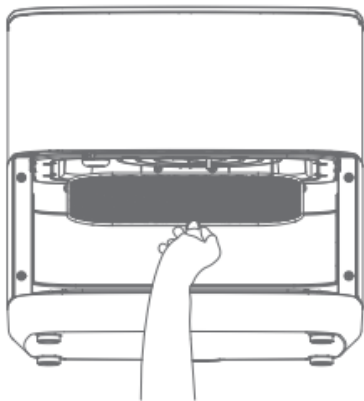
1. Remove the water box cover and inject pure water into the water tank required for the water box;
2. Rotate the water box to the required water filling function;
3. Align the corner of the water box cover with the limiting rib at the front end of the water box and replace the water box cover;
4. After water filling is completed, rotate the water box to the water box closed position (Conner aligns with waterless baking).

Note:

1. Please add pure water when filling water, the filling height should not exceed the max line, and the oil filter must be installed in place before filling water;
2. Please add water at least 10 minutes before the program is completed, and add water at most once within 15 minutes;
3. If you need to take out or put in the water box, please first turn the water box until the arrow is aligned with the waterless grill and then take it out or put it in;
4. It is not recommended that users remove the sealing ring, water outlet rod and spring of the water box. If they are accidentally removed, please install them back as they were;
5. After water is added, the evaporation of water absorbs heat, which will cause the furnace core temperature to drop. Please extend the air frying time appropriately.
6. When removing the detachable heater net, there may be a small amount of unevaporated water in the water collecting ring. Please hold the oil filter by one corner and remove it steadily to avoid Wet by the residual water in the water collecting ring;
7. If water accidentally drops to the bottom of the cavity, please wipe it clean with a dry cloth after the machine cools down

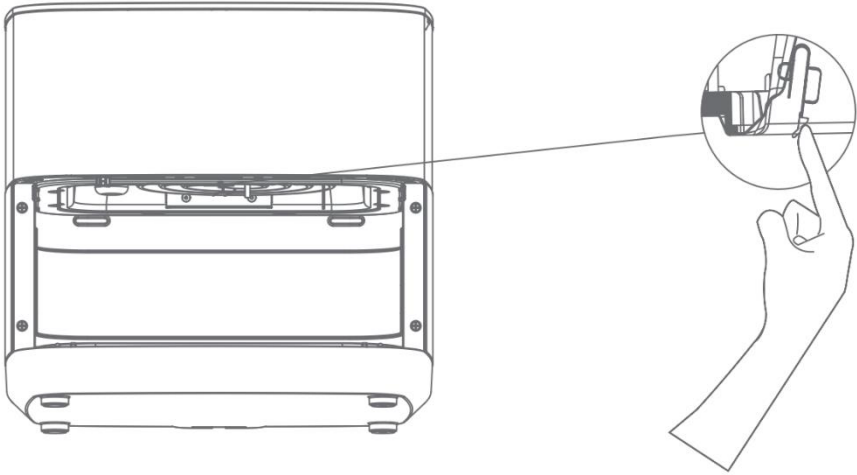
HOW TO ASSEMBLE THE HEATER NET

After the unit cool down, place one end of the heater net on the rear bracket, lift the other end of the oil filter net, and secure it in place with a latch once it is laid flat.



HOW TO REMOVE THE HEATER NET

After the machine has cooled down, press the latch with your fingers to remove the heater net. (It is recommended to install the heater net when the machine is used for baking food to prevent the food from burning or the machine head from becoming greasy.)





CARE AND CLEANING

- Unplug the Air Fryer and let it cool completely before cleaning, approximately 30 minutes. If you remove the basket from the Air Fryer and place them on a heat resistant surface, it will cool down quicker.
- Clean thoroughly before using for the first time and after every use.
- Check the parts for wear or damage after every few uses.
- Do not use abrasive cleaners or steel wool.
- Never immerse the main unit in water or any other liquid.
- To clean the main unit and control panel, wipe with a clean, damp cloth and dry thoroughly before storing.
- To clean the basket and rack, wash in hot, soapy water using a non- abrasive sponge.
- If ingredients are stuck to the basket or rack, soak for 10 minutes before cleaning and use a sponge or soft bristled brush to dislodge.
- Clean the cooking cavities using a damp, non-abrasive cloth.
- Clean the heating element using a clean dry brush.
- Store the Air Fryer with the power cable loosely coiled. Never wrap it tightly around the product.

TROUBLESHOOTING

PROBLEM	POSSIBLE CAUSE	SOLUTION
The Air Fryer doesn't work	<ul style="list-style-type: none">• The Air Fryer is not plugged in• The Air Fryer has turned itself off.	<ul style="list-style-type: none">• Plug the cord into the wall outlet. To begin, press the power button.• Make sure the frying basket/drawer is assembled correctly and fully inserted into the air fryer.
Food is not cooked	<ul style="list-style-type: none">• The frying basket is overloaded.	<ul style="list-style-type: none">• Air fry smaller batches of food.• Shake food 2- or 3-times during cooking process.• Increase temperature.• Increase air fry time.
Food is not fried evenly	<ul style="list-style-type: none">• The frying basket is overloaded.	<ul style="list-style-type: none">• Air fry smaller batches of food.• Apply a light even coat of spray oil to food before frying.• Shake food 2- or 3-times during cooking process.
White smoke coming from the air fryer	<ul style="list-style-type: none">• The frying basket is overloaded with oil.• The frying basket and drawer have not been cleaned.	<ul style="list-style-type: none">• When frying oily foods, such as bacon, you may need to clean out the frying basket drawer more often.• Clean the frying basket and drawer after each use.

CORRECT DISPOSAL OF THIS PRODUCT

 	<p>This marking indicates that this product should not be disposed with other household wastes throughout the EU. To prevent possible harm to the environment or human health from uncontrolled waste disposal, recycle it responsibly to promote the sustainable reuse of material resources. To return your used device, please use the return and collection systems or contact the retailer where the product was purchased. They can take this product for environmental safe recycling.</p>
--	---

DECLARATION OF CONFORMITY

Herewith, we state that this product, complies with the requirements of below directives:

EMC-Directive: 14 / 30 / EU

Low Voltage Directive: 14 / 35 / EU

ErP Directive 09 / 125 / EC

CE Marking: 93 / 68 / EEC

RoHS Directive: 11 / 65 / EU & 15 / 863 / EU

The detailed declaration of conformity can be found at

www.morris.gr.





KALLIOPI KARIDA & CO, LP

87A, 17is Noemvriou str., P.C. 55535,
Pylaia, Greece
Tel. +30 2316 006600
www.morris.gr