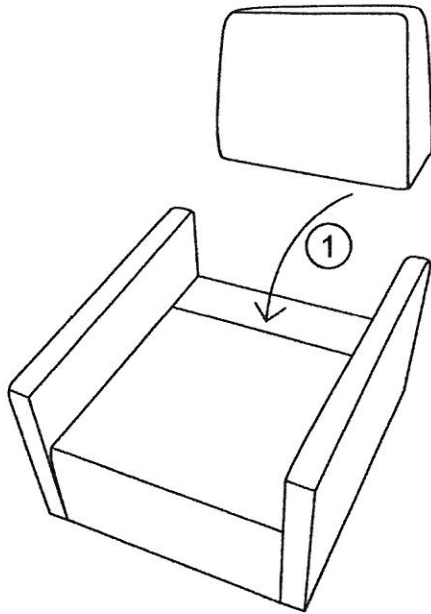
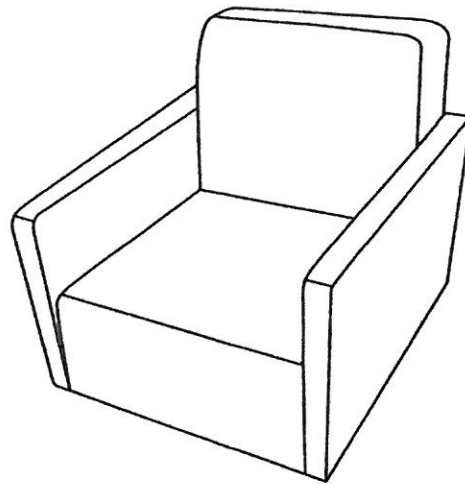


E948,31 H19

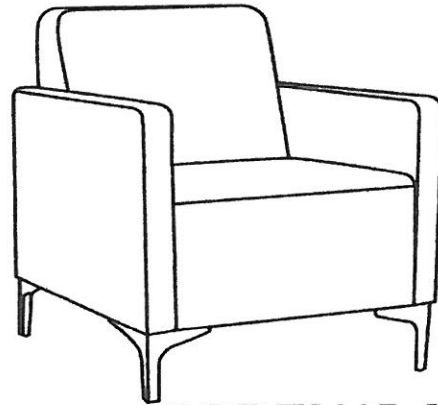
ASSEMBLING INSTRUCTIONS

②

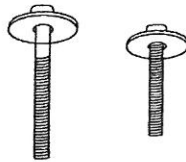
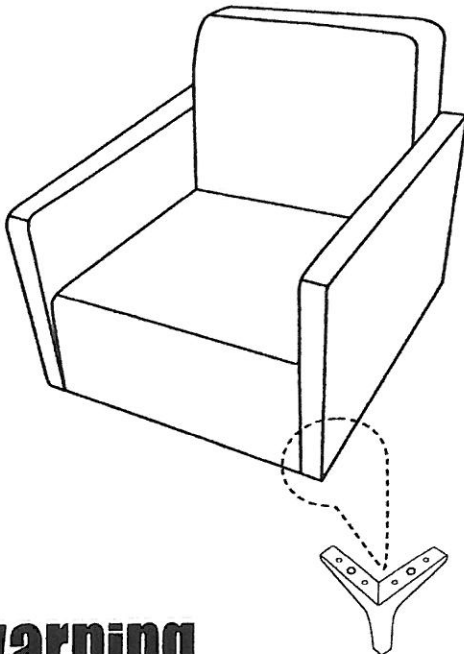
- 1,back
- 2,seat
- 3,legs x 4



④



③



SCREWS LIST:

1SEAT:
Screws:M8 x 60 4PCS
Washers:M8 4pcs
Tapping screws: M5 16pcs

2SEAT:
Screws:M8 x 60 6PCS
Washers:M8 6pcs
Tapping screws: M5 16pcs

3SEAT:
Screws:M8 x 60 10PCS
Washers:M8 10pcs
Tapping screws: M5 16pcs

warning

- 1,The chair should not be assembled if any fittings are missing from package.
- 2,The fittings for the sofa should be tightened half a year.
- 3,Do not sit on arms .
- 4,damp cloth recommended to clean the covering of the sofa.