

**xiaomi** 智能空氣炸鍋 6.5L 使用說明書 · 1

Xiaomi Smart Air Fryer 6.5L User Manual · 9

دليل مستخدم مقلاة Xiaomi الهوائية الذكية 6.5 لتر · 19



使用產品前請仔細閱讀本說明書，並妥善保管。

感謝選擇使用 Xiaomi 智能空氣炸鍋 6.5L，本產品僅限於家庭使用。

說明書中的產品、配件、使用者介面等插圖均為示意圖，僅供參考。

由於產品的更新與升級，產品實物與示意圖可能略有差異，請以實物為準。

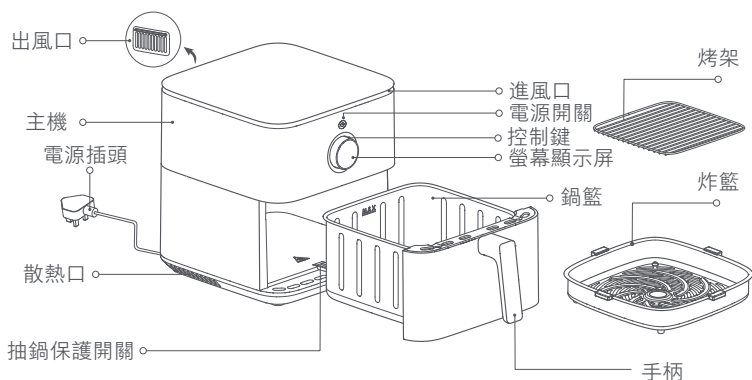
## 安全須知

- 8 歲或以上兒童，以及上述生理、感知或智力能力不足，或缺乏經驗和知識的人士可以在接受有關安全使用本裝置的監督和指導，並理解本裝置所含風險的情況下使用本裝置。兒童不得將本裝置當作玩具使用。除非兒童已超過 8 歲且有人監督，否則不得進行清潔和維護。
- 請將本裝置及其電線放在 8 歲以下兒童接觸不到的地方。
- 僅限家用。
- 如果電源軟線損壞，為了避免危險，必須由製造商、其維修部或類似部門的專業人員更換。
- 裝置運作期間，可觸摸表面的溫度可能會升高。
- 表面在使用期間容易發熱。
- 裝置不得透過外部計時器或單獨的遙控器系統進行操作。
- 空氣炸鍋使用過程中，出風口禁止放置任何物品，以免影響空氣炸鍋正常散熱。
- 非專業維修人員禁止私自改動空氣炸鍋內部佈線。
- 不可使用木炭或類似燃料對鍋籃、炸籃及烤架進行加熱。
- 請勿將鍋籃放置到其它熱源上進行加熱（如電磁爐、燃氣爐）。
- 請不要用潮濕的手插入或拔出電源插頭，以免造成觸電危險。
- 請勿使用鬆動或接觸不良的電源線。
- 請勿讓電源線穿越鋒利物品，以免損壞電源線。
- 不要使用空氣炸鍋儲存任何物品，特別是易燃、易爆、易腐蝕物品。
- 請勿過度擰捏、彎曲電源線，或者使用電源線捆綁或承載重物，以免線芯折斷或裸露。
- 如空氣炸鍋發生異常或故障時，請立即停止使用，並拔掉電源插頭。
- 空氣炸鍋在沒有裝入鍋籃時不可開啟。
- 使用中或剛剛使用完後，請勿用手直接接觸鍋籃，以免高溫燙傷。
- 請勿讓兒童靠近或玩弄塑膠薄膜和包裝箱，以免產生窒息事故。
- 請勿用塑膠器具或紙包裝物料包裹食物進行烹煮。
- 請不要摔落本空氣炸鍋或碰撞堅硬物，以免造成損傷和故障。
- 請勿向空氣炸鍋孔洞插入大頭針、鐵絲或其他物品，以免觸電、受傷。
- 任何未經廠家推薦的配件不可使用。
- 產品正常工作的海拔高度範圍為 0-2000 米。
- 使用中，出風口距其他裝置應該保持 30 公分以上。
- 空氣炸鍋在使用中，請勿移動和晃動。
- 不能用任何異物塞入抽鍋保護開關，以免造成危險。
- 放入廚房壁櫃等地方使用時，請注意保持通風。
- 在清潔或修理空氣炸鍋時，請務必先斷電再操作。
- 產品必須在平穩、耐熱台面使用，以免產品損壞或發生意外。
- 空氣炸鍋上的矽膠件避免與乙醇或酒精含量大於 50% 的溶液接觸。
- 請可靠接地，接地不良會造成觸電並引發意外事故。



注意：熱表面

## 產品介紹



- 提示：1. 炸籃上的炸籃矽膠採用耐高溫的食品級材料製成，可防止炸籃邊緣刮傷鍋籃塗層，同時有助於炸籃的平穩放置，請勿將炸籃矽膠拆下。  
2. 過小的食材不適合使用烤架，請確保食材不會從烤架的縫隙中掉落。

## 控制鍵



- 1  
點按  
確認選項



- 2  
長按 1 秒  
返回功能表上一頁



- 3  
左右旋轉  
切換功能選項



- 4  
按電源開關  
開機/關機

## 使用

連接電源線，按電源開關鍵開機。

- 提示：1. 首次通電，按電源開關鍵，進入語言選擇介面，旋轉控制鍵設定語言，點按旋鈕確認選擇語言。  
2. 首次使用可能存在少許氣味，建議使用最大溫度 (220 °C) 空燒 5 分鐘，去除氣味。空燒過程中可能出現少量白煙或氣味，屬於正常現象。

### 開機

連接電源線，按電源開關鍵開機。

### 關機

任何狀態下，按電源開關鍵即可關機。



## 設定 Wi-Fi

- 重設 Wi-Fi:

在「Wi-Fi」介面按控制鍵進入「重設 Wi-Fi」，按控制鍵選擇「是」重設 Wi-Fi，旋轉控制鍵選擇「否」則放棄重設 Wi-Fi。

- 開啟/關閉 Wi-Fi:

在「Wi-Fi」介面按控制鍵進入「開啟/關閉 Wi-Fi」，按控制鍵選擇「是」即可開啟或關閉 Wi-Fi，旋轉控制鍵選擇「否」則放棄變更。

## Wi-Fi 狀態顯示

			
等待快連中	掉線重連中	連接成功	升級中
Wi-Fi 慢閃	Wi-Fi 快閃	Wi-Fi 常亮	Wi-Fi 快閃

提示：30 分鐘內不連接 Wi-Fi，Wi-Fi 指示燈熄滅。

## 韌體升級

通過米家 APP 進行系統升級時，螢幕顯示升級中，升級完成後裝置自動重啟。

提示：除以下狀態外，米家 APP 都可以下發系統升級任務：1. 關機/黑屏；2. Wi-Fi 斷開。升級狀態下不可進行其他操作。

## 連接米家App

本產品已連接米家，可透過米家App操控，並與其他產品互聯互通。



- 掃描QR Code，下載並安裝米家App，已安裝米家App的用戶將直接進入裝置連接頁面。或在 Google Play 商店及 Apple App Store 搜尋「米家」，下載並安裝米家App。
- 打開米家 App 首頁，在頁面右上角點擊「+」，根據 App 提示方式新增裝置。

提示：由於米家 App 的升級與更新，實際操作可能與本產品描述略有差異，請按照目前最新米家 App 版本指引進行操作。

## 烹煮

### 準備工作

可根據個人偏好，在烹煮前對食材進行醃制。

## 開始烹煮

1. 空氣炸鍋平穩擺放於平坦的桌面上，且保持空氣炸鍋周圍空氣流通。

2. 炸板放於鍋籃，陸續放入食材。若食材較多，可使用烤架分層擺放。

提示：不使用烤架分層擺放食材會影響烹煮效果。

3. 將鍋籃完全推入空氣炸鍋內後，旋轉並點按控制鍵選擇手動模式或預置菜譜（乳酪、雞翅、薯條等），旋轉並點按可設定模式（脆烤/脫脂，僅部分菜譜支援）、食材用量（單層/雙層）、溫度和時間，點按控制鍵開始烹煮並進入烹煮倒計時。對於預約烹煮程式，空氣炸鍋會在合適的時間自動啟動烹煮，確保在預約時間完成烹煮。

提示：

1. 在烹煮狀態下，旋轉控制鍵可調節烹煮時間和溫度（乳酪除外）。脫脂模式下烹煮只支援修改烹煮時間，不支援修改烹煮溫度。

2. 旋轉控制鍵調節烹煮時間和溫度後，需按控制鍵確認，否則 5 秒後按原定時間繼續烹煮。

3. 烹煮中不能切換菜單。

4. 食材在烹煮過程中無需翻動，薯條除外。當薯條選擇食材量大於 500 克，會有提醒中途抽鍋翻動，請根據提示抽出鍋籃對食材進行翻動操作，再將鍋籃完全推入空氣炸鍋內，按控制鍵繼續烹煮。

5. 空氣炸鍋發出提示音，顯示螢幕顯示「烹煮完成」，表示烹煮已完成（部分食譜烹煮完成後會進入保溫狀態，顯示「保溫中」），請小心抽出鍋籃，用夾具取出食物。

注意：剛剛結束烹煮時，鍋籃處於高溫狀態，請勿觸碰，謹防燙傷。

## 其他操作

### 1. 語言設定

• 開啟空氣炸鍋，進入設定，按控制鍵進入多語選擇介面。

• 旋轉控制鍵至所需的語言，按控制鍵確認。

## 2. 手動模式

- 空氣炸鍋進入開機狀態，按控制鍵進入手動模式，旋轉控制鍵調節所需烹煮溫度，按控制鍵進入時間調節，旋轉控制鍵調節所需烹煮時間，按控制鍵開始按手動設定進行烹煮。

## 3. 溫度/時間調節

- 系統允許溫度調節範圍：40 °C ~ 220 °C；系統允許時間調節範圍：0-24 h。
- 調節烹煮時間或預約完成時間時，注意旋轉控制鍵的速度，當時間可調節範圍 ≥ 60 分鐘，快速旋轉時，以 60 分鐘遞增或遞減，慢速旋轉時，以 1 分鐘遞增或遞減；當時間可調節範圍 < 60 分鐘，快速旋轉時，以 10 分鐘遞增或遞減，慢速旋轉時，以 1 分鐘遞增或遞減。
- 調節烹煮溫度時，溫度以 5 °C 遞增或遞減。
- 在菜譜烹煮模式下調節或修改時間參數時，當烹煮溫度為 80 °C ~ 220 °C，可調節烹煮時間 ≤ 1 小時；當烹煮溫度 < 80 °C，可調節烹煮時間 ≤ 24 小時。

## 4. 預約

- 按控制鍵選擇預約功能，左右旋轉旋鈕選擇預約食譜，設定烹煮溫度時間以及預約時間。空氣炸鍋會在合適的時間自動啟動烹煮，確保在預約時間完成烹煮，完成後進入保溫狀態或者結束烹煮。

提示：

1. 預約時間須大於烹煮時間且小於 24 小時。
2. 這裡的預約時間是指預約的完成時間。例如，當螢幕顯示為 02:40，表示烹煮將在 2 小時 40 分內完成。
3. 乳酪、烤果乾、解凍不支援預約功能。

## 5. 保溫功能

- 保溫預設開啟狀態，可在「設定」中進入「保溫設定」頁面，按控制鍵選擇開啟或關閉狀態。
- 保溫時間為 30 分鐘，保溫溫度為 80 °C。保溫中抽出鍋體時，保溫暫停，計時暫停，3 分鐘內合上鍋體，保溫繼續，計時繼續；3 分鐘後還沒合上鍋體，則保溫結束，直接返回對應食譜首頁。

注意：當保溫處於開啟狀態且烹煮溫度設定 ≥ 80 °C 時，烹煮完成後才會執行保溫操作。否則將直接進入烹煮完成介面，結束烹煮。

## 6. 暫停和取消烹煮

- 烹煮模式下，點按控制鍵暫停烹煮。烹煮中或暫停中長按控制鍵 1 秒，進入取消烹煮介面，選擇「是」取消烹煮，進入手動模式介面。

注意：烹煮中可以旋轉旋鈕修改溫度和時間參數，調節時對應數字閃爍，調節完成後點擊確認鍵按新參數執行。

## 7. 雲食譜模式

- 在米家 APP 上選取並下載雲食譜時，可以直接進行烹煮，烹煮完成進入手動模式介面。

注意：1. 下載雲食譜時可以點選預約功能。

2. 以下狀態不可以下載雲食譜：

- ① 關機/黑屏；② Wi-Fi 斷開；③ 烹煮中/預約中/保溫中；④ 鍋體抽出。

## 8. 裝置異常顯示

- 當裝置偵測有異常或故障時，螢幕顯示「E1」或「E2」，空氣炸鍋發出三聲短暫提示音。

## 清潔與保養

在對空氣炸鍋進行清潔和保養之前，先斷開空氣炸鍋電源，清洗空氣炸鍋時需抽出鍋籃，並待其冷卻至安全溫度後方可進行操作。

- 空氣炸鍋表面：

空氣炸鍋表面可用乾軟布或海綿取中性清洗劑擦拭。

- 鍋內：

對於附著在空氣炸鍋內的污漬，可用熱水稀釋適量洗滌劑塗抹於鍋內表面，靜置 10 分鐘左右，使用柔軟的海綿清水擦除清潔劑殘留。

- 鍋籃：

每次使用後都應清潔空氣炸鍋。空氣炸鍋鍋籃覆有塗層，切勿使用鋼絲球等金屬廚具或研磨性的清潔材料進行清潔，以免破壞塗層。

- 炸籃、烤架：

可用軟棉布或海綿取中性清潔劑進行擦拭，再用清水擦除清潔劑殘留。

提示：炸籃、烤架可分拆後放入洗碗機清潔；鍋籃支援水洗，也可使用洗碗機清潔；空氣炸鍋主機不支援水洗，也不可使用洗碗機清潔。

## 清潔注意事項

1. 空氣炸鍋使用完成後，請及時拔出電源插頭，不要將產品靠近火源或浸入水中。不要將電源線插頭直接放空氣炸鍋表面，防止插頭擦傷產品表面。
2. 清潔與保養應在空氣炸鍋冷卻後才可再進行。
3. 不要使用腐蝕性或研磨性的清潔劑或清潔器。

提示：對空氣炸鍋進行定期清潔與保養有利於延長空氣炸鍋的使用壽命。

## 維修提示

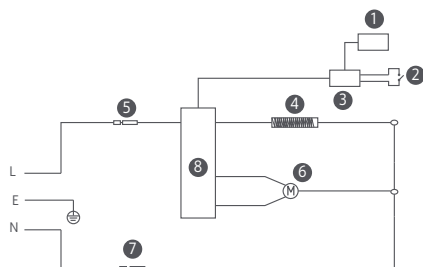
- 只有經過專業培訓並獲得空氣炸鍋維修資質的維修人員，才能對空氣炸鍋進行維修。
- 其他人員未經允許，不得擅自維修空氣炸鍋，以免造成嚴重後果。
- 當空氣炸鍋出現異常時，在聯絡客戶服務之前，請先參考《疑難排解》。
- 如果故障無法排除，請拔掉電源線插頭斷電，並聯絡售後服務。

## 疑難排解

故障現象	原因分析	解決方法
空氣炸鍋停止運作	空氣炸鍋未通電	將電源線插頭插入接地插座中
	鍋籃未推到位	拉出鍋籃，把鍋籃推到位
顯示螢幕訊息顯示 E1	感測器斷路	聯絡售後服務
顯示螢幕訊息顯示 E2	感測器短路	聯絡售後服務
風扇不轉	扇葉卡死	聯絡售後服務
	電機損壞或其他元器件斷路	聯絡售後服務
冒出白煙	正在烤制油脂較多的食材	烤制油脂較多的食材將有大量的煙滲漏，屬正常現象
	空氣炸鍋中還有殘留上次烹煮後的油脂殘渣	請務必在每次烹煮完成後清洗空氣炸鍋
不能很順利的將鍋籃推入產品內	鍋籃裡的食材過多	鍋籃內的食材不能超過最大指示
	鍋籃沒有準確裝置到位	將鍋籃正確裝置到位
預約功能不能按要求進行	預約時間過短	預約時間須大於烹煮時間
	預約時間未保存	預約好時間要按控制鍵儲存並執行
Wi-Fi 連接失敗	米家 APP 版本不是最新版	更新米家 APP 至最新版本
	Wi-Fi 訊號弱	移動到訊號足夠強的地方
無法連接空氣炸鍋	Wi-Fi 連接異常	檢查 Wi-Fi 是否正確連接或重設 Wi-Fi 重新連接

## 電氣原理圖

- ① LCD 螢幕
- ② 抽鍋保護開關
- ③ 控制板
- ④ 發熱管
- ⑤ 保險絲
- ⑥ 電機
- ⑦ 保險絲
- ⑧ 電源板



## 基本規格

產品名稱：空氣炸鍋	額定容量：6.5 L	
產品型號：MAF10	額定頻率：50-60 Hz	產品淨重：5.4 kg
額定功率：1800 W	額定電壓：220-240 V~	產品毛重：6.5 kg
最大輸出功率：< 20 dBm	包裝尺寸：425 × 330 × 355 mm	
工作溫度：-10 °C ~ 40 °C	運作頻率：2412-2472 MHz	
無線連接：Wi-Fi IEEE 802.11 b/g/n 2.4GHz		

在正常使用條件下，本設備的天線與消費者的身體之間應保持至少20cm的距離。

委託商：小米通訊技術有限公司  
製造商：寧波嘉樂智能科技股份有限公司  
(小米生態鏈企業)  
製造商地址：寧波杭州灣新區庵東工業區緯二路558號  
服務電話：852-30773620  
本產品售後服務請查詢官網：[www.mi.com/hk/service](http://www.mi.com/hk/service)

說明書版本號：V1.0

Read this manual carefully before use, and retain it for future reference.

Thank you for choosing Xiaomi Smart Air Fryer 6.5L. This product is for household use only. Illustrations of product, accessories, and user interface in the user manual are for reference purposes only. Actual product and functions may vary due to product enhancements.

## Safety Instructions

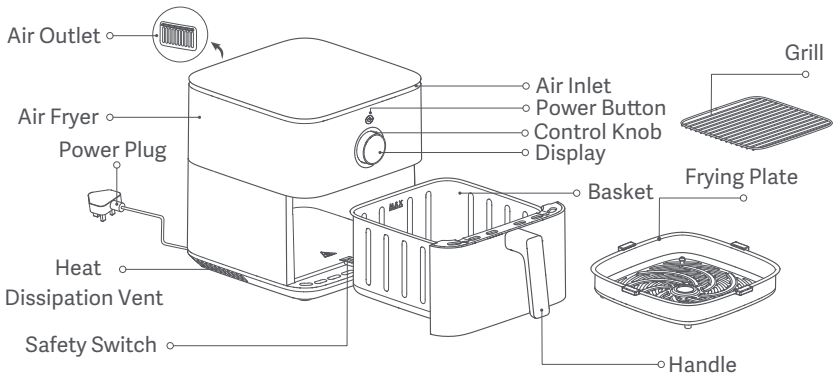
- This appliance can be used by children aged from 8 years and above and persons with reduced physical, sensory or mental capabilities or lack of experience and knowledge if they have been given supervision or instruction concerning use of the appliance in a safe way and understand the hazards involved. Children shall not play with the appliance. Cleaning and user maintenance shall not be made by children unless they are older than 8 and supervised.
- Please keep the air fryer and the power cord out of the reach of children aged under 8.
- For household use only.
- If the power cord is damaged or broken, it must be replaced by the manufacturer or after-sales service department to avoid safety hazards.
- The temperature of the accessible surface may rise while the air fryer is working.
- The surface will heat up easily while the air fryer is in use.
- The air fryer should not be operated via an external timer or a separate remote control.
- Do not block the air fryer's air inlet and outlet, nor the heat dissipation vents during use to avoid affecting its normal heat dissipation.
- Any non-professionally trained technicians should not modify the internal wiring of the air fryer.
- Do not use charcoal or other similar fuel sources to heat the basket, frying plate, or grill.
- Do not place the basket on any other heat sources, such as an induction cooker or gas stove.
- Do not plug or unplug the power cord with wet hands to avoid the risk of an electrical shock.
- Do not use a power cord with loose connection or poor contact.
- Do not let the power cord cross through sharp objects to avoid damage to the power cord.
- Do not use the air fryer to store any items, especially flammable, explosive, or corrosive items.

- Do not excessively pinch, bend, twist, or place heavy objects on the power cord to prevent from exposing or breaking its core.
- Stop using the air fryer immediately and unplug it from the power source if it doesn't function normally or malfunctions.
- The air fryer cannot be started without the basket being in place.
- Do not touch the basket directly with your hands during or right after use to avoid getting scalded.
- Do not allow children to get close to or play with the cling wrap and packaging to avoid suffocation accidents.
- Do not use any plastic utensils or normal paper wrapping materials to wrap food for cooking.
- Do not drop this air fryer or bump it against hard objects to avoid damage or malfunction.
- Do not insert pins, wires or other objects into any of the openings of the air fryer to avoid an electrical shock or injury.
- Do not use any accessories that are not recommended by the manufacturer.
- The normal operating altitude range of this product is 0–2000 meters.
- Keep a distance of 30 cm or more between the air outlet and other devices during use.
- Do not move or shake the air fryer during use.
- Do not insert any foreign objects into the safety switch to avoid causing any danger.
- When placing the air fryer in a kitchen cabinet, etc., please ensure that it is well ventilated.
- Please be sure to unplug the air fryer before cleaning or repairing it.
- This product must be used on a level, heat-resistant surface to avoid damage to the product or accidents.
- Ensure that the silicone parts of the air fryer do not come into contact with ethanol or solutions that contain more than 50% of alcohol.
- Please ensure that the electrical outlet the air fryer is plugged into is well grounded to avoid an electrical shock or other safety hazards.



CAUTION: Hot surfaces.

# Product Overview



Notes: 1. The silicone rubber on the frying plate is made of high temperature resistant food-grade materials to prevent the edges of the frying plate from scratching the coating of the basket and to improve the stability of the frying plate. Do not remove the silicone rubber from the frying plate.  
2. Ingredients that are too small are not suitable for use on the grill. Please make sure that ingredients don't fall through the gaps in the grill.

## Control Knob



1 Press to confirm selection.



2 Press and hold for 1 second to return to the previous menu.



3 Turn left/right to change functions.



4 Press the power button to turn on/off.

## How to Use

Connect the power cord and press the power button to turn on the air fryer.

Notes: 1. When the air fryer is turned on for the first time, press the power button and go to the language selection screen, turn the control knob to the desired language, then press the control knob to confirm the selection.  
2. The air fryer may give off a minor odor on first use. It is recommended to run the air fryer with an empty basket at the maximum temperature (220°C) for five minutes to remove the odor. The air fryer may emit a small amount of white smoke or an odor while running with an empty basket, which is normal.

### Turning on

Connect the power cord and press the power button to turn on the air fryer.

### Turning off





Press the power button to turn off the air fryer, regardless of the state it is in.



## Configuring the Wi-Fi

- **Resetting the Wi-Fi:**  
Press the control knob to enter "Reset Wi-Fi" while in the "Wi-Fi" screen, then press the control knob to select Yes to reset the Wi-Fi, or turn the control knob to select No to abandon resetting the Wi-Fi.
- **Enabling/Disabling the Wi-Fi:**  
Press the control knob to enter "Enable/Disable Wi-Fi?" while in the "Wi-Fi" screen, then press the control knob to select Yes to enable or disable the Wi-Fi, or turn the control knob to select No to abandon the change.

## Wi-Fi Status Indicator

			
Awaiting fast connection...	Reconnecting after a disconnection...	Connected successfully	Updating...
Wi-Fi indicator blinks slowly	Wi-Fi indicator blinks quickly	Wi-Fi indicator stays on	Wi-Fi indicator blinks quickly

Note: If the air fryer does not connect to the Wi-Fi for 30 minutes, the Wi-Fi indicator will turn off.

## Firmware update

When you update the firmware through the Mi Home/Xiaomi Home app, the display will show that an update is in progress, and the air fryer will automatically restart when the update is completed.

Note: The Mi Home/Xiaomi Home app will be able to update the firmware unless the air fryer or its display is turned off, or the Wi-Fi is disconnected.  
Other operations cannot be performed when the firmware update is in progress.

## Connecting with the Mi Home/Xiaomi Home App

This product works with the Mi Home/Xiaomi Home app\*. Control your device with Mi Home/Xiaomi Home app.



- Scan the QR code to download and install the app. You will be directed to the connection setup page if the app is installed already. Or search for "Mi Home/Xiaomi Home" in the app store to download and install it.
- Open the Mi Home/Xiaomi Home app, tap "+" on the upper right, and then follow the instructions to add your device.

\* The app is referred to as Xiaomi Home app in Europe (except for Russia). The name of the app displayed on your device should be taken as the default.

Note: The version of the app might have been updated, please follow the instructions based on the current app version.

## Cooking

### Preparations

The ingredients can be marinated to taste before cooking.

## Starting a cooking program

1. Place the air fryer on a stable, level surface and ensure that there is air circulation around the air fryer.

2. Place the frying plate into the basket and add ingredients one by one. If there are more ingredients, use the grill to place them in layers.

Note: Layering ingredients without using the grill will affect the cooking.

3. When the basket is completely pushed into the air fryer, turn and press the control knob to select the manual mode or the preset recipe (yogurt, chicken wings, fries, etc.), turn and press the control knob to set the mode (crispy grill/defat, supported by certain recipes), quantity of ingredients (single layer/double layer), temperature and time, and press the control knob to start the cooking program and the cooking time countdown. For a scheduled cooking program, the air fryer will automatically start cooking at a proper time to ensure that the cooking is completed at the scheduled time.

Notes:

1. The cooking time and temperature can be adjusted by turning the control knob during cooking, except for cooking yogurt. When cooking in the defat mode, you can only adjust the cooking time, not the cooking temperature.
2. Once you turn the control knob to adjust the cooking time or temperature, you need to press the control knob to confirm, otherwise the air fryer will continue to cook as per the original settings after five seconds.
3. You cannot change the recipe while cooking.

4. Ingredients do not need to be turned over during cooking (unless you are cooking fries). When you have selected over 500 g of fries, there will be a prompt to turn over the ingredients halfway. Follow the prompt to pull out the basket to turn over the ingredients, then place the basket completely back into the air fryer and press the control knob to continue cooking.

5. The air fryer will beep and "Completed" will appear on the display to indicate that the cooking program has been completed (for some recipes, the air fryer will enter the keeping warm state and display "Keeping warm..."). Carefully take out the basket and use clamps to remove the food.

CAUTION: When cooking is completed, the basket is very hot, so do not touch it to avoid getting scalded.

# Other Operations

## 1. Language settings

- Turn on the air fryer, go to settings, and press the control knob to enter the language selection screen.
- Turn the control knob to the desired language and press it to confirm.

## 2. Manual mode

- When the air fryer is turned on, press the control knob to enter the manual mode, then turn the control knob to the desired cooking temperature, press the control knob to set the time and turn the control knob to the desired cooking time, and finally press the control knob to start the manual cooking program.

## 3. Temperature/Time adjustment

- The temperature can be adjusted between 40°C and 220°C. The time can be adjusted between 0–24 hours.
- When adjusting the cooking time or scheduled completion time, pay attention to the speed in which you turn the control knob. When the adjusted time range is  $\geq 60$  minutes, turning the control knob quickly will adjust the time by 60 minutes, while turning the control knob slowly will adjust the time by 1 minute. When the adjusted time range is  $< 60$  minutes, turning the control knob quickly will adjust the time by 10 minutes, while turning the control knob slowly will adjust the time by 1 minute.
- The cooking temperature is adjusted by 5°C for each turn of the control knob.
- If you adjust or modify the time parameters in recipe cooking program, when the cooking temperature is between 80°C and 220°C, the adjustable cooking time is  $\leq 1$  hour; when the cooking temperature is  $< 80^\circ\text{C}$ , the adjustable cooking time is  $\leq 24$  hours.

## 4. Scheduled cooking

- Press the control knob to select the schedule function, turn the control knob to select the scheduled recipe, then set the cooking time and scheduled time. The air fryer will automatically start cooking at a proper time to ensure that the cooking is completed at the scheduled time, then enter the keeping warm state or finish cooking once done.

Notes:

1. The scheduled time must be longer than the cooking time, but less than 24 hours.
2. The scheduled time here is the scheduled completion time. For example, when the screen displays 02:40, it means that cooking will complete within 2 hours and 40 minutes.
3. The schedule function is not supported in yogurt, dried fruit, and defrost modes.

## 5. Keeping warm function

- The keeping warm function is enabled by default. You can disable it in the settings.
- The keeping warm time is 30 minutes, while the keeping warm temperature is 80°C. Keeping warm and its timing will be suspended if the basket is pulled out. If you place the basket back in within 3 minutes, keeping warm will continue at the retained time settings. If the basket is not placed back within 3 minutes, keeping warm will end, and the air fryer will return to the home screen of the corresponding recipe.

CAUTION: When keeping warm is on and the cooking temperature is set to  $\geq 80^{\circ}\text{C}$ , the keeping warm operation will be performed after the cooking is completed. Otherwise, the air fryer will directly finish cooking by entering the cooking completed screen.

## 6. Pause/Cancel cooking

- When the air fryer is in cooking mode, press the control knob to pause cooking. When the air fryer is cooking or paused, press and hold the control knob for one second to enter the canceling cooking screen. Select Yes to cancel cooking and enter the manual mode screen.

CAUTION: During cooking, you can turn the control knob to adjust the temperature and time parameters. The corresponding numbers will blink during adjustment. Once adjustment is completed, press the control knob to confirm the new parameters.

## 7. Cloud recipe mode

- If you select and execute a cloud recipe with the Mi Home/Xiaomi Home app, the air fryer will cook automatically according to the recipe. After cooking, the air fryer will enter the manual mode screen.

Notes: 1. When executing cloud recipes, you can select the schedule function.

2. You cannot execute cloud recipes in the following situations:

- ① The air fryer or its display is turned off.
- ② There is no Wi-Fi connection.
- ③ The air fryer is cooking, keeping warm, or in scheduled mode.
- ④ The basket has been pulled out.

## 8. Error message

- When the air fryer detects an error, the display will show "E1" or "E2", and the air fryer will emit three brief beeps.

## Cleaning & Maintenance

Unplug the power cord before cleaning and maintaining the air fryer, and wait for it to cool down to a safe temperature before proceeding. Please remove the basket from the air fryer when cleaning the air fryer.

- Air fryer surface:

The surface of the air fryer can be wiped with a dry, soft cloth or a sponge moistened with a neutral cleaning detergent.

- Cavity:

To remove stains from the inside of the air fryer, apply a suitable amount of detergent diluted in hot water to its surface and let it sit for about ten minutes, then use a soft sponge moistened with water to wipe away the detergent residue.

- Basket:

Clean the air fryer after each use. The basket of the air fryer is coated, so do not use any steel wool or other abrasive cleaning materials to clean it as they may damage the coating.

- Frying plate and grill:

You can use a soft, cotton cloth or sponge moistened with neutral detergent to wipe it clean, then moisten it with water to wipe away the detergent residue.

Note: The frying plate and grill can be separated and placed in the dishwasher for cleaning; the basket can be washed in water, and can be cleaned in dishwasher; however, the air fryer can neither be washed in water nor be cleaned in dishwasher.

## Cleaning Precautions

1. After using the air fryer, please unplug the power plug in time and do not place the air fryer near a source of fire nor immerse it in water. Do not place the power plug directly on the air fryer to prevent the plug from scratching its surface.
2. Cleaning and maintenance should only be done after the air fryer has cooled down.
3. Do not use any corrosive or abrasive cleaning materials or detergents.

Note: Regular cleaning and maintenance of the air fryer will help extend its service life.

## Maintenance Tips

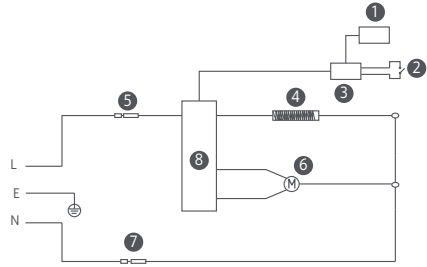
- Only professionally trained and qualified technicians should repair the air fryer.
- Others should not repair the air fryer without permission to avoid serious consequences.
- When the air fryer is acting abnormally, please refer to Troubleshooting before contacting the after-sales service team.
- If the issue cannot be resolved, please unplug the power cord and disconnect it and contact after-sales service team.

# Troubleshooting

Issue	Possible Causes	Solutions
The air fryer doesn't function.	The air fryer is not connected to a power supply.	Plug the power cord into a grounded electrical outlet.
	The basket is not pushed into place.	Pull out the basket and push it back into place.
Display shows E1.	The sensor has a broken circuit.	Contact the after-sales service team.
Display shows E2.	The sensor has a short circuit.	Contact the after-sales service team.
The fan doesn't rotate.	The fan blade is stuck.	Contact the after-sales service team.
	The motor is damaged or other components have a broken circuit.	Contact the after-sales service team.
White smoke is coming out.	Cooking oily ingredients.	When you fry ingredients containing more fat, there will be a lot of smoke, which is normal.
	The air fryer still contains grease residue from the previous cooking program.	Ensure that you clean the air fryer after each cooking program.
Can't insert the basket into the air fryer smoothly.	Too many ingredients in the basket.	The ingredients in the basket can't exceed the maximum mark.
	The basket is not properly inserted.	Properly insert the basket.
The schedule function doesn't function as requested.	The scheduled time is too short.	The scheduled time should be longer than the cooking time.
	The scheduled time is not saved.	The scheduled time should be saved and carried out by pressing the control knob.
Wi-Fi can't be connected.	The Mi Home/Xiaomi Home app is not the latest version.	Update the Mi Home/Xiaomi Home app to the latest version.
	The Wi-Fi signal is weak.	Move to a location where the signal is strong enough.
Unable to connect the air fryer.	Wi-Fi cannot be connected.	Check whether the Wi-Fi is connected normally or reset the Wi-Fi to reconnect.

# Electrical Diagram

- ① LCD Display
- ② Safety Switch
- ③ Control Panel
- ④ Heating Element
- ⑤ Fuse
- ⑥ Motor
- ⑦ Fuse
- ⑧ Power Board



# Specifications

Name: Oven (Air Fryer)	Capacity: 6.5 L	
Model: MAF10	Rated Frequency: 50–60 Hz	Net Weight: 5.4 kg
Rated Power: 1800 W	Rated Voltage: 220–240 V~	Gross Weight: 6.5 kg
Maximum Output Power: < 20 dBm	Package Dimensions: 425 × 330 × 355 mm	
Operating Temperature: -10°C to 40°C	Operating Frequency: 2412–2472 MHz	
Wireless Connectivity: Wi-Fi IEEE 802.11 b/g/n 2.4 GHz		

Under normal use of condition, this equipment should be kept a separation distance of at least 20 cm between the antenna and the body of the user.



Hereby, Ningbo Careline Electric Appliance Co., Ltd. declares that the radio equipment type Oven (Air Fryer) MAF10 is in compliance with Directive 2014/53/EU. The full text of the EU declaration of conformity is available at the following internet address: <http://www.mi.com/global/service/support/declaration.html>  
For detailed e-manual, please go to [www.mi.com/global/service/userguide](http://www.mi.com/global/service/userguide)



All products bearing this symbol are waste electrical and electronic equipment (WEEE as in directive 2012/19/EU) which should not be mixed with unsorted household waste. Instead, you should protect human health and the environment by handing over your waste equipment to a designated collection point for the recycling of waste electrical and electronic equipment, appointed by the government or local authorities. Correct disposal and recycling will help prevent potential negative consequences to the environment and human health. Please contact the installer or local authorities for more information about the location as well as terms and conditions of such collection points.



Hereby, Ningbo Careline Electric Appliance Co., Ltd., declares that the radio equipment type Oven (Air Fryer) MAF10 is in compliance with Radio Equipment Regulations 2017. The full text of the UK declaration of conformity is available at the following internet address: <https://www.mi.com/uk/service/support/declaration.html>

UK PSTI Statements of Compliance: <https://trust.mi.com/misrc>

The products comply with UK PSTI regulations (the relevant DoC can be found at the <https://www.mi.com/global/service/support/declaration.html>  
The support period with 10/30/2025 (end date)

### Power Consumption

- Standby mode: ≤ 0.5 W
- Standby with status display: ≤ 0.8 W
- Networked standby mode: ≤ 2.0 W
- Time to Enter the Condition
- Networked standby mode: ≤ 20 min

Manufactured for: Xiaomi Communications Co., Ltd.  
Manufactured by: Ningbo Careline Electric Appliance Co., Ltd.  
(a Mi Ecosystem company)

Address: No.558, Wei'er Road, Andong Industrial Zone, Hangzhou Bay New Area, Ningbo, 315327, Zhejiang, China  
For further information, please go to [www.mi.com](http://www.mi.com)

User Manual Version: V1.0

اقرأ هذا الدليل بعناية قبل الاستخدام واحتفظ به للرجوع إليه مستقبلاً.  
شكراً لكم على اختياركم مقلاة Xiaomi الهوائية الذكية 6.5 لتر. هذا المنتج للاستخدام المنزلي فقط.  
الرسوم التوضيحية للمنتج والملحقات وواجهة المستخدم في دليل المستخدم يتم توفيرها كمرجع فقط. وقد يختلف المنتج والوظائف الفعلية بسبب إدخال تحسينات على المنتج.

## تعليمات الأمان

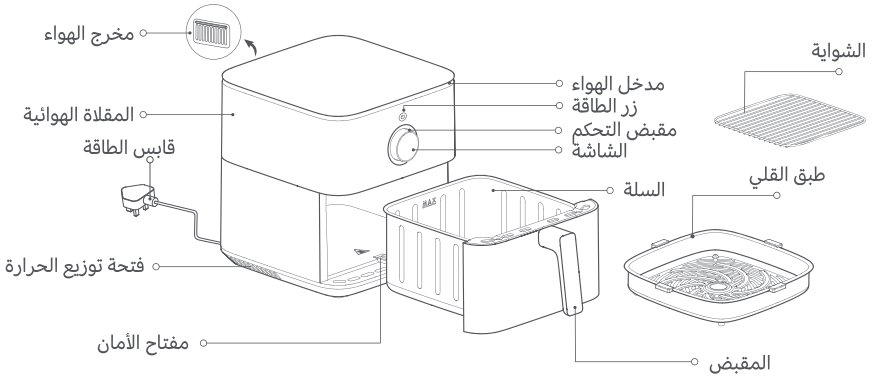
- يمكن للأطفال في سن 8 أعوام أو أكبر استخدام هذا الجهاز، وكذلك من يعانون من إعاقات جسدية أو حسية أو عقلية أو لديهم نقص في الخبرة والمعلومات بشرط الإشراف عليهم أو تزويدهم بتعليمات الاستخدام الآمن للجهاز وفهمهم للمخاطر المتعلقة به. يجب وضع الجهاز بعيداً عن متناول أيدي الأطفال. لا يجوز للأطفال العبث بالجهاز. ولا يجوز للأطفال القيام بأعمال التنظيف أو الصيانة ما لم يكونوا أكبر من 8 سنوات وتحت إشراف شخص بالغ.
- يرجى إبقاء المقلاة الهوائية وسلك الطاقة بعيداً عن متناول الأطفال ما دون 8 سنوات.
- للاستخدام المنزلي فقط.
- إذا كان سلك الطاقة تالفاً أو مُعطلاً، فيجب استبداله بواسطة الجهة المصنّعة أو قسم خدمة ما بعد البيع لتجنب مخاطر السلامة.
- قد ترتفع درجة حرارة السطح القابل للمس أثناء عمل المقلاة الهوائية.
- سيسخن السطح بسهولة أثناء استخدام المقلاة الهوائية.
- لا ينبغي استخدام المقلاة الهوائية عبر مؤقت خارجي أو جهاز تحكم مستقل عن بعد.
- لا تقم بسد مدخل الهواء والمخارج الخاصة بالمقلاة الهوائية، ولا فتحات توزيع الحرارة أثناء الاستخدام لتجنب التأثير على عملية توزيع الحرارة العادية الخاصة بها.
- لا يجوز لأي فنيين غير مدربين تدريباً مهنياً تعديل تمديدات الأسلاك الداخلية لـ المقلاة الهوائية.
- لا تستخدم الفحم أو أي مصادر وقود مماثلة أخرى لتسخين السلة أو طبق القلي أو الشواية.
- لا تضع السلة على أي مصادر حرارة أخرى، مثل الطباخ الحثي أو فرن الغاز.
- لا تقم بتوصيل أو فصل سلك الطاقة بيدتين مبتلتين لتجنب خطر التعرض لصدمة كهربائية.
- لا تستخدم سلك الطاقة إذا كان اتصاله مرتخياً أو ضعيف الاتصال.
- لا تدع سلك الطاقة يمر من خلال أشياء حادة لتجنب إتلاف سلك الطاقة.
- لا تستخدم المقلاة الهوائية لتخزين أي مواد، ولا سيما تلك المواد القابلة للاشتعال أو الانفجار أو التآكل.
- لا تفرط في الضغط على سلك الطاقة أو ثنيه أو لفه أو وضع أشياء ثقيلة عليه لمنع تعرية لفائف سلك الطاقة أو قطعها.
- توقف عن استخدام المقلاة الهوائية على الفور وقم ب فصلها من مصدر الطاقة إذا كانت لا تعمل بصورة طبيعية أو كان بها أعطال.

- لا يمكن بدء تشغيل المقلاة الهوائية بدون وجود السلة في مكانها.
- لا تلمس السلة مباشرة بيدك أثناء الاستخدام أو بعد الاستخدام مباشرة لتجنب التعرض للحرق.
- لا تسمح للأطفال بالاقتراب من كيس التغليف والعبوة أو اللعب بها لتجنب وقوع حوادث الاختناق.
- لا تستخدم أي أواني بلاستيكية أو مواد لف ورقية عادية للف الأطعمة للطهي.
- لا تسقط المقلاة الهوائية أو تصدمها بأشياء صلبة لتجنب وقوع ضرر أو عطل.
- لا تدخل أي مسامير أو أسلاك أو أشياء أخرى في أي من فتحات المقلاة الهوائية لتجنب التعرض لصدمة كهربائية أو إصابة.
- لا تستخدم أي ملحقات غير موصى بها من الشركة المصنعة.
- نطاق ارتفاع التشغيل العادي لهذا المنتج هو 0-2000 متر.
- أثناء الاستخدام، حافظ على مسافة 30 سم أو أكثر بين مخرج الهواء والأجهزة الأخرى.
- لا تحرك أو تهز المقلاة الهوائية أثناء الاستخدام.
- لا تدخل أي أشياء غريبة في مفتاح الأمان لتجنب التعرض لأي خطر.
- عند وضع المقلاة الهوائية في خزانة المطبخ وما إلى ذلك، يرجى التأكد من تهويتها بصورة جيدة.
- يرجى التأكد من فصل المقلاة الهوائية من التيار الكهربائي قبل تنظيفها أو صيانتها.
- يجب استخدام المنتج على سطح مستوي ومقاوم للحرارة لتجنب إتلاف المنتج أو وقوع حوادث.
- تأكد أن أجزاء السيلكون لـ المقلاة الهوائية لا تلامس الإيثانول أو المحاليل التي تحتوي على نسبة أكثر من 50% كحول.
- تأكد من أن المأخذ الكهربائي المقلاة الهوائية موصول ومؤرض بصورة صحيحة لتجنب التعرض لصدمة كهربائية أو المخاطر الأخرى المتعلقة بالسلامة.

تنبيه: أسطح ساخنة.



## نظرة عامة حول المنتج



ملاحظات: 1. مطاط السيلكون المستخدم في طبق القلي مصنوع من مواد غير ضارة بالطعام مقاومة لدرجة الحرارة العالية لمنع تسبب حواف طبق القلي بخدش طلاء السلة وتحسين ثبات طبق القلي. لا تتم بإزالة مطاط السيلكون من طبق القلي.  
2. المكونات التي تكون بالغة الصغر غير ملائمة للاستخدام على الشواية. يرجى التأكد من عدم وقوع تلك المكونات من خلال فجوات الشبكة.

## مقبض التحكم



## ما طريقة الاستخدام

قم بتوصيل سلك الطاقة واضغط على زر الطاقة لتشغيل المقلدة الهوائية.

ملاحظات: 1. عند تشغيل المقلدة الهوائية للمرة الأولى، اضغط على زر الطاقة وادّهب إلى شاشة اختيار اللغة، وقم بتدوير مقبض التحكم إلى اللغة المطلوبة، ثم اضغط على مقبض التحكم لتأكيد الاختيار.

2. قد تبعث رائحة طفيفة من المقلدة الهوائية عند استخدامها لأول مرة. يُنصح بتشغيل المقلدة الهوائية بسلة فارغة على درجة الحرارة القصوى (220 درجة مئوية) لمدة خمس دقائق لإزالة الرائحة. قد تبعث كمية صغيرة من الدخان الأبيض أو رائحة خلال تشغيل المقلدة الهوائية بسلة فارغة، وهذا أمر طبيعي.

## التشغيل

قم بتوصيل سلك الطاقة واضغط على زر الطاقة لتشغيل المقلدة الهوائية.

## إيقاف التشغيل

اضغط على زر الطاقة لإيقاف تشغيل المقلدة الهوائية، بصرف النظر الحالة التي تكون عليها.



## ضبط تكوين شبكة Wi-Fi

- إعادة ضبط إعدادات Wi-Fi:

اضغط على مقبض التحكم للدخول إلى "Reset Wi-Fi" عندما تكون في شاشة "Wi-Fi"، ثم اضغط على مقبض التحكم لاختيار Yes لإعادة ضبط Wi-Fi. أو قم بتدوير مقبض التحكم لاختيار No للتراجع عن إعادة ضبط Wi-Fi.

- تمكين/تعطيل Wi-Fi:

اضغط على مقبض التحكم للدخول إلى "Enable/Disable Wi-Fi?" عندما تكون في شاشة "Wi-Fi"، ثم اضغط على مقبض التحكم لاختيار Yes لتمكين أو تعطيل Wi-Fi. أو قم بتدوير مقبض التحكم لاختيار No للتراجع عن التغيير.

## مؤشر حالة Wi-Fi

📶	📶	📶	📶
جار التحديث...	تم الاتصال بنجاح	إعادة الاتصال بعد فصل الاتصال...	بانتظار الاتصال السريع...
مؤشر Wi-Fi يومض بسرعة	مؤشر Wi-Fi يبقى مضيئاً	مؤشر Wi-Fi يومض بسرعة	مؤشر Wi-Fi يومض ببطء

ملاحظة: إذا لم تتصل المقلاة الهوائية بشبكة Wi-Fi لمدة 30 دقيقة، سيتوقف مؤشر Wi-Fi.

## تحديث البرنامج الثابت

عند تحديث البرنامج الثابت من خلال تطبيق Mi Home/Xiaomi Home، ستعرض الشاشة أن التحديث قيد التقدم، وسوف تعيد المقلاة الهوائية التشغيل تلقائياً بعد اكتمال عملية التحديث.

ملاحظة: سيكون تطبيق Mi Home/Xiaomi Home قادراً على تحديث البرنامج الثابت ما لم تكن المقلاة الهوائية أو الشاشة الخاصة بها متوقفة عن التشغيل، أو كان اتصال Wi-Fi مفصلاً.

لا يمكن القيام بأي عمليات أخرى أثناء تقدم تحديث البرنامج الثابت.

## الاتصال بتطبيق Mi Home/Xiaomi Home

يعمل هذا المنتج مع تطبيق Mi Home/Xiaomi Home\*. تحكم في جهازك من خلال تطبيق Mi Home/Xiaomi Home.

• امسح كود QR ضوئياً لتنزيل التطبيق وتثبيته. سيتم توجيهك إلى صفحة إعداد الاتصال في حال كان التطبيق مثبتاً بالفعل. أو ابحث عن "Mi Home/Xiaomi Home" في متجر التطبيقات لتنزيله وتثبيته.

• افتح تطبيق Mi Home/Xiaomi Home، واضغط على "+" في أعلى الجانب الأيسر، ثم اتبع المطالبات لإضافة جهازك. \* تتم الإشارة إلى التطبيق باسم تطبيق Xiaomi Home في أوروبا (عدا روسيا)، وبنبغي التعامل مع اسم التطبيق الذي يظهر على جهازك على أنه افتراضي. ملاحظة: ربما قد تم تحديث إصدار التطبيق، الرجاء اتباع التعليمات استناداً إلى إصدار التطبيق الحالي.



67CE8213

## الطهي

### التحضيرات

يمكن تبديل المكونات حسب الذوق قبل الطهي.

## بدء تشغيل برنامج طهي

1. ضع المقلاة الهوائية على سطح ثابت ومستوى وتأكد من وجود دوران للهواء حول المقلاة الهوائية.

2. ضع طبق القلي في السلة وأضف المكونات واحداً تلو الآخر. إذا كان هناك المزيد من المكونات، استخدم الشواية لوضعها في طبقات.

ملاحظة: تكديس المكونات بدون استخدام الشواية من شأنه أن يؤثر على الطهي.

3. عند دفع السلة بالكامل داخل المقلاة الهوائية، قم بتدوير مقبض التحكم والضغط عليه لتحديد الوضع اليدوي أو الوصفة المحددة مسبقاً (زبادي، أجنحة دجاج، بطاطس مقلية، إلخ)، ثم تدوير مقبض التحكم والضغط عليه لتحديد الوضع (شواية مقرمشة/ إزالة الدهون، مدعوم ببعض الوصفات)، كمية المكونات (طبقة واحدة / طبقة مزدوجة)، درجة الحرارة والوقت، واضغط على مقبض التحكم لبدء برنامج الطهي والعد التنازلي لوقت الطهي. في حالة برنامج الطهي المجدول، ستقوم المقلاة الهوائية بالبدء في الطهي تلقائياً في الوقت المناسب لضمان الانتهاء من الطهي في الوقت المحدد.

ملاحظات:

1. يمكن تعديل وقت الطهي ودرجة الحرارة بتدوير مقبض التحكم أثناء الطهي، باستثناء حالة طهي الزبادي. عند الطهي في وضع إزالة الدهون، يمكنك فقط تعديل وقت الطهي، وليس درجة حرارة الطهي.
2. بمجرد تدوير مقبض التحكم لتعديل وقت الطهي أو درجة الحرارة، عليك الضغط على مقبض التحكم للتأكيد، وإلا فإن المقلاة الهوائية ستواصل الطهي حسب الإعدادات الأصلية بعد خمس ثوانٍ.
3. لا يمكنك تغيير الوصفة أثناء الطهي.

4. لا حاجة لتقليب المكونات أثناء الطهي (ما لم تكن تطهوا بطاطس مقلية). عندما تختار أكثر من 500 غم من البطاطس المقلية، سيظهر تنبيه لتقليب المكونات في منتصف عملية الطهي. اتبع التنبيه لسحب السلة وتقليب المكونات، ثم ضع السلة بالكامل داخل المقلاة الهوائية واضغط على مقبض التحكم لمواصلة الطهي.

5. ستصدر المقلاة الهوائية صوت تنبيه وستظهر على الشاشة عبارة "Completed" للإشارة إلى اكتمال برنامج الطهي (في بعض الوصفات، ستدخل المقلاة الهوائية في حالة الاحتفاظ بالدفء وستعرض "Keeping warm..."). أخرج السلة بحذر واستخدم الملاقط لإخراج الطعام.

تنبيه: عند اكتمال الطهي، تكون السلة ساخنة للغاية، لذلك لا تلمسها لتجنب التعرض للحرق.

# عمليات أخرى

## 1. إعدادات اللغة

- شغّل المقلاة الهوائية، اذهب إلى الإعدادات، واضغط على مقبض التحكم للدخول إلى شاشة اختيار اللغة.
- قم بتدوير مقبض التحكم إلى اللغة المطلوبة واضغط عليها للتأكيد.

## 2. الوضع اليدوي

- عندما تكون المقلاة الهوائية في وضع التشغيل، اضغط على مقبض التحكم لدخول الوضع اليدوي، ثم قم بتدوير مقبض التحكم إلى درجة حرارة الطهي المطلوبة، واضغط على مقبض التحكم لضبط الوقت وقم بتدوير مقبض التحكم إلى وقت الطهي المطلوب، وأخيراً اضغط على مقبض التحكم لبدء برنامج الطهي اليدوي.

## 3. تعديل درجة الحرارة/ الوقت

- يمكن تعديل درجة الحرارة بين 40 درجة مئوية و220 درجة مئوية. ويمكن تعديل الوقت بين 0-24 ساعة.
- عندما تقوم بضبط وقت الطهي أو وقت الانتهاء المجدول، يرجى الانتباه إلى سرعة تدوير مقبض التحكم. عندما يكون نطاق الوقت المعدل  $\leq 60$  دقيقة، سيؤدي تدوير مقبض التحكم بسرعة إلى ضبط الوقت بمقدار 60 دقيقة، في حين سيؤدي تدوير مقبض التحكم ببطء إلى ضبط الوقت بمقدار 1 دقيقة. عندما يكون نطاق الوقت المعدل  $> 60$  دقيقة، سيؤدي تدوير مقبض التحكم بسرعة إلى ضبط الوقت بمقدار 10 دقائق، في حين سيؤدي تدوير مقبض التحكم ببطء إلى ضبط الوقت بمقدار 1 دقيقة.
- يتم ضبط درجة الحرارة للطهي بمقدار 5 درجات مئوية لكل دورة في مقبض التحكم.
- إذا قمت بضبط أو تعديل معلمات الوقت في برنامج طهي الوصفة، عندما تكون درجة حرارة الطهي بين 80 درجة مئوية و 220 درجة مئوية، يكون وقت الطهي القابل للتعديل  $\geq 1$  ساعة؛ عندما تكون درجة حرارة الطهي  $> 80$  درجة مئوية، يكون وقت الطهي القابل للتعديل  $\geq 24$  ساعة.

## 4. الطهي المجدول

- اضغط على مقبض التحكم لتحديد وظيفة الجدول الزمني، ثم قم بتدوير مقبض التحكم لتحديد الوصفة المجدولة، ثم اضبط وقت الطهي والوقت المجدول. ستبدأ المقلاة الهوائية تلقائياً في الطهي في الوقت المناسب للتأكد من إنهاء الطهي في الوقت المجدول، ثم تدخل وضع الاحتفاظ بالدفء أو تنتهي من الطهي عند الاكتمال.

ملاحظات:

1. ينبغي أن يكون الوقت المجدول أطول من وقت الطهي ولكن أقل من 24 ساعة.
2. الوقت المجدول هنا هو وقت الانتهاء المجدول. على سبيل المثال، عندما تعرض الشاشة 02:40، فهذا يعني أن الطهي سينتهي خلال 2 ساعات و 40 دقيقة.
3. وظيفة الجدول الزمني غير مدعومة في أوضاع الريادي والفاكهة المجففة وإذابة الجليد.

## 5. وظيفة الاحتفاظ بالدفء

- تكون وظيفة الاحتفاظ بالدفء مفعلة بالإعدادات الافتراضية. يمكنك تعطيلها في الإعدادات.
- وقت الاحتفاظ بالدفء هو 30 دقيقة، بينما تكون درجة حرارة الاحتفاظ بالدفء 80 درجة مئوية. سيتم إيقاف وظيفة الاحتفاظ بالدفء وتوقيتها إذا تم سحب السلة. إذا وضعت السلة مرة أخرى خلال 3 دقائق، فسيستمر الاحتفاظ بالدفء عند الإعدادات المحفوظة. إذا لم يتم وضع السلة مرة أخرى خلال 3 دقائق، فسيتم إنهاء الاحتفاظ بالدفء، وستعود المقلاة الهوائية إلى الشاشة الرئيسية للوصفة المعنية.
- تنبيه: عندما تكون وظيفة الاحتفاظ بالدفء مفعلة وتم تعيين درجة الحرارة على 80 درجة مئوية، فسيتم تنفيذ عملية الاحتفاظ بالدفء بعد انتهاء الطهي. وستتهي المقلاة الهوائية مباشرة بالطهي بالدخول في شاشة اكتمل الطهي.

## 6. إيقاف المؤقت/إلغاء الطهي

- عندما تكون المقلاة الهوائية في وضع الطهي، اضغط على مقبض التحكم لإيقاف الطهي مؤقتاً. عندما تكون المقلاة الهوائية في حالة الطهي أو متوقفة مؤقتاً، اضغط مع الاستمرار على مقبض التحكم لمدة ثانية واحدة للدخول في شاشة إلغاء الطهي. حدد Yes لإلغاء الطهي والدخول في شاشة الوضع اليدوي.
- تنبيه: خلال الطهي، يمكنك تدوير مقبض التحكم لضبط معلمات درجة الحرارة ومعلمات الوقت. ستومض الأرقام المقابلة خلال التعديل. بمجرد الانتهاء من الضبط، اضغط على مقبض التحكم لتأكيد المعلمات الجديدة.

## 7. وضع الوصفة على السحابة

- إذا قمت بتحديد وتنفيذ وصفة على السحابة باستخدام تطبيق Mi Home/Xiaomi Home ، ستقوم المقلاة الهوائية بالطهي تلقائياً وفقاً للوصفة. بعد الطهي، ستدخل المقلاة الهوائية إلى شاشة الوضع اليدوي.
- ملاحظات: 1. عند تنفيذ وصفات على السحابة، يمكنك تحديد وظيفة الجدول الزمني.
- 2. لا يمكنك تنفيذ وصفات على السحابة في الحالات التالية:
  - ① المقلاة الهوائية أو الشاشة الخاصة بها متوقفة عن التشغيل.
  - ② عدم توفر اتصال Wi-Fi.
  - ③ المقلاة الهوائية في حالة طهي أو الاحتفاظ بالدفء أو في الوضع المجدول.
  - ④ السلة مسحوبة لخارج.

## 8. رسالة الخطأ

- عندما تكتشف المقلاة الهوائية وجود خطأ، ستعرض الشاشة "E1" أو "E2"، وستصدر المقلاة الهوائية ثلاثة أصوات تنبيه قصيرة.

## التنظيف والصيانة

قم بفصل سلك الطاقة قبل تنظيف وصيانة المقلاة الهوائية، وانتظر حتى تبرد إلى درجة حرارة آمنة قبل المتابعة. يرجى إخراج السلة من المقلاة الهوائية عند تنظيف المقلاة الهوائية.

- سطح المقلاة الهوائية:  
يمكن مسح سطح المقلاة الهوائية بقطعة قماش جافة وناعمة أو اسفنجة مرطبة بمنظف محايد.
- التجفيف:  
إزالة اللطخات من الجزء الداخلي ل المقلاة الهوائية، استخدم كمية ملائمة من المنظف المخفف في ماء ساخن على سطحها واتركه راكداً لمدة عشر دقائق تقريباً، ثم استخدم اسفنجة ناعمة مبللة بالماء لمسح بقايا المنظف.
- السلة:  
نظف المقلاة الهوائية بعد كل استخدام. السلة الخاصة بالمقلاة الهوائية مطلية، لذلك لا تستخدم الخريس أو مواد تنظيف كاشطة أخرى لتنظيفها لأن ذلك ربما يتلف الطلاء.
- طبق القلي والشواية:  
يمكنك استخدام قطعة قماش قطنية ناعمة أو إسفنجة مبللة بمنظف محايد لمسحها وتنظيفها، بللها بالماء لمسح بقايا المنظف.
- ملاحظة: يمكن فصل طبق القلي والشواية ووضعها في غسالة الأطباق لتنظيفها؛ يمكن غسل السلة في الماء، ويمكن تنظيفها في غسالة الأطباق؛ إلا أنه لا يمكن غسل المقلاة الهوائية بالماء ولا تنظيفها في غسالة الأطباق.

## التدابير الوقائية للتنظيف

1. بعد استخدام المقلاة الهوائية، يرجى فصل قابس الطاقة في الوقت المناسب وعدم وضع المقلاة الهوائية بالقرب من مصدر للنار أو غمرها في الماء. لا تضع قابس الطاقة مباشرة على المقلاة الهوائية لتفادي خدش القابس لسطحها.
  2. لا تقم بتنظيف أو صيانة المقلاة الهوائية إلا بعد أن تبرد.
  3. لا تستخدم مواد تنظيف أو منظفات مسببة للتآكل أو كاشطة.
- ملاحظة: التنظيف والصيانة الدورية ل المقلاة الهوائية من شأنه أن يساعد في تمديد عمر خدمتها.

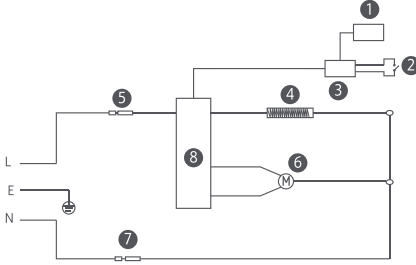
## نصائح الصيانة

- يمكن للفنيين المؤهلين والمدربين تدريباً مهنياً تصليح المقلاة الهوائية.
- ولا ينبغي لغيرهم تصليح المقلاة الهوائية دون إذن لتجنب وقوع أي عواقب خطيرة.
- عندما لا تعمل المقلاة الهوائية بصورة طبيعية، يرجى الرجوع إلى استكشاف الأخطاء وإصلاحها قبل الاتصال بفريق خدمة ما بعد البيع.
- في حال عدم التمكن من حل المشكلة، يرجى فصل سلك الطاقة وفصلها والاتصال بفريق خدمة ما بعد البيع.

## استكشاف الأخطاء وإصلاحها

المشكلة	الأسباب المحتملة	الحلول
المقلاة الهوائية لا تعمل.	المقلاة الهوائية غير موصولة بمصدر للطاقة.	قم بتوصيل سلك الطاقة بمأخذ كهربائي مؤرض.
	لم يتم دفع السلة في مكانها.	اسحب السلة للخارج وادفعها مجدداً في مكانها.
الشاشة تعرض E1.	هناك دائرة مفصولة في المستشعر.	تواصل مع فريق خدمة ما بعد البيع.
الشاشة تعرض E2.	هناك ماس كهربائي في المستشعر.	تواصل مع فريق خدمة ما بعد البيع.
	نصلة المروحة عالقة.	تواصل مع فريق خدمة ما بعد البيع.
المروحة لا تدور.	المحرك تالف أو هناك دائرة مفصولة في مكونات أخرى.	تواصل مع فريق خدمة ما بعد البيع.
دخان أبيض يخرج.	طهي مكونات دهنية.	عندما تطهوا مكونات تحتوي على دهون كثيرة، سيكون هناك الكثير من الدخان وهذا طبيعي.
	لا يزال هناك بقايا دهون في المقلاة الهوائية من برنامج الطهي السابق.	تأكد من تنظيف المقلاة الهوائية بعد كل برنامج طهي.
لا يمكنني إدخال السلة في المقلاة الهوائية بسلاسة.	هناك الكثير من المكونات في السلة.	لا يمكن أن تتجاوز المكونات في السلة علامة الحد الأقصى.
	لم يتم إدخال السلة بصورة صحيحة.	أدخل السلة بصورة صحيحة.
وظيفة الجدول الزمني لا تعمل كما هو مطلوب.	الوقت المجدول قصير للغاية.	ينبغي أن يكون الوقت المجدول أطول من وقت الطهي.
	لم يتم حفظ الوقت المجدول.	ينبغي حفظ الوقت المجدول وتنفيذه بالضغط على مقبض التحكم.
لا يمكن الاتصال بشبكة Wi-Fi.	إصدار تطبيق Mi Home/Xiaomi Home ليس أحدث إصدار.	قم بتحديث تطبيق Mi Home/Xiaomi Home إلى أحدث إصدار.
	إشارة الـ Wi-Fi ضعيفة.	انقلها إلى موقع تكون فيه الإشارة قوية كفاية.
لا يمكن توصيل المقلاة الهوائية.	لا يمكن الاتصال بشبكة Wi-Fi.	تحقق ما إذا كانت شبكة Wi-Fi متصلة بصورة طبيعية أو أعد ضبط شبكة Wi-Fi لإعادة الاتصال.

## الرسم البياني الكهربائي



- ① شاشة LCD  
 ② مفتاح الأمان  
 ③ لوحة التحكم  
 ④ عنصر التسخين  
 ⑤ المنصهر  
 ⑥ المحرك  
 ⑦ المنصهر  
 ⑧ لوحة الطاقة

## المواصفات

الاسم: فرن (المقلدة الهوائية)	السعة: 6.5 لتر
الطراز: MAF10	التردد المقدر: 50-60 هرتز
الطاقة المقدر: 1800 واط	الوزن الصافي: 5.4 كلغم
الحد الأقصى لطاقة الخرج: >20 ديسيبل مللي واط	الوزن الإجمالي: 6.5 كلغم
درجة حرارة التشغيل: -10 إلى 40 درجة مئوية	أبعاد العلبه: 330 × 355 × 425 ملم
الاتصال اللاسلكي: 2.4 Wi-Fi IEEE 802.11 b/g/n جيجاهرتز	تردد التشغيل: 2412-2472 ميغاهيرتز

أثناء الاستخدام العادي، يجب إبقاء هذا الجهاز على مسافة فاصلة لا تقل عن 20 سم بين الهوائي وجسم المستخدم.

بموجب هذا، تعلن شركة Ningbo Careline Electric Appliance Co., Ltd. أن نوع جهاز الراديو فرن (المقلدة الهوائية) MAF10 يتوافق مع توجيهه 2014/53/EU. النص الكامل لإعلان مطابقة الاتحاد الأوروبي متاح على عنوان الإنترنت التالي:  
<http://www.mi.com/global/service/support/declaration.html>  
 للحصول على دليل إلكتروني مفصل، يُرجى الانتقال إلى [www.mi.com/global/service/userguide](http://www.mi.com/global/service/userguide)



جميع المنتجات التي تحمل هذا الرمز هي نفايات المعدات الكهربائية والإلكترونية (WEEE) وفقاً لتوجيه (2012/19/EU) التي لا ينبغي أن تختلط بالنفايات المنزلية التي لم يتم فرزها. وبدلاً من ذلك، يجب حماية صحة الإنسان والبيئة بتسليم معدات النفايات إلى نقطة تجميع مخصصة معينة من قبل الحكومة أو السلطات المحلية لإعادة تدوير نفايات المعدات الكهربائية والإلكترونية. سيساعد التخلص الصحيح وإعادة التدوير على منع النتائج السلبية المحتملة على البيئة وصحة الإنسان. يرجى الاتصال بشركة التركيب أو السلطات المحلية للحصول على مزيد من المعلومات حول الموقع بالإضافة إلى شروط وأحكام نقاط التجميع هذه.



استهلاك الطاقة  
 وضع الاستعداد: 0.5 واط  
 وضع الاستعداد مع عرض الحالة: 0.8 واط  
 وضع الاستعداد المتصل بالشبكة: 2.0 واط  
 الوقت اللازم لدخول الحالة  
 وضع الاستعداد المتصل بالشبكة: 20 واط

تم التصنيع لصالح شركة: Xiaomi Communications Co., Ltd.  
 Ningbo Careline Electric Appliance Co., Ltd. (الجهة المصنعة:  
 (إحدى شركات نظام Mi الشامل)

العنوان: No.558, Wei'er Road, Andong Industrial Zone, HangzhouBay New Area, Ningbo, 315327, Zhejiang, China  
 لمزيد من المعلومات، الرجاء الانتقال إلى موقع [www.mi.com](http://www.mi.com)

إصدار دليل المستخدم: الإصدار 1.0

EU REP.

Xiaomi Technology Netherlands B.V.  
Prinses Beatrixlaan 582, 2595BM, The Hague, The Netherlands  
[contact@support.mi.com](mailto:contact@support.mi.com)

UK REP.

Xiaomi Technology UK Limited  
Davidson House, Forbury Square, Reading, Berkshire RG1 3EU  
[contact@support.mi.com](mailto:contact@support.mi.com)

