

AMW 435/IX

12NC: 858743501900

GTIN (EAN) code: 8003437394744

Whirlpool

SENSING THE DIFFERENCE



Whirlpool built in microwave oven: stainless steel color - AMW 435/IX

This Whirlpool built in Microwave Oven features: stainless steel color. Jet Defrost function for exceptionally fast and even defrosting.

JetDefrost

Fast defrosting. Use the unique JetDefrost 3D system to defrost food effectively and with ease in your microwave oven.

Warm keeping

Warm comfort. The Warm Keeping function in this Whirlpool Microwave ensures your food will stay warm for up to 4 hours, while protecting it from drying out, so you can enjoy your meal whenever you like.

Jet Start

Outstanding reheating speed. The JetStart function boosts the heat inside the oven to the maximum for 30 seconds, providing the ideal temperature to reheat food with high water content such as clear soups or beverages.

3D Technology

Cooked to perfection. The revolutionary 3D technology system ensures even heat circulation through a fully 3-dimensional heat distribution system, so you can always enjoy evenly-cooked meals, at the touch of a button.

Child lock

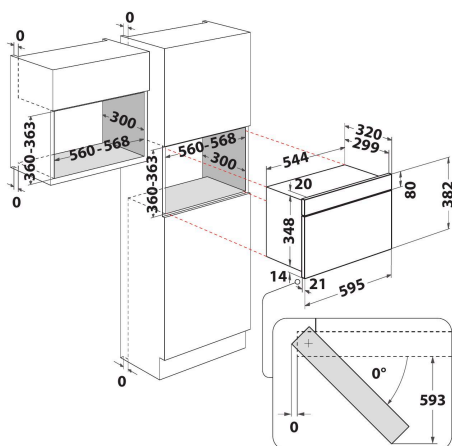
Safety first. This Whirlpool Microwave features a child lock system, to prevent toddlers and children from accidentally using this appliance.

22 litres capacity

More room for your cooking creations. This Whirlpool Microwave offers a comfortable 22-litre capacity, ensuring you'll never run out of space to explore new recipes.

Antifinger

Easy to clean. Anti-fingerprint treatment ensures fingerprints, dust and scratches are easily removed. Cleaning is easier than ever.



- Cavity 22 L
- Jet Start: rapid food reheating
- Jet Defrost: fast reheating
- Keep warm
- 750 W microwave
- 25 cm turntable
- Maximum dish diameter: 280 mm
- Frontal ventilation
- Side opening
- 1 Cooking Method: Microwave
- Connection Rating: 1300 W
- LEDs Digits only display with green letters (G2)
- iXelium Finishing
- Child lock
- 4 Power levels
- 3D Distribution System
- Dimensions HxWxD: 382x595x320 mm

AMW 435/IX

12NC: 858743501900

GTIN (EAN) code: 8003437394744

Whirlpool

SENSING THE DIFFERENCE

MAIN FEATURES

Product group	Microwave
Commercial code	AMW 435/IX
Main colour of product	Stainless steel
Type of micro-wave oven	MW only
Construction type	Built-in
Type of control	Electronic
Type of control settings	LED
Additional cooking method Grill	No
Crisp	No
Steam	No
Additional cooking method Fan cooking	No
Clock	Yes
Automatic programmes	No
Height of the product	382
Width of the product	595
Depth of the product	320
Minimum niche height	360
Minimum niche width	556
Niche depth	300
Net weight (kg)	21
Cavity capacity (l)	22
Turntable	Yes
Turntable diameter (mm)	250
Integrated Cleaning system	No

TECHNICAL FEATURES

Current (A)	10
Voltage (V)	230
Frequency (Hz)	50
Length of Electrical Supply Cord (cm)	135
Plug type	Schuko
Timer	Yes
Grill power (W)	0
Type of grill	N/A
Cavity material	Painted
Interior light	Yes
Additional cooking method Grill	No
Position of interior lights of the cavity	Right side
Maximum Air flow -	0
Minimum air flow -	0
Sound power at max. speed (2010/30/EU) -	0
Sound power at min. speed (2010/30/EU) -	0

PERFORMANCES

6th Sense / Dynamic Intelligence	No
Number of power levels	4
Maximum micro-wave power (W)	750
Bread defrost	No
Jet defrost	Yes
Jet start	Yes
Energy efficiency class - NEW (2010/30/EU) -	-