

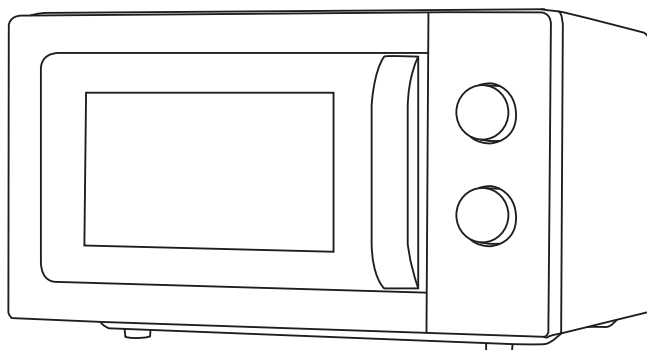
SINGER®

MW20IN INOX

Microwave oven

Φούρνος Μικροκυμάτων

Микровълнова печка



GB INSTRUCTION MANUAL
GR ΒΙΒΛΙΟ ΟΔΗΓΙΩΝ
BG ИНСТРУКЦИИ ЗА ЕКСПЛОАТАЦИЯ

SINGER®

ENGLISH

IMPORTANT SAFETY INSTRUCTIONS

READ CAREFULLY AND KEEP FOR FUTURE REFERENCE

IMPORTANT SAFEGUARDS

The following basic precautions should always be followed when using electrical appliance:

1. Read all instructions before using.
2. Make sure the voltage in your living area corresponding to the one shown on the rating label of the appliance. And the wall socket is properly grounded.
3. To reduce the risk of fire in the oven cavity:
 - a. Do not overcook the food.
 - b. Remove wire twist-ties from paper or plastic bags before placing bags in the oven.
 - c. Do not heat oil or fat for deep frying as the temperature of oil cannot be controlled.
 - d. After use wipe the waveguide cover with a damp cloth, followed by dry cloth to remove any food splashes and grease. Built-up grease may overheat and begin to cause smoke or catch fire.
 - e. If materials inside the oven should smoke or ignite, keep oven door closed, turn oven off and disconnect the power supply.
 - f. When heating food in plastic or paper containers, keep an eye on the oven due to the possibility of ignition.
4. To reduce the risk of explosion and sudden boiling:
 - a. **WARNING:** Liquids and other foods must not be heated in sealed container since they are liable to explode. Baby bottles fitted with a screw cap or teat are considered sealed containers.
 - b. Use wide-mouthed container to cook liquid, and the cooked

liquid should not be removed out immediately. Several moments should be waited before removing. In order to avoid possible hazards caused by delayed eruptive boiling of liquids.

- c. Potatoes, sausage and chestnut should be peeled or pierced before cooking. Eggs in their shell, whole hard-boiled eggs should not be heated in microwave ovens since they may explode, even after microwave heating has ended.
 - d. The contents of feeding bottles and baby food jars are to be stirred or shaken and the temperature is to be checked before consumption, in order to avoid burns.
5. If the supply cord is damaged, it must be replaced by the manufacturer or its service agent or a qualified technician in order to avoid a shock hazard.
 6. After cooking, the container is very hot. Using gloves to take out the food and avoid steam burns by directing steam away from the face and hands.
 7. Slowly lift the furthest edge of dishes cover and microwave plastic wrap and carefully open popcorn and oven cooking bags away from the face.
 8. To prevent the turntable from breaking:
 - a. Let the turntable cool down before cleaning.
 - b. Do not place hot foods or utensils on the cold turntable.
 - c. Do not place frozen foods or utensils on the hot turntable.
 9. Make sure the utensils do not touch the interior walls during cooking.
 10. Only use utensils that are suitable for use in microwave ovens.
 11. Do not store food or any other things inside the oven.
 12. Do not operate the oven without any liquid or food inside the oven. This would do damage the oven.
 13. When the appliance is operated in the combination mode, children should only use the oven under adult supervision due

to the temperatures generated.

14. Any accessories not recommended by the manufacturer may cause injuries to persons.
15. Do not use outdoors.
16. Save these instructions.
17. **WARNING:** If the door or door seals are damaged or the oven is malfunctioned, the oven must not be operated until it has been repaired by a competent person.
18. **WARNING:** It is hazardous for anyone other than a competent person to carry out any service or repair operation that involves the removal of a cover which gives protection against exposure to microwave energy.
19. If smoke is emitted, switch off or unplug the appliance and keep the door closed in order to stifle any flames.
20. Microwave heating of beverages can result in delayed eruptive boiling; therefore, care must be taken when handling the container.
21. Do not use harsh abrasive cleaners or sharp metal scrapers to clean the oven door glass since they can scratch the surface, which may result in shattering of the glass.
22. The lamp of microwave oven is not intended for other purposes.
23. The appliances are not intended to be operated by means of an external timer or separate remote -control system.
24. This appliance is intended to be used in household and similar applications, such as:
 - Staff kitchen areas in shops, offices and other working environments
 - Farm houses
 - By clients in hotels, motels and other residential environments
 - Bed and breakfast type environments
25. The microwave oven is intended for heating food and

beverages. Drying of food or clothing and heating of warming pads, slippers, sponges, damp cloth and similar may lead to risk of injury, ignition or fire.

26. This appliance can be used by children aged from 8 years and above and persons with reduced physical, sensory or mental capabilities or lack of experience and knowledge if they have been given supervision or instruction concerning use of the appliance in a safe way and understand the hazards involved. Children shall not play with the appliance. Cleaning and user maintenance shall not be made by children unless they are older than 8 and supervised. Keep the appliance and its cord out of reach of children less than 8 years.
27. This appliance is not intended for use by persons (including children) with reduced physical, sensory or mental capabilities, or lack of experience and knowledge, unless they have been given supervision or instruction concerning use of the appliance by a person responsible for their safety.
28. Children should be supervised to ensure that they do not play with the appliance.
29. A steam cleaner is not to be used.
30. The door or the outer surface may get hot when the appliance is operating.
31. **WARNING:** Accessible parts may become hot during use. Young children should be kept away.
32. During use the appliance becomes hot. Care should be taken to avoid touching heating elements inside the oven.
33. The surfaces are liable to get hot during use.



CAUTION: HOT SURFACE

Household use only

INSTALLATION

1. Take out all the packing. If there is a safe film over the oven, tear it off before Use. Check carefully for damage. If any, immediately notify dealer or send to the manufacturer's service center.
2. Microwave ovens must be placed under dry and non-corrosiveness environments, kept away from heat and humidity, such as gas burner or water tank.
3. To ensure sufficient ventilation, the distance of the back of microwave to the wall should be at least 10 cm, the side to the wall should be at least 5 cm, the free distance above the top surface at least 20 cm, the distance of the microwave to the ground should be at least 85 cm.
4. The position of the oven shall be such that it is far from the TV, Radio or antenna as picture disturbance. The distance should be more than 5m.
5. The appliance must be positioned so that the plug is accessible, and must ensure a good grounding in case leakage, ground loop can be formed to avoid electric shock.
6. The microwave oven must be operated with the door closed.
7. The microwave oven must not be placed in a cabinet. The microwave oven is intended to be used freestanding.
8. As there is manufacturing residue or oil remained on the oven cavity or heat element, it usually would smell the odor, even a slight smoke. It is normal case and would not occur after several times use, keep the door or window open to ensure good ventilation. Therefore, it is strongly recommended to place a cup of water in the turntable, setting at high power and operate for several times.

CLEANING MICROWAVE OVEN CARE

CAUTION

The oven should be cleaned regular and any food deposits removed.

WARNING

1. Remove the power cord from the wall outlet before cleaning. Don't immerse

- the appliance in water or other fluids when cleaning.
2. Failure to maintain the oven in a clean condition could lead to deterioration of the surface that could adversely affect the life of the appliance and possibly result in a hazardous situation.
 3. Never use hard detergent, gasoline, abrasive powder or metal brush to clean any part of the appliance.
 4. Do not remove the waveguide cover.
 5. When the microwave oven has been used for a long time, there may be some strange odors exist in oven. Following 3 methods can get rid of them:
 - a. Place several lemon slices in a cup, then heat with High micro power for 2-3 min.
 - b. Place a cup of tea in oven, then heat with High micro power for 2-3 min.
 - c. Put some orange peel into oven, and then heat them with High micro power for 1 minute.
 6. **WARNING:** Only allow children to use the oven without supervision when adequate instructions have been given so that the child is able to use the oven in a safe way and understands the hazards of improper use.

TIPS FOR CLEANING

Details for cleaning door seals, cavity and adjacent parts:

Exterior:

Wipe the enclosure with a dampened soft cloth.

Door:

Using a dampened soft cloth, wipe clean the door and window.

Wipe the door seals and adjacent parts to remove any spill or spatter.

Wipe the control panel with a slightly dampened soft cloth.

Interior walls:

Wipe clean the cavity with a dampened soft cloth.

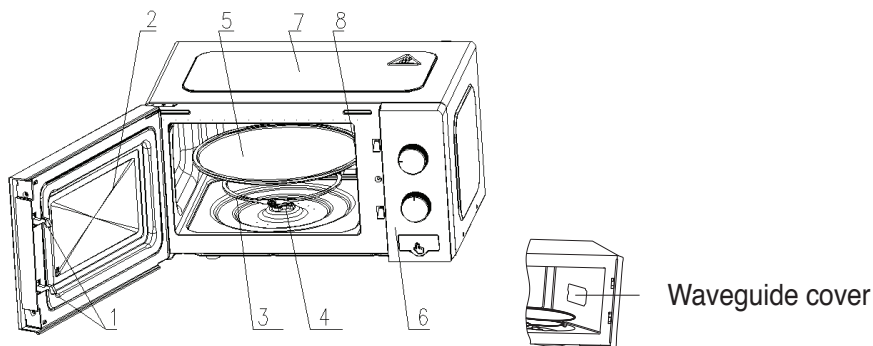
Wipe clean the waveguide cover to remove any food splashed.

Turntable/ Rotation ring/ Rotation axis:

Wash with mild soap water.

Rinse with clean water and allow drying thoroughly.

PRODUCT INSTRUCTION



1) Door lock

Microwave oven door must be properly closed in order to operate

2) Viewing window

Allow user to see the cooking status

3) Rotating ring

The glass turntable sits on its wheels; it supports the turntable and helps it to balance when rotating

4) Rotating axis

The glass turntable sits on the axis; the motor underneath it drives the turntable to rotate

5) Turntable

The food sits on the turntable, its rotation during operation helps to cook food evenly

! CAUTION

- Place the rotating ring first
- Fit the turntable onto the rotating axis and make sure that it is geared in properly

6) Control panel

See below in details (the control panel is subject to change without prior notice)

7) Outer cover

Used for wrapping and protecting the internal structural parts and electrical components of the whole machine

8) Waveguide cover

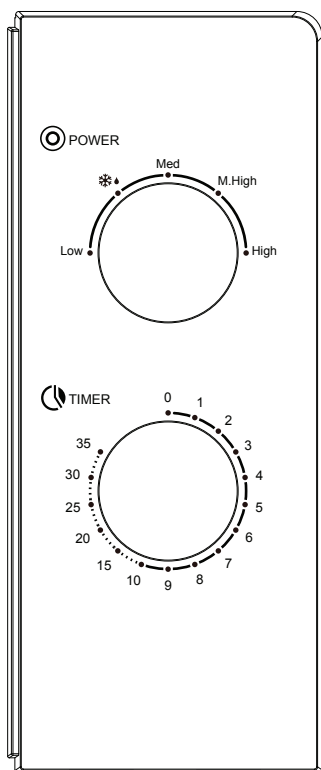
It is inside the microwave oven, next to the wall of control panel.



WARNING

Never remove the waveguide cover

CONTROL PANEL



1) Timer

-The max cooking time length that can be set is 35 minutes.

- A bell ring will be heard when the timer times out and returns to Zero position.

2) Function/Power knob

There are 5 power levels:

HIGH	100% power output	(Quick cooking)
M. High	80% power output	(Normal cooking)
Med	55% power output	(Slow cooking)
M. Low	30% power output	(Defrost)
LOW	17% power output	(Keep warm)

The following table provides a reference defrost time length for various foods:

	WEIGHT RANGE	DEFROST LENGTH
Meat	0.1~1.0kg	1:30~26:00 min
Poultry	0.2~1.0kg	2:30~22:00 min
Seafood	0.1~0.9kg	1:30~14:00 min

OPERATION

Connect the cord.

- Before connecting the cord, make sure the timer is set to "0" position.
- Do not block the ventilation.

- 1) Place the food on the glass turntable and close the door.
 - Food must be contained in a utensil.
- 2) Select the desired power level.
- 3) Set the timer.

If desired time is less than 3 minutes, turn the timer knob to over 3 minutes position and then turn back to the desired time setting.
- 4) Once the desired time is set, the cooking begins. If pausing in between is needed, just open the door at any time, and close it to resume operation.
- 5) When it times out and cooking ends, the microwave oven produces a bell ring, the inside lamp will also be automatically turned off.

If food is removed before time out, make sure to set back the timer to "0" position, this avoids the microwave oven from operating in empty load.

UTENSILS GUIDELINE

It is strongly recommended to use the containers which are suitable and safe for microwave cooking. Generally, containers which are made of heat-resistant ceramic, glass or plastic are suitable for microwave cooking. Never use the metal containers for microwave cooking and combination cooking as spark is likely to occur. You can take the reference of below table.

Material of container	Microwave	Notes
Heat-resistant ceramic	Yes	Never use the ceramics which are decorated with metal rim or glazed
Heat-resistant plastic	Yes	Can not be used for long time microwave cooking
Heat-resistant glass	Yes	
Plastic film	Yes	It should not be used when cooking meat or chops as the over-temperature may do damage to the film
Grill rack	No	
Metal container	No	It should not be used in microwave oven. Microwave cannot penetrate through metal.
Lacquer	No	Poor heat-resistant. Can not be used for High-temperature cooking
Bamboo wood and paper	No	Poor heat-resistant. Can not be used for High-temperature cooking

COOKING TIPS

The following factors may affect the cooking result:

Food arrangement

Place thicker areas towards outside of dish, the thinner part towards the centre and spread it evenly. Do not overlap if possible.

Cooking time length

Start cooking with a short time setting, evaluate it after it times out and extend it according to the actual need. Over cooking may result in smoke and burns.

Cooking food evenly

Food such as chicken, hamburger or steak should be turned once during cooking.

Depending on the type of food, if applicable, stir it from outside to centre of dish once or twice during cooking.

Allow standing time

After cooking times out, leave the food in the oven for an adequate length of time, this allows it to complete its cooking cycle and cooling it down in a gradual manner.

Whether the food is done

Color and hardness of food help to determine if it is done, these include:

- Steam coming out from all parts of food, not just the edge
- Joints of poultry can be moved easily
- Pork or poultry shows no signs of blood
- Fish is opaque and can be sliced easily with a fork

Browning dish

When using a browning dish or self-heating container, always place a heat-resistant insulator such as a porcelain plate under it to prevent damage to the turntable and rotating ring.

Microwave safe plastic wrap

When cooking food with high fat content, do not allow the plastic wrap to come in contact with food as it may melt.

Microwave safe plastic cookware

Some microwave safe plastic cookware might not be suitable for cooking foods with high fat and sugar content. Also, the preheating time specified in the dish instruction manual must not be exceeded.

MAINTENANCE SERVICING

Please check the following before calling for services.

1. Place one cup of water (approx. 150ml) in a glass measure in the oven and close the door securely. Oven lamp should go off if the door is closed properly. Let the oven work for 1 min.
2. Does the oven lamp light?
3. Does the cooling fan work?
(Put your hand over the rear ventilation openings.)
4. Does the turntable rotate?
(The turntable can rotate clockwise or counter clockwise. This is quite normal.)
5. Is the water inside the oven hot?

If "NO" is the answer to any of the above questions, please check your wall socket and the fuse in your meter box.

If both the wall socket and the fuse are functioning properly, CONTACT YOUR NEAREST SERVICE CENTER APPROVED.

SERVICE & REPAIR

1. For service or repair under warranty, please contact the authorized service company that is mentioned on the guarantee card that accompanies the product.
2. Do not operate any product with a damaged cord or plug. If the supply cord is damaged, return the appliance to a SINGER service center for examination repair or adjustment. Do not attempt to dismantle any part of the appliance. This should only be done at an authorized SINGER service center.
3. The partial or total non-respect of the safety instructions in the present instruction manual will automatically release Singer of any type of responsibility in case of malfunction of the machine or injuries to persons or animals.
4. In case of manipulation, repairing or any modification of the machine made by unqualified persons or in case of improper use, the guarantee will be automatically cancelled.



Disposal of old Electrical & Electronic Equipment (Applicable in the European Union and other European countries with separate collection systems).

This symbol on the product or on its packaging indicates that this product shall not be treated as household waste. Instead it shall be handed over to the applicable collection point for the recycling of electrical and electronic equipment. By ensuring this product is disposed of correctly, you will help prevent potential negative consequences for the environment and human health, which could otherwise be caused by inappropriate waste handling of this product. The recycling of materials will help to conserve natural resources. For more detailed information about recycling of this product, please contact your local city office, your household waste disposal service or the shop where you purchased the product.

DECLARATION OF CONFORMITY

Herewith, G. E. DIMITRIOU S.A. states that this product, complies with the requirements of below European directives:

EMC Directive: 2014 / 30 / EU

LVD - Low Voltage Directive: 2014/ 35 / EU

ROHS Directive: 2011 / 65 / EU

ΣΗΜΑΝΤΙΚΕΣ ΟΔΗΓΙΕΣ ΑΣΦΑΛΕΙΑΣ **ΔΙΑΒΑΣΤΕ ΠΡΟΣΕΚΤΙΚΑ ΚΑΙ ΚΡΑΤΗΣΤΕ ΤΙΣ ΓΙΑ** **ΜΕΛΛΟΝΤΙΚΗ ΑΝΑΦΟΡΑ**

ΣΗΜΑΝΤΙΚΑ ΜΕΤΡΑ ΠΡΟΣΤΑΣΙΑΣ

Τα παρακάτω βασικά μέτρα προστασίας πρέπει να τηρούνται πάντοτε κατά τη χρήση ηλεκτρικών συσκευών:

1. Διαβάστε όλες τις οδηγίες πριν από τη χρήση.
2. Βεβαιωθείτε ότι η τάση του σπιτιού σας αντιστοιχεί σε εκείνη που βρίσκεται στην ετικέτα ονομαστικών στοιχείων της συσκευής. Βεβαιωθείτε επίσης ότι ο ρευματοδότης είναι σωστά γειωμένος.
3. Για να μειώσετε τον κίνδυνο πυρκαγιάς στο εσωτερικό του φούρνου:
 - α. Μην ψήνετε υπερβολικά το φαγητό.
 - β. Αφαιρείτε τα συρματάκια ασφάλισης από τις χάρτινες ή πλαστικές σακούλες πριν τις τοποθετήσετε στο φούρνο.
 - γ. Μην ζεσταίνετε λάδι ή λίπος για τηγάνισμα, καθώς η θερμοκρασία του λαδιού δεν μπορεί να ελεγχθεί.
 - δ. Μετά τη χρήση, σκουπίστε την εσωτερική επιφάνεια του φούρνου μικροκυμάτων με ένα νωπό πανί, κατόπιν με ένα στεγνό πανί, για να αφαιρέσετε τις πιτσιλιές και το λίπος των τροφίμων. Τα συσσωρευμένα λίπη είναι δυνατό να υπερθερμανθούν και να αρχίσουν να καπνίζουν ή να πιάσουν φωτιά.
 - ε. Αν υλικά εντός του φούρνου αρχίσουν να καπνίζουν ή πιάσουν φωτιά, διατηρήστε κλειστή την πόρτα του φούρνου, απενεργοποιήστε το φούρνο και βγάλτε τον από την πρίζα.
 - στ. Όταν ζεσταίνετε φαγητό σε πλαστικά ή χάρτινα

δοχεία, έχετε το νου σας στο φούρνο, επειδή υπάρχει πιθανότητα να πιάσουν φωτιά.

4. Για να μειώσετε τον κίνδυνο έκρηξης και ξαφνικού βρασμού:
 - α. **ΠΡΟΕΙΔΟΠΟΙΗΣΗ:** Τα υγρά και άλλα τρόφιμα δεν πρέπει να θερμαίνονται σε καλυμμένα δοχεία, επειδή είναι δυνατό να εκραγούν. Τα μπιμπερό με καπάκι ή θηλή θεωρείται ότι είναι καλυμμένα δοχεία.
 - β. Χρησιμοποιείτε δοχείο με φαρδύ στόμιο για να μαγειρεύετε υγρά. Το μαγειρεμένο υγρό δεν πρέπει να αφαιρείται αμέσως. Πρέπει να περιμένετε για μερικά λεπτά πριν το αφαιρέσετε. Προκειμένου να αποφύγετε πιθανούς κινδύνους λόγω του καθυστερημένου κοχλασμού των υγρών.
 - γ. Οι πατάτες, τα λουκάνικα και τα κάστανα πρέπει να ξεφλουδίζονται ή να τρυπιούνται πριν το ψήσιμο. Μην θερμαίνετε στον φούρνο μικροκυμάτων αυγά με κέλυφος και σφιχτά βρασμένα αυγά, καθώς υπάρχει πιθανότητα να εκραγούν, ακόμη και μετά το τέλος της διαδικασίας θέρμανσης.
 - δ. Το περιεχόμενο σε μπιμπερό και σε βαζάκια βρεφικών τροφών θα πρέπει να ανακινείται και να ανακατεύεται και η θερμοκρασία θα πρέπει να ελέγχεται πριν από την κατανάλωση, προς αποφυγή εγκαυμάτων.
5. Εάν το καλώδιο ρεύματος είναι φθαρμένο, πρέπει να αντικατασταθεί από τον κατασκευαστή ή τον εκπρόσωπο σέρβις ή εξειδικευμένο τεχνικό για να αποτραπούν κίνδυνοι ηλεκτροπληξίας.
6. Μετά το ψήσιμο, το δοχείο είναι πολύ ζεστό. Χρησιμοποιήστε γάντια για να βγάλετε το φαγητό και να αποφύγετε τα εγκαύματα ατμού, κατευθύνοντας τον ατμό μακριά από το πρόσωπο και τα χέρια σας.

7. Ανασηκώστε αργά το πιο μακρινό άκρο του καλύμματος των πιάτων και της πλαστικής μεμβράνης και ανοίξτε προσεκτικά το ποπ-κορν και τις σακούλες ψησίματος στο φούρνο μακριά από το πρόσωπό σας.
8. Για να μην σπάσει ο περιστρεφόμενος δίσκος:
 - α. Αφήστε τον να κρυώσει πριν τον καθαρίσετε.
 - β. Μην τοποθετείτε ζεστά τρόφιμα ή σκεύη επάνω σε κρύο δίσκο.
 - γ. Μην τοποθετείτε παγωμένα τρόφιμα ή σκεύη επάνω σε κρύο δίσκο.
9. Βεβαιωθείτε ότι τα σκεύη δεν αγγίζουν τα εσωτερικά τοιχώματα κατά το ψήσιμο.
10. Χρησιμοποιείτε μόνο σκεύη κατάλληλα για χρήση σε φούρνους μικροκυμάτων.
11. Μην αποθηκεύετε τρόφιμα ή άλλα είδη μέσα στο φούρνο.
12. Μην θέτετε το φούρνο σε λειτουργία χωρίς υγρά ή τρόφιμα. Μπορεί να προκληθεί βλάβη στο φούρνο.
13. Όταν η συσκευή λειτουργεί σε συνδυαστική λειτουργία, τα παιδιά θα πρέπει να χρησιμοποιούν το φούρνο μόνο υπό επίβλεψη ενηλίκου, λόγω των υψηλών θερμοκρασιών που αναπτύσσονται.
14. Τυχόν εξαρτήματα που δεν συνιστώνται από τον κατασκευαστή μπορούν να προκαλέσουν τραυματισμούς σε πρόσωπα.
15. Μην τον χρησιμοποιείτε σε εξωτερικούς χώρους.
16. Φυλάξτε αυτές τις οδηγίες.
17. **ΠΡΟΕΙΔΟΠΟΙΗΣΗ:** Αν η πόρτα ή οι ασφάλειες της πόρτας είναι κατεστραμμένες ή αν ο φούρνος παρουσιάζει δυσλειτουργία, δεν πρέπει να χρησιμοποιηθεί μέχρι να επισκευαστεί από εξειδικευμένο πρόσωπο.
18. **ΠΡΟΕΙΔΟΠΟΙΗΣΗ:** Είναι επικίνδυνο για τα μη εξειδικευμένα πρόσωπα να πραγματοποιούν σέρβις

ή επισκευές που περιλαμβάνουν την αφαίρεση ενός καλύμματος που παρέχει προστασία από την έκθεση στην ενέργεια μικροκυμάτων.

19. Αν αρχίσει να βγαίνει καπνός, απενεργοποιήστε τη συσκευή ή βγάλτε την από την πρίζα και διατηρήστε κλειστή την πόρτα, για να καταπνίξετε τυχόν φλόγες.
20. Το ζέσταμα ροφημάτων στο φούρνο μικροκυμάτων μπορεί να προκαλέσει καθυστερημένο κοχλασμό. Επομένως, προσέξτε πολύ κατά το χειρισμό του δοχείου.
21. Μην χρησιμοποιείτε σκληρά στιλβωτικά καθαριστικά ή σκληρές μεταλλικές βούρτσες για να καθαρίσετε την τζαμένια πόρτα του φούρνου, καθώς είναι δυνατό να γρατζουνίσουν την επιφάνεια ή να σπάσουν το γυαλί.
22. Η λυχνία του φούρνου μικροκυμάτων δεν έχει άλλες προβλεπόμενες χρήσεις.
23. Οι συσκευές δεν προορίζονται για χρήση μέσω εξωτερικού χρονοδιακόπτη ή ξεχωριστού συστήματος απομακρυσμένης διαχείρισης.
24. Αυτή η συσκευή προορίζεται για χρήση σε οικιακές και παρόμοιες εφαρμογές όπως:
 - Χώρους κουζίνας προσωπικού σε καταστήματα, γραφεία και άλλους χώρους εργασίας
 - Αγροκτήματα
 - Από πελάτες ξενοδοχείων, μοτέλ και άλλων χώρων διαμονής
 - Χώρους τύπου ξενοδοχείου «bed and breakfast».
25. Ο φούρνος μικροκυμάτων προορίζεται για το ζέσταμα φαγητών και ροφημάτων. Το στέγνωμα τροφίμων ή ρούχων και το ζέσταμα επιθεμάτων, παντοφλών, σφουγγαριών, ξεσκονόπανων και παρόμοιων ειδών μπορεί να προκαλέσει κίνδυνο τραυματισμού, ανάφλεξης ή πυρκαγιάς.

26. Αυτή η συσκευή μπορεί να χρησιμοποιηθεί από παιδιά ηλικίας 8 ετών και άνω, καθώς και από άτομα με μειωμένες φυσικές, αισθητηριακές ή πνευματικές ικανότητες ή από άτομα χωρίς εμπειρία και γνώσεις, αν έχουν επίβλεψη ή αν τους έχουν δοθεί οδηγίες σχετικά με την ασφαλή χρήση της συσκευής και αν κατανοούν τους ενεχόμενους κινδύνους. Τα παιδιά δεν πρέπει να παίζουν με τη συσκευή. Ο καθαρισμός και η συντήρηση από τον χρήστη δεν πρέπει να γίνονται από παιδιά, εκτός εάν είναι άνω των 8 ετών και βρίσκονται υπό επίβλεψη. Κρατήστε τη συσκευή και το καλώδιό της μακριά από παιδιά κάτω των 8 ετών.
27. Αυτή η συσκευή δεν προορίζεται για χρήση από άτομα (συμπεριλαμβανομένων και των παιδιών) με περιορισμένες σωματικές, αισθητικές ή νοητικές ικανότητες ή στερούμενα της κατάλληλης εμπειρίας και γνώσης, παρά μόνο εφόσον βρίσκονται υπό την επίβλεψη ή έχουν λάβει τις κατάλληλες οδηγίες για την χρήση της συσκευής από άτομο υπεύθυνο για την ασφάλειά τους.
28. Επιβλέπετε πάντοτε τα παιδιά και βεβαιωθείτε ότι δεν παίζουν με τη συσκευή.
29. Δεν πρέπει να χρησιμοποιείται ατμοκαθαριστής.
30. Η πόρτα ή η εξωτερική επιφάνεια μπορεί να υπερθερμανθεί κατά τη λειτουργία της συσκευής.
31. **ΠΡΟΕΙΔΟΠΟΙΗΣΗ:** Τα προσβάσιμα εξαρτήματα μπορεί να υπερθερμανθούν κατά τη χρήση. Τα παιδιά πρέπει να παραμένουν σε ασφαλή απόσταση.
32. Κατά τη χρήση η συσκευή υπερθερμαίνεται. Αποφύγετε να αγγίξετε τα θερμαινόμενα στοιχεία στο εσωτερικό του φούρνου.
33. Οι επιφάνειες ενδέχεται να θερμαίνονται κατά τη χρήση.

**ΠΡΟΣΟΧΗ ΖΕΣΤΗ ΕΠΙΦΑΝΕΙΑ****Μόνο για οικιακή χρήση****ΕΓΚΑΤΑΣΤΑΣΗ**

1. Αφαιρέστε όλα τα υλικά συσκευασίας. Αν ο φούρνος καλύπτεται από μεμβράνη ασφαλείας, αφαιρέστε την πριν από τη χρήση. Ελέγξτε προσεκτικά για ζημιές. Αν υπάρχουν, ενημερώστε αμέσως το κατάστημα ή επικοινωνήστε με το κέντρο εξυπηρέτησης του κατασκευαστή.
2. Οι φούρνοι μικροκυμάτων πρέπει να τοποθετούνται σε ξηρό και μη διαβρωτικό περιβάλλον, να διατηρούνται μακριά από τη ζέστη και την υγρασία, π.χ. καυστήρες αερίου ή θερμοσίφωνες.
3. Για να εξασφαλίσετε επαρκή εξαερισμό, η απόσταση από το πίσω μέρος του φούρνου μικροκυμάτων ως τον τοίχο πρέπει να είναι τουλάχιστον 10 εκ., από τα πλαϊνά ως τον τοίχο πρέπει να είναι τουλάχιστον 5 εκ., η ελεύθερη απόσταση από την επάνω επιφάνεια τουλάχιστον 20 εκ, η απόσταση του φούρνου μικροκυμάτων από το δάπεδο πρέπει να είναι τουλάχιστον 85 εκ.
4. Η θέση του φούρνου πρέπει να είναι τέτοια ώστε να βρίσκεται μακριά από την τηλεόραση, το ραδιόφωνο ή την κεραιά, καθώς προκαλεί παρεμβολές εικόνας. Η απόσταση πρέπει να είναι πάνω από 5 μέτρα.
5. Η συσκευή πρέπει να τοποθετείται κατά τρόπο που να υπάρχει πρόσβαση στο ρευματολήπτη και πρέπει να εξασφαλίζεται καλή γείωση, ώστε, σε περίπτωση διαρροής ρεύματος, να μπορεί να δημιουργηθεί βρόχος γείωσης προς αποφυγήν της ηλεκτροπληξίας.
6. Ο φούρνος μικροκυμάτων πρέπει να λειτουργεί με κλειστή την πόρτα.
7. Ο φούρνος μικροκυμάτων δεν πρέπει να τοποθετείται μέσα σε ντουλάπι. Ο φούρνος μικροκυμάτων προβλέπεται για ελεύθερη (μη εντοιχισμένη) τοποθέτηση.
8. Καθώς υπάρχει κατάλοιπο κατασκευής ή λάδι στο εσωτερικό του φούρνου ή επάνω στην αντίσταση, συνήθως εκλύεται μια οσμή, ακόμη και λίγος καπνός. Αυτό είναι φυσιολογικό και σταματά μετά από αρκετές χρήσεις. Έχετε ανοιχτή μια πόρτα ή ένα παράθυρο για

να εξασφαλίσετε καλό εξαερισμό. Συνιστούμε ιδιαίτερα να θέσετε το φούρνο σε κατάσταση λειτουργίας γκριλ και να τον θέσετε πολλές φορές σε λειτουργία χωρίς περιεχόμενα.

ΚΑΘΑΡΙΣΜΟΣ ΦΡΟΝΤΙΔΑ ΤΟΥ ΦΟΥΡΝΟΥ ΜΙΚΡΟΚΥΜΑΤΩΝ

ΠΡΟΣΟΧΗ

Ο φούρνος πρέπει να καθαρίζεται τακτικά και να αφαιρούνται τα υπολείμματα τροφίμων.

ΠΡΟΕΙΔΟΠΟΙΗΣΗ

1. Αποσυνδέετε το καλώδιο τροφοδοσίας από την πρίζα πριν τον καθαρισμό. Μην βυθίζετε τη συσκευή σε νερό ή άλλα υγρά κατά τον καθαρισμό.
2. Αν ο φούρνος δεν διατηρείται σε καθαρή κατάσταση μπορεί να καταστραφεί η επιφάνειά του, πράγμα που μπορεί να επηρεάσει δυσμενώς τη διάρκεια ζωής της συσκευής και πιθανώς να προκαλέσει μια επικίνδυνη κατάσταση.
3. Μην χρησιμοποιείτε ποτέ σκληρά καθαριστικά, βενζίνη, λειαντική σκόνη ή μεταλλική βούρτσα για να καθαρίσετε οποιοδήποτε μέρος της συσκευής.
4. Μην αφαιρείτε το κάλυμμα μικροκυμάτων.
5. Αν ο φούρνος μικροκυμάτων δεν έχει χρησιμοποιηθεί για πολύ καιρό, ενδέχεται να εκλύσει κάποιες περιεργες οσμές. Μπορείτε να απαλλαχτείτε από αυτές με τους παρακάτω 3 τρόπους:
 - α. Τοποθετήστε αρκετές φέτες λεμονιού σε ένα μπολάκι, κατόπιν ζεστάνετε το φούρνο μικροκυμάτων στην επιλογή ισχύος HIGH (Υψηλό) για 2-3 λεπτά.
 - β. Τοποθετήστε ένα φλιτζάνι με τσάι στο φούρνο, κατόπιν ζεστάνετε το φούρνο μικροκυμάτων στην επιλογή ισχύος HIGH (Υψηλό) για 2-3 λεπτά.
 - γ. Βάλτε μέσα στο φούρνο μερικές φλούδες πορτοκαλιού, κατόπιν ζεστάνετε το φούρνο μικροκυμάτων στην επιλογή ισχύος HIGH (Υψηλό) για 1 λεπτό.
6. **ΠΡΟΕΙΔΟΠΟΙΗΣΗ:** Τα παιδιά επιτρέπεται να χρησιμοποιούν τον φούρνο χωρίς επιτήρηση μόνο εάν έχουν λάβει επαρκείς οδηγίες

σχετικά με την ασφαλή χρήση του φούρνου και κατανοούν τους κινδύνους που απορρέουν από την εσφαλμένη χρήση.

ΣΥΜΒΟΥΛΕΣ ΚΑΘΑΡΙΣΜΟΥ

Λεπτομέρειες για τον καθαρισμό των ασφαλειών της πόρτας, του εσωτερικού του φούρνου και των παρακείμενων τμημάτων:

Εξωτερικό:

Σκουπίστε το περίβλημα με ένα νωπό μαλακό πανί

Πόρτα:

Με ένα νωπό μαλακό πανί, σκουπίστε την πόρτα και το τζάμι

Σκουπίστε τις ασφάλειες της πόρτας και τα παρακείμενα τμήματα, για να απομακρύνετε λεκέδες ή χυμένα τρόφιμα

Σκουπίστε τον πίνακα ελέγχου με ένα ελαφρώς νωπό μαλακό πανί

Εσωτερικά τοιχώματα:

Σκουπίστε το εσωτερικό του φούρνου με ένα νωπό μαλακό πανί

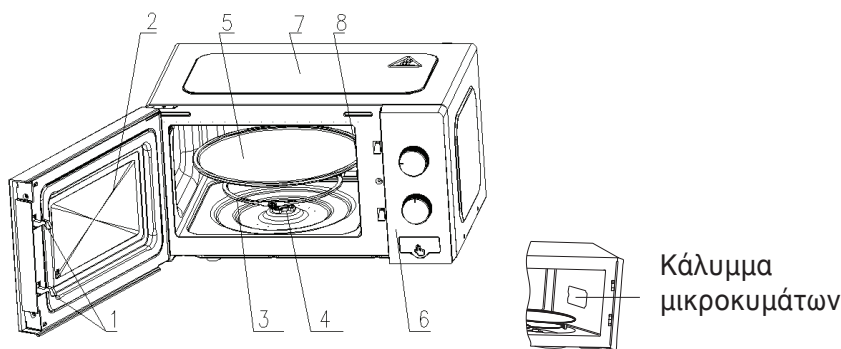
Σκουπίστε το κάλυμμα μικροκυμάτων, για να απομακρύνετε τους λεκέδες από τα τρόφιμα

Περιστρεφόμενος δίσκος / Περιστρεφόμενος δακτύλιος/ Άξονας περιστροφής:

Πλύνετε με νερό και υγρό πιάτων

Ξεβγάλτε με καθαρό νερό και αφήστε να στεγνώσουν εντελώς

ΟΔΗΓΙΕΣ ΠΡΟΪΟΝΤΟΣ

**1) Σύστημα κλειδώματος πόρτας**

Η πόρτα του φούρνου μικροκυμάτων θα πρέπει να κλείσει σωστά για να μπορέσει να ξεκινήσει η λειτουργία

2) Παράθυρο φούρνου

Επιτρέπει στον χρήστη να βλέπει την εξέλιξη του μαγειρέματος

3) Δακτύλιος περιστροφής

Ο γυάλινος δίσκος τοποθετείται πάνω στα ροδάκια του δακτύλιου περιστροφής. Ο δακτύλιος στηρίζει τον δίσκο και τον βοηθάει να ισορροπεί κατά την περιστροφή

4) Άξονας περιστροφής

Ο γυάλινος δίσκος τοποθετείται πάνω στον άξονα περιστροφής, το μοτέρ που βρίσκεται κάτω από τον άξονα περιστρέφει τον γυάλινο δίσκο

5) Γυάλινος δίσκος

Το φαγητό τοποθετείται πάνω στον γυάλινο δίσκο, η περιστροφή του κατά την λειτουργία βοηθάει το ομοιόμορφο μαγείρεμα

⚠️ ΠΡΟΣΟΧΗ

- Τοποθετήστε πρώτα τον δακτύλιο περιστροφής
- Τοποθετήστε τον γυάλινο δίσκο πάνω στον δακτύλιο περιστροφής και βεβαιωθείτε ότι έχει τοποθετηθεί σωστά πάνω στον άξονα

6) Πίνακας ελέγχου

Δείτε παρακάτω τις λεπτομέρειες (ο πίνακας ελέγχου δύναται να αλλάξει χωρίς προηγούμενη προειδοποίηση)

7) Εξωτερικό κάλυμμα

Χρησιμοποιείται για την περιτύλιξη και την προστασία των εσωτερικών

δομικών μερών και των ηλεκτρικών εξαρτημάτων ολόκληρου του μηχανήματος.

8) Κάλυμμα μικροκυμάτων

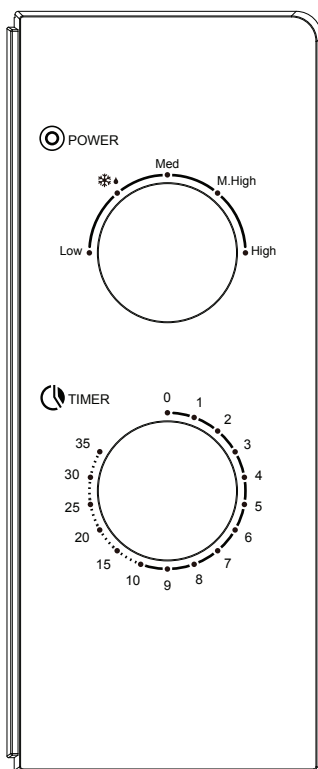
Βρίσκεται στο εσωτερικό του φούρνου μικροκυμάτων, στο δεξί μέρος δίπλα στον πίνακα ελέγχου



ΠΡΟΕΙΔΟΠΟΙΗΣΗ

Ποτέ μην αφαιρείτε το κάλυμμα των μικροκυμάτων

ΠΙΝΑΚΑΣ ΕΛΕΓΧΟΥ



1) Χρονοδιακόπτης

- Ο μεγαλύτερος χρόνος ρύθμισης του χρονοδιακόπτη είναι 35 λεπτά.
- Ένας ήχος κουδουνιού θα ακουστεί όταν ο χρονοδιακόπτης τερματίσει και επιστρέψει στην θέση μηδέν.

2) Διακόπτης επιλογής Ισχύος/Λειτουργίας

Υπάρχουν 5 επίπεδα λειτουργίας:

Υψηλό	100% της ισχύς εξόδου	(Γρήγορο μαγείρεμα)
Μεσαίο προς Υψηλό	80% της ισχύς εξόδου	(Κανονικό μαγείρεμα)
Μεσαίο	55% της ισχύς εξόδου	(Χαμηλό μαγείρεμα)
Μεσαίο προς Χαμηλό	30% της ισχύς εξόδου	(Ξεπάγωμα)
Χαμηλό	17% της ισχύς εξόδου	(Διατήρηση θερμοκρασίας)

Ο παρακάτω πίνακας παρέχει μια ένδειξη για τον χρόνο ξεπαγώματος ανάλογα το είδος και το βάρος ορισμένων τροφών:

	ΕΥΡΟΣ ΒΑΡΟΥΣ	ΔΙΑΡΚΕΙΑ ΞΕΠΑΓΩΜΑΤΟΣ
Κρεατικά	0.1~1.0 κιλά	1:30~26:00 λεπτά
Πουλερικά	0.2~1.0 κιλά	2:30~22:00 λεπτά
Ψάρια	0.1~0.9 κιλά	1:30~14:00 λεπτά

ΛΕΙΤΟΥΡΓΙΑ

Τοποθετήστε το φις στην πρίζα.

- Πριν τοποθετήσετε το φις στην πρίζα, βεβαιωθείτε ότι ο χρονοδιακόπτης βρίσκεται στη θέση "0".
 - Μην παρεμποδίζετε τις οπές εξαερισμού.
- 1) Τοποθετήστε το φαγητό στον γυάλινο δίσκο και κλείστε την πόρτα.
 - Το φαγητό πρέπει να είναι σε κάποιο σκεύος.
 - 2) Επιλέξτε το επιθυμητό επίπεδο λειτουργίας.
 - 3) Επιλέξτε τον χρόνο μαγειρέματος.

Εάν ο επιθυμητός χρόνος είναι λιγότερο από 3 λεπτά, γυρίστε τον χρονοδιακόπτη στη θέση πάνω από 3 λεπτά και στη συνέχεια επαναφέρετε τον χρονοδιακόπτη στον επιθυμητό χρόνο.
 - 4) Μόλις επιλέξετε τον επιθυμητό χρόνο η συσκευή ξεκινάει να λειτουργεί. Εάν θέλετε να διακόψετε την λειτουργία ανά πάσα στιγμή απλά ανοίξτε την πόρτα του φούρνου και ξανακλείστε την για να συνεχίσετε την λειτουργία της συσκευής.

5) Όταν ολοκληρωθεί ο χρόνος και τελειώσει το μαγείρεμα, θα ηχήσει ένας ήχος κουδουνιού και θα σβήσει το εσωτερικό φως του φούρνου.

Εάν αφαιρέσετε το φαγητό πριν ολοκληρωθεί ο χρόνος που είχατε επιλέξει, βεβαιωθείτε ότι έχετε επαναφέρει τον χρονοδιακόπτη στην θέση "0", έτσι θα αποτρέψετε την λειτουργία του φούρνου μικροκυμάτων με κενό φορτίο.

ΟΔΗΓΙΕΣ ΓΙΑ ΤΑ ΣΚΕΥΗ

Συνιστούμε ιδιαίτερα να χρησιμοποιείτε σκεύη κατάλληλα για ασφαλές ψήσιμο στο φούρνο μικροκυμάτων. Γενικά, τα δοχεία που κατασκευάζονται από πυρίμαχο κεραμικό, γυαλί ή πλαστικό είναι κατάλληλα για χρήση στο φούρνο μικροκυμάτων. Μην χρησιμοποιείτε ποτέ μεταλλικά δοχεία για χρήση στο φούρνο μικροκυμάτων και για συνδυαστικό ψήσιμο, καθώς ενδέχεται να παραχθούν σπινθήρες. Μπορείτε να συμβουλευτείτε τον παρακάτω πίνακα.

Υλικό δοχείου	Μικροκύματα	Σημειώσεις
Πυρίμαχο κεραμικό	Ναι	Μην χρησιμοποιείτε ποτέ κεραμικά διακοσμημένα με μεταλλικές λεπτομέρειες ή επισμαλτωμένα
Πυρίμαχο πλαστικό	Ναι	Δεν μπορεί να χρησιμοποιηθεί για χρήση στο φούρνο μικροκυμάτων για πολύ ώρα
Πυρίμαχο γυαλί	Ναι	
Πλαστική μεμβράνη	Ναι	Δεν πρέπει να χρησιμοποιείται όταν ψήνετε κρέας ή μπιριζόλες, καθώς η υπερβολική θερμοκρασία μπορεί να καταστρέψει τη μεμβράνη
Σχάρα γκριλ	Όχι	

Μεταλλικό δοχείο	Όχι	Δεν πρέπει να χρησιμοποιείται στο φούρνο μικροκυμάτων. Τα μικροκύματα δεν μπορούν να διεισδύσουν στο μέταλλο.
Λάκα	Όχι	Μικρή πυρίμαχη αντοχή. Δεν μπορεί να χρησιμοποιηθεί για ψήσιμο σε υψηλές θερμοκρασίες
Μπαμπού και χαρτί	Όχι	Μικρή πυρίμαχη αντοχή. Δεν μπορεί να χρησιμοποιηθεί για ψήσιμο σε υψηλές θερμοκρασίες

ΣΥΜΒΟΥΛΕΣ ΨΗΣΙΜΑΤΟΣ

Οι παρακάτω παράγοντες είναι δυνατό να επηρεάζουν το αποτέλεσμα του ψησίματος:

Διάταξη τροφίμων

Τοποθετείτε τα πιο χοντρά σημεία προς την περιφέρεια του πιάτου, τα πιο λεπτά σημεία προς το κέντρο και απλώστε τα ομοιόμορφα. Μην επικαλύπτεται αν είναι δυνατό.

Διάρκεια χρόνου μαγειρέματος

Αρχίστε το ψήσιμο με σύντομη ρύθμιση, αξιολογήστε το μετά το τέλος του χρόνου και συνεχίστε το, ανάλογα με τις πραγματικές ανάγκες σας. Το υπερβολικό ψήσιμο μπορεί να οδηγήσει σε καπνό και εγκαύματα.

Ομοιόμορφο ψήσιμο τροφίμων

Τρόφιμα, όπως το κοτόπουλο, τα μπιφτέκια ή οι μπιριζόλες πρέπει να γυρίζονται μία φορά κατά τη διάρκεια του ψησίματος.

Ανάλογα με τον τύπο του τροφίμου, κατά περίπτωση, ανακατέψτε το από την περιφέρεια του πιάτου προς το κέντρο μία ή δύο φορές κατά τη διάρκεια του ψησίματος.

Αφήστε το φαγητό μέσα στο φούρνο

Μετά το τέλος του χρόνου μαγειρέματος, αφήστε το φαγητό μέσα στο φούρνο για αρκετό χρόνο, αυτό του επιτρέπει να ολοκληρώσει τον κύκλο ψησίματος και να κρυώσει σιγά-σιγά.

Αν το φαγητό είναι έτοιμο

Το χρώμα και η σκληρότητα του τροφίμου σας βοηθά να καθορίσετε αν είναι έτοιμο, καθώς και:

- Αν βγαίνει ατμός από όλα τα σημεία του φαγητού, όχι μόνο από τα άκρα
- Αν τα κόκκαλα από τα πουλερικά μετακινούνται εύκολα
- Αν το χοιρινό ή τα πουλερικά δεν έχουν σημάδια από αίμα
- Αν το ψάρι είναι μαλακό και κόβεται εύκολα με το πιρούνι

Σκεύος ροδίσματος

Κατά τη χρήση σκεύους ροδίσματος ή αυτοθερμαινόμενου δοχείου, τοποθετείτε πάντοτε ένα πυράντοχο μονωτικό, όπως ένα πορσελάνινο πιάτο, κάτω από αυτό, για να μην καταστραφεί ο περιστρεφόμενος δίσκος και ο περιστρεφόμενος δακτύλιος.

Πλαστική μεμβράνη για χρήση σε φούρνο μικροκυμάτων

Όταν ψήνετε τρόφιμα με υψηλή περιεκτικότητα σε λίπος, μην αφήνετε την πλαστική μεμβράνη να έρθει σε επαφή με τα τρόφιμα, καθώς είναι δυνατό να λιώσει.

Πλαστικά σκεύη κατάλληλα για χρήση σε φούρνο μικροκυμάτων

Κάποια πλαστικά σκεύη κατάλληλα για χρήση σε φούρνο μικροκυμάτων ενδέχεται να μην είναι κατάλληλα για το ψήσιμο τροφίμων υψηλής περιεκτικότητας σε λίπος και ζάχαρη. Επίσης, δεν πρέπει να υπερβείτε το χρόνο προθέρμανσης που καθορίζεται στο εγχειρίδιο οδηγιών του σκεύους.

ΣΥΝΤΗΡΗΣΗ**ΕΠΙΣΚΕΥΗ**

Πριν καλέσετε το σέρβις, ελέγξτε πρώτα τα παρακάτω θέματα:

1. Τοποθετήστε ένα φλιτζάνι νερό (περίπου 150ml) σε ένα γυάλινο δοσομετρητή μέσα στο φούρνο και κλείστε καλά την πόρτα. Η λυχνία του φούρνου πρέπει να σβήσει αν η πόρτα κλείσει καλά. Αφήστε το φούρνο σε λειτουργία για 1 λεπτό.
2. Ανάβει η λυχνία του φούρνου;
3. Λειτουργεί ο ανεμιστήρας ψύξης;
(Βάλτε το χέρι σας πάνω από τα πίσω ανοίγματα εξαερισμού.)
4. Περιστρέφεται ο περιστρεφόμενος δίσκος;
(Ο περιστρεφόμενος δίσκος μπορεί να περιστρέφεται αριστερά ή δεξιά. Αυτό είναι φυσιολογικό.)

5. Είναι καυτό το νερό μέσα στο φούρνο;
Αν η απάντηση σε οποιαδήποτε από τις παραπάνω ερωτήσεις είναι “ΟΧΙ”, ελέγξτε την επιτοίχια πρίζα σας και την ασφάλεια στον ηλεκτρολογικό πίνακα.

Αν τόσο η επιτοίχια πρίζα όσο και η ασφάλεια λειτουργούν σωστά, ΕΠΙΚΟΙΝΩΝΗΣΤΕ ΜΕ ΤΟ ΠΛΗΣΙΕΣΤΕΡΟ ΕΞΟΥΣΙΟΔΟΤΗΜΕΝΟ ΚΕΝΤΡΟ ΣΕΡΒΙΣ.

ΣΕΡΒΙΣ ΚΑΙ ΕΠΙΣΚΕΥΕΣ

1. Για το σέρβις και τις επισκευές στο πλαίσιο της εγγύησης, επικοινωνήστε με την εξουσιοδοτημένη εταιρεία σέρβις που αναγράφεται στην κάρτα εγγύησης που συνοδεύει το προϊόν.
2. Μην θέτετε σε λειτουργία οποιοδήποτε προϊόν με κατεστραμμένο καλώδιο ή φιλς. Αν το καλώδιο τροφοδότησης είναι κατεστραμμένο, επιστρέψτε τη συσκευή σε ένα κέντρο σέρβις της SINGER για εξέταση και επισκευή ή ρύθμιση. Μην επιχειρήσετε να αποσυναρμολογήσετε οποιοδήποτε μέρος της συσκευής. Αυτό πρέπει να γίνει μόνο σε εξουσιοδοτημένο κέντρο σέρβις της SINGER.
3. Η μερική ή πλήρης αθέτηση των οδηγιών ασφαλείας του παρόντος εγχειριδίου οδηγιών απαλλάσσει αυτόματα τη Singer από οποιονδήποτε τύπο ευθύνης σε περίπτωση δυσλειτουργίας της συσκευής ή τραυματισμού προσώπων ή ζώων.
4. Σε περίπτωση χειρισμού, επισκευής ή τροποποίησης της συσκευής από μη εξουσιοδοτημένα πρόσωπα ή σε περίπτωση ακατάλληλης χρήσης, η εγγύηση παύει αυτόματα να ισχύει.



Αποκομιδή Παλαιού Ηλεκτρικού & Ηλεκτρονικού Εξοπλισμού (Ισχύει στην Ευρωπαϊκή Ένωση και άλλες Ευρωπαϊκές χώρες με συστήματα επιλεκτικής συλλογής απορριμμάτων).

Το σύμβολο αυτό επάνω στο προϊόν ή στη συσκευασία του σημαίνει ότι το προϊόν δεν πρέπει να πεταχτεί μαζί με τα οικιακά απορρίμματα αλλά πρέπει να παραδοθεί σε ένα κατάλληλο σημείο συλλογής ηλεκτρικού και ηλεκτρονικού υλικού προς ανακύκλωση. Εξασφαλίζοντας τη σωστή αποκομιδή του προϊόντος βοηθάτε στην πρόληψη πιθανών αρνητικών επιπτώσεων στο περιβάλλον και την υγεία. Η ανακύκλωση των υλικών θα βοηθήσει στην εξοικονόμηση φυσικών πόρων. Για περισσότερες πληροφορίες σχετικά με την ανακύκλωση αυτού του προϊόντος, παρακαλούμε επικοινωνήστε με τις υπηρεσίες καθαριότητας του δήμου σας ή το κατάστημα όπου αγοράσατε το προϊόν.

ΔΗΛΩΣΗ ΣΥΜΜΟΡΦΩΣΗΣ

Με την παρούσα, η Γ. Ε. ΔΗΜΗΤΡΙΟΥ Α.Ε.Ε., δηλώνει ότι η παρούσα συσκευή συμμορφώνεται προς τις ουσιώδεις απαιτήσεις και τις λοιπές διατάξεις των παρακάτω Ευρωπαϊκών οδηγιών:

EMC Directive: 2014 / 30 / EU

LVD - Low Voltage Directive: 2014/ 35 / EU

ROHS Directive: 2011 / 65 / EU

ВАЖНИ ИНСТРУКЦИИ ЗА БЕЗОПАСНОСТ ПРОЧЕТЕТЕ ВНИМАТЕЛНО И ПАЗЕТЕ ЗА БЪДЕЩИ СПРАВКИ

Важни предпазни мерки

Следните основни предпазни мерки трябва да се спазват при използване на електрически уреди:

1. Прочетете всички инструкции преди да използвате уреда.
2. Уверете се, че напрежението във вашето жилище е съответстващо на това, което е показано на етикета на уреда. Уверете се, че контактът е правилно заземен.
3. За да намалите риска от пожар във вътрешността на фурната:
 - а. Не преварявайте храна.
 - б. Премахнете металните, хартиените или пластмасовите торбички, преди пускането на храната във фурната.
 - в. Не загрявайте масло или мазнина за дълъг период от време, тъй като температурата на маслото не може да се контролира.
 - г. След употреба почистете предпазния капак на вълновода с влажна кърпа, последвано от суха кърпа, за да се отстранят всички хранителни пръски и мазнини. Застоялата мазнина може да прегрее и да започне да предизвика дим или да се запали.
 - д. Ако във фурната започнат да пушат или да горят продукти, запазете вратата на фурната затворена, изключете я и извадете щепсела от захранването.
 - е. При загряване на храна в пластмасови или хартиени опаковки, наблюдавайте внимателно фурната, поради опасност от запалване.

4. За да се намали рискът от експлозия и внезапно кипене:
 - а. **ВНИМАНИЕ:** Течности и други храни, не трябва да се загряват в запечатан контейнер (опаковка), тъй като те могат да се взривят; Бебешки бутилки, снабдени с капачка на винт или биберон, се считат като запечатани контейнери (опаковки).
 - б. Използвайте контейнер (опаковка) с широк отвор, за да готвите течности, като варените течности не трябва да бъдат отстранявани незабавно. Няколко секунди трябва да се изчака, преди да бъдат извадени, за да се избегнат възможни опасности, причинени от забавяне на завиране на течностите.
 - в. Картофи, наденица и кестени трябва да бъдат обелени или пробити преди готвене. Яйца с черупка, цели твърди, сварени яйца не трябва да се нагряват в микровълнови фурни, тъй като те могат да се взривят, дори и след като подгряването е приключило.
 - г. Съдържанието на шишета за хранене и бурканчета с детска храна трябва да се разбърква или разклаща и температурата трябва да се проверява преди консумация, за да се избегнат изгаряния.
5. Ако хранващият кабел е повреден, той трябва да бъде подменен от производителя, или неговия сервизен агент, или квалифициран техник, за да се избегне риска от електрически удар.
6. След готвене, контейнерът е много горещ. Използвайте ръкавици, за да вземете храната и да избегнете изгаряния от парата чрез насочването ѝ далеч от лицето и ръцете.
7. Бавно вдигнете отдалечения ръб на капачката за ястия и микровълновата пластмасова обвивка и внимателно отворете пуканки или пликосе за готвене далеч от лицето.

8. За да се предотврати счупване на въртящия се диск:
 - а. Оставете въртящия се диск да изстине преди почистване.
 - б. Не поставяйте горещи храни или прибори върху студен въртящ се диск.
 - в. Не поставяйте замразени храни или прибори върху горещ въртящ се диск.
9. Уверете се, че съдовете не докосват вътрешните стени по време на готвене.
10. Използвайте само съдове, които са подходящи за използване в микровълнови фурни.
11. Да не се съхранява храна или никакви други неща вътре във фурната.
12. Не използвайте фурната без никаква течност или храна в нея. Това ще повреди фурната.
13. Ако уредът се използва в комбиниран режим, децата трябва да използват само фурната под надзора на възрастен поради генерираните температури.
14. Използването на аксесоари, които не са препоръчани от производителя, могат да причинят наранявания на хора.
15. Да не се използва на открито.
16. Запазете тези инструкции.
17. **ВНИМАНИЕ:** Ако уплътненията на вратата, или вратата е повредена, или самата фурна е повредена, то тя не трябва да се експлоатира, докато не бъде поправена от компетентно лице;
18. **ВНИМАНИЕ:** Опасно е лице, различно от компетентно лице да извършва всякакъв ремонт или поддръжка, която включва отстраняването на капака, който дава защита срещу излагане на микровълнова енергия;
19. Ако се отделя дим, изключете уреда и дръжте вратата затворена, за да се предотврати поява на пламъци;

20. Микровълновото затопляне на напитки може да доведе до завиране; Затова трябва да се внимава при работа с контейнер;
21. Не използвайте разяждащи, абразивни, почистващи препарати или остри метални стъргалки за почистване на стъклото на вратата на фурната, тъй като те могат да надраскат повърхността, което може да доведе до счупване на стъклото.
22. Лампата на микровълнова фурна не е предназначена за други цели.
23. Уредите не са предназначени да бъдат експлоатирани чрез външен таймер или отделна система за дистанционен контрол.
24. Това устройство е предназначено да се използва в битови и подобни приложения, като например:
 - Персонал в кухненски помещения на магазини, офиси и други работни среди;
 - Ферма;
 - Клиенти в хотели, мотели и други жилищни сгради;
 - Закуска в леглото или други видове закуски.
25. Микровълновата фурна е предназначена за затопляне на храни и напитки. Сушене на храна или дрехи и затопляне на кърпи, чехли, гъби, влажна кърпа и подобни може да доведе до риск от нараняване, запалване или пожар.
26. Този уред може да се използва от деца на възраст от 8 години или повече и хора с ограничени физически, сетивни или умствени способности или липса на опит и познания, ако са под наблюдение или използвайки инструкцията за използване на уреда по безопасен начин. Децата не трябва да си играят с уреда. Почистване и поддръжка на потребителя не се прави от децата, освен ако те са над 8

и под наблюдение. Пазете уреда и неговия кабел далеч от обсега на деца под 8 години.

27. Този уред не е предназначен за употреба от лица (включително деца) с ограничени физически, сетивни или умствени способности, или липса на опит и познания, освен ако те не са били наблюдавани или инструктирани относно използването на уреда от лице, отговорно за тяхната безопасност.
28. Децата трябва да бъдат наблюдавани, за да се гарантира, че те не си играят с уреда.
29. Не трябва да се използва почистване с пара.
30. Вратата или външната повърхност може да са горещи, когато уредът работи.
31. **ВНИМАНИЕ:** Достъпните части могат да се нагорещят по време на употреба. Малките деца трябва да се държат далеч.
32. По време на употреба на уреда става горещо. Трябва да се внимава да не докосвате нагревателните елементи вътре в печката.
33. Повърхностите са в състояние да се нагорещят по време на употреба.



CAUTION: HOT SURFACE

само за домашна употреба

ИНСТАЛАЦИЯ

1. Извадете цялата опаковка. Ако има безопасен филм над фурната, разкъсайте го преди употреба. Проверете внимателно за евентуални повреди. Ако има такива, незабавно уведомете вашия дилър или изпратете уреда в сервизен център на производителя.
2. Микровълновите печки, трябва да бъдат поставени под сухи и некорозионни среди, да се държат далеч от източници на топлина и влажност, като газова горелка или резервоар за вода.
3. За да се осигури достатъчна вентилация, разстоянието на гърба на микровълновата фурна към стената трябва да бъде най-малко 10 см, отстрани на стената трябва да бъде най-малко 5 см, свободното разстояние над горната повърхност най-малко 20 см. разстоянието на микровълновата от земята трябва да бъде най-малко 85 см.
4. Позицията на фурната трябва да е такава, че тя да е далеч от телевизора, радиото или антената, за да не се предизвика смущение на картина. Разстоянието трябва да е повече от 5 м.
5. Уредът трябва да бъде поставен така, че щепселът да е достъпен, и трябва да се осигури добра основа в случай на течове, да може да бъде създадена сигурна основа, за да се избегне токов удар.
6. Микровълновата фурна трябва да се експлоатира при затворена врата.
7. Микровълновата фурна не трябва да бъде поставена в шкаф. Микровълновата печка е предназначена да се използва свободностояща.
8. Възможно е наличието на производствен остатък или масло по основата на фурната или върху топлинен елемент, той обикновено ще отдели миризма, дори лек дим, Нормално е това да не се случи, ако на няколко пъти след използването на уреда, държите вратата или прозореца отворени, за да се осигури добра вентилация. Така, че е силно препоръчително да настроите фурната на режим на грил и работят сухи няколко пъти.

ПОЧИСТВАНЕ ГРИЖА ЗА МИКРОВЪЛНОВАТА ФУРНА



ВАЖНО:

Фурната трябва да се почиства редовно и да се отстраняват всякакви хранителни остатъци.



ВНИМАНИЕ:

1. Извадете захранващия кабел от контакта преди почистване. Не потапяйте уреда във вода или други течности, при почистване.
2. Невъзможността да се поддържа фурната в чисто състояние може да доведе до влошаване на повърхността, която може да повлияе неблагоприятно на живота на уреда и може да доведе до опасна ситуация
3. Никога не използвайте твърд препарат, бензин, абразивен прах или метална четка за почистване на всяка част на уреда
4. Не сваляйте капака на вълновода
5. Когато фурната е била използвана дълго време, може да съществуват някои странни миризми, но със следните 3 метода може да се отърве от тях:
 - а. Поставете няколко резени лимон в чаша, след това се нагрива с висока микро мощност за 2-3 мин.
 - б. Поставете чаша червен чай във фурната, след това се нагрива с висока микро мощност.
 - в. Поставете малко портокалова кора и след това нагрейте с висока микро мощност за 1 минута.
6. **ВНИМАНИЕ:** Децата могат да използват фурната без надзор, само когато са дадени адекватни инструкции, така че детето да е в състояние да използва фурната по безопасен начин, като разбира опасностите от неправилното използване;

СЪВЕТИ ЗА ПОЧИСТВАНЕ

Детайли за почистване на уплътненията на вратата, вътрешността и прилежащите части:

Външна част:

Избършете корпуса с навлажнена мека кърпа

Врата:

С помощта на навлажнена мека кърпа, избършете вратата и прозореца
Избършете уплътненията на вратата и прилежащите части така, че да се отстранят всички разливи или пръски

Избършете контролния панел с леко навлажнена мека кърпа

Вътрешни стени:

Избършете вътрешността с навлажнена мека кърпа

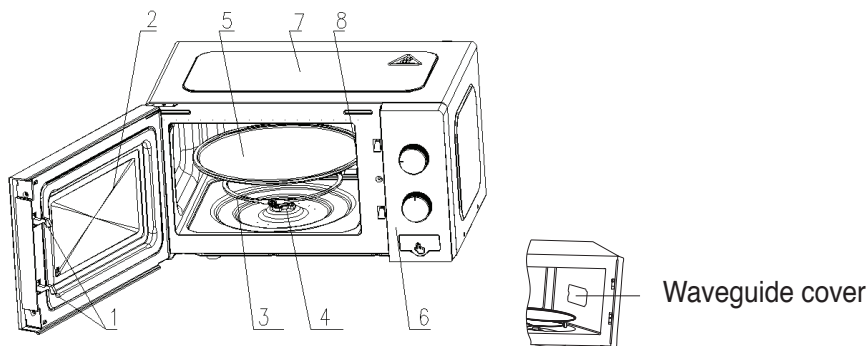
Избършете капака на вълновода, за да се отстранят всички залепнали храни

Въртящ се диск / Ротационен пръстен / ос на въртене:

Измийте с мека сапунена вода

Изплакнете с чиста вода и оставете да изсъхне

УКАЗАНИЯ ЗА ПРОДУКТА



1) Брава за врата

Вратата на Микровълновата фурна трябва да бъде добре затворена, за да може да работи изрядно

2) Прозорец

Позволява на потребителя да види състоянието на готвене

3) Въртящ се пръстен

Въртящият се диск от стъкло седи върху колела; Те помагат да се балансират при завъртане

4) Въртяща се ос

Въртящият се диск от стъкло седи на оста; Двигателя отдолу го кара да се върти

5) Въртящ се диск

Храната седи върху въртящ се диск, въртенето му по време на работа помага да се готви храната равномерно

**ВНИМАНИЕ**

- Поставете въртящия се пръстен първо
- Поставете въртящия се диск върху въртящата се ос и се уверете, че тя е насочена правилно

6) Контролен панел

Вижте по-долу в подробности (контролния панел е обект на промяна без предизвестие)

7) Външен капак

Използва се за обвиване и защита на вътрешните конструктивни части и електрическите компоненти на цялата машина

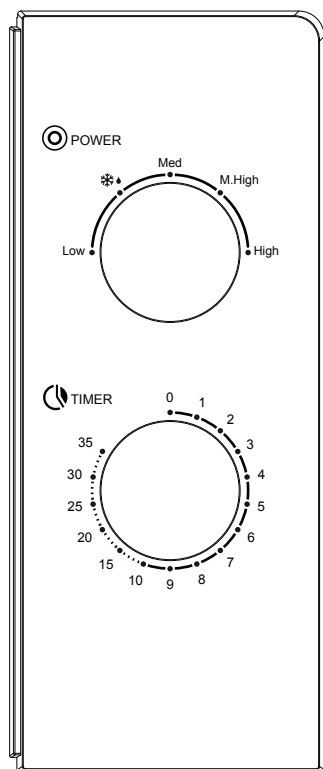
8) Вълноводен капак

Той е вътре в микровълновата фурна, в непосредствена близост до стената на контролния панел.

**ВНИМАНИЕ**

Никога не сваляйте капака на вълновода

КОНТРОЛЕН ПАНЕЛ

**1) Timer**

- Максималното време, което може да се зададе, е 35 минути
- Всяка настройка е за 1 минута
- Звънецът ще звънне, когато зададеното време на таймера е в позиция 0.

2) Функции/Power knob

Има 5 нива на мощност:

ВИСОКА	100% мощност	(Бързо готвене)
средно Висока	80% мощност	(нормално готвене)
Средна	55% мощност	(бавно готвене)
средно Ниска	30% мощност	(Размразяване на храна)
НИСКА	17% мощност	(поддържайте топло)

В следващата таблица е показано времето на размразяване за различни храни:

	Тегло	Размразяване
Месо	0.1~1.0kg	1:30~26:00
Домашни птици	0.2~1.0kg	2:30~22:00
Морска храна	0.1~0.9kg	1:30~14:00

ОПЕРАЦИИ

- Свържете кабела с контакта
 - Преди да свържете кабела с контакта, уверете се, че таймера е на позиция "0"
 - Не запушвайте вентилацията
- Поставете храната върху стъкления въртящ се диск и затворете вратата
 - Храната трябва да се съдържа в един прибор
- Изберете желаното ниво на мощност
- Настройте таймера

Ако желаното време е по-малко от 10 минути, завъртете копчето на таймера за повече от 10 минути и след това трябва да се върне до желаната настройка на времето.
- След задаване на желаното време, започва готвенето. Ако е необходимо да се направи пауза между тях, просто отворете вратата по всяко време, след което я затворете, за да подновите работа
- Когато времето изтече и храната трябва да се извади, микровълновата фурна произвежда звънене, вътрешната лампа

също ще бъде автоматично изключена
Ако храната се отстрани преди да изтече времето, уверете се, че сте върнали таймера до положение "0". По този начин се избягва микровълновата фурна да работи в празно натоварване.

НАСОКИ

Силно е препоръчително да се използват контейнери (опаковки), които са подходящи и безопасни за готвене в микровълнова фурна. Най-общо казано, тези, които са изработени от топлоустойчива керамика, стъкло или пластмаса са подходящи за готвене в микровълнова фурна. Никога не използвайте метални контейнери за готвене в микровълнова фурна, защото в комбинация е вероятно да се получат искри. Можете да вземете позоваването на таблицата по-долу.

Материал на контейнер	Микровълнова печка	Бележки
Топлоустойчив керамичен	да	Никога не използвайте керамика, която е украсена с метална джанта или остъклена
Топлоустойчив пластмасов	да	Не може да се използва за дълъг период от време на готвене в микровълнова фурна
Термоустойчиво стъкло	да	
Пластмасово фолио	да	То не трябва да се използва при готвене на месо или пържолки, като високата температурата може да направи щети на филма
Grill скара	Не	

Метален контейнер	Не	Той не трябва да се използва в микровълнова фурна. Микровълновата вълна не може да проникне през метал.
Лак	Не	Термоустойчиво лош. Не може да се използва за висока температура на готвене
Bamboo дърво и хартия	Не	Термоустойчиво лош. Не може да се използва за висока температура на готвене

СЪВЕТИ ЗА ГОВЕНЕ

Следните фактори могат да повлияят на резултата за готвене:

Подреждане на храните

Поставете дебелият част от външната част на ястието, тънката част към центъра и ги разпределете равномерно. Да не се припокриват, ако е възможно.

Време на готвене

Започнете готвене с настройка за кратко време, след това го удължете, в зависимост от реалната необходимост. Прекомерното готвене може да доведе до дим и изгаряния.

Равномерно Печене на Храна

Храни като пиле, хамбургер или пържола трябва да се завъртят веднъж по време печене. В зависимост от вида на храната, ако е приложимо, тя се разбърква отвън до центъра на ястието веднъж или два пъти по време на готвене

Време на престой

След готвене, оставете храната във фурната за достатъчно дълго време, това позволява да завърши своя цикъл за готвене и я охлажда постепенно,

Правилно готвене на храната

Цвят и твърдост на храна от помощ, за да се определи дали това е правилно включва следните неща:

- Пара излиза от всички части на храната, а не само на ръба
- Кости на домашни птици могат да бъдат преместени лесно

- Свинското или пилешкото нямат остатъци от кръв
- Рибата е непрозрачна и лесно може да бъде нарязан с вилица

Запечено ястие

При използване на запичане на ястие или самостоятелно отопление на контейнер, винаги поставяйте топлоустойчив изолатор като порцеланова плоча под него, за да се предотврати повреда на въртящия се диск и пръстен.

Микровълнова безопасна пластмасова обвивка

При готвене на храни с високо съдържание на мазнини, не позволявайте на найлоновата опаковка да влиза в контакт с храната, тъй като тя може да се стопи

Микровълнова безопасна пластмаса, съдове за готвене

Някои микровълнови пластмаса съдове за готвене може да не са подходящи за готвене на храни с високо съдържание на мазнини и захар. Също така, времето на подгряване е посочено в инструкцията за ястие и то не трябва да се превишава

ПОДДРЪЖКА ОБСЛУЖВАНЕ

Моля, проверете следното, преди да платите за услугите.

Налейте вода (около 150ml) в чаша с мярка, поставете във фурната и затворете вратата сигурно. Лампата трябва да изгасне, ако вратата е затворена правилно. Нека работи 1 мин.

1. Свети ли лампата?
2. Работи ли вентилаторът за охлаждане?
(Поставяйте ръката си върху задните вентилационни отвори.)
3. Върти ли се дискът?
(Въртящият се диск може да се върти по часовниковата стрелка или обратно на часовниковата стрелка. Това е съвсем нормално.)
4. Дали водата вътре е гореща?
Ако "не", е отговорът на някой от горните въпроси, моля, проверете си контакта и бушона.
Ако и двата контакта и бушона функционират правилно, се свържете с най-близкия сервиз за помощ.

СЕРВИЗ И РЕМОТ

1. За обслужване и ремонт в гаранция, моля, свържете се с оторизиран сервиз на компанията, който се споменава в гаранционната карта, която придружава продукта.
2. Не използвайте продукта при повреден кабел или щепсел. Ако захранващият кабел е повреден, върнете уреда в SINGER сервиз за ремонт преглед или корекция. Не се опитвайте да разглобявате, която и да е част на уреда. Това следва да се извършва само в оторизиран SINGER сервизен център.
3. Частично или пълно неспазване на инструкциите за безопасност в настоящото ръководство автоматично освобождава SINGER от всякакъв вид отговорност в случай на повреда на машината или наранявания на хора или животни.
4. В случай на манипулиране, ремонт или всяка модификация на машината, направена от неоторизирани лица, или в случай на неправилна употреба, гаранцията ще бъде автоматично анулирана



Във връзка със стари електрически и електронни уреди (приложимо в Европейския съюз и други европейски страни с разделно събиране на отпадъци)

Този знак, намиращ се върху уреда или опаковката му, означава, че този продукт не трябва да бъде изхвърлен заедно с обикновените битови отпадъци, а трябва да бъде предаден в предназначените за тази цел пунктове за рециклиране. Правилното рециклиране помага за опазването на околната среда. За повече информация във връзка с рециклирането на продукта се обърнете към съответните служби във Вашето Кметство или Община.

ДЕКЛАРАЦИЯ ЗА СЪОТВЕТСТВИЕ

С това "ОНПАРТС" ЕООД заявява, че този продукт отговаря на изискванията на по-долу изброените европейски директиви:

EMC директива: 2014/30 / EC

LVD - Директива за ниско напрежение: 2014/35 / EC

ROHS директива: 2011/65 / EC



A series of horizontal dotted lines for writing, arranged in a grid pattern across the page.



SINGER®

G. E. DIMITRIOU S.A.

6 KIFISSOU STR., 122 42 EGALEO, ATHENS, GREECE

T: +30 210 5386400, +30 210 5138141

Γ. Ε. ΔΗΜΗΤΡΙΟΥ Α.Ε.Ε.

ΚΗΦΙΣΟΥ 6, 122 42 ΑΙΓΑΛΕΩ, ΑΘΗΝΑ

T: 210 5386400, 210 5138141

VELANIS APPLIANCES A.E.

ΣΕΡΒΙΣ & ΑΝΤΑΛΛΑΚΤΙΚΑ

ΔΥΡΡΑΧΙΟΥ 62, 104 43 ΣΕΠΟΛΙΑ

T: 210 5135874, 210 5139517

ВНОСИТЕЛ: "ОНПАРТС" ЕООД

BG204408784

БУЛ. "ЧЕРНИ ВРЪХ" № 47,
СОФИЯ 1407, БЪЛГАРИЯ

02/9620444

www.singer.gr
www.singer.bg