

IMPORTANT! KEEP THIS MANUAL FOR FUTURE REFERENCE

**INSTRUCTION MANUAL FOR USE OF
BABY STROLLER “APRIL”**

APRIL



This stroller **chipolino** is manufactured according to the requirements of the Product Safety Directive 2001/95/EU of the European Parliament and The Council and with European standards EN 1888-1:2018 Child use and care articles. Wheeled child conveyances. Part 1: Pushchairs and prams and EN 1888-2:2018 Child care articles - Wheeled child conveyances - Part 2: Pushchairs for children above 15 kg up to 22 kg and the regulations of national legislation.

**FOLLOW ALL WARNINGS, INSTRUCTIONS AND RECOMMENDATIONS
IN THIS MANUAL IN ORDER TO GUARANTEE THE SAFE USE OF THIS
PRODUCT!**

CAUTION! WARNINGS!

- ❖ **CAUTION!** NEVER LEAVE YOUR CHILD UNATTENDED!
- ❖ **CAUTION!** ALWAYS USE THE RESTRAINT SYSTEM (SAFETY BELTS) ONCE THE CHILD CAN SIT UNAIDED!
- ❖ **CAUTION!** MAKE SURE THAT ALL LOCKING MECHANISMS ARE ENGAGED BEFORE EACH USE!
- ❖ **CAUTION!** BEFORE EACH USE, CHECK THE STABILITY OF FIXING OF SEPARATE PARTS!

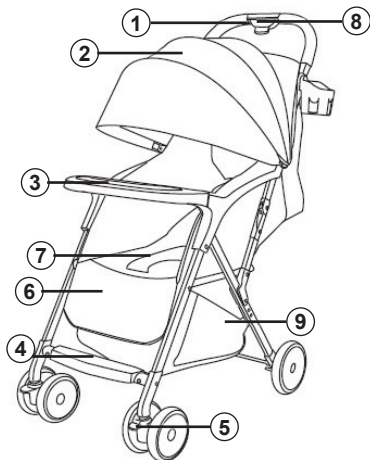
- ❖ **CAUTION!** MAKE SURE YOUR CHILD IS AT SAFE DISTANCE AWAY FROM THE STROLLER DURING ADJUSTMENTS, FOLDING OR UNFOLDING OF THE STROLLER.
- ❖ **CAUTION!** DO NOT ALLOW YOUR CHILDREN TO PLAY WITH THE STROLLER!
- ❖ **CAUTION!** THIS PRODUCT IS NOT SUITABLE FOR RUNNING OR SKATING!
- ❖ FOR NEWBORN BABIES, USE THE MOST RECLINED POSITION OF THE BACKREST OF THE SEAT! ALWAYS ATTACH THE CANOPY TO THE BACKREST TO PREVENT THE BABY TO FALL AND INJURE!
- ❖ USE THE POSITION OF THE BACKREST FOR THE SITTING POSITION OF THE CHILD AFTER 6 MONTHS AGE! THE POSITION OF THE BACKREST IN "SITTING" POSITION IS NOT SUITABLE FOR CHILDREN UP TO 6 MONTHS!
- ❖ DO NOT LIFT THE STROLLER BY THE SAFETY BAR!
- ❖ KEEP AWAY FROM FIRE!
- ❖ To be used for a child with weight up to 22 kg.
- ❖ Adult assembly is required!
- ❖ Always activate the parking device when you put the children in or out of the stroller!
- ❖ Make sure the safety belts are correctly fastened and adjusted before each use.
- ❖ Do not put additional mattress in the stroller!
- ❖ The maximum load for the storage basket is 3 kg!
- ❖ The maximum load for canopy pocket is 0.5 kg!
- ❖ Do not overload the stroller! Every load attached to the handle, bumper, and backrest or on the side of the stroller will affect its stability!
- ❖ To be used for one child only at a time. Do not place two or more children in the stroller!
- ❖ Only use spare parts or other components, which are recommended or supplied by the producer! In the contrary case the producer is not responsible for the product's safety.
- ❖ Do not make any changes or modifications to the stroller's construction! In case of problems contact the dealer or an authorized repair service for advice and/or repair.
- ❖ Do not use this stroller if you find missing or damaged parts!
- ❖ Do not allow children younger than 3 years near the stroller during its assembly!
- ❖ Do not attach any strings or long cords to the stroller in order to avoid risk of suffocation!
- ❖ Do not use the stroller on stairs or escalators and pay attention when overcoming a curb or a step.
- ❖ Keep the plastic packaging away from children in order to avoid risk of suffocation!



PRODUCT FEATURES

- ❖ This stroller is intended for infants or babies under 4 years of age or weighing up to 22 kg (whichever comes first);
- ❖ 5-point safety harness;
- ❖ Adjustable backrest;
- ❖ Adjustable canopy;
- ❖ Adjustable leg rest;

MAIN PARTS



- 1 - Handle
- 2 - Canopy
- 3 - Tray
- 4 - Leg rest
- 5 - Front wheels
- 6 - Footrest
- 7 - Safety belts (restraint system)
- 8 - Folding mechanism
- 9 - Storage basket

ASSEMBLY INSTRUCTIONS AND FUNCTIONS

This stroller is supplied partially assembled. In order to complete the assembly, you do not need any tools.

IMPORTANT! Follow exactly the instructions given and check the pictures.

IMPORTANT! After each operation, make sure that you have followed the instructions correctly and the fixing is stable!

IMPORTANT! In most cases after the completion of an operation you will hear a clicking sound

The assembly, disassembly and functions are numbered from 1 to 11. Use the operations descriptions given in this manual and their matching picture.

1 – UNFOLDING THE STROLLER

1-1 – Release the transport hook.

1-2 - Hold the handle with your hands and pull it up until you hear a “clicking” sound and the stroller locks into the unfolded position (1-3).

2 – ASSEMBLY OF FRONT WHEELS

Attach the front wheel to the front axle of the frame, following the direction of the arrow marked on the wheel. Press until you hear a “click” sound. Make sure the wheel is locked as you try to pull it off the axle.

3 – ASSEMBLY AND REMOVAL OF REAR WHEELS

Press the K pins and insert the rear wheel assembly into the rear tubes (l) of the frame. The pins must fit into the holes of the tubes to make the rear wheel set fixed. When fixing, you will hear a clicking sound. To remove the wheels, press the “K” pins and pull the rear wheel assembly out of the frame tubes.

4 – ASSEMBLY AND REMOVAL OF THE FRONT TRAY

To remove the front tray, press the buttons for removal on the underside of the tray and remove from the frame.

FUNCTIONS

5 – SWIVELING AND STRAIGHT MOTION OF FRONT WHEELS

IMPORTANT! When using the stroller on uneven surfaces, fix the front wheels for straight motion.

6 – LEG REST

The leg rest can be adjusted in two positions. Press simultaneously the both thumbs and place in don position.

For moving in upper position, push the leg rest with hand upwards.

7 – PARKING DEVICE

Press down the parking device to activate it and stop the stroller.

Lift up the parking device to release it and the stroller to move again.

CAUTION! Always engage the parking device, when the stroller is stationary to avoid the risk of slipping of the stroller!

8 - ADJUSTING THE POSITION OF THE BACKREST

CAUTION! BABY UNDER 6 MONTHS TO BE PLACED ON THE SEAT ONLY WITH THE BACKREST, ADJUSTED IN THE MOST RECLINED (FLAT) POSITION!

9 – CANOPY AND CUP HOLDER

Push with hand to fold the canopy (1). Pull the canopy to open it (2).

CAUTION! Always attach the canopy to the backrest to prevent the baby to fall and injure!

Attach the cup holder to the handle of the stroller and press, until you hear clicking sound.

10 - RESTRAINT SYSTEM (safety belts).

10-1 – Unfastening of the safety belts;

10-2 –Fastening of the safety belts.

Adjust the length of the shoulder straps, waist belts and the crotch belt by beans of buckles.

Remark: Belt must be snug to child’s body and must not be twisted

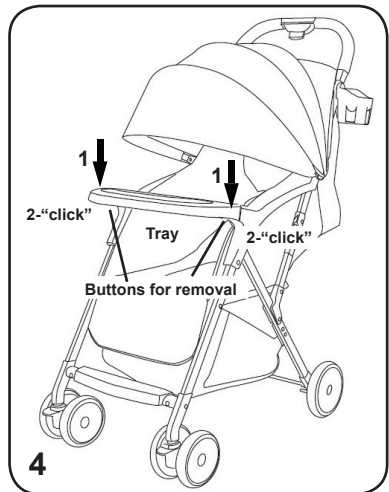
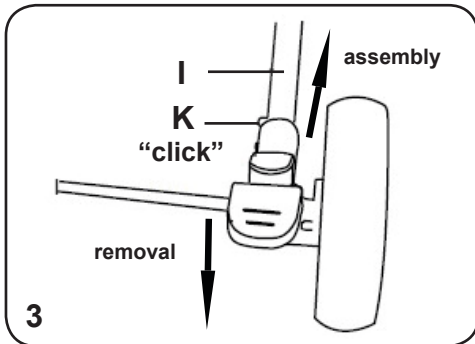
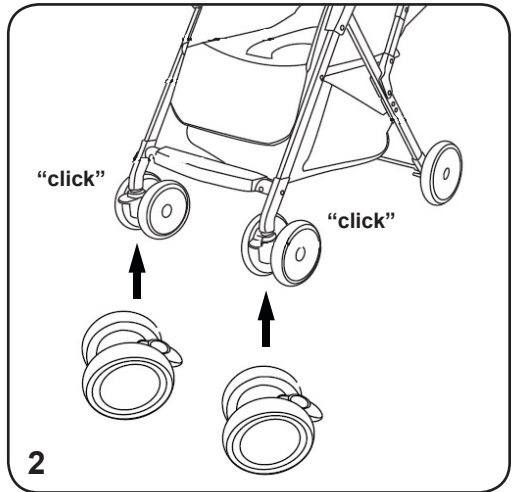
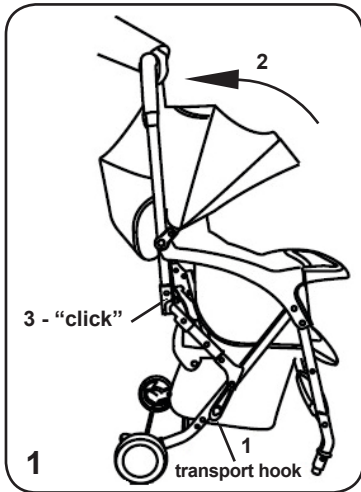
CAUTION! Periodically check to ensure that the seat belt is securely attached to the stroller frame as well as securely fastened. The belts should not be worn or torn, and plastic buckles and fasteners must be sturdy, free of damage and secure.

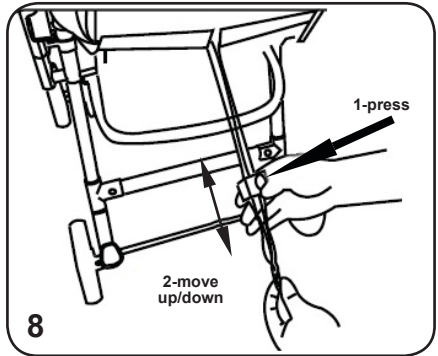
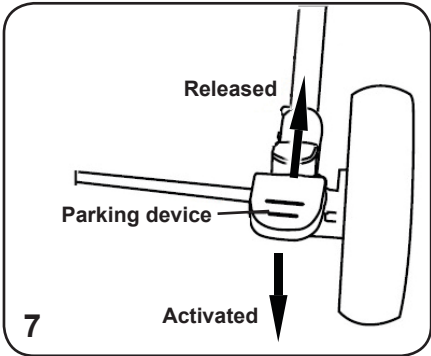
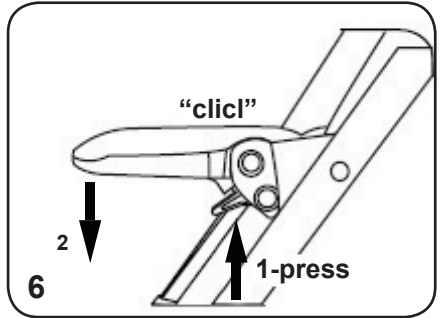
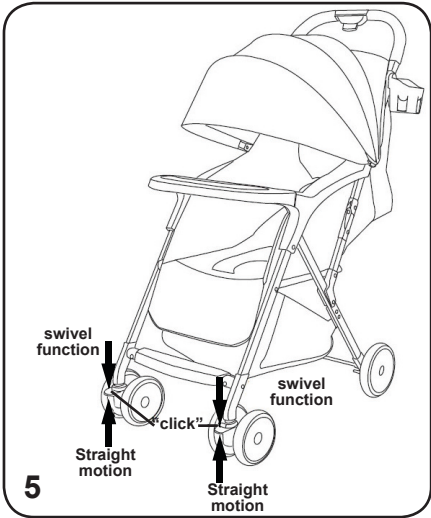
ATTENTION! When using the seat for newborn baby, before placing the child into the stroller, you must remove the pad (which is part of the set of the stroller) by threading the seat belt straps through the openings, put the straps to the sides of the seat and to place the pad again to cover them. The pad is fixed to the seat with velcro straps at the top of the backrest.

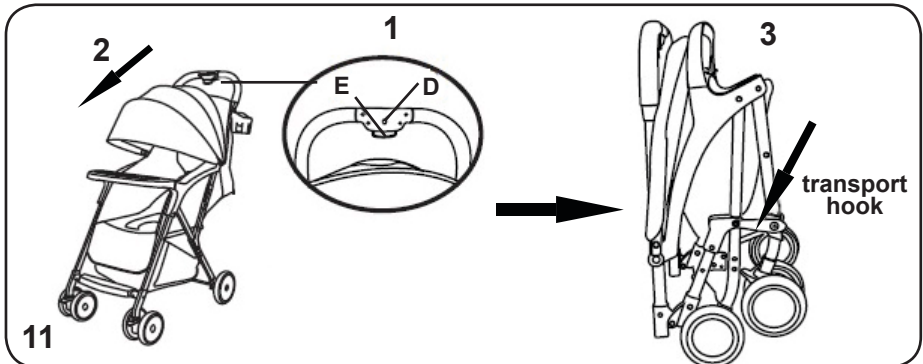
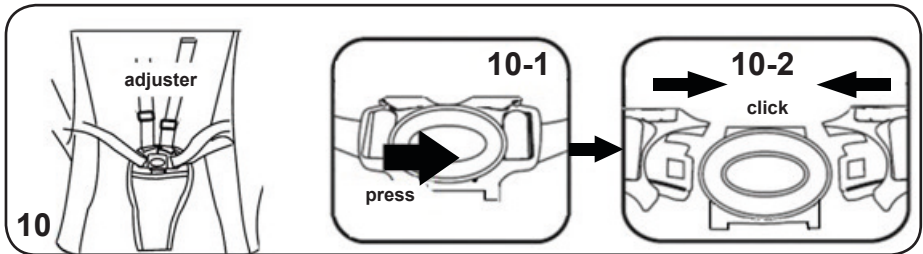
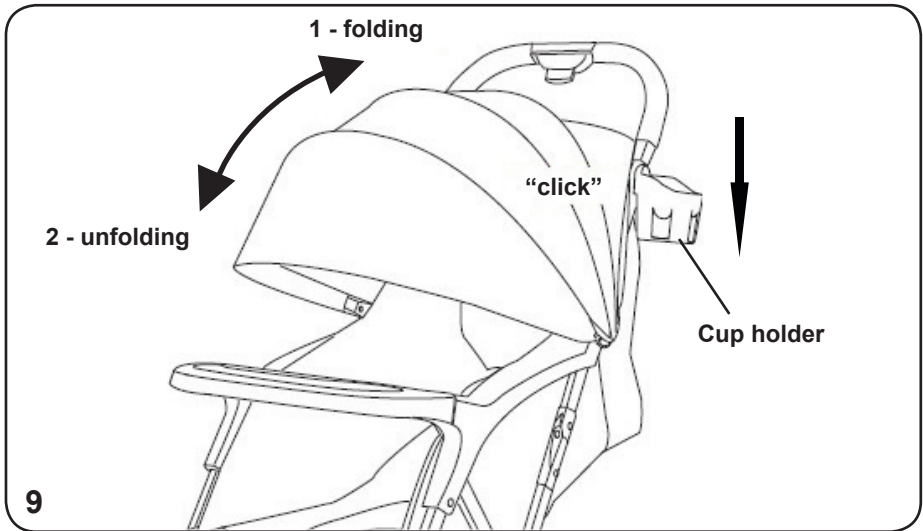
11 – FOLDING THE STROLLER

IMPORTANT! Before folding the stroller, always activate the parking device; adjust the position the backrest in the most upright position and empty the storage basket.

- 11-1 Press button D and then button E;
- 11-2 Press the handle forward until the stroller get folded.
- 11-3 Lock the stroller with the transport hook.







CARE AND MAINTENANCE GUIDELINES

- ❖ The brakes and wheels wear out faster than other parts. Replace them when necessary.
- ❖ Regularly oil the moving parts. Use silicone oil or silicone spray for oiling.
- ❖ Clean and oil all dirty metal and plastic parts regularly.
- ❖ Clean the fabrics, plastic parts and metal parts with damp cotton cloth or sponge and mild soap.
- ❖ Do not use aggressive detergents, solvents, bleach or spirits to clean your stroller.
- ❖ Always leave the stroller to fully dry after cleaning before you use it or store it. Mold could form if you keep your stroller moist.
- ❖ Always store your stroller indoors in clean and dry place. Do not expose to direct environment influence - sun, rain, moisture and high temperature intervals.
- ❖ Please, contact your authorized dealer for problems connected with the use or repair of this stroller.

Fabric Composition:

Outer: 100% Polyester

Filling: 100% Polyester



LKAP0200xxx

CHIPOLINO