

TCA-195N
TCA-196N
TCA-198N

2 IN 1 ESPRESSO COFFEE MACHINE

Instruction manual



TCA-195N



TCA-196N



Dear consumer, Please read these instructions carefully before use in order to avoid damage due to incorrect use and to better understand the functions of this product. Please pay particular attention to the safety guide.

If you pass the device on to a third party, these Operating Instructions must also be handed over.

Please keep them for future references.

IMPORTANT SAFEGUARDS

- ❑ Warning: risk of potential injury from misuse.
- ❑ The heating element surface is subject to residual heat after use
- ❑ Please read these instructions carefully before use.
- ❑ Keep present instructions for future references.
- ❑ Check that your mains voltage corresponds to that stated on the appliance.
- ❑ Only use the appliance for domestic purposes and household or similar applications such as:
 - staff kitchen areas, in shops, offices and other working environments;
 - By clients in hotels, motels and other residential type environments;
 - Environment type like : • Farm Houses • Bed and Breakfast.
- ❑ Only use the appliance in the way indicated in these instructions.
- ❑ Never use this unit near bathtub, shower, wash-hand basins or other containers with water.
- ❑ Never use this apparatus near water projections.
- ❑ Never use this apparatus with the wet hands.
- ❑ If, unfortunately the apparatus is wet, immediately withdraw the cord of the socket-outlet.
- ❑ Inform potential users of these instructions.
- ❑ Never leave the appliance unsupervised when in use.
- ❑ The appliance must be used only for its intended purpose. No responsibility can be taken for any possible damage caused by incorrect use or improper handling.
- ❑ Children and persons with disabilities are not always aware of the danger posed by the use of appliances.
- ❑ This appliance can be used by children aged from 8 years and above if they have been given supervision or instruction

concerning use of the appliance in a safe way and if they understand the hazards involved.

- ❑ This device is not a toy, do not leave small children or people with disabilities to play with.
- ❑ Cleaning and user maintenance shall not be made by children unless they are older than 8 and supervised.
- ❑ Keep the appliance and its cord out of reach of children aged less than 8 years of age.
- ❑ Appliances can be used by persons with reduced physical, sensory or mental capabilities or lack of experience and knowledge if they have been given supervision or instruction concerning use of the appliance in a safe way and understand the hazards involved. Children shall not play with the appliance.
- ❑ **WARNING:** The filling aperture must not be opened during use
- ❑ In order to ensure your children's safety, please keep all packaging (plastic bags, boxes, polystyrene etc.) out of their reach.
- ❑ **Caution ! Do not allow small children to play with the foil :**
THERE IS A DANGER OF SUFFOCATION !
- ❑ From time to time check the cord for damages. Never use the appliance if cord or appliance shows any signs of damage.
- ❑ Never immerse the appliance in water or any other liquid for any reason whatsoever.
- ❑ Never place it into the dishwasher.
- ❑ Never use the appliance near hot surfaces.
- ❑ Do not operate the appliance with a damaged cord or plug, or after the appliance has been damaged in any manner.
- ❑ If the supply cord or appliance is damaged, it must be replaced by the manufacturer, its service agent or similarly qualified person in order to avoid a hazard.
- ❑ Disconnect the power source cable before any operation of cleaning of maintenance and accessories assembly.

- ❑ Never use the appliance outside and always place it in a dry environment.
- ❑ Never use accessories, which are not recommended by the producer. They could constitute a danger to the user and risk to damage the appliance.
- ❑ Never use any other connector than the one provided.
- ❑ Never move the appliance by pulling the cord. Make sure the cord cannot get caught in any way.
- ❑ Never wind the cord around the appliance and do not bend it
- ❑ Ensure that the power cord does not come into contact with hot parts of this unit.
- ❑ Make sure the appliance has cooled down before cleaning and storing it.
- ❑ The temperature of accessible surfaces may be very high when the appliance is operating. Never touch these parts, of apparatus, to avoid burning itself.
- ❑ Make sure the appliance never comes into contact with flammable materials, such as curtains, cloth, etc...& the power cord and plug do not come in contact with water.
- ❑ Before cleaning, always unplug the appliance from the power supply and let it cool down.
- ❑ This appliance is not intended to be operated by means of an external timer or separate remote-control system.
- ❑ Always place the unit on a flat surface. Ensure, also, not to cover the device and not to put anything on it.
- ❑ Always remove the plug from the wall socket when the appliance is not in use.
- ❑ When using an extension lead always make sure that the entire cable is unwound from the reel. Use solely CE approved extension leads. Input power must be at least 16A, 250V, 3000W.
- ❑ Incorrect operation and improper use can damage the appliance and cause injury to the user.
- ❑ This device, designed for home use, complies with standards relating to this type of product.

- ❑ The appliance must be used and rested on a table or flat & stable surface.
- ❑ The item must not be left unattended when it is connected to main supply.
- ❑ The item is not to be used, if it has been dropped or if there are visible signs of damage or if it is leaking.
- ❑ Regarding the instructions for cleaning, thanks to refer to the below paragraph of the manual.
- ❑ This appliance is only intended for household use.

(*) **Competent qualified person** : after sales department of the producer or importer or any person who is qualified, approved and competent to perform this kind of repairs.

GENERAL INFORMATION

The symbol "OPEN BOOK" means a recommendation to read important things contained in the record.



The symbol "BIN" crossed out, abbreviation WEEE (Waste of Electrical and Electronic Equipment) means that at the end of life, it should not be discarded with household waste, but filed to the sorting of the locality. Waste recovery can help preserve our environment.



The symbol "CE" is the guarantee of compliance with harmonized European standards, voluntary, reflecting the essential requirements into technical specifications. These standards are not mandatory but are guarantees of compliance with essential requirements.



The symbol "GLASS / FORK" means that the device is compatible and can come into contact with foodstuffs.



The symbol ROHS (Restriction of use of some Hazardous Substances) on the Environmental Protection, certifies that for each of the five hazardous substances • Lead • Mercury • (hexavalent) chromium • products for protection against flames PBB and PBDE, the peak concentration is equal to or less than 0.1% of the weight of homogeneous material, and 0.01% for the 6th • cadmium.



The symbol "TRIMAN" indicates that the consumer is invited to dispose the product as part of a separate collection (eg recycling bin, waste, voluntary intake point).

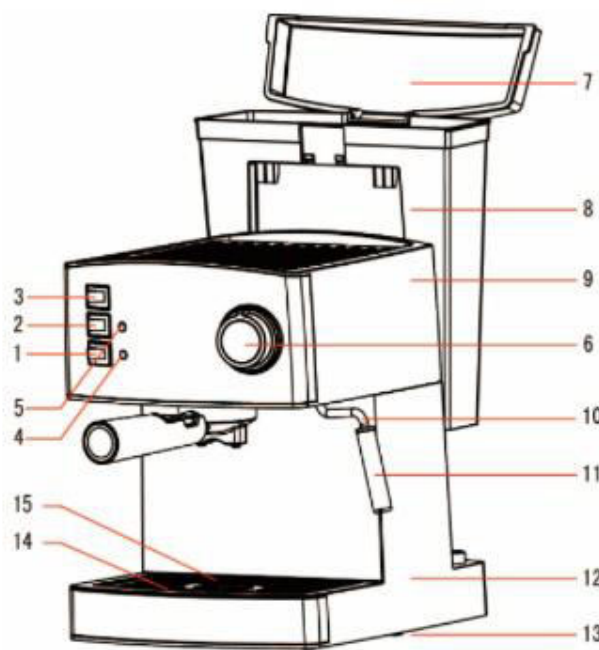


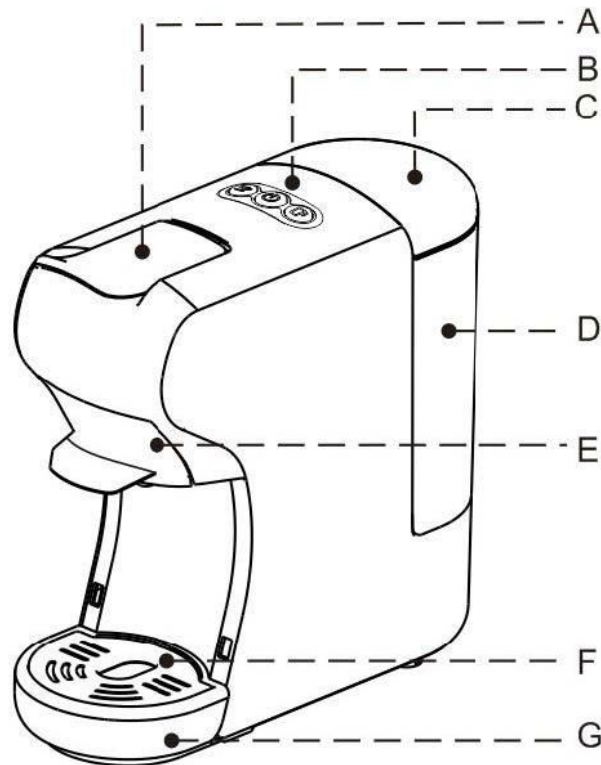
The symbol "CMIM marking" is the guarantee of compliance with the harmonized Moroccan Standards, optional, which translate the essential requirements into technical specifications. These standards are not mandatory but guarantee compliance with the essential requirements. For more information : <http://www.quefairedemesdechets.fr>



TO KNOW ITS UNIT

- | | |
|---------------------|--------------------------|
| A. Handle | E. Brewing basket |
| B. Buttons | F. Drip tray cover |
| C. Water tank cover | G. Drip tray (removable) |
| D. Water tank | |





FIRST USE

Before first use, remove the device and all accessories.

- Clean the apparatus according to the instructions in "Cleaning" paragraph.
- Place the machine on a suitable flat, stable surface.

- Unroll the power cord completely.
- Check that the tension in force in the country where you are corresponds to that indicated on the apparatus.
- Connect the apparatus in a correct socket-outlet, (and connected to the ground if the unit is Class I), to avoid any danger.
- Disconnect the power source cable before any operation of cleaning of maintenance and accessories assembly.
- Never modify the appliance in anyway.

To ensure the first cup of coffee with excellent taste, it is better to rinse the coffee holder with hot water as follows:

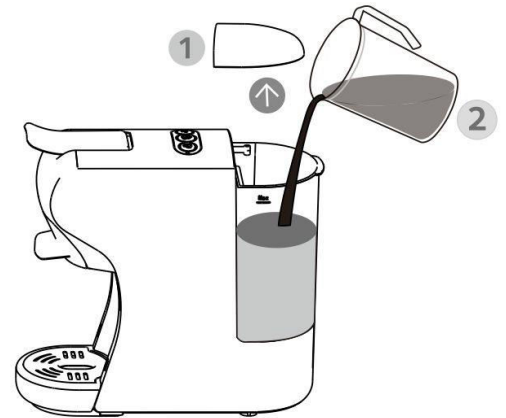
1. Pour half a tank of water into water tank, the water level should not exceed the "MAX" mark in the tank.

Note: Before using for the first time or after long pauses (e.g. holidays) the machine must be flushed out. This short procedure can flush out and cleans the internal piping thoroughly.

There are two ways to fill the water tank: directly into the machine, by using for example a jug, or by removing the water tank.

Filling without removing the tank

- raise the water tank cover
- Fill the tank with cold fresh water (the maximum temperature of the water is 35°C)
- the maximum capacity is 0.6 litre.
- low down the tank cover

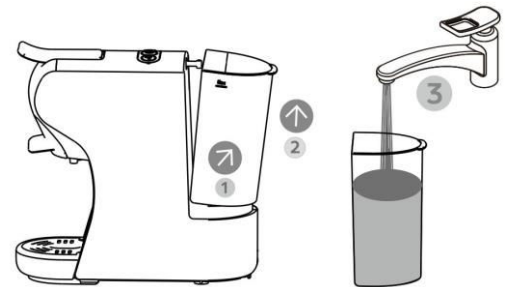


Filling by removing the water tank

- Hold the water grip at tilting angle as shown in direction to remove the water tank from the machine.

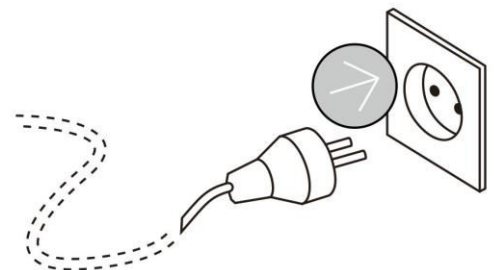
Fill the tank up to the "MAX" mark with cold fresh water (the maximum capacity is 0.6 litre).

- Slide the water tank slowly on water tank base, when the water tank outlet is inserted in the inlet receptacle, pushing firmly on the water grip as shown in direction 2 to lock the water tank .

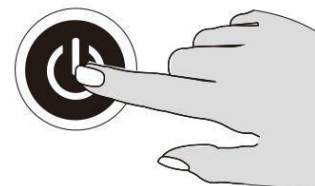


Flushing out the machine and internal piping

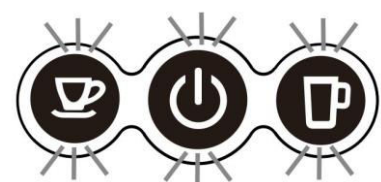
Plug in the appliance and turn it on.



Press the switch button

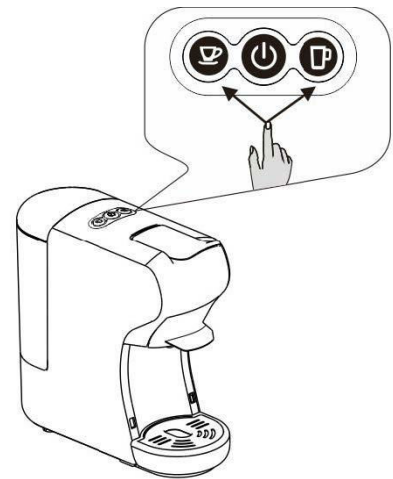


The lights at buttons become steady when the machine is heated up, heating up time is 45 seconds approximately.

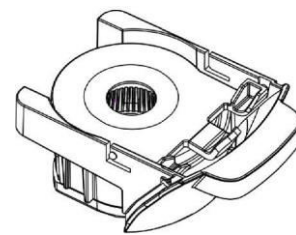


Press the small cup/tall cup button, wait for the appliance to complete the flush out.

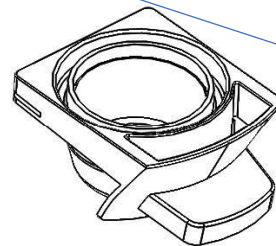
- Before pressing the button, make sure that:
 - the handle is closed without capsule inside.
 - the water tank is full.
 - the water tank is firmly in place, otherwise water may leak
 - a large bowl (250ml size or above) is placed under the dispenser.
- press the small cup/tall cup button to start flush out.
- Open the handle when the flush out process stopped automatically.



Tips: This machine has different adaptor compatible with different system, details please refer to below:



Brewing basket for Nespresso* capsules system



Brewing basket for Dolce-Gusto* capsules system

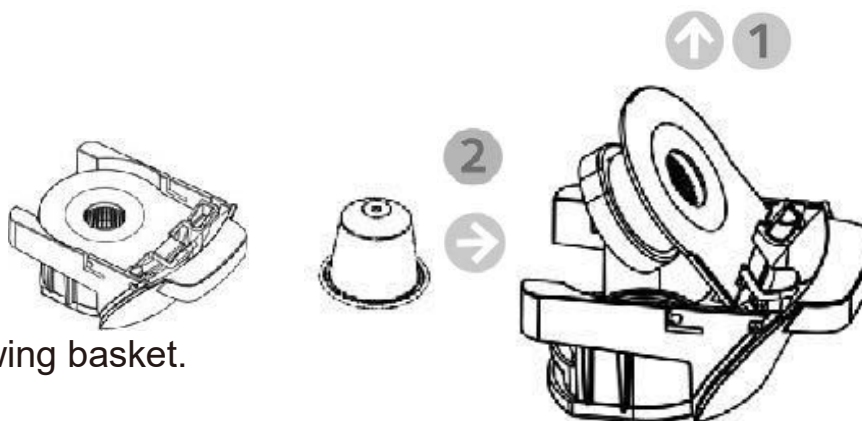
*** Third-party trademarks unrelated to SOTECH/TECHWOOD**

Brewing basket for Nespresso capsules system

- Open the handle
- Pull out the brewing basket for Nespresso* capsules, this is normal performed.



- Press the brewing basket cover lid
- Insert a capsule to the brewing basket.



- Push in the brewing basket with capsule.
- Close the handle. Normal perform.



Place a cup under the dispenser

- Press the desired coffee button only once
- The selected button will blink and the machine will start brewing then complete the brewing process, dispensing will stop automatically when reaching the default brewing time (+/-25s for small cup, +/-47s for tall cup), default setting can be programmed, please refer to "how to program brewing time" instruction. Raise the handle and pull out the brewing basket to inject used capsule into the container.

Tips: when press the button, maybe the desired button LED flash a few seconds first, then start brewing. The flash process is for heating.



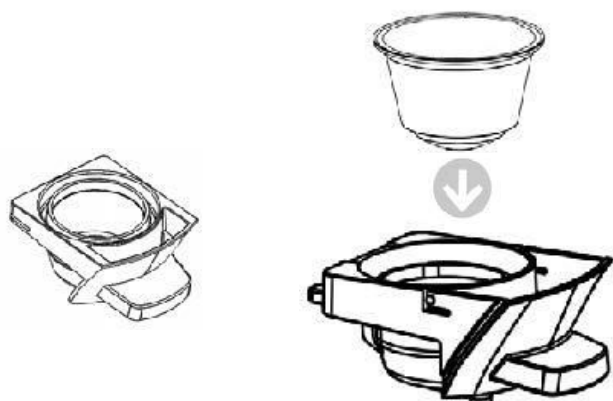
Brewing basket for Dolce-Gusto capsules system

- Open the handle
- Pull out the brewing basket for Dolce-Gusto* capsules, this is normal performed.



*** Third-party trademarks unrelated to SOTECH/TECHWOOD**

- Insert a capsule to the brewing basket.



Push in the brewing basket with capsule.
 - Close the handle. normal perform.



Place a cup under the dispenser
 - Press the desired coffee button only once
 - The selected button will blink and the machine will start brewing then complete the brewing process, dispensing will stop automatically when reaching the default brewing time (+/-25s for small cup, +/-47s for tall cup), default setting can be programmed, please refer to “how to program brewing time” instruction. Raise the handle and pull out the brewing basket to inject used capsule into the container.
 Tips: when press the button, maybe the desired button LED flash a few seconds first, then start brewing. The flash process is for heating.



>15 Minutes

Factory Default setting: Standby Mode: 15MINS
 It means the machine will be turn off after 15 mins, and all the indicator lights will be off. To press the Switch Button to activate the standby mode again if the machine is in Standby mode



Standby model setting:

Keep pressing the small cup button and tall cup button, insert the plug to the socket. Switch Button light will be on small cup button, Small button light off.

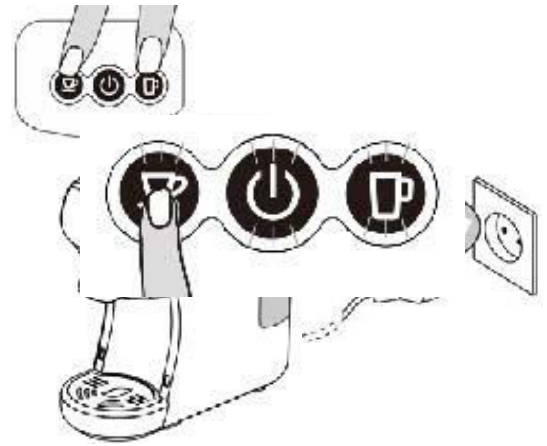
Standby mode cancelled:

Press small cup button, cup button light on, Standby mode activated.



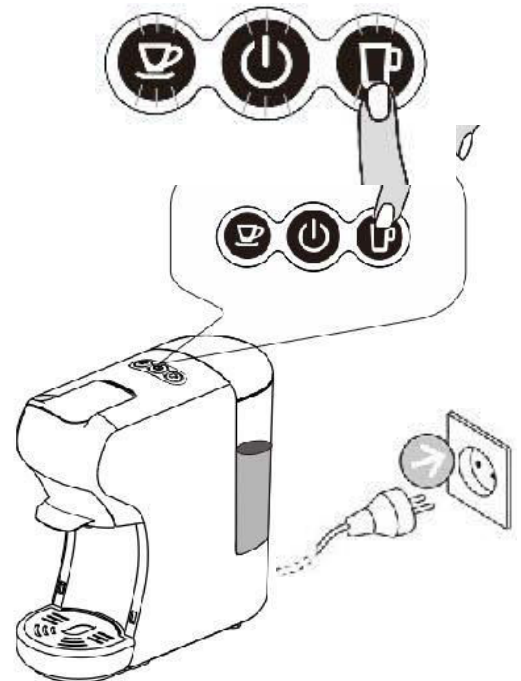
Press cup

Small



Factory default setting

Press the big cup button, insert the plug to the socket. The indicator light of buttons will flash twice. It means the machine come back to factory default setting



Coffee Volume Setting

Small Cup volume setting:

1. Put coffee cup under the coffee outlet
2. The machine is in normal working condition. Keep pressing the small cup button, then release the button till you get the coffee you want (Min:10s, Max:90s)

Tall Cup volume setting:

1. Put coffee cup under the coffee outlet
2. The machine is in normal working condition. Keep pressing the big cup button, then release the button till you get the coffee you want (Min:10s, Max:90s)

CLEANING AND MAINTENANCE

Before cleaning, Always switch off the appliance, disconnect the apparatus and let it cool.

Clean the outside of the apparatus with a sponge or slightly wet linen.

The parts (removable) in contact with food like plate, bowl, forks, Spatula etc. can be washed in hot water with sponge and soft detergent or put in the dishwasher.

Never plunge the apparatus in water or all other liquid!

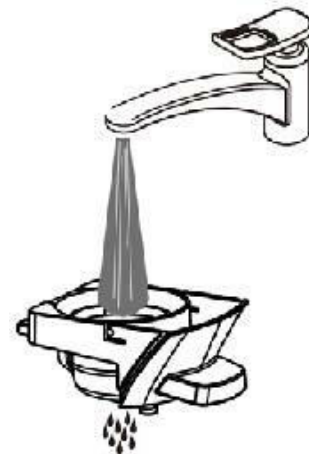
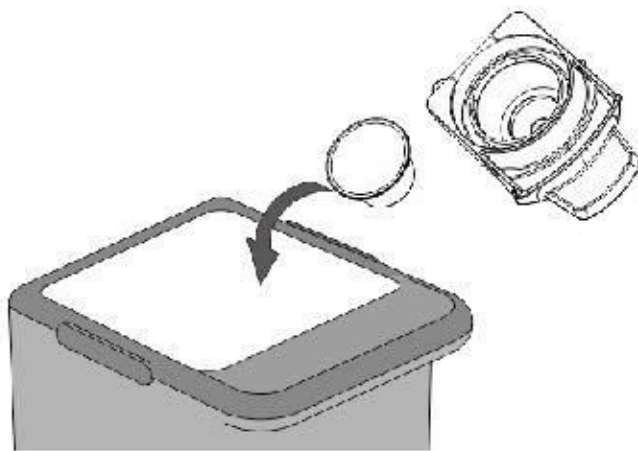
Do not use abrasive cleaners, gritting, or metal brush or another cutting object.

- Do not place any other parts of your coffee machine in the dishwasher.
- Remove the filter holder from the machine by turning it counter clockwise,
- AFTER EACH USE, empty the coffee grounds left inside the filter and clean it carefully.
- Dry all accessories.



Risk of fatal electrical

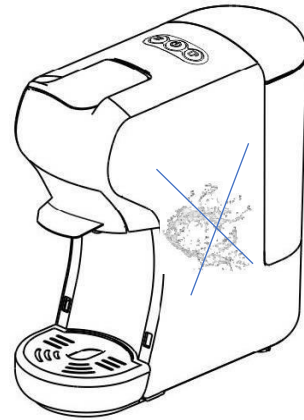
shock and fire. Never immerse the appliance or part of it in water. / Be sure to unplug the machine before cleaning. / Do not use any strong cleaning agent or solvent cleaner. / Do not use sharp objects, brushes or sharp abrasives. / Do not place in a dishwasher.



Dry with a fresh and clean towel, cloth or paper and reassemble all parts. Clean the coffee outlet and inside the machine regularly with a damp cloth.



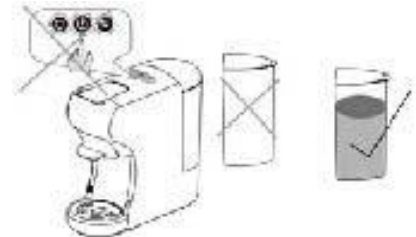
Prohibit to pull water to the machine



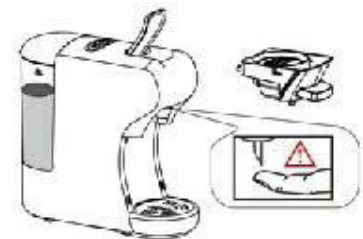
Prohibit to open the handle when brewing



Before brewing, to be sure there is not less 20ml water keep in the water tank.



There is sharp needle upper the capsule Adaptor. Prohibit to put the hand or Finger to any part near the needle after the adaptor is removed.



Adaptor is still very hot after Brewing, Be careful the HOT!



Decalcification / Maintenance

Drinking water varies according to region. The lime particles in hard drinking water are deposited as residues in the machine and can block the piping and cause damage. To prevent this, be sure to decalcify the machine at the very least after making 300 to 400 cups of coffee or, in any case if the output falls significantly or, after one or two months.

Decalcification must be done correctly to prevent damage. So it is essential to follow these instructions.

Important:

- Never clean the machine with vinegar. This causes damage and makes your coffee taste bad.
 - Damage caused by incorrect decalcification or failure to decalcify is not covered by the guarantee
 - Caution: beware of hot water!
1. Recommendations: purchase commercially available decalcifier (decalcifying liquid), diluted according to the manufacturer's instructions; pour the mixture in the water tank
 2. Make sure there is without capsule inside the machine.
 3. Place a large bowl under the dispensing head to collect the decalcification diluted and lime residues.
 4. Fill the water tank with water to maximum level mixed with decalcifying solution, make sure the solution is dissolved completely.
 5. Press the tall cup button to run decalcifying water as you brew coffee normally, repeat for several times to run out the entire tank water.
 6. Repeat the process to run another tank of water mixed with decalcifying solution.
 7. Repeat the process to Flush out the intern circuit with a tank of fresh water (without the decalcifying solution) to clean the internal circuit completely.

PROBLEM	CAUSE	SOLUTION
No coffee is brewed.	The water tank is empty.	Fill water in the water tank.
The coffee is not hot enough.	<ul style="list-style-type: none"> - The Cold cups/mugs. - Scale build-up in machine. - Cold machine. 	Preheat cup/mug. <ul style="list-style-type: none"> - Descale. - For cold machine, brewing a cup of water to warm up the circuit.
Water on table	<ul style="list-style-type: none"> - Water tank is leaking. - Drip tray is full of water. 	<ul style="list-style-type: none"> - Check if the valve on water tank is stuck. - Empty the drip tray.
Handle cannot close	<ul style="list-style-type: none"> - The brewing basket is not placed well. 	<ul style="list-style-type: none"> - Push the brewing basket into correct position.

STORAGE

- Ensure the unit is completely cool and dry.
- Do not wrap the cord around the appliance, as this will cause damage.
- Keep the appliance in a cool, dry place and out of reach from children.

GUARANTEE

Before being delivered, all our products are subjected to a rigorous control. This apparatus is guaranteed 24 months starting from the date of purchase by the consumer.

The documents in proof of guarantee are :

- The invoice and
- The filled and stamped warrantee plate (located on side or bottom of the gift box). Without these documents in proof, no free replacement, nor no free repair, can be carried out.

During the warranty period, we deal for free, the defects of the apparatus or the accessories, rising from a defect of materials or manufacture by repair or, replacement. The services within the framework of the guarantee do not involve any extension of the warranty period and does not give right to a new guarantee ! In the event of recourse to the guarantee, bring back the complete apparatus to your retailer, in its original packing, accompanied by the proofs of purchase.

The breakage of parts out of glass or plastic is, in all the cases, not warranted. Defects on the accessories or the wearing parts (for example: coals of engines, hooks, drive belts, remote control of replacement, teeth brushes of replacement, webs etc) as well as cleaning, maintenance or it replacement of wearing parts are not guaranteed and are thus to pay !

In the event of foreign intervention, the guarantee becomes null and void.

After flow of the warranty period, repairs can be carried out, against payment, by a specialized trade or a repair service.

RE-PRIMING THE PUMP

Before using for the first time or after long pauses.

(Example : Holiday), the machine may have difficulty to pump water.

This short procedure can help pump to self-priming by using the pipe to fill water into the circuit manually prior to turn on the machine for first refill.

Step 1 Insert the pipe into the water entrance

Step 2 Fill water into the pipe

Step 3 Insert the pusher in the pipe to inject the water from pipe into the machine, so that, the internal circuit is filled with water.

Notes : After above steps, the machine will be able to pump out water normally.

If necessary, repeat steps 2 & 3 several times.



SPECIFICATIONS

Power supply	220-240V~ 50/60Hz
Power	1450W
Pump Pressure	Max.19Bar
Water tank capacity	0,6L
Norm	Class I

Made in PRC

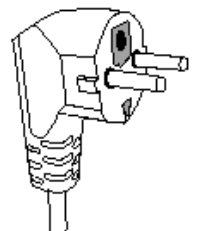
The characteristics can change without prior notice.

EARTHING

This unit is equipped with an electrical outlet with earth and must be earthed in an according plug.

Note : In the event of question concerning the earth or electric connection, please consult a qualified personnel.

In the event of short-circuit, earthing reduces the risk of electric shock while making possible the current to be evacuated by the wire of ground.



CAUTION: In order to minimize the risks of electric shock, In the event of breakdown, not to open the case but to call upon a qualified technician for repairs.

This device complies with EC directives, it was controlled according to all current European directives, applicable such as: electromagnetic compatibility (EMC) and low voltage (LVD).

This device has been designed and manufactured in compliance with the latest regulations and technical requirements for safety.

Imported by Sotech International
" LE PERIPOLE " N°A107
33, Avenue du Marechal de Lattre de Tassigny
94120 Fontenay sous bois - France

SERIE
PODEO 