

TESLA

# REFRIGERATOR FREEZER

RC3100HE

## User Manual

ENG

ALB

BiH/  
CG

BG

FIN

GR

HR

MK

RO

SLO

SRB

SWE



Product images are for illustrative purposes only and may differ from the actual product.

## SAFETY INFORMATION

---


In the interest of your safety and to ensure the correct use, before installing and first using the appliance, read this user manual carefully, including its hints and warnings. To avoid unnecessary mistakes and accidents, it is important to ensure that all people using the appliance are thoroughly familiar with its operation and safety features. Save these instructions and make sure that they remain with the appliance if it is moved or sold, so that everyone using it through its life will be properly informed on appliance use and safety.


For the safety of life and property keep to the precautions of these user instructions as the manufacturer is not responsible for damages caused by omission.

### Children and vulnerable people safety

- This appliance can be used by children aged of 8 years and above and persons with reduced physical, sensory or mental capabilities, or lack of experience and knowledge if they have supervision or have been given instructions concerning the use of the appliance in a safe way and understand the hazards involved.
- Children aged from 3 to 8 years are allowed to load and unload this appliance.
- Children should be supervised to ensure that they do not play with the appliance.
- Cleaning and user maintenance should not be done by children unless they are aged from 8 years and above and supervised.
- Keep all packaging well away from children. There is risk of suffocation.
- If you are discarding the appliance pull the plug out of the socket, cut the connection cable (as close to the appliance as you can) and remove the door to prevent playing children from suffering electric shock or closing themselves in.
- If this appliance features a magnetic door seal to replace an older appliance having a spring lock (latch) on the door or lid, be sure to make that spring lack unusable before you discard the old appliance. This will prevent it from becoming a death trap for a child.

### General safety

** WARNING!** Keep ventilation openings, in the appliance enclosure or in the built-in structure, clear of obstruction.

** WARNING!** Do not use mechanical devices or other means to accelerate the defrosting process, other than those recommended by the manufacturer.

**⚠ WARNING!** Do not damage the refrigerant circuit.

**⚠ WARNING!** Do not use other electrical appliances (such as ice cream makers) inside of refrigerating appliances, unless they are approved for this purpose by the manufacture.

**⚠ WARNING!** Do not touch the light bulb if it has been on for a long period of time because it could be very hot.<sup>1</sup>

**⚠ WARNING!** When positioning the appliance, ensure the supply cord is not trapped or damaged.

**⚠ WARNING!** Do not locate multiple portable socket-outlets or portable power suppliers at the rear of the appliance.

- Do not store explosive substances such as aerosol cans with a flammable propellant in this appliance.
- The refrigerant isobutene (R600a) is contained within the refrigerant circuit of the appliance, a natural gas with a high level of environmental compatibility, which is nevertheless flammable.
- During transportation and installation of the appliance, be certain that none of the components of the refrigerant circuit become damaged.
  - avoid open flames and sources of ignition
  - thoroughly ventilate the room in which the appliance is situated
- It is dangerous to alter the specifications or modify this product in any way. Any damage to the cord may cause a short circuit, fire and/or electric shock.
- This appliance is intended to be used in a household and similar applications such as
  - staff kitchen areas in shops, offices and other working environments;
  - farm houses and by clients in hotels, motels and other residential type environments;
  - bed and breakfast type environments;
  - catering and similar non-retail applications.

**⚠ WARNING!** Any electrical components (plug, power cord, compressor and etc.) must be replaced by a certified service agent or qualified service personnel.

**⚠ WARNING!** The light bulb supplied with this appliance is a "special use light bulb" usable only with the appliance supplied. This "special use lamp" is not usable for domestic lighting.<sup>1</sup>

- Power cord must not be lengthened.
- Make sure that the power plug is not squashed or damaged by the back of the appliance. A squashed or damaged power plug may overheat and cause a fire.

<sup>1</sup> If there is a light in the compartment.

- Make sure that you can come to the main plug of the appliance.
- Do not pull the main cable.
- If the power plug socket is loose, do not insert the power plug. There is a risk of electric shock or fire.
- You must not operate the appliance without the lamp.
- This appliance is heavy. Care should be taken when moving it.
- Do not remove nor touch items from the freezer compartment if your hands are damp/wet, as this could cause skin abrasions or frost/freezer burns.
- Avoid prolonged exposure of the appliance to direct sunlight.

## Daily use

- Do not put hot things on the plastic parts in the appliance.
- Do not place food products directly against the rear wall.
- Frozen food must not be re-frozen once it has been thawed out.<sup>2</sup>
- Store pre-packed frozen food in accordance with the frozen food manufacture, s instructions.<sup>2</sup>
- Appliance, s manufactures storage recommendations should be strictly adhered to. Refer to relevant instructions.
- Do not place carbonated or fizzy drinks in the freezer compartment as it creates pressure on the container, which may cause it to explode, resulting in damage to the appliance.<sup>2</sup>
- Ice lollies can cause frost burns if consumed straight from the appliance.<sup>2</sup>

To avoid contamination of food, please respect the following instructions

- Opening the door for long periods can cause a significant increase of the temperature in the compartments of the appliance.
- Clean regularly surfaces that can come in contact with food and accessible drainage systems.
- Clean water tanks if they have not been used for 48h; flush the water system connected to a water supply if water has not been drawn for 5 days.
- Store raw meat and fish in suitable containers in the refrigerator, so that it is not in contact with or drip onto other food.
- Two-star frozen-food compartments (if they are presented in the appliance) are suitable for storing pre-frozen food, storing or making ice-cream and making ice cubes.
- One-, two- and three -star compartments (if they are presented in the appliance) are not suitable for the freezing of fresh food.

<sup>2</sup> If there is a freezer compartment.

- If the appliance is left empty for long periods, switch off, defrost, clean, dry and leave the door open to prevent mould developing within the appliance.

## Care and cleaning

- Before maintenance, switch off the appliance and disconnect the main plug from the power socket.
- Do not clean the appliance with metal objects.
- Do not use sharp objects to remove frost from the appliance. Use a plastic scraper.<sup>2</sup>
- Regularly examine the drain in the refrigerator for defrosted water. If necessary, clean the drain. If the drain is blocked, water will collect at the bottom of the appliance.<sup>3</sup>

## Installation

- **IMPORTANT!** For electrical connection carefully follow the instructions given in specific paragraphs.
- Unpack the appliance and check if there are damages on it. Do not connect the appliance if it is damaged. Report possible damages immediately to the place you bought it. In that case retain packing.
- It is advisable to wait at least four hours before connecting the appliance to allow the oil to flow back in the compressor.
- Adequate air circulation should be provided around the appliance, lacking this leads to overheating. To achieve sufficient ventilation, follow the instructions relevant to installation.
- Wherever possible the spacers of the product should be against a wall to avoid touching or catching warm parts (compressor, condenser) to prevent possible burn.
- The appliance must not be located close to radiators or cookers.
- Make sure that the main plug is accessible after the installation of the appliance.

## Service

- Any electrical work required to do the servicing of the appliance should be carried out by a qualified electrician or competent person.
- This product must be serviced by an authorized Service Center, and only genuine spare parts must be used.


<sup>2</sup> If there is a freezer compartment.


<sup>3</sup> If there is a fresh-food storage compartment.

## Energy saving

- Do not put hot food in the appliance;
- Do not pack food close together as this prevents air circulating;
- Make sure food does not touch the back of the compartment(s);
- If electricity goes off, do not open the door(s);
- Do not open the door(s) frequently;
- Do not keep the door(s) open for a long time;
- Do not set the thermostat on exceeding cold temperatures;
- All accessories, such as drawers, shelves balconies, should be kept there for lower energy consumption.

## Environment Protection

 This appliance does not contain gasses which could damage the ozone layer, in either its refrigerant circuit or insulation materials. The appliance shall not be discarded together with the urban refuse and rubbish. The insulation foam contains flammable gases: the appliance shall be disposed according to the appliance regulations which can be obtained from your local authorities. Avoid damaging the cooling unit, especially the heat exchanger. The materials used on this appliance marked by the ♻ symbol are recyclable.

 The symbol on the product or on its packaging indicates that this product may not be treated as household waste. Instead it should be taken to the appropriate collection point for the recycling of electrical and electronic equipment. By ensuring this product is disposed of correctly, you will help prevent potential negative consequences to the environment and human health, which could otherwise be caused by inappropriate waste handling of this product. For more detailed information about recycling of this product, please contact your local council, your household waste disposal service or the shop where you purchased the product.

## Packaging materials

The materials with the symbol are recyclable.

Dispose the packaging in a suitable collection container to recycle it.

## Disposal of the appliance

1. Disconnect the mains plug from the mains socket.
2. Cut off the mains cable and discard it.



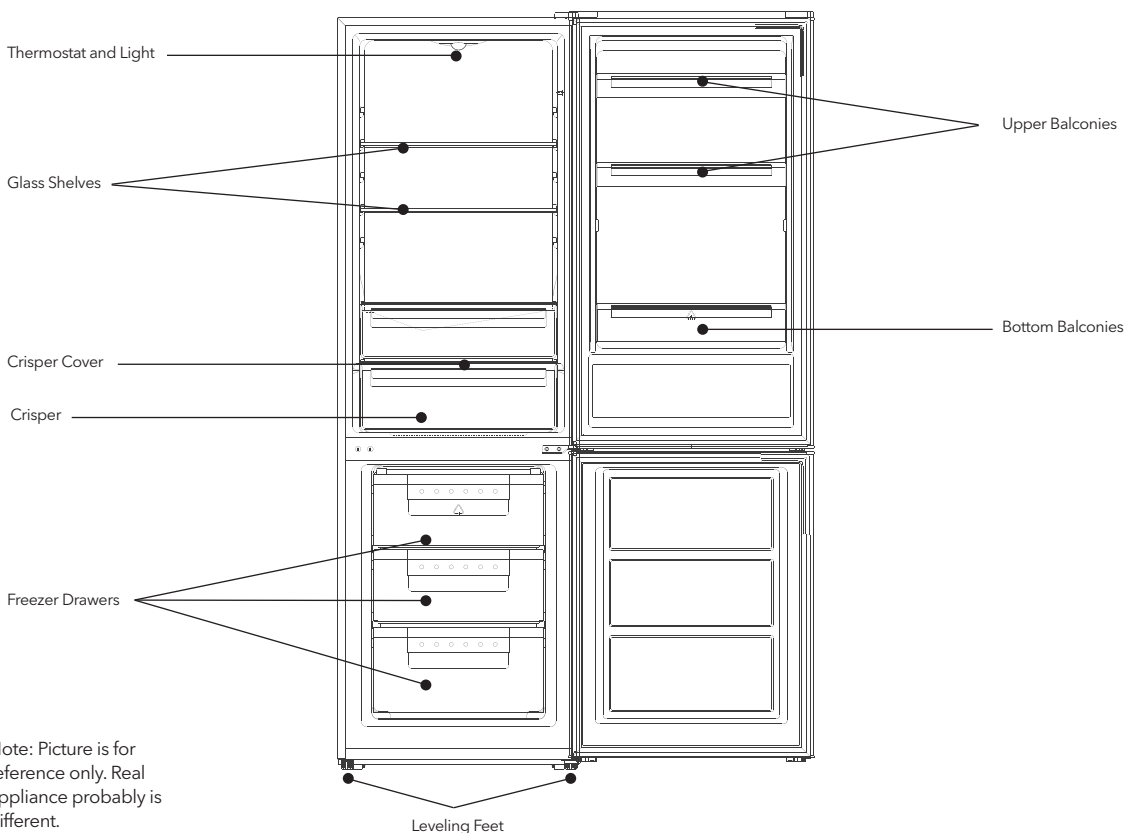
**WARNING!**

During using, service and disposal the appliance, please pay attention to symbol similar as left side, which is located on rear of appliance (rear panel or compressor) and with yellow or orange color.

It's risk of fire warning symbol. There are flammable materials in refrigerant pipes and compressor.

Please be far away fire source during using, service and disposal.

## OVERVIEW

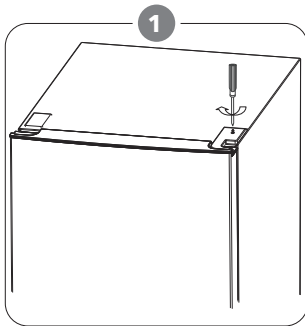


Note: Picture is for reference only. Real appliance probably is different.

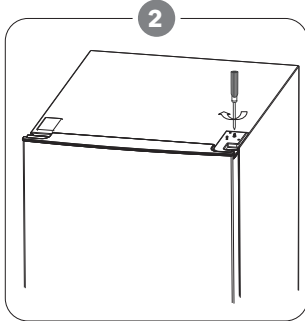
# REVERSE DOOR

Tools required: Philips screwdriver, Flat bladed screwdriver, Hexagonal spanner.

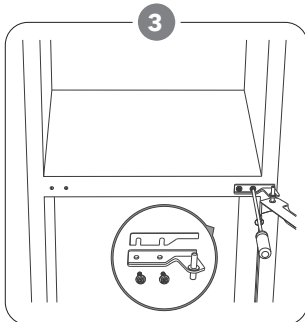
- Ensure the unit is unplugged and empty.
- To take the door off, it is necessary to tilt the unit backwards. You should rest the unit on something solid so that it will not slip during the door reversing process.
- All parts removed must be saved to do the reinstallation of the door.
- Do not lay the unit flat as this may damage the coolant system.
- It's better that 2 people handle the unit during assembly.



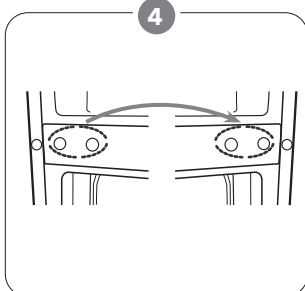
Unscrew and remove the hinge cover.



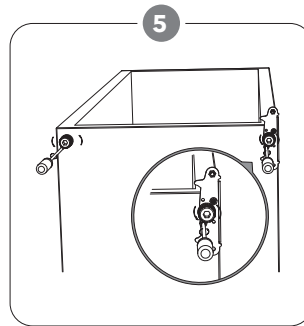
Unscrew and remove the hinge.



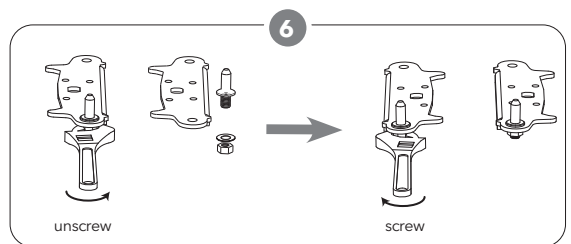
Unscrew middle hinge. Then lift lower door and place it on a soft pad to avoid scratching.



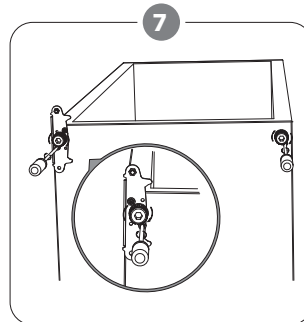
Move the hinge hole covers from left side to right side.



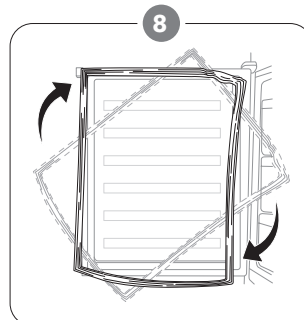
Unscrew bottom hinge. Then remove the adjustable feet from both sides.



Unscrew and remove the bottom hinge pin, turn the bracket over and replace it.

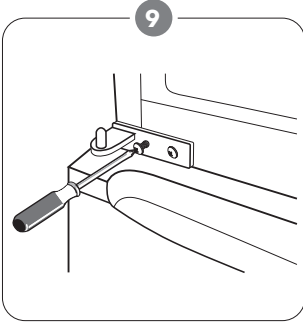


Refit the bracket fitting the bottom hinge pin. Replace both adjustable feet. Transfer the lower door to the property position.

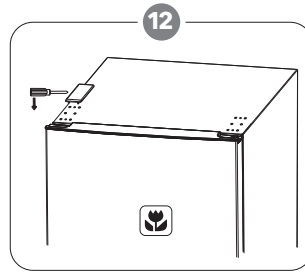


Detach the Fridge and the Freezer door gaskets and then attach them after rotating.

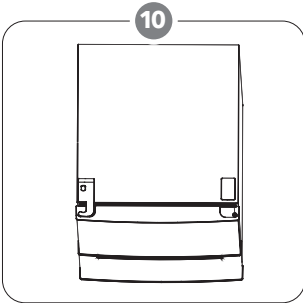




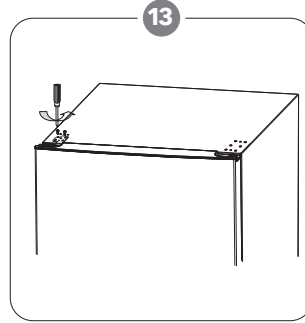
Reverse the middle hinge by 180°, then transfer it to the left side position. Make the middle hinge pin in the upper hole of the lower door, then tighten the bolts.



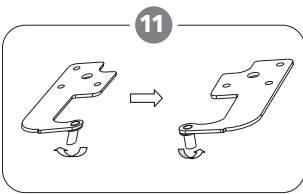
Prise the hinge hole cover.



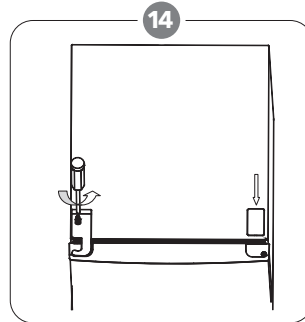
Place the upper door back on. Ensure the door is aligned horizontally and vertically so that the seals are closed on all sides before finally tightening the top hinge. Then insert the hinge and screw it to the front of the unit.



Fix the hinge on the left.



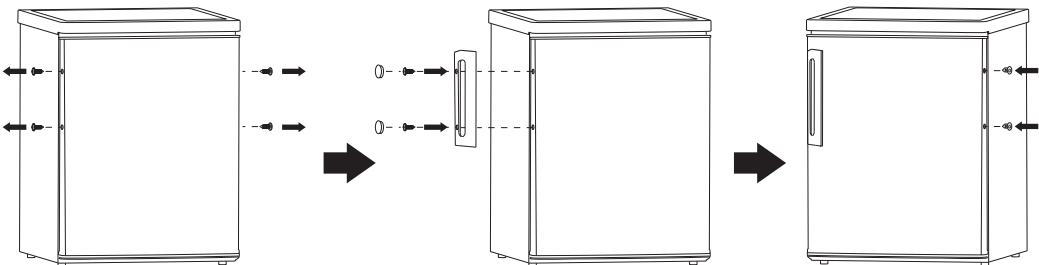
Unscrew the hinge pin and reverse the hinge, then reinstall the hinge pin.



Fix the hinge cover on the left and the hinge hole cover on the right.

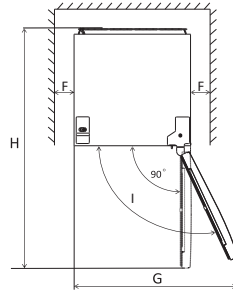
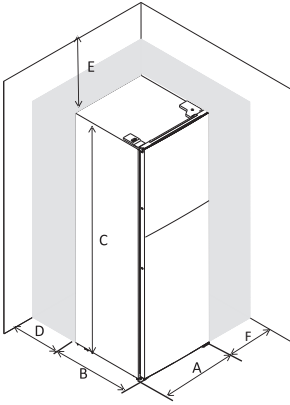
## INSTALLATION

Install door external handle (if external handle is present)



## Space Requirement

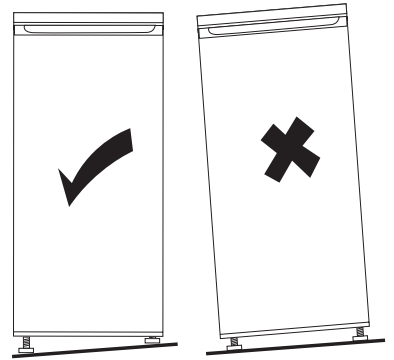
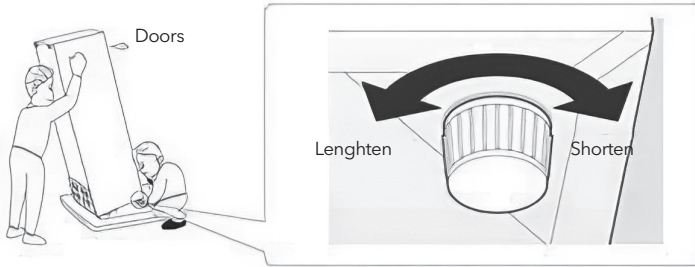
- Keep enough space of door open.
- Keep at least 50mm gap at two sides and back.



A	600
B	605
C	1858
D	min=50
E	min=50
F	min=50
G	1200
H	1205
I	135°

## Levelling the unit

To do this adjust the two levelling feet at front of the unit.  
If the unit is not level, the doors and magnetic seal alignments will not be covered properly.



## Positioning

Install this appliance at a location where the ambient temperature corresponds to the climate class indicated on the rating plate of the appliance:

For refrigerating appliances with climate class:

- extended temperate: this refrigerating appliance is intended to be used at ambient temperatures ranging from 10 °C to 32 °C (SN);
- temperate: this refrigerating appliance is intended to be used at ambient temperatures ranging from 16 °C to 32 °C (N);
- subtropical: this refrigerating appliance is intended to be used at ambient temperatures ranging from 16 °C to 38 °C (ST);
- tropical: this refrigerating appliance is intended to be used at ambient temperatures ranging from 16 °C to 43 °C (T);

## Location

The appliance should be installed well away from sources of heat such as radiators, boilers, direct sunlight etc. Ensure that air can circulate freely around the back of the cabinet to ensure best performance. If the appliance is positioned below an overhanging wall unit, the minimum distance between the top of the cabinet and the wall unit must be at least 50 mm. Ideally, however, the appliance should not be positioned below overhanging wall units. Accurate

levelling is ensured by one or more adjustable feet at the base of the cabinet.

This refrigerating appliance is not intended to be used as a built-in appliance.



It must be possible to disconnect the appliance from the mains power supply; the plug must therefore be easily accessible after installation.

## Electrical connection

Before plugging in, ensure that the voltage and frequency shown on the rating plate correspond to your domestic power supply. The appliance must be grounded. The power supply cable plug is provided with a contact for this purpose. If the domestic power supply socket is not grounded, connect the appliance to a separate ground in compliance with current regulations, consulting a qualified electrician.

The manufacturer declines all responsibility if the above safety precautions are not observed. This appliance complies with the E.E.C. Directives.

# DAILY USE

## First use

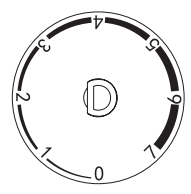
### Cleaning the interior

Before using the appliance for the first time, wash the interior and all internal accessories with lukewarm water and some neutral soap so as to remove the typical smell of a brand new product, then dry thoroughly.

**IMPORTANT!** Do not use detergents or abrasive powders, as these will damage the finish.

## Temperature Setting

- Plug in your appliance. The internal temperature is controlled by a thermostat. There are 8 setting levels 1 is warmest setting, 7 is coldest setting and 0 is off.
- The appliance may not operate at the correct temperature if it is in a particularly hot environment or if you open the door often.



## Daily use

Position different food in different compartments according to be below table

Refrigerator compartments	Type of food
Door or balconies of fridge compartment	<ul style="list-style-type: none"> <li>• Foods with natural preservatives, such as jams, juices, drinks, condiments.</li> <li>• Do not store perishable foods.</li> </ul>
Crisper drawer (salad drawer)	<ul style="list-style-type: none"> <li>• Fruits, herbs and vegetables should be placed separately in the crisper bin.</li> <li>• Do not store bananas, onions, potatoes, garlic in the refrigerator.</li> </ul>
Fridge shelf - middle	<ul style="list-style-type: none"> <li>• Dairy products, eggs</li> </ul>
Fridge shelf - top	<ul style="list-style-type: none"> <li>• Foods that do not need cooking, such as ready-to-eat foods, deli meats, leftovers.</li> </ul>
Freezer drawer(s)/shelf	<ul style="list-style-type: none"> <li>• Foods for long-term storage.</li> <li>• Bottom drawer/shelf for raw meat, poultry, fish.</li> <li>• Middle drawer/shelf for frozen vegetables, chips</li> <li>• Top drawer/shelf for ice cream, frozen fruit, frozen baked goods.</li> </ul>

## Temperature setting recommendation

Environment Temperature	Freezer compartment	Fridge compartment
Summer	/	<p>Set on 2~4</p>
Normal	/	<p>Set on 3</p>
Winter	/	<p>Set on 4~6</p>

## Impact on Food Storage

- Under Recommended setting, the best storage time of fridge is no more than 3 days.
- Under Recommended setting, the best storage time of freezer is no more than 1 month.
- The best storage time may reduce under other settings.

## Freezing fresh food

- The freezer compartment is suitable for freezing fresh food and storing frozen and deep-frozen food for a long time.
- Place the fresh food to be frozen in the freezer compartment.
- The maximum amount of food that can be frozen in 24 hours is specified on the rating plate.
- The freezing process lasts 24 hours: during this period do not add other food to be frozen.

## Storing frozen food

When first starting-up or after a period out of use, before putting food in the compartment let the appliance run at least 2 hours on a higher setting.

**IMPORTANT!** In the event of accidental defrosting, for example the power has been off for longer than the value shown in the technical characteristics chart under "rising time", the defrosted food must be consumed quickly or cooked immediately and then re-frozen (after cooked).

## Thawing

- Deep-frozen or frozen food, prior to being used, can be thawed in the fridge compartment or at room temperature, depending on the time available for this operation.
- Small pieces may even be cooked still frozen, directly from the freezer. In this case, cooking will take longer.

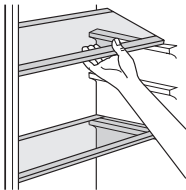
## Ice-cube

This appliance may be equipped with one or more ice-cube trays to produce ice.

## Accessories

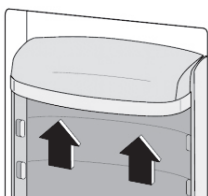
### Movable shelves

The walls of the refrigerator are equipped with a series of runners so that the shelves can be positioned as desired.



## Positioning the door balconies

To permit storage of food packages of various sizes, the door balconies can be placed at different heights. To make these adjustments proceed as follows: gradually pull the balcony in the direction of the arrows until it comes free, then reposition as required.



## Helpful hints and tips

To help you make the most of the freezing process, here are some important hints:

- the maximum quantity of food which can be frozen in 24 hrs. is shown on the rating plate;
- the freezing process takes 24 hours. No further food to be frozen should be added during this period;
- only freeze top quality, fresh and thoroughly cleaned, foodstuffs;
- prepare food in small portions to enable it to be rapidly and completely frozen and to make it possible subsequently to thaw only the quantity required;
- wrap up the food in aluminum foil or polythene and make sure that the packages are airtight;
- do not allow fresh, unfrozen food to touch food which is already frozen, thus avoiding a rise in temperature of the latter;
- lean foods store better and longer than fatty ones; salt reduces the storage life of food;
- water ices, if consumed immediately after removal from the freezer compartment, can possibly cause the skin to be freeze burnt;
- removal from the freezer compartment, can possibly cause the skin to be freeze burnt; it is advisable to show the freezing in date on each individual pack to enable you to keep tab of the storage time.

## Hints for storage of frozen food

To obtain the best performance from this appliance, you should:

- make sure that the commercially frozen foodstuffs were adequately stored by the retailer;
- be sure that frozen foodstuffs are transferred from the food store to the freezer in the shortest possible time;
- do not open the door frequently or leave it open longer than absolutely necessary.
- once defrosted, food deteriorates rapidly and cannot be re-frozen;
- do not exceed the storage period indicated by the food manufacture.

## Hints for fresh food refrigeration

To obtain the best performance:

- Do not store warm food or evaporating liquids in the refrigerator
- Do cover or wrap the food, particularly if it has a strong flavor
- Make (all types): wrap in polythene bags and place on the glass shelves above the vegetable drawer.
- For safety, store in this way only one or two days at the most.
- Cooked foods, cold dishes, etc...: these should be covered and may be placed on any shelf.
- Fruit and vegetables: these should be thoroughly cleaned and placed in the special drawer(s) provided.
- Butter and cheese: these should be placed in special airtight containers or wrapped in aluminum foil or polythene bags to exclude as much air as possible.
- Milk bottle: these should have a cap and should be stored in the balconies on the door.
- Bananas, potatoes, onions and garlic, if not packed, must not be kept in the fridge.

## Cleaning

For hygienic reasons the appliance interior, including interior accessories, should be cleaned regularly.

### ! CAUTION!

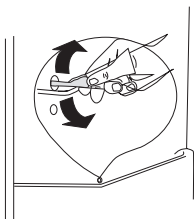
The appliance may not be connected to the mains during cleaning. Danger of electrical shock! Before cleaning switch the appliance off and remove the plug from the mains, or switch off or turn out the circuit breaker or fuse. Never clean the appliance with a steam cleaner. Moisture could accumulate in electrical components,

danger of electrical shock! Hot vapors can lead to the damage of plastic parts. The appliance must be dry before it is placed back into service.

**IMPORTANT!** Ethereal oils and organic solvents can attack plastic parts, e.g. lemon juice or the juice from orange peel, butyric acid, cleanser that contain acetic acid.

## Clean drain hole

To avoid defrost water overflowing into the fridge, periodically clean the drain hole at back of fridge compartment. Use a cleaner to clean the hole as showed in the picture.



- Do not allow such substances to come into contact the appliance parts.
- Do not use any abrasive cleaners
- Remove the food from the freezer. Store them in a cool place, well covered.
- Switch the appliance off and remove the plug from the socket, or switch off the circuit breaker or fuse.
- Clean the appliance and the interior accessories with a cloth and lukewarm water. After cleaning wipe with fresh water and rub dry.
- After everything is dry place appliance back into service.

## Defrosting of the freezer

The freezer compartment, however, will become progressively covered with frost. This should be removed. Never use sharp metal tools to scrape off frost from the evaporator as you could damage it. However, when the ice becomes very thick on the inner liner, complete defrosting should be carried out as follows:

- pull out the plug from the socket;
- remove all stored food, wrap it in several layers of newspaper and put it in a cool place;
- keep the door open, and placing a basin underneath of the appliance to collect the defrost water;
- when defrosting is completed, dry the interior thoroughly
- replace the plug in the power socket to run the appliance again.

## Replace the lamp

**CAUTION!**

The product is equipped with LED light, please contact after sales service in case of replacement.



# TROUBLESHOOTING

## ! CAUTION!

Before troubleshooting, disconnect the power supply. Only a qualified electrician or competent person must do the troubleshooting that is not in this manual.

**IMPORTANT!** There are some sounds during normal use (compressor, refrigerant circulation).

Problem	Possible cause	Solution
Appliance does not work	Temperature regulation knob is set at number "0".	Set the knob at other number to switch on the appliance.
	Power plug is not plugged in or is loose	Insert power plug.
	Fuse has blown or is defective	Check fuse, replace if necessary.
	Socket is defective	Socket malfunctions are to be corrected by an electrician.
The food is too warm.	Temperature is not properly adjusted.	Please look in the initial Temperature Setting section.
	Door was open for an extended period.	Open the door only as long as necessary.
	A large quantity of warm food was placed in the appliance within the last 24 hours.	Turn the temperature regulation to a colder setting temporarily.
	The appliance is near a heat source.	Please look in the installation location section.
Appliance cools too much	Temperature is set too cold.	Turn the temperature regulation knob to a warmer setting temporarily.
Unusual noises	Appliance is not level.	Re-adjust the feet.
	The appliance is touching the wall or other objects.	Move the appliance slightly.
	A component, e.g. a pipe, on the rear of the appliance is touching another part of the appliance or the wall.	If necessary, carefully bend the component out of the way.
Water on the floor	Water drain hole is blocked.	See the Cleaning section.
Side panel is hot	Condenser is inside the panel.	It's normal.

If the malfunction shows again, contact the Service Center.


## INFORMACION PËR SIGURINË

Në interes të sigurisë suaj dhe për të siguruar përdorimin e duhur, përpara se ta instaloni dhe ta përdorni për herë të parë pajisjen, lexoni me kujdes këtë manual përdorimi, duke përfshirë sugjerimet dhe paralajmërimet e tij. Për të shmangur gabimet dhe aksidentet e panevojshme, është e rëndësishme të siguroheni që të gjithë njerëzit që përdorin pajisjen të jenë plotësisht të njohur me funksionimin e saj dhe veçoritë e sigurisë. Ruani këto udhëzime dhe sigurohuni që ato të qëndrojnë me pajisjen nëse ajo zhvendoset ose shitet, në mënyrë që të gjithë ata që e përdorin gjatë gjithë jetës së saj të jenë të informuar siç duhet për përdorimin dhe sigurinë e pajisjes. Për sigurinë e jetës dhe pronës, mbani masat paraprake të këtyre udhëzimeve të përdoruesit pasi prodhuesi nuk mban përgjegjësi për dëmet e shkaktuara nga mosveprimi.

### Siguria e fëmijëve dhe njerëzve në nevojë

- Kjo pajisje mund të përdoret nga fëmijë të moshës 8 vjeç e lart dhe persona me aftësi të kufizuara fizike, shqisore ose mendore, ose me mungesë përvoje dhe njohurish nëse kanë mbikëqyrje ose kanë qenë jepen udhëzime në lidhje me përdorimin e pajisjes në mënyrë të sigurt dhe të kuptojnë rreziqet e përfshira.
- Fëmijët nga 3 deri në 8 vjeç lejohen të ngarkojnë dhe shkarkojnë këtë pajisje.
- Fëmijët duhet të mbikëqyren për t'u siguruar që të mos luajnë me pajisjen.
- Pastrimi dhe mirëmbajtja e përdoruesit nuk duhet të bëhen nga fëmijët përveç nëse janë të moshës 8 vjeç e lart dhe të mbikëqyren.
- Mbajeni të gjithë paketimin larg fëmijëve. Ekziston rreziku i mbytjes.
- Nëse po e hidhni pajisjen, nxirreni spinën nga priza, pritni kabllon e lidhjes (sa më afër pajisjes që të mundeni) dhe hiqni derën për të parandaluar që fëmijët që luajnë të mos pësojnë goditje elektrike ose të mbyllen brenda.
- Nëse kjo pajisje ka një vulë magnetike të derës për të zëvendësuar një pajisje të vjetër që ka një bllokues pranvere (shul) në derë ose kapak, sigurohuni që ta bëni atë mungesë suste të papërdorshme përpara se ta hidhni pajisjen e vjetër. Kjo do të parandalojë që ajo të bëhet një kurth vdekjeje për një fëmijë.

### Siguria e përgjithshme

** PARALAJMËRIM!** Mbani hapjet e ventilimit, në ambientet e pajisjes ose në strukturën e integruar, pa pengesa..

** PARALAJMËRIM!** Mos përdorni pajisje mekanike ose mjete të tjera për

të përshpejtuar procesin e shkrirjes, përveç atyre të rekomanduara nga prodhuesi.

**⚠️ PARALAJMËRIM!** Mos e dëmtoni qarkun e ftohësit.

**⚠️ PARALAJMËRIM!** Mos përdorni pajisje të tjera elektrike (të tilla si prodhuesit e akullores) brenda pajisjeve frigoriferike, përveç nëse ato janë miratuar për këtë qëllim nga prodhuesi.

**⚠️ PARALAJMËRIM!** Mos e prekni llambën nëse është ndezur për një periudhë të gjatë kohore sepse mund të jetë shumë e nxehtë.<sup>1</sup>

**⚠️ PARALAJMËRIM!** Kur vendosni pajisjen, sigurohuni që kordoni i furnizimit të mos jetë i bllokuar ose i dëmtuar.

**⚠️ PARALAJMËRIM!** Mos vendosni priza të shumta portative ose furnizues portativë të energjisë në pjesën e pasme të pajisjes.

- Mos ruani substanca shpërthyes si kanaçe aerosol me një lëndë shtytëse të ndezshme në këtë pajisje.
- Izobuteni i ftohësit (R600a) gjendet brenda qarkut të ftohësit të pajisjes, një gaz natyror me një nivel të lartë përputhshmërie mjedisore, i cili megjithatë është i ndezshëm.
- Gjatë transportit dhe instalimit të pajisjes, sigurohuni që asnjë nga komponentët e qarkut të ftohësit të mos dëmtohet.
- Shmangni flakët e hapura dhe burimet e ndezjes ventiloni plotësisht dhomën në të cilën ndodhet pajisja
- Është i rrezikshëm ndryshimi i specifikimeve ose modifikimi i këtij produkti në çfarëdo mënyre. Çdo dëmtim i kordonit mund të shkaktojë një qark të shkurtër, zjarr dhe/ose goditje elektrike.
- Kjo pajisje është menduar për t'u përdorur në shtëpi dhe aplikacione të ngjashme si p.sh
  - ambientet e kuzhinës me personel në dyqane, zyra dhe ambiente të tjera pune;
  - shtëpi fermash dhe nga klientët në hotele, motele dhe ambiente të tjera të tipit rezidencial;
  - ambiente të tipit fjetje dhe mëngjes;
  - katering dhe aplikacione të ngjashme jo-shitëse.

**⚠️ PARALAJMËRIM!** Çdo komponent elektrik (priza, kordoni i rrymës, kompresori etj.) duhet të zëvendësohet nga një agjent shërbimi i certifikuar ose personel i kualifikuar shërbimi.

**⚠️ PARALAJMËRIM!** Llamba e dhënë me këtë pajisje është një "llambë me përdorim të veçantë" që mund të përdoret vetëm me pajisjen e dhënë. Kjo "llambë e përdorimit të veçantë" nuk është e përdorshme për ndriçimin e brendshëm<sup>1</sup>

<sup>1</sup> Nëse ka një dritë në ndarje..



- Kordoni i rrymës nuk duhet të zgjatet.
- Sigurohuni që spina të mos shtypet ose dëmtohet nga pjesa e pasme e pajisjes. Një prizë e shtypur ose e dëmtuar mund të mbinxehet dhe të shkaktojë zjarr.
- Sigurohuni që të mund të vini te spina kryesore e pajisjes.
- Mos e tërhiqni kabllon kryesore.
- Nëse priza e prizës është e lirshme, mos e futni spinën. Ekziston rreziku i goditjes elektrike ose zjarrit.
- Nuk duhet ta përdorni pajisjen pa llambën.
- Kjo pajisje është e rëndë. Duhet pasur kujdes gjatë lëvizjes së tij.
- Mos hiqni dhe mos i prekni sendet nga ndarja e ngrirësit nëse duart tuaja janë të lagura/të lagura, pasi kjo mund të shkaktojë gërvishtje të lëkurës ose djegie nga ngrica/ngrirësi.
- Shmangni ekspozimin e zgjatur të pajisjes në rrezet e diellit direkte.

## Përdorimi i përditshëm

- Mos vendosni gjëra të nxehta mbi pjesët plastike në pajisje.
- Mos vendosni produkte ushqimore drejtpërsëdrejti në murin e pasmë.
- Ushqimi i ngrirë nuk duhet të ngrihet sërish pasi të jetë shkrirë.
- Ruani ushqimet e ngrira të paketuara paraprakisht në përputhje me udhëzimet e prodhimit të ushqimit të ngrirë.<sup>2</sup>
- Rekomandimet e magazinimit të prodhimit të pajisjes duhet të respektohen rreptësisht. Referojuni udhëzimeve përkatëse.
- Mos vendosni pije të gazuara me gaz në ndarjen e ngrirësit pasi krijon presion mbi enë, gjë që mund të shkaktojë shpërthimin e saj, duke rezultuar në dëmtimin e pajisjes.
- Akulloret mund të shkaktojnë djegie nga ngrica nëse konsumohen drejtpërdrejt nga pajisja.<sup>2</sup>

Për të shmangur kontaminimin e ushqimit, ju lutemi respektoni sa vijon udhëzimet

- Hapja e derës për periudha të gjata mund të shkaktojë një rritje të ndjeshme të temperaturës në ndarjet e pajisjes.
- Pastroni rregullisht sipërfaqet që mund të vijnë në kontakt me ushqimin dhe sistemet e aksesueshme të kullimit.
- Depozitat e ujit të pastër nëse nuk janë përdorur për 48 orë; shpëlajeni sistemin e ujit të lidhur me ujësjellësin nëse uji nuk është nxjerrë për 5 ditë.
- Ruani mishin dhe peshkun e papërpunuar në enë të përshtatshme në frigorifer, në mënyrë që të mos bien në kontakt me ushqime të tjera ose të pikojnë mbi të.

<sup>2</sup> Nëse ka një ndarje ngrirëse.

- Ndarjet e ushqimeve të ngrira me dy yje (nëse janë të paraqitura në pajisje) janë të përshtatshme për ruajtjen e ushqimeve të ngrira paraprakisht, ruajtjen ose përgatitjen e akullores dhe prodhimin e kubeve të akullit.
- Ndarjet me një, dy dhe tre yje (nëse janë të paraqitura në pajisje) nuk janë të përshtatshme për ngrirjen e ushqimeve të freskëta.
- Nëse pajisja lihet bosh për periudha të gjata, fikeni, shkrini, pastroni, thajeni dhe lëreni derën hapur për të parandaluar zhvillimin e montimit brenda pajisjes.

## Kujdesi dhe pastrami

- Përpara mirëmbajtjes, fikeni pajisjen dhe shkëputni spinën kryesore nga priza.
- Mos e pastroni pajisjen me sende metalike.
- Mos përdorni objekte të mprehta për të hequr ngricat nga pajisja. Përdorni një kruese plastike.<sup>2</sup>
- Kontrolloni rregullisht kullimin në frigorifer për ujë të shkrirë. Nëse është e nevojshme, pastroni kullimin. Nëse kanali i shkarkimit është i bllokuar, uji do të mblidhet në fund të pajisjes.<sup>3</sup>

## Instalimi

- **E RËNDËSISHME!** Për lidhjen elektrike ndiqni me kujdes udhëzimet e dhëna në paragrafë të veçantë.
- Shkakojeni pajisjen dhe kontrolloni nëse ka dëmtime në të. Mos e lidhni pajisjen nëse është e dëmtuar. Raportoni menjëherë dëmet e mundshme në vendin ku e keni blerë. Në këtë rast ruajeni paketimin.
- Këshillohet të prisni të paktën katër orë përpara se të lidhni pajisjen për të lejuar që vaji të rrjedhë përsëri në kompresor.
- Përreth pajisjes duhet të sigurohet qarkullim adekuat i ajrit, mungesa e tij çon në mbinxehje. Për të arritur ventilim të mjaftueshëm, ndiqni udhëzimet që lidhen me instalimin.
- Ku është e mundur, ndarësit e produktit duhet të jenë kundër murit për të shmangur prekjen ose kapjen e pjesëve të ngrohta (kompresor, kondensator) për të parandaluar djegien e mundshme.
- Pajisja nuk duhet të vendoset afër radiatorëve ose sobave.
- Sigurohuni që spina kryesore të jetë e aksesueshme pas instalimit të pajisjes.

## Shërbimi

- Çdo punë elektrike që kërkohet për të kryer servisimin e pajisjes duhet të kryhet nga një elektrikist i kualifikuar ose person kompetent.

<sup>2</sup> Nëse ka një ndarje ngrirëse.



<sup>3</sup> Nëse ka një ndarje për ruajtjen e ushqimeve të freskëta.



- Ky produkt duhet të servisohet nga një qendër shërbimi e autorizuar dhe duhet të përdoren vetëm pjesë këmbimi origjinale.

## Kursim energjie

- Mos vendosni ushqim të nxehtë në pajisje;
- Mos e paktoni ushqimin afër njëra-tjetrës pasi kjo pengon qarkullimin e ajrit;
- Sigurohuni që ushqimi të mos prekë pjesën e pasme të ndarjes(ve);
- Nëse rryma fiket, mos i hapni derën(at);
- Mos i hapni derën(t) shpesh;
- Mos i mbani derën/et hapur për një kohë të gjatë;
- Mos e vendosni termostatin në temperatura të larta të ftohta;
- Të gjithë aksesoret, si sirtarët, raftet e ballkoneve, duhet të mbahen aty për konsum më të ulët të energjisë.

## Mbrojtja e Mjedisit

 Kjo pajisje nuk përmban gazra që mund të dëmtojnë shtresën e ozonit, qoftë në qarkun e saj ftohës, qoftë në materialet izoluese. Pajisja nuk duhet të hidhet së bashku me mbeturinat urbane dhe mbeturinat. Shkuma izoluese përmban gazra të ndezshëm: pajisja duhet të hidhet sipas rregullave të pajisjes që mund të merren nga autoritetet lokale. Shmangni dëmtimin e njësisë së ftohjes, veçanërisht shkëmbyesit të nxehtësisë. Materialet e përdorura në këtë pajisje janë shënuar nga  simboli janë të riciklueshme.

 Simboli në produkt ose në paketimin e tij tregon se ky produkt nuk mund të trajtohet si mbeturinë shtëpiake. Në vend të kësaj, ajo duhet të çohet  në pikën përkatëse të grumbullimit për riciklimin e energjisë elektrike dhe pajisje elektronike. Duke u siguruar që ky produkt të hidhet siç duhet, ju do të ndihmoni në parandalimin e pasojave të mundshme negative për mjedisin dhe shëndetin e njeriut, të cilat përndryshe mund të shkaktohen nga trajtimi i papërshtatshëm i mbetjeve të këtij produkti. Për informacion më të detajuar në lidhje me riciklimin e këtij produkti, ju lutemi kontaktoni këshillin tuaj lokal, shërbimin tuaj të hedhjes së mbeturinave shtëpiake ose dyqanin ku keni blerë produktin.

## Materialet e paketimit

Materialet me simbol janë të riciklueshme.

Hidheni paketimin në një enë të përshtatshme grumbullimi për ta ricikluar.

## Hedhja e pajisjes

1. Shkëputni spinën nga priza.
2. Prisni kabllon e rrjetit dhe hidheni atë.



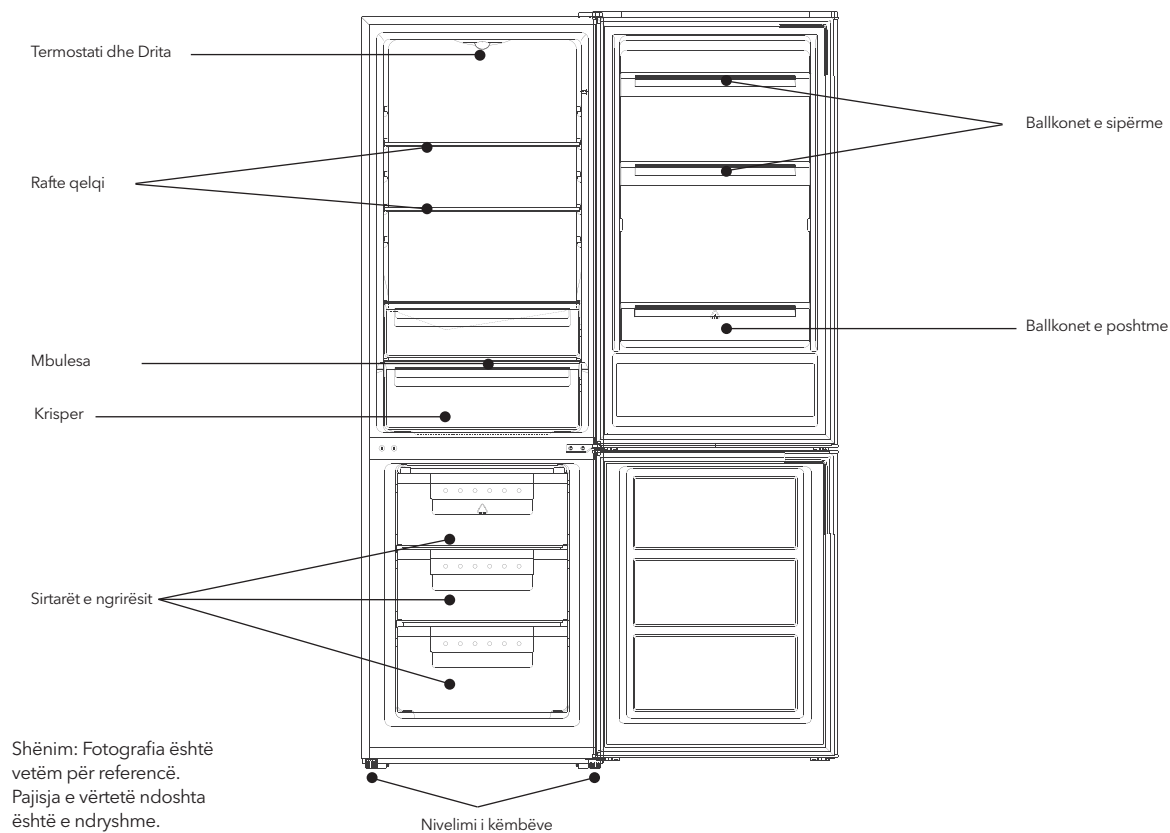
### PARALAJMËRIM!

Gjatë përdorimit, shërbimit dhe largimit të pajisjes, ju lutemi kushtojini vëmendje simbolit të ngjashëm me anën e majtë, i cili ndodhet në pjesën e pasme të pajisjes (paneli i pasmë ose kompresori) dhe me ngjyrë të verdhë ose portokalli.

Është simbol i paralajmërimit të zjarrit. Ka materiale të ndezshme në tubat e ftohësit dhe në kompresor.

Ju lutemi të jeni larg burimit të zjarrit gjatë përdorimit, shërbimit dhe asgjësimit.

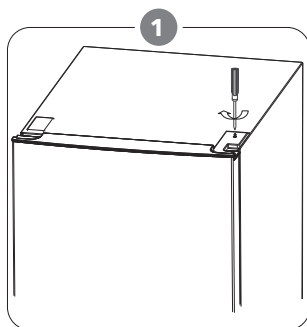
## PËRMBLEDHJE



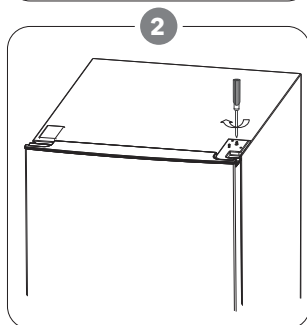
# DERA E KPASE

Mjetet e kërkuara: Kaçavidë Philips, Kaçavidë me tehe të sheshtë, çelës gjashtëkëndor.

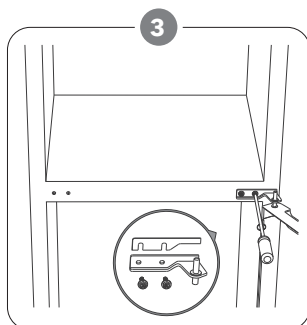
- Sigurohuni që njësia të jetë shkëputur nga priza dhe bosh.
- Për të hequr derën, është e nevojshme të anoni njësinë mbrapa. Ju duhet ta mbështetni njësinë në diçka të fortë në mënyrë që të mos rrëshqasë gjatë procesit të kthimit të derës.
- Të gjitha pjesët e hequra duhet të ruhen për të bërë riinstalimin e derës.
- Mos e vendosni njësinë sheshtë pasi kjo mund të dëmtojë sistemin e ftohësit.
- Është më mirë që 2 persona të trajtojnë njësinë gjatë montimit.



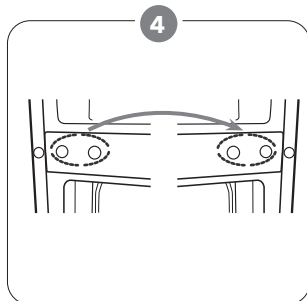
Zhvidhosni dhe hiqni kapakun e menteshës.



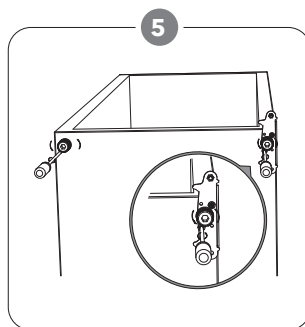
Zhvidhosni dhe hiqni menteshën.



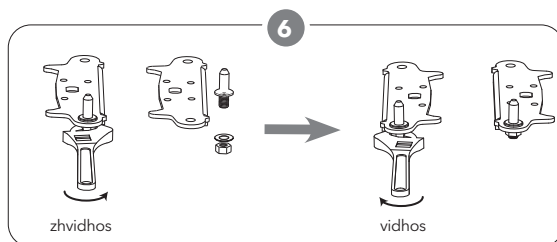
Zhvidhos menteshën e mesme. Ngrini derën e poshtme dhe vendoseni në një jastëk për të shmangur gërvishjet.



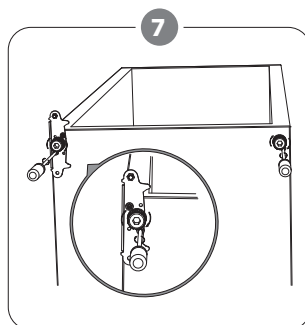
Lëvizni kapakët e vrimës së menteshës nga ana e majtë në të djathtë.



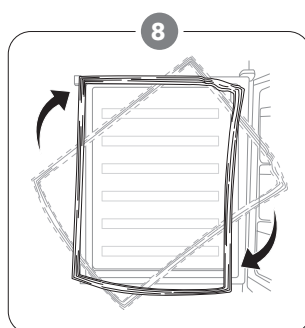
Zhvidhosni menteshën e poshtme. Më pas hiqni këmbët e rregullueshme nga të dyja anët.



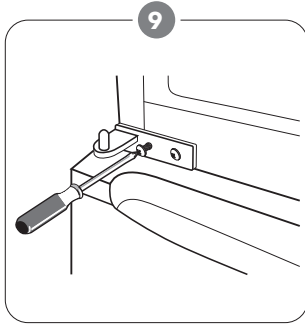
Zhvidhosni dhe hiqni kunjën e menteshës së poshtme, kthejeni mbajtësin dhe vendoseni atë.



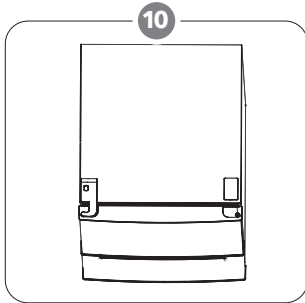
Rivendosni mbajtësin që i përshtatet kunjit të menteshës së poshtme. Zëvendësoni të dyja këmbët e rregullueshme. Transferoni derën e poshtme në pozicionin e pronës.



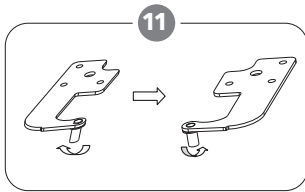
Shkëputni guarnicionet e dyerve të frigoriferit dhe ngrirësit dhe më pas lidhni ato pasi t'i rrotulloni.



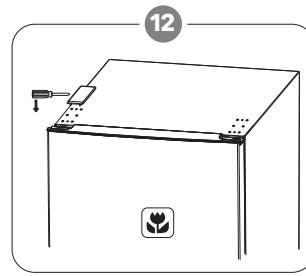
9  
Kthejeni menteshën e mesit me 180°, më pas transferojeni në pozicionin e anës së majtë. Bëni kunjin e menteshës së mesme në vrimën e sipërme të derës së poshtme, më pas shtrëngoni bulonat.



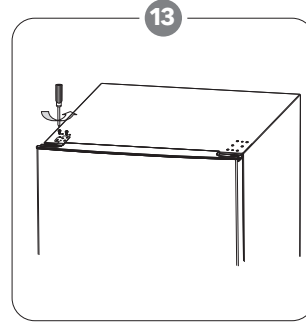
10  
Vendoseni përsëri derën e sipërme. Sigurohuni që dera të jetë e vendosur horizontalisht dhe vertikalisht në mënyrë që vulat mbylljen nga të gjitha anët përpara se të shtrëngoni përfundimisht menteshën e sipërme. Më pas inerton i menteshën dhe vidhosni në pjesën e përparme të njësisë.



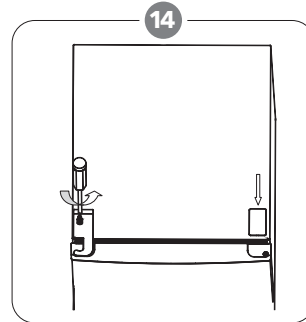
11  
Zhvidhosni kunjin e menteshës dhe kthejeni menteshën, më pas riinstaloni kunjin e menteshës.



12  
Çmoni mbulesën e vrimës së menteshës.



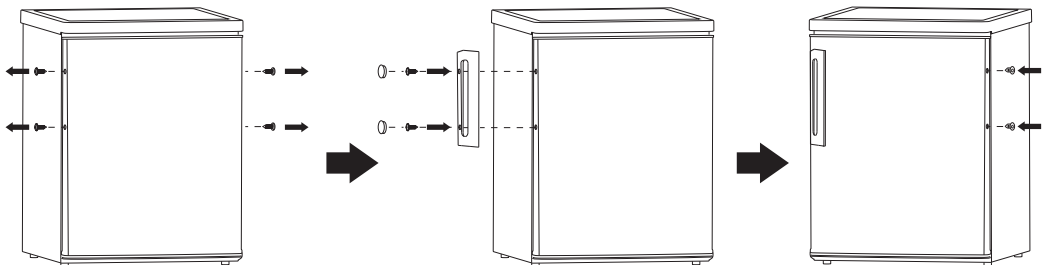
13  
Fiksoni menteshën në të majtë.



14  
Fiksoni kapakun e menteshës në të majtë dhe mbulesën e vrimës së menteshës në të djathtë.

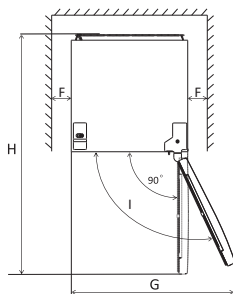
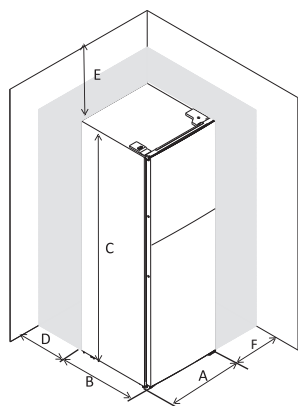
## INSTALIMI

Instaloni dorezën e jashtme të derës (nëse është e pranishme doreza e jashtme)



## Kërkesa për hapësirë

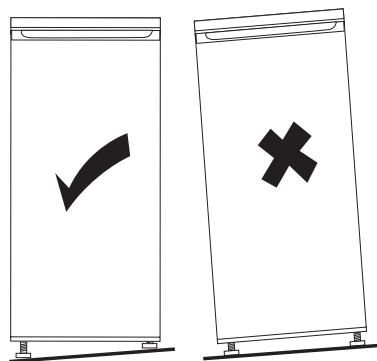
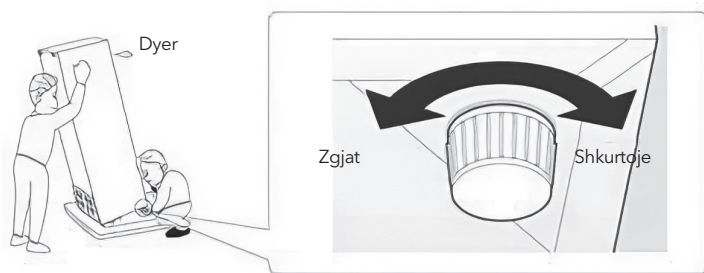
- Mbani hapësirën e mjaftueshme të derës hapur.
- Mbani të paktën 50 mm hendek në dy anët dhe mbrapa.



A	600
B	605
C	1858
D	min=50
E	min=50
F	min=50
G	1200
H	1205
I	135°

## Nivelimi i njësisë

Për ta bërë këtë, rregulloni dy këmbët e nivelimit në pjesën e përparme të njësisë. Nëse njësia nuk është e niveluar, dyert dhe shtrirjet e guarnicioneve magnetike nuk do të mbulojnë siç duhet.



## Pozicionimi

Instaloni këtë pajisje në një vend ku temperatura e ambientit korrespondon me klasën e klimës së treguar në pllakën e të dhënave të pajisjes:

- Për pajisjet ftohëse me klasën e klimës:
- Temperatura e zgjat: kjo pajisje ftohëse është menduar për t'u përdorur në temperaturat e ambientit që variojnë nga 10 °C deri në 32 °C (SN);
- i butë: kjo pajisje ftohëse është menduar për t'u përdorur në temperaturat e ambientit që variojnë nga 16 °C deri në 32 °C (N);
- subtropikale: kjo pajisje ftohëse është menduar për t'u përdorur në temperaturat e ambientit që variojnë nga 16 °C deri në 38 °C (ST);
- tropikale: kjo pajisje ftohëse është menduar për t'u përdorur në temperaturat e ambientit që variojnë nga 16 °C deri në 43 °C (T);

mënyrë ideale, pajisja nuk duhet të vendoset poshtë njësive të murit të varur. E sakta nivelimi sigurohet nga një ose më shumë këmbë të rregullueshme në bazën e kabinetit.

Kjo pajisje ftohëse nuk është menduar për t'u përdorur si një pajisje e integruar.

### **PARALAJMËRIM!**

Duhet të jetë e mundur shkëputja e pajisjes nga furnizimi me energji elektrike; Prandaj spina duhet të jetë lehtësisht e aksesueshme pas instalimit.

## Lidhje elektrike

Përpara se ta futni në prizë, sigurohuni që voltazhi dhe frekuenca e treguar në pllakën e karakteristikave të korrespondojnë me furnizimin me energji elektrike shtëpiake. Pajisja duhet të jetë e tokëzuar. Spina e kabllave të furnizimit me energji elektrike është e pajisur me një kontakt për këtë qëllim. Nëse pushteti i brendshëm prizës dhe furnizimit nuk është e tokëzuar, lidhni pajisjen me një tokëzues të veçantë në përputhje me rregulloret aktuale, duke u konsultuar me një elektrikist të kualifikuar.

Prodhuesi refuzon çdo përgjegjësi nëse nuk respektohen masat e mësipërme të sigurisë. Kjo pajisje përputhet me E.E.C. Direktivat.

## Vendndodhja

Pajisja duhet të instalohet shumë larg burimeve të nxehtësisë si radiatorë, kaldaja, rrezet e diellit direkte etj. Sigurohuni që ajri të qarkullojë lirshëm rreth pjesës së pasme të kabinetit për të siguruar performancën më të mirë. Nëse pajisja është e vendosur poshtë një njësie muri të varur, distanca minimale midis majës së kabinetit dhe njësisë së murit duhet të jetë së paku 50 mm. Sidoqoftë, në

# PËRDORIMI I PËRDITSHËM

## Përdorimi i pare

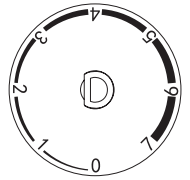
### Pastrimi i brendësisë

Përpara se ta përdorni pajisjen për herë të parë, lani pjesën e brendshme dhe të gjithë aksesorët e brendshëm me ujë të vakët dhe pak sapun neutral, në mënyrë që të hiqni erën tipike të një produkti krejt të ri, më pas thajini tërësisht.

**E RËNDËSISHME!** Mos përdorni detergjentë ose pluhura gërryes, pasi këto do të dëmtojnë përfundimin.

## Vendosja e temperaturës

- Lidhni pajisjen tuaj në prizë. Temperatura e brendshme kontrollohet nga një termostat. Ka 8 nivele të cilësimeve 1 është cilësimi më i ngrohtë, 7 është cilësimi më i ftohtë dhe 0 është i fikur.
- Pajisja mund të mos funksionojë në temperaturën e duhur nëse është në një mjedis veçanërisht të nxehtë ose nëse e hapni shpesh derën.



## Përdorimi i përditshëm

Vendosni ushqime të ndryshme në ndarje të ndryshme sipas tabelës më poshtë

Ndarjet e frigoriferit	Lloj ushqimi
Dera ose ballkonet e ndarjes së frigoriferit	<ul style="list-style-type: none"> <li>Ushqime me konservues natyralë, si reçel, lëngje, pije, erëza.</li> <li>Mos ruani ushqime që prishen.</li> </ul>
Sirtar Crisper (sirtar sallate)	<ul style="list-style-type: none"> <li>Frutat, barishtet dhe perimet duhet të vendosen veçmas në koshin e crisper.</li> <li>Bananet, qepët, patatet, hudhrat mos i ruani në frigorifer.</li> </ul>
Rafti i frigoriferit - i mesëm	<ul style="list-style-type: none"> <li>Produktet e qumështit, vezët</li> </ul>
Rafti i frigoriferit - sipër	<ul style="list-style-type: none"> <li>Ushqimet që nuk kanë nevojë për gatim, si p.sh. ushqime të gatshme, ushqime, ushqime të mbetura.</li> </ul>
Sirtari/raftet e ngrirës	<ul style="list-style-type: none"> <li>Ushqime për ruajtje afatgjatë.</li> <li>Sirtari/rafti i poshtëm për mish të gjallë, shpendë, peshk.</li> <li>Sirtar/rafti i mesëm për perime të ngrira, patate të skuqura</li> <li>Sirtari/rafti i sipërm për akullore, fruta të ngrira, produkte furre të ngrira.</li> </ul>

## Rekomandimi për vendosjen e temperaturës

Temperatura e Mjedisit	Ndarja e ngrirës	Ndarja e frigoriferit
Vera	/	<p>Vendosur mbi 2~4</p>
Normale	/	<p>Vendosur mbi 3</p>
Dimër	/	<p>Vendosur mbi 4~6</p>



## Ndikimi në ruajtjen e ushqimit

- Sipas cilësimeve të rekomanduara, koha më e mirë e ruajtjes së frigoriferit nuk është më shumë se 3 ditë.
- Sipas cilësimeve të rekomanduara, koha më e mirë e ruajtjes së ngrirësit nuk është më shumë se 1 muaj.
- Koha më e mirë e ruajtjes mund të zvogëlohet në cilësime të tjera.

## Ngrirja e ushqimeve të freskëta

- Ndarja e ngrirësit është e përshtatshme për ngrirjen e ushqimeve të freskëta dhe ruajtjen e ushqimeve të ngrira dhe të ngrira thellë për një kohë të gjatë.
- Vendoseni ushqimin e freskët që do të ngrihet në ndarjen e ngrirësit.
- Sasia maksimale e ushqimit që mund të ngrihet në 24 orë është e specifikuar në pllakën e karakteristikave.
- Procesi i ngrirjes zgjat 24 orë: gjatë kësaj periudhe mos shtoni ushqime të tjera për të ngrirë.

## Ruajtja e ushqimit të ngrirë

Kur ndizni për herë të parë ose pas një periudhe jashtë përdorimit, përpara se të vendosni ushqimin në ndarje, lëreni pajisjen të punojë të paktën 2 orë në një cilësi më të lartë.

**E RËNDËSISHME!** Në rast të shkrirjes aksidentale, për shembull, rryma ka qenë e fikur për më shumë se vlera e treguar në grafikun e karakteristikave teknike nën "koha e rritjes", ushqimi i shkrirë duhet të konsumohet shpejt ose të gatuhet menjëherë dhe më pas të ngrihet sërish (pasi të gatuhet).

## Shkrirja

- Ushqimi i ngrirë ose i ngrirë, përpara përdorimit, mund të shkrihet në ndarjen e frigoriferit ose në temperaturën e dhomës, në varësi të kohës së disponueshme për këtë operacion.
- Copat e vogla madje mund të gatuhen ende të ngrira, direkt nga ngrirja. Në këtë rast, gatimi do të zgjasë më shumë.

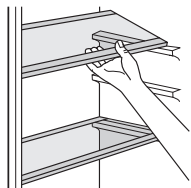
## Kub akulli

Kjo pajisje mund të jetë e pajisur me një ose më shumë tabaka me kuba akulli për të prodhuar akull.

## Aksesorë

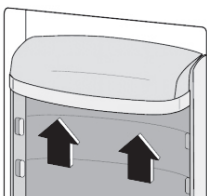
### Raftet të lëvizshëm

Muret e frigoriferit janë të pajisura me një sërë vrapuesish në mënyrë që raftet të mund të pozicionohen sipas dëshirës



## Pozicionimi i ballkoneve të dyerve

Për të lejuar ruajtjen e paketave ushqimore të madhësive të ndryshme, ballkonet e dyerve mund të vendosen në lartësi të ndryshme. Për t'i bërë këto rregullime, veproni si më poshtë: tërhiqeni gradualisht ballkonin në drejtim të shigjetave derisa të lirohet, më pas rivendoseni sipas nevojës.



## Këshilla dhe këshilla të dobishme

- Për t'ju ndihmuar të përfitonit sa më shumë nga procesi i ngrirjes, këtu janë disa këshilla të rëndësishme:
- Sasia maksimale e ushqimit që mund të ngrihet në 24 orë. është
- tregohet në pllakën e të dhënave;
- procesi i ngrirjes zgjat 24 orë. Gjatë kësaj periudhe nuk duhet shtuar asnjë ushqim tjetër për t'u ngrirë;
- ngrini vetëm produkte ushqimore të cilësisë së lartë, të freskëta dhe të pastruara tërësisht;
- Përgatitni ushqimin në pjesë të vogla për të mundësuar ngrirjen e shpejtë dhe të plotë të tij dhe për të bërë të mundur më pas shkrijen vetëm të sasisë së kërkuar;
- Mbështillni ushqimin me letër alumini num ose polietileni dhe sigurohuni që paketimet të jenë hermetike;
- mos lejoni që ushqimet e freskëta dhe të pa ngrira të prekin ushqimin tashmë të ngrirë, duke shmangur kështu rritjen e temperaturës së këtij të fundit;
- Ushqimet pa yndyrë ruhen më mirë dhe më gjatë se ato yndyrore; kripa zvogëlon jetëgjatësinë e ruajtjes së ushqimit;
- akulli i ujit, nëse konsumohet menjëherë pas nxjerrjes nga ndarja e ngrirësit, mund të shkaktojë djegie të lëkurës në ngrirje;
- heqja nga ndarja e ngrirësit, mund të shkaktojë djegie të lëkurës në ngrirje; është e këshillueshme që të tregoni datën e ngrirjes në çdo paketë individuale për t'ju mundësuar të mbani shënim kohën e ruajtjes.

## Këshilla për ruajtjen e ushqimeve të ngrira

- Për të marrë performancën më të mirë nga kjo pajisje, duhet:
- sigurohuni që produktet ushqimore të ngrira komerciale të jenë ruajtur në mënyrë adekuatë nga shitësi;
- Sigurohuni që ushqimet e ngrira të transferohen nga dyqani ushqimor në ngrirës në kohën më të shkurtër të mundshme;
- mos e hapni shpesh derën ose mos e lini të hapur më gjatë se sa është absolutisht e nevojshme.
- pasi shkrihet, ushqimi përkeqësohet shpejt dhe nuk mund të ngrihet përsëri;
- mos e kaloni periudhën e ruajtjes të treguar nga prodhuesi i ushqimit.

## Këshilla për ftohjen e ushqimeve të freskëta

- Për të marrë performancën më të mirë:
- Mos ruani ushqime të ngrohta ose lëngje që avullojnë në frigorifer
- Mbulojeni ose mbështillni ushqimin, veçanërisht nëse ka aromë të fortë
- Bëni (të gjitha llojet): mbështilleni me qese polietileni dhe vendoseni në raftet e xhamit mbi sirtarin e perimeve.
- Për siguri, ruani në këtë mënyrë maksimumi një ose dy ditë.
- Ushqime të gatuar, pjata të ftohta, etj...: këto duhet të mbulohen dhe mund të vendosen në çdo raft.
- Frutat dhe perimet: këto duhet të pastrohen mirë dhe të vendosen në sirtarin(et) e posaçëm të ofruar.
- Gjalpë dhe djathë: këto duhet të vendosen në enë të posaçme hermetike ose të mbështjellën me letër alumini ose qese polietileni për të përjashtuar sa më shumë ajër.
- Shishe qumështi: këto duhet të kenë një kapak dhe duhet të ruhen në ballkonet në derë.
- Bananet, patatet, qepët dhe hudhrat, nëse nuk janë të paketuara, nuk duhet të mbahen në frigorifer..

## Pastrimi

Për arsye higjienike, pjesa e brendshme e pajisjes, duke përfshirë aksesoret e brendshëm, duhet të pastrohet rregullisht.

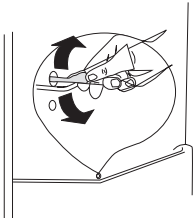
### ! KUJDES!

Pajisja mund të mos lidhet me rrjetin elektrik gjatë pastrimit. Rrezik nga goditja elektrike! Përpara pastrimit fikeni pajisjen dhe hiqeni spinën nga rrjeti elektrik ose fikni ose fikni ndërprerësin ose siguresën. Asnjëherë mos e pastroni pajisjen me pastrues me avull. Lagështia mund të grumbullohet në komponentët elektrikë. rreziku i goditjes elektrike! Avujt e nxehtë mund të çojnë në dëmtimin e pjesëve plastike. Pajisja duhet të jetë e thatë përpara se të vihet sërish në shërbim.

**E RËNDËSISHME!** Vajrat eterikë dhe tretësit organikë mund të sulmojnë pjesët plastike, p.sh. lëng limoni ose lëngu nga lëvozhga e portokallit, acidi butirik, pastrues që përmbajnë acid acetik

## Pastroni vrimën e kullimit

Për të shmangur derdhjen e ujit të shkrirë në frigorifer, pastroni periodikisht vrimën e kullimit në pjesën e pasme të ndarjes së frigoriferit. Përdorni një pastrues për të pastruar vrimën siç tregohet në foto.



- Mos lejoni që substanca të tilla të vijnë në kontakt me pjesët e pajisjes.

- Mos përdorni asnjë pastrues gërryes
- Hiqeni ushqimin nga ngrirja. I ruani në një vend të freskët, të mbuluar mirë.
- Fikni pajisjen dhe hiqni spinën nga priza ose fikni ndërprerësin ose siguresën.
- Pastroni pajisjen dhe aksesoret e brendshëm me një leckë dhe ujë të vakët.
- Pas pastrimit fshijeni me ujë të freskët dhe fërkojeni.
- Pasi gjithçka është tharë, vendoseni pajisjen përsëri në shërbim.

## Shkrirja e ngrirësit

Megjithatë, ndarja e ngrirësit do të mbulohet gradualisht me ngrica. Kjo duhet hequr. Asnjëherë mos përdorni mjete metalike të mprehta për të hequr ngricën nga avulluesi pasi mund ta dëmtoni atë. Megjithatë, kur akulli bëhet shumë i trashë në shtresën e brendshme, shkrirja e plotë duhet të kryhet si më poshtë:

- hiqeni spinën nga priza;
- hiqni të gjitha ushqimet e ruajtura, mbështilleni me disa shtresa gazete dhe vendoseni në një vend të freskët;
- mbajeni derën hapur dhe vendosni një legen poshtë pajisjes për të mbledhur ujin e shkrirjes;
- kur të përfundojë shkrirja, thani tërësisht pjesën e brendshme
- ndërroni spinën në prizë për të vënë në punë pajisjen përsëri.

## Zëvendësoni llambën

### ! KUJDES!

Produkti është i pajisur me dritë LED, ju lutemi kontaktoni shërbimin pas shitjes në rast ndërrimi.



# ZGJIDHJA E PROBLEMEVE

## ! KUJDES!

Përpara zgjidhjes së problemeve, shkëputni furnizimin me energji elektrike. Zgjidhjen e problemeve që nuk janë në këtë manual duhet të bëjë vetëm një elektrikist i kualifikuar i personit kompetent.

**E RËNDËSISHME!** Ka disa tinguj gjatë përdorimit normal (kompresori, qarkullimi i ftohësit).

Problem	Shkak i mundshëm	Zgjidhje
Pajisja nuk funksionon	Çelësi i rregullimit të temperaturës është vendosur në numrin "0".	Vendoseni çelësin në një numër tjetër për të ndezur pajisjen.
	Spina e rrymës nuk është futur në prizë ose është e lirshme	Fut spinën e rrymës.
	Siguresa është fryrë ose është me defekt	Kontrolloni siguresën, zëvendësojeni nëse është e nevojshme.
	Priza është me defekt	Mosfunksionimet e prizës duhet të korrigjohen nga një elektrikist
Ushqimi është shumë i ngrohtë.	Temperatura nuk është rregulluar siç duhet.	Ju lutemi shikoni në seksionin fillestar të cilësimit të temperaturës.
	Dera ishte e hapur për një kohë të gjatë.	Hapni derën vetëm për aq kohë sa është e nevojshme.
	Një sasi e madhe ushqimi të ngrohtë është vendosur në pajisje brenda 24 orëve të fundit.	Kthejeni përkohësisht rregullimin e temperaturës në një cilësim më të ftohtë.
	Pajisja ndodhet pranë një burimi nxehtësie.	Ju lutemi shikoni në seksionin e vendndodhjes së instalimit.
Pajisja ftohet shumë	Temperatura është vendosur shumë e ftohtë.	Kthejeni përkohësisht çelësin e rregullimit të temperaturës në një cilësim më të ngrohtë.
Zhurma të pazakonta	Pajisja nuk është në nivel.	Rregulloni përsëri këmbët.
	Pajisja po prek murin ose objekte të tjera.	Lëvizni pak pajisjen.
	Një komponent, p.sh. një tub, në pjesën e pasme të pajisjes është duke prekur një pjesë tjetër të pajisjes ose murin.	Nëse është e nevojshme, përkulni me kujdes komponentin nga rruga.
Uji në dysheme	Vrima e kullimit të ujit është e bllokuar.	Shihni seksionin Pastrimi.
Paneli anësor është i nxehtë	Kondensuesi është brenda panelit.	Eshte normale.

Nëse mosfunksionimi shfaqet përsëri, kontaktoni Qendrën e Shërbimit.

## BEZBEDNOSNA UPUTSTVA

Radi sopstvene bezbjednosti obezbedite sigurnu upotrebu, prije instalacije i prve upotrebe uređaja, pročitajte ovo korisničko uputstvo, uključujući i savjete i upozorenja. Da biste izbjegli nepotrebne greške i nezgode, važno je da se postarate da sve osobe koje koriste uređaj budu detaljno upoznate s njegovim operacijama i bezbjedonosnim funkcijama. Sačuvajte ova uputstva i pobrinite se da budu u sklopu uređaja ako bude premješten ili prodat, kako bi svako, ko ga koristi tokom svog života bio upoznat sa pravilnom upotrebom i bezbjednošću uređaja.


Imajte na umu ovo korisničko uputstvo radi svoje lične sigurnosti i sigurnosti imovine, budući da proizvođač nije odgovoran za štetu učinjenu propustima.

### Bezbjednost djece i nesamostalnih osoba

- Ovaj uređaj mogu koristiti djeca starosti 8 ili više godina i osobe sa smanjenim fizičkim, čulnim ili mentalnim sposobnostima, ili manjkom iskustva i znanja ukoliko su pod nadzorom, ili su im data uputstva u vezi sa bezbjednom upotrebom uređaja, i svjesni su mogućeg rizika.
- Djeci uzrasta od 3 do 8 godina je dozvoljeno da stavljaju predmete u i uzimaju predmete iz ovog uređaja.
- Djeca bi trebalo da budu pod nadzorom, kako biste osigurali da se ne igraju uređajem.
- Čišćenjem i održavanjem ne bi trebalo da se bave djeca, osim ako nisu starosti 8 ili više godina i moraju biti pod obaveznim nadzorom.
- Svu ambalažu čuvajte van domašaja djece. Postoji opasnost od gušenja.
- Ukoliko ste odlučili da više ne koristite uređaj, prekinite napajanje uređaja strujom, presijecite kabl za napajanje (što je bliže moguće uređaju) i uklonite vrata, kako biste spriječili mogućnost da djeca, koja se igraju, pretrpe strujni udar ili se zatvore u uređaj.
- Ukoliko ovaj uređaj ima magnetnu gumu na vratima, a želite da njime zamijenite stariji uređaj, koji se zatvarao pomoću opruge na vratima ili poklopcu, onemogućite funkcionisanje zatvaranja starijeg uređaja pomoću opruge. Na ovaj način ćete spriječiti da uređaj postane smrtonosna zamka za dijete.

### Opšta bezbjednost

** UPOZORENJE!** Održavajte ventilacione otvore u kućištu frižidera ili ugradnoj strukturi čistima od začepljenja.

** UPOZORENJE!** Nemojte koristiti mehaničke uređaje ili druge naprave kako biste ubrzali proces odmrzavanja, osim proizvoda preporučenih od

strane proizvođača uređaja.

**⚠ UPOZORENJE!** Nemojte oštetiti sistem za hlađenje.

**⚠ UPOZORENJE!** Nemojte stavljati druge električne uređaje (kao što su uređaji za pravljenje sladoleda) u uređaj za hlađenje, osim ako ih proizvođač nije odobrio u ovu svrhu.

**⚠ UPOZORENJE!** Ne dirajte sijalicu ukoliko radi duže vremena, jer može biti veoma vruća.<sup>1</sup>

**⚠ UPOZORENJE!** Prilikom postavljanja uređaja, uvjerite se da ništa ne pritiska priključni kabl, kao i da kabl nije oštećen.

**⚠ UPOZORENJE!** Ne postavljajte višestruke prenosive utičnice ili prenosivo napajanje iza uređaja.

- Nemojte čuvati eksplozivne supstance, kao što su ambalaže sprejeva sa zapaljivim gasom u ovom uređaju.
- Supstanca za hlađenje, izobutan (R600a), se nalazi u sistemu za hlađenje uređaja, to je prirodni gas s visokim nivoom ekološke kompatibilnosti, ali izuzetno zapaljiv.
- obrinite se da tokom transporta ili postavljanja uređaja ne bude oštećena nijedna komponenta sistema za hlađenje uređaja.
  - izbjegavajte otvoren plamen i izvore zapaljivosti
  - temeljno provjetrite prostoriju, u kojoj se nalazi uređaj
- Opasno je menjati specifikacije ili modifikovati proizvod na bilo koji način. Bilo kakvo oštećenje kabla može prouzrokovati kratak spoj, požar i/ili strujni udar.
- Ovaj uređaj je namenjen za upotrebu u domaćinstvima i za slične primjene, kao što su
  - prostori za zaposlene u kuhinji, u prodavnicama, kancelarije i druga radna okruženja;
  - poljoprivredna domaćinstva i od strane hotelskih i motelskih gostiju, kao i drugih vrsta ovakvih objekata;
  - objekti koji pružaju uslugu noćenja sa doručkom;
  - catering i slične neprodajne namjene.

**⚠ UPOZORENJE!** Bilo koju električnu komponentu (utikač, kabl za napajanje, kompresor itd.) mora zamijeniti ovlašćeni serviser ili kvalifikovano osoblje.

**⚠ UPOZORENJE!** Sijalica, dostavljena sa ovim uređajem, je "sijalica za specijalnu namjenu" i može se koristiti samo za uređaj uz koji je dostavljena. Ova "sijalica za specijalnu namjenu" se ne može koristiti za kućno osvjjetljenje<sup>1</sup>

- Kabl za napajanje se ne smije produžavati.
- Provjerite da li je utikač, na zadnjoj strani uređaja, zgnječen ili oštećen.

<sup>1</sup> Ukoliko u uređaju postoji.

Zgnječen ili oštećen utikač može dovesti do pregrijavanja i izazvati požar.

- Pobrinite se da vam glavni utikač uređaja bude dostupan.
- Nemojte izvlačiti glavni kabl.
- Ukoliko utičnica nije fiksirana, nemojte priključivati aparat. Postoji rizik od strujnog udara ili vatre.
- Ne smijete raditi ništa na uređaju bez osvetljenja.
- Uređaj je težak. Budite oprezni tokom pomijeranja uređaja.
- Nemojte uklanjati ili dodirivati elemente iz dijela za zamrzavanje ako su vam ruke vlažne/mokre, budući da to može prouzrokovati ogrebotine ili promrzline na koži.
- Izbjegavajte duže izlaganje aparata direktnoj sunčevoj svjetlosti.

## Dnevna upotreba

- Ne stavljajte vruće stvari na plastične dijelove uređaja.
- Ne stavljate prehrambene proizvode uza zadnji zid.
- Zamrznuta hrana se ne smije ponovo zamrzavati nakon što se otopi.<sup>2</sup>
- Već zapakovanu zamrznutu hranu čuvajte u skladu sa instrukcijama proizvođača, u vezi sa zamrznutom hranom.<sup>2</sup>
- Striktno se pridržavajte preporuka proizvođača u pogledu držanja stvari u uređaju. Pridržavajte se relevantnih instrukcija.
- Ne stavljate gazirana pića u dio za zamrzavanje, budući da to stvara pritisak, koji može prouzrokovati pucanje ambalaže, što može dovesti do oštećenja uređaja.<sup>2</sup>
- Voćni sladoledi mogu izazvati promrzline ukoliko se konzumiraju odmah po uzimanju iz uređaja.<sup>2</sup>

Kako biste izbjegli kontaminiranje hrane, pratite sledeća uputstva

- Držanje uređaja otvorenim tokom dugih vremenskih perioda može da dovede do značajnog rasta temperature unutar odjeljaka uređaja.
- Redovno čistite površine koje mogu da dođu u dodir sa hranom, kao i pristupačne dijelove odvodnog sistema.
- Očistite rezervoare za vodu ukoliko ih niste koristili tokom vremenskog perioda dužeg od 48 h; ukoliko tokom vremenskog perioda od 5 dana niste uzimali vodu iz uređaja, isperite sistem za protok vode vodom iz vodovodne mreže.
- Sirovo meso i ribu unutar frižidera držite u odgovarajućim posudama, kako ove namirnice ne bi došle u dodir sa ili kako ne bi kapale po ostaloj hrani.
- Odjeljci za smrznutu hranu označeni sa dvije zvjezdice (ukoliko postoje u okviru uređaja) pogodni su za držanje prethodno smrznute hrane, za držanje ili pravljenje sladoleda i za pravljenje kockica leda.

<sup>2</sup> Ukoliko postoji dio za zamrzavanje.

- Odjeljci označeni jednom, dvijema i trima zvjezdicama (ukoliko postoje u okviru uređaja) nijesu pogodni za zamrzavanje svježe hrane.
- Ukoliko će uređaj biti prazan tokom dužeg vremenskog perioda, isključite ga, odledite, očistite i osušite, a zatim ostavite vrata uređaja otvorenim kako biste spriječili razvoj buđi u unutrašnjosti uređaja.

## Održavanje i čišćenje

- Prije održavanja, isključite uređaj, ili prekinite dotok električne energije.
- Uređaj nemojte čistiti metalnim predmetima.
- Ne koristite oštre predmete, da bi uklonili led sa uređaja. Koristite plastična sredstva za struganje. <sup>2</sup>
- Redovno provjeravajte odvod za odleđenu vodu u frižideru. Ukoliko je potrebno, očistite odvod. Ukoliko je odvod blokiran, voda će se sakupljati na dnu uređaja. <sup>3</sup>

## Instalacija uređaja

- **VAŽNO!** Za priključivanje na električnu mrežu, pažljivo pratite uputstva data u specifičnim dijelovima uputstva.
- Raspakujte uređaj i provjerite da li postoje na njemu oštećenja. Ne povezujte uređaj na struju, ukoliko je oštećen. Moguća oštećenja odmah prijavite u mjestu gdje ste ga kupili. U tom slučaju zadržite ambalažu uređaja.
- Preporučuje se, da sačekate najmanje četiri sata prije nego što priključite uređaj, kako bi se ulje vratilo u kompresor.
- Potrebno je obezbijediti adekvatno strujanje vazduha oko uređaja, nepostojanje ovoga može dovesti do pregrijavanja. Za postizanje odgovarajućeg protoka vazduha, pratite uputstva potrebna za instalaciju uređaja.
- Gdje god je moguće, razmaknica mora biti postavljena između uređaja i zida, kako bi se izbjeglo dodirivanje ili hvatanje za vruće dijelove (kompresor, kondenzator) kako bi se izbjegle moguće opekotine.
- Uređaj ne smije biti postavljen blizu radijatora ili štednjaka.
- Pobrinite se da bude obezbijeđen lak pristup glavnom utikaču i nakon postavljanja uređaja.

## Servisiranje

- Bilo kakvo servisiranje uređaja, koje zahtjeva električne radove, treba da bude obavljen od strane kvalifikovanog električara ili kompetentne osobe.

<sup>2</sup> Ukoliko postoji dio za zamrzavanje.


<sup>3</sup> Ukoliko postoji dio za čuvanje svježe hrane



- Samo ovlašćeni centar za servisiranje može obaviti popravke na uređaju, i mogu se koristiti samo originalni rezervni dijelovi.

## Ušteda energije

- Ne stavljate vruću hranu u uređaj;
- Ne pakujte svu hranu zajedno, budući da to sprječava cirkulaciju vazduha;
- Pobrinite se da hrana ne dotiče zadnji dio pregrade(a);
- Ukoliko nestane struje, ne otvarajte vrata;
- Ne otvarajte često vrata;
- Ne držite vrata otvorena drugo;
- Nemojte postavljati termostat na izuzetno niske temperature
- Potrebno je sve dodatne elemente, poput fioka, polica, polica u vratima uređaja, tamo držati u cilju smanjenja utroška energije.

## Zaštita životne sredine

 Ovaj uređaj ne sadrži gasove, koji mogu oštetiti ozonski omotač, ni u sistemu za hlađenje, ni u materijalima za izolaciju. Uređaj ne bi trebalo odlagati zajedno sa gradskim ili kućnim otpadom. Izolaciona pjena sadrži zapaljive gasove: uređaj bi trebalo odložiti u skladu sa propisima za uređaje, koje su izdale lokale vlasti. Izbjegavajte pravljenje oštećenja dijela za hlađenje, posebno dijela za razmjenu toplote. Materijali korišćeni za ovaj uređaj, mogu se reciklirati ukoliko su označeni simbolom za reciklažu. ♻

 Oznaka na proizvodu, ili njegovom pakovanju, ukazuje da ovaj proizvod ne smije biti tretiran kao otpad nastao u domaćinstvu. Umjesto toga,  treba ga ostaviti na odgovarajućem mjestu, na kojem se sakuplja električna i elektronska oprema.

Osiguravanjem da je proizvod ispravno odložen, pomoćićete sprečavanju potencijalnih negativnih posljedica po životnu sredinu i ljudsko zdravlje, koje inače mogu biti uzrokovane nepravilnim odlaganjem otpada ovog uređaja. Za više detalja o recikliranju ovog proizvoda, molimo vas da kontaktirate svoju lokalni organ za zaštitu životne sredine, preduzeće za odlaganje komunalnog otpada ili prodavnicu, u kojoj ste kupili proizvod.

## Materijali ambalaže

Materijali označeni ovim simbolom mogu se reciklirati. Ambalažu odložite u odgovarajući konterjner za prikupljanje otpada za reciklažu.

## Odlaganje uređaja

1. Prekinite napajanje uređaja strujom.
2. Odsijecite kabl za napajanje i odložite ga.



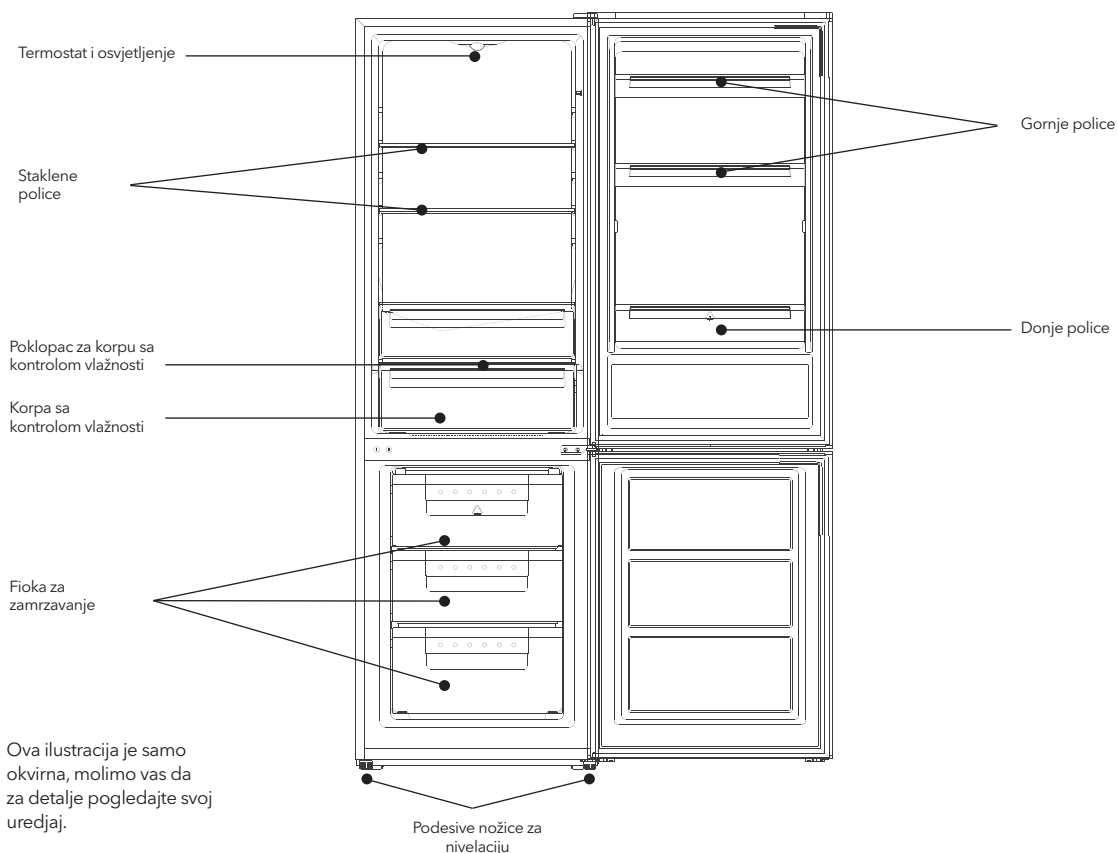


## UPOZORENJE!

Prilikom upotrebe, servisiranja i odlaganja uređaja, imajte u vidu oznaku nalik oznaci prikazanoj na slici lijevo, koja se nalazi na zadnjem dijelu uređaja (tabla ili kompresor na zadnjem delu uređaja), a koja je žute ili narandžaste boje.

Ova oznaka predstavlja simbol rizika od požara. U cijevima za rashladno sredstvo i u kompresoru se nalaze zapaljivi materijali. Molimo Vas da tokom upotrebe, servisiranja i odlaganja, uređaj držite dalje od izvora požara.

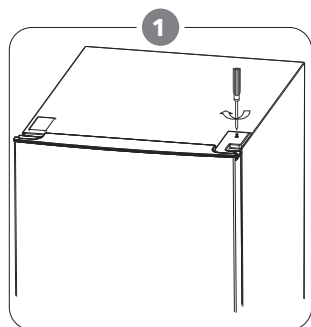
## PREGLED



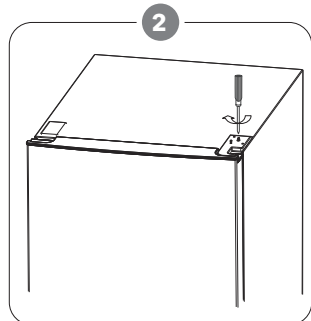
# ZAMJENA SMIJERA OTVARANJA VRATA

Potreban alat: Philips odvijač, ravni odvijač, šestougaoni ključ.

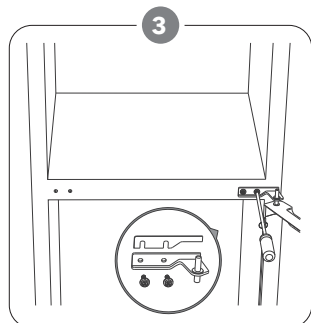
- Pobrinite se da uređaj bude isključen i prazan.
- Da biste skinuli vrata, potrebno je da uređaj nagnete unazad. Uređaj treba da bude postavljen na tvrdu podlogu, kako se ne bi dogodilo da isklizne prilikom zamjene položaja vrata.
- Svi uklonjeni dijelovi moraju biti sačuvani radi ponovnog instaliranja vrata.
- Uređaj nemojte stavljati u horizontalan položaj, jer to može oštetiti sistem za hlađenje.
- Preporučuje se da dvije osobe učestvuju u montiranju.



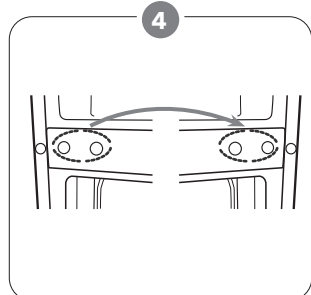
Odšrafite i uklonite štitnik za šarku.



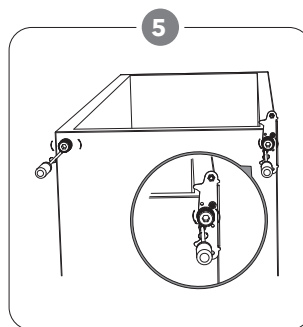
Odšrafite i uklonite šarku.



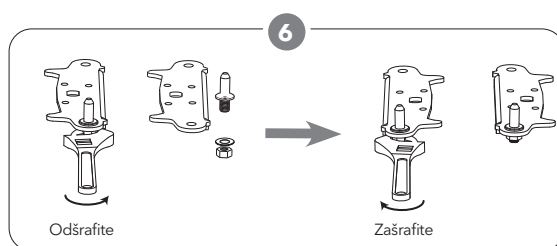
Odšrafite srednju šarku. Podignite donji dio vrata, i stavite na meku podlogu, kako biste izbjegli ogrebotine.



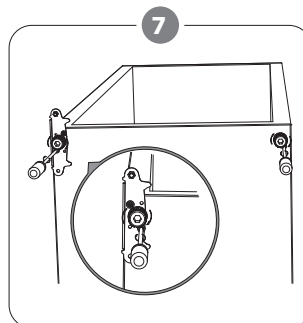
Premjestite štitnike rupa za šarke sa lijeve na desnu stranu.



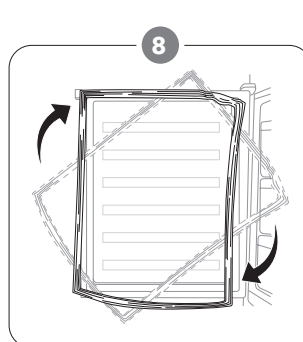
Odšrafite donju šarku. Zatim uklonite podesive nožice s obje strane.



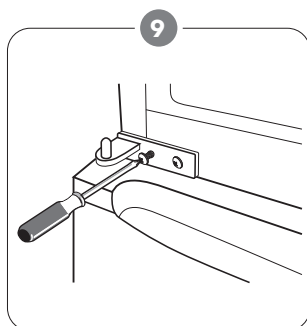
Odvrnite i uklonite donju iglu za šarku, okrenite držač i vratite ga.



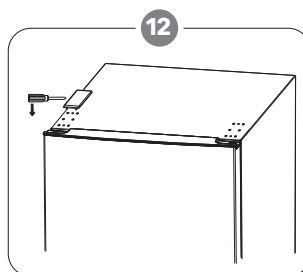
Ponovo postavite podupirač, tako što ćete staviti iglu. Vratite obje podesive nožice. Premjestite donja vrata na odgovarajuću poziciju.



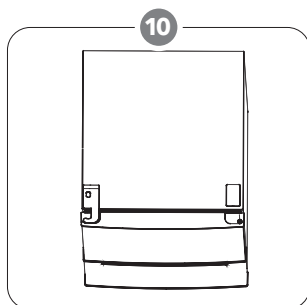
Uklonite zaptivke sa vrata frižidera i zamrzivača, a zatim ih zarotirajte i, nakon toga, ponovo postavite.



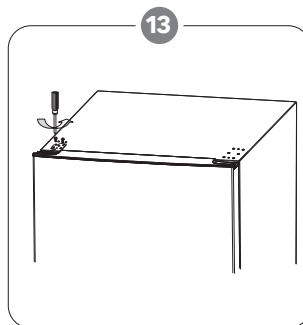
9  
Obrnite donju šarku za 180°, zatim je premjestite na lijevu stranu. Postavite srednju iglu sa srednje šarke u gornju rupu donjih vrata, zatim zategnite vijlike.



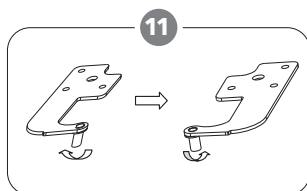
12  
Otvorite štitnik rupe za šarku.



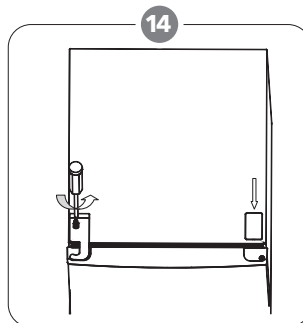
10  
Postavite ponovo gornja vrata. Pobrinite se da vrata budu poravnana horizontalno i vertikalno, tako da guma prijanja sa svih strana, prije nego što konačno pričvrstite gornju šarku. Zatim stavite šarku, i zašrafite je na vrhu uređaja.



13  
Postavite šarku na lijevu stranu.



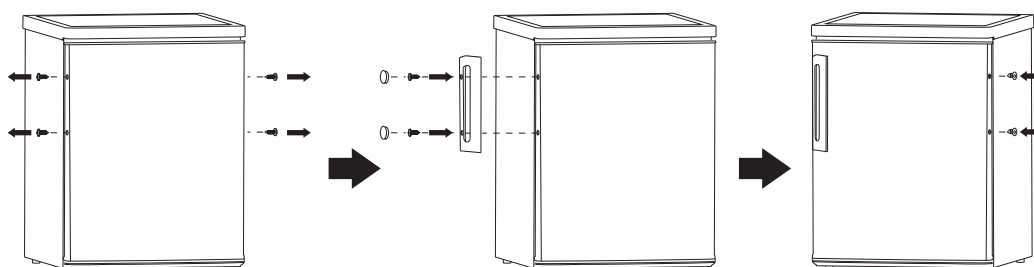
11  
Odvrnite iglu za šarku i obrnite šarku, i onda vratite iglu.



14  
Postavite štitnik za šarku na lijevu stranu i štitnik rupe za šarku na desnu.

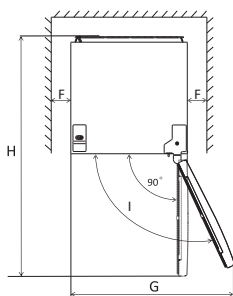
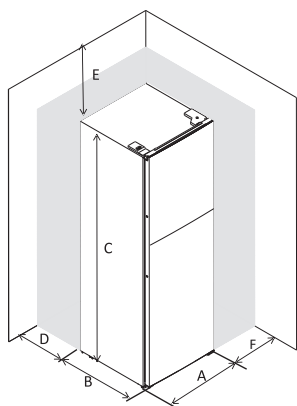
## UGRADNJA UREĐAJA

Postavite spoljnu ručku za vrata (ukoliko spoljna ručka postoji)



## Potrebe prostora

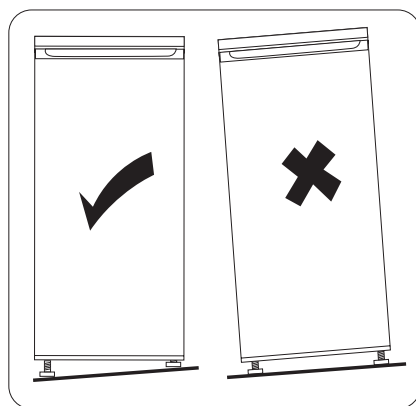
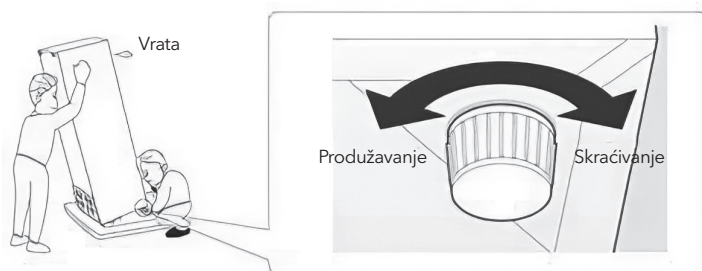
- Ostavite dovoljno mjesta za otvaranje vrata.
- Ostavite najmanje 50mm razmaka s obje strane



A	600
B	605
C	1858
D	min=50
E	min=50
F	min=50
G	1200
H	1205
I	135°

## Nivelacija uređaja

Kako biste ovo uradili, podesite dvije podesne nožice s prednje strane uređaja. Ukoliko uređaj nije nivelisan, vrata i magnetna guma neće pravilno prijanjati.



## Pozicioniranje

Postavite ovaj uređaj na mjesto čija sobna temperatura odgovara klimatskoj klasi navedenoj na pločici sa podacima o uređaju:

Kod uređaja za rashlađivanje sa sledećim klimatskim klasama:

- prošireno umjerena: ovaj uređaj za rashlađivanje je namijenjen za upotrebu na sobnim temperaturama koje se kreću u opsegu od 10°C do 32°C (SN);
- umjerena: ovaj uređaj za rashlađivanje je namijenjen za upotrebu na sobnim temperaturama koje se kreću u opsegu od 16°C do 32°C (N);
- subtropska: ovaj uređaj za rashlađivanje je namijenjen za upotrebu na sobnim temperaturama koje se kreću u opsegu od 16°C do 38°C (ST);
- tropska: ovaj uređaj za rashlađivanje je namijenjen za upotrebu na sobnim temperaturama koje se kreću u opsegu od 16°C do 43°C (T);

## Lokacija

Uređaj treba da bude postavljen daleko od izvora toplote, kao što su radijatori, bojleri, izlaganje direktnim sunčevim zracima itd. Postarajte se da vazduh slobodno cirkuliše oko zadnjeg dela frižidera, kako

biste osigurali najbolju učinak. Ukoliko je uređaj postavljen ispod visećeg dela, minimalni razmak između vrha uređaja i visećeg dela treba da bude bar 50 mm. Idealno bi bilo da uređaj ne bude postavljen ispod visećeg dela. Odgovarajuća nivelacija se postiže uz pomoć jedne ili više podesnih nožica, u zavisnosti od uređaja. Nije predviđeno da se ovaj uređaj za rashlađivanje upotrebljava kao ugradni uređaj.

### **⚠ UPOZORENJE!**

Prekidanje napajanja uređaja mora biti omogućeno; iz tog razloga, utičnica mora biti dostupna nakon postavljanja uređaja.

## Povezivanje na struju

Pre uključivanja, proverite da napon i frekvencija prikazana na tablici specifikacije odgovaraju naponu struje domaćinstva. Uređaj mora biti uzemljen. Kabl za napajanje električnom energijom je opremljen kontaktom za ovu namenu. Ukoliko utičnica u domaćinstvu nema uzemljenje, priključite uređaj na izdvojeno uzemljenje u skladu sa trenutnim propisima; konsultujte se sa kvalifikovanim električarem. Proizvođač ne snosi nikakvu odgovornost, ukoliko gore navedene preventivne mere nisu ispoštovane. Ovaj uređaj ispunjava uslove EEC direktiva.

# DNEVNA UPOTREBA

## Prva upotreba

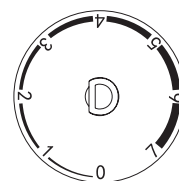
### Čišćenje unutrašnjosti uređaja

Prije korišćenja uređaja po prvi put, očistite unutrašnjost i sve unutrašnje elemente mlakom vodom i neutralnim sapunom, kako biste uklonili tipičan miris novog proizvoda, a zatim ga dobro osušite.

**VAŽNO!** Ne koristite deterdžente ili abrazivna sredstva, budući da mogu da oštete površinu.

## Podešavanje temperature

- Uključite svoj uređaj. Unutrašnju temperaturu reguliše termostat. Postoji 8 nivoa temperature, 1 je najtopliji nivo, 7 je najhladniji, i 0 znači da je uređaj isključen.
- Uređaj možda neće raditi na pravoj temperaturi, ako se nalazi u veoma toplom okruženju ili ako često otvarate vrata.



## Svakodnevna upotreba

Različite vrste namirnica raspoređujte u različite odjeljke, prema podacima navedenim u sljedećoj tabeli

Odjeljci frižidera	Vrste namirnica
Vrata ili police u vratima odjeljka za rashlađivanje	<ul style="list-style-type: none"> <li>Namirnice sa prirodnim konzervansima, poput džemova, sokova, pića, dodataka jelima.</li> <li>Nemojte držati kvarljive namirnice.</li> </ul>
Crisper fioka za čuvanje svježine (fioka za čuvanje salate)	<ul style="list-style-type: none"> <li>Voće, začinsko bilje i povrće treba držati zasebno u crisper fioci za čuvanje svježine.</li> <li>Banane, crni luk, paradajz i bijeli luk ne treba držati u frižideru.</li> </ul>
Polica frižidera - srednja	<ul style="list-style-type: none"> <li>Mlječni proizvodi, jaja</li> </ul>
Polica frižidera - gornja	<ul style="list-style-type: none"> <li>Hrana koju nije potrebno termički obrađivati, poput gotove hrane, mesnih prerađevina, ostataka hrane.</li> </ul>
Fioka(e)/polica zamrzivača	<ul style="list-style-type: none"> <li>Namirnice koje se drže tokom dužeg vremenskog perioda.</li> <li>Donja fioka/polica za svježe meso, živinsko meso, ribu.</li> <li>Srednja fioka/polica za smrznuto povrće, pomfrit.</li> <li>Gornja fioka/polica za sladoled, smrznuto voće, smrznutu kuhanu hranu.</li> </ul>

## Preporuka za temperaturna podešavanja

Spoljašnja temperatura	Odjeljak zamrzivača	Odjeljak frižidera
Ljetnja	/	<p>Podesite na 2~4</p>
Normalna	/	<p>Podesite na 3</p>
Zimska	/	<p>Podesite na 4~6</p>

## Uticaj na čuvanje hrane

- Pri preporučenim podešavanjima, hranu je u frižideru najbolje čuvati ne duže od 3 dana.
- Pri preporučenim podešavanjima, hranu je u zamrzivaču najbolje čuvati ne duže od 1 meseca.
- Preporučeni period čuvanja hrane može postati kraći pri drugim vrijednostima podešavanja.

## Zamrzavanje svježe hrane

- Dio za zamrzavanje je pogodan za zamrzavanje svježe hrane i čuvanje zaleđene i duboko zamrznute hrane na duži vremenski period.
- Svežu hranu stavite u dio za zamrzavanje, kako biste je zamrzli.
- Maksimalna količina hrane koja može biti zaleđena u 24 sata je navedena u tablici specifikacije.
- Proces zamrzavanja traje 24 sata: tokom ovog perioda nemojte dodavati još hrane, predviđene da se zamrzne.

## Čuvanje zamrznute hrane

Ukoliko se uključuje po prvi put, ili nakon dužeg perioda van upotrebe, prije stavljanja hrane u pregradu, uređaj treba da radi najmanje 2 sata podešen na najviše vrednosti.

**VAŽNO!** Ukoliko dođe do slučajnog odmrzavanja, na primijer, ukoliko nema struje duže nego što je prikazano u tehničkim karakteristikama pod dijelom "rising time", zamrznuta hrana se mora brzo upotrebiti, ili odmah termički obraditi i onda ponovo zamrznuti (nakon što je spremljena).

## Odmrzavanje

- Duboko zamrznuta ili zaleđena hrana, prije upotrebe, može biti odmrznuta ili u pregradama frižidera ili na sobnoj temperaturi, u zavisnosti od raspoloživog vremena.
- Manji komadi se mogu čak pripremati za jelo iako su i dalje zaleđeni, direktno iz zamrzivača. U ovom slučaju priprema hrane traje duže.

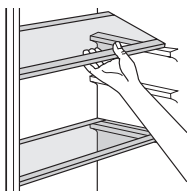
## Kocke leda

Ovaj uređaj možda nije opremljen jednom ili više posuda za pravljenje kocki leda.

## Prateći elementi

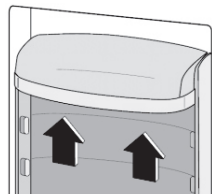
### Police koje se mogu pomjerati

Zidovi frižidera imaju niz žljebova, tako da se police mogu podešavati po želji.



## Podešavanje policna na vratima

Kako biste omogućili odlaganje hrane različitih veličina, police na vratima mogu biti podešena na različite nivo. Kako biste ovo prilagodili, učinite sljedeće: postepeno spuštajte policu u smjeru strelice, dok se bude slobodna, a onda je pozicionirajte po potrebi.



## Korisni saveti

Kako bismo vam pomogli da što bolje iskoristite proces zamrzavanja, evo nekih važnih savjeta:

- maksimalna količina hrane koja može biti zaleđena u 24 sata je navedena na tablici specifikacije;
- proces zamrzavanja traje 24 sata. Tokom ovog perioda ne bi bilo poželjno dodavanje hrane za zamrzavanje;
- zamrzavajte samo kvalitetnu, svežu i potpuno očišćenu hranu;
- hrana treba da bude podijeljena u manje porcije, kako bi bilo omogućeno brže i potpuno zamrzavanje, i kako bi se kasnije mogla odmrznuti samo potrebna količina;
- hranu zavijte u aluminijumsku ili polietilensku foliju i pobrinite se da pakovanja ne propuštaju vazduh; nemojte da dozvolite da nezaleđena hrana dodiruje već zaleđenu, kako biste joj izbjegli porast temperature.
- nemasna hrana se čuva bolje i duže od masne; so smanjuje vijek trajanja čuvane hrane;
- ukoliko se kockice leda upotrebe odmah nakon što su izvađene iz zamrzivača, mogu izazvati promrzline na koži;
- uklanjanje hrane iz dijela za zamrzavanje može izazvati promrzline na koži;
- savjetuje se, da na svakom paketiću smrznute hrane.

## Savjeti za čuvanje zamrznute hrane

Kako biste dobili najbolji učinak od ovog uređaja, treba da:

- da proverite, da je komercijalno zamrznutu hranu adekvatno čuvao prodavac;
- postarajte se da hrana bude prenesena od prodavnice do zamrzivača u najkraćem mogućem roku;
- Ne otvarajte vrata često, i ne ostavljajte ih otvorena duže nego što je potrebno. Hrana koja se jednom odmrzne brzo propada i ne može biti ponovo zamrznuta.
- Nemojte prekoračivati rok za čuvanje, koji je naznačio proizvođač.

## Savjeti za hlađenje svježe hrane

Kako biste dobili najbolji učinak:

- Ne čuvajte vruću hranu ili tečnosti koje isparavaju u frižideru
- Pokrijte ili uvijte hranu, naročito ako ima jak miris
- Sve vrste: uvijte u polietilenske kese i stavite na staklene police iznad fioke za povrće.
- Radi sigurnosti, hranu na ovaj način čuvajte jedan dan, najviše dva.
- Kuhana hrana, hladna jela, itd...: treba ih pokriti i mogu se odložiti na bilo koju policu.
- Voće i povrće: treba da bude temeljno oprano i odloženo u fioke, namenjene za njihovo čuvanje.
- Buter i sir: treba da budu stavljeni u specijalne posude koje ne propuštaju vazduh, ili zavijeni u aluminijumske folije ili polietilenske kese kako bi se uklonilo što više vazduha.
- Boce s mlijekom/jogurtom: treba da budu zatvorene i da se čuvaju u policama na vratima.
- Banane, krompir, luk i bijeli luk, ukoliko nisu zapakovani, ne smiju biti čuvani u frižideru..

## Čišćenje

Iz higijenskih razloga unutrašnjost uređaja, uključujući i unutrašnje elemente, treba čistiti redovno.

### ! OPREZ!

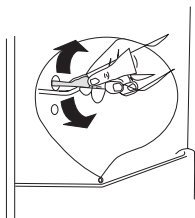
Uređaj ne smije biti povezan strujom tokom čišćenja. Postoji opasnost od strujnog udara! Prije čišćenja uređaja, isključite ga i prekinite dotok električne energije, ili isključite automatsku sklopku ili osigurač.

Uređaj nikako ne čistite paročistačem. Vлага može da se sakupi u električnim komponentama, opasnost od strujnog udara! Vrela isparenja mogu dovesti do oštećenja plastičnih dijelova. Uređaj mora biti suh prije ponovne upotrebe..

**VAŽNO!** Eterična ulja i organski rastvarači mogu nagristi plastične dijelove, na primjer limunov sok, ili sok od pomorandžine kore, karboksilne kiseline, sredstva za čišćenje koja sadrže sirćetnu kiselinu.

## Čišćenje odvoda

Kako biste izbjegli da odleđena voda ulazi u frižider, povremeno očistite odvod na zadnjoj strani dijela za hlađenje. Koristite sredstvo za čišćenje, kako biste očistili rupu kako je prikazano na slici.



- Ne dozvolite da ovakve supstance dođu u kontakt sa dijelovima uređaja.
- Nemojte koristiti abrazivna sredstva za čišćenje
- Uklonite hranu iz zamrzivača. Hranu čuvajte na hladnom mjestu, i dobro je pokrijte.
- Isključite uređaj i prekinite dotok električne energije, ili isključite automatsku sklopku ili osigurač.
- Očistite uređaj i unutrašnje elemente tkaninom i mlakom vodom. Nakon čišćenja isperite čistom vodom i osušite krpom.
- Nakon što sve bude suho, ponovo uključite uređaj.

## Otapanje zamrzivača

- Vremenom će dio za zamrzavanje biti prekriven slojem leda. Njega treba ukloniti. Nikad ne koristite oštre metalne alate da biste skinuli led sa isparivača, budući da ga tako možete oštetiti.
- Međutim, ukoliko je sloj leda veoma deo sa unutrašnje strane, potpuni proces odleđivanja treba obaviti na sljedeći način:
- prekinite napajanje uređaja strujom;
- uklonite svu hranu iz uređaja, umotajte je u nekoliko slojeva novina i odložite je na hladno mjesto;
- držite vrata otvorena, i postavite ne previše duboku posudu ispod uređaja, kako bi se tu sakupljala odleđena voda;
- kada proces odleđivanja bude gotov, temeljno osušite unutrašnjost, ponovo povežite uređaj na napajanje.

## Menjanje sijalice

**OPREZ!**

Unutrašnje svjetlo je tipa LED. Kako biste uklonili sijalicu, molimo vas da kontaktirate kvalifikovanog majstora..



## RJEŠAVANJE PROBLEMA

**OPREZ!**

Prije rešavanja problema, prekinite napajanje električnom energijom. Samo kvalifikovani električar ili kompetentna osoba treba da riješi problem koji nije naveden u ovom uputstvu.

**VAŽNO!** Postoje određeni zvukovi, koje uređaj proizvodi tokom normalne upotrebe (kompresor, rashladni dio uređaja).

Problem	Mogući uzrok	Rješenje
Uređaj ne radi	Regulator temperature je postavljen na "0".	Postavite regulator temperature na neki drugi broj, kako biste uključili uređaj.
	Uređaj nije priključen na strujno kolo.	Utaknite utikač.
	Osigurač je ispaao ili je neispravan.	Provjerite osigurač, zamijenite ga ako je potrebno.
	Utičnica je neispravna.	Kvarove utikača treba da popravi električar.
Hrana je pretopla.	Temperatura nije pravilno podešena.	Molimo vas, pogledajte odjeljak za osnovni nivo temperature.
	Vrata su bila otvorena duže vremena.	Držite vrata otvorenim samo onoliko, koliko je potrebno.
	Velika količina tople hrane je stavljena u uređaj u poslednja 24 sata.	Podesite regulator temperature na privremeno na nižu temperaturu.
	Uređaj je blizu izvora toplote.	Molimo vas, pogledajte odeljak za lokaciju i instalaciju.
Uređaj previše hladi	Regulator temperature je podešen na hladno.	Podesite regulator temperature na privremeno na višu temperaturu
Neobični zvukovi	Uređaj nije nivelisan.	Ponovo podesite nožice.
	Uređaj dodiruje zid ili druge predmete.	Malo pomjerite uređaj.
	Dio, kao što je cjevovod na zadnjoj strani uređaja, dodiruje druge dijelove uređaja ili zid.	Ukoliko je potrebno, pažljivo uklonite dio koji predstavlja prepreku.
Voda na podu	Odvod je blokiran.	Pogledajte odjeljak za čišćenje.
Ploča sa strane je vruća	Kondenzator je unutar ploče.	To je normalno.



## ИНФОРМАЦИЯ ЗА БЕЗОПАСНОСТ

---

В интерес на Вашата безопасност и за да осигурите правилната употреба, преди да инсталирате и използвате уреда за първи път, прочетете внимателно това ръководство за експлоатация, включително съветите и предупрежденията, съдържащи се в него. За да избегнете ненужни грешки и инциденти, е важно да се уверите, че всички хора, които използват уреда, са добре запознати с принципа на неговата работа и функциите за безопасност. Запазете тези инструкции и се уверете, че те ще бъдат предадени заедно с уреда, ако бъде преместен или продаден, така че всеки, който го използва по време на експлоатационния му живот, да бъде правилно информиран за употребата и безопасността на уреда.

Заради Вашата лична безопасност и тази на имуществото Ви, спазвайте предпазните мерки в тези инструкции за употреба, тъй като производителят не носи отговорност за щети, причинени от пропуск.

### Безопасност на децата и уязвимите лица

- Този уред може да се използва от деца на възраст от 8 и повече години и лица с намалени физически, сетивни или психически способности или с недостатъчно опит и познания, ако те са под наблюдение или са получили инструкции относно безопасното използване на уреда и са разбрали свързаните опасности.
- Деца на възраст между 3 и 8 години може да поставят предмети и да вземат предмети от този уред.
- Децата трябва да бъдат наблюдавани, за да се уверите, че те не си играят с уреда.
- Потребителското почистване и поддръжка не трябва да се извършват от деца, освен ако не са на възраст 8 години и повече и са под наблюдение.
- Съхранявайте опаковъчните материали далеч от деца. Съществува риск от задушаване.
- Ако решите повече да не използвате устройството, изключете го от контакта, отрежете хранящия кабел (възможно най-близо до устройството) и отстранете вратата, за да предотвратите токов удар или възможността играещи си деца да се затворят в устройството.
- Ако този уред разполага с магнитно уплътнение на вратата, което е заменило по-старо устройство с пружинна брава (резе) за вратата или капака, уверете се, че тази пружина е отстранена, преди да изхвърлите стария уред. Това ще предотврати превръщането му в смъртен капан за някое дете.



## Обща безопасност

**⚠ ПРЕДУПРЕЖДЕНИЕ!** Пазете вентилационните отвори в корпуса на хладилника или вградената конструкция от запушване или покриване.

**⚠ ПРЕДУПРЕЖДЕНИЕ!** Не използвайте механични устройства или други устройства, за да ускорите процеса на размразяване, различни от тези, препоръчани от производителя на устройството.

**⚠ ПРЕДУПРЕЖДЕНИЕ!** Внимавайте да не повредите охладителната система.

**⚠ ПРЕДУПРЕЖДЕНИЕ!** Не използвайте други електрически устройства (като машини за производство на сладолед) в хладилника, освен ако те не са одобрени от производителя за тази цел.

**⚠ ПРЕДУПРЕЖДЕНИЕ!** Не докосвайте осветителната крушка, ако е била включена за дълъг период от време, защото може да е много гореща.<sup>1</sup>

**⚠ ПРЕДУПРЕЖДЕНИЕ!** Когато монтирате устройството, уверете се, че нищо не притиска захранващия кабел и той не е повреден.

**⚠ ПРЕДУПРЕЖДЕНИЕ!** Не поставяйте няколко преносими разклонители или преносими захранващи устройства зад устройството.

- Не съхранявайте взривоопасни вещества, като аерозолни опаковки със запалими газове в това устройство.
- Хладилният агент, изобутан (R600a), се съдържа в охладителната система на устройството, той представлява природен газ с високо ниво на екологична съвместимост, но е изключително запалим.
- Уверете се, че по време на транспортирането или монтажа не са повредени компоненти на охладителната система на уреда.
  - Избягвайте близост с открит пламък и източници на запалване
  - Щателно проветрявайте помещението, в което се намира уредът
- Опасно е да променят спецификациите или модифицирате уреда по какъвто и да е начин. Всяка повреда на захранващия кабел може да причини късо съединение, пожар и/или токов удар.
- Този уред е предназначен за битова употреба и за подобни приложения, като например:
  - кухненски помещения за персонала в магазини, офиси и други работни помещения;
  - селскостопански къщи и от клиенти в хотели, мотели и други помещения, предназначени за временно пребиваване;
  - места, които предоставят услуга нощувка със закуска;
  - кетъринг и подобни нетърговски приложения.

<sup>1</sup> Ако в устройството е налично осветление.

**⚠ ПРЕДУПРЕЖДЕНИЕ!** Всички електрически компоненти (щепсел, захранващ кабел, компресор и т.н.) трябва да бъдат подменяни само от оторизиран сервизен техник или квалифициран персонал.

**⚠ ПРЕДУПРЕЖДЕНИЕ!** Електрическата крушка, доставена с този уред, е „крушка със специално предназначение“, използваема само с доставения уред. Тази „крушка със специално предназначение“ не може да се използва за битово осветление.<sup>1</sup>

- Захранващият кабел не трябва да се удължава.
- Уверете се, че щепселът от задната страна на уреда, не е счупен или повреден. Счупен или повреден щепсел може да причини прегряване и пожар.
- Уверете се, че захранващият кабел на уреда е лесно достъпен.
- Не издърпвайте захранващия кабел.
- Ако контактът за захранващия щепсел е разхлабен, не включвайте щепсела. Съществува опасност от токов удар или пожар.
- Уредът не трябва да работи без лампата.
- Този уред е тежък. Трябва да се внимава при преместването му.
- Не изваждайте и не докосвайте храна от фризерното отделение, ако ръцете Ви са влажни/мокри, тъй като това може да причини ожулвания на кожата или измръзване.
- Избягвайте продължително излагане на уреда на пряка слънчева светлина.

## Ежедневна употреба

- Не поставяйте горещи предмети върху пластмасовите части на уреда.
- Не поставяйте храна непосредствено до задната стена.
- Замразените храни не трябва да се замразяват повторно, след като са били размразени.<sup>2</sup>
- Съхранявайте предварително опаковани замразени храни в съответствие с инструкциите на производителя на замразените храни.<sup>2</sup>
- Препоръките за съхранение от производителите на уреда трябва да се спазват стриктно. Следвайте съответните инструкции.
- Не поставяйте газирани напитки във фризерното отделение, тъй като при замръзването се създава налягане, което може да доведе до счупване на опаковката и да доведе до повреда на уреда.
- Ледените близалки могат да причинят измръзване, ако се консумират веднага след изваждането им от уреда.<sup>2</sup> За да избегнете замърсяване на храната, следвайте тези инструкции.

<sup>1</sup> Ако в устройството е налично осветление.

<sup>2</sup> Ако в устройството е налично фризерно отделение.

- Отварянето на вратата за по-продължително време може да доведе до значително повишаване на температурата в отделенията на уреда.
- Почиствайте редовно повърхностите, които влизат в контакт с храната, както и достъпните части на дренажната система.
- Почиствайте резервоарите за вода, ако не са били използвани в продължение на 48 часа; промийте водната система, свързана към водопровода, ако водата не е била сменяна в продължение на 5 дни.
- Съхранявайте суровото месо и риба в хладилника в подходящи съдове, така че да не влиза в контакт с останалата храна или да капе върху нея.
- Отделенията за замразени храни, маркирани с две звезди (ако има такива в уреда), са подходящи за съхранение на предварително замразени храни, за съхранение или приготвяне на сладолед и за приготвяне на кубчета лед.
- Отделенията, маркирани с една, две и три звезди (ако има такива в уреда), не са подходящи за замразяване на пресни храни.
- Ако уредът няма да бъде ползван за продължителен период от време, изключете го, размразете, почистете и го подсушете, а след това оставете вратата на уреда отворена, за да предотвратите появата на мухъл в уреда.

## Поддръжка и почистване

- Преди поддръжка изключете уреда и изключете главния щепсел от контакта.
- Не почиствайте уреда с помощта на метални предмети.
- Не използвайте остри предмети за отстраняване на лед от уреда. Използвайте пластмасови стъргалки.<sup>2</sup>
- Редовно проверявайте дренажната система в хладилника за наличие на размразена вода. Ако е необходимо, почистете дренажната система. Ако дренажната система е запушена, водата ще се събира в долната част на уреда.<sup>3</sup>

## Монтаж

- **ВАЖНО!** За да свържете уреда към електрическата мрежа, следвайте внимателно инструкциите, дадени в конкретните части на ръководството.
- Разопакувайте уреда и го проверете за повреди. Не свързвайте уреда към електрическата мрежа, ако е повреден. Веднага съобщете за евентуални щети на мястото, където сте го купили. В този случай пазете опаковката на уреда.
- Препоръчително е да изчакате поне четири часа, преди да свържете уреда, за да може маслото да изтече обратно в компресора.

<sup>2</sup> Ако в устройството е налично фризерно отделение.

<sup>3</sup> Ако в устройството е налично отделение за съхранение на прясна храна.

- Необходимо е да се осигури адекватен въздушен поток около уреда, липсата му може да доведе до прегряване. За да постигнете достатъчна вентилация, следвайте инструкциите относно монтажа.
- Където е възможно, трябва да се постави дистанционер между уреда и стената, за да се избегне докосване или захващане на горещи части (компресор, кондензатор), за да се избегнат възможни изгаряния.
- Уредът не трябва да се намира близо до отоплителни радиатори или готварски печки.
- Уверете се, че щепселът на захранването е лесно достъпен дори след инсталирането на уреда


## Обслужване

- Всяко обслужване на уреда, което изисква работа по електрическата част, трябва да се извършва от квалифициран електротехник или компетентно лице.
- Този уред трябва да се обслужва от оторизиран сервизен център и да се използват само оригинални резервни части.

## Икономия на енергия

- Не поставяйте гореща храна в уреда;
- Не опаковайте цялата храна заедно в един пакет, тъй като това предотвратява циркулацията на въздуха;
- Уверете се, че храната не опира в задната част на отделението (ята);
- Ако токът спре, не отваряйте вратата на хладилника;
- Не отваряйте често вратите;
- Не дръжте вратата (ите) отворени дълго време;
- Не настройвайте термостата на изключително ниски температури
- Всички допълнителни елементи, като чекмеджета, рафтове, стелажи във вратата на устройството, трябва да се държат на място, за да се намали консумацията на енергия.

## Опазване на околната среда

 Този уред не съдържа газове, които могат да навредят на озоновия слой, нито в охладителната система, нито в изолационните материали. Уредът не трябва да се изхвърля с битови отпадъци или градския боклук. Изолационната пяна съдържа запалими газове: устройството трябва да се отстранява от употреба в съответствие с разпоредбите за този тип уреди, издадени от местните власти. Избягвайте да нарушавате целостта на охлаждащата част, особено частта на топлообменника. Материалите, използвани в този уред, могат да бъдат рециклирани, ако са маркирани със символа за рециклиране ♻️.



Символът върху уреда или върху опаковката показва, че този уред не може да бъде третиран като битов отпадък. Вместо това трябва да бъде отнесен до подходящия пункт за събиране за рециклиране на електрическо и електронно оборудване. Уверявайки се, че този уред е правилно отстранен от употреба, ще помогнете за предотвратяване на потенциални негативни последствия за околната среда и човешкото здраве, които в противен случай биха могли да бъдат причинени от неподходящо боравене с този продукт. За повече подробности относно рециклирането на този продукт, моля, свържете се с местната гражданска служба, местната организация за отстраняване от употреба на битови отпадъци или магазина, от който сте закупили продукта.

### Опаковъчен материал

Материалите, маркирани с този символ, могат да бъдат рециклирани. Изхвърлете опаковката в подходящ контейнер за събиране на отпадъци за рециклиране.

### Отстраняване от употреба на уреда

1. Изключете щепсела от контакта.
2. Отрежете захранващия кабел и го изхвърлете.

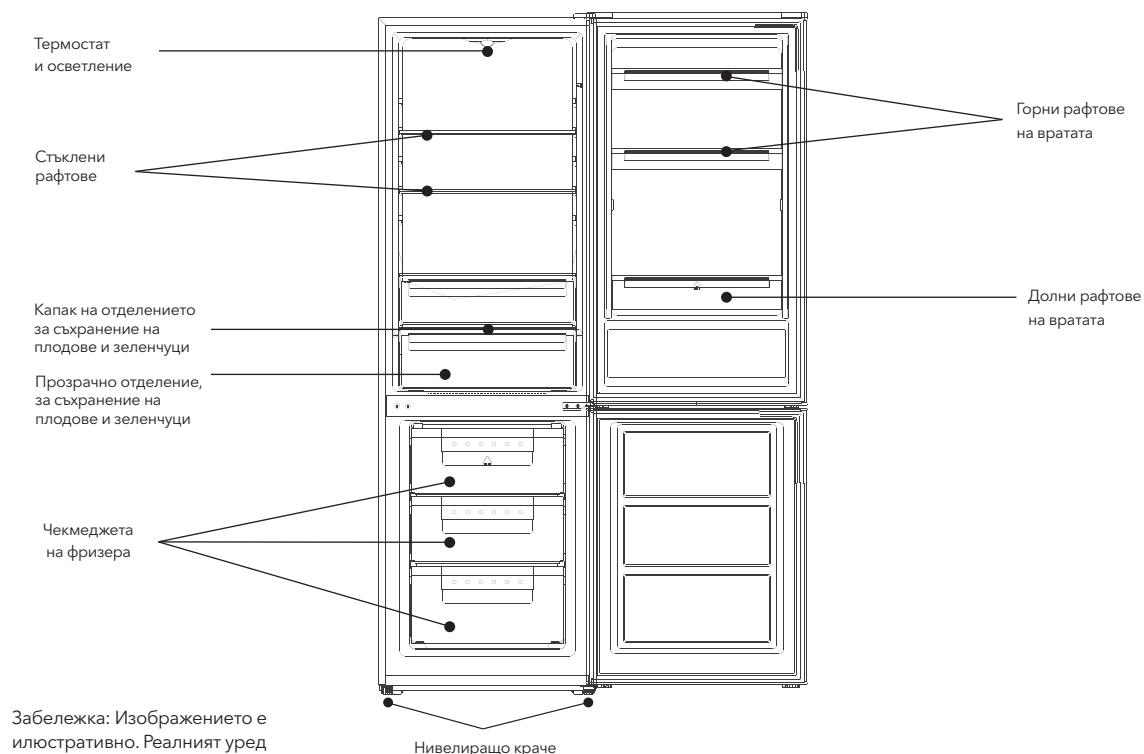


#### ПРЕДУПРЕЖДЕНИЕ!

По време на употреба, обслужване и отстраняване на уреда от употреба, моля, обърнете внимание на символът, подобен на този, показан на илюстрацията вляво, който е разположен на задната част на уреда (задния панел или компресора) и е с жълт или оранжев цвят.

Този символ е символ за опасност от пожар. В тръбите за хладилен агент и в компресора има запалими материали. Моля, пазете устройството далеч от източници на запалване по време на употреба, обслужване и изхвърляне

## ПРЕГЛЕД

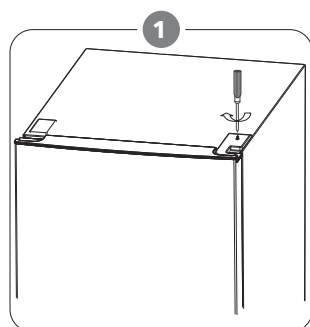


Забележка: Изображението е илюстративно. Реалният уред вероятно ще се различава.

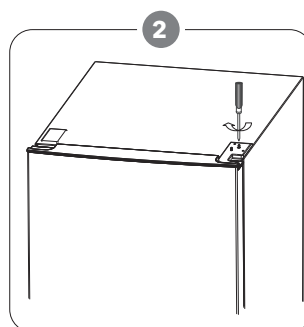
## СМЯНА НА ПОСОКАТА НА ОТВАРЯНЕ НА ВРАТАТА

Необходими инструменти: Кръстата отвертка, отвертка с плосък връх, шестограмен гаечен ключ.

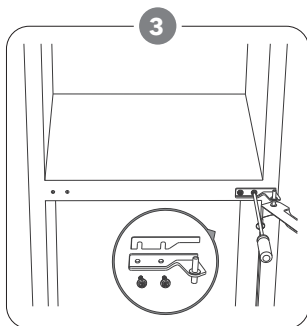
- Уверете се, че уредът е изключен и празен.
- За да свалите вратата, е необходимо да наклоните уреда назад. Трябва да подпрете уреда върху нещо твърдо, така че да не се плъзга по време на процеса на смяна на посоката на отваряне на вратата.
- Всички отстранени части трябва да бъдат запазени, за да се извърши последващия монтаж на вратата.
- Не поставяйте уреда напълно легнал, тъй като това може да повреди охладителната система.
- По-добре е 2 човека да работят с уреда по време на сглобяването.



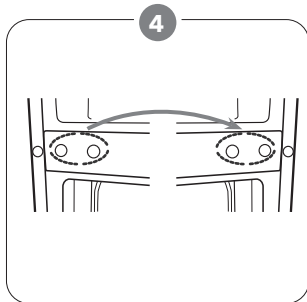
Развийте и свалете капачката на пантата.



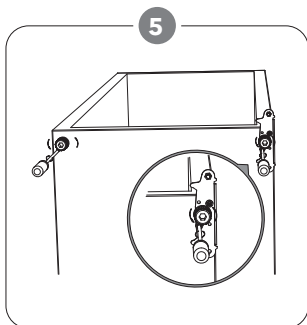
Развийте и свалете пантата.



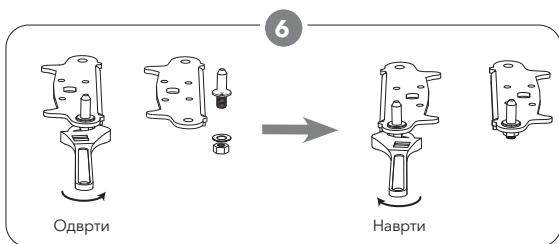
Развийте средната панта. След това повдигнете долната врата и я поставете върху мека подложка, за да избегнете надраскване.



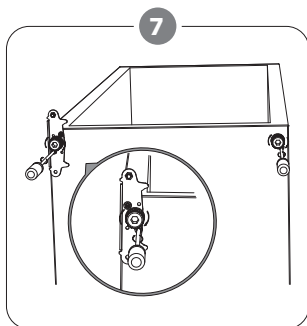
Преместете капачките на отворите на пантата от лявата страна на дясната страна.



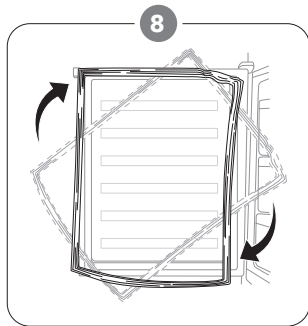
Развийте долната панта. След това отстранете регулируемите крачета от двете страни.



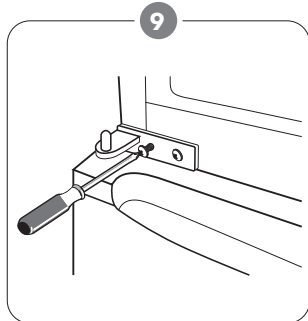
Развийте и извадете долния щифт на пантата, обърнете скобата и я преместете.



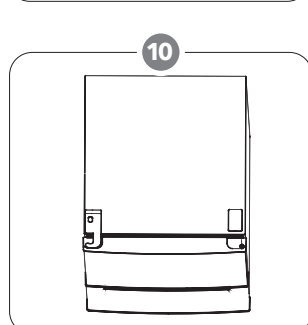
Поставете отново скобата и щифта на долната панта. Преместете двете регулируеми крачета. Преместете долната врата в правилното положение.



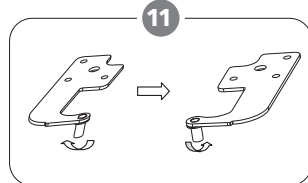
Отделете уплътненията на вратите на хладилника и фризера и след това ги прикрепете отново след като ги завъртите.



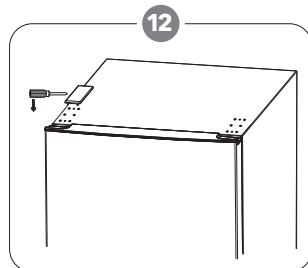
Обърнете средната панта на 180°, след което я преместете на мястото ѝ в лявата страна. Поставете средния щифт на пантата в горния отвор на долната врата, след което затегнете болтовете.



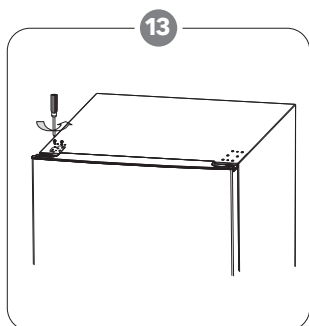
Поставете отново горната врата. Уверете се, че вратата е подравнена хоризонтално и вертикално, така че уплътненията да прилягат плтно от всички страни, преди окончателно да затегнете горната панта. След това поставете пантата и я завийте към предната част на уреда.



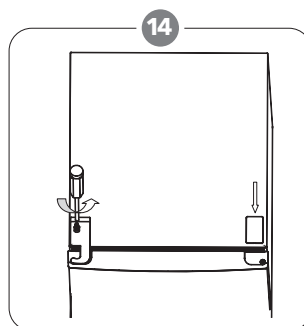
Развийте щифта на пантата и обърнете пантата, след което поставете отново щифта на пантата.



Повдигнете капака на отвора на пантата.



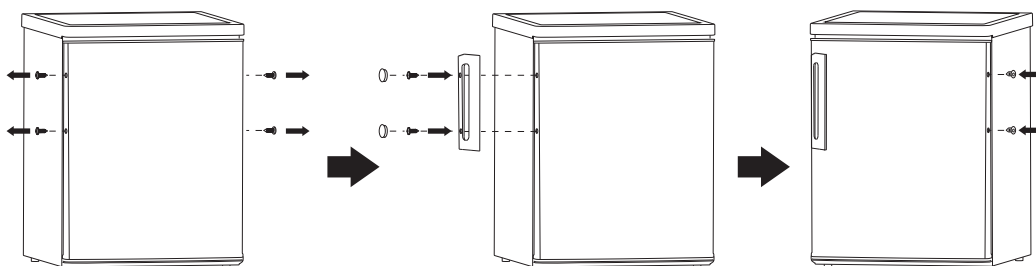
Фиксирайте пантата отляво.



Закрепете капака на пантата отляво и капака на отвора на пантата отдясно.

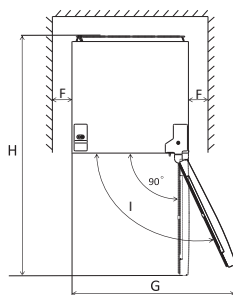
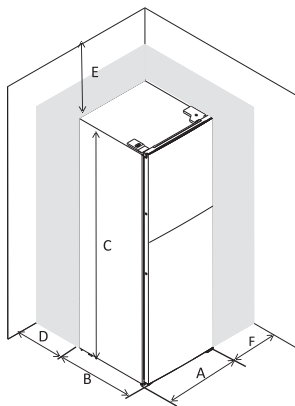
## МОНТИРАНЕ

Монтирайте външната дръжка на вратата (ако е налична външна дръжка)



### Изисквания за пространство

- Оставете достатъчно място за отваряне на вратата.
- Оставете поне 50 mm разстояние от двете страни.

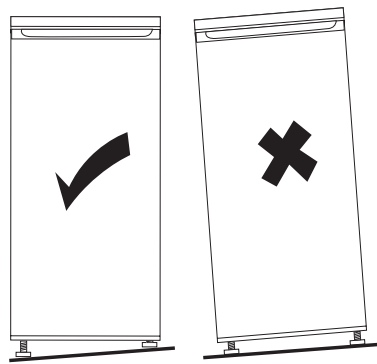
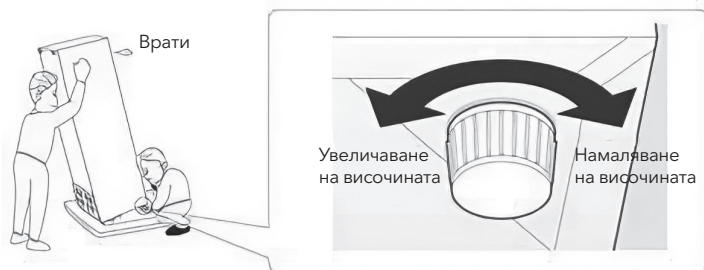


A	600
B	605
C	1858
D	min=50
E	min=50
F	min=50
G	1200
H	1205
I	135°



## Нивелиране на уреда

За да направите това, регулирайте двете регулиращи крачета в предната част на уреда. Ако уредът не е нивелиран, вратите и магнитното уплътнение няма да съвпадат правилно.



## Позициониране:

Монтирайте този уред на място, където температурата на околната среда съответства на климатичния клас, посочен на табелката с технически данни на уреда:

За хладилни уреди със следните климатични класове:

- Разширен температурен диапазон: този хладилен уред е предназначен за използване при температури на околната среда, вариращи от 10 °C до 32 °C (SN);
- Умерен температурен диапазон: този хладилен уред е предназначен за използване при температури на околната среда, вариращи от 16 °C до 32 °C (N);
- Субтропичен температурен диапазон: този хладилен уред е предназначен за използване при температури на околната среда, вариращи от 16 °C до 38 °C (ST);
- Тропичен температурен диапазон: този хладилен уред е предназначен за използване при температури на околната среда, вариращи от 16 °C до 43 °C (T);

## Местоположение

Уредът трябва да бъде монтиран далеч от източници на топлина като радиатори, котли, пряка слънчева светлина и т.н. Уверете се, че въздухът може свободно да циркулира около задната част на хладилника. За да се осигури най-добра работа, ако уредът е разположен под окачен стенов модул, минималното разстояние

между горната част на корпуса и стенното тяло трябва да бъде най-малко 50 mm. В идеалния случай, обаче, уредът не трябва да бъде разположен под окачени стенини модули. Адекватното нивелиране се осигурява от едно или повече регулируеми крачета в основата на корпуса.

Този хладилен уред не е предназначен да се използва като вграден уред.

### ПРЕДУПРЕЖДЕНИЕ!

Трябва да осигурите възможност за изключване на уреда от електрическата мрежа; Следователно щепселът трябва да бъде лесно достъпен след монтажа.

## Електрическо свързване

Преди да включите уреда в мрежата, уверете се, че напрежението и честотата, показани на табелката с данни, съответстват на Вашето битово захранване. Този уред трябва да бъде заземен. За тази цел захранващият кабел е снабден с контакт. Ако битовият контакт не е заземен, свържете уреда към отделно заземяване в съответствие с действащите разпоредби; като се консултирате с квалифициран електротехник.

Производителят не носи никаква отговорност, ако не бъдат спазени горните превантивни мерки. Този уред отговаря на изискванията на ЕИО. Посоки на отваряне на вратата:

## ЕЖЕДНЕВНА УПОТРЕБА

### Първа употреба

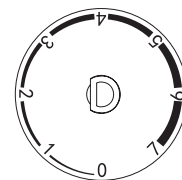
#### Почистване на вътрешността на уреда

Преди да използвате уреда за първи път, почистете вътрешността и всички вътрешни елементи с хладка вода и неутрален сапун, за да премахнете типичната миризма на нов уред и след това го изсушете старателно.

**ВАЖНО!** Не използвайте препарати или абразивни агенти, тъй като те могат да повредят покритието.

### Настройка на температурата

- Включете уреда. Вътрешната температура се управлява от термостат. Има 8 нива на настройка 1 е настройка за най-висока температура, 7 е за най-ниска температура и 0 е изключено.
- Уредът може да не работи на правилната температура, ако е особено горещо или ако често отваряте вратата

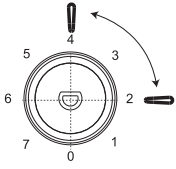
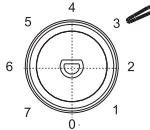
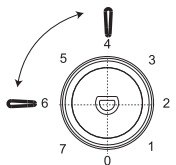


## Ежедневна употреба

Подредете различните видове храни в различни секции, съгласно данните в следващата таблица

Хладилни отделения	Вид храна
Врати или рафтове на вратата на охлаждащото отделение	<ul style="list-style-type: none"> <li>Храни с естествени консерванти, като конфитюри, сокове, напитки, подправки.</li> <li>Не съхранявайте нетрайни храни.</li> </ul>
Отделение за съхранение на плодове и зеленчуци (чекмедже за съхранение на салатата)	<ul style="list-style-type: none"> <li>Плодовете, билките и зеленчуците трябва да се поставят отделно в отделението за съхранение на плодове и зеленчуци.</li> <li>Не съхранявайте банани, лук, картофи, чесън в хладилника.</li> </ul>
Среден рафт на хладилника	<ul style="list-style-type: none"> <li>Млечни продукти, яйца</li> </ul>
Горен рафт на хладилника	<ul style="list-style-type: none"> <li>Храна, която не трябва да се готви, като готови за консумация храни, деликатесни меса, остатъци от храна.</li> </ul>
Чекмедже (та)/рафт на фризера	<ul style="list-style-type: none"> <li>Храни, които се съхраняват за дълъг период от време.</li> <li>Долно чекмедже/рафт за прясно месо, птици, риба.</li> <li>Средно чекмедже/рафт за замразени зеленчуци, пържени картофи.</li> <li>Горно чекмедже/рафт за сладолед, замразени плодове, замразена готвена храна</li> </ul>

## Препоръка за температурни настройки

Температура на околната среда	Фризерно отделение	Хладилно отделение
Лето	/	 <p>Настройте на 2-4</p>
Нормално	/	 <p>Настройте на 3</p>
Зима	/	 <p>Настройте на 4-6</p>

## Въздействие върху съхранението на храните

- При Препоръчителната настройка най-доброто време за съхранение в хладилника е не повече от 3 дни.
- При Препоръчителната настройка най-доброто време за съхранение във фризера е не повече от 1 месец.
- Най-доброто време за съхранение може да намалее при други температурни настройки.

## Замразяване на прясна храна

- Фризерното отделение е подходящо за замразяване на прясни храни и съхранение на замразени и дълбоко замразени храни за по-дълъг период от време.
- Поставете прясната храна, която трябва да бъде замразена, във фризерното отделение.

- Максималното количество храна, което може да бъде замразено за 24 часа, е посочено на табелката с данни.
- Процесът на замразяване продължава 24 часа: през този период не добавяйте повече храна, която да бъде замразена.

## Съхранение на замразена храна

При първо пускане в експлоатация или след дълъг период, в който уредът не е бил използван, преди да поставите храна в отделението, оставете уреда да работи поне 2 часа при висока настройка.

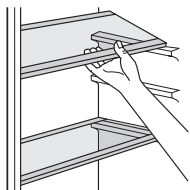
**ВАЖНО!** В случай на случайно размразяване, например при изключване на електрозахранването за по-дълъг период от този, показан в таблицата с технически характеристики в "rising time" (време за достигане на режим на работа), размразената храна трябва да се консумира бързо или да се обработи термично незабавно и след това да се замрази отново (след приготвяне)

## Размразяване

- Дълбоко замразените или замразени храни, преди да бъдат използвани, могат да се размразят в хладилното отделение или при стайна температура, в зависимост от времето, налично за тази операция.
- Малки разфасовки може дори да се готвят все още замразени, директно извадени от фризера. В този случай приготвянето на храна отнема повече време.

## Ледени кубчета

Този уред може да бъде оборудван с една или повече формички за лед за производство на ледени кубчета.



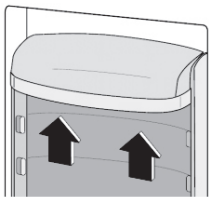
## Акcesoари

### Подвижни рафтове

Стените на хладилника имат серия от жлебове, така че рафтовете да могат да бъдат разположени по желание.

## Позициониране на рафтовете на вратата

С цел съхраняване на контейнери с храна с различни размери, рафтовете на вратите могат да бъдат поставени на различни височини. За да ги регулирате, направете следното: постепенно издърпайте рафта по посока на стрелките, докато се освободи, след което го преместете, където е необходимо.



## Полезни съвети

За да ви помогнем да се възползвате максимално от процеса на замразяване, Ви предлагаме няколко важни съвета:

- максималното количество храна, което може да бъде замразено за 24 часа, показано на табелката с данни;
- процесът на замразяване отнема 24 часа. В това време не трябва да се добавя допълнително храна, които да бъдат замразени;
- замразявайте само качествена, прясна и напълно почистена храна;
- храната трябва да бъде разделена на по-малки порции, за да се позволи по-бързо и пълно замразяване, така че впоследствие да се размрази само необходимото количество;
- увийте храната в алуминиево фолио или полиетилен и се уверете, че пакетите са херметически затворени;
- не позволявайте на прясна, незамразена храна да се допира до вече замразена храна, този начин се избягва повишаване на температурата на последната;
- нискомаслената храна се съхранява по-добре и по-дълго от мазната; солта намалява срока на годност на съхраняваната храна;
- ако кубчета лед се използват веднага след изваждането им от фризера, те могат да причинят измръзване на кожата;
- внимавайте при изваждането на рана от фризера, това може да причини измръзване на кожата; препоръчително е да отбелязвате датата на замразяване на всяка отделна опаковка, за да можете да следите времето за съхранение.

## Съвети за съхранение на замразени храни

За да получите най-добър резултат от употребата на този уред, трябва:

- уверете се, че продадената в търговска мрежа замразена храна е била съхранявана адекватно от продавача;
- да се уверите, че замразените храни се транспортират от хранителния магазин във фризера във възможно най-кратки срокове;
- не отваряйте често вратата и не я оставяйте отворена по-дълго от необходимото.
- храната, която веднъж е била размразена, бързо се разваля и не може да бъде замразена.
- Не превишавайте периода на съхранение, посочен от производителя на храната.

## Съвети за охлаждане на прясна храна

За да получите най-добър резултат:

- Не съхранявайте в хладилника гореща храна или течности, които се изпаряват
- Покривайте или увийте храната, особено ако има силна миризма
- Отнася се за всички видове храни: увийте в полиетиленови торбички и поставете на стъклените рафтове над чекмеджето за зеленчуци.
- От съображения за безопасност съхранявайте храната по този начин най-много за един или два дни.
- Готвени храни, студени ястия и т.н. ...: те трябва да бъдат покрити и могат да бъдат поставени на всеки рафт.
- Плодове и зеленчуци: трябва да се измият старателно и да се съхраняват в чекмеджета, предназначени за това.
- Масло и сирене: те трябва да се поставят в специални херметически затворени контейнери или да се опаковат в алуминиево фолио или полиетиленови торбички, като въздухът се отстрани доколкото е възможно.
- Бутилки с мляко: те трябва да имат капачка и да се съхраняват на рафтовете на вратата.
- Банани, картофи, лук и чесън, ако не са опаковани, не трябва да се съхраняват в хладилника.

## Почистване

По хигиенни причини вътрешността на уреда, включително вътрешните елементи, трябва да се почистват редовно.

### ⚠ ВНИМАНИЕ!

Уредът не трябва да е свързан към електрическата мрежа по време на почистване. Опасност от токов удар! Преди почистване изключете уреда и изключете захранването или изключете прекъсвача или предпазителя. Никога не почиствайте уреда с парочистачка. Влагата може да се натрупва в електрическите компоненти, опасност от токов удар! Горещите пари могат да доведат до повреда на пластмасовите части. Уредът трябва да бъде подсушен, преди да бъде пуснат обратно в експлоатация.

**ВАЖНО!** Етеричните масла и органичните разтворители могат да корозират пластмасови части, например лимонен сок или сок от портокалова кора, карбоксилна киселина или почистващ препарат, който съдържа оцетна киселина.

## Почистете дренажния отвор

За да избегнете преливане на размразена вода от хладилника, периодично почиствайте дренажния отвор в задната част на хладилното отделение. Използвайте почистващ препарат, за да почистите отвора, както е показано на снимката.

- Не допускайте такива вещества да влизат в контакт с частите на уреда.
- Не използвайте абразивни почистващи препарати.
- Извадете храната от фризера. Съхранявайте храната на хладно място и я покрийте добре.
- Изключете уреда и извадете щепсела от електрическата мрежа или изключете прекъсвача или предпазителя.

- Почиствайте уреда и вътрешните елементи с кърпа и хладка вода. След почистване изплакнете с чиста вода и подсушете с кърпа.
- След като всичко изсъхне, отново включете уреда.

## Размразяване на фризера

Фризерното отделение постепенно ще се покрие с лед. Той трябва да бъде премахнат. Никога не използвайте остри метални инструменти за изстъргване на леда от изпарителя, тъй като можете да го повредите. Въпреки това, когато ледът стане много дебел по вътрешната облицовка, трябва да се извърши пълно размразяване, както следва:

- издърпайте щепсела от контакта;
- извадете всичката съхранена храна, увиете я в няколко слоя вестникарска хавлия и я поставете на хладно място;
- оставете вратата отворена и поставете леген под уреда, за да събирате размразената вода;
- когато размразяването приключи, изсушете добре вътрешността

Поставете щепсела в контакта и включете уреда отново.

## Смяна на лампата

### ⚠ ВНИМАНИЕ!

Уредът е оборудван със светодиодно осветление, свържете се със сервиза в случай, че се нуждае от замяна.

- Не допускате такива вещества да влизат в контакт с частите на уреда.
- Не използвайте абразивни почистващи препарати.
- Извадете храната от фризера. Съхранявайте храната на хладно място и я покрийте добре.



## ОТСТРАНЯВАНЕ НА НЕИЗПРАВНОСТИ

### ⚠ ВНИМАНИЕ!

Преди да пристъпите към отстраняване на неизправности, изключете захранването. Само квалифициран електротехник или компетентно лице трябва да извършва отстраняване на неизправности, които не са описани в това ръководство.

**ВАЖНО!** Има определени звуци, които уредът издава при нормална употреба (компресор, циркулация на хладилния агент).

Проблем	Възможна причина	Решение
Уредът не работи	Копчето за управление на температурата е настроено на "0".	Натиснете бутона или ключа, за да включите уреда.
	Захранващият щепсел не е включен или е разхлабен	Поставете щепсела.
	Предпазителът е изгорял или е дефектен	Проверете предпазителя, сменете го, ако е необходимо.
	Контактът е дефектен	Неизправностите в контактите трябва да бъдат отстранени от електротехник.
Храната е твърде топла.	Температурата не е зададена правилно.	Вижте раздела за първоначална настройка на температурата в раздел Настройки.
	Вратата е била отворена дълго време.	Дръжте вратата отворена само колкото е необходимо.
	През последните 24 часа в устройството е поставено голямо количество топла храна.	Временно настройте регулатора на температурата на по-високи температурни стойности.
	Уредът е близо до източник на топлина.	Моля, вижте раздела за местоположение и монтаж.
Уредът охлажда твърде много	Температурата е настроена на твърде ниски стойности.	Временно настройте регулатора на температурата на по-високи температурни стойности.
Необичайни шумове	Уредът не е нивелиран	Регулирайте нивелиращите крачета отново.
	Уредът се допира до стената или други предмети.	Преместете леко уреда.
	Компонент, като например тръбите на гърба на хладилника докосва други части на уреда или стената.	Ако е необходимо, внимателно огънете съответната част.
Вода на пода	Отворът за източване на вода е блокиран.	Вижте раздел Почистване.
Страничният панел е горещ	Кондензаторът е във вътрешността на панела.	Това е нормално.

Ако неизправността възникне отново, свържете се със сервизния център.

## TURVALLISUUS

Turvallisuutesi vuoksi ja oikean käytön varmistamiseksi lue tämä käyttöohje huolellisesti ennen laitteen asentamista ja ensimmäistä käyttökertaa mukaan lukien sen ohjeet ja varoitukset. Tarpeettomien virheiden ja onnettomuuksien välttämiseksi on tärkeää varmistaa, että kaikki laitetta käyttävät henkilöt tuntevat perusteellisesti laitteen toiminnan ja turvallisuusominaisuudet. Säästä nämä käyttöohjeet ja varmista, että ne säilyvät laitteen mukana, jos se siirretään tai myydään, jotta kaikki laitetta käyttävät saavat asianmukaiset tiedot laitteen käytöstä ja turvallisuudesta koko sen käyttöiän ajan. Henkilö- ja omaisuuden turvallisuuden vuoksi noudata näiden käyttöohjeiden varoimenpiteitä, sillä valmistaja ei vastaa laiminlyönneistä aiheutuneista vahingoista.

### Lasten ja haavoittuvaisten henkilöiden turvallisuus

- Tätä laitetta voivat käyttää vähintään 8-vuotiaat lapset ja henkilöt, joiden fyysiset, sensoriset tai henkiset kyvyt ovat heikentyneet tai joilla ei ole riittävästi kokemusta tai tietoa, jos heitä valvotaan tai heille on annettu ohjeita laitteen turvallisesta käytöstä ja jos he ymmärtävät siihen liittyvät vaarat.
- 3-8-vuotiaat lapset saavat täyttää ja tyhjentää tätä laitetta.
- Lapsia on valvottava, jotta he eivät leiki laitteella.
- Lapset eivät saa tehdä puhdistusta ja huoltotoimenpiteitä, elleivät he ole vähintään 8-vuotiaita ja ellei heitä valvota.
- Pidä kaikki pakkaukset lasten ulottumattomissa. On olemassa tukehtumisvaara.
- Jos hävität laitteen, vedä pistoke pistorasiasta, katkaise liitäntäkaapeli (mahdollisimman läheltä laitetta) ja irrota ovi, jotta leikkivät lapset eivät saa sähköiskua tai sulkeudu sisään.
- Jos tässä laitteessa on magneettinen ovitiiviste, jolla korvataan vanhempi laite, jonka ovessa tai kannessa on jousilukko (salpa), varmista, että jousilukko on käyttökelvoton, ennen kuin hävität vanhan laitteen. Näin estät sen päätyksen lapsen kuolemanloukuksi.

### Yleinen turvallisuus

**VAROITUS!** Pidä laitteen kotelossa tai sisäänrakennetussa rakenteessa olevat ilmanvaihtoaukot esteettöminä.

**VAROITUS!** Älä käytä muita kuin valmistajan suosittelemia mekaanisia laitteita tai muita keinoja sulatusprosessin nopeuttamiseksi.

**VAROITUS!** Älä vahingoita kylmäainepiiriä.

**VAROITUS!** Älä käytä muita sähkölaitteita (kuten jäätelökoneita)

kylmälaitteiden sisällä, ellei valmistaja ole hyväksynyt niitä tähän tarkoitukseen.

**⚠ VAROITUS!** Älä koske lamppuun, jos se on ollut päällä pitkään, se voi olla hyvin kuuma.<sup>1</sup>

**⚠ VAROITUS!** Varmista laitetta sijoittaessasi, ettei syöttöjohto jää kiinni tai vahingoitu.

**⚠ VAROITUS!** Älä sijoita useita kannettavia pistorasioita tai kannettavia virtalähteitä laitteen takaosaan.

- Älä säilytä tässä laitteessa räjähdysalttiita aineita, kuten aerosolipurkkeja, joissa on syttyvää ponneainetta.
- Laitteen kylmäainepiirissä on kylmäaineena isobuteenia (R600a), luonnonkaasua, joka on erittäin ympäristöystävällistä, mutta joka on kuitenkin syttyvää.
- Varmista laitteen kuljetuksen ja asennuksen aikana, ettei mikään kylmäainepiirin osista vaurioidu.
  - Vältä avotulta ja sytytyslähteitä
  - Tuuleta huone, jossa laite sijaitsee, huolellisesti.
- Teknisten tietojen muuttaminen tai tämän tuotteen muokkaaminen millään tavalla on vaarallista. Johdon vaurioituminen voi aiheuttaa oikosulun, tulipalon ja/tai sähköiskun.
- Tämä laite on tarkoitettu käytettäväksi kotitalouksissa ja vastaavissa sovelluksissa, kuten esim.
  - Henkilökunnan keittiötilat kaupoissa, toimistoissa ja muissa työympäristöissä.
  - Kesäaunnoissa ja asiakaskäytössä hotelleissa, motelleissa ja muissa asuintyyppisissä ympäristöissä.
  - Bed and breakfast -tyyppisissä ympäristöissä.
  - Catering-toiminnoissa ja vastaavissa muissa kuin vähittäiskaupan sovelluksissa.

**⚠ VAROITUS!** Kaikki sähköosat (pistoke, virtajohto, kompressori jne.) on vaihdettava sertifioidun huoltoliikkeen tai pätevän huoltohenkilöstön toimesta.

**⚠ VAROITUS!** Tämän laitteen mukana toimitettu lamppu on "erityiskäyttöinen hehkulamppu", jota voidaan käyttää vain laitteen mukana toimitetussa laitteessa. Tätä "erikoiskäyttölamppua" ei voi käyttää kotitalouksien valaistukseen.<sup>1</sup>

- Älä pidennä virtajohtoa.
- Varmista, että verkkopistoke ei puristu tai vahingoitu laitteen takaosassa.

<sup>1</sup> Jos lokerossa on valaistus.

Puristunut tai vaurioitunut pistoke voi ylikuumentua ja aiheuttaa tulipalon.

- Varmista, että pääset käsiksi laitteen pistokkeeseen.
- Älä vedä virtajohdosta.
- Jos virtalähteen pistorasia on löysä, älä työnnä pistoketta sisään. On olemassa sähköiskun tai tulipalon vaara.
- Laitetta ei saa käyttää ilman lamppua.
- Tämä laite on painava. Sitä siirrettäessä on noudatettava varovaisuutta.
- Älä poista tai kosketa pakastelokeron esineitä, jos kätesi ovat kosteat/märät, sillä tämä voi aiheuttaa ihohiertymiä tai paleltumisvammoja.
- Vältä laitteen pitkäaikaista altistumista suoralle auringonvalolle.

## Päivittäinen käyttö

- Älä laita kuumia esineitä laitteen muoviosiin.
- Älä aseta elintarvikkeita suoraan takaseinää vasten.
- Pakastettuja elintarvikkeita ei saa pakastaa uudelleen sen jälkeen, kun ne on sulatettu. <sup>2</sup>
- Säilytä valmiiksi pakattuja pakastettuja elintarvikkeita valmistajan ohjeiden mukaisesti. <sup>2</sup>
- Valmistajien säilytys suosituksia on noudatettava tarkasti. Katso asiaankuuluvat ohjeet.
- Älä aseta hiilihappopitoisia tai hiilihapotettuja juomia pakastinlokeroon, koska se luo säiliöön painetta, joka voi aiheuttaa sen räjähtämisen ja vaurioittaa laitetta. <sup>2</sup>
- Jäätelöt voivat aiheuttaa paleltumia, jos niitä nautitaan suoraan laitteesta.
- Elintarvikkeiden pilaantumisen välttämiseksi noudata seuraavia ohjeita.
- Luukun avaaminen pitkiksi ajoiksi voi aiheuttaa merkittävää lämpötilan nousua laitteen osastoissa.
- Puhdista säännöllisesti pinnat, jotka voivat joutua kosketuksiin ruoan kanssa, sekä käytettävissä olevat viemäröintiosat.
- Puhdista vesisäiliöt, jos niitä ei ole käytetty 48 tuntiin; huuhtelee vesijohtoon liitetty vesijärjestelmä, jos vettä ei ole otettu 5 päivään.
- Säilytä raakaa lihaa ja kalaa sopivissa astioissa jääkaapissa siten, että ne ei pääse kosketuksiin muiden elintarvikkeiden kanssa eivätkä tipu muiden elintarvikkeiden päälle.
- Kahden tähden pakasteosastot (jos laitteessa sellainen on) soveltuvat valmiiksi pakastettujen elintarvikkeiden säilyttämiseen, jäätelön säilyttämiseen tai valmistamiseen ja jääkuutioiden valmistamiseen.
- Yhden, kahden ja kolmen tähden osastot (jos laitteessa sellainen on) eivät sovellu tuoreiden elintarvikkeiden pakastamiseen.

<sup>2</sup> Jos laitteessa on pakastinlokero.

- Jos laite jätetään tyhjäksi pitkäksi aikaa, sammuta, sulata, puhdista ja kuivaa laite ja jätä ovi auki, jotta laitteeseen ei pääse muodostumaan hometta.

## Ylläpito ja puhdistaminen

- Sammuta laite ennen huoltoa ja irrota pistoke pistorasiasta.
- Älä puhdista laitetta metalliesineillä.
- Älä käytä teräviä esineitä jään poistamiseen laitteesta. Käytä muovikaavinta.<sup>2</sup>
- Tarkasta säännöllisesti jääkaapin viemärinti sulatusveden varalta. Puhdista viemäri tarvittaessa. Jos viemäri on tukossa, vesi kerääntyy laitteen pohjalle.<sup>3</sup>

## Asennus

- **TÄRKEÄÄ!** Noudata sähköliitännässä huolellisesti annettuja ohjeita.
- Pura laite pakkauksesta ja tarkista, onko siinä vaurioita. Älä kytke laitetta, jos se on vaurioitunut. Ilmoita mahdollisista vaurioista välittömästi ostopaikkaan. Säilytä ostopakkaus.
- On suositeltavaa odottaa vähintään neljä tuntia ennen laitteen kytkemistä, jotta öljy pääsee virtaamaan takaisin kompressoriin.
- Laitteen ympärillä on huolehdittava riittävästä ilmankierrosta, sillä sen puuttuminen johtaa ylikuumentumiseen. Riittävän ilmanvaihdon aikaansaamiseksi noudata asennusta koskevia ohjeita.
- Mahdollisuuksien mukaan tuotteen välikappaleiden tulisi olla seinää vasten, jotta vältetään lämpimiin osiin (kompressori, lauhdutin) koskeminen tai niihin tarttuminen mahdollisten palovammojen välttämiseksi.
- Laitetta ei saa sijoittaa pattereiden tai liesien läheisyyteen.
- Varmista, että verkkopistoke on saavutettavissa laitteen asennuksen jälkeen.

## Huolto

- Kaikkien laitteen huoltoon tarvittavien sähkötöiden on oltava pätevän sähköasentajan tai pätevän henkilön tekemiä.
- Tämä tuote on huollettava valtuutetussa huoltokeskuksessa, ja siinä saa käyttää vain aitoja varaosia.

## Energiansäästö

- Älä laita kuumaa ruokaa laitteeseen.
- Älä pakkaa elintarvikkeita tiiviisti yhteen, sillä se estää ilman kiertämistä.
- Varmista, että ruoka ei kosketa lokeron (lokeroiden) takaosaa.
- Jos sähköt katkeavat, älä avaa ovea (ovia).
- Älä avaa ovea (ovia) usein.




<sup>2</sup> Jos laitteessa on pakastelokero.



<sup>3</sup> Jos laitteessa on ruoansäilytyslokero.



- Älä pidä ovea (ovia) auki pitkään.
- Älä aseta termostaattia liian matalaan asetukseen.
- Kaikki lisävarusteet, kuten laatikot, hyllyt, yms. tulisi pitää paikallaan pienemmän energiankulutuksen vuoksi.

## Ympäristönsuojelu

 Tämä laite ei sisällä otsonikerrosta vahingoittavia kaasuja kylmäainepiirissä eikä eristysmateriaaleissa. Laitetta ei saa hävittää kotitalousjätteen mukana. Eristysvaaho sisältää syttyviä kaasuja: laite on hävitettävä paikallisilta viranomaisilta saatavien laitemääräysten mukaisesti. Vältä jäähdytysyksikön, erityisesti lämmönvaihtimen, vahingoittamista. Kuvakkeella  merkityt osat voidaan kierrättää.  merkityt osat voidaan kierrättää.

 Tuotteessa tai sen pakkauksessa oleva symboli osoittaa, että tuotetta ei saa käsitellä kotitalousjätteenä. Sen sijaan se on vietävä asianmukaiseen  keräyspisteeseen sähkölaitteiden ja elektroniikkalaitteiden kierrätystä varten. Varmistamalla, että tämä tuote hävitetään oikein, autat välttämään mahdollisia kielteisiä seurauksia ympäristölle ja ihmisten terveydelle, joita tämän tuotteen epäasianmukainen jätteenkäsittely voisi muuten aiheuttaa. Tarkempia tietoja tämän tuotteen kierrätyksestä saat paikallisviranomaisilta tai liikkeestä, josta ostit tuotteen.

## Pakkausmateriaalit

Kierrätysymbolin sisältävät materiaalit ovat kierrätettäviä. Hävitä pakkaus sopivaan keräysastiaan kierrätystä varten.

## Laitteen hävittäminen

1. Irrota verkkopistoke pistorasiasta.
2. Katkaise verkkokaapeli ja hävitä se

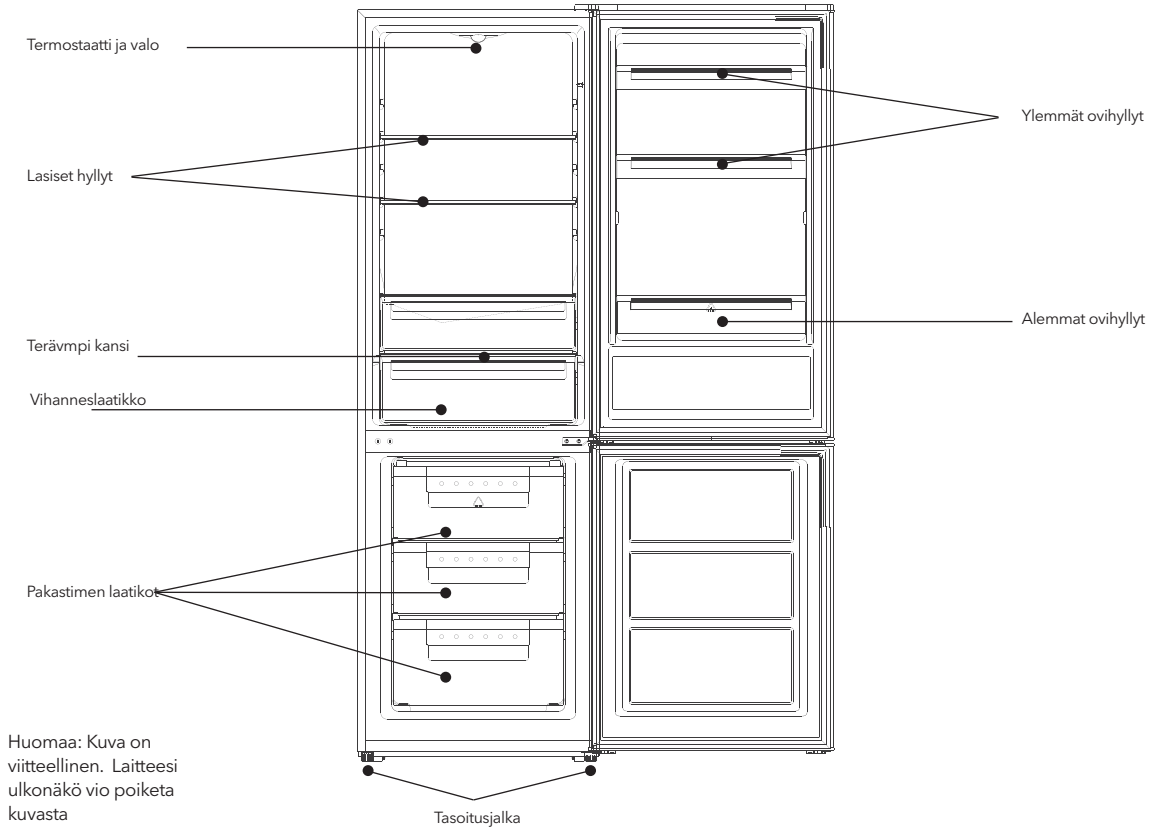


### **VAROITUS!**

Huomioi oheinen kuvake käytön, huollon ja hävittämisen aikana (kuvake esiintyy laitteen takana ja on väriltään oranssi ja musta). Kuvake varoittaa tulipalon vaarasta. Laite sisältää tulenarkoja aineita.

Pidä tulenlähteet loitolla käytön, huollon ja hävittämisen aikana.

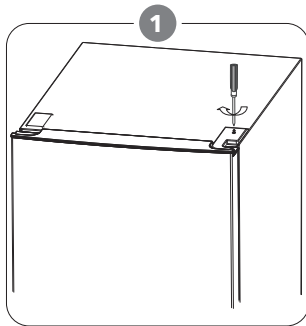
# YLEISKATSAUS



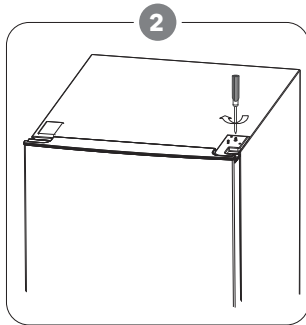
# OVEN KÄTISYYDEN MUUTTAMINEN

Tarvittavat työkalut: Ristipääruuvimeisseli, talttapääruuvimeisseli, jakoavain.

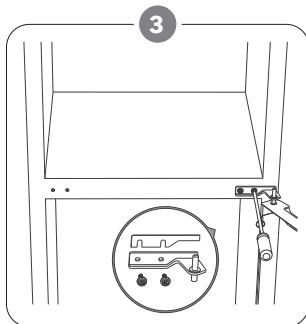
- Varmista, että laite on irrotettu pistorasiasta ja tyhjä.
- Oven irrottamiseksi laite on kallistettava taaksepäin. Laite kannattaa asettaa tukevalle alustalle, jotta se ei liu'u oven kääntämisen aikana.
- Kaikki irrotetut osat on säilytettävä oven uudelleenasennusta varten.
- Älä aseta yksikköä makaamaan vaakatasoon, sillä se voi vahingoittaa jäähdytysjärjestelmää.
- On suositeltavaa, että 2 henkilöä käsittelee yksikköä kokoamisen aikana.



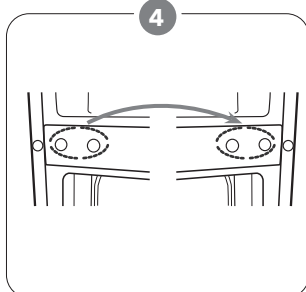
1 Irrota yläsaranan suojus varovasti talttapäisellä ruuvimeisselillä.



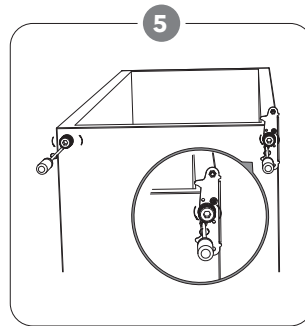
2 Irrota yläsaranan ristipääruuvimeisselillä.



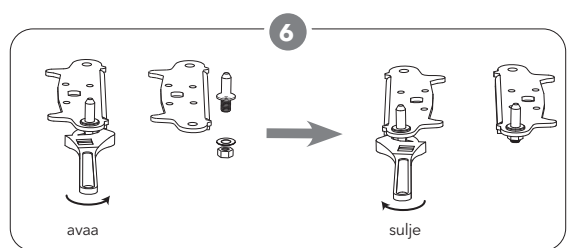
3 Ruuvaa keskimäinen sarana irti. Nosta sitten alaovi ja aseta se alustalle naarmuuntumisen välttämiseksi.



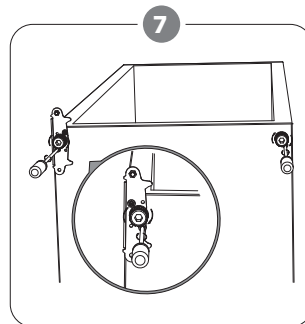
4 Siirrä sarana-aukkojen suojukset vasemmalta puolelta oikealle puolelle.



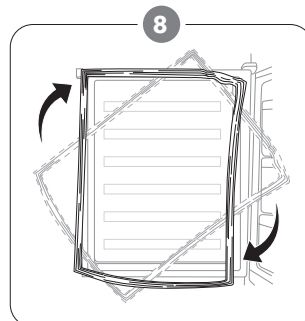
5 Ruuvaa alasarana irti. Irrota sitten säädettävät jalat molemmilta puolilta.



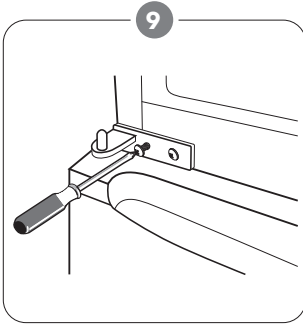
6 Ruuvaa alempi saranatappi irti, käännä kiinnike ympäri ja aseta se takaisin paikalleen.



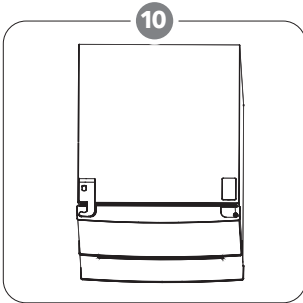
7 Asenna kiinnike takaisin paikalleen alempaan saranatappiin. Aseta molemmat säädettävät jalat takaisin paikalleen. Siirrä alaovi oikeaan asentoon.



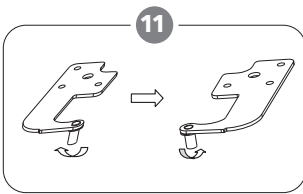
8 Irrota jääkaapin ja pakastimen oviivisteet ja kiinnitä ne kääntämisen jälkeen.



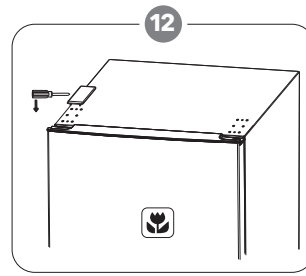
9  
Käännä keskimmäistä saranaa 180° ja siirrä se sitten vasemmalle. Aseta keskimmäinen saranatappi alaoven yläreikään ja kiristä pultit.



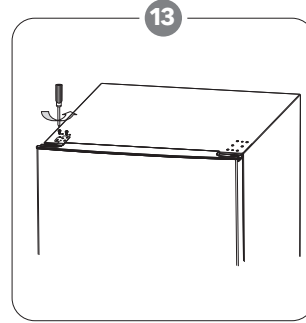
10  
Aseta ylempi ovi takaisin paikalleen. Varmista, että ovi on kohdistettu vaakaja pystysuoraan siten, että tiivisteet ovat kiinni kaikilta sivuilta, ennen kuin kiristät lopullisesti yläsaranan. Aseta sitten sarana paikoilleen ja ruuvaa se kiinni laitteen etuosaan.



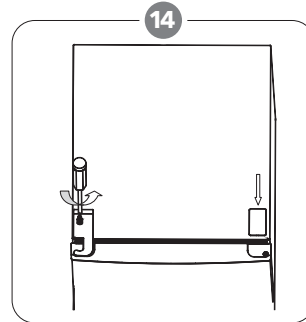
11  
Unscrew the hinge pin and reverse the hinge, then reinstall the hinge pin.



12  
Irrota sarana-aukon kansi.



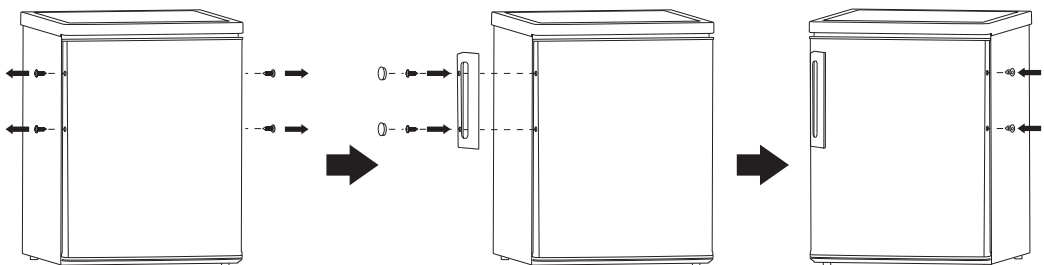
13  
Fix the hinge on the left.



14  
Kiinnitä saranan suojus vasemmalle ja sarana-aukon suojus oikealle.

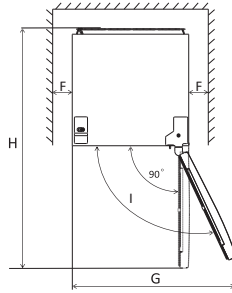
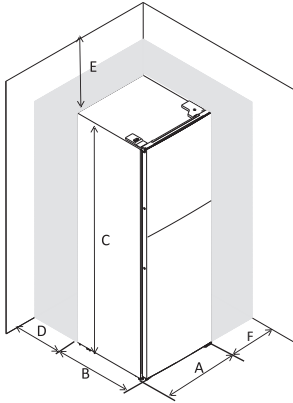
## ASENNUS

Asenna oven ulkoinen kahva (jos sellainen on olemassa).



## Tilavaatimus

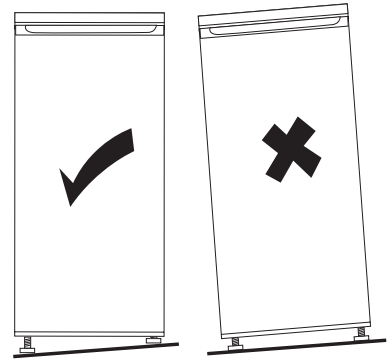
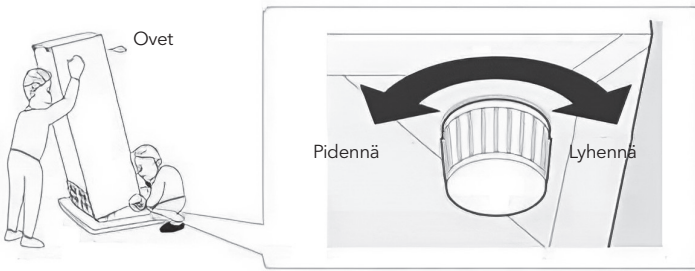
- Pidä riittävästi tilaa ovien avaamista varten.



A	600
B	605
C	1858
D	min=50
E	min=50
F	min=50
G	1200
H	1205
I	135°

## Yksikön suoristaminen

Tätä varten säädä laitteen etuosassa olevia kahta tasoitusjalkaa. Jos yksikkö ei ole vaakatasossa, ovet ja magneettitiivisteet eivät kohdistu kunnolla.



## Sijoittaminen

Asenna tämä laite paikkaan, jossa ympäristön lämpötila vastaa laitteen tyyppikilvessä ilmoitettua ilmastoluokkaa:

Ilmastoluokka	Ympäriöivä lämpötila
SN	+10 °C - +32 °C
N	+16 °C - +32 °C
ST	+16 °C - +38 °C
T	+16 °C - +43 °C

## Paikka

Laitte on asennettava kauas lämmönlähteistä, kuten lämpöpattereista, kattiloista, suorasta auringonvalosta jne. Varmista, että ilma pääsee kiertämään vapaasti kaapin takaosassa parhaan suorituskyvyn varmistamiseksi. Jos laite sijoitetaan ulkonevan seinäyksikön alle, kaapin yläosan ja seinäyksikön välisen etäisyyden on oltava vähintään 50 mm. Ihannetapauksessa laitetta ei kuitenkaan tulisi sijoittaa ulkonevien seinäyksiköiden alle. Tarkka tasoitus varmistetaan yhdellä tai useammalla säädettävällä jalalla laitteen pohjassa.

## VAROITUS!

Laitte on voitava irrottaa verkkovirrasta, joten pistokkeen on oltava helposti saavutettavissa asennuksen jälkeen.

## Sähköliitäntä

Varmista ennen laitteen kytkemistä, että arvokilvessä ilmoitettu jännite ja taajuus vastaavat virtalähteesi arvoja. Laitte tulee liittää maadoitettuun pistorasiaan.

Valmistaja kieltäytyy kaikesta vastuusta, jos edellä mainittuja turvatoimia ei noudateta. Tämä laite täyttää EEC-direktiivien vaatimukset.

# PÄIVITTÄINEN KÄYTTÖ

## Ensimmäinen käyttökerta

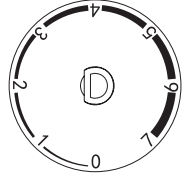
### Sisäosan puhdistaminen

Ennen kuin käytät laitetta ensimmäistä kertaa, pese sisäosat ja kaikki sisäiset lisävarusteet haalealla vedellä ja neutraalilla pesuaineella, jotta poistat upeuuden tuotteen tyyppillisen hajun, kuivaa huolellisesti.

**TÄRKEÄÄ!** Älä käytä voimakkaita pesuaineita tai hankaavia jauheita, sillä ne vahingoittavat pintaa.

## Lämpötila-asetus

- Kytke laite pistorasiaan. Sisälämpötilaa säädetään termostaatilla. Asetustasoja on 8. 1 on lämpimin asetus, 7 on kylmin asetus ja 0 on pois päältä.
- Laite ei välttämättä toimi oikeassa lämpötilassa, jos se on erityisen kuumassa ympäristössä tai jos avaat oven usein.



## Daily use

Aseta elintarvikkeet eri osastoihin alla olevan taulukon mukaisesti

Jääkaappiosasto	Ruuan tyyppi
Jääkaapin ovihylly	<ul style="list-style-type: none"> <li>• Elintarvikkeet, joissa on luonnollisia säilöntäaineita, kuten hillot, mehut, juomat, mausteet.</li> <li>• Älä säilytä pilaantuvia elintarvikkeita.</li> </ul>
Vihanneslokero	<ul style="list-style-type: none"> <li>• Hedelmät, yrtit ja vihannekset on sijoitettava erikseen vihanneslokeroon.</li> <li>• Älä säilytä banaaneja, sipuleita, perunoita ja valkosipulia jääkaapissa.</li> </ul>
Jääkaapin keskihylly	<ul style="list-style-type: none"> <li>• Maitotuotteet, kananmunat.</li> </ul>
Jääkaapin ylähylly	<ul style="list-style-type: none"> <li>• Elintarvikkeet, jotka eivät vaadi kypsennystä, kuten valmisruoat, leikkeleet, tähteet.</li> </ul>
Pakastinhylly/-lokero	<ul style="list-style-type: none"> <li>• Pitkäaikaiseen säilytykseen tarkoitetut elintarvikkeet.</li> <li>• Alin laatikko/hylly raa'alle lihalle, siipikarjalle ja kalalle.</li> <li>• Keskimmäinen laatikko/hylly pakastevihanneksille, ranskalaisille.</li> <li>• Ylin laatikko/hylly jäätelölle, pakastetuille hedelmille, pakastetuille leivonnaisille.</li> </ul>

## Lämpötila-asetukset

Ympäröivä lämpötila	Pakastinlokero	Jääkaappi
Kesä	/	<p>Asetus 2~4</p>
Normaali	/	<p>Asetus 3</p>
Talvi	/	<p>Asetus 4~6</p>

## Vaikutus elintarvikkeiden säilyvyyteen

- Suositellulla asetuksella jääkaapin paras säilytysaika on enintään 3 päivää.
- Suositellulla asetuksella pakastimen paras säilytysaika on enintään 1 kuukausi.
- Paras säilytysaika voi lyhentyä muissa asetuksissa.

## Tuoreiden elintarvikkeiden pakastaminen

- Pakastinlokero soveltuu tuoreiden elintarvikkeiden pakastamiseen sekä pakastettujen elintarvikkeiden pitkäaikaiseen säilytykseen.
- Aseta pakastettava tuore ruoka pakastelokeroon.
- Tyypikkilvessä on ilmoitettu 24 tunnissa pakastettavan ruoan enimmäismäärä.
- Pakastusprosessi kestää 24 tuntia: tänä aikana ei saa lisätä muita pakastettavia elintarvikkeita.

## Pakastettujen elintarvikkeiden säilyttäminen

Kun laite käynnistetään ensimmäistä kertaa tai kun se on ollut poissa käytöstä, anna laitteen käydä vähintään 2 tuntia korkeammalla asetuksella, ennen kuin laitat ruokaa pakastelokeroon.

**TÄRKEÄÄ!** Jos sulatus tapahtuu vahingossa, esimerkiksi kun virta on ollut pois päältä pidempään kuin teknisten ominaisuuksien taulukossa kohdassa "nousuaika" ilmoitettu arvo, sulatettu ruoka on kulutettava nopeasti tai kypsennettävä välittömästi ja pakastettava uudelleen (kypsennyksen jälkeen).

## Sulatus

- Pakastetut elintarvikkeet voidaan ennen käyttöä sulattaa jääkaappiosastossa tai huoneenlämmössä sen mukaan, kuinka paljon aikaa tähän toimenpiteeseen on käytettävissä.
- Pienet palat voidaan jopa kypsentää pakastettuna suoraan pakastimesta. Tällöin kypsennys kestää kauemmin.

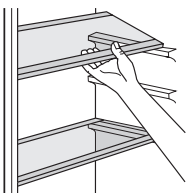
## Jääpalat

Tämä laite voidaan varustaa yhdellä tai useammalla jääpalalokerolla jään tuottamiseksi.

## Lisävarusteet

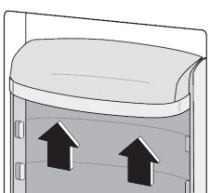
### Sisrettävät hyllyt

Jääkaapin seinät on varustettu telinein, jotta hyllyt voidaan sijoittaa halutulla tavalla.



## Ovihyllyjen sijoittaminen

Erikokoisten elintarvikkeiden säilyttämistä varten ovihyllyt voidaan sijoittaa eri korkeuksille. Säädot tehdään seuraavasti: vedä hyllyä vähitellen nuolten suuntaan, kunnes se vapautuu, ja aseta se sitten uudelleen tarpeen mukaan.



## Hyödyllisiä vinkkejä

Seuraavassa on muutamia tärkeitä vinkkejä, joiden avulla voit hyödyntää pakastusprosessia parhaalla mahdollisella tavalla:

- 24 tunnin aikana pakastettavan ruoan enimmäismäärä on merkitty arvokilpeen.
- Pakastusprosessi kestää 24 tuntia. Tänä aikana ei saa lisätä muita pakastettavia elintarvikkeita.
- Pakasta vain korkealaatuisia, tuoreita ja perusteellisesti puhdistettuja elintarvikkeita.
- Elintarvikkeet on valmistettava pieninä annoksina, jotta ne voidaan pakastaa nopeasti ja kokonaan ja jotta myöhemmin voidaan sulattaa vain tarvittava määrä.
- Kääri elintarvikkeet alumiinifolioon tai muoviin ja varmista, että pakkaukset ovat ilmatiiviitä.
- Tuoreet, pakastamattomat elintarvikkeet eivät saa koskettaa jo jäätyneitä elintarvikkeita, jolloin välätään niiden lämpötilan nousu.
- Vähärasvaiset elintarvikkeet säilyvät paremmin ja pidempään kuin rasvaiset; suola lyhentää elintarvikkeiden säilyvyyttä.
- Jääpalat voivat välittömästi pakastimesta poistamisen jälkeen mahdollisesti aiheuttaa ihon paleltumisen.
- On suositeltavaa merkitä pakastuspäivämäärä jokaiseen yksittäiseen pakkaukseen, jotta säilytysaikaa voidaan seurata.

## Vihjeitä pakastettujen elintarvikkeiden säilytystä varten

Jotta saat tästä laitteesta parhaan mahdollisen hyödyn, sinun tulisi:

- varmistaa, että kaupallisesti pakastetut elintarvikkeet on varastoitu asianmukaisesti vähittäismyyjän toimesta.
- varmistaa, että pakastetut elintarvikkeet siirretään kaupasta pakastimeen mahdollisimman lyhyessä ajassa.
- älä avaa ovea usein tai jätä sitä auki pidempään kuin on ehdottoman välttämätöntä.
- sulatettu elintarvike pilaantuu nopeasti, eikä sitä voi pakastaa uudelleen.
- älä ylitä elintarvikkeiden valmistajan ilmoittamaa säilytysaikaa.

## Tuoreiden elintarvikkeiden säilyttämistä koskevia vihjeitä

Parhaan suorituskyvyn saavuttamiseksi:

- Älä säilytä lämpimiä elintarvikkeita tai haihtuvia nesteitä jääkaapissa.
- Peitä tai kääri ruoka, erityisesti jos sillä on voimakas maku.
- Liha (kaikki lajit): kääri muovipussiin ja aseta vihanneslaatikon yläpuolella oleville lasihyllyille. Säilytä tällä tavoin varmuuden vuoksi enintään yksi tai kaksi päivää.
- Kypsennetyt elintarvikkeet, kylmät ruokalajit jne.: nämä peitettävä ja ne voidaan sijoittaa mille tahansa hyllylle.
- Hedelmät ja vihannekset: puhdistettava perusteellisesti ja sijoitettava niille varattuun laatikkoon.
- Voi ja juusto: sijoitettava erityisiin ilmatiiviisiin astioihin tai käärittävä alumiinifolioon tai muovipusseihin, jotta säilöntä on mahdollisimman ilmatiivistä.
- Maitopullot: näissä on oltava korkki ja ne on säilytettävä ovihyllyillä.
- Banaaneja, perunoita, sipulia ja valkosipulia ei saa säilyttää jääkaapissa, jos niitä ei ole pakattu.

## Puhdistus

Hygieniasyistä laitteen sisätilat, sisätarvikkeet mukaan lukien, on puhdistettava säännöllisesti.

### VAROITUS!

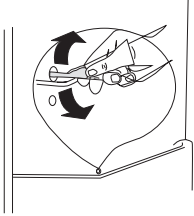
Laitetta ei saa kytkeä verkkovirtaan puhdistuksen aikana. Sähköiskun vaara! Ennen puhdistusta kytke laite pois päältä ja irrota pistoke verkkovirrasta tai kytke katkaisija tai sulake pois päältä. Älä koskaan puhdistu laitetta höyrypuhdistuslaitteella. Sähköisiin osiin voi kertyä

kosteutta, sähköiskun vaara! Kuuma höyry voi vaurioittaa muoviosia. Laitteen on oltava kuiva ennen kuin se otetaan uudelleen käyttöön.

**TÄRKEÄÄ!** Eteeriset öljyt ja orgaaniset liuottimet voivat vahingoittaa muoviosia, esim. sitruunamehu tai appelsiininkuoren neste, voihappo ja etikkahappoa sisältävät puhdistusaineet.

## Puhdista poistoaukko

Vältäaksesi sulatusveden valumisen jääkaappiin, puhdista säännöllisesti jääkaappilokeron takaosassa oleva poistoaukko. Puhdista reikä kuvan osoittamalla tavalla puhdistusvälineellä.



- Älä käytä hankaavia puhdistusaineita. Älä anna tällaisten aineiden joutua kosketuksiin laitteen osien kanssa.
- Poista elintarvikkeet pakastimesta. Säilytä ne viileässä paikassa, hyvin peitettynä.
- Kytke laite pois päältä ja irrota pistoke pistorasiasta tai kytke katkaisija tai sulake pois.
- Puhdista laite ja sisätarvikkeet liinalla ja haalealla vedellä. Puhdistuksen jälkeen pyyhi puhtaalla vedellä ja pyyhi kuivaksi.
- Kun kaikki osat ovat kuivuneet, aseta laite takaisin käyttöön.

## Pakastimen sulatus

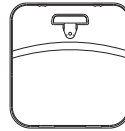
Pakastinlokero peittyi vähitellen huurteella. Tämä on poistettava. Älä koskaan käytä teräviä metallityökaluja huurteen raaputtamiseen höyrystimestä, sillä se voi vahingoittaa. Kun jääkerros muodostuu hyvin paksuksi, täydellinen sulatus on suoritettava seuraavasti:

- Vedä pistoke pistorasiasta.
- Poista kaikki säilötyt elintarvikkeet, kääri ne useaan kerrokseen sanomalehteä ja laita ne viileään paikkaan.
- Pidä ovi auki ja aseta laitteen alle astia sulatusveden keräämistä varten.
- Kun sulatus on valmis, kuivaa sisätilat huolellisesti.
- Aseta pistoke takaisin pistorasiaan, jotta laite toimisi jälleen.

## Lampun vaihtaminen

### ! VAROITUS!

Tuote on varustettu LED-valolla, ota yhteyttä asiakaspalveluun, jos haluat vaihtaa sen.





# VIANETSINTÄ

## ! VAROITUS!

Irrota laite virtalähteestä ennen vianetsintää. Ainoastaan pätevä sähköasentaja tai asiantuntija saa tehdä vianmäärittystä, joka ei sisälly tähän käyttöohjeeseen.

**TÄRKEÄÄ!** Normaalin käytön aikana kuuluu joitakin ääniä (kompessori, kylmäaineen kierto).

Ongelma	Mahdollinen syy	Ratkaisu
Laite ei toimi	Lämpötilan säätönappi on asetettu kohtaan "0".	Aseta nappi muuhun asetukseen laitteen kytkemiseksi päälle.
	Virtapistoketta ei ole kytketty tai se on löysällä.	Aseta verkkopistoke pistorasiaan.
	Sulake on palanut tai viallinen.	Tarkista sulake, vaihda tarvittaessa.
	Pistorasia on viallinen.	Pistorasian toimintahäiriöt on korjattava sähköasentajan toimesta.
Elintarvikkeet ovat liian lämpimiä	Lämpötilaa ei ole säädetty oikein.	Katso kohta "Lämpötilan asetus".
	Ovi oli pitkään auki.	Avaa ovea vain niin kauan kuin on tarpeen.
	Laitteeseen on laitettu suuri määrä lämmintä ruokaa viimeisen 24 tunnin aikana.	Käännä lämpötilan säätö tilapäisesti kylmempään asetukseen.
	Laite on lähellä lämmönlähdettä.	Katso kohta "Asennuspaikka".
Laite viilentää liikaa	Lämpötila on asetettu liian kylmäksi.	Käännä lämpötilan säätönappi tilapäisesti lämpimämpään asentoon.
Epätavallisia ääniä	Laite ei seiso tasaisesti.	Säädä jalat uudelleen.
	Laite koskettaa seinää tai muita esineitä.	Siirrä laitetta hieman.
	Laitteen takaosassa oleva osa, esim. putki, koskettaa laitteen toista osaa tai seinää.	Taivuta osa tarvittaessa varovasti pois tieltä.
Vettä lattialla	Poistoaukko on tukossa.	Katso kohta "Puhdistaminen".
Sivupaneeli on kuuma	Lauhdutin on paneelin sisällä.	Tämä on normaalia.

Jos toimintahäiriö ilmenee uudelleen, ota yhteys huoltokeskukseen.



## ΠΛΗΡΟΦΟΡΙΕΣ ΓΙΑ ΤΗΝ ΑΣΦΑΛΕΙΑ

Για την ασφάλειά σας και προκειμένου να διασφαλιστεί η ορθή χρήση, πριν από την εγκατάσταση και την πρώτη χρήση της συσκευής διαβάστε προσεκτικά το παρόν εγχειρίδιο χρήσης, συμπεριλαμβανομένων των συμβουλών και προειδοποιήσεων που περιλαμβάνονται σε αυτό. Προκειμένου να αποφεύγονται περιττά λάθη και ατυχήματα, είναι σημαντικό να διασφαλίσετε ότι όλα τα άτομα που χρησιμοποιούν τη συσκευή είναι πλήρως εξοικειωμένα με τη λειτουργία και τα χαρακτηριστικά ασφαλείας της. Φυλάξτε αυτές τις οδηγίες και βεβαιωθείτε ότι συνοδεύουν τη συσκευή σε περίπτωση μετακίνησης ή πώλησής της, ούτως ώστε όλοι όσοι θα τη χρησιμοποιούν καθ' όλη τη διάρκεια του κύκλου ζωής της να ενημερώνονται σωστά για τη χρήση και την ασφαλή λειτουργία της.

Για τη διασφάλιση της ζωής και της περιουσίας, τηρείτε τις προφυλάξεις που περιέχονται σε αυτές τις οδηγίες χρήσης, καθώς ο κατασκευαστής δεν φέρει ευθύνη για ζημιές που ενδέχεται να προκληθούν λόγω παράλειψης.

### Ασφάλεια παιδιών και ευάλωτων ατόμων

- Αυτή η συσκευή μπορεί να χρησιμοποιείται από παιδιά ηλικίας 8 ετών και άνω και από άτομα με μειωμένες σωματικές, αισθητηριακές ή διανοητικές ικανότητες ή έλλειψη πείρας και γνώσης, εφόσον επιβλέπονται ή έχουν λάβει οδηγίες για την ασφαλή χρήση της συσκευής και έχουν κατανοήσει τους κινδύνους που υπάρχουν.
- Η τοποθέτηση και η αφαίρεση τροφίμων σε/από αυτή τη συσκευή επιτρέπεται από παιδιά ηλικίας από 3 έως 8 ετών.
- Τα παιδιά πρέπει να βρίσκονται υπό επίβλεψη προκειμένου να διασφαλίζεται ότι δεν παίζουν με τη συσκευή.
- Οι εργασίες καθαρισμού και συντήρησης από τον χρήστη δεν θα πρέπει να πραγματοποιούνται από παιδιά, εκτός εάν είναι ηλικίας 8 ετών και άνω και βρίσκονται υπό επίβλεψη.
- Κρατήστε όλα τα υλικά συσκευασίας μακριά από παιδιά. Υπάρχει κίνδυνος ασφυξίας.
- Για να απορρίψετε τη συσκευή, βγάλτε το φιν από την πρίζα, κόψτε το καλώδιο σύνδεσης (όσο πιο κοντά στη συσκευή μπορείτε) και αφαιρέστε την πόρτα για να αποτρέψετε τυχόν ηλεκτροπληξία ή εγκλωβισμό παιδιών που μπορεί να παίξουν με αυτή.
- Εάν αυτή η συσκευή διαθέτει μαγνητικό λάστιχο στεγανοποίησης στην πόρτα και πρόκειται να αντικαταστήσει παλαιότερη συσκευή που διαθέτει κλειδαριά με ελατήριο (μάνδαλο) στην πόρτα ή το καπάκι, φροντίστε να αχρηστεύσετε την κλειδαριά με ελατήριο προτού απορρίψετε την παλιά συσκευή. Με αυτόν τον τρόπο θα αποτραπεί ο θανάσιμος εγκλωβισμός κάποιου παιδιού.

## Γενικές οδηγίες ασφαλείας

**⚠ ΠΡΟΕΙΔΟΠΟΙΗΣΗ!** Διατηρήστε ελεύθερες τις οπές εξαερισμού, στο περίβλημα της συσκευής ή στην ενσωματωμένη δομή της, απομακρύνοντας τυχόν εμπόδια.

**⚠ ΠΡΟΕΙΔΟΠΟΙΗΣΗ!** Μην χρησιμοποιείτε μηχανικές συσκευές ή οποιαδήποτε άλλα μέσα για να επιταχύνετε τη διαδικασία απόψυξης, εκτός από αυτά που συνιστώνται από τον κατασκευαστή.

**⚠ ΠΡΟΕΙΔΟΠΟΙΗΣΗ!** Μην προκαλείτε ζημιά στο κύκλωμα ψυκτικού υγρού.

**⚠ ΠΡΟΕΙΔΟΠΟΙΗΣΗ!** Μην χρησιμοποιείτε άλλες ηλεκτρικές συσκευές (όπως παγωτομηχανές) μέσα σε ψυκτικές συσκευές, εκτός εάν έχουν εγκριθεί για τον σκοπό αυτό από τον κατασκευαστή.

**⚠ ΠΡΟΕΙΔΟΠΟΙΗΣΗ!** Μην αγγίζετε τη λάμπα εάν ήταν αναμμένη για μεγάλο χρονικό διάστημα, γιατί μπορεί να καίει.<sup>1</sup>

**⚠ ΠΡΟΕΙΔΟΠΟΙΗΣΗ!** Κατά την τοποθέτηση της συσκευής, βεβαιωθείτε ότι το καλώδιο τροφοδοσίας δεν είναι παγιδευμένο ή κατεστραμμένο.

**⚠ ΠΡΟΕΙΔΟΠΟΙΗΣΗ!** Μην τοποθετείτε φορητά πολύπριζα ή φορητά τροφοδοτικά στο πίσω μέρος της συσκευής.

- Μην αποθηκεύετε εκρηκτικές ουσίες, όπως δοχεία αεροζόλ με εύφλεκτο προωθητικό, σε αυτήν τη συσκευή.
- Το κύκλωμα ψυκτικού της συσκευής περιέχει το ψυκτικό ισοβουτένιο (R600a), ένα φυσικό αέριο με υψηλό επίπεδο περιβαλλοντικής συμβατότητας, το οποίο όμως είναι εύφλεκτο.
- Κατά τη μεταφορά και εγκατάσταση της συσκευής, βεβαιωθείτε ότι κανένα από τα εξαρτήματα του κυκλώματος ψυκτικού υγρού δεν έχει υποστεί ζημιά.
  - αποφύγετε τις γυμνές φλόγες και τις πηγές ανάφλεξης
  - αερίζετε σχολαστικά τον χώρο όπου βρίσκεται η συσκευή
- Είναι επικίνδυνο να αλλάζετε τα χαρακτηριστικά ή να τροποποιείτε αυτό το προϊόν με οποιονδήποτε τρόπο. Τυχόν ζημιά στο καλώδιο μπορεί να προκαλέσει βραχυκύκλωμα, πυρκαγιά ή/και ηλεκτροπληξία.
- Αυτή η συσκευή προορίζεται για χρήση σε οικιακές και παρόμοιες εφαρμογές όπως
  - χώροι κουζίνας προσωπικού σε καταστήματα, γραφεία και άλλους χώρους εργασίας·
  - αγροικίες και από πελάτες σε ξενοδοχεία, μοτέλ και άλλους χώρους διαμονής·
  - χώροι καταλυμάτων με πριβινό·
  - τροφοδοσία και παρόμοιες εφαρμογές μη λιανικής πώλησης

**⚠ ΠΡΟΕΙΔΟΠΟΙΗΣΗ!** Τυχόν ηλεκτρικά εξαρτήματα (βύσμα, καλώδιο τροφοδοσίας, συμπιεστής κ.λπ.) πρέπει να αντικαθίστανται από πιστοποιημένο αντιπρόσωπο σέρβις ή εξειδικευμένο προσωπικό σέρβις.

**⚠ ΠΡΟΕΙΔΟΠΟΙΗΣΗ!** Φροντίστε ώστε το φινιρίσμα του καλωδίου τροφοδοσίας να μη συνθλίβεται και να μη φθείρεται από το πίσω μέρος της συσκευής. Σε περίπτωση σύνθλιψης ή φθοράς του φινιρίσματος του καλωδίου τροφοδοσίας μπορεί να προκληθεί υπερθέρμανση ή πυρκαγιά.<sup>1</sup>

<sup>1</sup> Το καλώδιο τροφοδοσίας δεν πρέπει να επιμηκυνθεί.

- Βεβαιωθείτε ότι έχετε πρόσβαση στο φως του καλωδίου τροφοδοσίας της συσκευής.
- Μην τραβάτε το καλώδιο τροφοδοσίας.
- Εάν η πρίζα είναι χαλαρή, μην εισαγάγετε το φως σε αυτή. Υπάρχει κίνδυνος ηλεκτροπληξίας ή πυρκαγιάς.
- Δεν πρέπει να χρησιμοποιείτε τη συσκευή χωρίς τη λάμπα.
- Αυτή η συσκευή είναι βαριά. Πρέπει να προσέχετε κατά τη μεταφορά της.
- Να μην αφαιρείτε ούτε να αγγίζετε αντικείμενα από το διαμέρισμα κατάψυξης εάν τα χέρια σας είναι υγρά/βρεγμένα, καθώς μπορεί να προκληθούν εκδορές ή κρουγενή εγκαύματα στο δέρμα.
- Αποφύγετε την παρατεταμένη άμεση έκθεση της συσκευής στο ηλιακό φως.

### Καθημερινή χρήση

- Μην τοποθετείτε καυτά αντικείμενα στα πλαστικά μέρη της συσκευής.
- Τοποθετείτε τα τρόφιμα έτσι ώστε να μην έρχονται σε άμεση επαφή με το πίσω τοίχωμα.
- Κατεψυγμένα τρόφιμα που έχουν αποψυχθεί δεν πρέπει να επαναψύχονται.<sup>1</sup>
- Αποθηκεύετε τα προσυσκευασμένα κατεψυγμένα τρόφιμα σύμφωνα με τις οδηγίες του παρασκευαστή κατεψυγμένων τροφίμων.<sup>2</sup>
- Οι συστάσεις του κατασκευαστή της συσκευής σχετικά με την αποθήκευση θα πρέπει να τηρούνται αυστηρά. Ανατρέξτε στις σχετικές οδηγίες.
- Μην τοποθετείτε ανθρακούχα ή αεριούχα ποτά στο διαμέρισμα της κατάψυξης καθώς αναπτύσσεται πίεση στον περιέκτη, η οποία μπορεί να προκαλέσει έκρηξη και κατ' επέκταση ζημιά στη συσκευή.<sup>2</sup>
- Οι γρανίτες μπορούν να προκαλέσουν κρουγενή εγκαύματα εάν καταναλωθούν απευθείας από την κατάψυξη.<sup>2</sup>

Για να αποφύγετε τη μόλυνση των τροφίμων, παρακαλείσθε να ακολουθείτε τις παρακάτω οδηγίες.

- Το άνοιγμα της πόρτας για πολλή ώρα μπορεί να προκαλέσει σημαντική αύξηση της θερμοκρασίας στα διαμερίσματα της συσκευής.
- Καθαρίζετε τακτικά τις επιφάνειες που μπορούν να έρθουν σε επαφή με τα τρόφιμα και τα προσβάσιμα συστήματα αποστράγγισης.
- Καθαρίζετε τα δοχεία νερού εάν δεν έχουν χρησιμοποιηθεί για 48 ώρες. Ξεπλύνετε το σύστημα νερού που είναι συνδεδεμένο σε παροχή νερού εάν δεν έχει αντληθεί νερό για 5 ημέρες.
- Φυλάσσετε το ωμό κρέας και τα ωμά ψάρια σε κατάλληλα δοχεία στο ψυγείο, ώστε να μην έρχονται σε επαφή με άλλα τρόφιμα ούτε να στάζουν πάνω σε αυτά.
- Τα διαμερίσματα κατάψυξης δύο αστέρων (εφόσον η συσκευή διαθέτει) ενδείκνυνται για την αποθήκευση προκατεψυγμένων τροφίμων, την αποθήκευση ή παρασκευή παγωτού και την παρασκευή παγοκύβων.
- Τα διαμερίσματα ενός, δύο και τριών αστέρων (εφόσον η συσκευή διαθέτει) δεν είναι κατάλληλα για την κατάψυξη φρέσκων τροφίμων.

<sup>2</sup> Εάν υπάρχει διαμέρισμα κατάψυξης.

- Εάν η συσκευή παραμείνει κενή για μεγάλα χρονικά διαστήματα, απενεργοποιήστε την, κάντε απόψυξη, καθαρίστε την, στεγνώστε την και αφήστε την πόρτα ανοιχτή, ώστε να αποτρέψετε την ανάπτυξη μυκήτων στο εσωτερικό της.

## Φροντίδα και καθαρισμός

- Πριν από τη συντήρηση, απενεργοποιήστε τη συσκευή και αποσυνδέστε το καλώδιο τροφοδοσίας από την πρίζα.
- Μην καθαρίζετε τη συσκευή με μεταλλικά αντικείμενα.
- Μη χρησιμοποιείτε αιχμηρά αντικείμενα για την αφαίρεση πάγου από τη συσκευή. Χρησιμοποιήστε ένα πλαστικό ξέστρο.<sup>2</sup>
- Εξετάστε προσεκτικά τη σωλήνωση αποστράγγισης του ψυγείου για αποψυγμένο νερό. Εάν είναι απαραίτητο, καθαρίστε τη σωλήνωση αποστράγγισης. Εάν η αποστράγγιση είναι φραγμένη, θα συγκεντρωθεί νερό στο κάτω μέρος της συσκευής.<sup>3</sup>

## Εγκατάσταση

- **ΣΗΜΑΝΤΙΚΟ!** Για την ηλεκτρική σύνδεση, ακολουθήστε προσεκτικά τις οδηγίες που δίνονται στις σχετικές παραγράφους.
- Αφαιρέστε τη συσκευή από τη συσκευασία και ελέγξτε την για τυχόν ζημιές. Μη συνδέετε τη συσκευή αν φέρει ζημιές. Αναφέρετε αμέσως πιθανές ζημιές στο κατάστημα από το οποίο την αγοράσατε. Σε αυτήν την περίπτωση, φυλάξτε τη συσκευασία.
- Συνιστάται να περιμένετε τουλάχιστον τέσσερις ώρες προτού συνδέσετε τη συσκευή, μέχρι το λάδι να επιστρέψει στον συμπιεστή.
- Πρέπει να υπάρχει επαρκής κυκλοφορία αέρα γύρω από τη συσκευή, ειδάλλως προκαλείται υπερθέρμανση. Προκειμένου να εξασφαλιστεί ο επαρκής αερισμός της συσκευής, ακολουθήστε τις οδηγίες που σχετίζονται με την εγκατάσταση.
- Εφόσον είναι δυνατό, τα διαχωριστικά στηρίγματα του προϊόντος θα πρέπει να τοποθετούνται σε τοίχο προκειμένου να αποφευχθεί η επαφή ή το κράτημα μερών της συσκευής (συμπιεστή, συμπυκνωτή) και να προληφθεί πιθανό έγκαυμα.
- Η συσκευή δεν πρέπει να τοποθετείται κοντά σε θερμαντικά σώματα ή κουζίνες.
- Βεβαιωθείτε ότι το φινιρίσμα του καλωδίου τροφοδοσίας είναι προσβάσιμο μετά την εγκατάσταση της συσκευής.

## Σέρβις

- Τυχόν ηλεκτρολογικές εργασίες που απαιτούνται κατά το σέρβις της συσκευής θα πρέπει να εκτελούνται από ειδικευμένο ηλεκτρολόγο ή αρμόδιο πρόσωπο.
- Το σέρβις αυτού του προϊόντος πρέπει να εκτελείται από εξουσιοδοτημένο Κέντρο Σέρβις και να χρησιμοποιούνται μόνο γνήσια ανταλλακτικά.



<sup>2</sup> Εάν υπάρχει διαμέρισμα κατάψυξης.


<sup>3</sup> Εάν υπάρχει διαμέρισμα αποθήκευσης νωπών τροφίμων.

## Εξοικονόμηση ενέργειας

- Μην τοποθετείτε καυτό φαγητό στη συσκευή.
- Μη στοιβάζετε τα τρόφιμα κοντά το ένα στο άλλο, καθώς με αυτόν τον τρόπο εμποδίζεται η κυκλοφορία του αέρα.
- Βεβαιωθείτε ότι τα τρόφιμα δεν αγγίζουν το πίσω μέρος του(των) διαμερίσματος(-ων).
- Σε περίπτωση διακοπής ρεύματος, μην ανοίγετε την(τις) πόρτα(-ες).
- Μην ανοίγετε την(τις) πόρτα(-ες) συχνά.
- Μην κρατάτε την(τις) πόρτα(-ες) ανοιχτή(-ές) για πολύ μεγάλο χρονικό διάστημα.
- Μη ρυθμίζετε τον θερμοστάτη σε υπερβολικά χαμηλές θερμοκρασίες.
- Όλα τα εξαρτήματα, όπως συρτάρια και ράφια πόρτας, θα πρέπει να παραμένουν στη θέση τους προκειμένου να καταναλώνεται λιγότερη ενέργεια.

## Προστασία του Περιβάλλοντος

 Αυτή η συσκευή δεν περιέχει, είτε στο κύκλωμα ψυκτικού υγρού είτε στα μονωτικά υλικά, αέρια που θα μπορούσαν να καταστρέψουν το στρώμα του όζοντος. Η συσκευή δεν πρέπει να απορρίπτεται μαζί με αστικά απόβλητα και απορρίμματα. Ο μονωτικός αφρός περιέχει εύφλεκτα αέρια: η συσκευή απορρίπτεται σύμφωνα με τους κανονισμούς για τις συσκευές, τους οποίους μπορείτε να λάβετε από τις τοπικές αρχές. Αποφύγετε να προκαλέσετε ζημιά στη μονάδα ψύξης, ιδίως στον εναλλάκτη θερμότητας. Τα υλικά που χρησιμοποιούνται σε αυτήν τη συσκευή και φέρουν το σύμβολο  είναι ανακυκλώσιμα.

 Αυτό το σύμβολο στο προϊόν ή στη συσκευασία του υποδεικνύει ότι το συγκεκριμένο προϊόν δεν πρέπει να απορρίπτεται ως οικιακό απόβλητο.

Αντίθετως, θα πρέπει να μεταφερθεί σε κατάλληλο σημείο συλλογής για την ανακύκλωση ηλεκτρικού και ηλεκτρονικού εξοπλισμού. Φροντίζοντας για την ορθή απόρριψη του προϊόντος αυτού, συμβάλλετε στην αποτροπή πιθανών αρνητικών επιπτώσεων στο περιβάλλον και την ανθρώπινη υγεία, οι οποίες ενδέχεται, σε αντίθετη περίπτωση, να προκύψουν από την ακατάλληλη απόρριψη αυτού του προϊόντος. Για αναλυτικότερες πληροφορίες σχετικά με την ανακύκλωση αυτού του προϊόντος, επικοινωνήστε με το δημοτικό συμβούλιο, την υπηρεσία αποκομιδής οικιακών απορριμμάτων της περιοχής σας ή το κατάστημα από το οποίο αγοράσατε το προϊόν.

### Υλικά συσκευασίας

Τα υλικά που φέρουν το σύμβολο είναι ανακυκλώσιμα.

Απορρίψτε τη συσκευασία σε κατάλληλο κάδο συλλογής για ανακύκλωση.

### Απόρριψη της συσκευής

1. Αποσυνδέστε το φινιρίσμα του καλωδίου τροφοδοσίας από την πρίζα.
2. Κόψτε το καλώδιο τροφοδοσίας και απορρίψτε το.

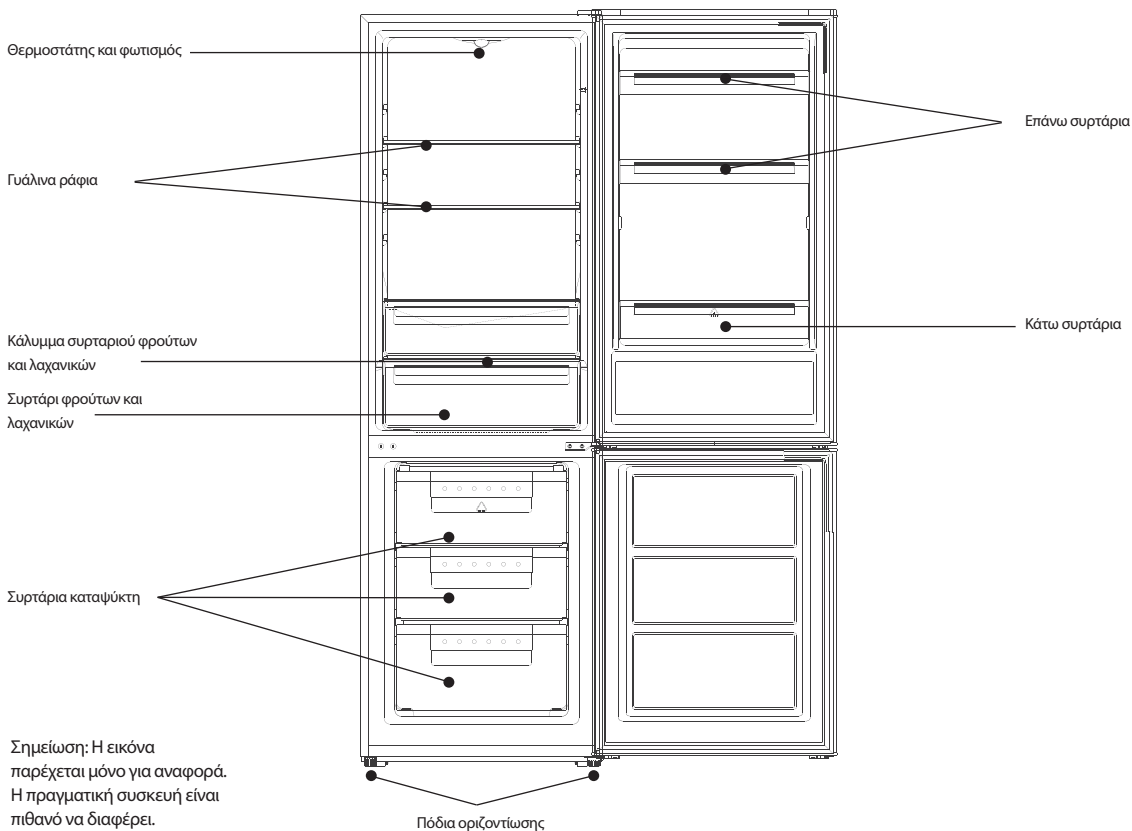


### ΠΡΟΕΙΔΟΠΟΙΗΣΗ!

Κατά τη χρήση, συντήρηση και απόρριψη της συσκευής, δώστε προσοχή σε ένα σύμβολο παρόμοιο με αυτό που απεικονίζεται στα αριστερά, το οποίο βρίσκεται στο πίσω μέρος της συσκευής (πίσω πλαίσιο ή συμπιεστής) και έχει κίτρινο ή πορτοκαλί χρώμα.

Είναι σύμβολο προειδοποίησης για τον κίνδυνο πυρκαγιάς. Στους σωλήνες ψυκτικού υγρού και στον συμπιεστή υπάρχουν εύφλεκτα υλικά. Κατά τη χρήση, το σέρβις και την απόρριψη, παραμένετε μακριά από πηγές ανάφλεξης.

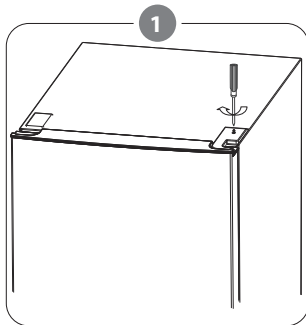
## ΕΠΙΣΚΟΠΗΣΗ



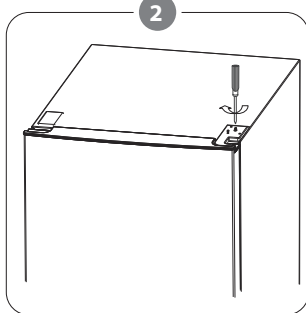
# ΑΝΑΣΤΡΟΦΗ ΦΟΡΑΣ ΠΟΡΤΑΣ

Απαιτούμενα εργαλεία: Κατσαβίδι Phillips, κατσαβίδι με επίπεδη μύτη, εξαγωνικό κλειδί.

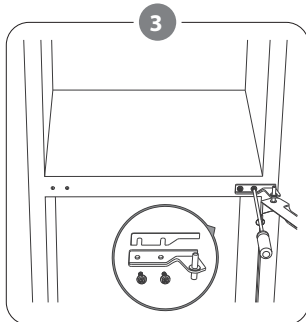
- Βεβαιωθείτε ότι η συσκευή έχει αποσυνδεθεί από την τροφοδοσία και ότι είναι άδεια.
- Για την αφαίρεση της πόρτας, η συσκευή πρέπει να γείρει προς τα πίσω. Θα πρέπει να στηρίξετε τη συσκευή σε στέρεη επιφάνεια, ώστε να μη γλιστρήσει κατά τη διαδικασία αναστροφής της πόρτας.
- Όλα τα εξαρτήματα που αφαιρέθηκαν πρέπει να φυλαχτούν για την επανατοποθέτηση της πόρτας.
- Μην τοποθετείτε τη συσκευή οριζοντίως, διότι μπορεί να προκληθεί ζημιά στο σύστημα ψυκτικού.
- Συνιστάται η συναρμολόγηση της συσκευής να γίνεται από 2 άτομα.



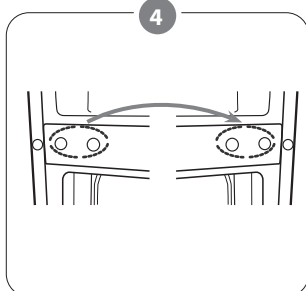
Ξεβιδώστε και αφαιρέστε το κάλυμμα του μεντεσέ.



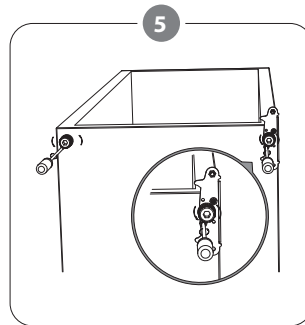
Ξεβιδώστε και αφαιρέστε τον μεντεσέ.



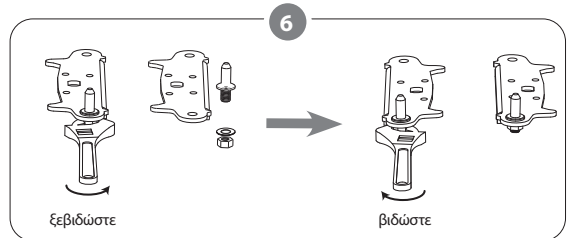
Ξεβιδώστε τον μεσαίο μεντεσέ. Κατόπιν, ανασηκώστε την κάτω πόρτα και τοποθετήστε την σε μαλακή επιφάνεια για να μη γρατζουνιστεί.



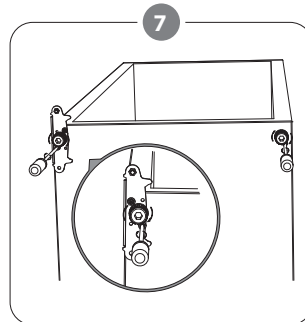
Μετακινήστε το κάλυμμα των οπών του μεντεσέ από την αριστερή στη δεξιά πλευρά.



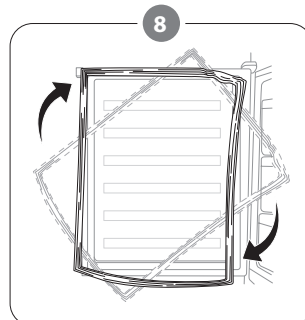
Ξεβιδώστε τον μεντεσέ της κάτω πλευράς. Κατόπιν, αφαιρέστε τα ρυθμιζόμενα πόδια και από τις δύο πλευρές.



Ξεβιδώστε και αφαιρέστε τον κάτω πείρο του μεντεσέ, αναποδογυρίστε τον βραχίονα και επανατοποθετήστε τον.

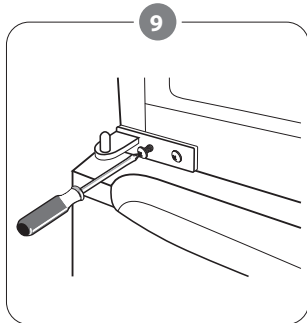


Επανατοποθετήστε τον βραχίονα βιδώνοντας τον πείρο του κάτω μεντεσέ. Αντικαταστήστε και τα δύο ρυθμιζόμενα πόδια. Επανατοποθετήστε την κάτω πόρτα.

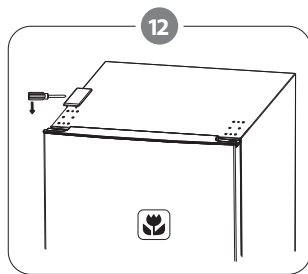


Αφαιρέστε τα λάστιχα στεγανοποίησης της πόρτας του ψυγείου και της κατάψυξης και στη συνέχεια επανατοποθετήστε τα, αφού πρώτα τα περιστρέψετε.

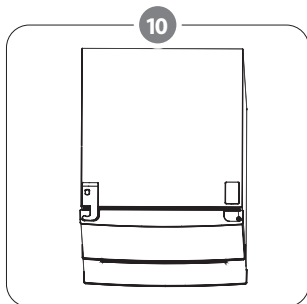




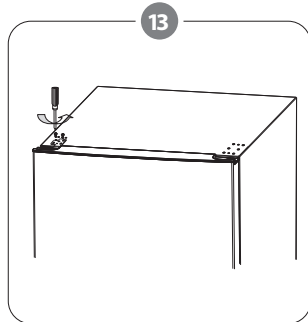
9  
Γυρίστε τον μεσαίο μεντεσέ κατά 180ο και στη συνέχεια μεταφέρετέ τον στην αντίστοιχη θέση στην αριστερή πλευρά. Τοποθετήστε τον πείρο του μεσαίου μεντεσέ στην άνω οπή της κάτω πόρτας, κατόπιν σφίξτε τα μπουλόνια.



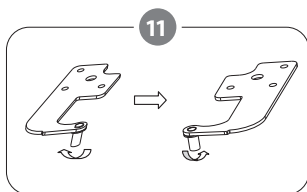
12  
Αφαιρέστε το κάλυμμα των οπών του μεντεσέ.



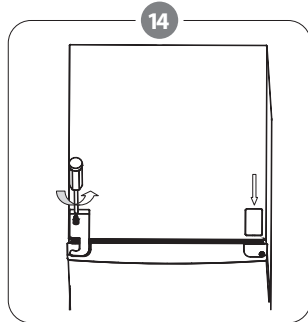
10  
Επανατοποθετήστε την επάνω πόρτα στη θέση της. Βεβαιωθείτε ότι η πόρτα είναι ευθυγραμμισμένη οριζόντια και κάθετα έτσι ώστε το λάστιχο να εφαρμόζει σε όλες τις πλευρές, προτού σφίξετε τον επάνω μεντεσέ. Εισαγάγετε τον μεντεσέ και βιδώστε τον στο μπροστινό μέρος της συσκευής.



13  
Προσαρτήστε τον μεντεσέ στην αριστερή πλευρά.



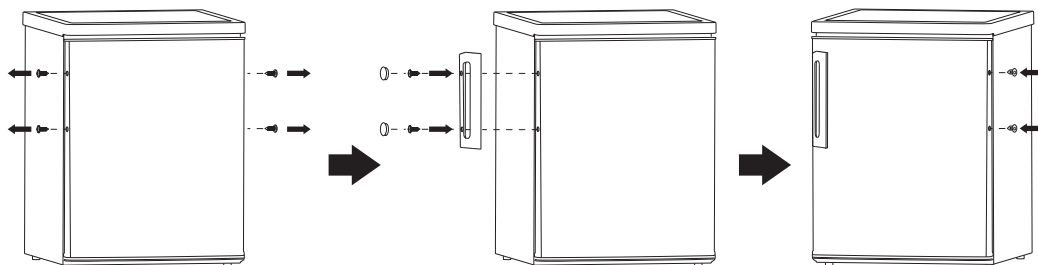
11  
Ξεβιδώστε τον πείρο του μεντεσέ και αναποδογυρίστε τον μεντεσέ. Επανατοποθετήστε τον πείρο του μεντεσέ.



14  
Τοποθετήστε το κάλυμμα του μεντεσέ στην αριστερή πλευρά και το κάλυμμα των οπών του μεντεσέ στη δεξιά πλευρά.

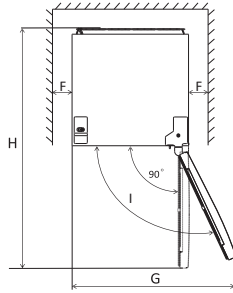
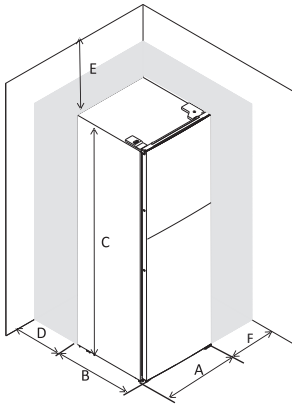
## ΕΓΚΑΤΑΣΤΑΣΗ

Εγκαταστήστε την εξωτερική λαβή της πόρτας (εάν υπάρχει εξωτερική λαβή)



## Απαιτούμενος χώρος

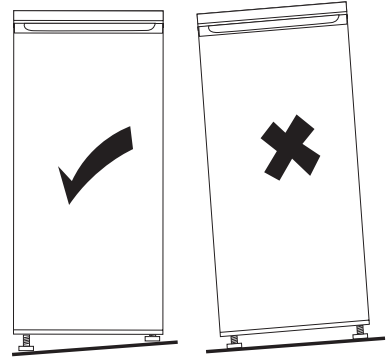
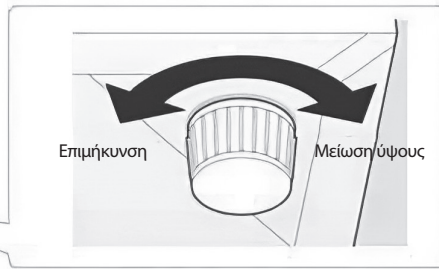
- Εξασφαλίστε αρκετό χώρο ώστε η πόρτα να μπορεί να ανοίξει.
- Διατηρείτε απόσταση τουλάχιστον 50mm εκατέρωθεν της συσκευής και στην πίσω πλευρά αυτής.



A	600
B	605
C	1858
D	min=50
E	min=50
F	min=50
G	1200
H	1205
I	135κ

## Οριζοντίωση της συσκευής

Για να γίνει αυτό, ρυθμίστε τα δύο πόδια οριζοντίωσης στο μπροστινό μέρος της συσκευής. Αν η συσκευή δεν είναι επίπεδη, τα μαγνητικά λάστιχα δεν θα ευθυγραμμιστούν και δεν θα καλύψουν σωστά τις πόρτες.



## Τοποθέτηση

Εγκαταστήστε τη συσκευή σε θέση όπου η θερμοκρασία περιβάλλοντος αντιστοιχεί στην κλιματική κλάση που αναφέρεται στην ετικέτα ονομαστικών χαρακτηριστικών της συσκευής:

Για ψυκτικές συσκευές με κλιματική κλάση:

- εκτεταμένη εύκρατη: αυτή η ψυκτική συσκευή προορίζεται για χρήση σε θερμοκρασίες περιβάλλοντος που κυμαίνονται από 10 °C έως 32 °C (SN).
- εύκρατη: αυτή η ψυκτική συσκευή προορίζεται για χρήση σε θερμοκρασίες περιβάλλοντος που κυμαίνονται από 16 °C έως 32 °C (N).
- υποτροπική: αυτή η ψυκτική συσκευή προορίζεται για χρήση σε θερμοκρασίες περιβάλλοντος που κυμαίνονται από 16 °C έως 38 °C (ST).
- τροπική: αυτή η ψυκτική συσκευή προορίζεται για χρήση σε θερμοκρασίες περιβάλλοντος που κυμαίνονται από 16 °C έως 43 °C (T);

## Θέση

Η συσκευή θα πρέπει να εγκατασταθεί μακριά από πηγές θερμότητας, όπως θερμαντικά σώματα, λέβητες, άμεσο ηλιακό φως κ.λπ. Βεβαιωθείτε ότι δεν παρεμποδίζεται η ελεύθερη κυκλοφορία του αέρα στο πίσω μέρος του θαλάμου προκειμένου να εξασφαλίσετε τη βέλτιστη απόδοση της συσκευής. Εάν η συσκευή τοποθετηθεί κάτω από αναρτημένη μονάδα τοίχου, πρέπει να υπάρχει ελάχιστη απόσταση 50 mm μεταξύ του άνω μέρους του θαλάμου και της επίτοιχης συσκευής. Ωστόσο, η συσκευή

ιδανικά δεν θα πρέπει να τοποθετείται κάτω από αναρτημένες συσκευές τοίχου. Η ακριβής ευθυγράμμιση εξασφαλίζεται με ένα ή περισσότερα ρυθμιζόμενα πόδια στη βάση του θαλάμου. Αυτή η ψυκτική συσκευή δεν προορίζεται για χρήση ως εντοιχισμένη μονάδα.

### ⚠ ΠΡΟΕΙΔΟΠΟΙΗΣΗ!

Πρέπει να είναι δυνατή η αποσύνδεση της συσκευής από την παροχή ρεύματος. Για τον λόγο αυτό, το φως πρέπει να είναι εύκολα προσβάσιμο μετά την εγκατάσταση.

## Ηλεκτρική σύνδεση

Προτού συνδέσετε το φως, βεβαιωθείτε ότι η τάση και η συχνότητα που αναγράφονται στην ετικέτα ονομαστικών χαρακτηριστικών αντιστοιχούν στην οικιακή παροχή ρεύματος. Η συσκευή χρειάζεται γείωση. Το φως του καλωδίου τροφοδοσίας παρέχεται με επαφή για τον σκοπό αυτό. Εάν η πρίζα δεν είναι γειωμένη, συνδέστε τη συσκευή σε χωριστή γείωση σύμφωνα με τους ισχύοντες κανονισμούς, αφού συμβουλευτείτε έναν εξειδικευμένο ηλεκτρολόγο.

Ο κατασκευαστής δεν φέρει καμία ευθύνη σε περίπτωση μη τήρησης των παραπάνω προφυλάξεων ασφαλείας. Αυτή η συσκευή συμμορφώνεται με τις οδηγίες ΕΚ.

# ΚΑΘΗΜΕΡΙΝΗ ΧΡΗΣΗ

## Πρώτη χρήση

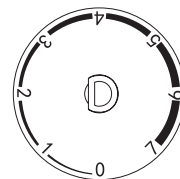
### Καθαρισμός του εσωτερικού

Προτού χρησιμοποιήσετε τη συσκευή για πρώτη φορά, πλύνετε το εσωτερικό της και όλα τα εξαρτήματα που βρίσκονται σε αυτό με χλιαρό νερό και σαπούνι με ουδέτερο pH προκειμένου να εξουδετερωθεί η χαρακτηριστική μυρωδιά που έχουν τα ολοκαίνουργια προϊόντα. Στη συνέχεια, στεγνώστε καλά.

**ΣΗΜΑΝΤΙΚΟ!** Μη χρησιμοποιείτε απορρυπαντικά ή λειαντικές σκόνες, καθώς μπορεί να καταστρέψουν το φινιρίσμα.

## Ρύθμιση θερμοκρασίας

- Συνδέστε τη συσκευή σας στην πρίζα. Η εσωτερική θερμοκρασία ελέγχεται από έναν θερμοστάτη. Υπάρχουν 8 επίπεδα ρύθμισης: το 1 αντιστοιχεί στη θερμότερη ρύθμιση, το 7 στην ψυχρότερη ρύθμιση και το 0 στην απενεργοποίηση.
- Η συσκευή ενδέχεται να μη λειτουργεί υπό τη σωστή θερμοκρασία, εάν βρίσκεται σε ιδιαίτερα ζεστό περιβάλλον ή εάν ανοίγετε συχνά την πόρτα



## Καθημερινή χρήση

Τοποθετήστε τα τρόφιμα στα διαμερίσματα ανάλογα με τον τύπο τους, σύμφωνα με τον παρακάτω πίνακα

Διαμερίσματα του ψυγείου	Τύπος τροφίμων
Πόρτα ή συρτάρι πόρτας ψυγείου	<ul style="list-style-type: none"> <li>• Τρόφιμα με φυσικά συντηρητικά, όπως μαρμελάδες, χυμοί, ποτά, καρυκεύματα.</li> <li>• Μην αποθηκεύετε ευπαθή τρόφιμα.</li> </ul>
Συρτάρι για φρούτα και λαχανικά (συρτάρι σαλατικών)	<ul style="list-style-type: none"> <li>• Τα φρούτα, τα μυρωδικά και τα λαχανικά πρέπει να τοποθετούνται χωριστά στο ειδικό συρτάρι.</li> <li>• Μην αποθηκεύετε μπανάνες, κρεμμύδια, πατάτες και σκόρδο στο ψυγείο</li> </ul>
Ράφι ψυγείου - μεσαίο	<ul style="list-style-type: none"> <li>• Γαλακτοκομικά προϊόντα, αυγά</li> </ul>
Ράφι ψυγείου - άνω	<ul style="list-style-type: none"> <li>• Τρόφιμα που δεν χρειάζονται μαγείρεμα, όπως τρόφιμα έτοιμα προς κατανάλωση, αλλαντικά, περισσεύματα.</li> </ul>
Συρτάρι(-α)/ ράφι κατάψυξης	<ul style="list-style-type: none"> <li>• Τρόφιμα μακράς διάρκειας.</li> <li>• Κάτω συρτάρι/ράφι για ωμό κρέας, πουλερικά, ψάρια.</li> <li>• Μεσαίο συρτάρι/ράφι για κατεψυγμένα λαχανικά, κομμένες πατάτες.</li> <li>• Άνω συρτάρι/ράφι για παγωτό, κατεψυγμένα φρούτα, κατεψυγμένα μαγειρεμένα προϊόντα.</li> </ul>

## Σύσταση ρύθμισης της θερμοκρασίας

Θερμοκρασία περιβάλλοντος	Διαμέρισμα κατάψυξης	Διαμέρισμα ψύξης
Καλοκαίρι	/	<p>Ρυθμίστε στο 2~4</p>
Normal (Κανονικό)	/	<p>Ρυθμίστε στο 3</p>
Χειμώνας	/	<p>Ρυθμίστε στο 4~6</p>

## Επιπτώσεις στην αποθήκευση τροφίμων

- Στη Συνιστώμενη Ρύθμιση, ο ιδανικός χρόνος αποθήκευσης στο ψυγείο δεν πρέπει να υπερβαίνει τις 3 ημέρες.
- Στη συνιστώμενη ρύθμιση, ο ιδανικός χρόνος αποθήκευσης στην κατάψυξη δεν πρέπει να υπερβαίνει τον 1 μήνα.
- Ο ιδανικός χρόνος αποθήκευσης μπορεί να μειωθεί αν γίνουν άλλες ρυθμίσεις.

## Κατάψυξη φρέσκων τροφίμων

- Το διαμέρισμα της κατάψυξης είναι κατάλληλο για την κατάψυξη φρέσκων τροφίμων και την αποθήκευση κατεψυγμένων τροφίμων και τροφίμων βαθιάς κατάψυξης για μεγάλο χρονικό διάστημα.
- Τοποθετήστε στο διαμέρισμα κατάψυξης τα φρέσκα τρόφιμα που πρόκειται να καταψυχθούν.
- Η μέγιστη ποσότητα τροφίμων που μπορούν να καταψυχθούν σε 24 ώρες ορίζεται στην ετικέτα ονομαστικών χαρακτηριστικών.
- Η διαδικασία κατάψυξης διαρκεί 24 ώρες: σε αυτό το διάστημα μην προσθέτετε άλλα τρόφιμα για κατάψυξη.

## Αποθήκευση κατεψυγμένων τροφίμων

Κατά την πρώτη εκκίνηση ή ύστερα από μια περίοδο εκτός λειτουργίας, πριν τοποθετήσετε τρόφιμα στο διαμέρισμα, αφήστε τη συσκευή να λειτουργήσει τουλάχιστον 2 ώρες σε υψηλότερη ρύθμιση.

**ΣΗΜΑΝΤΙΚΟ!** Σε περίπτωση κατά λάθος απόψυξης, για παράδειγμα σε περίπτωση διακοπής ρεύματος για χρονικό διάστημα μεγαλύτερο από την τιμή που αναγράφεται στον πίνακα τεχνικών χαρακτηριστικών, στην ενότητα «χρόνος ανύψωσης», τα τρόφιμα που ξεπάγωσαν πρέπει να καταναλωθούν γρήγορα ή να μαγειρευτούν αμέσως και στη συνέχεια να καταψυχθούν εκ νέου (μετά το μαγείρεμα).

## Απόψυξη

- Τα βαθιάς κατάψυξης ή κατεψυγμένα τρόφιμα μπορούν, προτού καταναλωθούν, να αποψυχθούν στο ψυγείο ή σε θερμοκρασία δωματίου, ανάλογα με τον διαθέσιμο χρόνο για αυτή τη διαδικασία.
- Τα μικρά τεμάχια μπορούν να μαγειρευτούν ακόμη και κατεψυγμένα, απευθείας από την κατάψυξη. Σε αυτήν την περίπτωση, το μαγείρεμα θα διαρκέσει περισσότερο.

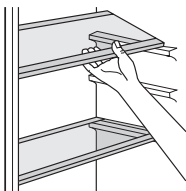
## Παγάκια

Αυτή η συσκευή μπορεί να είναι εξοπλισμένη με έναν ή περισσότερους δίσκους για παγάκια για την παραγωγή πάγου.

## Εξαρτήματα

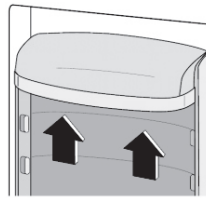
### Κινητά ράφια

Τα τοιχώματα του ψυγείου είναι εξοπλισμένα με μια σειρά οδηγούς για να μπορείτε να τοποθετείτε τα ράφια όπως επιθυμείτε.



## Τοποθέτηση συρταριών πόρτας

Για να είναι δυνατή η αποθήκευση συσκευασιών τροφίμων διαφόρων μεγεθών, τα συρτάρια των πορτών μπορούν να τοποθετηθούν σε διαφορετικά ύψη. Για να κάνετε τέτοιου είδους ρυθμίσεις, προχωρήστε ως εξής: τραβήξτε απαλά το συρτάρι προς την κατεύθυνση των βελών μέχρι να ελευθερωθεί και στη συνέχεια επανατοποθετήστε το όπως απαιτείται.



## Χρήσιμες υποδείξεις και συμβουλές

Ακολουθούν ορισμένες σημαντικές συμβουλές που θα σας βοηθήσουν να αξιοποιείτε στο έπακρο τη διαδικασία κατάψυξης:

- Η μέγιστη ποσότητα τροφίμων που μπορούν να καταψυχθούν σε 24 ώρες αναγράφεται στην ετικέτα ονομαστικών χαρακτηριστικών.
- Η διαδικασία κατάψυξης διαρκεί 24 ώρες. Σε αυτό το διάστημα δεν πρέπει να προστεθούν επιπλέον τρόφιμα που πρόκειται να καταψυχθούν.
- Καταψύξτε μόνο υψηλής ποιότητας, φρέσκα και καλά καθαρισμένα τρόφιμα.
- Χωρίστε τα τρόφιμα σε μικρές μερίδες για να μπορέσουν να καταψυχθούν γρήγορα και πλήρως και στη συνέχεια να μπορείτε να ξεπαγώνετε μόνο την ποσότητα που χρειάζεστε.
- Τυλίξτε τα τρόφιμα σε αλουμινοχαρτό ή μεμβράνη από πολυαιθυλένιο και βεβαιωθείτε ότι οι συσκευασίες είναι αεροστεγείς κλεισμένες.
- Μην αφήνετε φρέσκα, μη κατεψυγμένα τρόφιμα να έρχονται σε επαφή με τρόφιμα που είναι ήδη κατεψυγμένα. Με αυτόν τον τρόπο αποφεύγεται η αύξηση της θερμοκρασίας των τελευταίων.
- Τα άπαχα τρόφιμα αποθηκεύονται καλύτερα και για μεγαλύτερο διάστημα από ο,τι τα λιπαρά. Το αλάτι μειώνει τη διάρκεια αποθήκευσης των τροφίμων.
- Οι γρανίτες, εάν καταναλωθούν αμέσως μόλις βγουν από το διαμέρισμα κατάψυξης, ενδέχεται να προκαλέσουν κρουαγιαγμάτα στο δέρμα.
- Προϊόντα που καταναλώνονται απευθείας από την κατάψυξη ενδέχεται να προκαλέσουν κρουαγιαγμάτα στο δέρμα. Συνιστάται να αναγράφεται σε κάθε μεμονωμένη συσκευασία την ημερομηνία τοποθέτησης στην κατάψυξη, ώστε να παρακολουθείτε τον χρόνο αποθήκευσης.

## Υποδείξεις για την αποθήκευση κατεψυγμένων τροφίμων

Για να εξασφαλίσετε τη βέλτιστη απόδοση της συσκευής, θα πρέπει:

- Να βεβαιωθείτε ότι τα τρόφιμα που διατίθενται κατεψυγμένα ήταν αποθηκευμένα σε κατάλληλες συνθήκες από τον λιανοπωλητή.
- Να διασφαλίσετε ότι τα κατεψυγμένα τρόφιμα μεταφέρονται από το κατάστημα τροφίμων στην κατάψυξη όσο το δυνατόν πιο σύντομα.
- Μην ανοίγετε συχνά την πόρτα και μην την αφήνετε ανοιχτή περισσότερο από όσο είναι απολύτως απαραίτητο.
- Μόλις αποψυχθούν, τα τρόφιμα αλλοιώνονται γρήγορα και δεν μπορούν να επαναψυχθούν.
- Μην υπερβαίνετε την περίοδο αποθήκευσης που υποδεικνύεται από τον παρασκευαστή των τροφίμων.

## Υποδείξεις για ψύξη με νωπά τρόφιμα

Για να εξασφαλίσετε τη βέλτιστη απόδοση της συσκευής:

- Μην αποθηκεύετε ζεστά τρόφιμα ή υγρά που εξατμίζονται στο ψυγείο
- Καλύπτετε ή τυλίγετε τα τρόφιμα, ιδίως αν έχουν έντονη οσμή
- Κρέας (όλων των τύπων): τυλίξτε το σε σακούλες πολυαιθυλενίου και τοποθετήστε το στα γυάλινα ράφια πάνω από το συρτάρι λαχανικών.
- Για ασφάλεια, διατηρήστε τα αποθηκευμένα με αυτόν τον τρόπο το πολύ για μία ή δύο ημέρες.
- Μαγειρεμένα φαγητά, κρύα πιάτα κ.λπ.: αφού καλυφθούν, μπορούν να τοποθετηθούν σε οποιοδήποτε ράφι.
- Φρούτα και λαχανικά: θα πρέπει να πλένονται καλά και να τοποθετούνται στο ειδικό συρτάρι ή συρτάρια που παρέχονται.
- Βούτυρο και τυρί: θα πρέπει να τοποθετούνται σε ειδικά αεροστεγή δοχεία ή να τυλιγούνται σε αλουμινοχαρτό ή σακούλες πολυαιθυλενίου προκειμένου να προστατεύονται όσο το δυνατόν από την έκθεση σε αέρα.
- Μπουκάλια γάλα: θα πρέπει να έχουν πώμα και να αποθηκεύονται στα συρτάρια της πόρτας.
- Οι μπανάνες, οι πατάτες, τα κρεμμύδια και το σκόρδο, εάν δεν είναι συσκευασμένα, δεν πρέπει να διατηρούνται στο ψυγείο.

## Καθαρισμός

Για λόγους υγιεινής, το εσωτερικό της συσκευής, συμπεριλαμβανομένου των εξαρτημάτων εσωτερικού χώρου, πρέπει να καθαρίζεται τακτικά.

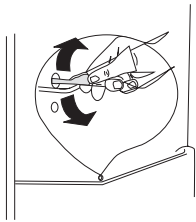
### ΠΡΟΣΟΧΗ!

Η συσκευή δεν πρέπει να είναι συνδεδεμένη στο δίκτυο κατά τον καθαρισμό. Κίνδυνος ηλεκτροπληξίας! Πριν από τον καθαρισμό, απενεργοποιήστε τη συσκευή και αποσυνδέστε το φις από την ηλεκτρική πρίζα. Εναλλακτικά, απενεργοποιήστε ή κατεβάστε τον διακόπτη ή την ασφάλεια. Μη χρησιμοποιείτε ατμοκαθαριστή για να καθαρίσετε τη συσκευή. Ενδέχεται να συσσωρευτεί υγρασία σε ηλεκτρικά εξαρτήματα. Υπάρχει κίνδυνος ηλεκτροπληξίας! Οι καυτοί ατμοί μπορούν να προκαλέσουν βλάβη στα πλαστικά μέρη. Η συσκευή πρέπει να στεγνώσει πλήρως πριν τεθεί πάλι σε λειτουργία.

**ΣΗΜΑΝΤΙΚΟ!** Τα αιθέρια έλαια και οι οργανικοί διαλύτες μπορούν να προσβάλουν τα πλαστικά μέρη, π.χ. χυμός λεμονιού ή το χυμός από φλούδα πορτοκαλιού, βουτυρικό οξύ, καθαριστικό που περιέχει οξικό οξύ.

## Καθαρίστε την οπή αποστράγγισης

Για να αποφύγετε την υπερχειλίση του νερού απόψυξης μέσα στο ψυγείο, καθαρίζετε περιοδικά την οπή αποστράγγισης στο πίσω μέρος του ψυγείου. Χρησιμοποιήστε καθαριστικό για να καθαρίσετε την οπή, όπως φαίνεται στην εικόνα.



- Μην αφήνετε τέτοιες ουσίες να έρθουν σε επαφή με τα μέρη της συσκευής.
- Μη χρησιμοποιείτε λιπαντικά καθαριστικά.

- Αφαιρέστε τα τρόφιμα από την κατάψυξη. Αποθηκεύστε τα σε δροσερό, καλά καλυμμένο μέρος.
- Απενεργοποιήστε τη συσκευή και αποσυνδέστε το φις από την πρίζα, ή απενεργοποιήστε τον διακόπτη ή την ασφάλεια.
- Καθαρίστε τη συσκευή και τα εσωτερικά εξαρτήματά της με ένα πανί και χλιαρό νερό. Αφού την καθαρίσετε, περάστε την με ένα πανί βρεγμένο με γλυκό νερό και στεγνώστε την.
- Μόλις στεγνώσει πλήρως, θέστε τη συσκευή πάλι σε λειτουργία.

## Απόψυξη του καταψύκτη

Το διαμέρισμα της κατάψυξης θα καλυφθεί προοδευτικά με πάγο. Αυτός θα πρέπει να αφαιρεθεί. Μη χρησιμοποιείτε ποτέ αιχμηρά μεταλλικά εργαλεία για να ξύσετε τον πάγο από τον εξατμιστή, καθώς μπορεί να προκαλέσετε βλάβη. Ωστόσο, όταν στην εσωτερική επένδυση σχηματίζεται ένα πολύ παχύ στρώμα πάγου, πρέπει να γίνει πλήρης απόψυξη με τον τρόπο που περιγράφεται παρακάτω:

- Βγάλτε το φις του καλωδίου τροφοδοσίας από την πρίζα.
- Αφαιρέστε όλα τα αποθηκευμένα τρόφιμα, τυλίξτε τα σε πολλές στρώσεις εφημερίδων και τοποθετήστε τα σε δροσερό μέρος.
- Κρατήστε την πόρτα ανοιχτή και τοποθετήστε μια λεκάνη κάτω από τη συσκευή για να συλλέξει το νερό της απόψυξης.
- Όταν ολοκληρωθεί η απόψυξη, στεγνώστε καλά το εσωτερικό της συσκευής.
- Επανασυνδέστε το φις στην πρίζα για να λειτουργήσετε ξανά τη συσκευή.

## Αντικατάσταση λαμπτήρα

### ΠΡΟΣΟΧΗ!

Το προϊόν διαθέτει λαμπτήρα LED. Σε περίπτωση αντικατάστασης, επικοινωνήστε με το τμήμα εξυπηρέτησης μετά την πώληση.



## ΑΝΤΙΜΕΤΩΠΙΣΗ ΠΡΟΒΛΗΜΑΤΩΝ

### ΠΡΟΣΟΧΗ!

Πριν από την αντιμετώπιση προβλημάτων, αποσυνδέστε την τροφοδοσία. Μόνο εξειδικευμένος ηλεκτρολόγος ή αρμόδιο πρόσωπο μπορεί να εκτελέσει την αντιμετώπιση προβλημάτων που δεν περιλαμβάνεται σε αυτό το εγχειρίδιο.

**ΣΗΜΑΝΤΙΚΟ!** Κατά τη διάρκεια κανονικής χρήσης υπάρχουν ορισμένοι ήχοι (συμπίεστης, κυκλοφορία του ψυκτικού υγρού).

Πρόβλημα	Πιθανή αιτία	Λύση
Η συσκευή δεν λειτουργεί	Το κουμπί ρύθμισης θερμοκρασίας έχει ρυθμιστεί στον αριθμό «0».	Γυρίστε το κουμπί σε άλλο αριθμό για να ενεργοποιήσετε τη συσκευή.
	Το βύσμα τροφοδοσίας δεν είναι συνδεδεμένο ή είναι χαλαρό	Τοποθετήστε το βύσμα τροφοδοσίας.
	Η ασφάλεια έχει καεί ή είναι ελαττωματική	Ελέγξτε την ασφάλεια και αντικαταστήστε την εάν είναι απαραίτητο.
	Η πρίζα είναι ελαττωματική.	Οι δυσλειτουργίες της πρίζας επισκευάζονται από ηλεκτρολόγο.
Το φαγητό είναι πολύ ζεστό.	Η θερμοκρασία δεν έχει ρυθμιστεί σωστά.	Ανατρέξτε στην αρχική ενότητα «Ρύθμιση θερμοκρασίας».
	Η πόρτα παρέμεινε ανοιχτή για μεγάλο χρονικό διάστημα.	Ανοίγετε την πόρτα μόνο για όσο χρόνο είναι απαραίτητο.
	Μεγάλη ποσότητα ζεστού φαγητού τοποθετήθηκε στη συσκευή εντός των τελευταίων 24 ωρών.	Γυρίστε προσωρινά τον περιστροφικό διακόπτη ρύθμισης θερμοκρασίας σε ψυχρότερη ρύθμιση.
	Η συσκευή βρίσκεται κοντά σε πηγή θερμότητας.	Ανατρέξτε στην ενότητα «Θέση εγκατάστασης».

Πρόβλημα	Πιθανή αιτία	Λύση
Η συσκευή ψύχει υπερβολικά	Η θερμοκρασία έχει ρυθμιστεί στο υπερβολικά ψυχρό.	Γυρίστε προσωρινά το κουμπί ρύθμισης θερμοκρασίας σε θερμότερη ρύθμιση.
Ασυνήθιστοι ήχοι	Η συσκευή δεν είναι σε όρθια θέση.	Επαναρυθμίστε τα πόδια.
	Η συσκευή αγγίζει τον τοίχο ή άλλα αντικείμενα.	Μετακινήστε ελαφρώς τη συσκευή.
	Ένα εξάρτημα, π.χ. ένας σωλήνας, στο πίσω μέρος της συσκευής αγγίζει ένα άλλο μέρος της συσκευής ή τον τοίχο.	Εάν είναι απαραίτητο, λυγίστε προσεκτικά το εξάρτημα ώστε να μετακινηθεί.
Νερό στο πάτωμα	Έμφραξη στην οπή αποστράγγισης.	Δείτε την ενότητα «Καθαρισμός».
Το πλευρικό πλαίσιο είναι υπερβολικά ζεστό	Ο συμπυκνωτής βρίσκεται στο εσωτερικό του πλαισίου.	Είναι φυσιολογικό.

Εάν η δυσλειτουργία παρουσιαστεί ξανά, επικοινωνήστε με το κέντρο συντήρησης.


## SIGURNOSNE UPUTE


Radi vlastite sigurnosti osigurajte sigurnu upotrebu, prije nego što prvi put instalirate i koristite uređaj, pročitajte ovaj korisnički vodič, uključujući savjete i upozorenja. Da biste izbjegli nepotrebne pogreške i nezgode, važno je osigurati da su sve osobe koje koriste uređaj temeljito upoznate s njegovim radom i sigurnosnim funkcijama. Pridržavajte se ovih uputa i pripazite da su uključene u uređaj ako se premjesti ili proda, tako da svatko tko ga koristi tijekom svog života bude svjestan pravilne upotrebe i sigurnosti uređaja. Obratite pažnju na ovaj korisnički priručnik zbog vaše osobne sigurnosti i sigurnosti vaše imovine, jer proizvođač ne odgovara za štetu uzrokovanu nedostacima.

### Sigurnost djece i nesamostalnih osoba

- Ovaj uređaj mogu koristiti djeca uzrasta 8 godina ili starije i osobe smanjene tjelesne, senzorne ili mentalne sposobnosti ili nedostatak iskustva i znanja ako su pod nadzorom ili ako im se daju upute u vezi sa sigurnom uporabom uređaja i ako su svjesni potencijalnog rizika.
- Djeca između 3 i 8 godina smiju stavljati predmete i uzimati predmete iz ovog uređaja.
- Djeca trebaju biti pod nadzorom kako bi se osiguralo da se ne igraju s uređajem.
- Djeca ne bi trebala biti uključena u čišćenje i održavanje, osim ako nisu navršila 8 godina i moraju biti pod obveznim nadzorom.
- Svu ambalažu čuvajte izvan dohvata djece. Postoji opasnost od gušenja.
- Ako odlučite da uređaj više nećete koristiti, iskopčajte ga iz struje, prerežite kabel za napajanje (što je moguće bliže uređaju) i uklonite vrata kako biste spriječili da djeca koja se igraju dožive strujni udar ili se zaključaju u uređaj.
- Ako ovaj uređaj ima magnetsku gumu na vratima, a želite njime zamijeniti stariji uređaj koji je bio zatvoren oprugom na vratima ili poklopcu, onemogućite postupak zatvaranja starijeg uređaja oprugom. To će spriječiti da uređaj postane smrtonosna zamka za dijete.

### Opća sigurnost

** UPOZORENJE!** Otvori za ventilaciju u kućištu hladnjaka ili instalacijskoj strukturi ne smiju biti začepljeni.

** UPOZORENJE!** Ne koristite mehaničke uređaje ili druge uređaje za ubrzavanje postupka odmrzavanja, osim proizvoda koje preporučuje proizvođač uređaja.

** UPOZORENJE!** Ne oštećujte rashladni sustav.

**⚠ UPOZORENJE!** Ne stavljajte druge električne uređaje (poput aparata za sladoled) u hladnjak, osim ako ih za to nije odobrio proizvođač.

**⚠ UPOZORENJE!** Ne dodirujte žarulju ako radi dulje vrijeme, jer može biti jako vruća.<sup>1</sup>

**⚠ UPOZORENJE!** Prilikom instaliranja uređaja, pazite da priključni kabel ne pritiska ništa i da kabel nije oštećen.

**⚠ UPOZORENJE!** Ne postavljajte više prijenosnih utičnica ili prijenosnih izvora napajanja iza uređaja.

- U ovom uređaju nemojte čuvati eksplozivne tvari, poput ambalaže raspršivača zapaljivog plina.
- Rashladno sredstvo, izobutan (R600a), nalazi se u rashladnom sustavu uređaja, to je prirodni plin s visokom razinom ekološke kompatibilnosti, ali izuzetno zapaljiv.
- Pripazite da tijekom transporta ili instalacije ne oštete nijednu komponentu rashladnog sustava uređaja.
  - izbjegavajte otvoreni plamen i izvore paljenja
  - temeljito prozračite sobu u kojoj se nalazi uređaj
- Opasno je mijenjati specifikacije ili modificirati proizvod na bilo koji način. Sva oštećenja kabela mogu prouzročiti kratki spoj, požar i/ili električni udar.
- Ovaj je uređaj namijenjen za kućanstvo i za slične programe, kao što su
  - prostori za zaposlenike u kuhinji, trgovinama, uredima i drugim radnim okruženjima;
  - poljoprivredna domaćinstva i gosti hotela i motela, kao i druge vrste takvih objekata;
  - objekti koji pružaju uslugu noćenja sa doručkom;
  - catering i slične neprodajne namjene.

**⚠ UPOZORENJE!** Sve električne komponente (utikač, kabel za napajanje, kompresor itd.) mora zamijeniti ovlaštenu servisnu ili kvalificiranu osobu.

**⚠ UPOZORENJE!** Žarulja isporučena s ovim uređajem je „svjetiljka posebne namjene“ i može se koristiti samo za uređaj s kojim je isporučena. Ova „žarulja posebne namjene“ ne može se koristiti za kućnu rasvjetu.<sup>1</sup>

- Kabel za napajanje se ne smije produžiti.
- Provjerite je li utikač na stražnjoj strani uređaja zgnječena ili oštećena.
- Zdrobljeni ili oštećeni čep može uzrokovati njegovo pregrijavanje i požar.
- Provjerite je li vam dostupan glavni utikač uređaja.
- Nemojte izvlačiti glavni kabel.
- Ako utičnica nije fiksirana, nemojte spajati uređaj. Postoji opasnost od strujnog udara ili požara.
- Na uređaju ne smijete raditi ništa bez osvjjetljenja.

<sup>1</sup> Ukoliko u uređaju postoji.



- Uređaj je težak. Budite oprezni pri premještanju uređaja.
- Ne uklanjajte i ne dodirujte elemente iz odjeljka za zamrzavanje ako su vam ruke vlažne/mokre, jer to može prouzročiti ogrebotine ili ozeblina na koži.
- Izbjegavajte dugotrajno izlaganje uređaja izravnoj sunčevoj svjetlosti.

## Svakodnevna upotreba

- Ne stavljajte vruće predmete na plastične dijelove uređaja.
- Ne stavljajte prehrambene proizvode uz stražnji zid.
- Smrznuta hrana ne smije se ponovno zamrzavati nakon odmrzavanja.<sup>2</sup>
- Čuvajte unaprijed zapakiranu smrznutu hranu u skladu s uputama proizvođača u vezi sa smrznutom hranom.<sup>2</sup>
- Strogo se pridržavajte preporuka proizvođača u vezi s držanjem stvari u uređaju. Slijedite odgovarajuće upute.
- Ne stavljajte gazirana pića u odjeljak za zamrzavanje, jer to stvara pritisak, što može dovesti do pucanja ambalaže, što može oštetiti uređaj.<sup>2</sup>
- Voćni sladoledi mogu prouzročiti ozeblina ako se konzumiraju odmah nakon vađenja iz uređaja.<sup>2</sup>

Slijedite ove upute kako biste izbjegli onečišćenje hrane

- Držanje uređaja otvorenim dulje vrijeme može dovesti do značajnog porasta temperature u odjeljcima uređaja.
- Redovito čistite površine koje mogu doći u kontakt s hranom, kao i dostupne dijelove odvodnog sustava.
- Očistite spremnike za vodu ako ih niste koristili više od 48 sati; ako niste uzimali vodu iz uređaja tijekom 5 dana, isperite sustav protoka vode vodom iz mreže.
- Držite sirovo meso i ribu u hladnjaku u odgovarajućim posudama, tako da ta hrana ne dolazi u kontakt ili kapa po drugoj hrani.
- Odjeljci smrznute hrane označeni s dvije zvjezdice (ako su dostupni u uređaju) prikladni su za držanje unaprijed smrznute hrane, držanje ili izradu sladoleda i izradu kockica leda.

## Održavanje i čišćenje

- Prije održavanja isključite uređaj ili isključite napajanje.
- Uređaj ne čistite metalnim predmetima.
- Nemojte koristiti oštre predmete za uklanjanje leda s uređaja. Koristite plastične strugače.<sup>2</sup>
- Redovito provjeravajte odvod za odleđenu vodu u hladnjaku. Ako je potrebno, očistite odvod. Ako je odvod blokiran, voda će se skupljati na dnu uređaja<sup>3</sup>

<sup>2</sup> Ukoliko postoji dio za zamrzavanje.

<sup>3</sup> Ukoliko postoji dio za čuvanje svježe hrane

## Instalacija uređaja

- **VAŽNO!** Da biste se priključili na električnu mrežu, pažljivo slijedite upute date u određenim dijelovima priručnika.
- Raspakirajte uređaj i provjerite je li oštećen. Uređaj nemojte priključivati na električnu mrežu ako je oštećen. Moguću štetu prijavite odmah na mjestu gdje ste kupili uređaj. U tom slučaju zadržite ambalažu uređaja.
- Preporučuje se da pričekate najmanje četiri sata prije spajanja uređaja kako bi se ulje vratilo u kompresor.
- Potrebno je osigurati odgovarajući protok zraka oko uređaja, a njegov nedostatak može dovesti do pregrijavanja. Slijedite upute potrebne za instalaciju uređaja kako biste postigli odgovarajući protok zraka.
- Gdje god je to moguće, između uređaja i zida mora se postaviti odstoynik kako bi se izbjeglo dodirivanje ili zahvaćanje vrućih dijelova (kompresor, kondenzator) kako bi se izbjegle moguće opekline.
- Uređaj se ne smije nalaziti u blizini radijatora ili peći.
- Provjerite je li omogućen jednostavan pristup glavnom utikaču čak i nakon instaliranja uređaja.


## Servisiranje

- Svako servisiranje uređaja, koje zahtijeva električne radove, treba obaviti kvalificirani električar ili nadležna osoba.
- Samo ovlašteni servisni centar može vršiti popravke uređaja, a mogu se koristiti samo originalni rezervni dijelovi.


## Ušteda energije

- Ne stavljajte vruću hranu u uređaj;
- Nemojte pakirati svu hranu zajedno, jer to sprečava cirkulaciju zraka;
- Pazite da hrana ne dodiruje stražnji dio pregrade;
- Ako nestane struje, ne otvarajte vrata;
- Ne otvarajte često vrata;
- Ne držite vrata dugo otvorena;
- Ne postavljajte termostat na izuzetno niske temperature
- U vratima uređaja potrebno je držati sve dodatne elemente, poput ladica i polica, kako bi se smanjila potrošnja energije.

## Zaštita životne sredine

 Ovaj uređaj ne sadrži plinove koji mogu oštetiti ozonski omotač niti u rashladnom sustavu niti u izolacijskim materijalima. Uređaj se ne smije odlagati s gradskim ili kućnim otpadom. Izolacijska pjena sadrži zapaljive

plinove: uređaj treba zbrinuti u skladu s propisima za uređaje koje izdaju lokalne vlasti. Izbjegavajte oštećivanje dijela za hlađenje, posebno dijela za izmjenu topline. Materijali korišteni za ovaj uređaj mogu se reciklirati ako su označeni simbolom za recikliranje. ♻️

 Naljepnica na proizvodu ili na ambalaži označava da se s tim proizvodom ne smije postupati kao s kućnim otpadom. Umjesto toga, treba ga ostaviti na prikladnom mjestu, gdje se sakuplja električna i elektronička oprema. Osiguravajući pravilno odlaganje ovog proizvoda, pomoći ćete u sprečavanju potencijalnih negativnih posljedica na okoliš i zdravlje ljudi, koje bi inače mogle nastati neprimjerenim postupanjem s otpadom ovog proizvoda. Za više detalja o recikliranju ovog proizvoda, obratite se lokalnom gradskom uredu, službi za odlaganje kućnog otpada ili trgovini u kojoj ste kupili proizvod.

### Materijali ambalaže

Materijali označeni ovim simbolom mogu se reciklirati. Ambalažu odložite u odgovarajući spremnik za prikupljanje otpada za recikliranje.

### Odlaganje uređaja

1. Isključite napajanje uređaja.
2. Odrežite kabel za napajanje i bacite ga.

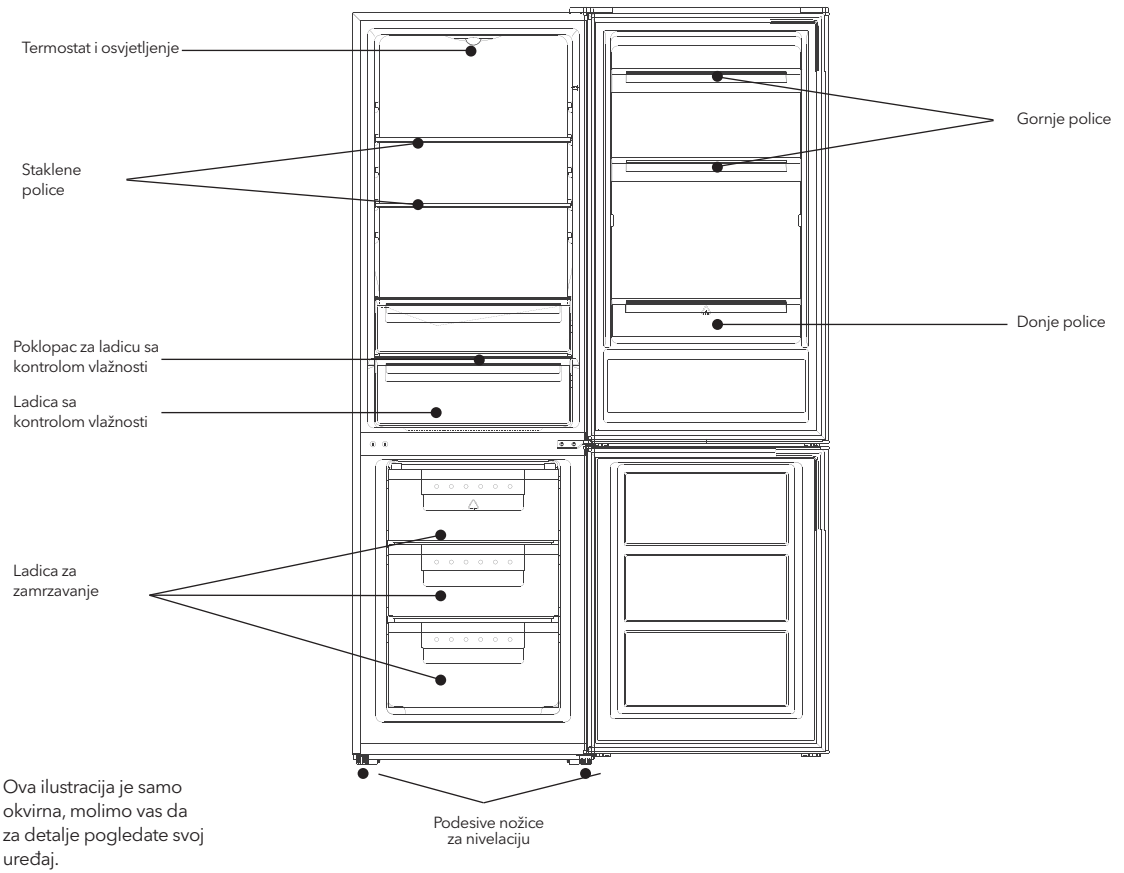


#### UPOZORENJE!

Prilikom upotrebe, servisiranja i odlaganja uređaja, imajte na umu žutu ili narančastu oznaku, sličnu onoj prikazanoj na slici s lijeve strane, koja se nalazi na stražnjoj strani uređaja (ploča ili kompresor na stražnjoj strani uređaja).

Ova oznaka predstavlja simbol opasnosti od požara. U cijevima za rashladno sredstvo i u kompresoru ima zapaljivih materijala. Molimo držite uređaj dalje od izvora vatre tijekom uporabe, servisiranja i odlaganja.

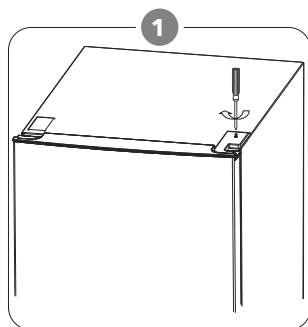
# PREGLED



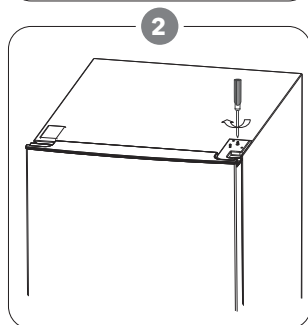
# ZAMJENA SMJERA OTVARANJA VRATA

Potreban alat: Philips odvijač, ravni odvijač, šesterokutni ključ.

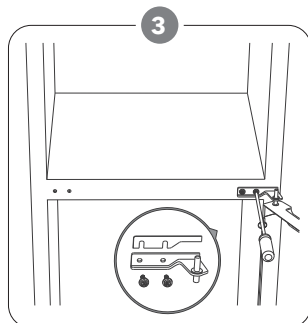
- Provjerite je li uređaj isključen i prazan.
- Da biste uklonili vrata, uređaj trebate nagnuti unatrag. Uređaj treba postaviti na tvrdi podlogu, kako ne bi skliznuo pri promjeni položaja vrata.
- Svi uklonjeni dijelovi moraju se sačuvati kako bi se vrata ponovno postavila.
- Uređaj nemojte postavljati u vodoravni položaj jer to može oštetiti sustav hlađenja.
- Preporučuje se da u instalaciji sudjeluju dvije osobe.



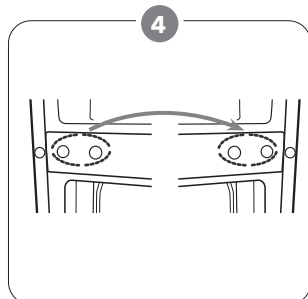
Uklonite četiri vijka sa gornjeg poklopca, i onda ga podignite.



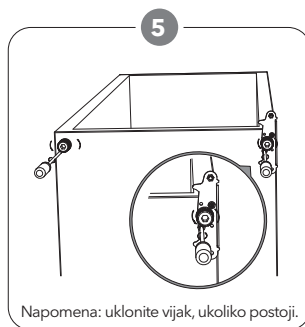
Odvijte gornju šarku i onda uklonite vrata i odložite ih na mekanu površinu, kako biste izbjegli ogrebotine.



Odvijte srednju šarku. Podignite donji dio vrata, i stavite na mekanu podlogu, kako biste izbjegli ogrebotine.

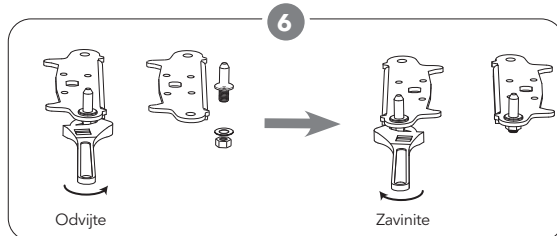


Premjestite štitinike rupa za šarke sa lijeve na desnu stranu.

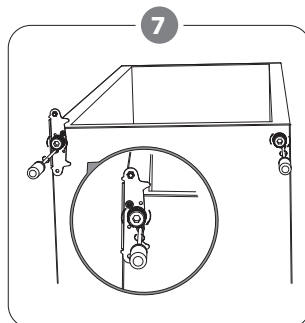


Odvijte donju šarku. Zatim uklonite podesive nožice s obje strane.

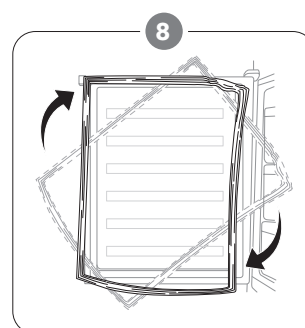
Napomena: uklonite vijak, ukoliko postoji.



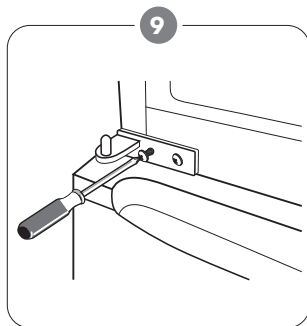
Odvrnite i uklonite donju iglu za šarku, okrenite držač i vratite ga.



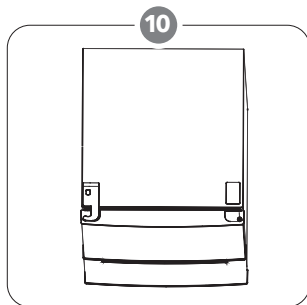
Ponovo postavite podupirač, tako što ćete staviti iglu. Vratite obje podesive nožice. Premjestite donja vrata na odgovarajuću poziciju.



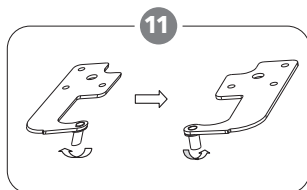
Uklonite brtve sa vrata hladnjaka i zamrzivača, a zatim ih zarotirajte i, nakon toga, ponovo postavite.



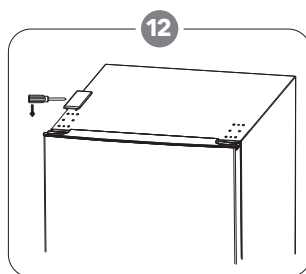
9  
Okrenite donju šarku za 180°, zatim je premjestite. Otvorite štitnik rupe za na lijevu stranu. Postavite srednju iglu sa srednje šarke u gornju rupu donjih vrata, zatim zategnite vijke.



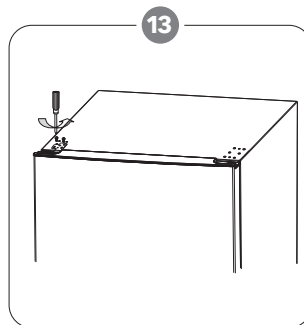
10  
Postavite ponovo gornja vrata. Pobrinite se da vrata budu poravnana horizontalno i vertikalno, tako da guma prijanja sa svih strana, prije nego što konačno pričvrstite gornju šarku. Zatim stavite šarku, i zavijte je na vrhu uređaja.



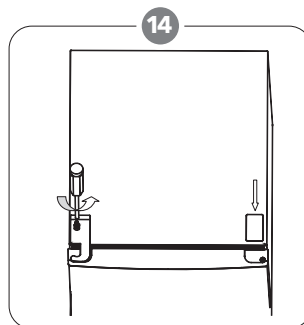
11  
Odvijte iglu za šarku i okrenite šarku, i onda vratite iglu.



12  
Otvorite štitnik rupe za šarku.



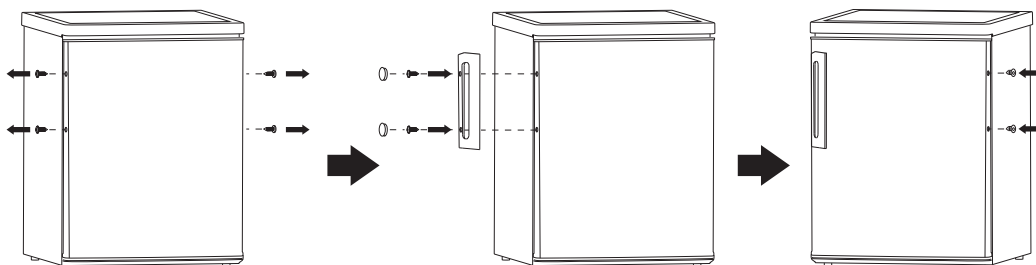
13  
Postavite šarku na lijevu stranu.



14  
Postavite štitnik za šarku na lijevu stranu i štitnik rupe za šarku na desnu.

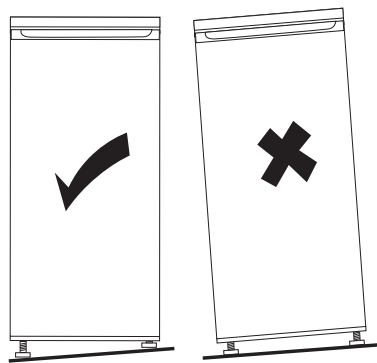
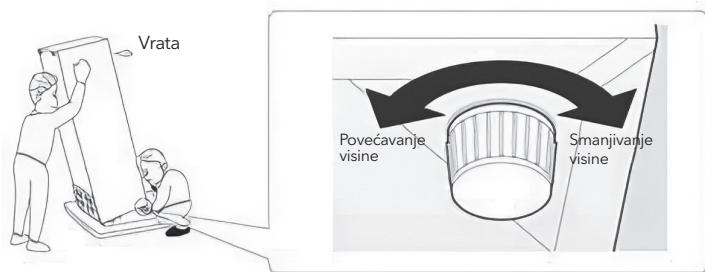
## UGRADNJA UREĐAJA

Ugradite vanjsku kvaku na vratima (ako postoji vanjska kvaka)



## Potrebe prostora

- Ostavite dovoljno prostora za otvaranje vrata.
- Ostavite najmanje 50 mm prostora s obje strane



## Pozicioniranje

Postavite ovaj uređaj na mjesto čija sobna temperatura odgovara klimatskom razredu navedenom na pločici s podacima:

- Za rashladne jedinice sa sljedećim klimatskim razredima:
- produženo umjereno: ova rashladna jedinica namijenjena je upotrebi na sobnim temperaturama u rasponu od 10°C do 32°C (SN);
- umjereno: ova rashladna jedinica namijenjena je upotrebi na sobnim temperaturama u rasponu od 16°C do 32°C (N);
- subtropsko: ova rashladna jedinica namijenjena je upotrebi na sobnim temperaturama u rasponu od 16°C do 38°C (ST);
- tropsko: ovaj hladnjak je namijenjen za upotrebu na sobnim temperaturama u rasponu od 16°C do 43°C (T);

## Lokacija

Uređaj treba držati dalje od izvora topline, poput radijatora, bojlera, izlaganja izravnoj sunčevoj svjetlosti itd. Pazite da zrak slobodno cirkulira oko stražnje strane hladnjaka kako biste osigurali najbolje performanse. Ako je uređaj postavljen ispod visećeg dijela, minimalna udaljenost između vrha uređaja i visećeg dijela trebala bi

biti najmanje 50 mm. U idealnom slučaju, uređaj se ne smije stavljati ispod visećeg dijela. Adekvatno izravnavanje postiže se jednim ili više prikladnih nogu, ovisno o uređaju.

Ovaj uređaj za hlađenje nije namijenjen uporabi kao ugradbeni uređaj;

### ⚠ UPOZORENJE!

Isključivanje uređaja mora biti omogućeno; iz tog razloga utičnica mora biti dostupna nakon instaliranja uređaja.

## Povezivanje na struju

Prije uključivanja provjerite odgovaraju li napon i frekvencija prikazani u tablici specifikacija naponu u kućanstvu. Uređaj mora biti uzemljen. Kabel za napajanje je u tu svrhu opremljen kontaktom. Ako kućanska utičnica nije uzemljena, spojite uređaj na zasebno uzemljenje u skladu s važećim propisima; obratite se kvalificiranom električaru. Proizvođač ne snosi nikakvu odgovornost ako se ne poštuju gore navedene preventivne mjere. Ovaj uređaj ispunjava uvjete EEC direktive.

## SVAKODNEVNA UPOTREBA

### Prva upotreba

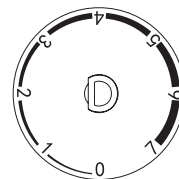
#### Čišćenje unutrašnjosti uređaja

Prije prve upotrebe uređaja očistite unutrašnjost i sve unutarnje elemente mlakom vodom i neutralnim sapunom kako biste uklonili tipičan miris novog proizvoda, a zatim ga dobro osušite.

**VAŽNO!** Ne koristite deterđente ili abrazive, jer mogu oštetiti površinu.

#### Podešavanje temperature

- Uključite svoj uređaj. Unutarnju temperaturu regulira termostat. Postoji 8 razina temperature, 1 je najtoplija razina, 7 je najhladnija, a 0 znači da je uređaj isključen.
- Uređaj možda neće raditi na pravoj temperaturi ako je vrlo vruće ili ako vrata često otvarate.

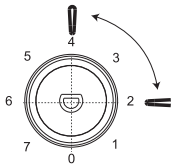
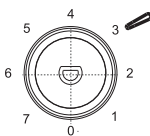
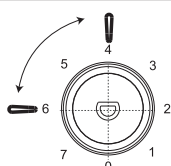


## Svakodnevna upotreba

Složite različite vrste hrane u različite odjeljke, prema podacima u sljedećoj tablici.

Odjeljci hladnjaka	Vrste namirnica
Vrata ili police u vratima odjeljka za rashlađivanje	<ul style="list-style-type: none"> <li>Namirnice sa prirodnim konzervansima, poput džemova, sokova, pića, dodataka jelima.</li> <li>Ne držite kvarljivu hranu.</li> </ul>
Crisper ladica za čuvanje svježine (ladica za čuvanje salate)	<ul style="list-style-type: none"> <li>Voće, začinsko bilje i povrće treba držati zasebno u crisper ladici za čuvanje svježine.</li> <li>Banane, crveni luk, rajčicu i češnjak ne treba držati u hladnjaku.</li> </ul>
Polica hladnjaka - srednja	<ul style="list-style-type: none"> <li>Mliječni proizvodi, jaja</li> </ul>
Polica hladnjaka - gornja	<ul style="list-style-type: none"> <li>Hrana koju nije potrebno termički obrađivati, poput gotove hrane, mesnih preradevina, ostataka hrane.</li> </ul>
Ladica(e)/polica zamrzivača	<ul style="list-style-type: none"> <li>Hrana koja se čuva dulje vrijeme.</li> <li>Donja ladica/polica za svježe meso, perad, ribu.</li> <li>Srednja ladica/polica za smrznuto povrće, pomfrit.</li> <li>Gornja ladica/polica za sladoled, smrznuto voće, smrznutu kuhanu hranu.</li> </ul>

## Preporuka za podešavanje temperature

Vanjska temperatura	Odjeljak zamrzivača	Odjeljak hladnjaka
Ljetna	/	 <p>Podesite na 2~4</p>
Normalna	/	 <p>Podesite na 3</p>
Zimska	/	 <p>Podesite na 4~6</p>

## Učinak na čuvanje hrane

- Uz preporučene postavke, optimalno razdoblje za čuvanje hrane u hladnjaku nije dulje od 3 dana.
- Uz preporučene postavke, optimalno razdoblje za čuvanje hrane u zamrzivaču nije dulje od 1 mjeseca.
- Kod ostalih vrijednosti podešavanja, optimalno razdoblje čuvanja hrane može biti kraće.

## Zamrzavanje svježih hrane

- Odjeljak za zamrzavanje pogodan je za zamrzavanje svježih hrane i dulje čuvanje smrznute i duboko smrznute hrane.
- Stavite svježiju hranu u odjeljak na dnu da ga zamrznete.
- Maksimalna količina hrane koja se može zamrznuti u 24 sata je

navedena u tablici specifikacija. Postupak zamrzavanja traje 24 sata: u tom razdoblju nemojte dodavati više hrane namijenjene smrznivanju.

## Čuvanje smrznute hrane

Ako je uključen prvi put ili nakon duljeg perioda neuporabe, prije stavljanja hrane u pretinac, uređaj mora raditi najmanje 2 sata i postaviti na najviše vrijednosti.

**VAŽNO!** Ako se dogodi slučajno odmrzavanje, na primjer, ako nema električne energije dulje nego što je prikazano u specifikacijama u odjeljku "vrijeme dizanja", smrznuta hrana mora se brzo upotrijebiti ili odmah termički obrađiti i ponovno zamrznuti (nakon skladištenja).



## Odmrzavanje

- Duboko zamrznuta ili zaledena hrana, prije upotrebe, može se odmrznuti ili u pretincima hladnjaka ili na sobnoj temperaturi, ovisno o raspoloživom vremenu.
- Manji komadi mogu se čak pripremiti za jelo, iako su još uvijek smrznuti, izravno iz zamrzivača. U ovom slučaju priprema hrane traje duže.

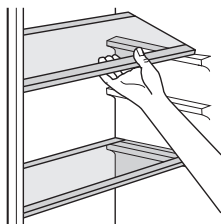
## Kockice leda

Ovaj uređaj možda neće biti opremljen jednom ili više posuda za kockice leda.

## Dodatni elementi

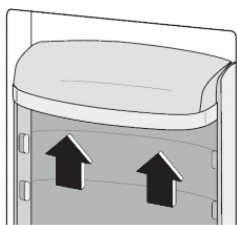
### Police koje se mogu pomicati

Zidovi hladnjaka imaju niz utora, tako da se police mogu prilagoditi po želji.



## Podešavanje policia na vratima

Kako bi se omogućilo skladištenje hrane u različitim veličinama, police vrata mogu se prilagoditi različitim razinama. Da biste to prilagodili, učinite sljedeće: postupno spuštajte policu u smjeru strelice dok se ne oslobodi, a zatim je postavite po potrebi.



## Korisni savjeti

Evo nekoliko važnih savjeta koji će vam pomoći da proces zamrzavanja iskoristite na najbolji način:

- maksimalna količina hrane koja se može smrznuti u 24 sata navedena je u tablici specifikacija;
- proces zamrzavanja traje 24 sata. Ne bi bilo poželjno dodavati hranu koja smrzava u tom periodu;
- zamrzavajte samo kvalitetnu, svježu i potpuno očišćenu hranu;
- hranu treba podijeliti na manje porcije, kako bi se omogućilo brže i potpuno smrzavanje, kako bi se kasnije mogla odmrznuti samo potrebna količina;
- zamotajte hranu u aluminijsku ili polietilensku foliju i pobrinite se da ambalaža ne propušta zrak; ne dopustite da nesmrznuta hrana dodiruje već smrznutu hranu kako biste izbjegli porast temperature.
- nemasna hrana se čuva bolje i duže od masne; sol smanjuje vijek trajanja čuvane hrane;
- ako se kockice leda upotrijebe odmah nakon vađenja iz zamrzivača, mogu izazvati ozeblina na koži;
- uklanjanje hrane iz zamrzivača može prouzročiti ozeblina na koži;
- Preporučljivo je naznačiti datum smrzavanja na svakom pakiranju smrznute hrane, kako biste znali koliko dugo se čuva

## Savjeti za čuvanje smrznute hrane

- Da biste postigli najbolje performanse ovog uređaja, trebali biste:
- provjeriti je li prodavač komercijalno smrznutu hranu na odgovarajući način pohranio;
- pobrinite se da se hrana što prije preveze iz trgovine u zamrzivač;
- Ne otvarajte vrata često i ne ostavljajte ih otvorena duže nego što je potrebno. Hrana koja se jednom otopi brzo propada i ne može se ponovno zamrznuti.
- Nemojte prekoračiti razdoblje skladištenja koje je odredio proizvođač.

## Savjeti za hlađenje svježije hrane

Da biste postigli najbolji efekt:

- Ne čuvajte vruću hranu ili tekućine koje isparavaju u hladnjaku
- Pokrijte ili zamotajte hranu, pogotovo ako ima jak miris
- Sve vrste: zamotajte u polietilenske vrećice i stavite na staklene police iznad ladice za povrće.
- Zbog sigurnosti hranu na ovaj način čuvajte jedan dan, najviše dva.
- Kuhana hrana, hladna jela, itd ...: trebaju biti pokrivena i mogu se čuvati na bilo kojoj polici.
- Voće i povrće: treba dobro oprati i spremati u ladice namijenjene za odlaganje.
- Maslac i sir: treba ih staviti u posebne hermetičke posude ili zamotati u aluminijske folije ili polietilenske vrećice kako bi se uklonilo što više zraka.
- Boce s mlijekom/jogurtom: treba zatvoriti i čuvati na policama vrata.
- Banane, krumpir, luk i češnjak, ako nisu pakirani, ne smiju se čuvati u hladnjaku.

## Čišćenje

Iz higijenskih razloga treba redovito čistiti unutrašnjost uređaja, uključujući i unutarnje elemente.

### ! OPREZI!

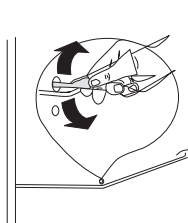
Uređaj tijekom čišćenja ne smije biti priključen na struju. Postoji opasnost od strujnog udara! Prije čišćenja uređaja isključite ga i isključite napajanje ili isključite prekidač ili osigurač.

Uređaj nikada ne čistite parnim čistačem. Vлага se može nakupiti u električnim komponentama, opasnost od strujnog udara! Pare mogu oštetiti plastične dijelove. Uređaj mora biti suh prije ponovne upotrebe.

**VAŽNO!** Eterična ulja i organska otapala mogu nagrízati plastične dijelove, na primjer limunov sok ili sok od narančine kore, karboksilne kiseline, sredstva za čišćenje koja sadrže octenu kiselinu.

## Čišćenje odvoda

Da biste izbjegli da otopljena voda uđe u hladnjak, povremeno čistite odvod sa stražnje strane dijela za hlađenje. Koristite sredstvo za čišćenje za čišćenje rupe, kao što je prikazano na slici desno.



- Ne dopustite da takve tvari dođu u kontakt s dijelovima uređaja.
- Nemojte koristiti abrazivna sredstva za čišćenje
- Uklonite hranu iz zamrzivača. Hranu čuvajte na hladnom mjestu i dobro je pokrijte.
- Isključite uređaj i isključite napajanje ili isključite prekidač ili osigurač.

- Očistite uređaj i unutarnje elemente krpom i mlakom vodom. Nakon čišćenja isperite čistom vodom i osušite krpom.
- Nakon što se sve osuši, ponovo uključite uređaj.

## Otapanje zamrzivača

Vremenom će se područje smrzavanja prekriti slojem leda. Njega treba ukloniti. Nikada nemojte koristiti oštre metalne alate za uklanjanje leda iz isparivača, jer to može oštetiti.

Međutim, ako je sloj leda iznutra vrlo gust, postupak odmrzavanja treba obaviti kako slijedi:

- isključite uređaj;
- izvadite svu hranu iz uređaja, zamotajte je u nekoliko slojeva novina i čuvajte na hladnom mjestu;
- držite vrata otvorena i stavite posudu koja nije preduboko ispod uređaja kako biste sakupili odmrznutu vodu.;
- kada je postupak odmrzavanja završen, temeljito osušite unutrašnjost, ponovno spojite uređaj na napajanje.

## Mijenjanje žarulje



**OPREZ!**

Unutarnje svjetlo je LED vrste. Da biste uklonili žarulju, obratite se kvalificiranom tehničaru.



## RJEŠAVANJE PROBLEMA



**OPREZ!**

Prije rješavanja problema odspojite napajanje. Samo kvalificirani električar ili kompetentna osoba trebaju riješiti problem koji nije naveden u ovom priručniku.

**VAŽNO!** Postoje određeni zvukovi koje uređaj proizvodi tijekom normalne uporabe (kompresor, rashladni dio uređaja).

Problem	Mogući uzrok	Rješenje
Uređaj ne radi	Regulator temperature je postavljen na "0".	Postavite regulator temperature na neki drugi broj, kako biste uključili uređaj.
	Uređaj nije priključen na strujni krug.	Umetnite utikač.
	Osigurač je ispio ili je neispravan.	Provjerite osigurač, zamijenite ga ako je potrebno.
	Utičnica je neispravna.	Kvarove na utikaču trebao bi popraviti električar.
Hrana je pretopla.	Temperatura nije pravilno podešena.	Molimo vas, pogledajte odjeljak za osnovnu razinu temperature.
	Vrata su bila otvorena duže vremena.	Držite vrata otvorenim samo onoliko, koliko je potrebno.
	Velika količina tople hrane je stavljena u uređaj u posljednja 24 sata.	Privremeno podesite regulator temperature na nižu temperaturu.
	Uređaj je blizu izvora topline.	Molimo vas, pogledajte odjeljak za lokaciju i instalaciju.
Uređaj previše hladi	Regulator temperature je podešen na hladno.	Privremeno podesite regulator temperature na višu temperaturu
Neobični zvukovi	Uređaj nije izravan.	Ponovo podesite nožice.
	Uređaj dodiruje zid ili druge predmete.	Malo pomaknite uređaj.
	Dio, kao što je cjevovod na zadnjoj strani uređaja, dodiruje druge dijelove uređaja ili zid.	Ukoliko je potrebno, pažljivo uklonite dio koji predstavlja prepreku.
Voda na podu	Odvod je blokiran.	Pogledajte odjeljak za čišćenje.
Ploča sa strane je vruća	Kondenzator je unutar ploče.	To je normalno.

Ako se kvar ponovno dogodi, obratite se servisnom centru.


## БЕЗБЕДНОСНИ УПАТСТВА

Поради сопствена безбедност и обезбедување на сигурна употреба, пред инсталацијата и првата употреба на уредот, прочитајте го ова Корисничко упатство, вклучувајќи ги и советите на внимателност. Со цел да се избегнат непотребни грешки и незгоди, важно е сите личности кои ќе го користат уредот да бидат детално запознаени со неговите операции и безбедносни функции. Зачувајте го ова упатство и погрижете се да биде во целина со уредот ако истиот биде преместен или продаден, како би, секој кој би го користел во текот на својот живот, би бил запознат со правилната употреба и безбедноста на уредот. Ова корисничко упатство, имајте го во предвид поради својата лична сигурност и сигурноста на имотот, бидејќи производителот не е одговорен за штетата која би настанала поради Ваши направени пропусти.

### Безбедност за деца и несамостојни личности

- Овој уред може да го користат деца на возраст од 8 години и повеќе, како и лица со намалени физички, сетилни или ментални способности, или со помалу искуство доколку се под надзор или им се дадени насоки за безбедна употреба на уредот, како и за можниот ризик.
- На децата на возраст од 3 до 8 години им е дозволено да ставаат предмети и да земаат предмети од овој уред.
- Децата би требали да бидат под надзор, како би биле сигурни дека не си играат со уредот.
- Чистењето и одржувањето не би требало да го прават деца, доколку не се на возраст од 8 години или повеќе и мораат да бидат под задолжителен надзор.
- Целата амбалажа чувајте ја надвор од дофат на деца. Постои опасност од гушење.
- Доколку одлучите повеќе да не го користите уредот, прекинете го напојувањето на уредот со струја, пресечете го кабелот за напојување (што е можно поблиску до уредот) и отстранете ја вратата, како би спречиле можност децата при играње да претпрат струен удар или да се затворат во уредот.
- Доколку овој уред има магнетна гума на вратата, а сакате да ја замените на некој постар уред кој се затворал со помош на пружина или поклопувач, тогаш оневозможете го затворањето на стариот уред со пружина. На тој начин ќе спречите смртоносна замка за детето.

### Општа безбедност

** ПРЕДУПРЕДУВАЊЕ!** Одржувајте ги вентилационите отвори во куќиштето на фрижидерот или во вградената структура чисти од запушување.

**⚠ ПРЕДУПРЕДУВАЊЕ!** Не користете механички уреди или други предмети со цел да го забрзате процесот на одмрзнување, освен производи препорачани од страна на производителот на уредот.

**⚠ ПРЕДУПРЕДУВАЊЕ!** Не го оштетувајте системот за ладење.

**⚠ ПРЕДУПРЕДУВАЊЕ!** Не поставувајте други електрични уреди (како на пример уред за правење на сладолед) во уредот за ладење, освен ако производителот не ја одобрил и таа намена.

**⚠ ПРЕДУПРЕДУВАЊЕ!** Не ја допирајте сијалицата доколку работела подолго време, бидејќи може да биде многу жешка.<sup>1</sup>

**⚠ ПРЕДУПРЕДУВАЊЕ!** Кога го поставувате уредот, уверете се дека ништо не го притиска кабелот за напојување идека кабелот не е оштетен.

**⚠ ПРЕДУПРЕДУВАЊЕ!** Не ставајте повеќекратни преносни приклучници или преносно напојување зад уредот.

- Не чувајте експлозивни супстанции, како што е амбалажа за спреј со запаллив гас во овој уред.
- Супстанца за ладење, изобутан (R600a), се наоѓа во системот за ладење на уредот – тоа е природен гас со високо ниво на еколошка компатибилност, но исклучително запаллив.
- Погрижете се во текот на транспортот или поставувањето на уредот да не биде оштетена ниту една компонента од системот за ладење на уредот.
  - избегнувајте отворен пламен и извори на запалливост
  - темелно проветрете ја просторијата, каде што се наоѓа уредот
- Опасно е да се менува спецификацијата или модифицира производот на било кој начин. Било какво оштетување на кабелот може да предизвика краток спој, пожар и/или струен удар.
- Овој уред е наменет за употреба во домаќинства и за случна примена, како што се
  - простории за вработени во кујна, во продавница, канцеларија и други работни простории;
  - замјоделски домаќинства, како и од страна на хотелски и мотелски гости и други видови на вакви објекти;
  - објекти кои пружаат услуга за ноќевање со доручек;
  - кетеринг и слична намена.

**⚠ ПРЕДУПРЕДУВАЊЕ!** Било која електрична компонента (приклучок, кабел за напојување, компресор и сл.) мора да биде заменет од страна на овластен сервисер или квалификуван работник.

**⚠ ПРЕДУПРЕДУВАЊЕ!** Сијалицата, која е доставена со овој уред, е

<sup>1</sup> Доколку постои во уредот.

“сијалица за специјална намена” и може да се користи за уредот со кој е доставена. Оваа “сијалица за специјална намена” не може да се користи за куќно осветлување.<sup>1</sup>

- Кабелот за напојување не смее да се продолжува.
- Проверете дали приклучокот, на задната страна на уредот е притиснат или оштетен. Притиснат или оштетен уред може да доведе до прегревање и да предизвика пожар.
- Погрижете се, главниот приклучок на уредот да биде достапен.
- Не го извлекувајте главниот кабел.
- Доколку приклучокот не е фиксиран, не го приклучувајте апаратот. Постои ризик од струен удар или оган.
- Не смеете да работите ништо на уредот доколку е без осветлување.
- Уредот е тежок. Бидете внимателни при негово поместување.
- Не ги отстранувајте или допирајте елементите од делот за замрзнување ако имате влажни/мокри раце, бидејќи може да се предизвикаат гребаници или подмрзнување на кожата.
- Избегнувајте долготрајно изложување на апаратот на директна сончева свелина.

## Дневна употреба

- Не оставајте загреани предмети на пластичниот дел од уредот.
- Не оставајте прехранбени производи позади задниот дел.
- Замрзнатата храна не смее повторно за се замрзнува, откако ќе се растопи.<sup>2</sup>
- Веќе спакуваната замрзната храна, чувајте ја во согласност со инструкциите на производителот, а во врска со користење на замрзната храна.<sup>2</sup>
- Придружувајте се стриктно до препораките на производителот на уредот. Придржувајте се на релевантните инструкции.
- Не оставајте газирани пијалоци во делот за замрзнување, бидејќи тоа може да создаде притисок кој може да предизвика пукање на амбалажата и може да доведе до оштетување на уредот.<sup>2</sup>
- Плодовите од овошје може да предизвикаат смрзнатини ако се конзумираат веднаш по земање од уредот.<sup>2</sup>

За да избегнете контаминирање на храната, следете ги следните упатства

- Држење на уредот отворен во текот на подолг временски период може да доведе до значителен пораст на температурата во делот на уредот.

<sup>2</sup> Доколку постои дел за замрзнување.

- Редовно чистете ја површината која може да дојде во допир со храна, како и пристапните делови до одводните системи.
- Исчистете ги резервоарите за вода доколку не сте ги користеле во временски период подолг од 48 часа; доколку во временски период од 5 дена не сте земале вода од уредот, исплакнете го системот за проток на вода со вода од водоводната мрежа.
- Сурово месо и риба во фрижидерот држете во соодветни садови, за овие намирници да не дојдат во допир со или да не капат врз останатата храна.
- Делоците за смрзната храна се означени со две ѕвездички (доколку постои во рамки на уредот) погодни се за држење на претходно смрзната храна, за држење или прваење сладолед и за правење коцки мраз..
- Деловите означени со една, две и три ѕвездички (доколку постојат во рамки на уредот) не се погодни за замрзнување на свежа храна.
- Доколку уредот биде празен за подолг временски период, исклучете го, одмрзнете го, исчистите го и исушете го, а потоа оставете ја вратата на уредот отворена за да спречите развој на мувла во внатрешноста на уредот.

## Одржување и чистење

- Пред одржувањето, исклучете го уредот или прекинете го дотокот на електрична енергија.
- Не го чистете уредот со метални предмети.
- Не користете остри предмети, со цел да отстраните лед од уредот. Користете пластични средства за стругање.<sup>2</sup>
- Редовно проверувајте го одводот за одмрзната вода во фрижидерот. Доколку е потребно, исчистете го одводот. Доколку одводот е блокиран, водата ќе се собира на дното од уредот.<sup>3</sup>

## Инсталација на уредот

- **ВАЖНО!** За приклучување на електрична мрежа, внимателно проверети ги и следете ги упатствата дадени во посебните делови на упатството.
- Распакувајте го уредот и проверете дали на него има оштетувања. Не го приклучувајте уредот на струја, доколку истиот е оштетен. Можните оштетувања, веднаш пријавете ги на местото каде што е купен уредот. Во тој случај, зачувајте ја амбалажата на уредот.

<sup>2</sup> Доколку постои дел за замрзнување.

<sup>3</sup> Доколку постои дел за чување на свежа храна.

- Се препорачува да почекате најмалку 4 часа, пред да го вклучите уредот, како би можело уљето да се врати во компресорот.
- Потребно е да се обезбеди соодветно струење на воздухот околу уредот, бидејќи без струење може да се предизвика прегревање. За постигнување на потребниот проток на воздух, следете ги упатствата за инсталација на уредот.
- Каде што е возможно, мора да биде оставен простор помеѓу уредот и ѕидот, како би се избегнал допир со загреаните делови (компресор, кондензатор) а со цел да се избегнат можни прегорувања.
- Уредот не смее да биде поставен во близина на радијатор или шпорет.
- Погрижете се да биде обезбеден лесен пристап до главниот приклучок по поставувањето на уредот.


## Сервисирање

- Било какво сервисирање на уредот, кое бара електрична работа, треба да биде извршено од страна на квалификуван електричар или компетентна личност.
- Само овластениот сервисен центар за сервисирање може да врши поправки на уредот и може да се користат само оригинални резервни делови.

## Заштеда на енергија

- Не ставајте жешка храна во уредот;
- Не ја пакувајте ја целата храна на едно место, бидејќи тоа го спречува циркулирањето на воздухот;
- Погрижете се храната да не го допира задниот дел од преградата(те);
- Доколку настане прекин на струја во просторијата, не ја отварајте вратата;
- Не ја отварајте вратата премногу често;
- Не ја држете вратата отворена премногу долго;
- Не го поставувајте термостатот на исклучително ниски температури
- Сите додатоци, како што се фиоки, полици балкони, треба да се чуваат таму за помала потрошувачка на енергија.

## Заштита на животната средина

 Овој уред не содржи гасови, кои можат да ја оштетат озонската обвивка, ниту во системот за ладење, ниту во материјалите за излација. Уредот не би требало да се одложува заедно со градскиот или куќниот отпад. Изолационата пена содржи запалливи гасови: уредот би

требало да се одложи во согласност со прописите кои се издадени од страна на локалната власт. Изгинувајте предизвикување на оштетувања на деловите за ладење, посебно да деловите за рамена на топлина. Материјалите кои се користени за овој уред може да се рециклираат доколку се означени со симболот за рециклажа. ♻️



Ознаката на производот, или на неговото пакување, укажува дека овој производ не смее да се третира како отпад која е настанат во докаќинство. Наместо тоа, треба да се одложи на соодветно место, каде што се собира електрична или електронска опрема.

Доколку се осигурате дека производот е правилно одложен, ќе помогнете во спречување на негативни последици по животната средина или човековото здравје, кои можат да бидат загрозувачи со неправилно одложување на отпадно место на овој уред. За повеќе детали во поглед на рециклирање на овој производ, Ве молиме да ги контактирате своите локални органи за заштита на животната средина, јавни претпријатија за одлагање на комунален отпад или продавницата каде што е купен овој производ.

## Материјали од амбалажата

Материјалите кои се означени со такви симболи можат да се рециклираат. Амбалажата можете да ја одложите во соодветен контејнер за прибирање на отпад за амбалажа.

## Одложување на уредот

1. Прекинете го напојувањето на уредот од струја.
2. Отсечете го кабелот за напојување и одложете го.

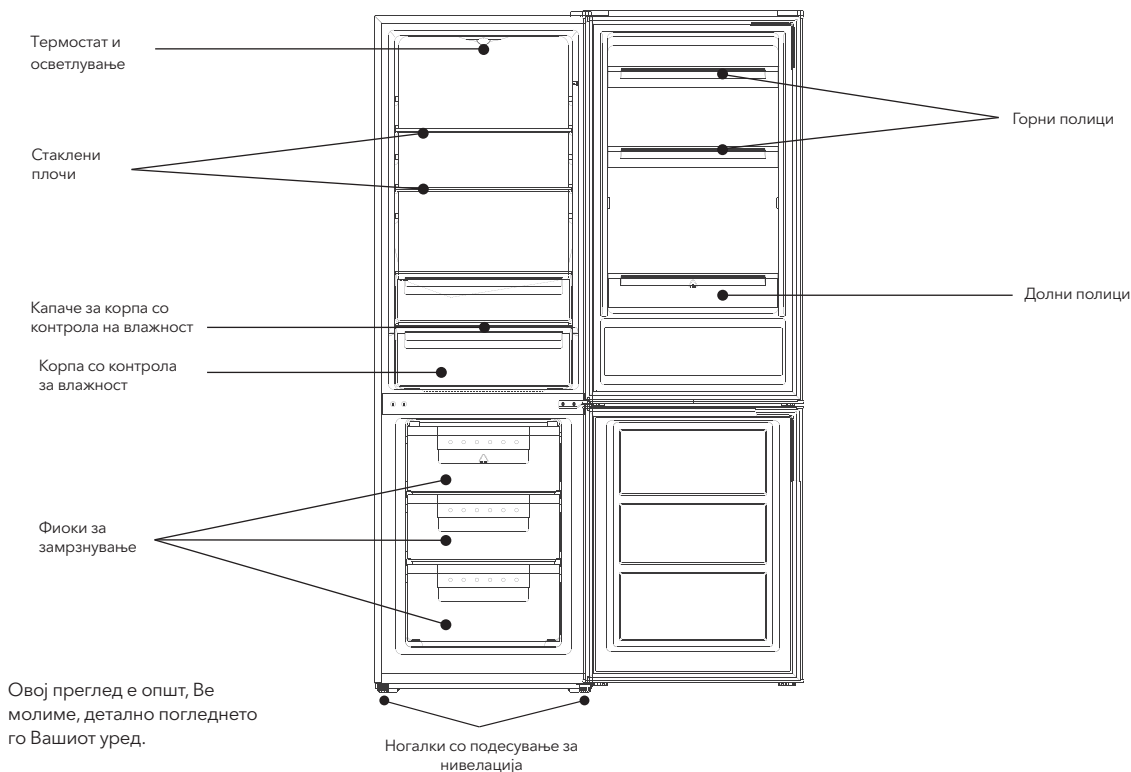


### ПРЕДУПРЕДУВАЊЕ!

При употреба, сервисирање и отстранување на уредот, имајте ја на ум ознаката како ознаката прикажана на сликата лево, која се наоѓа на задниот дел на уредот (табла или компресор на задниот дел на уредот), а која е со жолта или портокалова боја. Оваа ознака претставува симбол за ризик од пожар. Во цевките за разладно средство и во компресорот се наоѓаат запаливи материјали. Ве молиме за време на употребата, сервисирањето и отстранувањето, уредот да го држите подалеку од извор на пожар.



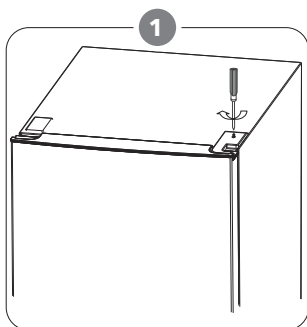
# ПРЕГЛЕД



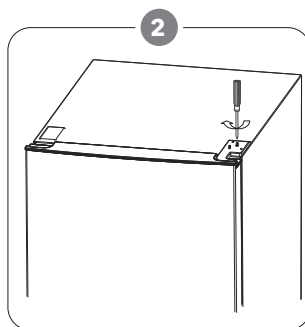
## ЗАМЕНА НА НАСОКАТА ЗА ОТВОРАЊЕ НА ВРАТАТА

Потребен алат: Philips-одвртувач, рамен одвртувач, шестоаголен клуч.

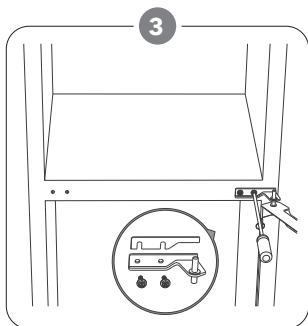
- Погрижете се уредот да биде исклучен и празен.
- Со цел да се отстрани вратата, потребно е уредот да го повлечете наназад. Уредот треба да биде поставен на тврда подлога, како не би се лизнал при отстранување на вратата.
- Сите отстранети делови мораат да бидат сочувани поради повторно инсталирање на вратата.
- Уредот не го поставувајте во хоризонтална положба, бидејќи така може да се оштети системот за ладење.
- Се препорачува две личности да учествуваат во монтирањето.



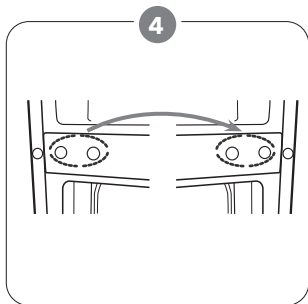
Одштрафете и  
отстранете го  
штитникот за шарката.



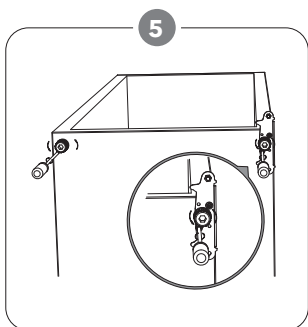
Одштрафете ја и  
отстранете ја шарката.



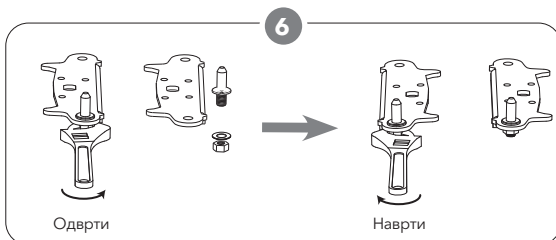
Одштрафете ја средната шарка. Подигнете го горниот дел од вратата и поставете го на мека подлога како би одбегнале изгребаници.



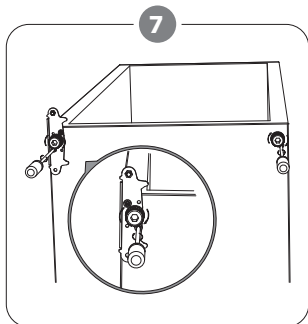
Преместете ги штитниците за дупките од шарките од левата на десната страна.



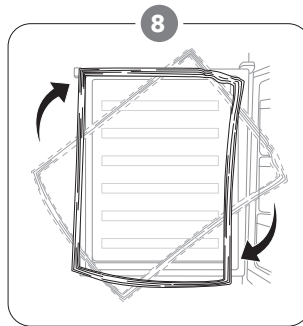
Одштрафете ја долната шарка. Потоа отстранете ги ногалките за подесување на двете страни.



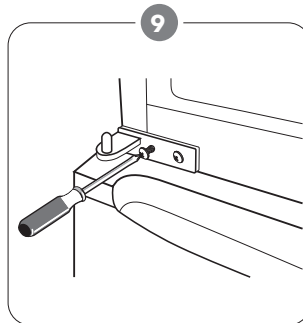
Одвртете ја и отстранете ја долната игла од шарката, свртете го држачот и потоа вратете го назад.



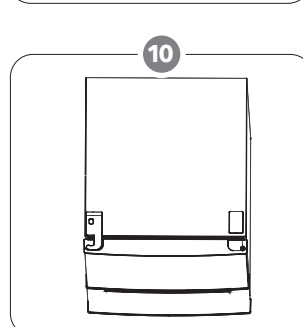
Повторно поставете го потпирачот, така што ќе ја поставите иглата. Вратете ги двете ногалки за подесување. Преместете ја долната врата на позиција која ви одговара.



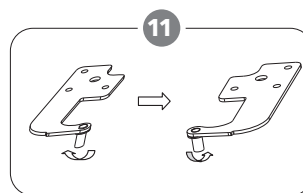
Отстранете ги заптивките од вратата на фрижидерот и замрзнувачот и потоа прикачете ги откако ќе ги ротирате.



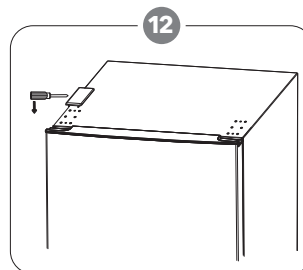
Свртете ја долната шарка за 180°, потоа преместете ја на левата страна. Поставете ја средната игла во горната дупка од долната врата и затегнете го навојот.



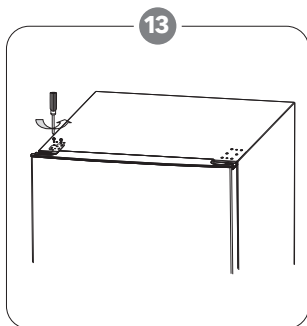
Повторно поставете ја горната врата. Погрижете се да вратата биде порамнета хоризонтално и вертикално, така да гумата лежи на сите страни пред конечно да ја прицврстите горната шарка.



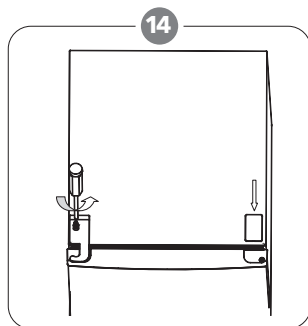
Одвртете ја иглата за шарката и свртете ја шарката, а потоа вратете ја иглата.



Отворете го штитникот на дупките за шарките.



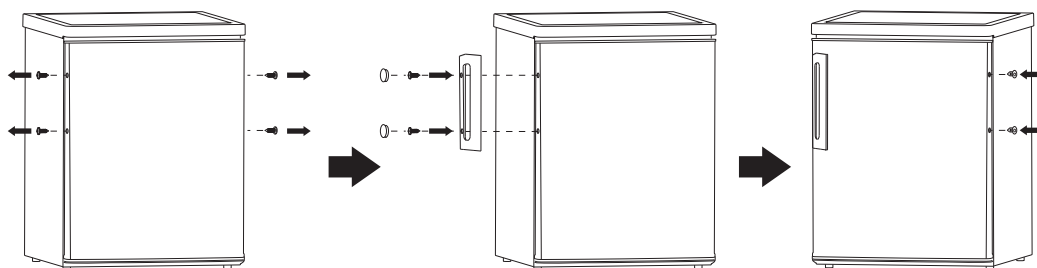
Поставете шарка на левата страна.



Поставете штитник за шарка на левата страна и штитник за дупка за шарка на десната страна.

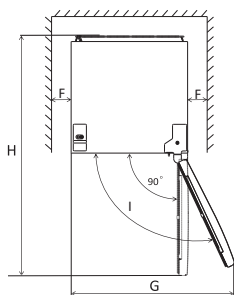
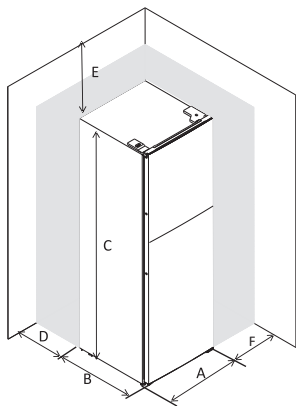
## ВГРАДУВАЊЕ НА УРЕДОТ

Поставете надворешна рачка за врата (доколку надорешна рачка постои)



### Потребен простор

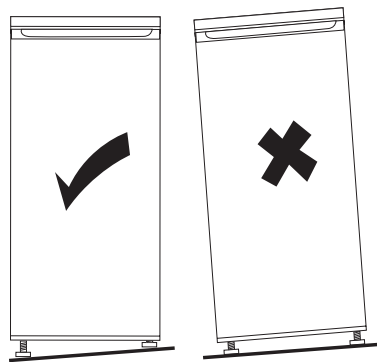
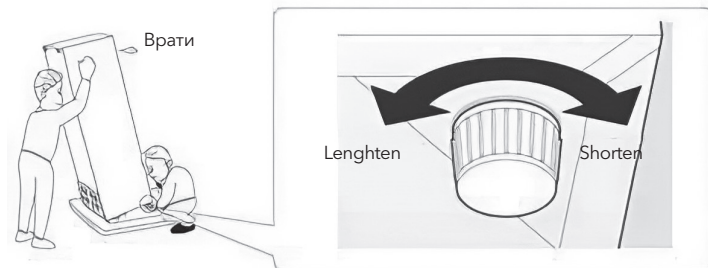
- Чувајте доволно простор за отворена врата.
- Чувајте најмалку 50мм јаз од двете страни и назад.



A	600
B	605
C	1858
D	min=50
E	min=50
F	min=50
G	1200
H	1205
I	135°

## Израмнување на уредот

За да го направите ова, прилагодете ги двете ногарки за израмнување пред уредот. Ако уредот не е на ниво, подесувањето на вратите и на магнетната заптивка нема да бидат покриени правилно.



## Позиционирање

Инсталирајте го овој уред на локација каде што температурата на околината одговара на климатската класа наведена на табличката за оценување на апаратот:

За уреди за ладење со клима класа:

- проширено умерена: овој уред за ладење е наменет да се користи на амбиентални температури од 10 °C до 32 °C (SN);
- умерена: овој уред за ладење е наменет да се користи на амбиентални температури од 16 °C до 32 °C (N);
- суптропски: овој уред за ладење е наменет да се користи на амбиентални температури од 16 °C до 38 °C (ST);
- тропски: овој уред за ладење е наменет да се користи на амбиентални температури од 16 °C до 43 °C (T);

## Локација

Уредот треба да биде поставен подалеку од извори на топлина како што се шпорети, радијатори, болјери, изложување на директна сончева светлина и сл. Погрижете се, воздухот да може слободно да циркулира околу задниот дел од фрижидерот, како би можеле да постигнете оптимални перформанси. Доколку уредот е поставен под висечки елементи, минималниот простор помеѓу горниот дел од уредот и висечкиот елемент треба да биде барем 50 mm. Идеално би

било, кога уредот не би се поставувал под висечки елементи. Нивелацијата која Ви одговара се постигнува со помош на една или повеќе ногалки кои се подесуваат, во зависност од уредот. Овој уред за ладење не е наменет да се користи како вграден апарат;

### ⚠ ПРЕДУПРЕДУВАЊЕ!

Прекилот на напојување на уредот мора да биде овозможен. Од тие причини, приклучокот мора да биде достапен, по поставувањето на уредот.

## Приклучување на струја

Пред вклучувањето, проверете дали напонот и фреквенцијата прикажани на табелата со спецификации, одговараат со напонот на струјата во домаќинството. Уредот мора да има заземјување. Кабелот за електрично напојување е опремен со контакт за таа намена. Доколку приклучните места во домаќинството немаат заземјување, тогаш приклучете го уредот на издвоено заземјување, во согласност со важечките прописи; консултирајте се со квалификуван електричар. Производителот не сноси никаква одговорност, доколку погоре наведените превентивни мерки не се запазени. Овој уред ги исполнува условите од ЕЕС-директивите.

## ДНЕВНА УПОТРЕБА

### Прва употреба

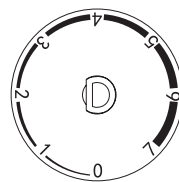
#### Чистење на внатрешноста на уредот

Пред првото користење, очистете ја внатрешноста и сите внатрешни елементи со млека вода и неутрален сапун, како би го отстраниле типичниот мирис на нов производ, а потоа добро исушете го.

**ВАЖНО!** Не користете детергенти или абразивни средства, бидејќи истите можат да ја оштетат површината.

### Подесување на температурата

- Вклучете го својот уред. Внатрешната температура е регулирана со термостат. Постојат 8 нивоа на температура, 1 е најтопло ниво, 7 е најладно, и 0 значи дека уредот е исклучен.
- Уредот можеби нема да работи на правилната температура, ако се наоѓа во многу топло опкружување.

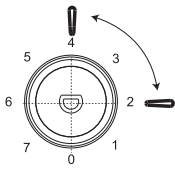
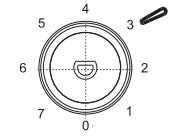
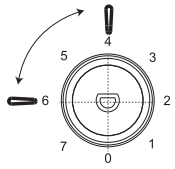


## Дневна употреба

Поставете различна храна во различни делови според табелата подолу

Делови на фрижидерот	Вид на храна
Врата или прегради на фрижидерот	<ul style="list-style-type: none"> <li>• Храна со природни конзерванси, како што се мармалади, сокови, пијалоци, мирудии.</li> <li>• Не чувајте храна што може да се расипе</li> </ul>
Фиока (фиока за салата)	<ul style="list-style-type: none"> <li>• Овошјето, билките и зеленчукот треба да се стават одделно во фиоката.</li> <li>• Не чувајте банани, кромид, компир, лук во фрижидер.</li> </ul>
Полица на фрижидерот - средна	<ul style="list-style-type: none"> <li>• Млечни производи, јајца</li> </ul>
Полица на фрижидерот - горна	<ul style="list-style-type: none"> <li>• Храна за која не е потребно готвење, како што е готова храна, деликатесни меса, остатоци.</li> </ul>
Фиока / полица на замрзнувач	<ul style="list-style-type: none"> <li>• Храна за долгорочно складирање.</li> <li>• Долна фиока / полица за сурово месо, живина, риба.</li> <li>• Средна фиока / полица за замрзнат зеленчук, чипс.</li> <li>• Горна фиока / полица за сладолед, замрзнато овошје, замрзнати печива.</li> </ul>

## Препорака за поставување температура

Температура на околината	Дел на замрзнувачот	Дел на фрижидерот
Лето	/	 <p>Поставен на 2~4</p>
Нормално	/	 <p>Поставен на 3</p>
Зима	/	 <p>Поставен на 4~6</p>

## Влијание врз складирањето храна

- Под Препорачана поставка, најдобро време за складирање во фрижидер е не подолго од 3 дена.
- Под Препорачана поставка, најдобро време за складирање во замрзнувач е не повеќе од 1 месец.
- Најдоброто време за складирање може да се намали под други поставки.

## Замрзнување на свежа храна

- Делот за замрзнување е погоден за замрзнување на свежа храна и чување на заледена и длабоко замрзната храна на подолг временски период.
- Свежата храна поставете ја во преградата која се наоѓа на дното, како би можеле да ја замрзнете.
- Максималната количина на храна која може да се заледи во 24 часа е наведена во табелата со спецификации.

- Процесот на замрзнување трае 24 часа: во текот на тој период не додавајте повеќе храна, која е предвидена за се замрзне.

## Чување на замрзната храна

Доколку се вклучи за првпат или после подолг период бил неупотребен, пред поставувањето на храна во преградите, уредот треба да работи најмалку 2 часа, подесен на највисока вредност.

**ВАЖНО!** Доколку дојде до случајно одмрзнување, на пример, доколку снеса струја на подолг временски период отколку што е прикажано во техничките карактеристики во делот "rising time", замрзнатата храна мора брзо да се употреби и веднаш термички да се обработи, а потоа повторно да се замрзне (откако е припремена).

## Одмрзнување

- Длабоко замрзнатата или заледена храна, пред употреба може да се одмрзне или во преградите на фрижидерот или на собна температура, во зависност од расположливото време.
- Помалите парчиња можат и веднаш да се припремаат за јадење, иако и понатаму се заледени, директно од замрзнувачот. Во овој случај припремата на храна трае подолго.

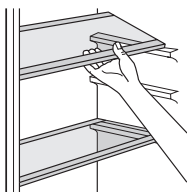
## Коцки лед

Овој уред можеби не е опремен со еден или повеќе садови за правење на коцки лед.

## Пратечки елементи

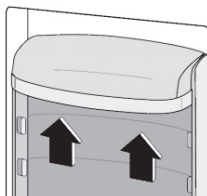
### Полици кои можат да се поместуваат

Сидовите на фрижидерот имаат низа жлебови, така да полиците можат да се поместуваат по желба.



## Подесување на полиците на вратите

Со цел да се овозможи одложување на храна од различни величини, полиците на вратите можат да бидат подесени на различни нивоа. Како би можеле да се прилагодат, потребно е да се направи следното: постепено спуштајте ја полицата во насока на стрелките, се додека не биде слободна, а потоа позиционирајте ја по потреба.



## Корисни совети

Како би можеле што подобро да го искористите процесот на замрзнување, Ви нудиме неколку важни совети:

- максималната количина на храна која може да се замрзне е наведена на табелата со спецификации;
- процесот на замрзнување трае 24 часа. Во текот на тој период не додавајте повеќе храна, која е предвидена да се замрзне;
- замрзнувајте само квалитетна, свежа и потполно исчистена храна;
- храната треба да биде поделена во помали порции, како би било овозможено брзо и потполно замрзнување, и како би можела подоцна да се одмрзне само потребната количина;
- храната завиткајте ја во алуминиумски или полиетиленски фолии и погрижете се пакувањето да не пропушта воздух;
- не дозволувајте свежата, незаледена храна да дојде во допир со веќе заледената, како би одбегнале пораст на температурата;
- безмастната храна се чува подобро и подолго од храната со масти;
- доколку коцките лед се употребат веднаш штом се извадени од замрзнувачот, можат да предизвикаваат осип (смрзнатина) на кожата;
- отстранувањето на храна од делот за замрзнување може да предизвика осип (смрзнатина) на кожата;
- се советува, на секое покување храна која е смрзната да се

наведе датум на замрзнување, да би знаеле колку долго се чува.

## Совети за чување на замрзната храна

Како би можеле да добиете најдобар перформанс од овој уред, треба да:

- проверете, дали комерцијално замрзнатата храна е адекватно чувана од страна на нејзиниот продавач;
- погрижете храната да биде пренесена од продавницата до замрзнувачот во најкраток можен рок;
- не ја отворајте вратата често, и не оставајте ја отворена подолго отворена отколку што е потребно. Храната која еднаш веќе е одмрзната брзо пропаѓа и не може да биде повторно замрзната;
- внимавате на рокот на чување, кој е назначен од страна на производителот.

## Совети за ладење на свежа храна

Како би можеле да добиете најдобар перформанс:

- не чувајте храна или течност која испарува во фрижидерот;
- покријте ја или завиткајте ја храната, особено ако има јак мирис;
- сите видови: завиткајте ги во полиетиленски кеси и поставете ги на стаклени плочи над фиоките за зеленчук;
- поради сигурност, храната на овој начин чувајте ја еден ден, најмногу два;
- овошје и зеленчук: треба да бидат темелно измиени и одложени во фиока наменета за нивно чување;
- готвените јадења, ладните јадења и сл., треба да бидат покриени и можат да се одложат на било која полица;
- путер и сирење: треба да бидат ставени во посебни садови кои не пропуштаат воздух, или завиткани во алуминиумски фолии или полиетиленски кеси, како би се отстранил што повеќе воздух;
- шишињата со млеко/јогурт: треба да бидат затворени и да се чуваат на полиците на вратите;
- банани, компири, лук и кромид, доколку не се спакувани, не треба да се чуваат во фрижидерот.

## Чистење

Од хигиенски причини, внатрешноста на уредот, вклучувајќи ги и внатрешните елементи, треба да се чистат редовно.

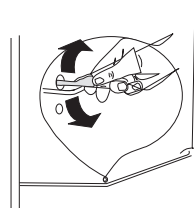
### ⚠ ВНИМАНИЕ!

Уредот не смее да биде поврзан на струја во текот на чистењето. Постои опасност од струен удар! Пред чистење на уредот, исклучете го и прекинете го напојувањето на електрична енергија, или исклучете ја автоматската склопка или осигурувач. Уредот не го чистете со други чистачи на пара. Влагата може да се насобере во електричните компоненти и да предизвика струен удар! Жешкото миене може да доведе до оштетување на пластичните делови. Уредот мора да биде сув, пред повторно да се употребува.

**ВАЖНО!** Етеричните уља и органските растворувачи можат да ги нагрзаат пластичните делови, на пример, лимонев сок, сок од кора од портокал, карбоксилна киселина или средства кои користат млечна киселина.

## Чистење на одводот

Како би избегнале да одледената вода навлегува во фрижидерот, повремено зачистете го делот за одвод на задната страна од делот за ладење. Користете средство за чистење како што е прикажано на сликата.



- не користете абразивни средства за чистење;
- отстранете ја храната од замрзнувачот. Храната чувајте ја на ладно место и добро покријте ја;
- исклучете го уредот и прекинете го дотокот на електрична енергија или исклучете ја автоматската склопка или осигурувач;
- очистете го уредот и внатрешните елементи со ткаенина и млека вода. По чистењето измијте ги со чиста вода и исушете ги со крпа;
- откако се ќе биде суво, повторно вклучете го уредот.

- отстранете ја храната од уредот, замотајте ја во неколку слоеви на новина и одложете ја на ладно место;
- држете ја вратата отворена, и не поставувајте премногу длабок сад под уредот, као би се собрала одледената вода;
- кога процесот на одледување ќе биде готов, темелно исушете ја внатрешноста, а потоа повторно поврзете го уредот на напојување.

## Менување на сијалици

### ! ВНИМАНИЕ!

Внатрешното светло е од типот на LED-светла. За да ја отстраните сијалицата, Ве молиме да контактирате со квалификуван мајстор.



## Подмрзнување на замрзнувачот

Со текот на времето делот за замрзнување може да биде прекриен со слој од лед. Тој треба да се отстрани. Никогаш немојте да користите остри метални алати да би го отстраниле ледот, бидејќи на тој начин може да се оштети.

Сепак, доколку слојот од лед е прилично дебел од внатрешната страна, процесот за одледување треба да се изработи на следниот начин:

- прекинете го напојувањето со струја на уредот;

## РЕШАВАЊЕ НА ПРОБЛЕМИ

### ! ВНИМАНИЕ!

Пред решавањето на проблемите, прекинете го напојувањето со електрична енергија. Само квалификуван електричар или компетентна личност треба да го решат проблемот кој не е наведен во ова упатство.

**ВАЖНО!** Постојат одредени звуци, кои уредот ги произведува при нормално работење и употреба (компресор, разладниот дел од уредот).

Проблем	Можна причина	Решение
Уредот не работи.	Регулаторот за температура е поставен на "0".	Поставете го регулаторот за температура на некој друг број, како би го вклучиле уредот.
	Приклучокот не е приклучен или прекинат.	Вметнете го приклучокот.
	Осигурувачот е исклучен или неисправен.	Проверете го осигурувачот, заменете го ако е потребно.
	Приклучокот е неисправен.	Оштетувањата на приклучокот треба да ги поправи електричар.
Храната е претопла.	Температурата не е правилно подесена.	Ве молиме, погледнете го делот за основно ниво на температура.
	Врата била отворена долг период.	Чувајте ја вратата отворена толку, колку што е потребно.
	Поголема количина на топла храна е ставена во уредот во последните 24 часа.	Подесете го регулаторот на температура, привремено, на ниска температура.
	Уредот е блиску до извор на топлина.	Ве молиме, погледнете го делот за локација и инсталација.
Уредот премногу лади.	Регулаторот на температура е подесен на многу ладно.	Подесете го регулаторот, привремено, на висока температура.
Необични звуци.	Уредот не е нивелиран.	Повторно подесете ги ногалките.
	Уредот допира до сид или други предмети.	Малку поместете го уредот.
	Дел, како што е цевковод на задната страна од уредот, допира други делови од уредот или сид.	Доколку е потребно, внимателно отстранете го делот кој претставува препрека.
Вода на под.	Одводот е блокиран.	Погледнете го делот - Чистење и одржување.
Плочите на страна се топли.	Кондензаторот е во внатрешноста на плочите.	Тоа е нормално.

Доколку повторно се појави дефект, контактирајте го Сервисниот центар.

## INFORMAȚII DE SIGURANȚĂ


În interesul siguranței dvs. și pentru a vă asigura o utilizare corectă, înainte de instalare și prima utilizare a aparatului, citiți cu atenție acest manual de utilizare, inclusiv indicii și avertismente. Pentru a evita greșelile și accidentele inutile, este important să vă asigurați că toate persoanele care folosesc aparatul sunt familiarizate cu funcționarea și siguranța acestuia. Salvați aceste instrucțiuni și asigurați-vă că rămân cu aparatul dacă este mutat sau vândut, astfel încât toată lumea care îl utilizează de-a lungul funcționării sale să fie informat în mod corespunzător cu privire la utilizarea și siguranța aparatului.


Pentru siguranța vieții și a proprietății, păstrați măsurile de precauție din aceste instrucțiuni ale utilizatorului, deoarece producătorul nu este responsabil pentru daunele cauzate de omisiune.

### Siguranța copiilor și a persoanelor vulnerabile

- Acest aparat poate fi utilizat de copii cu vârsta peste 8 ani și mai mari și persoane cu capacități fizice, senzoriale sau mentale reduse sau lipsă de experiență și cunoștințe dacă au supraveghere sau li s-au dat instrucțiuni privind utilizarea aparatului într-un mod sigur și înțeleg pericolele implicate.
- Copiii cu vârste între 3 și 8 ani au voie să încarce și să descarce acest aparat.
- Copiii trebuie supravegheați pentru a se asigura că nu se joacă cu aparatul.
- Curățarea și întreținerea nu trebuie să fie efectuate de către copii, cu excepția cazului în care au vârsta peste 8 ani și supravegheat.
- Păstrați toate ambalajele departe de copii. Există risc de sufocare.
- Dacă aruncați aparatul scoateți ștecherul din priză, tăiați cablul de conectare (cât mai aproape de aparat) și scoateți ușa pentru a împiedica copiii să sufere electrocutare sau să îl închidă.
- Dacă acest aparat dispune de o etanșare magnetică a ușii pentru a înlocui un aparat mai vechi care are blocare cu arc (zăvor) pe ușă sau capac, asigurați-vă că nu este utilizabil acest arc înainte de a arunca aparatul vechi. Acest lucru îl va împiedica să devină un pericol pentru un copil.

### Siguranță generală

** AVERTISMENT!** Păstrați orificiile de ventilație, în incinta aparatului sau în structura încorporată, fără obstacole.

** AVERTISMENT!** Nu folosiți dispozitive mecanice sau alte mijloace pentru a accelera procesul de decongelare, altele decât cele recomandate de producător..

** AVERTISMENT!** Nu deteriorați circuitul refrigerantului.



**⚠️ AVERTISMENT!** Nu folosiți alte aparate electrice (cum ar fi aparate de înghețată) în interiorul aparatelor frigorifice, cu excepția cazului în care acestea sunt aprobate în acest scop de către fabricație.

**⚠️ AVERTISMENT!** Nu atingeți becul dacă a fost aprins o perioadă lungă de timp, deoarece ar putea fi foarte cald.<sup>1</sup>

**⚠️ AVERTISMENT!** Când poziționați aparatul, asigurați-vă că cablul de alimentare nu este prins sau deteriorat.

**⚠️ AVERTISMENT!** Nu localizați mai multe prizele portabile sau furnizori de energie portabilă în partea din spate a aparatului.

- Nu depozitați substanțe explozive, cum ar fi cutii de aerosoli, cu un propulsor inflamabil în acest aparat.
- Izobutena frigorifică (R600a) este în circuitul de refrigerare al aparatului, un gaz natural cu un nivel ridicat de compatibilitate cu mediul, care este totuși inflamabil.
- În timpul transportului și instalării aparatului, asigurați-vă că niciuna dintre componentele circuitului frigorific nu este deteriorată.
  - evitați flăcările deschise și sursele de aprindere
  - ventilați complet camera în care se află aparatul
- Este periculos să modificați specificațiile sau să modificați acest produs în orice fel. Orice deteriorare a cablului poate provoca un scurtcircuit, incendiu și / sau șoc electric.
- Acest aparat este destinat să fie utilizat într-o gospodărie și aplicații similare cum ar fi:
  - bucătării personalului din magazine, birouri și alte medii de lucru;
  - case ferme și de către clienți din hoteluri, moteluri și alte medii de tip pensiune;
  - medii tip pensiune;
  - catering.

**⚠️ AVERTISMENT!** Orice componente electrice (ștecher, cablul de alimentare, compresor etc.) trebuie înlocuite de un service autorizat sau personal de service calificat.

**⚠️ AVERTISMENT!** Becul furnizat cu acest aparat este un „bec de uz special” utilizabil numai la aparatul furnizat. Această „lampă cu uz special” nu este utilizabilă pentru iluminatul casnic.<sup>1</sup>

- Cablul de alimentare nu trebuie să fie întins.
- Asigurați-vă că ștecherul nu este stropit sau deteriorat de partea din spate a aparatului. Un conector de alimentare ghemuit sau deteriorat se poate supraîncălzi și poate provoca un incendiu.

<sup>1</sup> Dacă există o lumină în compartiment.

- Asigurați-vă că puteți accesa mufa principală a aparatului. Nu trageți cablul principal.
- Nu trageți cablul principal.
- Dacă priza de alimentare este liberă, nu introduceți fișa de alimentare. Există riscul de electrocutare sau incendiu.
- Nu trebuie să acționați aparatul fără lampă.
- Acest aparat este greu. Trebuie să aveți grijă atunci când îl mutați.
- Nu îndepărtați și nu atingeți obiectele din compartimentul congelatorului dacă mâinile sunt umede / ude, deoarece acest lucru ar putea provoca abraziuni ale pielii sau arsuri la îngheț / congelator.
- Evitați expunerea prelungită a aparatului la lumina directă a soarelui.

## Utilizare zilnică

- Nu puneți obiecte calde pe piesele de plastic din aparat.
  - Nu așezați produsele alimentare direct pe peretele din spate.
  - Alimentele congelate nu trebuie re-congelate odată ce au fost decongelate<sup>2</sup>
  - Depozitați alimentele congelate preambalate în conformitate cu instrucțiunile de fabricare a alimentelor congelate.<sup>2</sup>
  - Recomandările de stocare trebuie respectate cu strictețe. Consultați instrucțiunile relevante.
  - Nu așezați gaze carbogazoase în compartimentul congelator, deoarece creează presiune pe recipient, ceea ce poate provoca explozie, ceea ce duce la deteriorarea aparatului.<sup>2</sup>
  - Cuburile de gheață pot provoca arsuri de îngheț dacă sunt consumate direct din aparat.<sup>2</sup>
  - Cuburile de gheață pot provoca arsuri de îngheț dacă sunt consumate direct din aparat.<sup>2</sup>
- Pentru a evita contaminarea alimentelor, respectați instrucțiunile următoare
- Deschiderea ușii pentru perioade lungi poate provoca o creștere semnificativă a temperaturii în compartimentele aparatului.
  - Curățați cu regularitate suprafețele care pot intra în contact cu alimentele și sistemele de drenare accesibile.
  - Rezervoarele de apă curată dacă nu au fost folosite timp de 48 ore; spălați sistemul de apă conectat la o alimentare cu apă, dacă apa nu a fost extrasă timp de 5 zile.
  - Depozitați carnea crudă și peștele în recipiente adecvate la frigider, astfel încât să nu intre în contact cu sau să se scurgă pe alte alimente.
  - Compartimentele cu două stele pentru alimente congelate (dacă sunt

<sup>2</sup> Dacă există un compartiment congelator.

prezentate în aparat) sunt potrivite pentru depozitarea alimentelor precongelate, pentru depozitarea sau prepararea înghețatei și pentru fabricarea cuburilor de gheață.

- Compartimentele cu una, două și trei stele (dacă sunt prezentate în aparat) nu sunt potrivite pentru înghețarea alimentelor proaspete.
- Dacă aparatul este lăsat gol pentru perioade îndelungate, opriți, dezghețați, curățați, uscați și lăsați ușa deschisă

## Îngrijire și curățare

- Înainte de întreținere, opriți aparatul și deconectați mufa principală de la priza electrică.
- Nu curățați aparatul cu obiecte metalice.
- Nu folosiți obiecte ascuțite pentru a îndepărta gheața din aparat. Folosiți un răzuitor de plastic.<sup>2</sup>
- Examinați regulat scurgerea din frigider pentru apă decongelată. Dacă este necesar, curățați. Dacă scurgerea este blocată, apa se va colecta în partea inferioară a aparatului.<sup>3</sup>

## Instalarea

- **IMPORTANT!** Pentru conexiune electrică, urmați cu atenție instrucțiunile din paragrafele specifice.
- Despachetați aparatul și verificați dacă există daune. Nu conectați aparatul dacă este deteriorat. Raportați posibile daune imediat locului în care l-ați cumpărat. În acest caz, păstrați ambalajul.
- Este recomandabil să așteptați cel puțin patru ore înainte de conectarea aparatului pentru a permite uleiului să revină în compresor.
- Ar trebui să fie asigurată o circulație adecvată a aerului în jurul aparatului, ceea ce duce la supraîncălzire. Pentru a obține o ventilație suficientă, urmați instrucțiunile relevante pentru instalare.
- Ori de câte ori este posibil, distanțierile produsului trebuie să fie împotriva unui perete pentru a evita atingerea sau prinderea părților calde (compresor, condensator) pentru a preveni o posibilă ardere.
- Aparatul nu trebuie să fie amplasat în apropierea caloriferelor sau aragazelor.
- Asigurați-vă că mufa principală este accesibilă după instalarea aparatului.

## Service

- Orice lucrare electrică necesară pentru efectuarea service-ului aparatului trebuie efectuată de un electrician calificat sau de o persoană calificată.

<sup>2</sup> Dacă există un compartiment congelator.


<sup>3</sup> Dacă există un compartiment de depozitare a alimentelor proaspete.



- Acest produs trebuie deservit de un centru de service autorizat și trebuie utilizate doar piese de schimb autentice.

## Economisirea energiei

- Nu puneți alimente calde în aparat;
- Nu împachetați alimentele strâns, deoarece acest lucru împiedică circulația aerului;
- Asigurați-vă că mâncarea nu atinge partea din spate a compartimentului;
- Dacă energia electrică se oprește, nu deschideți ușile;
- Nu deschideți ușile frecvent;
- Nu mențineți ușile deschise mult timp;
- Nu setați termostatul la depășirea temperaturilor reci;
- Toate accesoriile, cum ar fi sertarele, rafturile trebuie păstrate acolo pentru un consum mai mic de energie.

## Protecția mediului

 Acest aparat nu conține gaze care ar putea deteriora stratul de ozon, nici în circuitul său de refrigerare, nici în materialele de izolare. Aparatul nu trebuie aruncat împreună cu deșeurile și gunoiul urban. Spuma de izolație conține gaze inflamabile: aparatul trebuie aruncat în conformitate cu reglementările aparatului care pot fi obținute de la autoritățile locale. Evitați deteriorarea unității de răcire, în special schimbătorul de căldură. Materialele utilizate pe acest aparat marcate cu simbolul ♻ sunt reciclabile.

 Simbolul de pe produs sau de pe ambalajul său indică faptul că acest produs nu poate fi tratat ca deșeurile menajere. În schimb, ar trebui dus la  punctul de colectare corespunzător pentru reciclarea echipamentelor electrice și electronice. Prin asigurarea că acest produs este eliminat în mod corect, veți ajuta la prevenirea consecințelor negative potențiale asupra mediului și sănătății umane, care ar putea fi cauzate în alt mod de manipularea necorespunzătoare a acestui produs. Pentru informații mai detaliate despre reciclarea acestui produs, vă rugăm să contactați consiliul local, serviciul de eliminare a deșeurilor menajere sau magazinul de unde ați achiziționat produsul.

## **Materiale de ambalare**

Materialele cu acest simbol sunt reciclabile. Eliminați ambalajul într-un recipient de colectare adecvat pentru a-l recicla.

## Eliminarea aparatului

1. Deconectați mufa de la priză.
2. Tăiați cablul de alimentare și aruncați-l.



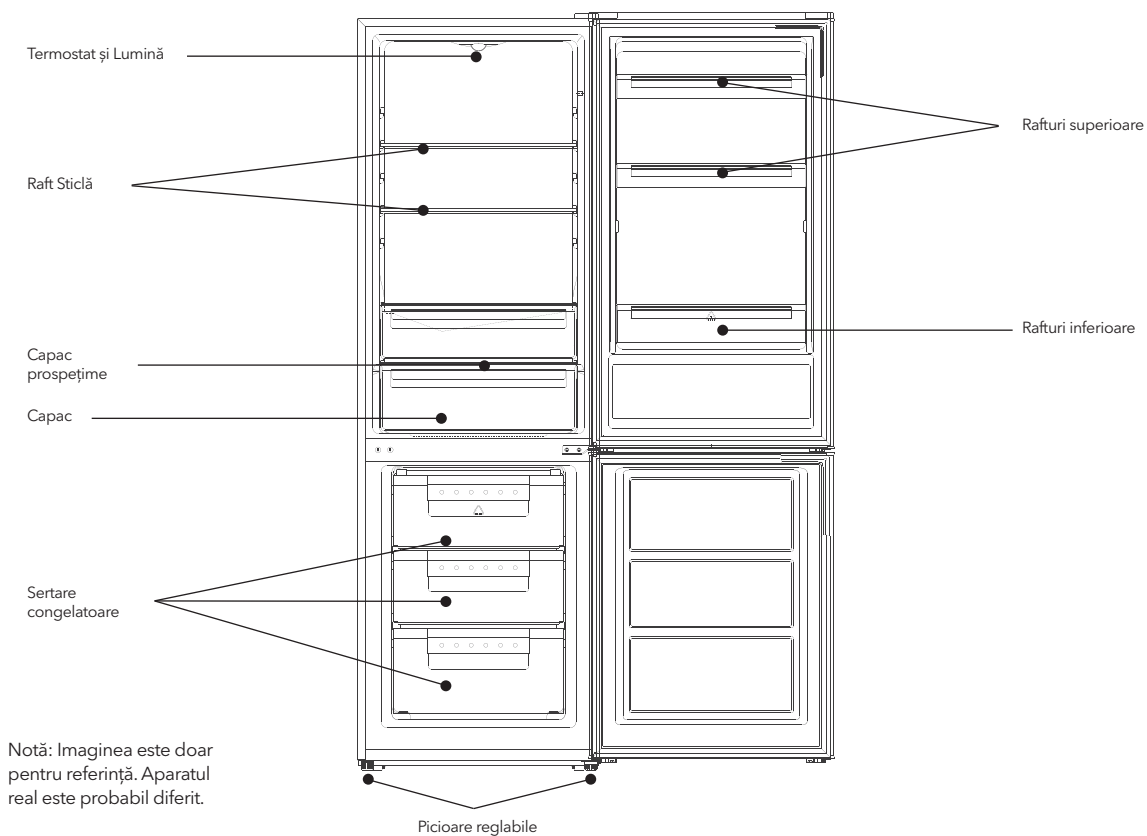
### AVERTISMENT!

În timpul utilizării, deservirii și eliminării aparatului, vă rugăm să acordați atenție simbolurilor similare din partea stângă, care se află în spatele aparatului (panoul din spate sau compresor) și cu culoare galbenă sau portocalie.

Este riscul simbolului de avertizare la incendiu. Există materiale inflamabile în interior conducte frigorifice și compresor.

Vă rugăm să fiți departe sursa de incendiu în timpul utilizării, al serviciului și al eliminării.

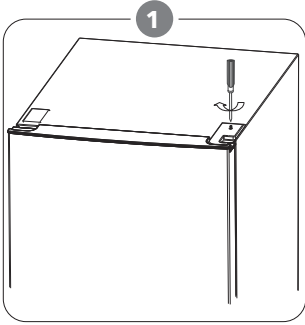
## PREZENTARE GENERALĂ



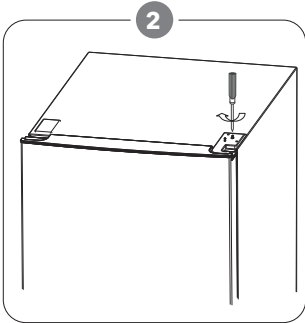
# UȘĂ REVERSIBILĂ

Instrumente necesare: șurubelniță Philips, șurubelniță cu capăt drept, cheie hexagonală.

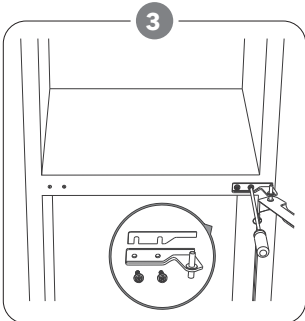
- Asigurați-vă că unitatea este deconectată și goală.
- Pentru a scoate ușa, este necesar să înclinați unitatea pe spate. Așezați unitatea pe ceva solid, astfel încât să nu alunece în timpul procesului de inversare a ușii.
- Toate piesele scoase trebuie păstrate pentru a face reinstalarea ușii.
- Nu așezați unitatea pe spate deoarece acest lucru poate deteriora sistemul de răcire.
- Este mai bine ca două persoane să se ocupe de unitate în timpul asamblării.



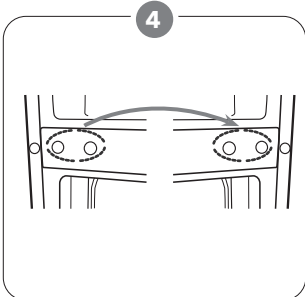
Îndepărtați cele patru șuruburi din capacul superior și apoi ridicați-l.



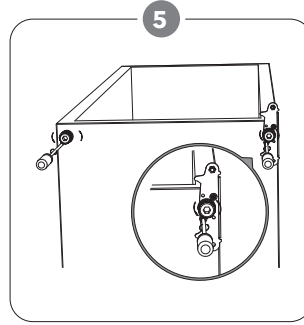
Deșurubați și îndepărtați balamaua.



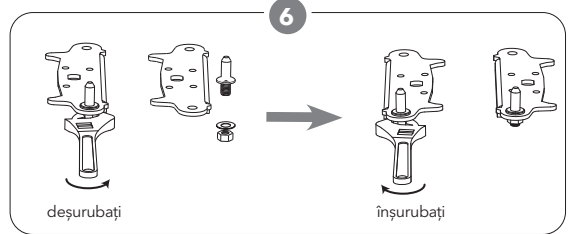
Deșurubați balamaua mijlocie. Apoi ridicați ușa inferioară și așezați-o pe o suprafață moale pentru a evita zgărirea.



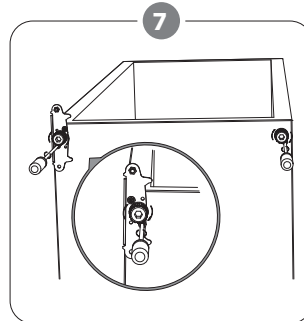
Deplasați capacele gaurilor de balama din partea stângă spre partea dreaptă.



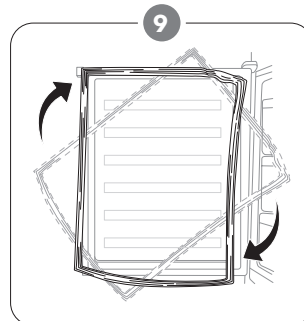
Deșurubați balamaua de jos. Apoi scoateți picioarele reglabile din ambele părți.



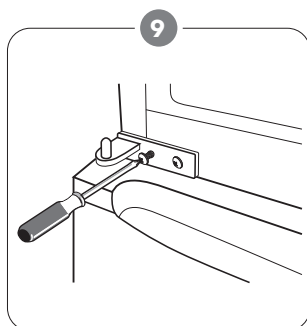
Deșurubați și îndepărtați știftul de la balamaua de jos, întoarceți suportul și înlocuiți-l.



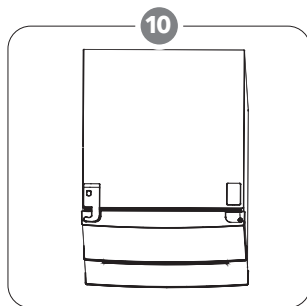
Reinstalați suportul care se potrivește cu știftul articulației de jos. Înlocuiți ambele picioare reglabile. Transferați ușa inferioară în poziție.



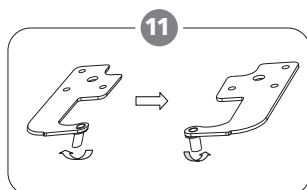
Scoateți garniturile ușii frigiderului și congelatorului și apoi fixați-le după rotire.



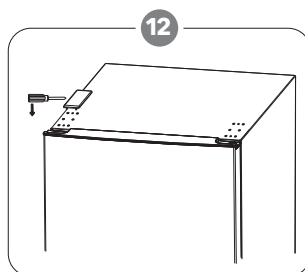
9  
Inversați balamaua mijlocie cu 180°, apoi transferați-o în poziția din partea stângă. Băgați știftul de balama din mijloc în gaura superioară a ușii inferioare, apoi strângeți șuruburile.



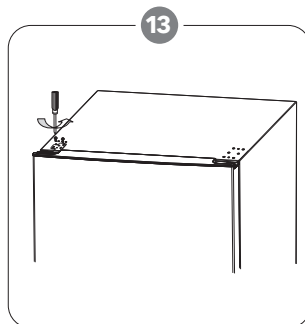
10  
Așezați ușa superioară din nou. Asigurați-vă că ușa este aliniată orizontal și vertical, astfel încât garniturile să fie închise pe toate părțile înainte de a strânge în sfârșit balamaua superioară. Apoi inserați balamaua și înșurubați-o în partea din față a unității.



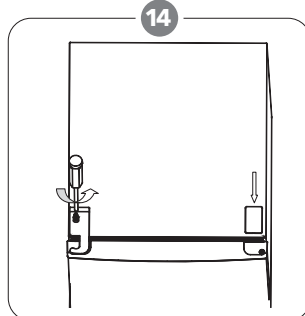
11  
Deșurubați știftul și întoarceți balamaua, apoi reinstalați știftul.



12  
Ridicați capul găurii de balamalei.



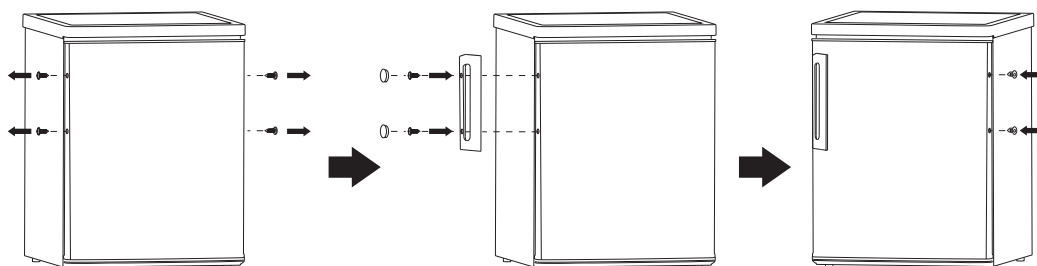
13  
Fixați balamaua din stânga.



14  
Fixați capul balamalei din stânga și capul găurii balamalei din dreapta.

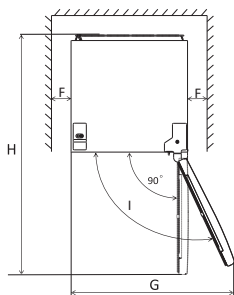
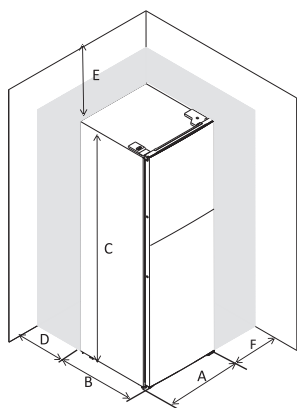
## INSTALAREA

Instalați mânerul exterior al ușii (dacă există mâner extern)



## Cerință Spațiu

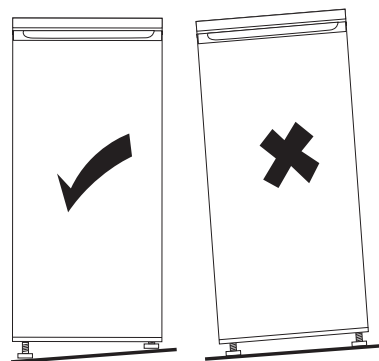
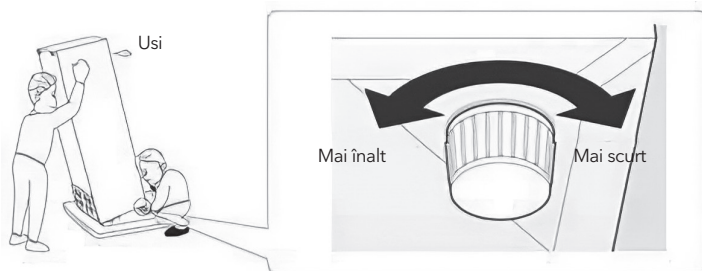
- Păstrați suficient pentru deschiderea ușii
- Păstrați un spațiu de cel puțin 50 mm pe ambele părți și în spate.



A	600
B	605
C	1858
D	min=50
E	min=50
F	min=50
G	1200
H	1205
I	135°

## Stabilizarea aparatului

Pentru a face acest lucru, reglați cele două picioare de nivelare din fața unității. Dacă unitatea nu este la nivel, ușile și alinierea magnetice nu vor fi acoperite corespunzător.



## Poziționare

Instalați acest aparat într-o locație în care temperatura mediului corespunde clasei de climă indicate pe placa de identificare a aparatului:

Pentru aparate frigorifice cu clasă climatică:

- temperat extins: acest aparat frigorific este destinat să fie utilizat la temperaturi ambientale cuprinse între 10 și 32 (SN)
- temperat: acest aparat frigorific este destinat să fie utilizat la temperaturi ambientale cuprinse între 16 și 32 (SN)
- subtropical: acest aparat frigorific este destinat să fie utilizat la temperaturi ambientale cuprinse între 16 și 38 (SN)
- tropical: acest aparat frigorific este destinat să fie utilizat la temperaturi ambientale cuprinse între 16 și 43 (SN)

## Amplasare

Aparatul trebuie instalat departe de surse de căldură, cum ar fi radiatoare, cazane, lumina directă a soarelui, etc. Asigurați-vă că aerul poate circula liber în spatele carcasei pentru a asigura performanțe optime. Dacă aparatul este poziționat sub o unitate de perete înclinată, distanța minimă dintre partea superioară a carcasei și unitatea de perete trebuie să fie de cel puțin 50 mm. În mod ideal,

însă, aparatul nu trebuie poziționat sub unități de perete înclinate. Nivelarea exactă este asigurată de unul sau mai multe picioare reglabile la baza dulapului.

Acest aparat frigorific nu este destinat a fi folosit ca aparat încorporat.

### ⚠ ATENȚIE!

Este posibil să deconectați aparatul de la sursa de alimentare; prin urmare, mufa trebuie să fie ușor accesibilă după instalare.

## Conexiune electrică

Înainte de conectare, asigurați-vă că tensiunea și frecvența afișate pe plăcuța de identificare corespund cu sursa de alimentare internă. Aparatul trebuie să fie împământat. Mufa cablului de alimentare este prevăzută cu un contact în acest scop. Dacă priza de alimentare electrică nu este împământată, conectați aparatul la o împământare separată în conformitate cu reglementările actuale, consultând un electrician calificat. Producătorul își declină orice responsabilitate dacă nu sunt respectate măsurile de siguranță de mai sus. Acest aparat este în conformitate cu E.E.C. Directive.



# UTILIZARE ZILNICĂ

## Prima Utilizare

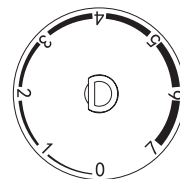
### Curățarea interiorului

Înainte de a folosi aparatul pentru prima dată, spălați interiorul și toate accesoriile interne cu apă caldă și săpun neutru, astfel încât să îndepărtați mirosul tipic al unui produs nou, apoi uscați bine.

**IMPORTANT!** Nu folosiți detergenți sau pulberi abrazive, deoarece acestea vor deteriora finisajul.

## Setarea Temperaturii

- Conectați aparatul. Temperatura internă este controlată de un termostat. Există 8 niveluri de setare, 1 este cea mai caldă setare, 7 este cea mai rece și 0 este oprit.
- Aparatul poate să nu funcționeze la temperatura corectă dacă se află într-un mediu deosebit de cald sau dacă deschideți ușa des.



## Utilizare zilnică

Poziționează alimente diferite în compartimente diferite, în conformitate cu tabelul de mai jos

Compartimente frigider	Tip mancare
Ușa sau balcoanele compartimentului frigiderului	<ul style="list-style-type: none"> <li>• Alimente cu conservanți naturali, precum gemuri, sucuri, băuturi, condimente.</li> <li>• Nu depozitați alimente perisabile.</li> </ul>
Sertar prosopețime (sertar pentru salate)	<ul style="list-style-type: none"> <li>• Fructele, ierburile și legumele trebuie introduse separat în coșul de prosopețime.</li> <li>• Nu depozitați banane, ceapă, cartofi, usturoi la frigider.</li> </ul>
Raft frigider - mijloc	<ul style="list-style-type: none"> <li>• Produse lactate, ouă</li> </ul>
Raft frigider - Superior	<ul style="list-style-type: none"> <li>• Alimente care nu au nevoie de gătit, cum ar fi alimentele gata de consum, carne, resturi.</li> </ul>
Sertare congelatoare / raft	<ul style="list-style-type: none"> <li>• Alimente pentru păstrare pe termen lung.</li> <li>• Sertarul / raftul de jos pentru carne crudă, păsări de curte, pește</li> <li>• Sertar / raft mediu pentru legume congelate, chipsuri.</li> <li>• Sertar / raft superior pentru înghețată, fructe congelate</li> </ul>

## Setarea Temperaturii Recomandate

Temperatura mediului	Compartiment Congelator	Compartiment Frigider
Vară	/	<p>Setat la 2~4</p>
Normal	/	<p>Setat la 3</p>
Iarnă	/	<p>Setat la 4~6</p>

## Impact asupra depozitării alimentelor

- În setarea recomandată, cel mai bun timp de depozitare a frigiderului este de cel mult 3 zile.
- În setarea recomandată, cel mai bun timp de depozitare a congelatorului este de cel mult 1 lună.
- Cel mai bun timp de stocare se poate reduce în alte setări.

## Congelarea alimentelor proaspete

- Compartimentul congelator este potrivit pentru congelarea alimentelor proaspete și depozitarea alimentelor congelate și înghețate mult timp. Așezați mâncarea proaspătă care trebuie înghețată în congelator.
- Cantitatea maximă de hrană care poate fi înghețată în 24 de ore este specificată pe tabelul de clasificare.
- Procesul de îngheț durează 24 de ore: în această perioadă nu adăugați alte alimente pentru a fi congelate.

## Depozitarea alimentelor congelate

La prima pornire sau după o perioadă de utilizare, înainte de a pune mâncare în compartiment, lăsați aparatul să funcționeze cel puțin 2 ore pe o setare mai mare.

**IMPORTANT!** În cazul decongelării accidentale, de exemplu, puterea a fost oprită mai mult decât valoarea indicată în graficul de caracteristici tehnice la „timp de creștere”, alimentele dezghețate trebuie consumate rapid sau gătite imediat și apoi re-congelate (după gătit).

## Dezghețarea

- Alimentele înghețate sau congelate, înainte de a fi utilizate, pot fi decongelate în compartimentul frigiderului sau la temperatura camerei, în funcție de timpul disponibil pentru această operație.
- Piese mici pot fi chiar fierte încă congelate, direct de la congelator. În acest caz, gătitul va dura mai mult.

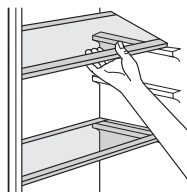
## Cuburi de gheață

Acest aparat poate fi echipat cu una sau mai multe tăvi cu cuburi de gheață pentru a produce gheață.

## Accesorii

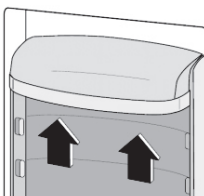
### Rafturi mobile

Pereții frigiderului sunt echipate cu o serie de șine, astfel încât rafturile să poată fi poziționate după dorință.



## Poziționarea rafturilor de pe ușă

Pentru a permite depozitarea pachetelor alimentare cu diferite dimensiuni, rafturile ușii pot fi amplasate la diferite înălțimi. Pentru a face aceste ajustări, procedați după cum urmează: trageți treptat balconul în direcția săgeților până când se eliberează, apoi re-poziționați după cum este necesar.



## Sugestii și sfaturi utile

Pentru a vă ajuta să profitați la maximum de procesul de îngheț, iată câteva sfaturi importante:

- cantitatea maximă de alimente care poate fi înghețată în 24 de ore - este afișat pe tabelul de rating;
- procesul de îngheț durează 24 de ore. Nu trebuie adăugate alte alimente care trebuie înghețate în această perioadă;
- congelați numai produsele alimentare de cea mai bună calitate, proaspete și curățate complet; pregătiți mâncarea în porții mici pentru a permite înghețarea rapidă și completă a acesteia și pentru a face posibilă dezghețarea numai a cantității necesare;
- ambalați alimentele în folie de aluminiu sau polietilen și asigurați-vă că pachetele sunt etanșe;
- nu permiteți mâncării proaspete să atingă alimentele care sunt deja înghețate, evitând astfel o creștere a temperaturii acestora;
- alimentele slabe se păstrează mai bine și mai mult decât cele grase; sarea reduce durata de depozitare a alimentelor;
- glazurile de apă, dacă sunt consumate imediat după scoaterea din congelator, pot cauza înghețarea pielii;
- scoaterea din congelator, poate provoca înghețarea pielii; este indicat să afișați data de îngheț pe fiecare pachet individual pentru a vă permite să păstrați fila timpului de stocare.

## Sugestii pentru depozitarea alimentelor congelate

Pentru a obține cele mai bune performanțe de la acest aparat, trebuie să:

- asigurați-vă că produsele alimentare congelate comercial au fost depozitate în mod adecvat de către comerciant;
- asigurați-vă că produsele alimentare congelate sunt transferate de la magazinul alimentar la congelator în cel mai scurt timp posibil;
- nu deschideți ușa frecvent și nu o lăsați deschisă mai mult decât este absolut necesar.
- odată decongelate, alimentele se deteriorează rapid și nu pot fi re-congelate;
- nu depășiți perioada de depozitare indicată de fabricația alimentară.

## Sugestii pentru refrigerarea alimentelor proaspete

Pentru a obține cele mai bune performanțe:

- Nu păstrați mâncarea caldă sau lichidele care se evaporă în frigider Acoperiți sau ambalați mâncarea, în special dacă are o aromă puternică Carne (de toate tipurile): ambalați în pungi de polietilen și așezați pe rafturile de sticlă deasupra sertarului pentru fructe și legume.
- Pentru siguranță, păstrați în acest fel doar una sau două zile cel mult. Alimente gătite, mâncăruri reci, etc ... acestea trebuie acoperite și pot fi amplasate pe orice raft.
- Fructe și legume: acestea trebuie curățate bine și introduse în sertarul special prevăzut.
- Unt și brânză: acestea trebuie plasate în recipiente speciale etanșe sau învelite în folie de aluminiu sau pungi de polietilen pentru a exclude cât mai mult aer.
- Flacon de lapte: acestea trebuie să aibă capac și trebuie depozitate în rafturile din ușă
- Bananele, cartofii, ceapa și usturoiul, dacă nu sunt ambalate, nu trebuie păstrate la frigider.

## Curățare

Din motive igienice, interiorul aparatului, inclusiv accesoriile interioare, trebuie curățate regulat.

### ! AVERTIZARE!

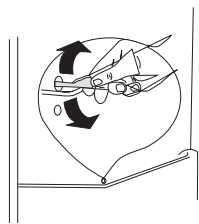
Aparatul nu trebuie să fie conectat la rețea în timpul curățării. Pericol de electrocutare! Înainte de curățare, comutați aparatul

opriți și scoateți ștecherul de la rețeaua electrică sau opriți sau stingeți întrerupătorul sau siguranța. Nu curățați niciodată aparatul cu un aparat de curățat cu abur. Umiditatea s-ar putea acumula în componente electrice, pericol de șoc electric! Vaporii fierbinți pot duce la deteriorarea pieselor din plastic. Aparatul trebuie să fie uscat înainte să fie pus din nou în funcțiune.

**IMPORTANT!** Uleiurile eterice și solvenții organici pot ataca părțile din plastic, de ex. sucul de lămâie sau sucul formează coaja de portocală, acid butiric, demachiant care conține acid acetic.

## Curățarea orificiului de scurgere

Pentru a evita decongelarea apei care curge în frigider, curățați periodic orificiul de scurgere din spatele compartimentului frigiderului. Utilizați un produs de curățare pentru a curăța orificiul așa cum se arată în imagine.



- Nu permiteți ca aceste substanțe să intre în contact cu piesele aparatului. Nu folosiți substanțe de curățare abrazive
- Scoateți alimentele din congelator. Depozitați-le într-un loc răcoros, bine acoperite
- Opriți aparatul și scoateți ștecherul din priză sau opriți întrerupătorul sau siguranța
- Curățați aparatul și accesoriile interioare cu o cârpă și apă caldă. După curățare ștergeți cu apă proaspătă și ștergeți-le
- După ce totul este uscat, puneți aparatul din nou în funcțiune.

## Înlocuirea becului

### ! AVERTIZARE!

Produsul este echipat cu lumină LED, vă rugăm să contactați serviciul autorizat în cazul înlocuirii.



## DIAGNOSTICARE

### ! AVERTIZARE!

Înainte de depanare, deconectați sursa de alimentare. Doar un electrician calificat trebuie să efectueze depanarea dacă nu este o problemă din acest manual.

**IMPORTANT!** Există unele sunete în timpul utilizării normale (compresor, circulația agentului frigorific).

Problemă	Cauză posibilă	Soluție
Aparatul nu funcționează	Butonul de reglare a temperaturii este setat la numărul „0”.	Setați butonul la alt număr pentru a porni aparatul.
	Mufa de alimentare nu este conectată	Conectați la priză
	Siguranța este defectă	Verificați siguranța, înlocuiți dacă este necesar.
	Priza este defectă	Defecțiunile la priză trebuie corectate de un electrician.
Mâncarea este prea caldă	Temperatura nu este reglată corespunzător.	Vă rugăm să consultați secțiunea inițială Setare temperatură.
	Ușa a fost deschisă pentru o perioadă îndelungată.	Deschideți ușa doar cât este necesar.
	O cantitate mare de mâncare caldă a fost introdusă în aparat în ultimele 24 de ore.	Întoarceți temporar reglarea temperaturii la o temperatură mai rece.
Aparatul este aproape de o sursă de căldură.	Vă rugăm să consultați secțiunea locației de instalare.	
Aparatul răcește prea tare	Temperatura setată este prea rece.	Rotiți temporar butonul de reglare a temperaturii la o setare mai caldă.
Zgomote neobișnuite	Aparatul nu este stabilizat.	Ajustați picioarele.
	Aparatul atinge perețele sau alte obiecte.	Mutați puțin aparatul.
	O componentă, de ex. o conductă, în partea din spate a aparatului atinge o altă parte a aparatului sau a peretelui.	Dacă este necesar, îndoiți cu atenție componenta.
Apă pe podea	Orificiul de scurgere a apei este blocat.	Consultați secțiunea Curățare.
Panoul lateral este fierbinte	Condenserul se află în interiorul panoului.	Este normal.

Dacă defecțiunea apare din nou, contactați centrul de service.

## VARNOSTNE INFORMACIJE


Pred nameščanjem gospodinjskega aparata in pred prvo uporabo zaradi lastne varnosti in pravilne uporabe natančno preberite ta uporabniški priročnik, vključno z nasveti in opozorili. Da preprečite nepotrebne napake in nesreče, je pomembno poskrbeti, da bodo vse osebe, ki bodo aparat upravljale, dobro seznanjene z njegovim delovanjem in varnostnimi funkcijami. Ta navodila shranite in poskrbite, da bodo priložena aparatu, če bo premaknjen ali prodan, tako da bodo vse osebe, ki ga bodo v njegovi življenjski dobi uporabljale, pravilno seznanjene z njegovo uporabo in varnostjo.


Da zavarujete življenje in premoženje, upoštevajte previdnostne ukrepe v teh navodilih za uporabnika, saj proizvajalec ni odgovoren za škodo, ki bi nastala v nasprotnem primeru.

### Varnost otrok in ranljivih oseb

- Ta aparat lahko uporabljajo otroci, stari 8 in več let, ter osebe s telesnimi, senzoričnimi ali duševnimi okvarami ali pa osebe brez izkušenj in znanja, če so pod nadzorom ali pa so jim bila podana navodila za varno uporabo aparata in če razumejo nevarnosti, povezane z njegovo uporabo.
- Otrokom, starim od 3 do 8 let, je v ta aparat dovoljeno dajati živila in jih jemati iz njega.
- Da se otroci zagotovo ne bodo igrali z aparatom, jih je treba nadzorovati.
- Otroci ne smejo čistiti in vzdrževati aparata, razen če so stari 8 in več let ter so pod nadzorom.
- Poskrbite, da bo vsa embalaža zunaj dosega otrok. Obstaja tveganje zadušitve.
- Če boste aparat odstranili, izvlecite vtič iz vtičnice, prerežite napajalni kabel (na mestu, ki je čim bližje aparatu) in odstranite vrata, da preprečite električni udar pri otrocih, ki se igrajo, ali pa zaprtje otrok v aparat.
- Če ima ta gospodinjski aparat na vratih magnetno tesnilo in želite z njim nadomestiti starejši aparat, ki se zaklepa na vzmet (zapah) na vratih ali pokrovu, pred odstranjevanjem starega aparata poskrbite, da zaklep na vzmet ne bo več deloval. S tem boste preprečili, da stari aparat ne bo postal smrtna past za otroke.

### Splošna varnost

** OPOZORILO!** Poskrbite, da odprtine za prezračevanje v okrovu aparata ali v vgrajeni strukturi ne bodo zamašene.

** OPOZORILO!** Odtaljevanja ne poskušajte pospeševati z mehanskimi napravami ali z drugimi sredstvi, razen s tistimi, ki jih priporoča proizvajalec.

**⚠ OPOZORILO!** Ne poškodujte krogotoka hladilne tekočine.

**⚠ OPOZORILO!** V notranjosti hladilnih gospodinjskih aparatov ne uporabljajte drugih električnih naprav (kot so aparati za izdelovanje sladoleda), razen če jih za ta namen ni odobril proizvajalec.

**⚠ OPOZORILO!** Če je žarnica svetila dlje časa, se je ne dotikajte, saj je lahko zelo vroča.<sup>1</sup>

**⚠ OPOZORILO!** Pri nameščanju aparata poskrbite, da napajalni kabel ne bo zagozden ali poškodovan.

**⚠ OPOZORILO!** Na zadnji strani aparata ne nameščajte prenosnih električnih razdelilnikov z več vtičnicami ali prenosnih akumulatorjev.

- V tem gospodinjskem aparatu ne shranjujte eksplozivnih snovi, kot so aerosolne pločevinke z vnetljivim potisnim plinom.
- V hladilnem krogotoku gospodinjskega aparata je hladilno sredstvo izobutan (R600a), naravni plin, katerega raven okoljske združljivosti je visoka, a je vseeno vnetljiv.
- Med prevozom in namestitvijo aparata poskrbite, da se noben od sestavnih delov hladilnega krogotoka ne bo poškodoval.
  - Izogibajte se odprtemu ognju in virom vžiga.
  - Dobro prezračite prostor, v katerem je gospodinjski aparat.
- Kakršno koli spreminjanje specifikacij ali tega izdelka je nevarno. Zaradi kakršne koli poškodbe kabla lahko pride do kratkega stika, požara in/ali električnega udara
- Ta gospodinjski aparat je predviden je za uporabo v gospodinjstvu in temu podobnih okoljih, kot so
  - kuhinje za osebje v trgovinah, pisarnah in drugih delovnih okoljih,
  - kmetije ter hoteli, moteli in nastanitve drugih vrst, kjer je ta aparat na voljo gostom,
  - nastanitve z nočitvijo in zajtrkom,
  - catering ter podobni načini uporabe, ki niso namenjeni prodaji.

**⚠ OPOZORILO!** Vse električne sestavne dele (vtič, kabel, kompresor itd.) mora zamenjati pooblaščen servisier ali usposobljeno servisno osebje.

**⚠ OPOZORILO!** Žarnica, ki je priložena temu aparatu, je „žarnica za posebno uporabo“, ki se uporablja samo v dobavljenem aparatu. Te „žarnice za posebno uporabo“ ni mogoče uporabiti pri hišni razsvetljavi.<sup>1</sup>

- Napajalnega kabla ni dovoljeno podaljševati.
- Poskrbite, da aparat z zadnjo stranjo ne bo zmečkal ali poškodoval vtiča napajalnega kabla. Zmečkan ali poškodovan vtič napajalnega kabla se lahko pregreje in povzroči požar.
- Poskrbite, da boste lahko dostopali do glavnega vtiča aparata.

- Glavnega kabla ne vlecite.
- Če je napajalna vtičnica razrahljana, vtiča napajalnega kabla ne priklaplajte vanjo. Obstaja tveganje električnega udara ali požara.
- Aparata brez luči ne smete upravljati.
- Ta aparat je težak. Premikajte ga previdno.
- Z vlažnimi/mokrimi rokami se ne dotikajte predmetov iz predelka zamrzovalnika, saj se lahko na rokah pojavijo odrgnine ali pa ozeblina zaradi zmrzali/zamrzovalnika.
- Preprečite daljšo izpostavljenost aparata neposredni sončni svetlobi.

## Vsakodnevna uporaba

- Na plastične dele aparata ne postavljajte vročih predmetov.
- Živil ne postavljajte neposredno ob zadnjo steno.
- Ko zamrznjena živila enkrat odtalite, jih ne smete ponovno zamrzniti.<sup>2</sup>
- Vnaprej pakirana zamrznjena živila shranite v skladu z navodili proizvajalcev teh živil.<sup>2</sup>
- Natančno se držite priporočil, ki jih za shranjevanje podajajo proizvajalci aparata. Upoštevajte ustrezna navodila.
- Pijač z dodanim ogljikovim dioksidom oziroma gaziranih pijač ne shranjujte v predelku zamrzovalnika, saj se ustvarja pritisk na posodo, zaradi katerega ta lahko eksplodira, aparat pa se poškoduje.<sup>2</sup>
- Če sladoleadne lučke zaužijemo neposredno po tem, ko jih vzamemo iz aparata, lahko povzročijo ozeblino<sup>2</sup>

Da preprečite onesnaženje živil, upoštevajte naslednja navodila:

- Če vrata dlje časa pustite odprta, se temperatura v predelkih aparata lahko precej zviša.
- Redno čistite površine, ki so v stiku z živilo, in dostopne odvodne sisteme.
- Če posod za vodo 48 ur niste uporabljali, jih očistite; če iz aparata 5 dni niste jemali vode, sperite sistem za vodo, priključen na dovod vode.
- Surovo meso in ribe v hladilniku shranjujte v primernih posodah, tako da ta živila ne pridejo v stik z drugimi ali da z njih ne kaplja na druga živila.
- Predelki za zamrznjena živila, označeni z dvema zvezdicama (če so v aparatu), so primerni za shranjevanje predhodno zamrznjenih živil, shranjevanje ali izdelovanje sladoleda in izdelovanje ledenih kock.
- Predelki, označeni z eno, dvema in tremi zvezdicami (če so v aparatu), niso primerni za zamrzovanje svežih živil.
- Če je bil hladilni aparat dlje časa prazen, ga izklopite, odtalite, očistite in osušite, nato pa vrata pustite odprta, da preprečite nastajanje plesni v aparatu.

<sup>1</sup> Če je v predelku luč.

<sup>2</sup> Če obstaja predelek za zamrzovanje.

## Nega in čiščenje

- Pred vzdrževalnimi deli izklopite aparat in odklopite vtič napajalnega kabla z napajalne vtičnice.
- Ne čistite aparata s kovinskimi predmeti.
- Za odstranjevanje ledu iz aparata ne uporabljajte ostrih predmetov. Uporabljajte plastično strgalo.<sup>2</sup>
- Redno preverjajte, ali se je v odtoku hladilnika zaradi odtaljevanja ledu nabrala voda. Po potrebi odtok očistite. Če je odtok zamašen, se bo voda zbirala na dnu aparata.<sup>3</sup>

## Namestitev

- **POMEMBNO!** Pri priklopu električnih instalacij natančno upoštevajte navodila v posameznih odstavkih.
- Aparat vzemite iz embalaže in preverite, ali je poškodovan. Če je poškodovan, ga ne priklaplajte. O morebitnih poškodbah takoj poročajte na mesto, kjer ste aparat kupili. V tem primeru shranite embalažo.
- Preden priklopite aparat, je priporočljivo počakati vsaj 4 ure, da bo olje steklo nazaj v kompresor.
- Poskrbljeno mora biti za zadostno kroženje zraka okrog aparata; v nasprotnem primeru se lahko pregreje. Da bo prezračevanje zadostno, upoštevajte navodila, ki se nanašajo na namestitev.
- Kjer koli je to mogoče, morajo biti distančniki izdelka naslonjeni na steno, tako da se vročih delov (kompresorja, kondenzatorja) ni mogoče dotakniti ali jih prijeti, s tem pa so preprečene morebitne opekline.
- Aparat ne sme biti nameščen blizu radiatorjev ali štedilnikov.
- Poskrbite, da bo po namestitvi aparata mogoč dostop do glavnega vtiča.

## Servis

- Kakršna koli servisna dela na električnih instalacijah aparata mora izvesti kvalificirani električar ali usposobljena oseba.
- Ta izdelek mora servisirati pooblaščen servisni center, uporabljeni pa morajo biti samo originalni nadomestni deli.

## Varčevanje z energijo



- V aparatu ne shranjujte vročih živil.
- Živil ne nagnetite, saj to preprečuje kroženje zraka.
- Poskrbite, da se živila ne bodo dotikala zadnje strani predelkov.
- Če se elektrika izklopi, ne odpirajte vrat.
- Vrat ne odpirajte pogosto.
- Ko jih odprete, naj ne bodo predolgo odprta.


<sup>2</sup> Če obstaja predelek za zamrzovanje.

<sup>3</sup> Če obstaja predelek za shranjevanje svežih živil.

- Termostata ne nastavite na prenizko temperaturo.
- Da je poraba energije manjša, mora biti tu shranjena vsa dodatna oprema, kot so predali, police in police na vratih.

## Varovanje okolja

 Ta aparat niti v krogotoku za hladilno sredstvo niti v izolativnih materialih ne vsebuje plinov, ki bi lahko poškodovali ozonski plašč. Aparata ni dovoljeno odstranjevati skupaj z mestnimi odpadki in smetmi. Izolacijska pena vsebuje vnetljive pline: aparat je treba odstraniti v skladu s predpisi za gospodinjske aparate, ki jih lahko pridobite pri lokalnih organih. Preprečite, da bi prišlo do poškodb hladilne enote, še posebej izmenjevalnika toplote. Materiale, ki so uporabljeni pri tem aparatu in so označeni s simbolom , je mogoče reciklirati.

 Simbol na izdelku ali njegovi embalaži kaže, da tega izdelka ni dovoljeno obravnavati kot gospodinjski odpadek. Namesto tega ga je treba odpeljati na ustrezno zbirno točko za recikliranje električne in elektronske opreme. S tem, ko boste zagotovili pravilno odstranjevanje tega izdelka, boste pomagali preprečiti morebitne negativne posledice za okolje in zdravje ljudi, do katerih bi sicer lahko prišlo zaradi nepravilnega ravnanja s tem izdelkom. Za podrobnejše informacije o recikliranju tega izdelka se obrnite na lokalne oblasti, komunalno podjetje ali trgovino, v kateri ste izdelek kupili.

### Materiali za embalažo

Materiale, označene s simbolom, je mogoče reciklirati. Da bo embalaža reciklirana, jo odložite v ustrezen zabojnik za zbiranje odpadkov.

### Odstranjevanje gospodinjskih aparatov

1. Izklopite vtič napajalnega kabla iz napajalne vtičnice.
2. Izklopite napajalni kabel in ga odstranite.



#### OPOZORILO!

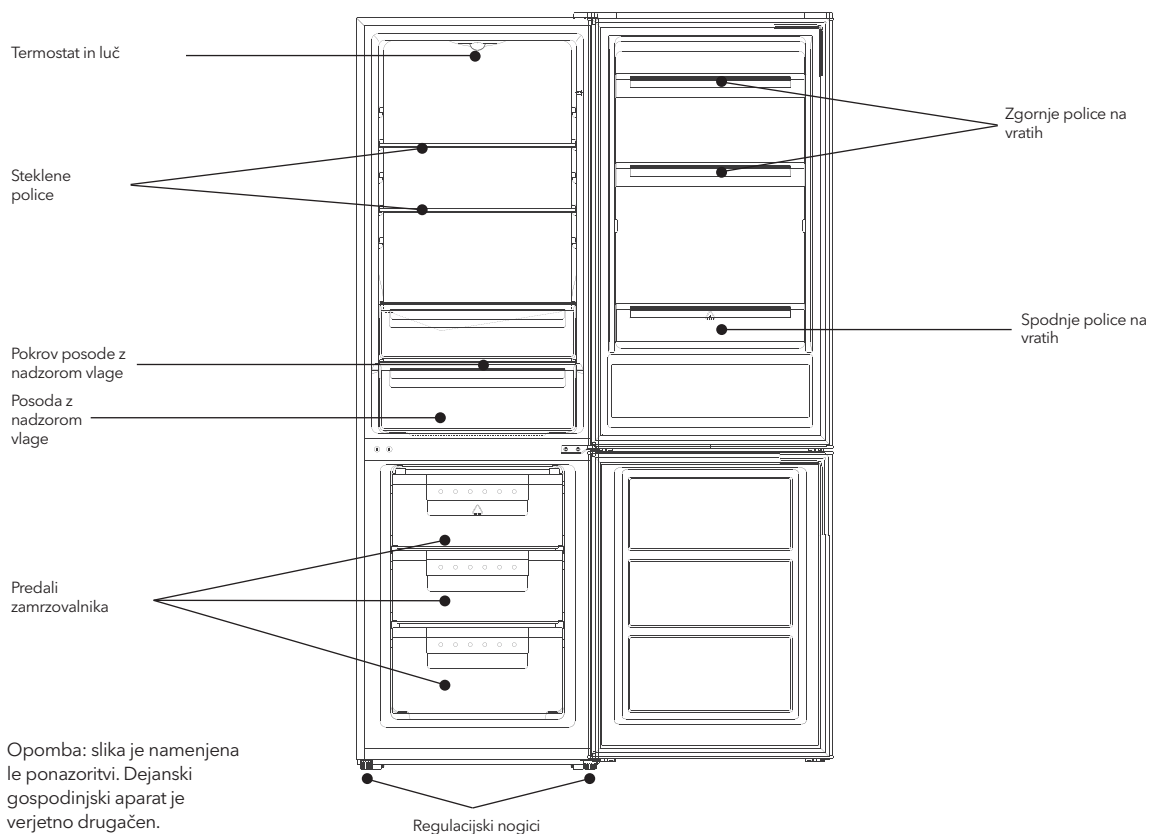
Med uporabo, servisiranjem in odstranjevanjem aparata bodite pozorni na simbol, podoben simbolu na levi strani, ki je na zadnjem delu aparata (zadnji plošči ali kompresorju) in je rumene ali oranžne barve.

Gre za simbol, ki opozarja na tveganje požara. V ceveh za hladilno sredstvo in kompresorju so vnetljive snovi.

Med uporabo, servisiranjem in odstranjevanjem naj aparat ne bo v bližini vira ognja.



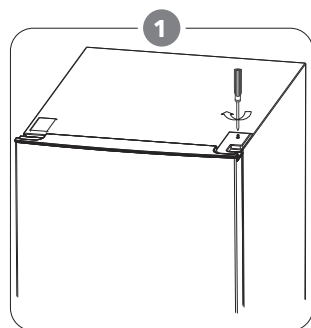
# PREGLLED



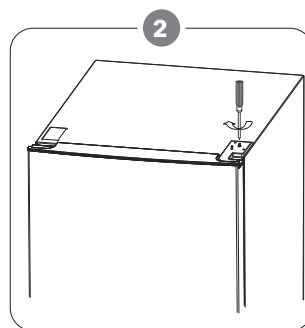
## VRATA Z MOŽNOSTJO ZAMENJAVE STRANI ODPIRANJA

Potrebna orodja: križni izvijač, ploščati izvijač, šestkotni nasadni ključ.

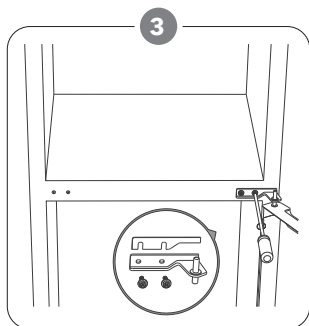
- Prepričajte se, da je enota izključena in prazna.
- Če želite vrata sneti, morate enoto nagniti nazaj. Enota naj bo naslonjena na nekaj trdnega, tako da med postopkom zamenjave strani ne bo zdrsnila.
- Vse odstranjene dele je treba shraniti, da boste vrata lahko znova namestili.
- Enote ne postavljajte v ležeč položaj, saj se sistem za hladilno tekočino lahko poškoduje.
- Med sestavljanjem sta za ravnanje z enoto priporočljivi dve osebi.



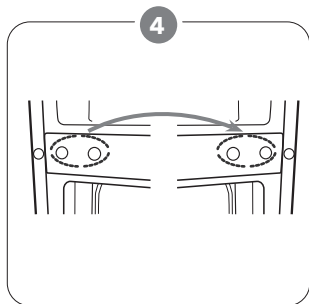
Odvijte in odstranite pokrov tečaja.



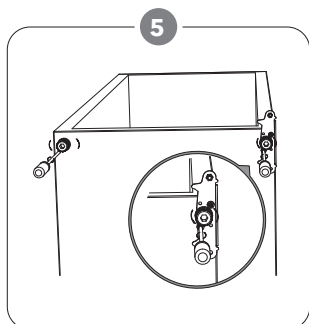
Odvijte in odstranite tečaj.



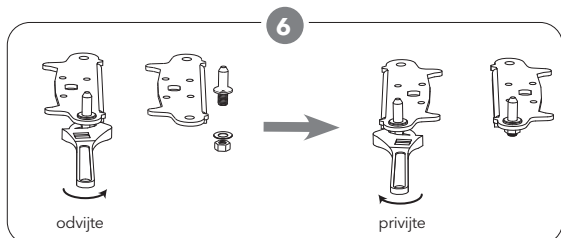
3  
Odvijte srednji tečaj. Nato dvignite spodnja vrata in jih položite na mehko blazino, da se ne bodo opraskala.



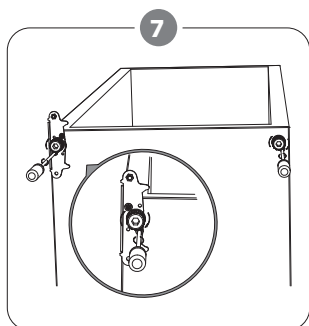
4  
Premaknite pokrove za odprtino tečaja z leve na desno stran.



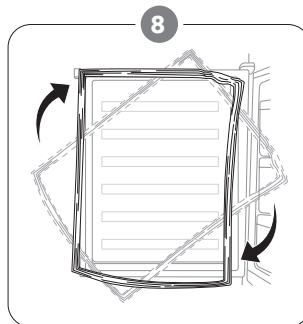
5  
Odvijte spodnji tečaj. Nato odstranite regulacijski nogici na obeh straneh.



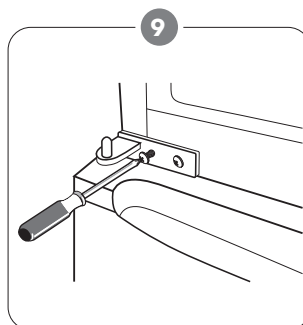
6  
Odvijte in odstranite spodnji zatič tečaja, obrnite nosilec in ga zamenjajte.



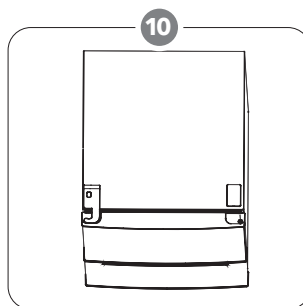
7  
Pritrdite spodnji zatič tečaja in tako znova namestite nosilec. Zamenjajte obe regulacijski nogici. Spodnja vrata prenesite v pravilni položaj.



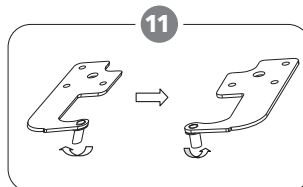
8  
Odstranite tesnila vrat hladilnika in zamrzovalnika, po vrtenju pa jih nato znova pritrdite.



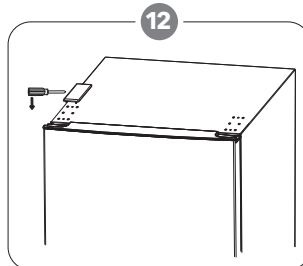
9  
Zavrtite srednji ležaj za 180 stopinj, nato pa ga premestite na levo stran. Srednji tečaj pritisnite v zgornjo odprtino spodnjih vrat in nato privijte vijake.



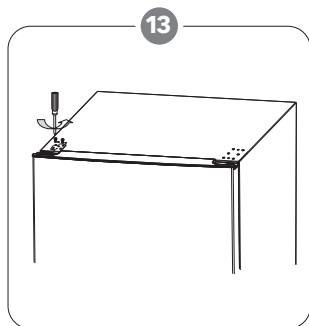
10  
Namestite zgornja vrata nazaj. Poskrbite, da bodo vrata pred končnim privijanjem zgornjega tečaja vrata poravnana v obeh smereh, vodoravni in navpični, tako da bodo tesnila na vseh straneh zaprta. Nato vstavite tečaj in ga privijte na sprednji del enote.



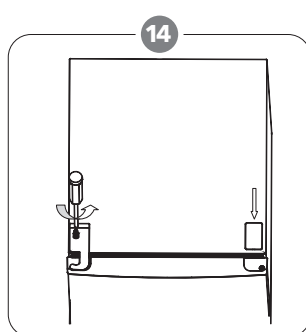
11  
Odvijte zatič tečaja in tečaj obrnite, nato pa zatič tečaja znova namestite.



12  
Odprite pokrov odprtine tečaja.



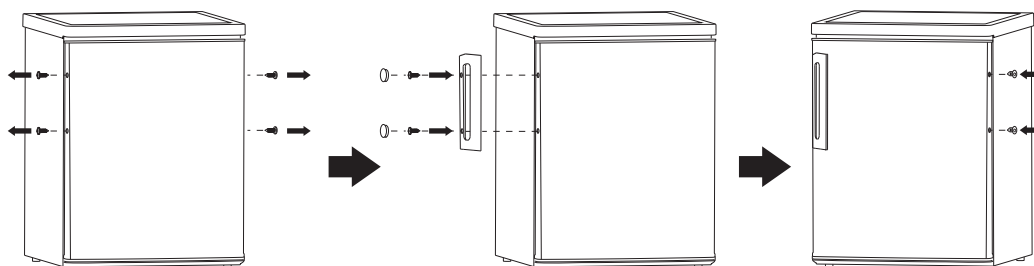
Fiksirajte tečaj na levi.



Fiksirajte pokrov tečaja na levi strani in pokrov odprtine tečaja na desni strani.

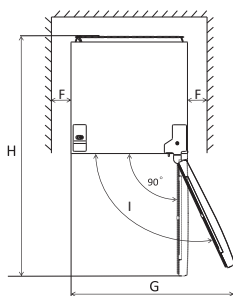
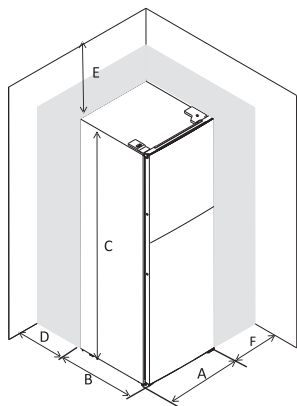
## NAMESTITEV

Namestite zunanji ročaj vrat (če je prisoten).



### Zahteve glede prostora

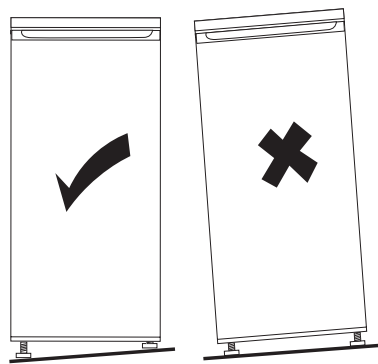
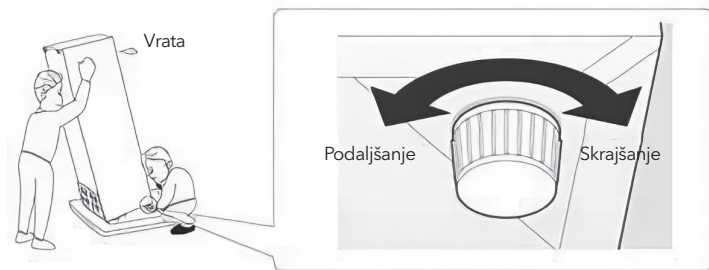
- Pustite dovolj prostora, da se bodo vrata lahko odpirala
- Na obeh straneh pustite vsaj 50 mm prostora.



A	600
B	605
C	1858
D	min=50
E	min=50
F	min=50
G	1200
H	1205
I	135°

## Izravnavanje enote

Če želite enoto izravnati, prilagodite regulacijski nogici na sprednji strani enote. Če enota ne bo izravnana, vrata in magnetna tesnila ne bodo dobro tesnila.



## Določanje položaja

Ta aparat namestite tja, kjer se temperatura okolja ujema s klimatskim razredom, označenim na tablici z nazivnimi podatki na aparatu:

Za hladilne aparate s klimatskim razredom:

- razširjeni zmerni: ta hladilni aparat je namenjen uporabi pri temperaturah okolja od 10 °C do 32 °C (SN);
- zmerni: ta hladilni aparat je namenjen uporabi pri temperaturah okolja od 16 °C do 32 °C (N);
- subtropski: ta hladilni aparat je namenjen uporabi pri temperaturah okolja od 16 °C do 38 °C (ST);
- tropski: ta hladilni aparat je namenjen uporabi pri temperaturah okolja od 16 °C do 43 °C (T).

## Mesto

Gospodinjski aparat mora biti nameščen precej stran od virov toplote, kot so radiatorji, grelniki vode, neposredna sončna svetloba itd. Da bo delovanje čim boljše, poskrbite, da bo zrak lahko prosto krožil okrog zadnjega dela ohišja. Če je aparat nameščen pod visečo stensko enoto, mora biti najmanjša razdalja med zgornjim delom ohišja in stensko enoto vsaj 50 mm. Vendar je najbolje, da aparat pod visečimi stenskimi enotami sploh ni nameščen. Z eno ali več

prilagodljivimi nogicami na dnu ohišja je mogoče aparat natančno izravnati.

Ta hladilni aparat ni namenjen temu, da bi bil uporabljen kot vgradni aparat.

### **⚠ OPOZORILO!**

Obstajati mora možnost odklopa aparata z omrežnega napajanja; po namestitvi mora biti vtič zato zlahka dostopen.

## Električni priključek

Pred priklopom se prepričajte, ali napetost in frekvenca, ki sta navedeni na tablici z nazivnimi podatki, ustrezata vašemu domačemu omrežnemu napajanju. Aparat mora biti ozemljen. V ta namen je na vtiču napajalnega kabla nameščen kontakt. Če domača napajalna vtičnica ni ozemljena, aparat po posvetu s kvalificiranim električarjem priključite na ločeno ozemljitev, skladno s trenutno veljavnimi predpisi.

Če zgornji varnostni previdnostni ukrepi niso upoštevani, proizvajalec zavrača vso odgovornost. Ta gospodinjski aparat je skladen z direktivami EGS.

## VSAKODNEVNA UPORABA

### Prva uporaba

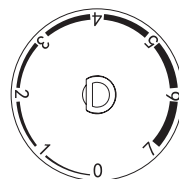
#### Čiščenje notranjosti

Pred prvo uporabo očistite notranjost aparata in vso notranjo dodatno opremo z mlačno vodo in nekaj nevtralnega mila, da odstranite značilni vonj povsem novega izdelka, nato pa ga temeljito osušite.

**POMEMBNO!** Ne uporabljajte detergentov ali abrazivnih praškov, saj lahko poškodujejo premaz.

### Nastavitev temperature

- Vključite aparat. Notranjo temperaturo nadzira termostat. Ima 8 nastavitvev. Nastavitev 1 pomeni najtoplejšo, nastavitev 7 najhladnejšo, nastavitev 0 pa pomeni izklop.
- Če je aparat v zelo vročem okolju ali če pogosto odpirate vrata, morda ne bo deloval pri pravilni temperaturi.

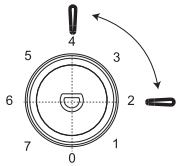
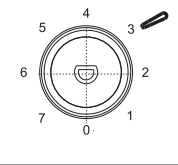
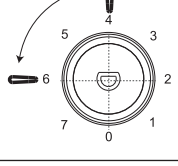


## Vsakodnevna uporaba

Različna živila postavite v različne predelke, kot prikazuje spodnja preglednica.

Predelki hladilnika	Vrsta živila
Vrata ali police na vratih predelka hladilnika	<ul style="list-style-type: none"> <li>Živila z naravnimi konzervansi, kot so marmelade, sokovi, pijače in začimbe.</li> <li>Ne shranjujte pokvarljivih živil.</li> </ul>
Posoda z nadzorom vlage (posoda za solato)	<ul style="list-style-type: none"> <li>V posodo z nadzorom vlage ločeno shranjujte sadje, zelišča in zelenjavo.</li> <li>V hladilniku ne shranjujte banan, čebule, krompirja in česna.</li> </ul>
Polica hladilnika - srednja	<ul style="list-style-type: none"> <li>Mlečni izdelki, jajca</li> </ul>
Polica hladilnika - zgornja	<ul style="list-style-type: none"> <li>Živila, ki jih ni treba kuhati, kot so že pripravljena živila, delikatesne mesnine, ostanki.</li> </ul>
Predali/polica zamrzovalnika	<ul style="list-style-type: none"> <li>Živila za dolgotrajno shranjevanje.</li> <li>Spodnji predal/polica za surovo meso, perutnino, ribe.</li> <li>Srednji predal/polica za zamrznjeno zelenjavo, zamrznjen krompirček.</li> <li>Zgornji predal/polica za sladoled, zamrznjeno sadje, zamrznjene izdelke.</li> </ul>

## Priporočilo za nastavitve temperature

Temperatura okolja	Predelk zamrzovalnika	Predelk hladilnika
Poletje	/	 <p>Nastavite na 2~4</p>
Normalno	/	 <p>Nastavite na 3</p>
Zima	/	 <p>Nastavite na 4~6</p>

## Vpliv na shranjevanje živil

- Pri priporočenih nastavitvah je najoptimalnejši čas shranjevanja v hladilniku največ 3 dni.
- Pri priporočenih nastavitvah je najoptimalnejši čas shranjevanja v zamrzovalniku največ en mesec.
- Pri drugih nastavitvah se ta čas lahko skrajša.

## Zamrzovanje svežih živil

- Predelk za zamrzovanje je primeren za zamrzovanje svežih živil ter dolgotrajno shranjevanje zamrznjenih in globoko zamrznjenih živil.
- Sveža živila, ki jih želite zamrzniti, shranite v predelku za zamrzovanje.
- Največja količina živil, ki jih je mogoče zamrzniti v 24 urah, je navedena na tablici z nazivnimi podatki.

- Postopek zamrzovanja traja 24 ur: med tem časom ne dodajajte nobenih drugih živil, ki bi jih bilo treba zamrzniti.

## Shranjevanje zamrznjenih živil

Ob prvem vklopu ali po daljšem obdobju neuporabe naj aparat vsaj 2 uri, preden vanj shranite živila, deluje na višji nastavitvi.

**POMEMBNO!** Če pride do nenamerne odtaljevanja, na primer, če je bilo napajanje izklopljeno dlje, kot določa vrednost, navedena v tehničnih karakteristikah pod postavko „rising time“ (čas dviga temperature do vrednosti, pri kateri se živila pokvarijo), je treba odtaljena živila hitro zaužiti ali pa jih takoj skuhati in nato (po kuhanju) znova zamrzniti.

## Odtaljevanje

- Globoko zamrznjena ali zamrznjena živila je mogoče pred uporabo odtaliti v predelku hladilnika ali na sobni temperaturi,

odvisno od tega, koliko časa je za to na voljo.

- Manjše koščke je mogoče skuhati celo zamrznjene, neposredno iz zamrzovalnika. V tem primeru bo kuhanje trajalo dlje.

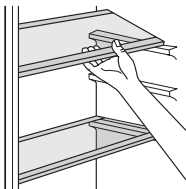
## Ledene kocke

Ta aparat je lahko opremljen z enim ali več pladnji za izdelavo ledenih kock.

## Dodatna oprema

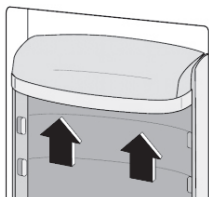
### Premakljive police

Stene hladilnika imajo več vodil, tako da je mogoče police namestiti po želji.



## Nameščanje polic na vratih

Za shranjevanje različno velikih paketov z živili je mogoče police na vratih namestiti na različne višine. Če jih želite prilagoditi, naredite naslednje: postopno vlecite polico v smeri puščic, dokler se ne sprostí, nato pa jo znova namestite tako, kot želite.



## Koristni nasveti in namigi

Da boste postopek zamrzovanja čim bolj izkoristili, je tu nekaj pomembnih nasvetov

- Največja količina živil, ki jo je mogoče zamrzniti v 24 urah, je navedena na tablici z nazivnimi podatki.
- Postopek zamrzovanja traja 24 ur. V tem času ne dodajajte nobenih drugih živil, ki bi jih bilo treba zamrzniti.
- Zamrzujte le živila, ki so visokokakovostna, sveža in temeljito očiščena.
- Živila pripravljajte v majhnih porcijah, da jih boste lahko hitro in popolnoma zamrznili in da boste potem lahko odtalili le potrebno količino.
- Živila zavijte v aluminijasto ali polietilensko folijo in poskrbite, da bodo paketi nepredušno zaprti.
- Preprečite, da bi se sveža, še ne zamrznjena živila dotikala živil, ki so že zamrznjena, saj se zaradi tega lahko temperatura slednjih zviša.
- Shranjevanje živil z manj maščobami je boljše in lahko traja dlje od shranjevanja živil z več maščobami; zaradi soli se čas shranjevanja živil skrajša.
- Če kocke ledu zaužijete takoj, ko jih vzamete iz predelka za zamrzovanje, se lahko na koži pojavijo ozeblinae.
- Pri jemanju iz predelka za zamrzovanje se lahko na koži pojavijo ozeblinae. Na vsak paket je priporočljivo napisati datum zamrzovanja, da boste vedeli, kako dolgo je že shranjen.

## Nasveti za shranjevanje zamrznjenih živil

Za čim boljše delovanje aparata:

- preverite, ali so bila komercialno zamrznjena živila pri trgovcu pravilno shranjena;
- poskrbite, da boste zamrznjena živila iz trgovine čim prej prenesli v zamrzovalno skrinjo;
- vrat ne odpirajte pogosto in ne puščajte jih odprtih dlje, kot je potrebno;
- se zavedajte, da se živila hitro pokvarijo, ko jih odtalite, in jih ne morete znova zamrzniti;
- živil ne shranjujte dlje od obdobja, ki ga navaja proizvajalec živila.

## Nasveti za hlajenje svežih živil

Najboljši učinek dosežete z naslednjim:

- v hladilniku ne shranjujte toplih živil ali hlapnih tekočin;
- živila pokrijte ali zavijte, še posebej, če imajo močan vonj;
- meso (vseh vrst): zavijte v polietilenske vrečke in postavite na stekleno polico nad predal za zelenjavo;
- Zaradi varnosti meso shranite na ta način le za en dan ali največ dva.
- Kuhana živila, hladne jedi itd.: treba jih je pokriti in lahko jih postavite na katero koli polico.
- Sadje in zelenjava: temeljito jih je treba očistiti in shraniti v enega ali več priloženih posebnih predalov.
- maslo in sir: postaviti ju je treba v posebne, nepredušne posode ali pa zaviti v aluminijasto folijo ali polietilenske vrečke, da je zrak čim bolj iztisnjen;
- steklenice z mlekom: morajo imeti pokrovček in treba jih je shraniti v stojalu za steklenice na vratih;
- če banane, krompir, čebula in česen niso pakirani, jih ne smete shranjevati v hladilniku.

## Čiščenje

Iz higienskih razlogov morate notranjost aparata, vključno z dodatno opremo v notranjosti, redno čistiti.

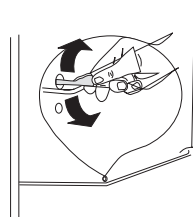
### ! POZOR!

Med čiščenjem aparat ne sme biti priključen na omrežno napajanje. Obstaja nevarnost električnega udara! Pred čiščenjem odklopite aparat in vtič izklopite iz vtičnice ali pa izklopite odklopnik tokokroga ali varovalko. Aparata nikoli ne čistite s parnim čistilnikom. V električnih delih bi se lahko nabrala vlaga; obstaja nevarnost električnega udara! Vroča para lahko poškoduje plastične dele. Preden aparat spet začne delovati, mora biti suh.

**POMEMBNO!** Eterična olja in organska topila, npr. limonov sok ali tekočina iz pomarančnih olupkov, butanojska kislina ali čistila, ki vsebujejo ocetno kislino, lahko poškodujejo plastične dele.

## Očistite odprtino odtoka

Da preprečite pretakanje vode, ki je nastala pri odtaljevanju, v hladilnik, redno čistite odprtino odtoka na zadnjem delu predelka hladilnika. Za čiščenje odprtine uporabljajte čistilo, kot je prikazano na sliki.



- Preprečite stik tovrstnih snovi z deli aparata.
- Ne uporabljajte abrazivnih čistil.
- Vzemite živila iz zamrzovalne skrinje. Dobro pokrita shranite na hladnem mestu.
- Odklopite aparat in izklopite vtič iz vtičnice ali pa izklopite odklopnik tokokroga ali varovalko.
- Aparat in dodatno opremo v notranjosti očistite s krpo in mlačno vodo. Po čiščenju obrišite s krpo, prepojeno s svežo vodo, nato pa s suho krpo obrišite do suhega.
- Ko bo vse suho, aparat znova vklopite.

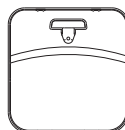
- vrata pustite odprta in pod aparat postavite škaf, da zberete vodo, nastalo zaradi odtaljevanja,
- ko je odtaljevanje končano, notranjost temeljito osušite,
- vtič vklopite nazaj v napajalno vtičnico, da znova zaženete aparat.

## Zamenjava luči



**POZOR!**

Izdelek je opremljen z lučjo LED; če jo želite zamenjati, se obrnite na poprodajno službo.



## Odtaljevanje zamrzovalne skrinje

Predelek za zamrzovanje bo postopoma postajal vedno bolj prekrit z ledom. Led je treba odstraniti. Ledu z uparjalnika nikoli ne strgajte z ostrimi kovinskimi orodji, saj ga lahko poškodujete. Ko pa se na notranji oblogi nabere debela plast ledu, je treba popolno odtaljevanje izvesti na naslednji način:

- izvlecite vtič iz vtičnice,
- odstranite vsa shranjena živila, jih zavijte v več plasti časopisnega papirja in jih shranite na hladnem mestu,

## ODPRAVLJANJE TEŽAV



**POZOR!**

Pred odpravljanjem težav odklopite napajanje. Težave, ki niso navedene v tem priročniku, lahko odpravlja samo kvalificirani električar ali usposobljena oseba.

**POMEMBNO** Med normalno uporabo se pojavljajo določeni zvoki (kompresorja, kroženja hladilnega sredstva).

Težava	Možni vzro	Rešitev
Aparat ne deluje.	Gumb za nadzor temperature je nastavljen na številko „0“.	Če želite vklopiti aparat, nastavite gumb na drugo številko.
	Vtič napajalnega kabla ni priključen ali pa je razrahljan.	Priključite vtič napajalnega kabla.
	Varovalka je pregorela ali pa je okvarjena.	Preverite varovalko in jo po potrebi zamenjajte.
	Vtičnica je okvarjena.	Okvaro vtičnice mora popraviti električar.
Hrana je pretopla.	Temperatura ni pravilno nastavljena.	Oglejte si začetni razdelek o nastavljanju temperature.
	Vrata so bila dlje časa odprta.	Vrata pustite odprta le toliko časa, kolikor je potrebno.
	V zadnjih 24 urah je bila v aparatu shranjena velika količina toplih živil.	Regulator temperature začasno premaknite na nastavitev za nižjo temperaturo.
Aparat je v bližini vira toplote.	Oglejte si razdelek o mestu namestitve.	
Aparat premočno hladi.	Temperatura je nastavljena na prenizko vrednost.	Začasno premaknite gumb za nadzor temperature na višjo temperaturo.
Nenavadni zvoki	Aparat ni izravn.	Znova nastavite nogico.
	Aparat se dotika stene ali drugih predmetov.	Aparat nekoliko premaknite.
	Sestavni del, npr. cev, na zadnji strani aparata se dotika drugega dela aparata ali stene.	Sestavni del po potrebi previdno upognite stran.
Voda na tleh	Odprtina odtoka za vodo je zamašena.	Glejte razdelek o čiščenju.
Stranska ploščica je vroča.	Znotraj ploščice je kondenzator.	To je normalno.

Če spet pride do nepravilnega delovanja, se obrnite na servisni center.

## BEZBEDNOSNA UPUTSTVA


Radi sopstvene bezbednosti obezbedite sigurnu upotrebu, pre instalacije i prve upotrebe uređaja, pročitajte ovo korisničko uputstvo, uključujući i savete i upozorenja. Da biste izbegli nepotrebne greške i nezgode, važno je da se postarate da sve osobe koje koriste uređaj budu detaljno upoznate s njegovim operacijama i bezbedonosnim funkcijama. Sačuvajte ova uputstva i pobrinite se da budu u sklopu uređaja ako bude premešten ili prodat, kako bi svako, ko ga koristi tokom svog života bio upoznat sa pravilnom upotrebom i bezbednošću uređaja. Imajte na umu ovo korisničko uputstvo radi svoje lične sigurnosti i sigurnosti imovine, budući da proizvođač nije odgovoran za štetu učinjenu propustima.

### Bezbednost dece i nesamostalnih osoba

- Ovaj uređaj mogu koristiti deca starosti 8 ili više godina i osobe sa smanjenim fizičkim, čulnim ili mentalnim sposobnostima, ili manjkom iskustva i znanja ukoliko su pod nadzorom, ili su im data uputstva u vezi sa bezbednom upotrebom uređaja, i svesni su mogućeg rizika.
- Deci uzrasta od 3 do 8 godina je dozvoljeno da stavljaju predmete u i uzimaju predmete iz ovog uređaja.
- Deca bi trebalo da budu pod nadzorom, kako biste osigurali da se ne igraju uređajem.
- Čišćenjem i održavanjem ne bi trebalo da se bave deca, osim ako nisu starosti 8 ili više godina i moraju biti pod obaveznim nadzorom.
- Svu ambalažu čuvajte van domašaja dece. Postoji opasnost od gušenja.
- Ukoliko ste odlučili da više ne koristite uređaj, prekinite napajanje uređaja strujom, preseците kabl za napajanje (što je bliže moguće uređaju) i uklonite vrata, kako biste sprečili mogućnost da deca, koja se igraju, pretrpe strujni udar ili se zatvore u uređaj.
- Ukoliko ovaj uređaj ima magnetnu gumu na vratima, a želite da njime zamenite stariji uređaj, koji se zatvarao pomoću opruge na vratima ili poklopcu, onemogućite funkcionisanje zatvaranja starijeg uređaja pomoću opruge. Na ovaj način ćete sprečiti da uređaj postane smrtonosna zamka za dete.

### Opšta bezbednost

** UPOZORENJE!** Održavajte ventilacione otvore u kućištu frižidera ili ugradnoj strukturi čistima od začepljenja.

** UPOZORENJE!** Nemojte koristiti mehaničke uređaje ili druge naprave kako biste ubrzali proces odmrzavanja, osim proizvoda preporučenih od strane proizvođača uređaja.



**⚠ UPOZORENJE!** Nemojte oštetiti sistem za hlađenje.

**⚠ UPOZORENJE!** Nemojte stavljati druge električne uređaje (kao što su uređaji za pravljenje sladoleda) u uređaj za hlađenje, osim ako ih proizvođač nije odobrio u ovu svrhu.

**⚠ UPOZORENJE!** Ne dirajte sijalicu ukoliko radi duže vremena, jer može biti veoma vruća.<sup>1</sup>

**⚠ UPOZORENJE!** Prilikom postavljanja uređaja, uverite se da ništa ne pritiska priključni kabl, kao i da kabl nije oštećen.

**⚠ UPOZORENJE!** Ne postavljajte višestruke prenosive utičnice ili prenosivo napajanje iza uređaja.

- Nemojte čuvati eksplozivne supstance, kao što su ambalaže sprejeva sa zapaljivim gasom u ovom uređaju.
- Supstanca za hlađenje, izobutan (R600a), se nalazi u sistemu za hlađenje uređaja, to je prirodni gas s visokim nivoom ekološke kompatibilnosti, ali izuzetno zapaljiv.
- Pobrinite se da tokom transporta ili postavljanja uređaja ne bude oštećena nijedna komponenta sistema za hlađenje uređaja.
  - izbegavajte otvoren plamen i izvore zapaljivosti
  - temeljno provetrite prostoriju, u kojoj se nalazi uređaj
- Opasno je menjati specifikacije ili modifikovati proizvod na bilo koji način. Bilo kakvo oštećenje kabla može prouzrokovati kratak spoj, požar i/ili strujni udar.
- Ovaj uređaj je namenjen za upotrebu u domaćinstvima i za slične primene, kao što su
  - prostori za zaposlene u kuhinji, u prodavnicama, kancelarije i druga radna okruženja;
  - poljoprivredna domaćinstva i od strane hotelskih i motelskih gostiju, kao i drugih vrsta ovakvih objekata;
  - objekti koji pružaju uslugu noćenja sa doručkom;
  - katering i slične neprodajne namene.

**⚠ UPOZORENJE!** Bilo koju električnu komponentu (utikač, kabl za napajanje, kompresor itd.) mora zameniti ovlašćeni serviser ili kvalifikovano osoblje.

**⚠ UPOZORENJE!** Sijalica, dostavljena sa ovim uređajem, je "sijalica za specijalnu namenu" i može se koristiti samo za uređaj uz koji je dostavljena. Ova "sijalica za specijalnu namenu" se ne može koristiti za kućno osvetljenje.<sup>1</sup>

- Kabl za napajanje se ne sme produžavati.
- Proverite da li je utikač, na zadnjoj strani uređaja, zgnječen ili oštećen.

<sup>1</sup> Ukoliko u uređaju postoji.

Zgnječen ili oštećen utikač može dovesti do pregrevanja i izazvati požar.

- Pobrinite se da vam glavni utikač uređaja bude dostupan.
- Nemojte izvlačiti glavni kabl.
- Ukoliko utičnica nije fiksirana, nemojte priključivati aparat. Postoji rizik od strujnog udara ili vatre.
- Ne smete raditi ništa na uređaju bez osvetljenja.
- Uređaj je težak. Budite oprezni tokom pomeranja uređaja.
- Nemojte uklanjati ili dodirivati elemente iz dela za zamrzavanje ako su vam ruke vlažne/mokre, budući da to može prouzrokovati ogrebotine ili promrzline na koži.
- Izbegavajte duže izlaganje aparata direktnoj sunčevoj svetlosti.

## Dnevna upotreba

- Ne stavljajte vruće stvari na plastične delove uređaja.
- Ne stavljate prehrambene proizvode uza zadnji zid.
- Zamrznuta hrana se ne sme ponovo zamrzavati nakon što se otopi.<sup>2</sup>
- Već zapakovanu zamrznutu hranu čuvajte u skladu sa instrukcijama proizvođača, u vezi sa zamrznutom hranom.<sup>2</sup>
- Striktno se pridržavajte preporuka proizvođača u pogledu držanja stvari u uređaju. Pridržavajte se relevantnih instrukcija.
- Ne stavljate gazirana pića u deo za zamrzavanje, budući da to stvara pritisak, koji može prouzrokovati pucanje ambalaže, što može dovesti do oštećenja uređaja.<sup>2</sup>
- Voćni sladoledi mogu izazvati promrzline ukoliko se konzumiraju odmah po uzimanju iz uređaja.<sup>2</sup>

Kako biste izbegli kontaminiranje hrane, pratite sledeća uputstva

- Držanje uređaja otvorenim tokom dugih vremenskih perioda može da dovede do značajnog rasta temperature unutar odeljaka uređaja.
- Redovno čistite površine koje mogu da dođu u dodir sa hranom, kao i pristupačne delove odvodnog sistema.
- Očistite rezervoare za vodu ukoliko ih niste koristili tokom vremenskog perioda dužeg od 48 h; ukoliko tokom vremenskog perioda od 5 dana niste uzimali vodu iz uređaja, isperite sistem za protok vode vodom iz vodovodne mreže.
- Sirovo meso i ribu unutar frižidera držite u odgovarajućim posudama, kako ove namirnice ne bi došle u dodir sa ili kako ne bi kapale po ostaloj hrani.
- Odeljci za smrznutu hranu označeni sa dve zvezdice (ukoliko postoje u okviru uređaja) pogodni su za držanje prethodno smrznute hrane, za držanje ili pravljenje sladoleda i za pravljenje kockica leda.

<sup>2</sup> Ukoliko postoji deo za zamrzavanje.

- Odeljci označeni jednom, dvema i trima zvezdicama (ukoliko postoje u okviru uređaja) nisu pogodni za zamrzavanje sveže hrane.
- Ukoliko će uređaj biti prazan tokom dužeg vremenskog perioda, isključite ga, odledite, očistite i osušite, a zatim ostavite vrata uređaja otvorenim kako biste sprečili razvoj buđi u unutrašnjosti uređaja.

## Održavanje i čišćenje

- Pre održavanja, isključite uređaj, ili prekinite dotok električne energije.
- Uređaj nemojte čistiti metalnim predmetima.
- Ne koristite oštre predmete, da bi uklonili led sa uređaja. Koristite plastična sredstva za struganje.<sup>2</sup>
- Redovno proveravajte odvod za odleđenu vodu u frižideru. Ukoliko je potrebno, očistite odvod. Ukoliko je odvod blokiran, voda će se sakupljati na dnu uređaja<sup>3</sup>

## Instalacija uređaja

- **VAŽNO!** Za priključivanje na električnu mrežu, pažljivo pratite uputstva data u specifičnim delovima uputstva.
- Raspakujte uređaj i proverite da li postoje na njemu oštećenja. Ne povezujte uređaj na struju, ukoliko je oštećen. Moguća oštećenja odmah prijavite u mestu, gde ste ga kupili. U tom slučaju zadržite ambalažu uređaja.
- Preporučuje se, da sačekate najmanje četiri sata pre nego što priključite uređaj, kako bi se ulje vratilo u kompresor.
- Potrebno je obezbediti adekvatno strujanje vazduha oko uređaja, nepostojanje ovoga može dovesti do pregrevanja. Za postizanje odgovarajućeg protoka vazduha, pratite uputstva potrebna za instalaciju uređaja.
- Gde god je moguće, razmaknica mora biti postavljena između uređaja i zida, kako bi se izbeglo dodirivanje ili hvatanje za vruće delove (kompresor, kondenzator) kako bi se izbegle moguće opekotine.
- Uređaj ne sme biti postavljen blizu radijatora ili štednjaka.
- Pobrinite se da bude obezbeđen lak pristup glavnom utikaču i nakon postavljanja uređaja.

## Servisiranje

- Bilo kakvo servisiranje uređaja, koje zahteva električne radove, treba da bude obavljen od strane kvalifikovanog električara ili kompetentne osobe.

<sup>2</sup> Ukoliko postoji deo za zamrzavanje.


<sup>3</sup> Ukoliko postoji deo za čuvanje sveže hrane



- Samo ovlašćeni centar za servisiranje može obaviti popravke na uređaju, i mogu se koristiti samo originalni rezervni delovi.

## Ušteda energije

- Ne stavljate vruću hranu u uređaj;
- Ne pakujte svu hranu zajedno, budući da to sprečava cirkulaciju vazduha;
- Pobrinite se da hrana ne dotiče zadnji deo pregrade(a);
- Ukoliko nestane struje, ne otvarajte vrata;
- Ne otvarajte često vrata;
- Ne držite vrata otvorena drugo;
- Nemojte postavljati termostat na izuzetno niske temperature
- Potrebno je sve dodatne elemente, poput fioka, polica, polica u vratima uređaja, tamo držati u cilju smanjenja utroška energije.

## Zaštita životne sredine

 Ovaj uređaj ne sadrži gasove, koji mogu oštetiti ozonski omotač, ni u sistemu za hlađenje, ni u materijalima za izolaciju. Uređaj ne bi trebalo odlagati zajedno sa gradskim ili kućnim otpadom. Izolaciona pena sadrži zapaljive gasove: uređaj bi trebalo odložiti u skladu sa propisima za uređaje, koje su izdale lokale vlasti. Izbegavajte pravljenje oštećenja dela za hlađenje, posebno dela za razmenu toplote. Materijali korišćeni za ovaj uređaj, mogu se reciklirati ukoliko su označeni simbolom za reciklažu. ♻️

 Oznaka na proizvodu, ili njegovom pakovanju, ukazuje da ovaj proizvod ne sme biti tretiran kao otpad nastao u domaćinstvu. Umesto toga,  treba ga ostaviti na odgovarajućem mestu, na kojem se sakuplja električna i elektronska oprema. Osiguravanjem da je proizvod ispravno odložen, pomoćićete sprečavanju potencijalnih negativnih posledica po životnu sredinu i ljudsko zdravlje, koje inače mogu biti uzrokovane nepravilnim odlaganjem otpada ovog uređaja. Za više detalja o recikliranju ovog proizvoda, molimo vas da kontaktirate svoju lokalni organ za zaštitu životne sredine, preduzeće za odlaganje komunalnog otpada ili prodavnicu, u kojoj ste kupili proizvod.

## Materijali ambalaže

Materijali označeni ovim simbolom mogu se reciklirati. Ambalažu odložite u odgovarajući konterjner za prikupljanje otpada za reciklažu.

## Odlaganje uređaja

1. Prekinite napajanje uređaja strujom.
2. Odsecite kabl za napajanje i odložite ga.

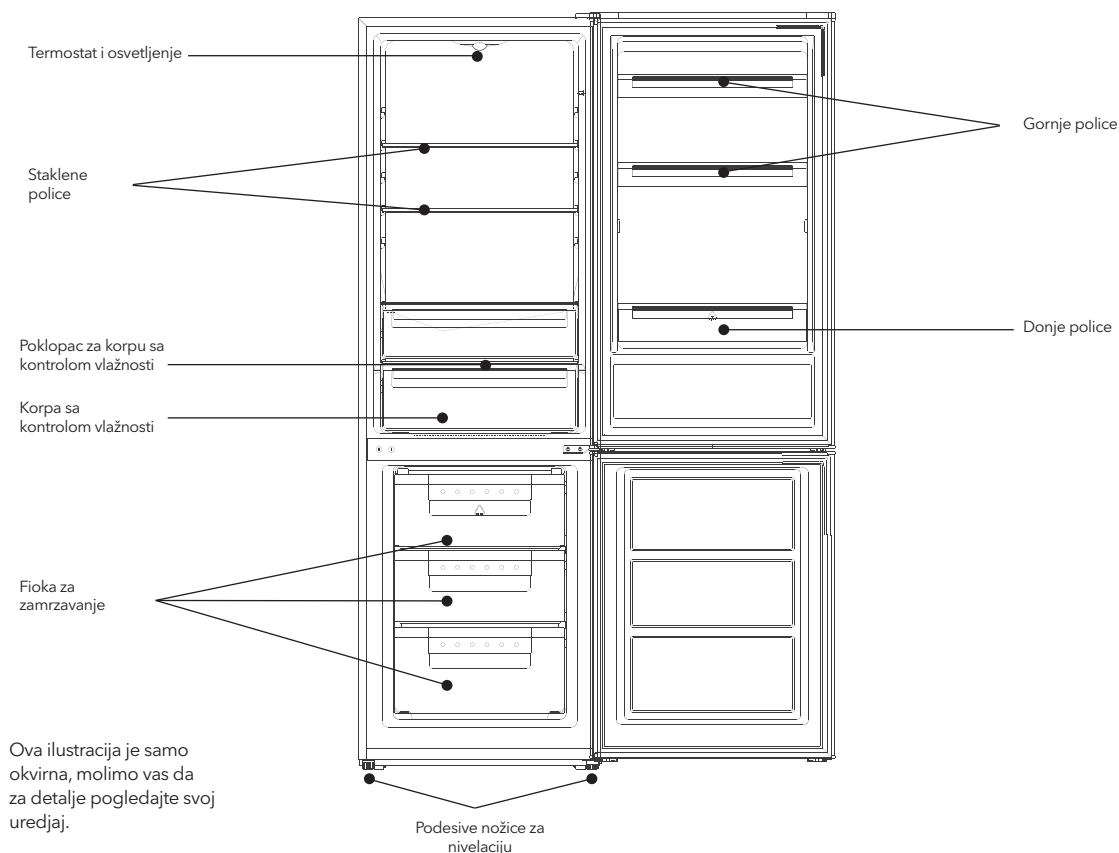


## UPOZORENJE!

Prilikom upotrebe, servisiranja i odlaganja uređaja, imajte u vidu oznaku žute ili narandžaste boje, sličnu onoj prikazanoj na slici levo, koja se nalazi na poledini uređaja (tabla ili kompresor na poledini uređaja).

Ova oznaka predstavlja simbol rizika od požara. U cevima za rashladno sredstvo i u kompresoru se nalaze zapaljivi materijali. Molimo Vas da tokom upotrebe, servisiranja i odlaganja, uređaj držite dalje od izvora vatre.

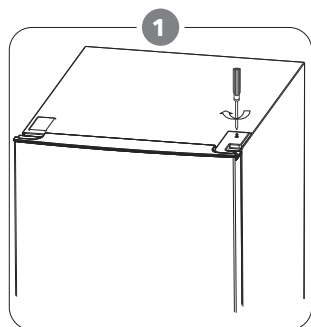
## PREGLED



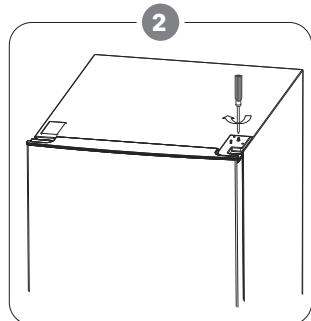
# ZAMENA SMERA OTVARANJA VRATA

Potreban alat: Philips odvijač, ravni odvijač, šestougaoni ključ.

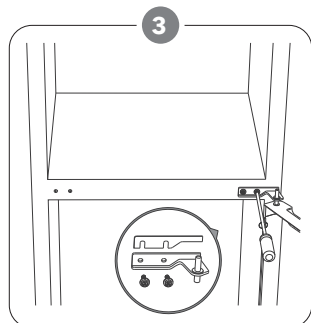
- Pobrinite se da uređaj bude isključen i prazan.
- Da biste skinuli vrata, potrebno je da uređaj nagnete unazad. Uređaj treba da bude postavljen na tvrdu podlogu, kako se ne bi dogodilo da isklizne prilikom zamene položaja vrata.
- Svi uklonjeni delovi moraju biti sačuvani radi ponovnog instaliranja vrata.
- Uređaj nemojte stavljati u horizontalan položaj, jer to može oštetiti sistem za hlađenje.
- Preporučuje se da dve osobe učestvuju u montiranju.



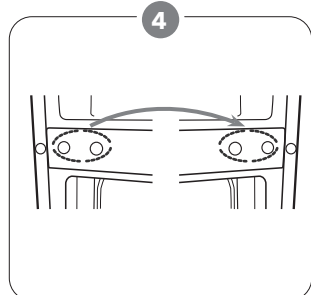
Odšrafite i uklonite štitnik za šarku.



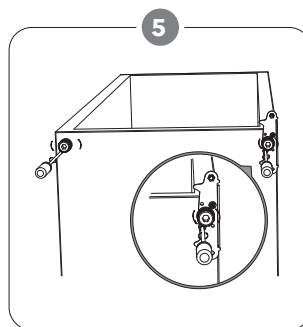
Odšrafite i uklonite šarku.



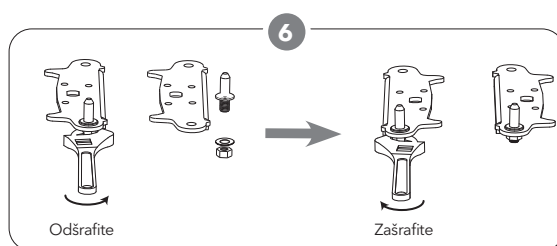
Odšrafite srednju šarku. Podignite donji deo vrata, i stavite na meku podlogu, kako biste izbegli ogrebotine.



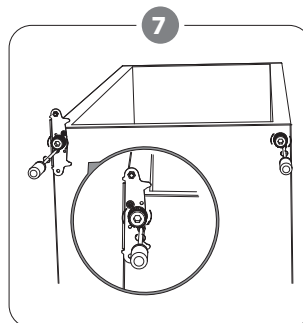
Premestite štitnike rupa za šarke sa leve na desnu stranu.



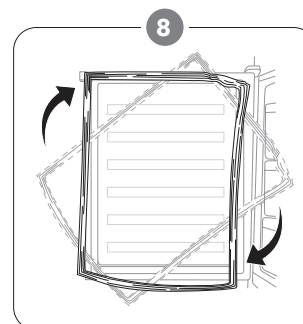
Odšrafite donju šarku. Zatim uklonite podesive nožice s obe strane.



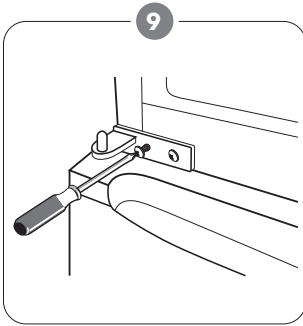
Odvrnite i uklonite donju iglu za šarku, okrenite držač i vratite ga.



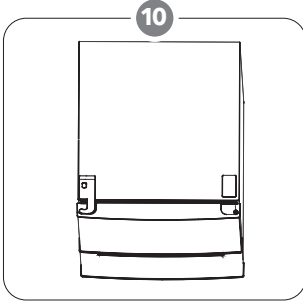
Ponovo postavite podupirač, tako što ćete staviti iglu. Vratite obe podesive nožice. Premestite donja vrata na odgovarajuću poziciju.



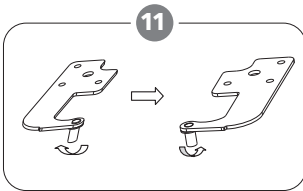
Uklonite zaptivke sa vrata frižidera i zamrzivača, a zatim ih zarotirajte i, nakon toga, ponovo postavite.



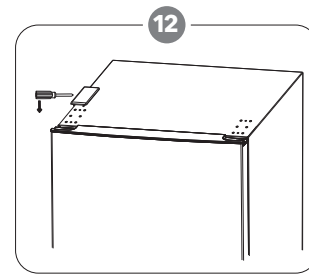
9  
Obrnite donju šarku za 180°, zatim je premestite na levu stranu. Postavite srednju iglu sa srednje šarke u gornju rupu donjih vrata, zatim zategnite vijke.



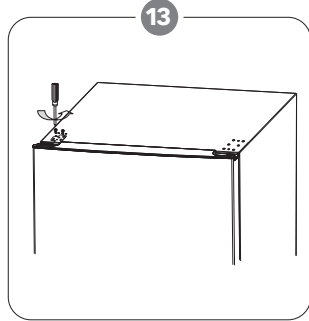
10  
Postavite ponovo gornja vrata. Pobrinite se da vrata budu poravnana horizontalno i vertikalno, tako da guma prijanja sa svih strana, pre nego što konačno pričvrstite gornju šarku. Zatim stavite šarku, i zašrafite je na vrhu uređaja.



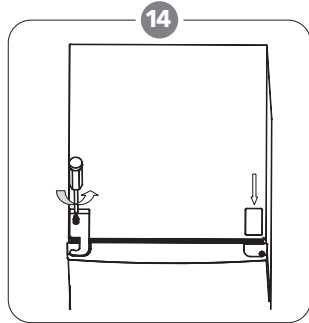
11  
Odvrnite iglu za šarku i obrnite šarku, i onda vratite iglu.



12  
Otvorite štitnik rupe za šarku.



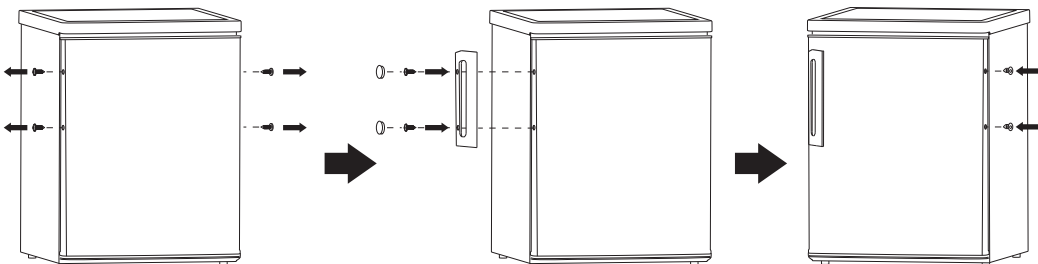
13  
Postavite šarku na levu stranu.



14  
Postavite štitnik za šarku na levu stranu i štitnik rupe za šarku na desnu.

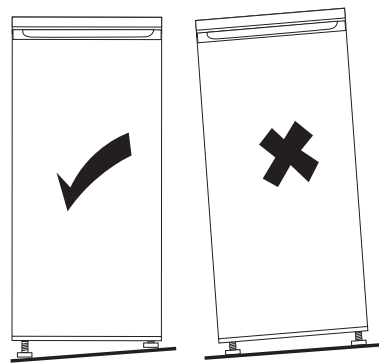
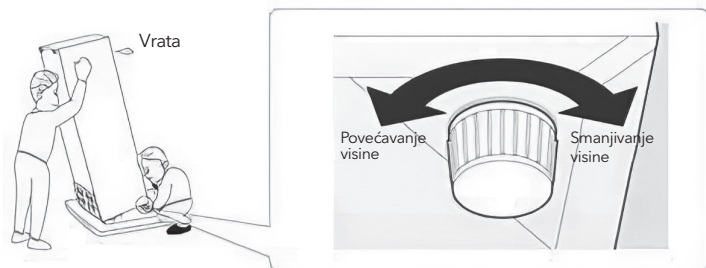
## UGRADNJA UREĐAJA

Postavite spoljnu ručku za vrata (ukoliko spoljna ručka postoji)



## Potrebe prostora

- Ostavite dovoljno mesta za otvaranje vrata.
- Ostavite najmanje 50mm razmaka s obe strane



## Pozicioniranje

Postavite ovaj uređaj na mesto čija sobna temperatura odgovara klimatskoj klasi navedenoj na pločici sa podacima o uređaju:

Kod uređaja za rashlađivanje sa sledećim klimatskim klasama:

- prošireno umerena: ovaj uređaj za rashlađivanje je namenjen za upotrebu na sobnim temperaturama koje se kreću u opsegu od 10°C do 32°C (SN);
- umerena: ovaj uređaj za rashlađivanje je namenjen za upotrebu na sobnim temperaturama koje se kreću u opsegu od 16°C do 32°C (N);
- suprotropska: ovaj uređaj za rashlađivanje je namenjen za upotrebu na sobnim temperaturama koje se kreću u opsegu od 16°C do 38°C (ST);
- tropska: ovaj uređaj za rashlađivanje je namenjen za upotrebu na sobnim temperaturama koje se kreću u opsegu od 16°C do 43°C (T);

## Lokacija

Uređaj treba da bude postavljen daleko od izvora toplote, kao što su radijatori, bojleri, izlaganje direktnim sunčevim zracima itd. Postarajte se da vazduh slobodno cirkuliše oko zadnjeg dela frižidera, kako biste osigurali najbolju učinak. Ukoliko je uređaj postavljen ispod visećeg dela, minimalni razmak između vrha uređaja i visećeg

dela treba da bude bar 50 mm. Idealno bi bilo da uređaj ne bude postavljen ispod visećeg dela. Odgovarajuća nivelacija se postiže uz pomoć jedne ili više podesnih nožica, u zavisnosti od uređaja. Nije predviđeno da se ovaj uređaj za rashlađivanje upotrebljava kao ugradni uređaj;

### ⚠ UPOZORENJE!

Prekidanje napajanja uređaja mora biti omogućeno; iz tog razloga, utičnica mora biti dostupna nakon postavljanja uređaja.

## Povezivanje na struju

Pre uključivanja, proverite da napon i frekvencija prikazana na tablici specifikacije odgovaraju naponu struje domaćinstva. Uređaj mora biti uzemljen. Kabl za napajanje električnom energijom je opremljen kontaktom za ovu namenu. Ukoliko utičnica u domaćinstvu nema uzemljenje, priključite uređaj na izdvojeno uzemljenje u skladu sa trenutnim propisima; konsultujte se sa kvalifikovanim električarem. Proizvođač ne snosi nikakvu odgovornost, ukoliko gore navedene preventivne mere nisu ispoštovane. Ovaj uređaj ispunjava uslove EEC direktiva.

# DNEVNA UPOTREBA

## Prva upotreba

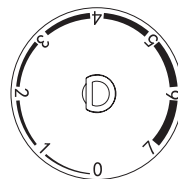
### Čišćenje unutrašnjosti uređaja

Pre korišćenja uređaja po prvi put, očistite unutrašnjost i sve unutrašnje elemente mlakom vodom i neutralnim sapunom, kako biste uklonili tipičan miris novog proizvoda, a zatim ga dobro osušite.

**VAŽNO!** Ne koristite deterdžente ili abrazivna sredstva, budući da mogu da oštete površinu.

## Podešavanje temperature

- Uključite svoj uređaj. Unutrašnju temperaturu reguliše termostat. Postoji 8 nivoa temperature, 1 je najtopli nivo, 7 je najhladniji, i 0 znači da je uređaj isključen.
- Uređaj možda neće raditi na pravoj temperaturi, ako se nalazi u veoma toplom okruženju ili ako često otvarate vrata.



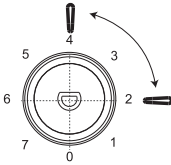
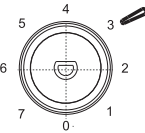
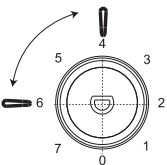


## Svakodnevna upotreba

Različite vrste namirnica raspoređuje u različite odeljke, prema podacima navedenim u sledećoj tabeli

Odeljci frižidera	Vrste namirnica
Vrata ili police u vratima odeljka za rashlađivanje	<ul style="list-style-type: none"> <li>Namirnice sa prirodnim konzervansima, poput džemova, sokova, pića, dodataka jelima.</li> <li>Nemojte držati kvarljive namirnice.</li> </ul>
Crisper fioka za čuvanje svežine (fioka za čuvanje salate)	<ul style="list-style-type: none"> <li>Voće, začinsko bilje i povrće treba držati zasebno u crisper fioci za čuvanje svežine.</li> <li>Banane, crni luk, paradajz i beli luk ne treba držati u frižideru.</li> </ul>
Polica frižidera - srednja	<ul style="list-style-type: none"> <li>Mlečni proizvodi, jaja</li> </ul>
Polica frižidera - gornja	<ul style="list-style-type: none"> <li>Hrana koju nije potrebno termički obrađivati, poput gotove hrane, mesnih prerađevina, ostataka hrane.</li> </ul>
Fioka(e)/polica zamrzivača	<ul style="list-style-type: none"> <li>Namirnice koje se drže tokom dužeg vremenskog perioda.</li> <li>Donja fioka/polica za sveže meso, živinsko meso, ribu.</li> <li>Srednja fioka/polica za smrznuto povrće, pomfrit.</li> <li>Gornja fioka/polica za sladoled, smrznuto voće, smrznutu kuvanu hranu.</li> </ul>

## Preporuka za temperaturna podešavanja

Spoljašnja temperatura	Odeljak zamrzivača	Odeljak frižidera
Letnja	/	 <p>Podesite na 2~4</p>
Normalna	/	 <p>Podesite na 3</p>
Zimska	/	 <p>Podesite na 4~6</p>

## Efekat na skladištenje hrane

- Pri preporučenim podešavanjima, optimalni period čuvanja hrane u frižideru iznosi ne duže od 3 dana.
- Pri preporučenim podešavanjima, optimalni period čuvanja hrane u zamrzivaču iznosi ne duže od 1 meseca.
- Pri drugim vrednostima podešavanja, optimalni period čuvanja hrane može biti kraći.

## Zamrzavanje sveže hrane

- Deo za zamrzavanje je pogodan za zamrzavanje sveže hrane i čuvanje zaleđene i duboko zamrznute hrane na duži vremenski period.
- Svežu hranu stavite u pregradu na dnu, kako biste je zamrzili.
- Maksimalna količina hrane koja može biti zaleđena u 24 sata je

navedena u tablici specifikacije. Proces zamrzavanja traje 24 sata: tokom ovog perioda nemojte dodavati još hrane, predviđene da se zamrzne.

## Čuvanje zamrznute hrane

Ukoliko se uključuje po prvi put, ili nakon dužeg perioda van upotrebe, pre stavljanja hrane u pregradu, uređaj treba da radi najmanje 2 sata podešen na najviše vrednosti.

**VAŽNO!** Ukoliko dođe do slučajnog odmrzavanja, na primer, ukoliko nema struje duže nego što je prikazano u tehničkim karakteristikama pod delom "rising time", zamrznuta hrana se mora brzo upotrebiti, ili odmah termički obraditi i onda ponovo zamrznuti (nakon što je spremjena).

## Odmrzavanje

- Duboko zamrznuta ili zaleđena hrana, pre upotrebe, može biti odmrznuta ili u pregradama frižidera ili na sobnoj temperaturi, u zavisnosti od raspoloživog vremena.
- Manji komadi se mogu čak pripremati za jelo iako su i dalje zaleđeni, direktno iz zamrzivača. U ovom slučaju priprema hrane traje duže.

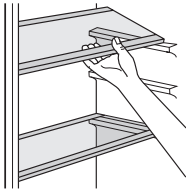
## Kocke leda

Ovaj uređaj možda nije opremljen jednom ili više posuda za pravljenje kocki leda.

## Prateći elementi

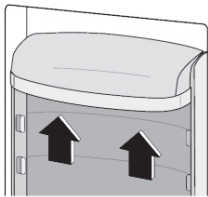
### Police koje se mogu pomerati

Zidovi frižidera imaju niz žljebova, tako da se police mogu podešavati po želji.



## Podešavanje policica na vratima

Kako biste omogućili odlaganje hrane različitih veličina, police na vratima mogu biti podešene na različite nivoe. Kako biste ovo prilagodili, učinite sledeće: postepeno spuštajte policu u smeru strelice, dok se bude slobodna, a onda je pozicionirajte po potrebi.



## Korisni saveti

Kako bismo vam pomogli da što bolje iskoristite proces zamrzavanja, evo nekih važnih saveta:

- maksimalna količina hrane koja može biti zaleđena u 24 sata je navedena na tablici specifikacije;
- proces zamrzavanja traje 24 sata. Tokom ovog perioda ne bi bilo poželjno dodavanje hrane za zamrzavanje;
- zamrzavajte samo kvalitetnu, svežu i potpuno očišćenu hranu;
- hrana treba da bude podeljena u manje porcije, kako bi bilo omogućeno brže i potpuno zamrzavanje, i kako bi se kasnije mogla odmrznuti samo potrebna količina;
- hranu zavijte u aluminijumsku ili polietilensku foliju i pobrinite se da pakovanja ne propuštaju vazduh; nemojte da dozvolite da nezaleđena hrana dodiruje već zaleđenu, kako biste joj izbegli porast temperature.
- nemasna hrana se čuva bolje i duže od masne; so smanjuje vek trajanja čuvane hrane;
- ukoliko se kockice leda upotrebe odmah nakon što su izvađene iz zamrzivača, mogu izazvati promrzline na koži;
- uklanjanje hrane iz dela za zamrzavanje može izazvati promrzline na koži;
- savetuje se, da na svakom paketiću smrznute hrane navedete datum zamrzavanja, da biste znali koliko dugo se čuva.

## Saveti za čuvanje zamrznute hrane

Kako biste dobili najbolji učinak od ovog uređaja, treba da:

- da proverite, da je komercijalno zamrznutu hranu adekvatno čuvao prodavac;
- postarajte se da hrana bude prenesena od prodavnice do zamrzivača u najkraćem mogućem roku;
- Ne otvarajte vrata često, i ne ostavljajte ih otvorena duže nego što je potrebno. Hrana koja se jednom odmrzne brzo propada i ne može biti ponovo zamrznuta.
- Nemojte prekoračivati rok za čuvanje, koji je naznačio proizvođač.

## Saveti za hlađenje sveže hrane

Kako biste dobili najbolji učinak:

- Ne čuvajte vruću hranu ili tečnosti koje isparavaju u frižideru
- Pokrijte ili uvijte hranu, naročito ako ima jak miris
- Sve vrste: uvijte u polietilenske kese i stavite na staklene police iznad fioke za povrće.
- Radi sigurnosti, hranu na ovaj način čuvajte jedan dan, najviše dva.
- Kuvana hrana, hladna jela, itd...: treba ih pokriti i mogu se odložiti na bilo koju policu.
- Voće i povrće: treba da bude temeljno oprano i odloženo u fioke, namenjene za njihovo čuvanje.
- buter i sir: treba da budu stavljeni u specijalne posude koje ne propuštaju vazduh, ili zavijeni u aluminijumske folije ili polietilenske kese kako bi se uklonilo što više vazduha.
- Boce s mlekom/jogurtom: treba da budu zatvorene i da se čuvaju u policama na vratima.
- Banane, krompir, luk i beli luk, ukoliko nisu zapakovani, ne smeju biti čuvani u frižideru.

## Čišćenje

Iz higijenskih razloga unutrašnjost uređaja, uključujući i unutrašnje elemente, treba čistiti redovno.

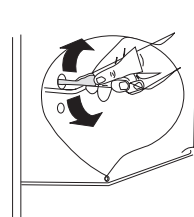
### ! OPREZI!

Uređaj ne sme biti povezan strujom tokom čišćenja. Postoji opasnost od strujnog udara! Pre čišćenja uređaja, isključite ga i prekinite dotok električne energije, ili isključite automatsku sklopku ili osigurač. Uređaj nikako ne čistite paročistačem. Vлага može da se nakupi u električnim komponentama, opasnost od strujnog udara! Vrela isparenja mogu dovesti do oštećenja plastičnih delova. Uređaj mora biti suv pre ponovne upotrebe.

**VAŽNO!** Eterična ulja i organski rastvarači mogu nagristi plastične delove, na primer limunov sok, ili sok od pomorandžine kore, karboksilne kiseline, sredstva za čišćenje koja sadrže sircetnu kiselinu.

## Čišćenje odvoda

Kako biste izbegli da odleđena voda ulazi u frižider, povremeno očistite odvod na zadnjoj strani dela za hlađenje. Koristite sredstvo za čišćenje, da biste očistili rupu, kako je prikazano na desnoj slici.



- Ne dozvolite da ovakve supstance dođu u kontakt sa delovima uređaja.
- Nemojte koristiti abrazivna sredstva za čišćenje
- Uklonite hranu iz zamrzivača. Hranu čuvajte na hladnom mestu, i dobro je pokrijte.

- Isključite uređaj i prekinite dotok električne energije, ili isključite automatsku sklopku ili osigurač.
- Očistite uređaj i unutrašnje elemente tkaninom i mlakom vodom. Nakon čišćenja isperite čistom vodom i osušite krpom.
- Nakon što sve bude suvo, ponovo uključite uređaj.

- držite vrata otvorena, i postavite ne previše duboku posudu ispod uređaja, kako bi se tu sakupljala odleđena voda;
- kada proces odleđivanja bude gotov, temeljno osušite unutrašnjost, ponovo povežite uređaj na napajanje.

## Otapanje zamrzivača

Vremenom će deo za zamrzavanje biti prekriven slojem leda. Njega treba ukloniti. Nikad ne koristite oštre metalne alate da biste skinuli led sa isparivača, budući da ga tako možete oštetiti.

Međutim, ukoliko je sloj leda veoma debeo sa unutrašnje strane, potpuni proces odleđivanja treba obaviti na sledeći način:

- prekinite napajanje uređaja strujom;
- uklonite svu hranu iz uređaja, umotajte je u nekoliko slojeva novina i odložite je na hladno mesto;

## Menjanje sijalice

### ! OPREZ!

Unutrašnje svetlo je tipa LED. Kako biste uklonili sijalicu, molimo vas da kontaktirate kvalifikovanog majstora.



## REŠAVANJE PROBLEMA

### ! OPREZ!

Pre rešavanja problema, prekinite napajanje električnom energijom. Samo kvalifikovani električar ili kompetentna osoba treba da reši problem koji nije naveden u ovom uputstvu.

**VAŽNO!** Postoje određeni zvukovi, koje uređaj proizvodi tokom normalne upotrebe (kompresor, rashladni deo uređaja).

Problem	Mogući uzrok	Rešenje
Uređaj ne radi	Regulator temperature je postavljen na "0".	Postavite regulator temperature na neki drugi broj, kako biste uključili uređaj.
	Uređaj nije priključen na strujno kolo.	Utaknite utikač.
	Osigurač je ispaao ili je neispravan.	Proverite osigurač, zamenite ga ako je potrebno.
	Utičnica je neispravna.	Kvarove utikača treba da popravi električar.
Hrana je pretopla.	Temperatura nije pravilno podešena.	Molimo vas, pogledajte odeljak za osnovni nivo temperature.
	Vrata su bila otvorena duže vremena.	Držite vrata otvorenim samo onoliko, koliko je potrebno.
	Velika količina tople hrane je stavljena u uređaj u poslednja 24 sata.	Podesite regulator temperature na privremeno na nižu temperaturu.
	Uređaj je blizu izvora toplote.	Molimo vas, pogledajte odeljak za lokaciju i instalaciju.
Uređaj previše hladi	Regulator temperature je podešen na hladno.	Podesite regulator temperature na privremeno na višu temperaturu
Neobični zvukovi	Uređaj nije nivelisan.	Ponovo podesite nožice.
	Uređaj dodiruje zid ili druge predmete.	Malo pomerite uređaj.
	Deo, kao što je cevovod na zadnjoj strani uređaja, dodiruje druge delove uređaja ili zid.	Ukoliko je potrebno, pažljivo uklonite deo koji predstavlja prepreku.
Voda na podu	Odvod je blokiran.	Pogledajte odeljak za čišćenje.
Ploča sa strane je vruća	Kondenzator je unutar ploče.	To je normalno.

Ukoliko se kvar pojavi ponovo, kontaktirajte Servisni centar.

## SÄKERHET

---

För din säkerhet och för att säkerställa en korrekt användning bör du läsa igenom denna bruksanvisning noggrant innan du installerar och använder apparaten för första gången, inklusive instruktioner och varningar. För att undvika onödiga fel och olyckor är det viktigt att se till att alla personer som använder utrustningen är väl förtrogna med utrustningens funktion och säkerhetsfunktioner. Spara dessa anvisningar och se till att de förvaras tillsammans med apparaten när den överläts eller säljs, så att alla användare är korrekt informerade om apparatens funktion och säkerhet under hela dess livslängd.


För personers och egendoms säkerhet bör du följa försiktighetsåtgärderna i dessa anvisningar, eftersom tillverkaren inte kan hållas ansvarig för skador som orsakats av vårdslöshet.

### Säkerhet för barn och utsatta personer

- Denna apparat kan användas av barn från 8 år och äldre och av personer med nedsatt fysisk, sensorisk eller mental förmåga eller bristande erfarenhet eller kunskap, förutsatt att de övervakas eller instrueras i säker användning av apparaten och förstår de risker som är förknippade med den.
- Barn mellan 3 och 8 år får fylla och tömma apparaten.
- Barn måste övervakas så att de inte leker med apparaten.
- Barn får inte utföra rengörings- och underhållsarbeten om de inte är minst 8 år gamla och övervakas.
- Förvara alla förpackningar utom räckhåll för barn. Det finns risk för kvävning.
- Om du gör dig av med apparaten ska du koppla ur apparaten, koppla ur nätsladden (så nära apparaten som möjligt) och lossa dörren för att förhindra att lekande barn får elektriska stötar eller fastnar inuti.
- Om den här apparaten har en magnetisk dörrtätning för att ersätta en äldre apparat med ett fjäderlås på dörren eller locket, se till att fjäderlåset inte fungerar innan du gör dig av med den gamla apparaten. På så sätt förhindrar du att den blir en dödsfälla för barn.

### Allmän säkerhet

 **VARNING!** Håll ventilationsöppningarna i apparatens hölje eller inbyggda struktur fria.

 **VARNING!** Använd inte mekaniska anordningar eller andra medel för att påskynda avfrostningsprocessen, förutom de som rekommenderas av tillverkaren.

**⚠️ WARNING!** Skada inte köldmediekretsen.

**⚠️ WARNING!** Do not use other electrical appliances (such as ice cream makers) inside of refrigerating appliances, unless they are approved for this purpose by the manufacture.

**⚠️ WARNING!** Använd inte andra elektriska apparater (t.ex. glassmaskiner) i kylmaskiner om inte tillverkaren har godkänt detta.<sup>1</sup>

**⚠️ WARNING!** Rör inte lampan om den har varit på under en längre tid, den kan bli mycket varm.

**⚠️ WARNING!** När du placerar apparaten ska du se till att elkabeln inte fastnar eller skadas.

**⚠️ WARNING!** Placera inte flera bärbara uttag eller bärbara nätaggregat på baksidan av apparaten.

- Förvara inte explosiva material, t.ex. aerosolburkar som innehåller brännbara drivmedel, i apparaten.
- Apparatsens köldmediekrets innehåller isobuten (R600a), en naturgas som är mycket miljövänlig men brandfarlig.
- Under transport och installation av apparaten ska du se till att ingen av komponenterna i köldmediekretsen skadas.
  - Undvik öppen eld och antändningskällor.
  - Ventilera noga rummet där apparaten är placerad.
- Det är farligt att ändra de tekniska specifikationerna eller att modifiera produkten på något sätt. Skador på ledningarna kan orsaka kortslutning, brand och/eller elektriska stötar.
- Utrustningen är avsedd för användning i hushåll och liknande tillämpningar, t.ex.
  - Personalutrymmen i butiker, kontor och andra arbetsmiljöer.
  - Sommarbostäder och kundanvändning på hotell, motell och andra boendemiljöer.
  - Bed and breakfast-miljöer.
  - Catering och liknande tillämpningar utanför detaljhandeln.

**⚠️ WARNING!** Alla elektriska delar (stickpropp, nätsladd, kompressor etc.) måste bytas ut av en certifierad serviceagent eller kvalificerad servicepersonal.

**⚠️ WARNING!** Lampan som levereras med den här apparaten är en "glödlampa för speciella ändamål" som endast kan användas i den medföljande apparaten. Denna "glödlampa för speciella ändamål" får inte användas för hushållsbelysning.<sup>1</sup>

- Förläng inte nätkabeln.

<sup>1</sup> Om facket har belysning.

- Se till att nätkontakten inte är klämd eller skadad på baksidan av apparaten. En klämd eller skadad kontakt kan överhettas och orsaka brand.
- Se till att du har tillgång till apparatens stickpropp.
- Dra inte i sladden.
- Om eluttaget är löst får du inte trycka in kontakten. Det finns risk för elchock eller brand.
- Använd inte apparaten utan glödlampa.
- Den här apparaten är tung. Försiktighet måste iaktas när du flyttar den.
- Ta inte bort eller rör inte vid föremål i frysfacket om dina händer är våta/blöta, eftersom detta kan orsaka hudskador eller förfrysning.
- Undvik långvarig exponering för direkt solljus.

## Daglig användning

- Sätt inte heta föremål på apparatens plastdelar.
- Placera inte maten direkt mot bakväggen.
- Frysta livsmedel får inte frysas in på nytt efter att de har tinats upp. <sup>2</sup>
- Förvara färdigförpackade frysta livsmedel enligt tillverkarens anvisningar. <sup>2</sup>
- Tillverkarnas förvaringsrekommendationer måste följas strikt. Se relevanta anvisningar.
- Placera inte kolsyrade drycker i frysfacket eftersom det skapar tryck i behållaren som kan få den att explodera och skada apparaten <sup>2</sup>
- Glass kan orsaka frostsador om den konsumeras direkt från apparaten.
- Följ dessa anvisningar för att undvika matförstöring.
- Om luckan öppnas under en längre tid kan det leda till en betydande temperaturökning i apparatens utrymmen.
- Rengör regelbundet ytor som kan komma i kontakt med livsmedel samt även alla tillgängliga avrinningsdelar.
- Rengör vattentankarna om de inte har använts på 48 timmar; spola vattensystemet som är anslutet till vattenförsörjningen om inget vatten har tagits på 5 dagar.
- Förvara rått kött och rå fisk i lämpliga behållare i kylskåpet så att de inte kommer i kontakt med andra livsmedel och inte droppar på andra livsmedel.
- Tvåstjärniga frysack (om apparaten har en sådan) är lämpliga för förvaring av färdigt frysta livsmedel, förvaring eller beredning av glass och beredning av isbitar.
- En-, två- och trestjärniga fack (om apparaten har en sådan) är inte lämpliga för att frysa färska livsmedel.

<sup>2</sup> Om apparaten har ett frysack.

- Om apparaten lämnas oanvänd under långa perioder ska du stänga av, avfrostas, rengöra och torka apparaten och lämna dörren öppen för att förhindra mögeltillväxt.

## Underhåll och rengöring

- Innan du utför service ska du stänga av apparaten och dra ur kontakten.
- Rengör inte apparaten med metallföremål.
- Använd inte vassa föremål för att ta bort is från apparaten. Använd en plastskrapa.<sup>2</sup>
- Kontrollera regelbundet om det finns smältvatten i kylskåpets avlopp. Om avloppet är blockerat samlas vatten i botten av apparaten.<sup>3</sup>

## Installation

- **VIKTIGT!** Följ noggrant instruktionerna för den elektriska anslutningen.
- Packa upp apparaten och kontrollera om den är skadad. Anslut inte apparaten om den är skadad. Rapportera eventuella skador omedelbart till inköpsstället. Behåll förpackningen som du köpte produkten i.
- Det rekommenderas att vänta minst fyra timmar innan du slår på apparaten så att oljan kan strömma tillbaka in i kompressorn.
- Det är viktigt att se till att luftcirkulationen runt enheten är tillräcklig, eftersom brist på luftcirkulation leder till överhettning. Följ installationsanvisningarna för att säkerställa tillräcklig ventilation.
- Om möjligt ska produktens distanshållare stå mot väggen för att undvika kontakt med heta delar (kompressor, kondensator), detta för att undvika eventuella brännskador.
- Apparaten får inte placeras i närheten av värmeelement eller spisar.
- Se till att nätuttaget är tillgängligt efter installation av apparaten.

## Service

- Allt elektriskt arbete som krävs för att serva apparaten måste utföras av en kvalificerad elektriker eller en kvalificerad person.
- Denna produkt måste servas av ett auktoriserat servicecenter och endast originalreservdelar får användas.

## Energibesparing



- Lägg inte varm mat i apparaten.
- Packa inte maten tätt ihop, eftersom det hindrar luftcirkulationen.
- Se till att maten inte rör baksidan av facken.


<sup>2</sup> Om apparaten har ett frysack.

<sup>3</sup> Om apparaten har ett förvaringsfack för livsmedel.

- Öppna inte dörren/dörrarna om strömmen bryts.
- Öppna inte dörren/dörrarna ofta.
- Håll inte dörren/dörrarna öppna under långa perioder.
- Ställ inte in termostaten för lågt.
- Alla tillbehör som lådor, hyllor etc. bör hållas på plats för att minska energiförbrukningen.

## Miljöskydd

 Den här apparaten innehåller inga ozonedbrytande gaser i köldmediekretsen eller i isoleringsmaterialet. Apparaten får inte slängas bland hushållsavfall. Isoleringsskummet innehåller brandfarliga gaser: apparaten måste kasseras i enlighet med de lokala myndigheternas föreskrifter för utrustning. Undvik att skada kylväxelnheten, särskilt värmeväxlaren. Delar märkta med symbolen  kan återvinnas.

 Symbolen på produkten eller dess förpackning visar att produkten inte får behandlas som hushållsavfall. I stället ska den föras till ett lämpligt insamlingsställe för återvinning av elektrisk och elektronisk utrustning. Genom att se till att denna produkt tas om hand på rätt sätt bidrar du till att undvika de potentiella negativa konsekvenser för miljön och människors hälsa som annars skulle kunna orsakas av olämplig avfallshantering av denna produkt. För mer information om återvinning av denna produkt, kontakta de lokala myndigheterna eller den butik där du köpte den.

## Förpackningsmaterial

Material som innehåller återvinningssymbolen är återvinningsbart. Släng förpackningen i en lämplig behållare för återvinning.

## Kassering

1. Dra ut nätkontakten ur uttaget.
2. Klipp av och släng nätkabeln.



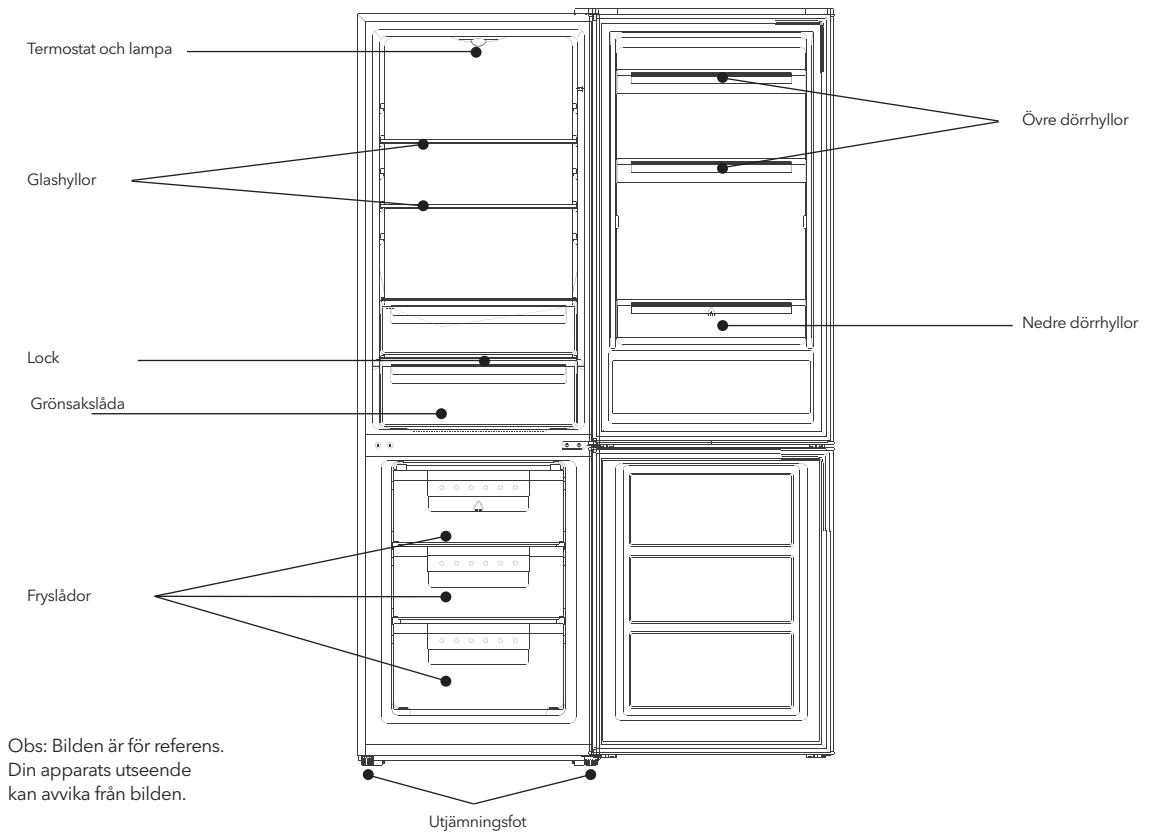
### **VARNING!**

Var uppmärksam på den bifogade ikonen vid användning, underhåll och bortskaffande (ikonen finns på apparatens baksida och är orange och svart i färgen). Ikonen varnar för en brandrisk.

Apparaten innehåller brandfarliga ämnen. Håll eldkällor borta vid användning, underhåll och bortskaffande.



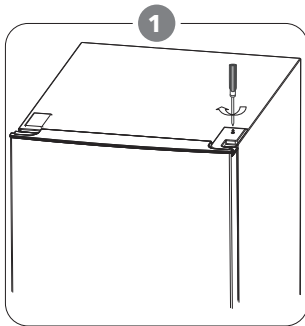
## ÖVERSIKT



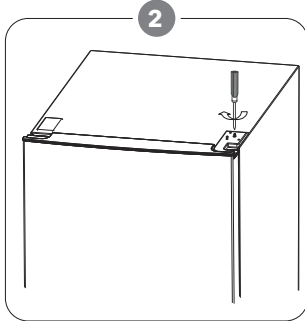
# ATT SVÄNGA OM DÖRREN

Verktyg som behövs: Phillipsskruvmejsel, mejselskruvmejsel, skiftnyckel.

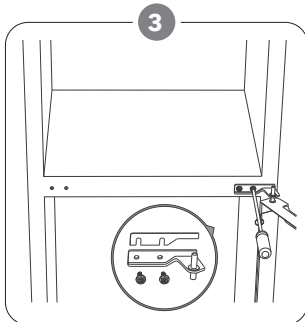
- Se till att apparaten är urkopplad och tom.
- För att ta bort dörren måste apparaten lutas bakåt. Apparaten ska placeras på ett stabilt underlag så att den inte glider när dörren vänds.
- Alla borttagna delar måste behållas för att dörren ska kunna installeras igen.
- Placera inte enheten horisontalt eftersom det kan skada kylsystemet.
- Det rekommenderas att två personer hanterar enheten under monteringen.



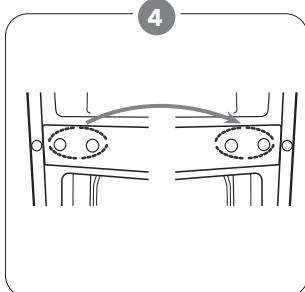
1  
Ta försiktigt bort det övre gångjärnsskyddet med en mejselskruvmejsel.



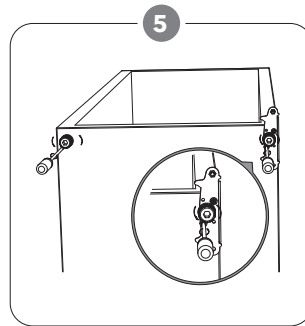
2  
Lossa övre gångjärnet med en Phillipsskruvmejsel.



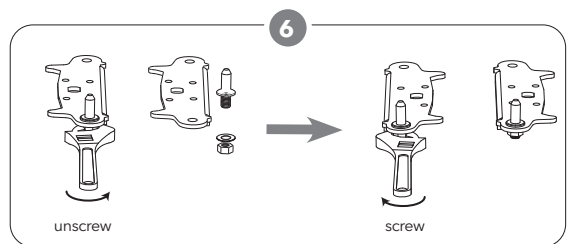
3  
Skruva loss det mellersta gångjärnet. Lyft sedan upp den nedre dörren och placera den på basen för att undvika repor.



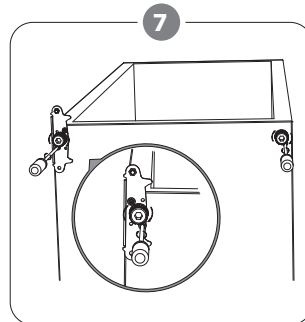
4  
Flytta skydden för gångjärnsöppningarna från vänster sida till höger sida.



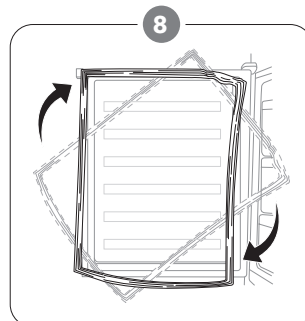
5  
Skruva loss nedre gångjärnet. Ta sedan bort de justerbara benen på båda sidorna.



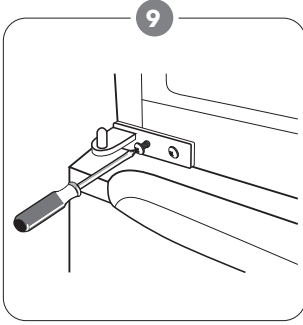
6  
Skruva loss det nedre gångjärnsstiftet, vänd runt fästet och sätt det tillbaka på plats.



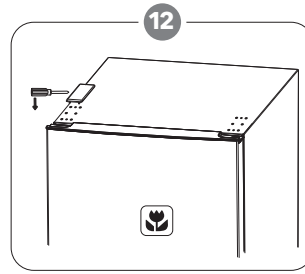
7  
Montera tillbaka fästet på den nedre gångjärnstappen. Sätt båda justerbara fötterna tillbaka på plats. Flytta den nedre dörren till rätt läge.



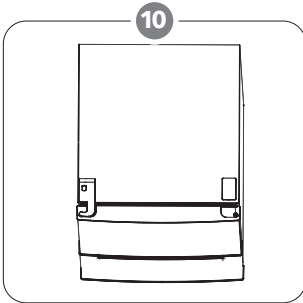
8  
Lossa dörrtätningarna från kylskåp och frys och fäst dem efter vändning.



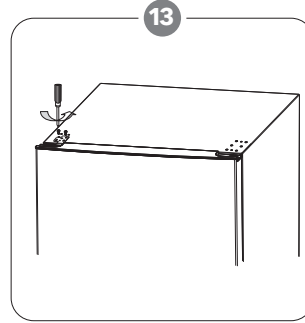
Vrid det mellersta gångjärmet 180° och flytta det sedan till vänster. Placera den mellersta gångjärnstappen i det övre hålet i den nedre dörren och dra åt bultarna.



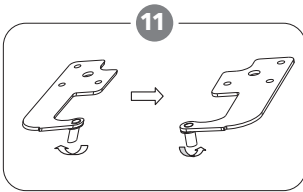
Lossa locket för gångjärmsöppningen.



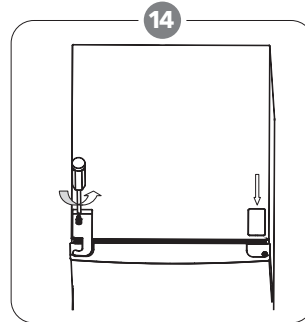
Sätt den övre dörren tillbaka på plats. Kontrollera att dörren är horisontellt och vertikalt riktad och att tätningarna är stängda på alla sidor innan du drar åt det övre gångjärnet. Sätt sedan gångjärnet på plats och skruva fast den i enhetens framsida.



Fäst gångjärnet till vänster.



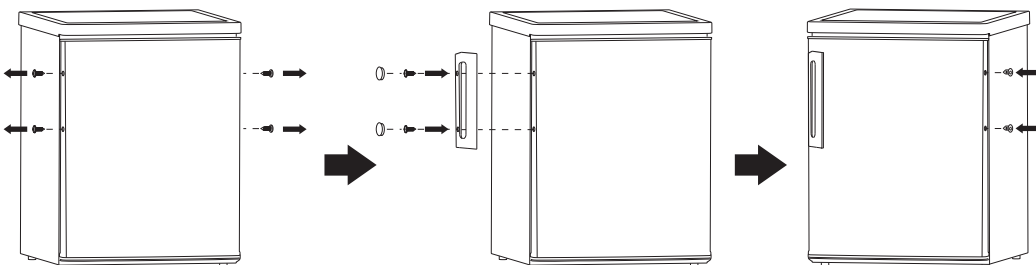
Skruva loss gångjärnstappen och vänd gångjärnet åt andra hållet och sätt sedan tillbaka gångjärnstappen.



Sätt fast gångjärnsskyddet till vänster och skyddet för gångjärmsöppningen till höger.

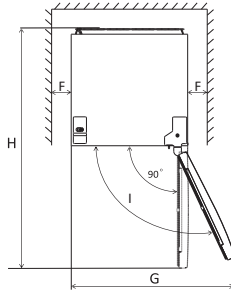
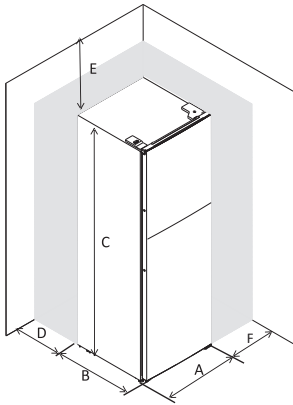
## INSTALLATION

Montera det yttre dörrhandtaget (om det finns).



## Krav på utrymme

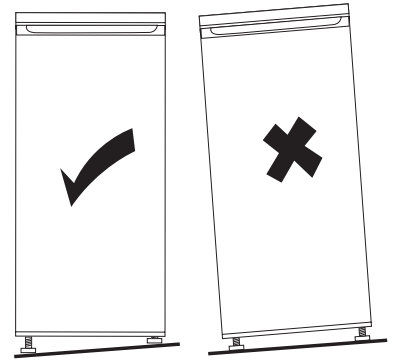
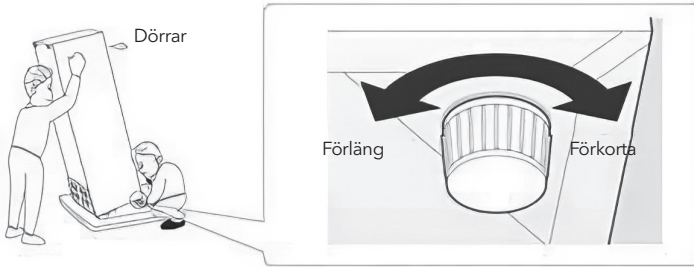
- Håll tillräckligt med utrymme för att kunna öppna dörrarna.



A	600
B	605
C	1858
D	min=50
E	min=50
F	min=50
G	1200
H	1205
I	135°

## Rätta ut enheten

Justera de två utjämningsfötterna på maskinens framsida för att göra detta. Om enheten inte är jämnt ställd kommer dörrarna och de magnetiska tätningarna inte att vara i linje med varandra.



## Placering

Installera apparaten på en plats där den omgivande temperaturen motsvarar den klimatklass som anges på apparatens namnplåt:

Klimatklass	Omgivande temperatur
SN	+10 °C - +32 °C
N	+16 °C - +32 °C
ST	+16 °C - +38 °C
T	+16 °C - +43 °C

avståndet mellan kylskåpets ovsida och väggelementet vara minst 50 mm. Helst bör apparaten dock inte placeras under utskjutande väggelement. En noggrann utjämning säkerställs genom en eller flera justerbara fötter i kylskåpets botten.

This refrigerating appliance is not intended to be used as a built-in appliance.

### ⚠ VARNING!

Det måste vara möjligt att koppla bort apparaten från elnätet, så kontakten måste vara lättillgänglig efter installationen.

## Plats

Apparaten måste installeras bort från värmekällor som värmeelement, beredare, direkt solljus etc. Se till att luften kan cirkulera fritt på baksidan av kylskåpet för optimal prestanda. Om apparaten placeras under ett utskjutande väggelement bör

## Elanslutning

Innan du ansluter enheten ska du kontrollera att den spänning och frekvens som anges på namnplåten motsvarar värdena för ditt eluttag. Apparaten måste anslutas till ett jordat uttag. Tillverkaren avstår från allt ansvar om ovanstående säkerhetsåtgärder inte följs. Den här apparaten uppfyller kraven i EEG-direktiven.

# DAGLIGT BRUK

## Första användningsgången

### Rengöring av inändömet

Innan du använder apparaten för första gången ska du tvätta de inre delarna och alla inre tillbehör med ljummet vatten och neutralt tvättmedel för att ta bort den typiska lukten från en helt ny produkt och torka noggrant.

**VIKTIGT!** Använd inte starka rengöringsmedel eller slippulver eftersom de skadar ytan.

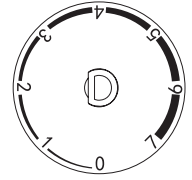
## Daily use

Placera livsmedlen i de olika facken enligt nedanstående tabell.

Kylskåpsavdelning	Livsmedelstyp
Hylla i kylskåpsdörren	<ul style="list-style-type: none"> <li>Livsmedel med naturliga konserveringsmedel, t.ex. sylt, saft, drycker och kryddor.</li> <li>Förvara inte lättförstörbara livsmedel.</li> </ul>
Lådan för grönsaker	<ul style="list-style-type: none"> <li>Frukt, örter och grönsaker ska placeras separat i grönsaksfacket.</li> <li>Förvara inte bananer, lök, potatis och vitlök i kylskåpet.</li> </ul>
Mellanhyllan i kylskåpet	<ul style="list-style-type: none"> <li>Mjölksprodukter, ägg.</li> </ul>
Kylskåpets översta hylla	<ul style="list-style-type: none"> <li>Livsmedel som inte behöver tillagas, t.ex. färdigrätter, charkuterier och rester.</li> </ul>
Hylla/låda i frysen	<ul style="list-style-type: none"> <li>Livsmedel som är avsedda för långtidsförvaring.</li> <li>Bottenlådan/hyllan för rått kött, fjäderfä och fisk.</li> <li>Mellersta lådan/hyllan för frysta grönsaker, pommes.</li> <li>Översta lådan/hyllan för glass, fryst frukt, frysta bakverk.</li> </ul>

## Temperaturinställning

- Anslut enheten till ett vägguttag. Temperaturen regleras av en termostat. Det finns 8 inställningsnivåer. 1 är den varmaste inställningen, 7 är den kallaste inställningen och 0 är avstängd.
- Det kan hända att apparaten inte har rätt temperatur om den står i en särskilt varm miljö eller om du ofta öppnar dörren.



## Temperaturinställning

Omgivande temperatur	Frysbox	Kylskåp
Sommar	/	<p>Inställning 2~4</p>
Normal	/	<p>Inställning 3</p>
Vinter	/	<p>Inställning 4~6</p>

## Påverkan på livsmedlens hållbarhet

- Med den rekommenderade inställningen är den bästa hållbarheten i kylskåpet 3 dagar eller mindre.
- Med den rekommenderade inställningen är den bästa hållbarheten i frysen 1 månad eller mindre.
- Den bästa lagringstiden kan vara kortare vid andra inställningar.

## Frysning av färska livsmedel

- Frysfacket är lämpligt för frysning av färska livsmedel och för långtidsförvaring av frysta livsmedel.
- Placera den färska maten som ska frysas i frysfacket.
- Den maximala mängden mat som kan frysas in på 24 timmar anges på namnplåten.
- Frysningen pågår i 24 timmar: under denna tid får inga andra livsmedel som ska frysas läggas till.

## Förvaring av frysta livsmedel

När apparaten sätts på för första gången eller efter att den inte har använts på en tid, låt apparaten köras i minst 2 timmar på en högre inställning innan du placerar mat i frysfacket.

**VIKTIGT!** Om avfrostning sker oavsiktligt, till exempel när strömmen har varit avstängd längre än det värde som anges i tabellen över tekniska egenskaper under "tid för upptining", måste den avfrostade maten konsumeras snabbt eller tillagas omedelbart och återfrysas (efter tillagning).

## Avfrostning

- Frysta livsmedel kan tinas upp i kylskåpet eller i rumstemperatur innan de används, beroende på hur lång tid det tar.
- Små bitar kan till och med tillagas frysta direkt från frysen. I så fall är tillagningstiden längre.

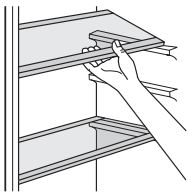
## Isbitar

Den här enheten kan utrustas med ett eller flera isfack för att producera is.

## Tilläggsutrustning

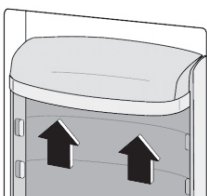
### Flyttbara hyllor

Kylskåpets väggar är utrustade med lister som gör att hyllorna kan placeras som önskat.



## Placering av dörrhyllor

Dörrhyllorna kan placeras på olika höjder för att rymma olika storlekar av livsmedelsförpackningar. Justeringarna görs på följande sätt: Dra gradvis in hyllan i pilarnas riktning tills den släpper, och placera sedan tillbaka den efter behov.



## Användbara tips

Här är några viktiga tips som hjälper dig att få ut maximal nytta av frysningsprocessen:

- Den maximala mängden mat som kan frysas in på 24 timmar anges på namnplåten.
- Frysningsprocessen pågår i 24 timmar. Under denna period får inga andra livsmedel som ska frysas läggas till.
- Frys endast in färska och noggrant rengjorda livsmedel av hög kvalitet.
- Livsmedlen måste tillagas i små portioner så att de kan frysas snabbt och fullständigt och endast den nödvändiga mängden kan tinas upp senare.
- Linda in maten i aluminiumfolie eller plast och se till att förpackningen är lufttät.
- Färska, ofrysna livsmedel bör inte komma i kontakt med livsmedel som redan har frysts, så att temperaturen inte stiger.
- Fettsnåla livsmedel håller sig bättre och längre än feta livsmedel; salt förkortar livsmedlens hållbarhet.
- Isbitar kan orsaka frostsador på huden omedelbart efter att de tagits ur frysen.
- Det är lämpligt att märka infrysningsdatumet på varje enskild förpackning så att hållbarheten kan kontrolleras.

## Tips för förvaring av frysta livsmedel

För att få ut det mesta av den här enheten bör du:

- Se till att kommersiellt frysta livsmedel förvaras på rätt sätt av detaljhandlaren.
- Se till att frysta livsmedel flyttas från butiken till frysen på kortast möjliga tid.
- Öppna inte dörren ofta och låt den inte vara öppen längre än nödvändigt.
- Den tinade maten blir snabbt dålig och kan inte frysas in igen.
- Överskrid inte den hållbarhetstid som anges av livsmedelstillverkaren.

## Tips för att förvara färsk mat

För bästa prestanda:

- Förvara inte varma livsmedel eller avdunstande vätskor i kylskåpet.
- Täck in maten, särskilt om den har en stark smak.
- Kött (alla sorters kött): lägg det i en plastpåse och placera på glashyllorna ovanför grönsakslådan. Förvara på detta sätt i upp till en eller två dagar, för säkerhets skull.
- Tillagad mat, kalla rätter etc.: Dessa ska vara täckta och kan placeras på vilken hylla som helst.
- Frukt och grönsaker: Rengör dem noga och lägg dem i lådan som är avsedd för dem.
- Smör och ost: Lägg dem i speciella lufttäta behållare eller slå in dem i aluminiumfolie eller plastpåsar för att få maximal lufttätethet.
- Mjölklaskor: Dessa måste vara försedda med lock och förvaras i dörrhyllor.
- Bananer, potatis, lök och vitlök får inte förvaras i kylskåp om de inte är förpackade.

## Rengöring

Av hygieniska skäl måste apparatens insida, inklusive de inre tillbehören, rengöras regelbundet.

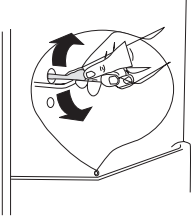
### ! VARNING!

Apparaten får inte vara ansluten till elnätet under rengöringen. Risk för elektrisk stöt! Före rengöring ska du stänga av apparaten och dra ut kontakten från elnätet eller stänga av brytaren eller säkringen. Rengör aldrig apparaten med en ångrengörare. Fukt kan ansamlas på elektriska delar, risk för elektrisk stöt! Varm ånga kan skada plastdelar. Apparaten måste vara torr innan den används igen.

**VIKTIGT!** Eteriska oljor och organiska lösningsmedel kan skada plastdelar, t.ex. citronjuice eller vätska från apelsinskal, smörsyra och rengöringsmedel som innehåller ättiksyra.

## Rengör utloppet

För att förhindra att smältvatten rinner in i kylskåpet ska du rengöra utloppet på baksidan av kylskåpet regelbundet. Rengör hålet med ett rengöringsverktyg enligt bilden.



- Använd inte slipande rengöringsmedel. Låt inte sådana ämnen komma i kontakt med delar av apparaten.
- Ta ut maten ur frysen. Förvara den på en sval plats, väl täckt.
- Stäng av apparaten och dra ut kontakten ur uttaget eller slå av strömbrytaren eller säkringen.
- Rengör apparaten och de inre delarna med en trasa och ljummet vatten. Efter rengöring, torka av med rent vatten och torka torr.
- När alla delar är torra, sätt apparaten i drift igen.

## Avfrostning av frysen

Frysacket täcks gradvis av frost. Detta måste avlägsnas. Använd aldrig vassa metallverktyg för att skrapa frost från förångaren, eftersom den kan skadas. När islagret blir mycket tjockt måste fullständig avfrostning utföras på följande sätt:

- Dra ut kontakten ur uttaget.
- Ta bort alla livsmedel, linda in dem i flera lager tidningspapper och lägg dem på en sval plats.
- Håll dörren öppen och placera en behållare under apparaten för att samla upp avfrostningsvattnet.
- När avfrostningen är klar ska du torka av insidan noggrant.
- Sätt tillbaka kontakten i uttaget för att få apparaten att fungera igen.

## Lampbyte

**! WARNING!**

Produkten är utrustad med en LED-lampa, kontakta kundtjänst om du vill byta ut den.



# FELSÖKNING

## ! VARNING!

Koppla bort enheten från eluttaget före felsökning. Endast en kvalificerad elektriker eller en specialist bör utföra felsökning som inte täcks av denna manual.

**VIKTIGT!** Under normal drift kan vissa ljud höras (kompressor, köldmediecirkulation).

Problem	Möjlig orsak	Lösning
Anordningen fungerar inte	Temperaturreglaget är inställt på "0".	Ställ in vredet på en annan inställning för att slå på enheten.
	Strömkontakten är inte ansluten eller är lös.	Sätt in nätkontakten i uttaget.
	Säkringens är trasig eller defekt.	Kontrollera säkringen, byt ut den vid behov.
	Uttaget är felaktigt.	Eventuella fel på uttaget måste repareras av en elektriker.
Maten är för varm	Temperaturen har inte ställts in korrekt.	Se avsnittet "Inställning av temperaturen".
	Dörren stod öppen länge.	Öppna dörren bara så länge som det är nödvändigt.
	En stor mängd varm mat har placerats i apparaten under de senaste 24 timmarna.	Ställ tillfälligt in temperaturkontrollen på en kallare inställning.
	Apparaten står nära en värmekälla.	Se avsnittet "Installationsplats".
Apparaten kyls ner för mycket	Temperaturinställningen är för låg.	Vrid tillfälligt temperaturreglaget till ett varmare läge.
Ovanliga ljud	Apparaten står inte stadigt.	Justera fötterna igen.
	Apparaten rör vid en vägg eller andra föremål.	Flytta enheten något.
	En del på baksidan av apparaten, t.ex. ett rör, vidrör en annan del av apparaten eller en vägg.	Om det är nödvändigt, böj försiktigt bort delen ur vägen.
Vatten på golvet	Utloppet är blockerat.	Se "Rengöring".
Sidopanelen är varm	Kondensatorn sitter inuti panelen.	Detta är normalt.

Om felet inträffar igen, kontakta ditt servicecenter.





TESLA

[tesla.info](http://tesla.info)

