

# EU Declaration of Conformity

## Manufacturer

**Name:** Shenzhen Hua Xin Information Technology Co.,Ltd.

**Address:** B101-B801, building 4, No.7 Industrial Area, Heshuikou Community, Matian Street, Guangming District, Shenzhen, China.

**Model No.:** RM-01 Rohson Mamba

**Description:** Robot Vacuum Cleaner

**Radio-related Software Version: Wi-Fi modular:** AW-NM288SM

We, Shenzhen Hua Xin Information Technology Co.,Ltd. declare under our sole responsibility that the product described above is in conformity with the relevant Union Harmonization Legislations:

**RE Directive: 2014/53/EU RoHS: 2015/863/EU**

The following harmonized standards and/or other relevant standards have been applied:

### 1. Health and Safety (Article 3.1(a) of the RE Directive)

■ EN62311:2008

### 2. Electromagnetic compatibility (Article 3.1(b) of the RE Directive 2014/30EU (EMCD))

■ EN 55014-1:2017/A11:2020

■ EN 55014-2:2015

### 3. Radio frequency spectrum usage (Article 3.2 of the RE Directive)

■ EN300 328V2.1.1(2016)

#### 4. RoHS Directive (EU) 2015/863

■ EN50581:2012

The object of the declaration described above is in conformity with the following relevant Union harmonization legislation(s):

Radio Equipment Directive (RED)	2014/53/EU	■
Low Voltage Directive (LVD)	2014/35/EU	■
Electromagnetic Compatibility (EMC)	2014/30/EU	■
Restriction of the use of certain hazardous substances (Rohs)	2015/863/EU	■

The recognized third-party organization Precise Testing & Certification (Guangdong) Co.,Ltd.

performed the conformity assessment according to Annex II of the RE Directive and issued the EU-type examination certificate (Ref. No.: PCT20120203102E-RF01 )

Signed for and on behalf of Shenzhen Hua Xin Information Technology Co.,Ltd.

**Signature: Lizzy**

**Name: Lizzy Zheng**

**Position: Sales manager**

**Date: 22/03/22**

**Place: shenzhen**



# *Rohnson*<sup>®</sup>



## **ROBOTIC VACUUM CLEANER Mamba RM-02**

**USER MANUAL**

Thanks you for buying a Rohnson robot vacuum cleaner with digital brushless motor ( BLDC)



Scan with your phone or QR code to find out more about your machine

# Wi-Fi Setup Instructions

# 1

Scan QR code of Figure 1 , then download and install "Rohnsen" appor Search for Rohnsen on the App Store or Android App platforms. Then, download and install it



Scan the QR code to download

Figure 1



Figure 2

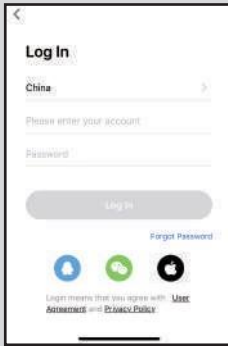


Figure 3

# 2

Open the Rohnsen app If you don't have an account, please register first, then click and log in.

# 3

After logging in, click the "+" sign in the upper right corner of the home page to add the device. Then on the device selection directly choose " Rohnsen Genius WiFi.

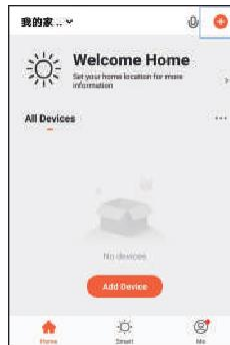


Figure 4



Figure 5

In order to improve the product, we reserve the right to update the app and software. The final interface is subject to the actual product, thank you.

# Wi-Fi Setup Instructions

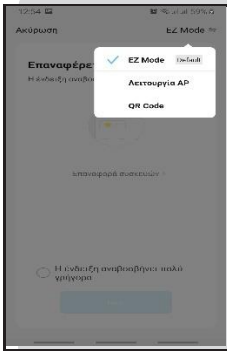


Figure 6



Figure 7

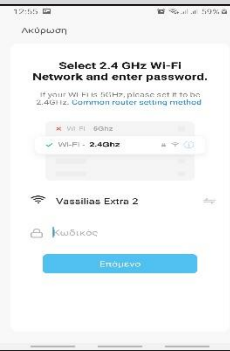


Figure 8

4

First choose the "AP Mode" on the right corner; Select the "Confirm indicator blink" , then click "Next" .

5

Then Click the "Go to Connect" ,And connect your mobile phone to the device's hotspot "SmartLife-xxxx" on the "WLAN" ,then return to the APP.



Figure 9



Figure 10



Figure 6



Figure 7

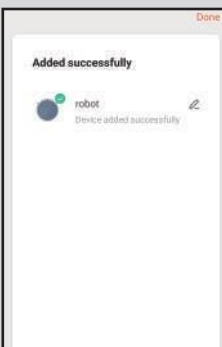


Figure 8

6

Waiting until wifi connected successfully

In order to improve the product, we reserve the right to update the app and software.

# Safety Instruction

---

Before using this product, please read the safety instructions below and follow all the routine safety precautions.

Please read the instructions carefully and keep them for future reference.

Any operation that does not conform to the instructions may cause damage to the product.

## Safety considerations of Main Body and Accessories

### **Warning**

01. Do not disassemble, repair or refit the product without authorization; otherwise it may damage the product or pose a hazard.
02. Do not use the product in an environment with risk of fire or explosion.
03. This product can only use the original power adapter; otherwise the product may be damaged or catch on fire.
04. Do not stand or sit on this product; doing so could damage the product or cause it to fall over.
05. When the metal part of the power plug is dusty, please wipe it with a dry cloth.
06. The power adapter is applied to a 100-240V AC voltage. Please plug into the socket properly and keep away from children.
07. Do not wash or soak the main body and electronic accessories in the water; otherwise the product may be damaged by a short circuit.
08. Do not damage, load weight on, heat, pull, or bend it.
09. During cleaning, please pay attention to the safety of toddlers and elders at home to avoid injury. (Please pay special attention to toddlers).
10. This product is for home use. Please do not use it outdoors.
11. Do not allow metal and conductive materials to come in contact with the battery; doing so may cause a short circuit.

### **Attentions**

01. Do not touch the product with wet hands; doing so may cause an electric shock.
02. Please do not place the product in places where it could easily fall, such as tables, chairs, high platforms in room, etc.
03. The product has a sophisticated design and should be protected from long-term exposure to sunlight.
04. Please do not use the product in humid environments, such as bath-rooms.
05. Please do not place the product near cigarette butts, lighters or other open fires.
06. Please clean the product after finishing charging.
07. Please turn off the power switch on the side of the robot when the product is out of service for a long time.

# Safety Instruction

---

08. Please check carefully to see if the power adapter is connected to the socket prior to use, to avoid damage to the robot.
09. Before using the product, please remove all vulnerable items on the floor, such as glass, lamps, and items such as wires and curtains that may entangle with the side brush and suction passages.
10. When the dust box is full, please empty it before using again.
11. Please do not use the robot to clean the construction waste.
12. Before the product is scrapped, please remove the battery from the robot. When you remove the battery, please ensure that the product is not connected to a power supply. Please recycle the battery safely for environmental protection.

## Safety Considerations for Rechargeable Battery

### ⚠ **Danger**

01. Always use a dedicated battery adapter to avoid leakage, heating or rupture.
02. Do not short-circuit the battery or remove the battery; doing so may cause leakage, heating or rupture.
03. Do not transport or preserve with necklaces, hairpins, and other metal objects; doing so may lead to short circuit, resulting in leakage, heating or rupture.
04. Do not burn or heat the battery; doing so may cause leakage, heating or rupture.

### ⚠ **Attention**

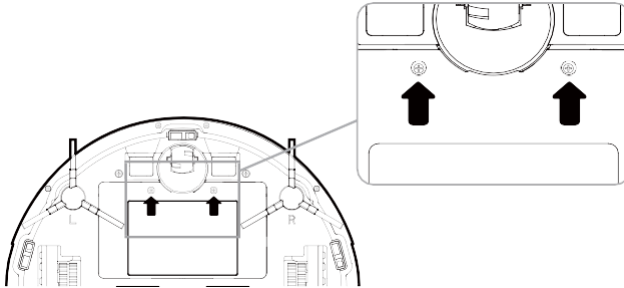
01. If abnormal overheating is discovered during charging, stop using it immediately to avoid leakage, heating or rupture.
02. To prolong the service life of the battery, please remove the battery and place it in a cool, dry environment if it is out of service for a long time; this will avoid leakage, heating or rupture.
03. Do not soak in water or let it come into contact with any liquid; otherwise it may cause leakage, heating and rupture.
04. Be sure to stop using it immediately in case of any exception (e.g. discoloration or deformation), to avoid leakage, heating and rupture.
05. Always use tape to insulate the battery's electrode when recycling or disposing of it.
06. If the battery leaks, wipe it clean with a dry cloth, recycle it in time, or discard it.
07. Put the recycled batteries in the recycling bins set up by the community, hotels, schools, large shopping malls, supermarkets, etc or the hazardous trash can collected by professional recycling agencies. Discarded product batteries must be removed and discarded in accordance with local laws and regulations.

# Safety Instruction

## **Warning**

01. When skin or clothing is exposed to the battery electrolyte, immediately wash with clean water to avoid inflammation of skin, etc.
02. Do not use the rechargeable battery on other devices. This battery is only suitable for this robot.
03. If the battery's outer box is found to be deformed and expanded, or leakage of electrolytes is found, do not charge or continue to use to avoid danger.
04. Do not throw or inflict a strong impact on the battery; doing so may cause leakage, heating and rupture.
05. Do not disassemble the battery pack; doing so may cause battery rupture and electrolyte outflow, leading to fire, explosion and other dangers.

## How to remove the battery

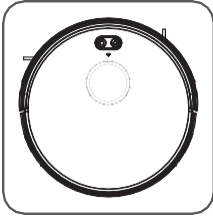


01. Take out two screws on the battery cover with a screw driver.
02. Take out the battery cover.
03. Take out the battery and unplug the electric wires to remove the battery.



# Product Components

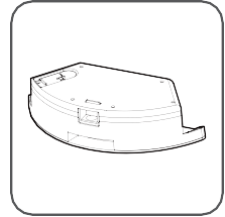
## 3.1 Name of Parts



Main Body



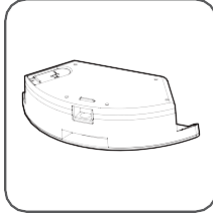
Dust Collector



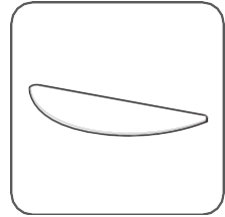
Dust bin



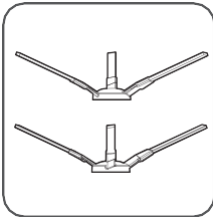
Remote Controller



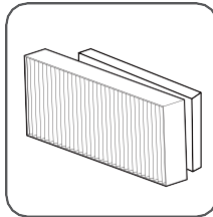
Water Tank Component



Mop



Side Brushes

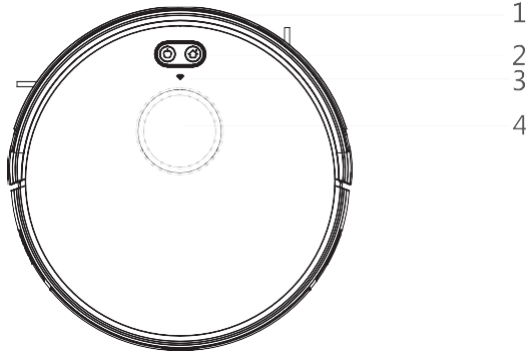


High-efficient HEPA 14 Filter

# Product Components

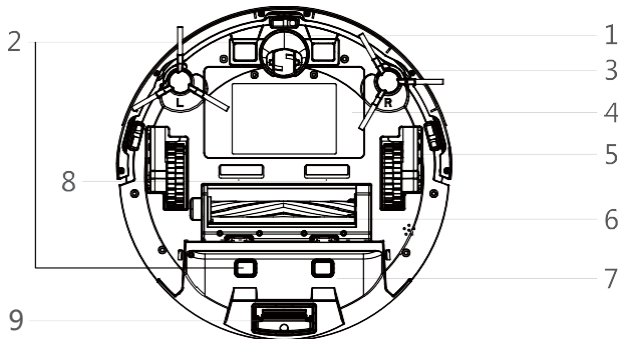
~~Accessories of some models may be slightly different and they are subject to the actual received products.~~

# Product Components



Main Body

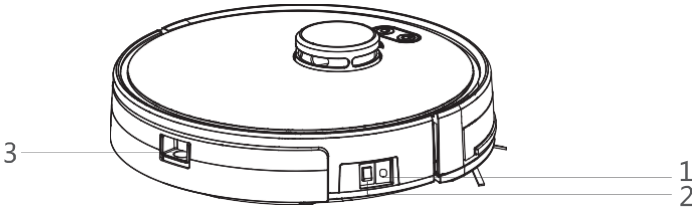
- 1.Bumper 2.Control Button 3.WIFI Indicator 4.Laser Components



Main Body

1. Universal Wheel 2. Electrode Slice 3. Side Brush 4. Battery Cover  
 5. Side Wheel 6. Suction Port 7. Dust box 8. The UVC lamp  
 9. Dust collection port

# Product Components

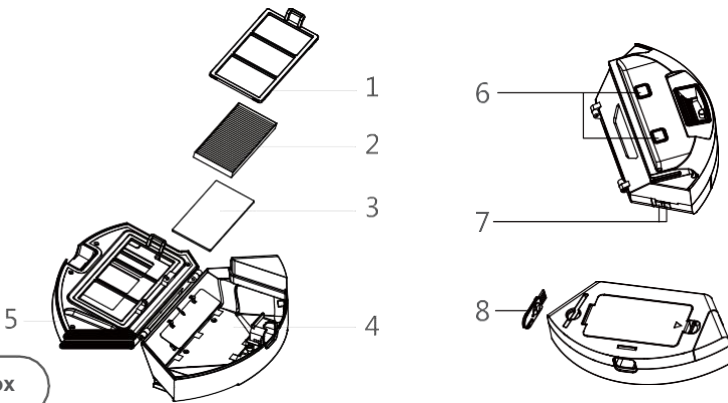


## Main Body

1.DC Power Jack

2.Power Switch

3.Dust box/Water tank release button



## Dust Box

1.Pre-filter

2.High-efficient filter

3.Filter sponge

4.Dust Box

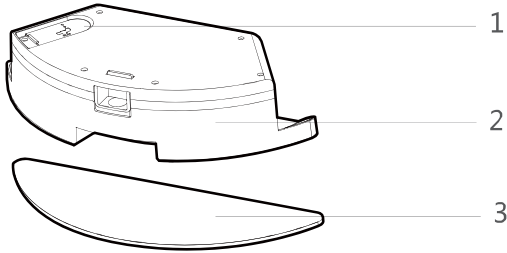
5.Dust box cover

6.Dust box contact sheet

7.Dust box conducting sheet

8.Cleaning Tool

# Product Components

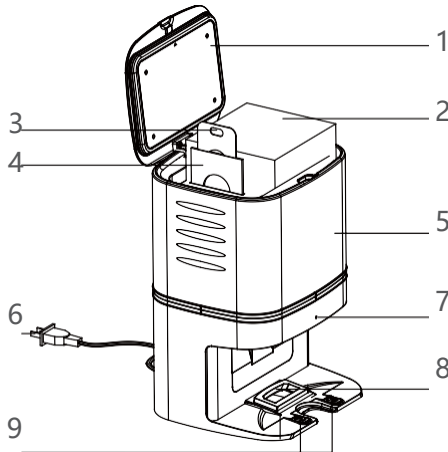


## Water Tank Component

1. Tank sealing cap

2. Water tank

3. Mop



## Charging base

1. Lid

2. Dust bag

3. Dust bag handle

4. Dust bag guide plate

5. Body

6. Power cord

7. Status indicator

8. Dust box suction port

9. Charging port

# Product Components

---

## 3.2 Product Specification

### Structure

Diameter of the main body	330mm
Thickness of the main body	101mm
Net weigh of the main body	3.1kg

### Electronic

Voltage	14.8V
Battery capacity	5200mAh
Main body button type	LED button

### Accessory

Water tank capacity	350ml
Dust box capacity	600ml
Cleaning cloth ( polyester cotton )	295X100X4mm

### Process Parameters

Charging Type	Manual/Automatic
Charging duration	300-360min

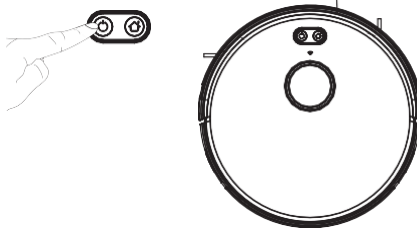
# Product Components

---

## 3.3 Product Characteristics

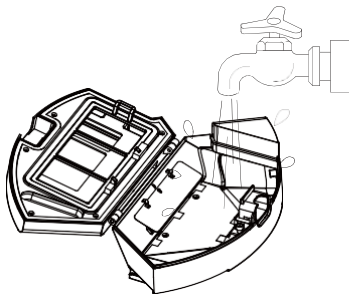
### Multiple smart cleaning modes

4 cleaning modes are designed to suit different needs, which can be switched by the remote controller and App, greatly improves the cleaning efficiency and saves 30% of the power.



### Humanized design

It is simple to operate, pressing the Control Button to start cleaning. Follow the Voice Prompt and let the robot start working for you.

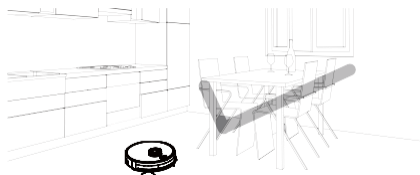
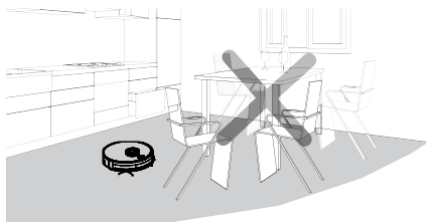


### Dust box can be washed with water

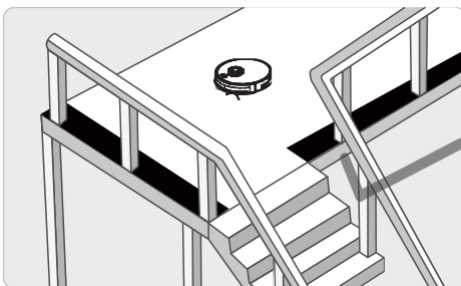
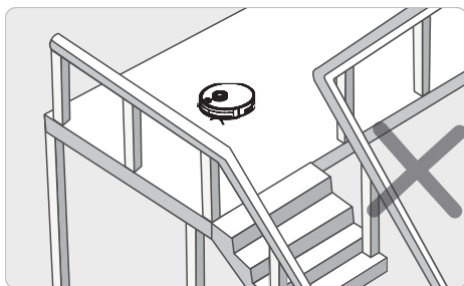
The dust box and the pre-filter can be directly flushed with water without too much labor, which can avoid secondary pollution caused by dust flying!

# Instructions for Use

## 4.1 Attention



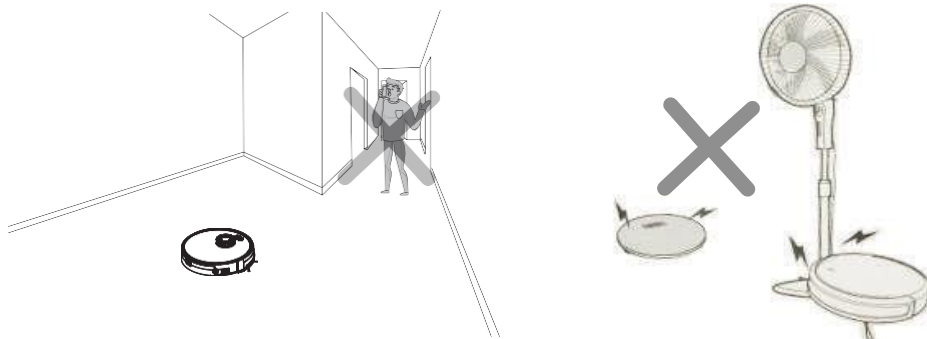
When it is working, please help to remove the unfriendly obstacles. Put the furniture and home appliances such as tables and chairs in the house neatly, the robot will clean up smoothly to give you a clean new home.



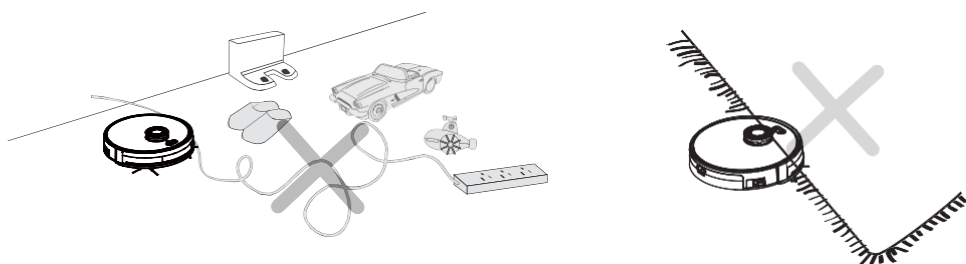
If the robot works at the stairway, the edge of the step, or the entrance to the narrow area among the furniture, etc, please place a fence to ensure it is safe and running smoothly.



## Instructions for Use



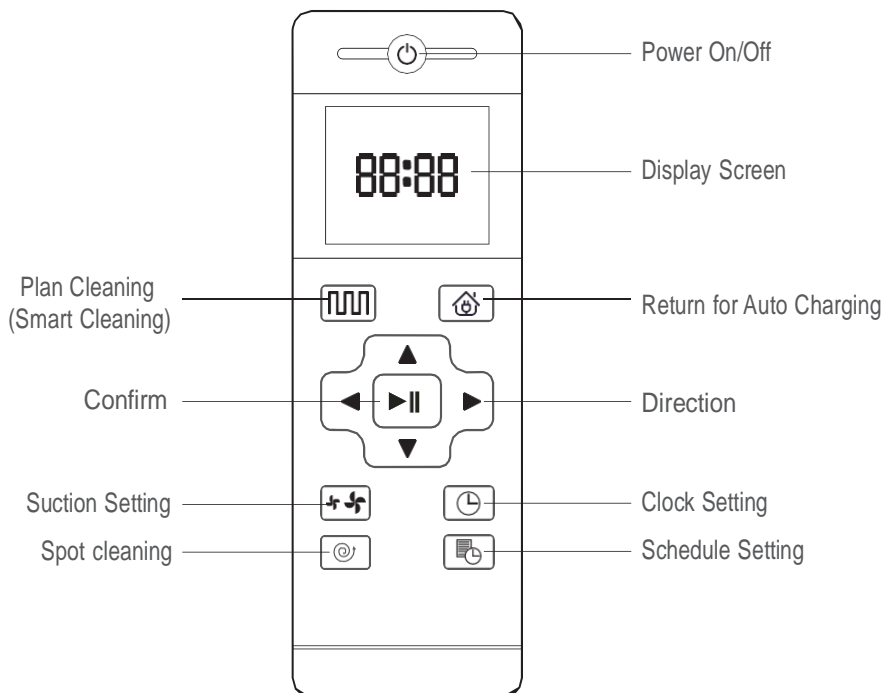
Please do not stand in narrow places such as thresholds and aisles to avoid missing sweeping. When the robot is working, please ensure that the object with the thickness less than 1.8 cm is not placed in the cleaning area to prevent the machine from climbing and jamming.



Please pay attention to remove sundries, such as the power cords, toys, etc, which are scattered on the ground may catch or entangle the Robot. Do not use the mopping function on the carpet! If there is a carpet in the house, please roll up the edge of the carpet in advance.

# Instructions for Use

## 4.2 Remote controller instruction



When the robot is in the vicinity of the charging base and the virtual protection wall, it may not be able to distinguish the instructions issued by the remote controller. If you do not use the remote controller for a long time, please take out the battery.

### Plan Cleaning button

No matter what mode the robot is in, this button will bring it to the plan cleaning mode.

### Return for Auto Charging

Pressing this button to shift the mode as recharging, and the logo will be displayed on the screen of the remote controller.

### Forward /+

At the standby mode, press this button to continue moving forwards, and release it to return to standby mode. At the Schedule setting mode, press this button to increase the number.

# Instructions for Use

---

## ▼ Back Button /-

Press this button and robot will rotate 180 degrees in situ.

In the modes of Schedule Setting and Clock Setting, press this button will decrease the number.

## ◀ Left Arrow

At the standby mode, press this button to continue turning left, and release it to return to standby mode. At the Schedule setting mode, press this button to switch from minute to hour.

## ▶ Right Arrow

At the standby mode, press this button to continue turning right, and release it to return to standby mode. At the Schedule setting mode, press this button to switch from hour to minute.

## ▶|| Confirm button

During operation, press this button to stop the robot, and it is still working at the pause.

In the Schedule setting mode or Clock setting mode, this button can save all settings.

## +↻ Suction Setting button

At any cleaning mode, press this button to adjust the suction power. There are Normal suction and Powerful Suction for your option.

## 🕒 Clock Setting button

Press this button to enter the Clock Setting mode and press the Confirm button to exit.

## 📅 Schedule Setting button

At the standby mode, press this button to enter the Schedule Setting mode, and the display flashes icon 📅. At the Schedule Setting mode, press this button to save the data and exit the Schedule Setting mode, and the display will always display the icon 📅. At the Schedule setting mode, press this button for 3S to cancel the Schedule Setting function, and the displayed icon 📅 will disappear.

🌀 Press this button to enter spot cleaning, the robot will have the voice indication and start to clean a specific spot of your home according to a spiral route:

Taking its current position as the center of the circle and cleaning counterclockwise, the radius gradually increases. After reaching the maximum radius of 1.5M, the robot will rotate 180 ° and gradually decrease the radius until returning to its original position.

While encountering obstacles during cleaning, the robot will rotate 180 °, then continue to clean in the opposite direction according to the spiral route.

Please note don't use this function in the corner of your home to avoid the robot being stuck. Or else the robot will have alarm when stuck in a corner, but it can only automatically stop cleaning after 2.6min.



Display preset time

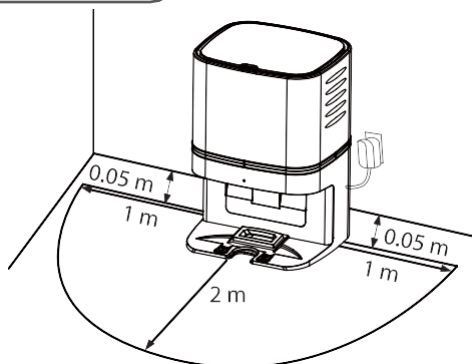


Display clock time

# Instructions for Use

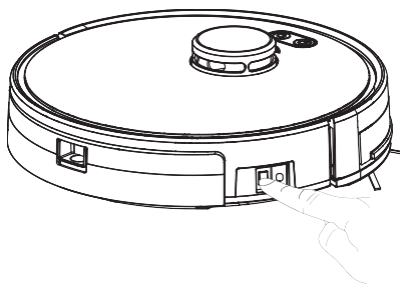
## 4.3 Operating Instructions

### Placement of the Charging Base



Lay Jichenbao flat, with a distance of 5cm from the back to the wall, no objects within 1M from left or right and 2M to front, and no objects with strong reflective surfaces such as mirrors.

Reminder: Please make sure the dust bag is installed properly in the first time.

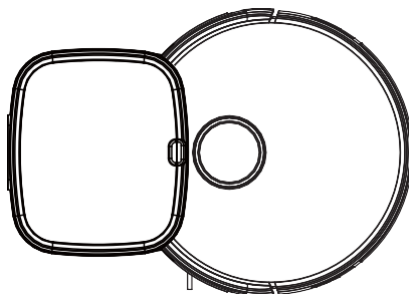


Switch on the robot, then the Control button will turn on the white light, and enter the Selected mode. If the Robot is not activated within 10 minutes, the robot will enter Sleep mode.

# Instructions for Use

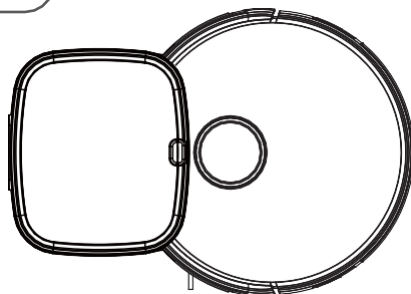
---

## Charging modes



Press Return for Auto charging button on the remote controller or Press Recharge icon on App to auto dock the Robot with the charging base.

## Automatic Recharge



This product conforms to European ERP energy consumption standard

When Cleaning is completed or the battery is too low, the robot will automatically start finding the charging base to charge itself.

Pls keep the charging base in power, otherwise the machine will not be able to find the charging base.

# Instructions for Use

---

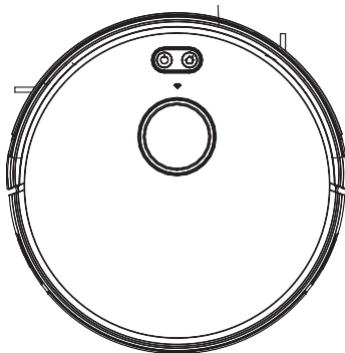
## **Charging instruction**

01. For the very first operation, please let the robot run out of power.
02. Please charge the robot for 12 hours for the first time of operation. When the charge is done, the Control button light turns off.
03. If the robot is out of service for a long time, please turn off the power switch.
04. Please charge the robot as soon as possible after the battery is used up.
05. The product can only use the power adapter and charger provided by the factory.
06. The battery should be repaired and replaced by the after-sales service center.

# Instructions for Use

---

## Switching Modes



### Power on

01. Make sure the power switch on the side of the robot is turned on.
02. Press the Control button “⏻” or the Cleaning mode on the remote controller to run the robot.

### Pause

The pause function is to switch the robot from the operating mode to the selected mode, and the robot can be paused by the following operations:

01. Press the “⏻” button on the robot to pause the robot.
02. Press the power on/off button on the remote controller to pause the robot.

Notice: After the machine is paused, the machine can be re-operated.

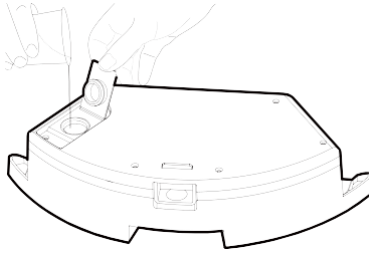
### Sleep

Sleep mode means that the robot is stopped and the indicator light is off. If the Robot is not active within 10 minutes, the robot will enter Sleep mode automatically.

Note: If the robot is out of service for a long time, please turn off the power switch.

# Instructions for Use

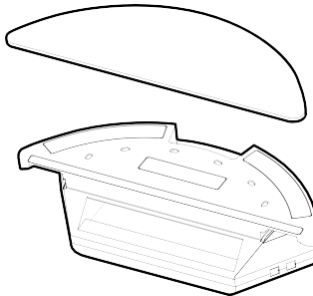
## Use of Water Tank



When charging, please remove the water tank to avoid danger

### How to add water

Open the tank sealing cap, fill it with enough water and slowly inject water



When charging, please remove the water tank to avoid danger

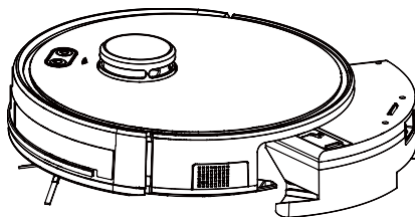
### How to fix the microfiber mop?

Seal the tank sealing cap, then fix the microfiber mop to the velcro on the bottom of the water tank



# Instructions for Use

---

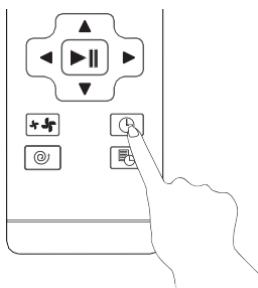


When charging, please remove the water tank to avoid danger

## How to install the water tank?

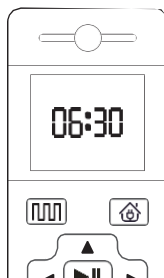
Press the release button on the dust box to remove it then install the water tank

## Schedule Cleaning



You can set the current local time on your robot by pressing the Clock Setting

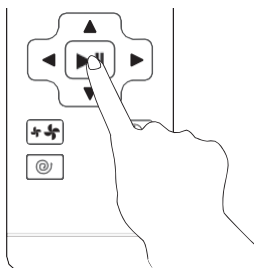
# Instructions for Use



☆ Once the power switch is turned off, all schedule will be canceled.

☆ Once the schedule setting is succeeded, the robot will start working at the scheduled time everyday

Press the "Schedule Setting" button to set the scheduled cleaning time for the robot. (e.g. Setting 6:30 am to the robot, the robot will start cleaning at 6:30am every day at the standby mode.)



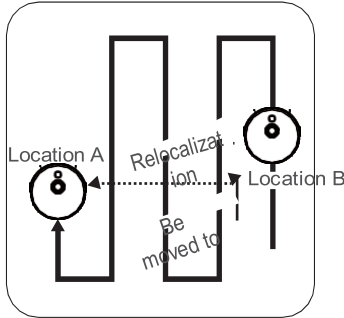
☆ At the Schedule Setting mode, follow the voice prompts to confirm all your operations.

1. Press the Schedule Setting button to enter the Schedule Setting mode and set the schedule on the remote controller or APP.
2. If you need cancel the schedule, just press the Schedule Setting button for 3 seconds.



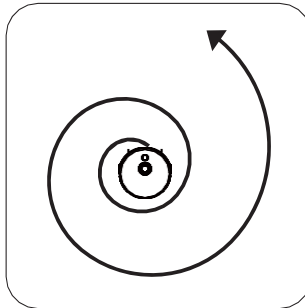
# Instructions for Use

## Relocation by LDS



In the process of cleaning, if you move the sweeper to a new place after suspension, and restart it, it seeks to relocate. If the relocation is successful, the sweeper continues to clean. If it fails, the previous cleaning map will be lost, it will restart a new cleaning.

## Spot cleaning

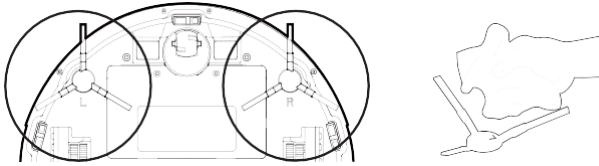


The robot will take its current position as the center and clean a specific spot of your home according to a spiral route.

# Product Maintenance

---

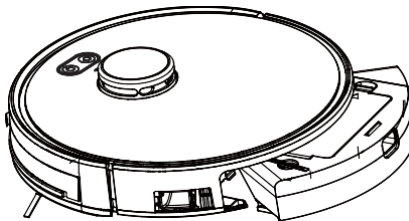
## 5.1 Side brush cleaning and replacement



Check the side brush condition from time to time to see if it has been damaged or wrapped with foreign objects. Clean the side brush with a cleaning tool or a rag.

When the side brush is damaged and cannot be used, please replace it in time, L and R side brush should be corresponding.

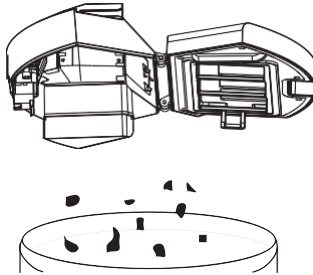
## 5.2 Dust box and filter cleaning



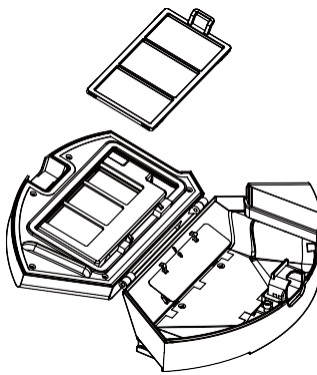
Press the dust box release button to remove the dust box

## Product Maintenance

---



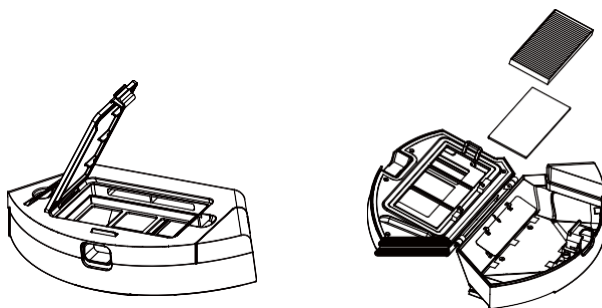
Open dust bin cover, and dump garbage



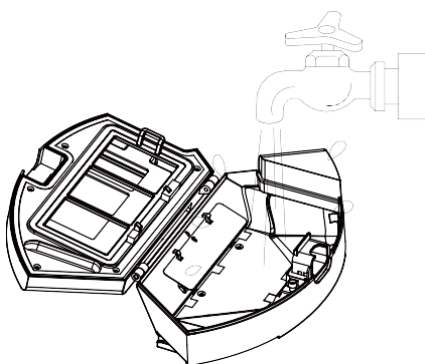
Remove the primary filter

## Product Maintenance

---



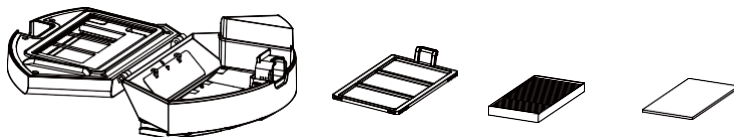
Open the high-efficient filter cover, and remove the high-efficient filter and filter sponge. It is not recommended to wash the high-efficient filter with water. Please put off the debris carefully.



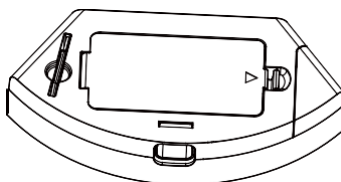
Wash the dust box and pre-filter.

## Product Maintenance

---



1. Dry the dust box and filter components. Keep them dry to ensure a longer service.
2. After the pre-filter is used for 15-30 days, it should be washed once.
3. The maximum service life of the high-efficient filter is 3 months.

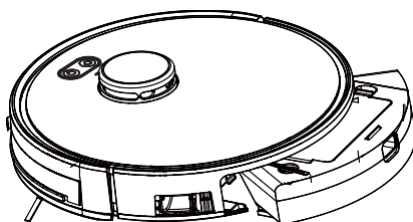


1. Reinstall the pre-filter and high-efficient filter in the dust box.
2. Before installing the filter, make sure that the high-efficient filter and the pre-filter are dry.
3. Do not expose the high-efficient filter and the pre-filter to sunlight.



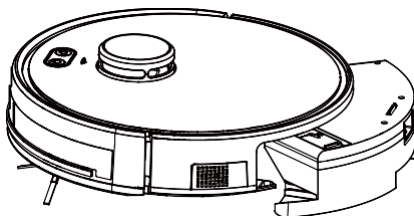
## Product Maintenance

---



Cover the dust box and fix it into the main body.

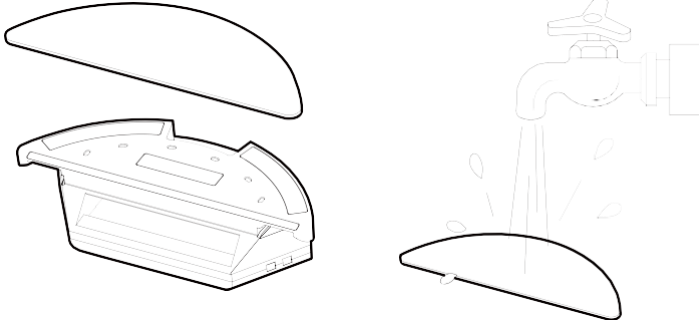
### 5.3 Maintenance of Water Tank



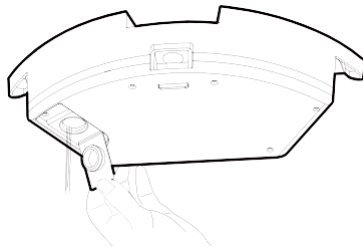
Press the release button to take out the water tank.

## Product Maintenance

---



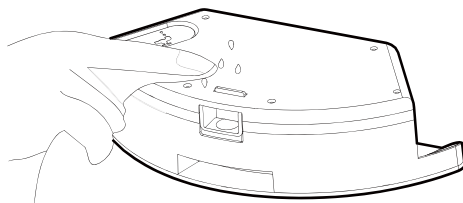
Remove the mop. Wash and dry th



Pour out the rest of water from the water tank

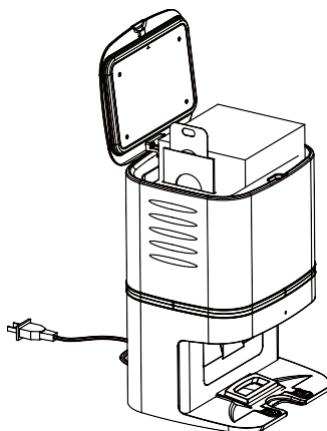
## Product Maintenance

---



Clean the water tank and dry

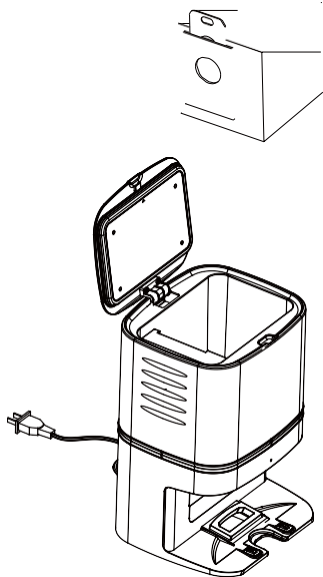
Place dust bag



Open the lid of Jichenbao, insert the dust bag guide plate into the dust bag card position of Jichenbao, The handle of the dust bag should be fully inserted into the dust bag guide plate, and the lid should be closed.

## Product Maintenance

### Replace dust bag



Open the lid of Jichenbao, pinch the handle of the dust bag and pull it upwards, causing the dust bag to separate from Jichenbao. Then follow the steps of placing the dust bag to replace a new bag.

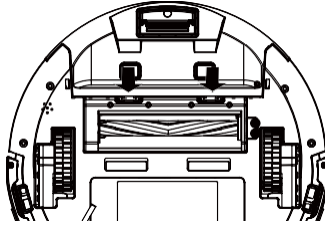
### Indicator light instruction

Fast flashing red light indicates that the dust bag is not installed properly.  
Slowly flashing red light indicates that the suction pipe is blocked, pls. check whether the handle of the dust bag is inserted in place.  
The steady white light indicates that the dust is collecting.  
The quick flashes of white light to indicate the completion of dust collection.  
Slow flashing white light indicates that Jichenbao is available or charging the robot.

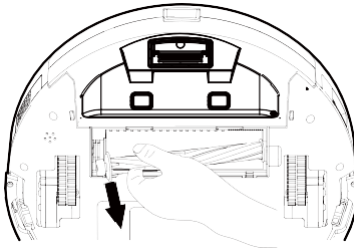
# Product Maintenance

---

## 5.4 Maintenance of Rolling Brush Components



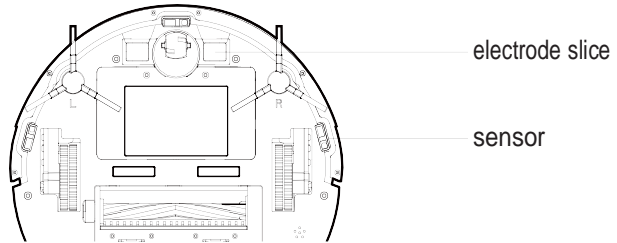
Open the rolling brush components



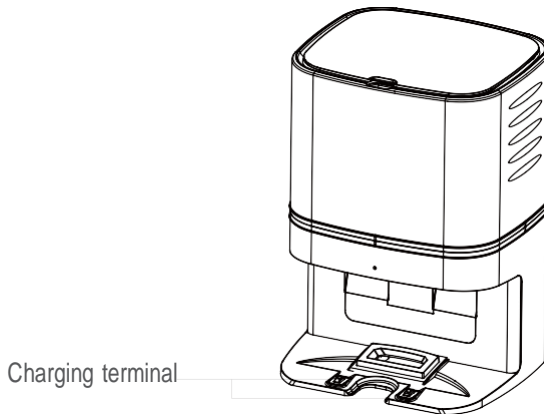
Remove the rolling brush and clean off all debris and hair.

# Product Maintenance

## 5.5 Maintenance of Other Components



Use the cleaning tools or a dry soft cloth to periodically clean the electrode slice of robot chassis and the sensor window.



Use a cleaning tool or soft cloth to clean the charging terminal

# Product Maintenance

---

34

# Common Faults

## 6.1 Faults Description

Faults	Possible Reasons	Solutions
The robot can not be charged.	The electrodes between the main body and the charging base are not contacted properly.	Make sure that the electrodes between the main body and the charging base are properly contacted.
	The charging base is switched off while the robot is switched on, which leads to the loss of power.	Keep charging the robot when it is not working to better prepare for next cleaning assignment.
The robot is stuck during work.	The robot may be stuck by wires/cables on the ground, hanging curtains or obstacles around the carpets.	The robot will try to get itself out automatically. However, please help it manually if it failed.
The robot goes back to recharge without finishing the cleaning work.	The robot detects that the power may be not enough and automatically goes back to recharge.	Charge the robot.
	The robot works at different speeds on different floor types. For example, it works longer on the wood floors than on carpets.	The length of working time varies because of the complexities of room environments, the amount of garbage and different cleaning modes.
The robot does not perform cleaning work automatically as scheduled	The robot is not switched on and the robot can not perform cleaning work as scheduled when it is powered off.	Turn on the robot.
	The power level of the robot is too low to work.	Keep charging the robot when it is not working to better prepare for next cleaning assignment.
	The robot is stuck or twined by obstacles.	Turn off the robot and clean the dust box. Then turn over the robot to clean its components, such as wheels and side brushes.
Remote control malfunctions (effective range is 5 m)	The remote controller is short of or out of power.	Change the batteries and install the batteries correctly.
	The robot is short of or out of power.	Make sure that the robot is switched on with enough power for operation..
	The infrared ray is blocked because the infrared emitter on the remote controller or the infrared receiver in the robot is contaminated.	Wipe the infrared emitter on the remote controller or the infrared receiver on the robot with a clean cotton cloth.
	Interference emitted by other devices that exist nearby.	Avoid using the remote controller near other infrared devices.
When the robot is working, there is a missed sweep, the route is chaotic, the deviation is reversed, and the APP side cleaning map shows irregularities and is not neat.	The drive wheel and the ground may slip due to the robot climbing small steps, thresholds and door bars, thus affecting the its judgment on the working environment of the whole house.	It is recommended to close the door in the area and clean the area separately. The robot has the function of self-identification single room. It will return to the starting.
	Work on a waxed, polished floor or smooth floortile, resulting in reduced friction between the drive wheel and the ground.	It is recommended that you clean the floor after the wax is air-dried.
	The wires, slippers, etc. placed on the ground affect the normal operation of the robot.	Before the machine is working, please arrange the scattered wires, slippers and other objects on the ground to minimize the scattered objects on the ground.



## Radio equipment

The frequency bands on which the radio is operating are 2.4 GHz and the maximum radiotelephone power is 20 dBm Max.

## WIFI Specification

Model: SUN-INTE-279

Standard: IEEE 802.11 b/g/n

Antenna Type: PCB antenna

Frequency WIFI: 2.4G

Maximum Transmitted Power: 20 dBm Max

Dimension: 18x23.5x3.1(mm)

Operation Temperature:-20°C~85°C

Operation Humidity: 10%~85%

Power input: DC 3V-3.6V

EN : SIMPLIFIED EU DECLARATION OF CONFORMITY Hereby, Shenzhen Hua Xin Information Technology Co., Ltd declares that the radio equipment type RM-02 is in compliance with Directive 2014/53/EU. The full text of the EU declaration of conformity is available at the following internet address: [www.rohnson.eu](http://www.rohnson.eu)

GR : ΑΠΛΟΥΣΤΕΥΜΕΝΗ ΔΗΛΩΣΗ ΣΥΜΜΟΡΦΩΣΗΣ ΕΕ

Με την παρούσα ο/η Shenzhen Hua Xin Information Technology Co., Ltd δηλώνει ότι ο ραδιοεξοπλισμός του RM-02 πληροί την οδηγία 2014/53/ΕΕ. Το πλήρες κείμενο της δήλωσης συμμόρφωσης ΕΕ διατίθεται στην ακόλουθη ιστοσελίδα στο διαδίκτυο: [www.rohnson.eu](http://www.rohnson.eu)

BG : КРАТКА ДЕКЛАРАЦИЯ ЗА СЪОТВЕТСТВИЕ

С настоящото, Shenzhen Hua Xin Information Technology Co., Ltd декларира, че радиосъоръжението тип RM-02 е в съответствие с Директива 2014/53 / ЕС.

Пълният текст на ЕС декларацията за съответствие е достъпен на следния интернет адрес: [www.rohnson.eu](http://www.rohnson.eu)

RO: DECLARATIE DE CONFORMITATE EU SIMPLIFICATA

Shenzhen Hua Xin Information Technology Co., Ltd declara ca echipamentele radio WI-Fi tip RM-02 sunt conforme cu directiva 2014/53/EU. Textul complet al declaratiei de conformitate este disponibil la urmatoarea adresa de internet: [www.rohnson.eu](http://www.rohnson.eu)

CZ: ZJEDNODUŠENÉ EU PROHLÁŠENÍ O SHODĚ

Shenzhen Hua Xin Information Technology Co., Ltd tímto prohlašuje, že rádiové zařízení typu RM-02 je v souladu se směrnicí 2014/53/EU. Úplné znění EU prohlášení o shodě je k dispozici na následující internetové adrese: [www.rohnson.eu](http://www.rohnson.eu)

SK: ZJEDNODUŠENÉ EÚ VYHLÁSENIE O ZHODE

Shenzhen Hua Xin Information Technology Co., Ltd týmto vyhlasuje, že rádiové zariadenie typu RM-02 je v súlade so smernicou 2014/53/EU. Úplné znenie EÚ vyhlásenia o zhode je k dispozícii na nasledujúcej

internetovej adrese: [www.rohnson.eu](http://www.rohnson.eu)