

# HKoenig

nv680

## Instruction Manual

Manuel d'instructions  
Bedienungsanleitung  
Gebruiksaanwijzing  
Manual de instrucciones  
Manuale d'uso  
Instrukcja obsługi



## Handheld steam cleaner

Nettoyeur vapeur à main

Handdampfreiniger

Handheld stoomreiniger

Limpiador de vapor de mano



# ENGLISH

Dear Customer:

Thank you for choosing to use our products. For your easy operation, please read the instructions carefully and follow the instructions on the below.

Due to product improvements, the products you received may not be exactly the same as the images on the instructions. we apologize for that.

Please keep the manual to the user's easy-to-access place. If you transfer or give this product to other persons, please be sure to attach this manual.

This user manual accompanies this handheld steam cleaner (hereafter referred to as the "steam cleaner"), and contains important information on setup and handling.

This particularly applies to the safety instructions. Failure to do so may result in personal injury or damage to the steam cleaner.

## Intended Use

. The device is intended to be used exclusively for steam-cleaning water-resistant and heat-resistant surfaces, for example bathroom fittings, mirrors, tiles, shower cubicles, and certain floor coverings. Ask a specialist whether your flooring is suitable for cleaning with the steam cleaner. Always test the cleaning at a small spot first.

. The device is not suitable for surfaces which are sensitive to heat or moisture, for example wallpaper, velvet, silk, glued objects, unsealed and/or waxed wooden surfaces, soft plastic, leather and cold glass (with outside temperatures of below 10°C).

. The device is not suitable for cleaning electronic equipment and fragile objects.

. The device is for personal use only and is not intended for commercial applications.

. Use the device only as described in the instructions. Any other use is deemed to be improper.

. The warranty does not cover faults caused by incorrect handling, damage, calcification or repair attempts. This also applies to normal wear and tear

# Safety Instructions

## Dangers of Injury

- This appliance may be used by persons with reduced physical, sensory or mental capabilities or lack of experience and knowledge provided they have received supervision or instruction in the safe use of the appliance and understand the hazards involved. Children should not play with the device.
- The appliance is not intended to be operated by an external timer or by a separate remote control system.
- The device should only be used and stored out of the reach of children and animals. Improper use can lead to scalding and electric shock.
- Keep children and animals away from the packaging film. There is a danger of suffocation!
- Never aim steam directly at people, animals or plants. This can cause severe scalding.
- Only hold the device by the handle when you are operating it. There is a danger of scalding!
- Never leave the device unattended when it is connected to the mains.
- Shortly after use, the attachment used may still be very hot. You should therefore wait for a few minutes until it has completely cooled down before you detach it.
- Danger of scalding! Always allow the device to cool down completely before you pour water in or out, clean the device and/or store it away. Never attempt to open the water reservoir during use. Always make sure that the water reservoir is firmly shut before you use the device.
- Make sure that the connected mains cable does not present a trip hazard.
- This appliance may be used by children of at least 8 years of age, as long as they are supervised and have been given instructions about using the appliance safely and are fully aware of the dangers involved.

- Cleaning and maintenance should not be carried out by children unless they are at least 8 years of age and are supervised by an adult.
- Keep the appliance and its power cord out of reach of children under 8 years of age.
- When using electrical equipment, safety precautions must always be taken to prevent the risk of fire, electric shock and/or injury in the event of misuse.
- Make sure that the voltage rating on the typeplate corresponds to your main voltage of your installation. If this is not the case, contact the dealer and do not connect the unit.
- Please keep this document at hand and give it to the future owner in case of transfer of your device.
- The device is not intended to be operated by external timer means or a remote control system.

Your appliance has been designed for domestic use only. It is not intended for use in the following situations which are not covered by the warranty:

- in staff kitchen areas in shops, offices and other professional environments,
- in farm hostels,
- by guests in hotels, motels and other residential environments,
- in bed and breakfast type environments.

## **Danger of Fire**

- Do not use the device in rooms containing easily ignitable dust or poisonous and explosive fumes.
- Do not insert anything into the openings of the device and make sure that these do not become clogged.

## **Danger of Electric Shock**

- The device should only be connected to a properly installed plug socket with safety contacts. The plug socket must also be readily accessible after connection. The mains voltage must match the technical data of the device. Only use suitable extension cables whose technical data is the same as that of the device.
- Do not operate this appliance if it has a damaged cord or plug, if it is not working properly or if it has been damaged or dropped. If the supply cord is damaged, it must be replaced by the manufacturer or its service agent or a similarly qualified person in order to avoid a hazard.
- This device must be earthed when connected. Use only the appropriate plug. Do not try to circumvent the earthing.
- Never immerse the device in water or other liquids! Ensure that the device, the cable or the plug do not fall into water or become wet. Should the device fall into water, switch off the power supply immediately. Only then should you remove it from the water.
- Never touch the device, the cable or the plug with wet hands to prevent electric shocks.
- The steam must not be aimed directly at electrical equipment, mains cables or parts containing electrical components (for example inside ovens, fridges, switches and lights, microwave ovens, screens).
- Pull out the mains plug after each use before you remove/ change an attachment, top up/empty the water reservoir or clean the device. Always pull the plug and never the cable.
- Use the device only in closed rooms.

- Always check the device for damage before putting it into operation. Use the device only when it is completely assembled and operational. The device must not be used if it has been dropped, if obvious signs of damage are visible or if it has leaks.
- In the event of damage/faults, switch the device off immediately.
- Never try to repair the device, the mains cable or the mains plug yourself or replace parts. If defects occur, the device may no longer be used. Get in touch with the nearest customer service centre/specialist dealer or, in the event of damage, please contact our customer service department. Incorrect repairs may cause considerable risks to the user.

### **Avoiding Damage to Material, Property and the Device**

- Position the cable in such a way that it does not become squashed or bent and does not come into contact with hot surfaces.
- Only switch on the device when the water reservoir is filled with water as otherwise the water pump may be damaged and the useful service life of the device may be shortened.
- Do not place any heavy objects on the device, the cable or the plug.
- Do not pull or carry the device by the cable.
- Do not use any other accessories. Use only original manufacturer's accessories.
- Never pour any cleaning agent or other chemical additives into the device. This could destroy the device and safe working is no longer guaranteed.
- Never cover up the steam outlet openings and do not stick any objects into them.
- Maintain a sufficient distance from heat sources such as hobs or ovens in order not to damage the device.
- Do not drop the device or allow it to be knocked violently.
- Do not expose the device or accessories to extreme

temperatures, wide temperature fluctuations, open fire, direct sunlight, and do not expose the device housing to any moisture or wet conditions.

- Always try cleaning first at a small, inconspicuous spot.
- Never direct the steam at one spot for too long.
- Never use the device on cold glass surfaces (at temperatures of below 10°C). The hot steam could cause the glass to shatter.
- In the case of surfaces treated with wax, the heat and steam may remove the wax!
- Do not use any caustic or abrasive cleaning agents (e.g. vinegar) or cleaning pads to clean the device.
- Put the device back into its storage position only once it has completely cooled down and there is no more water in the water reservoir.
- Store the device in a dry, clean place that is not accessible to children and animals.

### **Proper use**

The steam cleaner is only designed for removing dirt with water vapor. For example: it is suitable for cleaning the following areas: smooth surfaces (e.g. work areas, tiles, glazed tiles, windows or mirrors), hard-to-reach areas (e.g. corners, grouting, blinds, WC, fittings) and textiles (e.g. curtains, cushions, articles of clothing and car seats).

The steam cleaner is only intended for private use and is not suitable for commercial purposes. The steam cleaner is not intended for use outdoors or for use with liquids other than water.

Only use the steam cleaner as described in this user manual. Any other use is deemed improper and may result in damage to property or even personal injury.

The steam cleaner is not a children's toy.




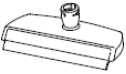








The manufacturer or vendor accepts no liability for damage caused by improper or incorrect use.

**Attention:**

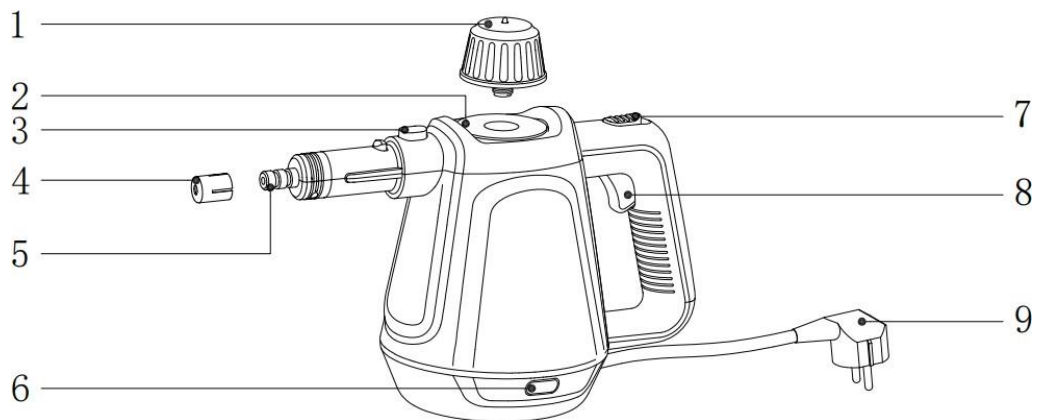
- Let the accessories used cool off first before you remove them.
- Do not use the steam cleaner if it has fallen down, if there are any apparent damages or if it is leaky.
- Keep the steam cleaner away from children if it is switched on or is cooling down.
- Wear gloves, protective goggles and respiratory protection when attempting to remove substances that are harmful to health.
- Do not point the steam jet at other persons or animals. Hot steam can cause serious injury!
- First check an inconspicuous area as to whether the material you intend to clean is suitable for cleaning with a steam cleaner e.g.:
  - Steam could cause lacquered wood or leather to fade.
  - Unprotected wood could swell up.
  - The steam could remove protective layers of wax.
  - Plastics could tint if exposed to steam.
  - Soft plastics could deform if exposed to steam.
  - Cold glass or mirror surfaces could burst if exposed to hot steam.
- If you would like to clean windows, you must first warm them up, e.g. by applying steam to a larger area at a greater distance and then from a closer distance.
- Acrylic, velvet and satin are sensitive to hot steam as are plastic fibers.
- Ensure that the mains cord does not come into contact with hot parts.
- Never expose the steam cleaner to high temperatures (heaters etc.) or to effects of the weather (rain etc.).
- Never fill the steam cleaner with liquids other than water.
- Never immerse the steam cleaner in water to clean it and do not use a steam cleaner to clean it. Otherwise, the steam cleaner could be damaged.
- Do not in any case place the steam cleaner or the individual parts in the dishwasher. It would be destroyed. Checking the steam cleaner and package contents 13
- Stop using the steam cleaner if its plastic parts exhibit cracks or breaks or are deformed. Only replace damaged parts with corresponding original spare parts.
- Do not operate the steam cleaner with an empty tank. Once the water reservoir has been used up, pull the mains plug to avoid overheating it.



**Main machine and accessories:**

<p>Funnel ×1</p>		<p>Measuring cup × 1</p>	
<p>Towel set ×1</p>		<p>Glass brush x 1</p>	
<p>Big nozzle x 1</p>		<p>Extension hose× 1</p>	
<p>Nylon brush x 1</p>		<p>Stainless brush x 1</p>	
<p>Floor brush x 1</p>		<p>Connection of floor brush X1</p>	
<p>Extension tube x 3</p>		<p>Floor brush towel x1</p>	

## Steam cleaner structure picture



No.	Name	Function
1	Safety cap	Maintain pressure balance & Lock the filling hole
2	Filling hole	Fill water inside
3	Attachment lock	Use for fastening various accessories connection, press it to remove the accessories
4	Protective cap	Protect the o-ring
5	Steam outlet	For steam output
6	Indicator light	Red means heating, green means biggest pressure
7	Children lock	Lock steam button/automatic steam release
8	steam trigger	Control steam after pressing in the working state
9	Power plug	Plug it into a socket to provide power to the machine

## Operation:

1. Put the steam cleaner on the platform and open the safety cap.
2. Use the measuring cup to fill the water. Maximum volume is 400ML. We suggest you only fill water 300-350ML to get the dry steam. If more than 350ml water, there may be some water in the steam at the first 2 minutes.



## Special attentions:

- \* please use clean water (small solid particles may block pipe or make machine failure)
- \* please do not pour any chemicals such as alcohol, cleaning agents into the steam cleaner. (some chemical solvents can easily cause machine failure, and even endanger the user's personal safety in serious cases)
- \*If the tap water in your area is very hard, it is recommended that you mix the tap water with distilled water. Otherwise, the steam cleaner could calcify prematurely and clog the steam nozzle.
- \*Please do not add water less than 150ml.

3. Close the safety cap anticlockwise.

4. Insert the mains plug into the socket, the red light will light up indicate heating.

As soon as the steam cleaner is operational, the green indicator light will on. The red indicator light will on/off during usage.

## Attention:

- Only use the product once the green indicator light

On at the first time. Otherwise, hot water that drips or sprays.

5. Turn the children lock to “on” position, then press the steam trigger. Steam will be released

directly. Remember you should always press the steam trigger. Once you released the steam trigger, the children lock will turn back to “OFF” position auto and steam stopped.

**Attention: Without pressing the children lock, there is no useful to steam trigger.**

If there is no more water in the water tank, no more steam will be emitted when you push the steam trigger .The water must be refilled as follows:

1. Pull the main plug out of the socket.
2. Push the steam trigger until no more steam is escaping.
3. Wait for cooling at least 12-18 minutes.
4. Slowly unscrew the safety cap and wait a few seconds
5. Slowly refill the water tank with water.
6. Close the safety cap again.

If the tap water in your area is very hard, it is recommended that you mix the tap water with distilled water. Otherwise, the steam cleaner could calcify prematurely and clog the steam nozzle.

6.After usage, please turn the power off, release all the residual steam and wait for the machine cooling down.

The steam cleaner has an overheat protection. It will automatically switch off if it overheats (e.g. when the water tank is empty).

#### **Instructions of accessories:**

Remark: Before adding each accessory on the unit, please take off the cap on the nozzle first. The function for this cap is prevent steam leakage by the loss of o-ring.

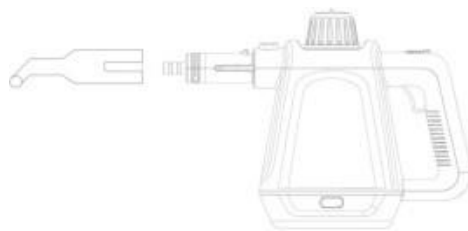
##### 1: Extension hose

If the steam cleaner is hard to reach the cleaning area, it can be used with an extension hose. The operation method is as follows: connect the end of the hose to the steam outlet until hearing a clicking sound .



## 2: Big nozzle

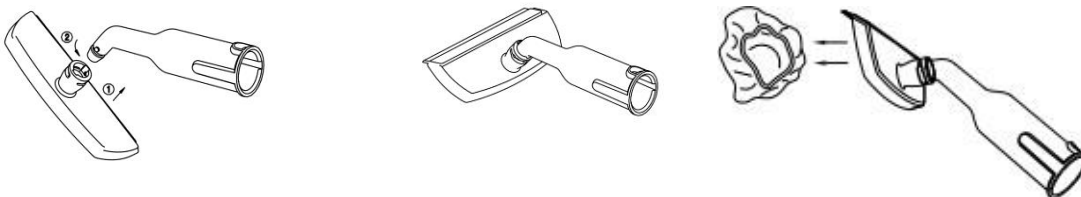
The big nozzle can be used to clean the corners easily by connecting with steam outlet like extension hose.



## 3: Glass brush

Insert the big nozzle into the notch of the glass brush (below picture 1), and turn it clockwise until it clicks (below picture. 2). After use, take out the glass brush by turn it anti-clockwise.

For cleaning desk and chair, bookcase, or ironing clothes, put a white towel into the glass brush.



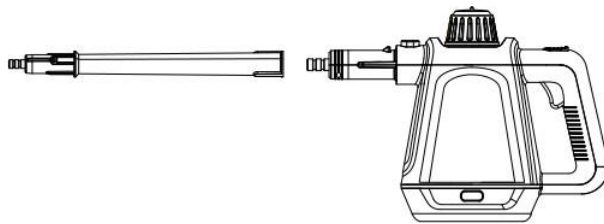
## 4: Nylon and stainless brush

Insert the big nozzle into the notch of the round brush (below picture 1), and turn it clockwise until it clicks (below picture. 2). After use, take out the round brush by turn it anti-clockwise.



## 5: Extension tube

If the steam cleaner is hard to reach some cleaning areas or is used to clean floor and glass in high place, it can be used with an extension tube. The operation method as follows: connect the end of the extension tube to the steam outlet until the fixed lock is fully buckled into the hole of the extension tube, and hear a sound of clicking means installation completed.



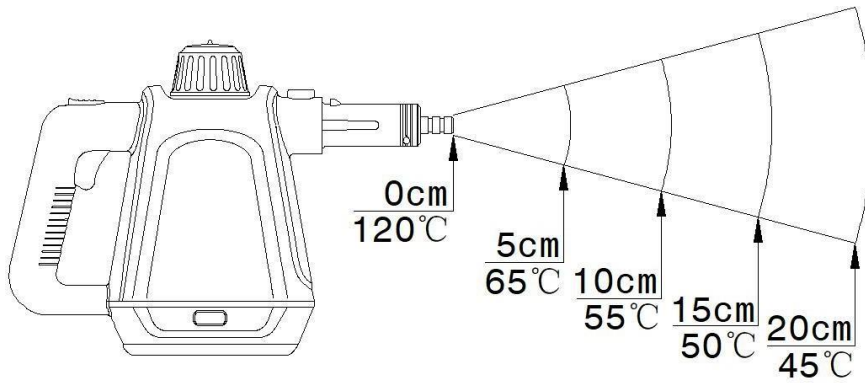
## 6: Floor brush (floor brush towel)

When cleaning the floor, connect two or three extension tubes together to the steam machine. The other end of the extension tube is installed with floor brush. The extension tube directly connect to the connector of floor brush, open the clips on the two side of the floor brush and fix the towel.



**Steam temperature:**

Below data is for users' reference, we can adjust the operation method in order to reach better cleaning performance.



Attention: The above data are measured by the laboratory, and there will be a little deviation in practice.

## Cleaning:

1. Before cleaning, pull the mains plug out of the socket.
2. Let the steam cleaner cool off completely.
3. Wipe the steam cleaner and the accessories off with a damp cloth. Then let all parts dry completely.

## Storage:

All parts must be completely dry before being stored.

- Always store the steam cleaner in a dry, clean and dust-free place.
- Store the steam cleaner under lock place so that it is not accessible for children.

## Common troubleshooting

Situation	Abnormal analysis	Solution
No spray steam	Plug not insert to the power socket tightly	Reinsert or change socket
	No water in the boiler	Add water
	Not press the steam button	Press on children lock
	Other problem	Ask professional service
Only green light is on,Red light is always off	Indicator light broken or short circuit of line	Ask professional service
Red light is always on,green light is off	Inner electric line is wrong or thermostat is broken	Ask professional service
Red light flicker	A lack of water or poor connect	The problem still exists after filling water,ask professional service
Water is flowing from the nozzle	There may some water in the steam for first usage or stopped for a while	Normal phenomenon Will disappear quickly
	Influence the normal use	Ask professional service
Others	Steam come out besides the nozzle	Ask professional service
	Plastic deformation and softening	
	Other electric equipment cannot be used	
	Steam come out from safety valve	
	After steam released,still cannot open the relief valve	

## WARRANTY

The warranty period for our products is 2 years, unless otherwise stated, starting from the date of initial purchase or the date of delivery.

If you have any problems or questions, you can easily access our help pages, troubleshooting tips, FAQ, and user manuals on our service site: <https://sav.hkoenig.com>.

By typing the reference name of your device in the search bar, you can access all available online support, designed to best meet your needs.

If you still cannot find an answer to your question or problem, then click on “Did the answer solve your problem?”. This will direct you to the Customer Support Request Form, which you can fill out to validate your request and get help.



## **WARRANTY CONDITIONS**

The warranty covers all failures occurring under normal use, in accordance with the usage and specifications in the user's manual.

This warranty does not apply to packaging or transportation problems during shipment of the product by the owner. It also does not include normal wear and tear of the product, nor maintenance or replacement of consumable parts.

## **EXCLUSION OF WARRANTY**

- Accessories and wearing parts (\*).
- Normal maintenance of the device.
- All breakdowns resulting from improper use (shocks, failure to comply with power supply recommendations, poor conditions of use, etc.), insufficient maintenance or misuse of the device, as well as the use of unsuitable accessories.
- Damage of external origin: fire, water damage, electrical surge, etc.
- Any equipment that has been disassembled, even partially, by persons other than those authorized to do so (notably the user).
- The products whose serial number would be missing, deteriorated or illegible that would not allow its identification.
- The products subjected to leasing, demonstration, or exhibition.

(\*) Some parts of your device, called wear parts or consumables, deteriorate with time and frequency of use of your device. This wear and tear are normal but can be accentuated by poor conditions of use or maintenance of your device. These parts are therefore not covered by the warranty.

The accessories supplied with the device are also excluded from the warranty. They cannot be exchanged or refunded. However, some accessories can be purchased directly through our website: <https://sav.hkoenig.com/>

## ENVIRONMENT

### CAUTION:



Do not dispose of this product as it has with other household products. There is a separation of this waste product into communities, you will need to inform your local authorities about the places where you can return this product. In fact, electrical and electronic products contain hazardous substances that have harmful effects on the environment or human health and should be recycled. The symbol here indicates that electrical and electronic equipment should be chosen carefully, a wheeled waste container is marked with a cross.

Adeva SAS / H.Koenig Europe - 8 rue Marc Seguin - 77290 Mitry Mory - France

[www.hkoenig.com](http://www.hkoenig.com) - [sav@hkoenig.com](mailto:sav@hkoenig.com) - [contact@hkoenig.com](mailto:contact@hkoenig.com) - Tél: +33 1 64 67 00 05

# **FRANÇAIS**

Chère cliente/cher client,

Merci d'avoir choisi notre produit ! Pour que son utilisation soit facile, veuillez lire attentivement ce manuel et respecter les instructions qu'il contient.

En raison des améliorations régulières que nous apportons à nos produits, celui que vous avez reçu peut ne pas être exactement le même que sur les schémas du mode d'emploi. Nous nous en excusons par avance.

Veuillez conserver ce manuel en lieu sûr, et si vous transférez ou donnez ce produit à une autre personne, veuillez-vous assurer de lui joindre le mode d'emploi.

Ce mode d'emploi accompagne ce nettoyeur vapeur portable (ci-après appelé nettoyeur vapeur) et contient des informations importantes sur les réglages et le maniement.

Ceci s'applique particulièrement aux consignes de sécurité. Le non-respect de ces consignes peut entraîner des blessures ou endommager l'appareil.

## **Usage prévu**

L'appareil est conçu pour fonctionner exclusivement sur des surfaces résistantes à l'eau et à la vapeur comme les éléments d'une salle de bain, les glaces, les carreaux, les cabines de douche et les revêtements de sol. Demandez à un spécialiste si votre revêtement est résistant à l'eau et à la vapeur. Pensez d'abord à faire un test sur une petite portion.

L'appareil n'est pas adapté aux surfaces qui sont sensibles à la chaleur ou à l'humidité comme par exemple le papier peint, le velours, la soie, les objets collés, les surfaces non-étanches et/ou celles en bois vernissées, les plastiques fragiles, le cuir et le verre exposé à des températures froides (en-dessous de 10°C).

L'appareil n'est pas adapté pour nettoyer des équipements électroniques et des objets fragiles.

L'appareil est conçu pour un usage domestique et non pour des emplois commerciaux.

Veuillez utiliser l'appareil comme indiqué dans les instructions. Tout autre emploi est considéré impropre.

La garantie ne couvre pas les dommages causés par un emploi incorrect, l'accumulation de tartre, les tentatives de réparation et aussi l'usure normale.

## **Instructions de sécurité**

### Risques de blessure

- Cet appareil peut être utilisé par des personnes ayant des capacités physiques, sensorielles ou mentales réduites ou un manque d'expérience et de connaissances à condition qu'elles aient reçu une supervision ou des instructions concernant l'utilisation de l'appareil en toute sécurité et qu'elles comprennent les dangers encourus. Les enfants ne doivent pas jouer avec l'appareil.
- L'appareil n'est pas destiné à être mis en fonctionnement au moyen d'une minuterie extérieure ou par un système de commande à distance séparé

- L'appareil doit être utilisé et rangé hors de portée des enfants.
- Gardez les enfants et les animaux à l'écart des emballages, car ils pourraient s'étouffer avec.
- Ne dirigez pas le jet de vapeur vers les personnes, les animaux et les plantes, car cela peut produire une brûlure sévère.
- Maniez toujours l'appareil par la poignée car il y a un risque de brûlure.
- Ne laissez pas l'appareil sans surveillance quand il est branché.
- Juste après l'emploi de l'appareil, les accessoires peuvent être très chauds, aussi est-il recommandé d'attendre quelques minutes avant de les démonter.
- Danger de brûlure ! Attendez toujours que l'appareil ait refroidi avant de le remplir à nouveau, de le nettoyer et/ou de le ranger. Ne tentez jamais d'ouvrir le réservoir d'eau quand vous utilisez l'appareil. Assurez-vous que le réservoir soit bien fermé avant d'utiliser l'appareil.
- Faites attention de ne pas trébucher contre le câble d'alimentation.
- Cet appareil peut être utilisé par des enfants âgés d'au moins 8 ans, à condition qu'ils bénéficient d'une surveillance ou qu'ils aient reçu des instructions quant à l'utilisation de l'appareil en toute sécurité et qu'ils comprennent bien les dangers encourus.
- Le nettoyage et l'entretien par l'utilisateur ne doivent pas être effectués par des enfants, à moins qu'ils ne soient âgés de plus de 8 ans et qu'ils soient sous la surveillance d'un adulte.

- Conserver l'appareil et son câble hors de portée des enfants âgés de moins 8 ans.
- Lors de l'utilisation d'appareils électriques, des précautions de sécurité doivent toujours être prises pour prévenir tout risque d'incendie, de choc électrique et/ou de blessure en cas de mauvaise utilisation.
- Vérifier que le voltage indiqué sur la plaque signalétique de l'appareil correspond bien à celui de votre installation électrique. Si ce n'est pas le cas, adressez-vous au revendeur et ne branchez pas l'appareil.
- Veuillez conserver ce document à disposition et le remettre au futur propriétaire en cas de cession de votre appareil.
- L'appareil n'est pas destiné à être actionnés par des moyens de minuterie externe ou un système de télécommande.
- Votre appareil a été conçu pour un usage domestique seulement. Elle n' a pas été conçue pour être utilisée dans les cas suivants qui ne sont pas couverts par la garantie :
  - dans des coins de cuisines réservés au personnel dans des magasins, bureaux et autres environnements professionnels,
  - dans des fermes auberges,
  - par les clients des hôtels, motels et autres environnements à caractère résidentiel,
  - dans des environnements de type chambres d'hôtes.

## **Risque d'incendie**

N'employez pas l'appareil dans des pièces contenant des

produits inflammables ou nocifs, ainsi que des gaz explosifs.

Ne bloquez pas les ouvertures de l'appareil et assurez-vous qu'elles soient toujours dégagées.

## **Risque d'électrocution**

- L'appareil doit être branché uniquement à une prise correctement installée et possédant des contacts de sécurité. La prise murale doit être facilement accessible. Le voltage de la prise doit correspondre à celui de l'appareil, de même pour les rallonges éventuelles.
- Cet appareil doit être relié à une prise de terre. Ne tentez pas de l'employer avec une prise simple.
- Ne mettez pas l'appareil dans l'eau ou tout autre liquide. Assurez-vous que l'appareil, le câble d'alimentation ou la prise ne tombe dans l'eau ou ne soit mouillé. S'il venait à tomber dans l'eau, débranchez-le immédiatement, puis enlevez-le.
- Ne touchez jamais l'appareil, le câble ou la prise si vos mains sont mouillées afin d'éviter une secousse électrique.
- Le jet de vapeur ne doit pas être orienté vers un dispositif électrique, le câble d'alimentation, des équipements contenant des composants électriques (l'intérieur d'un four, d'un réfrigérateur, les interrupteurs et les lampes, les fours à micro-onde et les écrans).
- Débranchez le câble après chaque emploi, avant de changer/enlever les accessoires, de remplir/vider le réservoir ou de nettoyer l'appareil. Tirez sur la prise et non pas sur le câble.

- Utilisez l'appareil uniquement dans des pièces fermées.
- Vérifiez toujours l'appareil avant de le mettre en marche. Allumez-le seulement quand il est entièrement monté et en état de marche. L'appareil ne doit pas être utilisé s'il est tombé, s'il a des traces de dommages ou s'il fuit.
- En cas de dégât ou de panne, débranchez-le immédiatement.
- N'essayez jamais de réparer l'appareil, le câble, la prise ou de remplacer des éléments par vous-même. S'il présente un défaut, ne l'employez plus. Contactez le technicien le plus proche de chez vous ou en cas de panne/dommage notre service technique. Une réparation incorrecte peut provoquer de grands risques pour l'utilisateur.
- N'utilisez pas l'appareil si son câble d'alimentation ou sa prise est endommagée, s'il ne fonctionne pas correctement, s'il a été abimé ou s'il est tombé. Si le câble d'alimentation est endommagé, il doit être remplacé par le fabricant ou son agent ou encore par une personne qualifiée afin d'éviter tout risque.

## **Comment éviter un accident**

- Positionner le câble de telle sorte qu'il ne soit pas écrasé ou plié et qu'il ne soit pas en contact avec des surfaces chaudes.
- N'allumez l'appareil que lorsque le réservoir d'eau est rempli, car sinon la pompe peut être endommagée et la durée de vie de l'appareil écourtée.
- Ne mettez pas d'objets lourds sur l'appareil, le câble ou la prise.



- Ne tirez/ transportez pas l'appareil par le câble.
- N'employez pas d'autres accessoires que ceux qui ont été prévus.
- Ne versez pas de produit de nettoyage ou d'additif chimique dans l'appareil. Cela peut l'endommager et son fonctionnement correct n'est plus garanti.
- Ne bouchez pas les sorties du jet de vapeur.
- Gardez une certaine distance avec les sources de chaleur comme les plaques de cuisson ou les fours afin de ne pas abîmer l'appareil.
- Évitez de donner un choc violent à l'appareil.
- N'exposez pas l'appareil et ses accessoires à des températures élevées ou à des écarts de température importants, au feu et au soleil direct ; ne laissez pas l'appareil sous la pluie ou dans des conditions humides.
- Faites toujours un essai d'abord dans un endroit discret. Ne vaporisez pas au même endroit trop longtemps.
- Ne vaporisez jamais des vitres froides (à une température inférieure à 10°C), car le jet de vapeur pourrait les faire éclater.
- Dans le cas de surfaces recouvertes de cire, la vapeur peut l'enlever.
- N'employez pas de produit de nettoyage caustique ou abrasif (ex. vinaigre), ni des lingettes.
- Remplacez l'appareil dans sa position de repos une fois qu'il a refroidi complètement et qu'il n'y a plus d'eau dans le réservoir.

- Rangez l'appareil dans un endroit sec et propre qui soit hors de portée des enfants et des Animaux.

## Utilisation

Le nettoyeur vapeur est uniquement conçu pour éliminer la saleté avec de la vapeur d'eau. Par exemple, il convient au nettoyage des zones suivantes : surfaces lisses (zones de travail, tuiles, carreaux émaillés, fenêtres ou miroirs), zones difficiles d'accès (recoins, joints, stores, WC, robinetterie) et textiles (rideaux, coussins, vêtements et sièges-auto).

Le nettoyeur vapeur est uniquement destiné à un usage domestique et non commercial. Il n'est pas conçu pour être utilisé à l'extérieur ou avec d'autres liquides que l'eau.

N'utilisez le nettoyeur vapeur que de la manière indiquée dans ce mode d'emploi. Toute autre utilisation est considérée inappropriée et peut entraîner des dommages matériels ou même des blessures.

Le nettoyeur vapeur n'est pas un jouet pour les enfants.



Le fabricant décline toute responsabilité pour les dommages causés par une utilisation incorrecte de l'appareil.

## Avertissement :

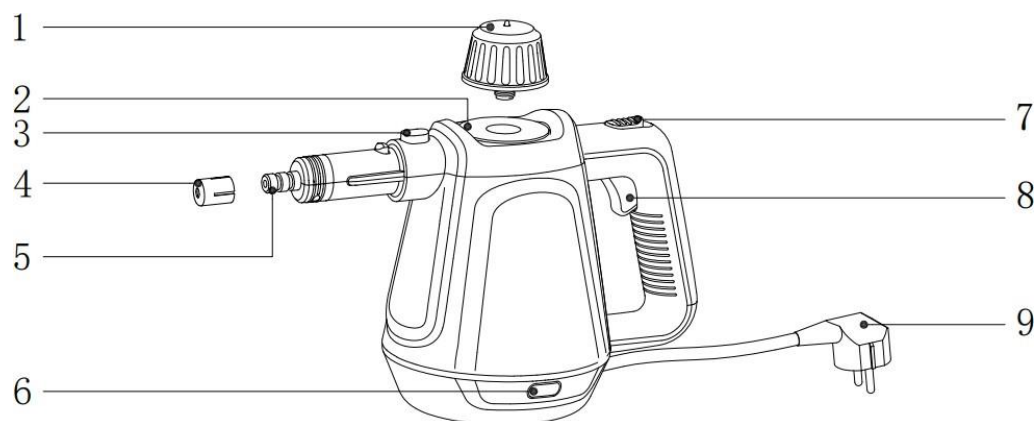
- Laissez refroidir les accessoires utilisés avant de les retirer.
- N'utilisez pas le nettoyeur vapeur s'il est tombé, s'il présente des dégâts ou s'il fuit.
- Conservez le nettoyeur vapeur hors de portée des enfants s'il est allumé ou en train de refroidir.
- Porter des gants, des lunettes de protection et un masque si vous tentez d'éliminer des substances nocives.
- Ne dirigez pas le jet de vapeur vers d'autres personnes ou des animaux. La vapeur brûlante peut provoquer des blessures graves!
- Faites d'abord un essai sur une zone peu visible pour savoir si le matériau que vous souhaitez nettoyer résiste à la vapeur :
  - La vapeur pourrait décolorer le bois vernis ou le cuir.
  - Le bois non enduit pourrait gonfler.
  - La vapeur pourrait enlever les couches protectrices de cire.
  - Les plastiques peuvent se teinter s'ils sont exposés à la vapeur.
  - Les plastiques souples peuvent se déformer s'ils sont exposés à la vapeur.
  - Les surfaces de verre ou de miroir froides peuvent éclater si elles sont exposées à la vapeur.
- Si vous souhaitez nettoyer les vitres, vous devez d'abord les réchauffer en appliquant de la vapeur sur une plus grande surface et à une plus grande distance, et ensuite vous rapprocher.

- L'acrylique, le velours et le satin sont sensibles à la vapeur chaude tout comme le plastique.
- Assurez-vous que le cordon d'alimentation n'entre pas en contact avec des parties chaudes.
- N'exposez jamais le nettoyeur vapeur à des températures élevées comme près d'un radiateur ou aux intempéries.
- Ne remplissez jamais le nettoyeur vapeur avec des liquides autres que de l'eau.
- Ne plongez jamais le nettoyeur vapeur dans l'eau pour le nettoyer et n'utilisez pas de nettoyeur vapeur pour le nettoyer. Sinon, l'appareil pourrait être endommagé.
- Ne placez en aucun cas le nettoyeur vapeur ou ses accessoires dans le lave-vaisselle. Ils seraient détruits.
- Vérifiez le nettoyeur vapeur et le contenu de l'emballage
- Arrêtez d'utiliser le nettoyeur vapeur si ses pièces en plastique sont fissurées, cassées ou déformées. Ne remplacez les éléments endommagés que par des pièces de rechange d'origine.
- N'utilisez pas le nettoyeur vapeur avec un réservoir vide. Une fois que le réservoir d'eau est vide, débranchez l'appareil pour éviter une surchauffe.

**Description de l'appareil et accessoires :**

Entonnoir		Tasse à mesurer	
Ensemble de serviettes		Brosse pour le verre	
Grande buse		Rallonge de tuyau	
Brosse en nylon		Brosse en inox	
Brosse pour le sol		Raccord de la brosse	
3 tubes pour rallonge		Serviette brosse pour le sol	

## Schéma du nettoyeur vapeur



No.	Nom	Fonction
1	Capuchon de sécurité	Conserve la pression & ferme l'orifice de remplissage
2	Orifice de remplissage	Permet de remplir le réservoir d'eau
3	Verrou de fixation	Sert à fixer divers accessoires de branchement. Appuyer dessus pour retirer les accessoires
4	Capuchon de protection	Protège le joint torique
5	Buse	Permet la projection de vapeur
6	Voyant lumineux	Le rouge indique le chauffage, le vert une plus grande pression
7	Verrou de sécurité	Verrouille la vapeur / libération automatique de la vapeur
8	Gâchette	Contrôle le jet de vapeur après avoir allumé l'appareil
9	Fiche électrique	Permet le fonctionnement de l'appareil

## Fonctionnement :

- Placez le nettoyeur vapeur sur une surface plane et dévissez le capuchon de sécurité.
- Utilisez la tasse à mesurer pour remplir le réservoir d'eau. Le volume maximum est de 400 ml. Nous vous suggérons de ne verser que 300-350 ml d'eau pour obtenir de la vapeur sèche. S'il y a plus de 350 ml, il peut y avoir de l'eau dans la vapeur au cours des 2 premières minutes.



## Recommandations :

- \* Veuillez utiliser de l'eau propre (de petites particules solides peuvent boucher le tuyau ou provoquer une panne).
- \* Veuillez ne pas verser de produits chimiques tels que de l'alcool ou des produits de nettoyage dans l'appareil. Certains solvants chimiques peuvent facilement provoquer une panne de l'appareil et même mettre en danger la sécurité de l'utilisateur dans les cas graves.
- \* Si l'eau du robinet dans votre région est très dure, il est recommandé de la mélanger avec de l'eau distillée. Sinon, le nettoyeur vapeur pourrait s'entartre prématurément et obstruer la buse.
- \* Veuillez ajouter au moins 150 ml d'eau dans le réservoir.

3. Visser le capuchon de sécurité.

4. Insérer la fiche du câble d'alimentation dans la prise murale : le voyant rouge s'allume pour indiquer que le chauffage est en marche.

Dès que le nettoyeur vapeur est opérationnel, le voyant lumineux vert s'allume. Le voyant rouge clignote pendant l'utilisation.

## Attention :

- N'utilisez l'appareil que lorsque le voyant est vert. Sinon, de l'eau chaude peut goutter ou être projetée.

5. Mettez le verrou de sécurité sur ON, puis appuyez sur la gâchette pour projeter la vapeur. N'oubliez pas que vous devez toujours appuyer sur la gâchette. Une fois que vous la relâchez, le verrou de sécurité reviendra en position OFF automatiquement et le jet de vapeur s'arrêtera.

**Attention : Si vous n'appuyez pas sur le verrou de sécurité, vous ne pourrez pas projeter de vapeur.**

S'il n'y a plus d'eau dans le réservoir, vous n'aurez plus de vapeur lorsque vous appuyez sur la gâchette. Le remplissage du réservoir doit être fait comme suit :

1. Retirer la fiche de la prise murale.
2. Appuyer sur la gâchette jusqu'à ce qu'il n'y ait plus de vapeur.
3. Attendre au moins 12 à 18 minutes que l'appareil refroidisse.
4. Dévisser lentement le capuchon de sécurité et attendre quelques secondes.
5. Remplir lentement le réservoir avec de l'eau.
6. Revisser le capuchon de sécurité.
7. Après utilisation, veuillez éteindre l'appareil, libérer toute la vapeur résiduelle et attendre que l'appareil refroidisse.

Le nettoyeur vapeur dispose d'une protection contre la surchauffe. Il s'éteindra automatiquement en cas de surchauffe (par exemple lorsque le réservoir d'eau est vide).

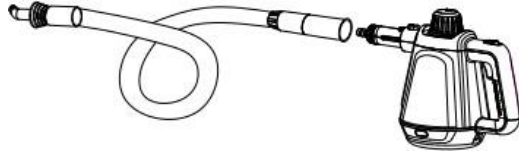
#### **Accessoires:**

**Remarque :** Avant d'ajouter chaque accessoire sur l'appareil, veuillez d'abord enlever le bouchon sur la buse. La fonction de ce capuchon est d'empêcher la fuite de vapeur par la perte du joint torique.



### 1. Rallonge de tuyau :

S'il est difficile d'atteindre la zone à nettoyer, vous pouvez utiliser une rallonge en enfonçant l'extrémité du tuyau dans la buse jusqu'à entendre un déclic.



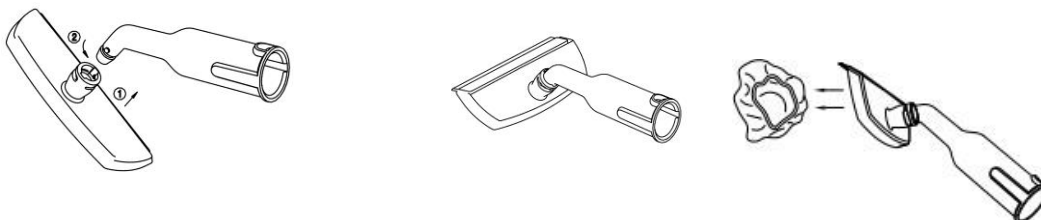
### 2. Grande buse

La grande buse peut être utilisée pour nettoyer facilement les recoins en la fixant sur la buse.



### 3. Brosse pour le verre

Insérez la grande buse dans l'embout de la brosse pour le verre (figure 1 ci-dessous) et tournez-la dans le sens des aiguilles d'une montre jusqu'à ce qu'elle s'enclenche (figure 2 ci-dessous). Après utilisation, retirez la brosse en la tournant dans le sens inverse des aiguilles d'une montre. Pour nettoyer les meubles ou repasser du linge, placez une serviette blanche sur la brosse pour le verre.





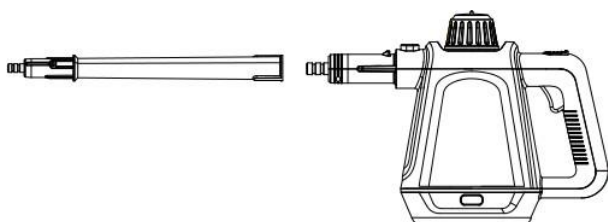
#### 4. Brosses en nylon et en inox

Insérez la grande buse dans l'embout de la brosse (figure 1 ci-dessous) et tournez-la dans le sens des aiguilles d'une montre jusqu'à ce qu'elle s'enclenche (figure 2 ci-dessous). Après utilisation, retirez la brosse en la tournant dans le sens inverse des aiguilles d'une montre.



#### 5. Tubes pour rallonge

S'il est difficile d'atteindre certaines zones à nettoyer ou s'il vous faut nettoyer le sol ou des objets en hauteur, vous pouvez utiliser des tubes pour rallonger la buse. Dans ce cas, enfoncez l'extrémité du tube dans la buse jusqu'à entendre un déclic.



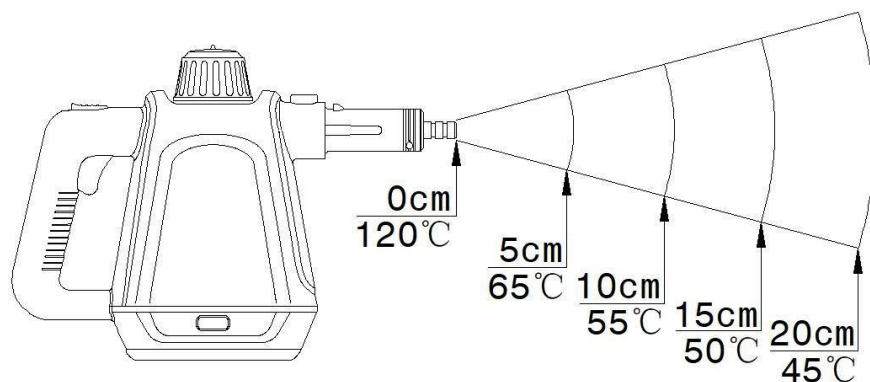
#### 6. Brosse de sol (serviette de brosse de sol)

Lors du nettoyage du sol, fixer deux ou trois tubes à la buse. L'extrémité du tube est fixée à la brosse. Le tube se branche directement sur la brosse de sol. Ouvrez les clips des deux côtés de la brosse et fixez la serviette.



## Température de la vapeur

Les données ci-dessous sont données à titre d'information pour que vous puissiez ajuster la distance de nettoyage.



**Attention** : les valeurs ci-dessus sont mesurées en laboratoire et peuvent être légèrement différentes dans la pratique.

## **Nettoyage :**

1. Avant le nettoyage, débranchez la fiche de la prise.
2. Laissez refroidir complètement le nettoyeur vapeur.
3. Essuyez le nettoyeur vapeur et les accessoires avec un chiffon humide. Ensuite, laissez toutes les pièces sécher complètement.

## **Rangement :**

Toutes les pièces doivent être complètement sèches avant d'être rangées.

- Rangez toujours le nettoyeur vapeur dans un endroit sec, propre et sans poussière.
- Rangez le nettoyeur vapeur dans un endroit fermé à clef afin qu'il ne soit pas accessible aux enfants.

## Guide de dépannage

Problème	Cause possible	Solution
Pas de projection de vapeur	La fiche n'est pas branchée dans la prise de courant	Rebranchez la fiche ou changez la prise
	Le réservoir est vide	Ajoutez de l'eau
	Le verrou de sécurité n'est pas enclenché	Appuyez sur le verrou de sécurité
	Autre problème	Voir le service technique
Voyant vert allumé et voyant rouge toujours éteint	Témoin lumineux cassé ou court-circuit de la ligne	Voir le service technique
Voyant rouge toujours allumé et voyant vert éteint.	La ligne électrique intérieure est incorrecte ou le thermostat est cassé	Voir le service technique
Clignotement du voyant rouge	Un manque d'eau ou une mauvaise connexion	Si le problème persiste après le remplissage, voir le service technique
De l'eau s'écoule de la buse	Il peut y avoir de l'eau dans la vapeur lors de la première utilisation ou si l'appareil est arrêté pendant un certain temps	C'est un phénomène normal qui disparaîtra rapidement
	Fonctionnement anormal	Voir le service technique
Autres	De la vapeur sort à côté de la buse	Voir le service technique
	Déformation du plastique	
	Aucun autre équipement électrique ne peut être utilisé	
	De la vapeur sort de la soupape de sécurité	
	Une fois la vapeur libérée, la soupape de détente ne s'ouvre pas	

## GARANTIE

La durée de garantie de nos produits est de 2 ans, sauf décret en vigueur, à compter de la date d'achat initiale ou la date de livraison.

En cas de problèmes ou d'interrogations, vous pouvez facilement accéder à nos pages d'aides, conseils de dépannage, FAQ et modes d'emplois sur notre site SAV : <https://sav.hkoenig.com>.

En tapant le nom de référence de votre appareil dans la barre de recherche, vous accédez à tous les supports en ligne disponibles, conçus pour vous répondre au mieux à vos besoins.

Si vous ne trouvez toujours pas de réponse à votre question ou votre problème, alors cliquez sur « Est-ce que la réponse a résolu votre problème ? ». Vous accéderez alors au formulaire de

demande d'assistance SAV, qu'il vous suffira de compléter pour valider votre demande et obtenir de l'aide.

## CONDITIONS DE GARANTIE

La garantie couvre l'ensemble des pannes survenant dans le cadre d'une utilisation normale, conforme aux usages et spécifications présentes sur le manuel d'utilisation.

Cette garantie ne s'applique pas aux problèmes d'emballage ou de transport pendant l'expédition du produit par son propriétaire. Elle n'inclut également pas l'usure normale du produit, ni la maintenance ou le remplacement de pièces consommables.

## EXCLUSION DE GARANTIE

- Les accessoires et les pièces d'usure (\*).
- L'entretien normal de l'appareil.
- Toutes pannes survenant par suite d'une mauvaise utilisation (chocs, non-respect des préconisations d'alimentation électrique, mauvaises conditions d'utilisation, etc.), d'un entretien insuffisant ou d'un détournement de fonction de l'appareil, ainsi que l'usage d'accessoires non appropriés.
- Les dommages d'origine externe : incendie, dégâts des eaux, surtension électrique, etc.
- Tout matériel qui aura été démonté même partiellement par des personnes autres que celles habilitées (notamment l'utilisateur).
- Les produits dont le numéro de série serait absent, détérioré ou illisible que ne permettrait pas son identification.
- Les produits soumis à la location, à la démonstration ou à l'exposition.

(\*) Certaines pièces de votre appareil dites pièces d'usure ou consommables se détériorent avec le temps et la fréquence d'usage de votre appareil. Cette usure est normale, mais peut être accentuée par des mauvaises conditions d'utilisation ou entretien de votre appareil. Ces pièces ne sont donc pas couvertes par la garantie.

Les accessoires fournis avec l'appareil sont également exclus du champ de la garantie. Ils ne peuvent donc être ni échangés, ni remboursés. Toutefois, certains accessoires peuvent être directement achetés via notre site : <https://sav.hkoenig.com/>.

## ENVIRONNEMENT

ATTENTION :



Vous ne devez pas vous débarrasser de cet appareil avec vos déchets ménagers. Un système de collecte sélective pour ce type de produit est mis en place par les communes, vous devez vous renseigner auprès de votre mairie afin d'en connaître les emplacements. En effet, les produits électriques et électroniques peuvent contenir des substances dangereuses qui ont des effets néfastes sur l'environnement ou la santé humaine et doivent être recyclés. Le symbole ci-contre indique que les équipements électriques et électroniques font l'objet d'une collecte sélective, il représente une poubelle sur roues barrée d'une croix.

Adeva SAS / H.Koenig Europe - 8 rue Marc Seguin - 77290 Mitry Mory - France

[www.hkoenig.com](http://www.hkoenig.com) - [sav@hkoenig.com](mailto:sav@hkoenig.com) - [contact@hkoenig.com](mailto:contact@hkoenig.com) - Tél: +33 1 64 67 00 05

# DEUTSCH

Liebe Kundin, lieber Kunde

vielen Dank, dass Sie unser Produkt gewählt haben. Für eine einfache Bedienung lesen Sie bitte die Anweisungen sorgfältig und folgen Sie den untenstehenden Anweisungen.

Aufgrund ständiger Produktverbesserungen, kann es zu Abweichungen vom Gerät auf den Abbildungen in dieser Bedienungsanleitung kommen. Dafür entschuldigen wir uns.

Halten Sie bitte die Anleitung auf einer für den Nutzer erreichbaren Stelle. Wenn Sie das Gerät an andere Personen übergeben, geben Sie bitte die Bedienungsanleitung mit.

Diese Bedienungsanleitung gehört zu diesem Handdampfreiniger (nachstehend der "Dampfreiniger" genannt) und beinhaltet wichtige Informationen bezüglich seiner Einstellung und Bedienung.

Besonders betrifft dies die Sicherheitsanweisungen. Die Nichtbeachtung kann zu Körperverletzungen oder Beschädigungen des Dampfreinigers führen.

## Verwendungszweck

Das Gerät ist ausschließlich für die Nutzung auf dampfreinigenden, wasserdichten und hitzebeständigen Flächen geeignet, wie z.B. Badarmaturen, Spiegel, Fliesen, Duschkabinen und bestimmten Bodenbelägen. Fragen Sie einen Experten, ob Ihr Bodenbelag für die Reinigung mit dem Dampfreiniger geeignet ist. Testen Sie die Reinigung immer zuerst auf einer kleinen Fläche.

Das Gerät ist nicht geeignet für Flächen, die für Hitze oder Feuchtigkeit empfindlich sind, wie z. B. Tapete, Velvet, Seide, beklebte Gegenstände, unversiegelte und/oder gewachste Holzflächen, Weichplastik, Leder und kaltes Glass (mit Außentemperatur unter 10°C).

Das Gerät ist für die Reinigung von Elektrogeräten oder zerbrechliche Gegenstände nicht geeignet.

Das Gerät ist ausschließlich für die private Nutzung geeignet und nicht für den gewerblichen Einsatz bestimmt.

- Benutzen Sie das Gerät, wie es in der Bedienungsanleitung beschrieben ist. Jegliche anderen Nutzungen werden als unsachgemäßer Gebrauch betrachtet.

- Die Garantie erstreckt sich nicht auf Mängel, die durch einen unsachgemäßen Gebrauch, Beschädigungen, Verkalkung oder Reparaturversuche entstanden sind. Gleiches gilt auch für natürlichen Verschleiß.

## **Sicherheitsanweisungen**

### **Verletzungsgefahr**

- Dieses Gerät kann von Personen mit eingeschränkten körperlichen, sensorischen oder geistigen Fähigkeiten oder mangelnder Erfahrung und Kenntnis benutzt werden, vorausgesetzt, dass sie beaufsichtigt oder in der sicheren Benutzung des Gerätes unterwiesen werden und die möglichen Gefahren vollständig verstehen.

- Das Gerät darf ausschließlich außer Reichweite von Kindern und Tieren benutzt und gelagert werden. Unsachgemäßer Gebrauch kann zu Verbrennungen und einem Stromschlag führen.

- Halten Sie Kinder und Tiere fern von der Verpackungsfolie. Es besteht eine Erstickungsgefahr!

- Richten Sie niemals den Dampf unmittelbar auf Menschen, Tiere oder Pflanzen. Dies kann zu schweren Verbrühungen führen.

- Halten Sie das Gerät nur am Griff, wenn Sie es bedienen. Es besteht eine Verbrühungsgefahr!

- Lassen Sie das Gerät nie unbeaufsichtigt, wenn es ans Netz angeschlossen ist.

- Kurz nach dem Gebrauch kann der benutzte Anhang immer noch sehr heiß sein. Deswegen sollten Sie

für einige Minuten warten, bis dieser komplett abgekühlt ist, bevor Sie ihn abmachen.

. Verbrühungsgefahr! Erlauben Sie dem Gerät immer vollständig abzukühlen, bevor Sie Wasser einschütten oder es ausgießen, dann reinigen Sie das Gerät und/oder räumen Sie es weg. Versuchen Sie es nie, den Wasserbehälter während der Nutzung aufzumachen. Vergewissern Sie sich immer, dass der Wasserbehälter sicher verschlossen ist, bevor Sie das Gerät benutzen.

. Dieses Gerät darf von Kindern ab 8 Jahren benutzt werden, sofern diese beaufsichtigt werden oder eine Einweisung in den sicheren Gebrauch des Geräts erhalten haben und die damit verbundenen Gefahren verstehen.

. Kinder dürfen das Gerät nur reinigen oder pflegen, wenn sie mindestens 8 Jahre alt sind und von einem Erwachsenen beaufsichtigt werden.

. Bewahren Sie das Gerät und das zugehörige Netzkabel außerhalb der Reichweite von Kindern unter 8 Jahren auf.

. Bei der Verwendung elektrischer Geräte sind stets Sicherheitsvorkehrungen zu treffen, um bei unsachgemäßer Verwendung die Gefahr von Bränden, elektrischen Schlägen und/oder Verletzungen zu vermeiden.

. Achten Sie darauf, dass die auf dem Typenschild angegebene Nennspannung mit Ihrer Netzspannung übereinstimmt Ihrer Installation. Wenn dies nicht der Fall ist, wenden Sie sich an den Händler und schließen Sie das Gerät nicht an.

. Bitte halten Sie dieses Dokument bereit und geben Sie es im Falle einer Übertragung Ihres Gerätes an den



zukünftigen Besitzer weiter.

· Das Gerät ist nicht für die Bedienung durch externe Zeitgeber oder ein Fernbedienungssystem vorgesehen.

Ihr Gerät ist nur für den Hausgebrauch bestimmt. Es ist nicht für die Verwendung in den folgenden Situationen vorgesehen, die nicht von der Garantie abgedeckt sind:

- in Personalküchen in Geschäften, Büros und anderen professionellen Umgebungen,
- in Landgasthöfen,
- von Gästen in Hotels, Motels und anderen Wohnumgebungen,
- in Bed-and-Breakfast-Umgebungen.

### **Brandgefahr**

· Benutzen Sie das Gerät nicht in Räumen, die leicht-entzündlichen Staub oder giftige und explosive Dämpfe beinhalten.

· Setzen Sie in die Öffnungen des Gerätes nichts ein und sichern Sie, dass diese nicht verstopft werden.

### **Stromschlaggefahr**

· Das Gerät muss ausschließlich an eine ordnungsgemäß installierte Steckdose mit Sicherheitskontakten angeschlossen werden. Der Stecker muss nach der Verbindung einfach erreichbar sein. Die Netzspannung muss mit den technischen Angaben des Gerätes übereinstimmen. Benutzen Sie ausschließlich passende Verlängerungskabel, deren technische Daten

mit denen von dem Gerät übereinstimmen.

- Das angeschlossene Gerät muss geerdet werden. Benutzen Sie ausschließlich einen passenden Stecker. Versuchen Sie es nicht, die Erdung zu umgehen.

- Tauchen Sie das Gerät nicht in Wasser oder andere Flüssigkeiten! Vergewissern Sie sich, dass das Gerät, das Kabel oder der Stecker nicht in Wasser fällt oder nass wird. Falls das Gerät doch ins Wasser fällt, schalten Sie die Stromversorgung sofort ab. Erst dann dürfen Sie es aus dem Wasser entfernen.

- Berühren Sie niemals das Gerät, das Kabel oder den Stecker mit nassen Händen, um ein Stromschlag zu vermeiden.

- Der Dampf darf nicht unmittelbar auf elektrische Geräte, Netzkabel oder Teile gerichtet werden, die elektrische Komponente beinhalten (zum Beispiel Öfen, Kühlschränke, Schalter oder Lichter, Mikrowellen, Bildschirme.)

- Ziehen Sie den Stromstecker nach jedem Gebrauch bevor Sie das Zubehör entfernen/ersetzen, den Wasserbehälter füllen/entleeren oder das Gerät reinigen. Ziehen Sie immer am Stecker und nicht am Kabel.

- Benutzen Sie das Gerät ausschließlich in geschlossenen Räumen.

- Überprüfen Sie das Gerät immer auf Beschädigungen, bevor Sie es in Betrieb nehmen. Benutzen Sie das Gerät nur wenn es vollständig montiert und betriebsbereit ist. Das Gerät darf nicht benutzt werden, wenn es fallen gelassen wurde, wenn auffällige Zeichen von Beschädigungen sichtbar sind oder wenn es undicht ist.

- Im Falle einer Beschädigung/eines Mangels,

schalten Sie das Gerät sofort aus.

- Versuchen Sie nie, das Gerät, das Stromkabel oder den Stromstecker selber zu reparieren oder Teile zu ersetzen. Beim Auftreten von Mängeln darf das Gerät nicht länger benutzt werden. Nehmen Sie den Kontakt mit dem nächstliegenden Kundendienst/ einem Fachhändler auf oder, im Falle einer Beschädigung, kontaktieren Sie bitte unsere Kundenservice-Abteilung. Unsachgemäße Reparaturen können zu einem wesentlichen Risiko für den Nutzer führen.

- Bedienen Sie das Gerät nicht, wenn das Kabel oder der Stecker beschädigt ist, wenn es nicht richtig funktioniert, heruntergefallen ist oder anderweitig beschädigt wurde. Wenn das Stromkabel in jeglicher Weise beschädigt ist, darf es nur vom Hersteller, einer von ihm beauftragten Werkstatt oder einer ähnlich qualifizierten Person ersetzt werden, um Gefährdungen zu vermeiden.

Beschädigungen des Stoffes, des Eigentums und des Gerätes vermeiden

- Platzieren Sie das Kabel derart, dass es nicht gequetscht oder gebogen wird, und nicht mit heißen Flächen in Kontakt kommt.

- Schalten sie das Gerät erst dann an, wenn der Wasserbehälter mit Wasser gefüllt wird, ansonsten kann die Wasserpumpe beschädigt und die Nutzungsdauer von dem Gerät verkürzt werden.

- Platzieren Sie keine schweren Gegenstände auf dem Gerät, dem Kabel oder dem Stecker.

- Auf keinen Fall ziehen Sie das Gerät und tragen Sie diesen am Kabel.

- Benutzen Sie kein anderes Zubehör. Benutzen Sie

nur originales Zubehör von dem Hersteller.

- Gießen Sie nie jegliche Reinigungsmittel oder chemische Zusatzstoffe in das Gerät. Dies könnte das Gerät beschädigen, wobei die sichere Nutzung des Gerätes nicht garantiert werden kann.

- Bedecken Sie nie die Dampfaustritt-Öffnungen und setzen Sie in diese keine Gegenstände ein.

- Halten Sie einen genügenden Abstand von Hitzequellen wie Kochplatten oder Öfen, um das Gerät nicht zu beschädigen.

- Lassen Sie das Gerät nicht fallen oder stark geschlagen werden.

- Setzen Sie das Gerät oder das Zubehör nicht extremen Temperaturen, großen Temperaturschwankungen, offenem Feuer, direkter Sonnenstrahlung aus und setzen Sie das Gehäuse des Gerätes keiner Feuchtigkeit oder Nässe aus.

- Probieren Sie die Reinigung erst auf einer kleinen, unauffälligen Stelle aus.

- Richten Sie den Dampf nie auf einen Punkt für eine längere Zeit.

- Benutzen Sie das Gerät nie auf Flächen aus kaltem Glass (bei Temperaturen unter 10°C). Der heiße Dampf kann zum Zerschlagen des Glases führen.

- Falls eine Fläche mit Wachs bearbeitet wurde, kann die Hitze und der Dampf das Wachs entfernen!

- Benutzen sie keine ätzenden oder abrasiven Reinigungsmittel (z.B. Essig) oder Reinigungspads, um das Gerät zu reinigen.

- Räumen Sie das Gerät in seine Lagerungsposition erst dann, wenn es komplett abgekühlt ist und es kein Wasser mehr im Wasserbehälter gibt.

- Lagern sie das Gerät an einem trockenen, sauberen Ort, außer Reichweite von Kindern und Tieren.

## **Ordnungsgemäße Nutzung**

Der Dampfreiniger ist ausschließlich dafür geeignet, den Schmutz mit Wasserdampf zu entfernen. Zum Beispiel, können Sie damit die folgenden Stellen reinigen: glatte Flächen (z.B. Arbeitsflächen, Fliesen, Platten, Fenster oder Spiegel), schwer erreichbare Flächen (z.B. Ecken, Verfugungen, Jalousien, WC, Armaturen) und Stoffe (z.B. Vorhänge, Kissen, Kleidungsstücke und Autositze).

Der Dampfreiniger ist ausschließlich für eine private Nutzung geeignet und darf nicht für kommerzielle Zwecke benutzt werden. Der Dampfreiniger darf nicht draußen oder mit anderen Flüssigkeiten außer Wasser benutzt werden.

Benutzen Sie den Dampfreiniger nur auf die in dieser Anleitung beschriebene Weise. Jegliche andere Nutzung gilt als unsachgemäß und kann zu Sachschäden oder Körperverletzungen führen.

Der Dampfreiniger ist kein Spielzeug.

Der Hersteller oder der Händler übernimmt keine Verantwortung für Schäden, die durch eine unsachgemäße Nutzung entstanden sind.

## **Achtung:**

- Lassen Sie die benutzten Zubehörteile abkühlen, bevor Sie diese entnehmen.
- Benutzen Sie den Dampfreiniger nicht, wenn dieser

gefallen ist, beschädigt wurde oder eine Leckage hat.

– Halten Sie den Dampfreiniger fern von Kindern, wenn er an ist oder abkühlt.

– Tragen Sie Handschuhe, eine Schutzbrille und Atemschutz, wenn Sie für die Gesundheit schädliche Stoffe entfernen.

– Richten Sie den Dampfstrahl nicht an andere Personen oder Tiere. Heißer Dampf kann schwere Verletzungen verursachen!

– Testen Sie zuerst auf unauffälligen Stellen, ob der Stoff, den Sie reinigen möchten, mit dem Dampfstrahler gereinigt werden darf, z.B.:

- Durch Dampf kann lackiertes Holz oder Leder verblasen.
- Ungeschütztes Holz kann anschwellen.
- Der Dampf kann die Schutzschicht aus Wachs entfernen.
- Plastik kann sich verfärben, wenn es dem Dampf ausgesetzt wird.
- Weiches Plastik kann sich verformen, wenn dieses dem Dampf ausgesetzt wird.
- Kaltes Glas oder eine Spiegelfläche kann platzen, wenn sie heißem Dampf ausgesetzt werden.

– Wenn Sie Fenster reinigen möchten, müssen Sie diese zuerst aufwärmen, z.B. durch die Anwendung des Dampfes auf einer größeren Fläche mit einem längeren Abstand, und erst dann die Distanz verkürzen.

– Acryl, Samtstoff und Satin sind empfindlich zu heißem













Dampf, genauso wie Platikfaser.

- Vergewissern Sie sich, dass das Stromkabel mit heißen Teilen in Kontakt nicht kommt.
- Setzen Sie den Dampfreiniger niemals hohen Temperaturen (Heizer usw.) oder schlechten Wetterbedingungen (Regen usw.) aus.
- Befüllen Sie den Dampfreiniger mit keinen Flüssigkeiten außer Wasser.
- Tauchen Sie den Dampfreiniger niemals zum Reinigen in Wasser und benutzen Sie keinen Dampfstrahler, um das Gerät zu reinigen. Ansonsten kann der Dampfreiniger beschädigt werden.
- Reinigen Sie den Dampfreiniger oder einzelne Teile auf keinen Fall in einer Spülmaschine, diese können beschädigt werden.

Den Dampfreiniger und Inhalte überprüfen

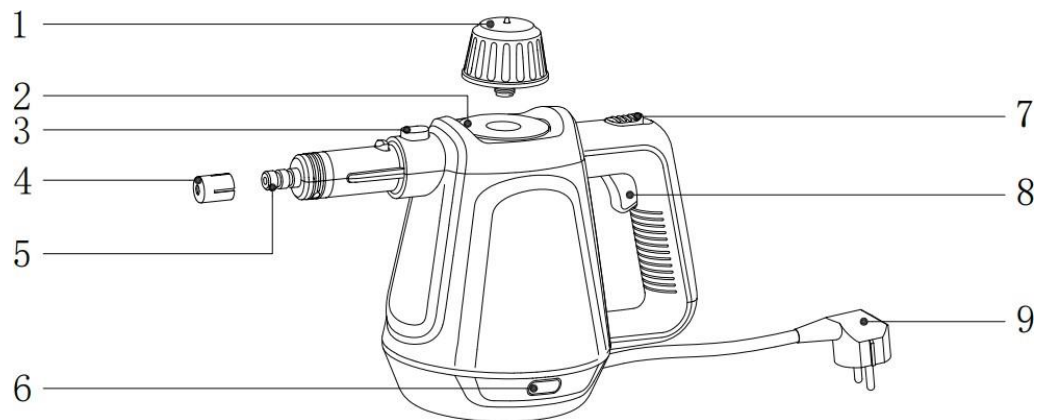
- Benutzen Sie den Dampfreiniger nicht, wenn die Plastikteile Risse oder Beschädigungen aufweisen oder verformt sind. Ersetzen Sie die beschädigten Teile ausschließlich durch entsprechende originale Ersatzteile.
- Bedienen Sie den Dampfreiniger nicht mit einem leeren Tank. Sobald der Wasserbehälter verbraucht wurde, trennen Sie den Stecker, um die Überhitzung zu vermeiden.

## Hauptgerät und Zubehör

Trichter ×1		Messbecher × 1	
Tücher Set ×1		Glasbürste x 1	
Große Düse x 1		Verlängerungsschlauch × 1	
Nylonbürste x 1		Edelstahlbürste x 1	
Bodenbürste x 1		Bodenbürsten- Anschluss X1	
Verlängerungsrohr x 3		Bodenbürsten-Handtuch x1	



## Strukturbild des Dampfreinigers



Nr.	Name	Funktion
1	Sicherheitskappe	Druckausgleich & Einfüllöffnung-Sperre
2	Einfüllöffnung	Wasser eingießen
3	Befestigungsschloss	Wird benutzt, um verschiedene Zubehöranschlüsse zu befestigen; drücken Sie darauf, um das Zubehör abzunehmen.
4	Schutzkappe	Zum Schutz des O-Rings
5	Dampfventil	Für Dampferzeugung
6	Lichtanzeige	Rot bedeutet das Erhitzen, grün bedeutet den höchsten Druck
7	Kindersperre	Die Dampftaste/ automatisches Dampfauslösen sperren
8	Dampfauslöser	Die Dampferzeugung durch das Betätigen dieser Taste während des Betriebs steuern.
9	Stecker	Schließen Sie das Gerät an, um das Gerät mit Strom zu versorgen.

## Bedienung:

1. Platzieren Sie den Dampfreiniger auf der Plattform und öffnen Sie die Sicherheitskappe.
2. Benutzen Sie den Messbecher, um Wasser einzugießen. Das maximale Volumen beträgt 400ml. Wir empfehlen Ihnen, den Behälter nur mit 300-350ml zu befüllen, um trockenen Dampf zu erzeugen. Wenn es mehr als 350ml Wasser sind, kann es etwas Wasser im Dampf in den ersten 2 Minuten geben.



### Besondere Hinweise:

- \* benutzen Sie bitte sauberes Wasser (kleine feste Partikel können die Rohre blockieren und das Gerät beschädigen)
- \* gießen Sie bitte keine Chemikalien wie z.B. Alkohol oder Reinigungsmittel in den Dampfreiniger (manche chemischen Lösungsmittel können das Gerät beschädigen, und sogar persönliche Sicherheit des Nutzers in ernstesten Fällen gefährden).
- \* Wenn Leitungswasser bei Ihnen in der Umgebung sehr hart ist, wird es empfohlen, Leitungswasser mit destilliertem Wasser zu mischen. Ansonsten kann der Dampfreiniger stark verkalkt werden und die Dampfdüse verstopfen.
- \* Bitte fügen Sie nicht weniger als 150ml Wasser hinzu.

3. Schließen Sie die Sicherheitskappe linksläufig.

4: Setzen Sie den Stecker in die Steckdose ein, die rote Leuchte wird angehen, was das Erhitzen bedeutet.

Sobald der Dampfreiniger betriebsbereit ist, wird die grüne Leuchte angehen. Die rote Lichtanzeige wird während des Betriebs an- und ausgehen.

**Achtung:**

– Benutzen Sie das Gerät nur wenn die grüne Lichtanzeige an ist.

Ansonsten wird heißes Wasser tropfen oder spritzen.

7. Drehen Sie die Kindersperre in die “on” Position, dann drücken Sie auf den Dampfauslöser. Der Dampf wird sofort erzeugt. Beachten Sie bitte, dass Sie immer auf den Dampfauslöser drücken müssen. Sobald Sie den Dampfauslöser loslassen, wird die Kindersperre zurück in die “OFF” Position gehen und die Dampferzeugung wird angehalten.

**Achtung: der Dampfauslöser kann nicht benutzt werden, ohne dass die Kindersperre gedrückt wird.**

Wenn es kein Wasser in dem Wasserbehälter mehr gibt, kann kein Dampf erzeugt werden, wenn Sie auf den Dampfauslöser drücken. Das Wasser muss auf die folgende Weise nachgefüllt werden:

1. Ziehen Sie den Stecker aus der Steckdose.
2. Drücken Sie auf den Dampfauslöser, bis kein Dampf mehr kommt.
3. Warten Sie für mindestens 12-18 Minuten, bis das Gerät abkühlt ist.
4. Schrauben Sie die Sicherheitskappe langsam ab und warten Sie für ein paar Sekunden.
5. Befüllen Sie langsam den Wasserbehälter mit Wasser.
6. Schließen Sie die Sicherheitskappe wieder.

Wenn Leitungswasser bei Ihnen in der Umgebung sehr hart ist, wird es empfohlen, Leitungswasser mit destilliertem Wasser zu mischen. Ansonsten kann der Dampfreiniger stark verkalkt werden und die Dampfdüse verstopfen.

6. Nach der Nutzung schalten Sie das Gerät bitte aus, lösen Sie restlichen Dampf und warten Sie, bis die Maschine abkühlt ist.

Der Dampfreiniger verfügt über einen Überhitzungsschutz. Dieser wird automatisch ausgeschaltet, wenn der Reiniger überhitzt ist (z.B. wenn der Wasserbehälter leer ist).

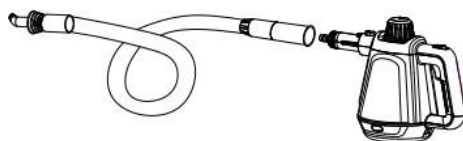
## Zubehöranleitung:

Hinweis: Bevor Sie jedes Zubehörteil am Gerät anbringen, entfernen Sie bitte zuerst die Kappe von der Düse. Die Funktion dieser Kappe besteht darin, das Austreten von Dampf durch den Verlust des O-Rings zu verhindern.



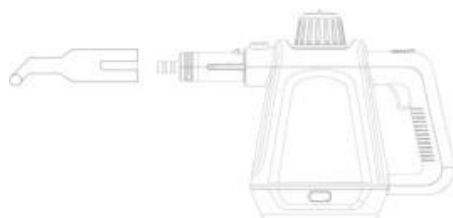
### 1: Verlängerungsschlauch

Wenn der Dampfreiniger bei schwer erreichbaren Flächen benutzt werden muss, kann es mit einem Verlängerungsschlauch verwendet werden. Die Bedienungsweise ist wie folgt: schließen Sie ein Ende des Schlauchs an dem Dampfventil an, bis dieses einrastet.



### 2: Große Düse

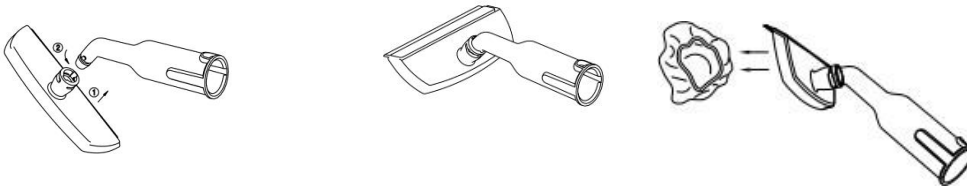
Die große Düse kann benutzt werden, um Ecken einfach zu reinigen, indem Sie diese an dem Dampfventil, wie den Verlängerungsschlauch, befestigen.



### 3: Glasbürste

Setzen Sie die große Düse in die Kerbe der Glasbürste ein (die Abbildung 1 unten) und drehen Sie diese rechtsläufig, bis sie einrastet (Abbildung 2 unten). Nach der Nutzung, entnehmen Sie die Glasbürste, indem Sie diese linksläufig drehen.

Um Tische, Stühle, Bücherregale zu reinigen oder Kleidung zu bügeln, legen Sie ein weißes Handtuch in die Glasbürste.



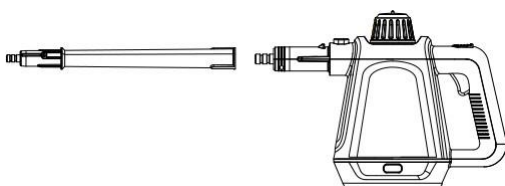
### 4: Nylon- und Edelstahlbürste.

Setzen Sie die große Düse in die Kerbe der runden Bürste ein (Abbildung 1 unten) und drehen Sie diese rechtsläufig, bis diese einrastet (Abbildung 2 unten). Nach der Nutzung, entnehmen Sie die runde Bürste, indem Sie diese linksläufig drehen.



### 5: Verlängerungsrohr

Wenn der Dampfreiniger auf schwer erreichbaren Flächen oder zum Reinigen des Bodens und Glases an hohen Stellen benutzt wird, kann dieser mit einem Verlängerungsrohr benutzt werden. Die Bedienungsweise ist wie folgt: schließen Sie ein Ende des Rohres an dem Dampfventil an, bis der Fixierschloss komplett in das Loch auf dem Dampfventil gelangen ist. Wenn dieser einrastet, ist die Installation abgeschlossen.



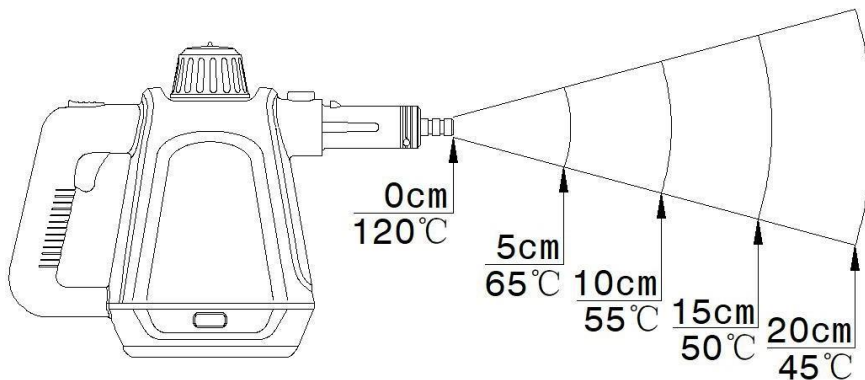
## 6: Bodenbürste (Bodenbürste-Handtuch)

Bei der Bodenreinigung verbinden Sie zwei oder drei Verlängerungsrohre miteinander und mit dem Dampfgerät. Das andere Ende des Verlängerungsrohres ist mit der Bodenbürste verbunden. Das Verlängerungsrohr wird unmittelbar mit dem Anschluss der Bodenbürste verbunden; öffnen Sie die Clips auf den beiden Seiten der Bodenbürste und befestigen Sie das Tuch.



### Dampftemperatur:

Untenstehend finden Sie die Referenzdaten für den Nutzer; die Bedienungsmethode kann angepasst werden, um eine bessere Reinigungsleistung zu erreichen.



Achtung: die oben bezeichneten Werte sind in einem Labor gemessen worden, es kann in der Praxis zu Abweichungen kommen.

### Reinigung:

1. Vor der Reinigung ziehen Sie den Stecker aus der Steckdose.
2. Lassen Sie den Dampfreiniger komplett abkühlen.
3. Wischen Sie den Dampfreiniger und das Zubehör mit

einem feuchten Tuch ab. Dann lassen Sie alle Teile komplett abkühlen.

### **Lagerung:**

Alle Teile müssen vor der Lagerung komplett trocken sein.

– Lagern Sie den Dampfreiniger immer an einem trockenen, sauberen und staubfreien Ort.

– Lagern Sie den Dampfreiniger in einem abgeschlossenen Raum, so dass dieser für Kinder nicht erreichbar ist.

## Allgemeine Hinweise für Fehlerbehebung

Situation	Analyse	Lösung
Kein Dampf kommt	Der Stecker ist nicht fest in der Steckdose eingesetzt	Den Stecker erneut einsetzen oder die Steckdose ersetzen
	Kein Wasser in dem Boiler	Wasser hinzufügen
	Die Dampftaste wurde nicht gedrückt	Auf die Kindersperre drücken
	Ein anderes Problem	Einen fachkundigen Rat einholen
Nur die grüne Leuchte ist an, die Rote geht niemals an.	Die Lichtanzeige ist defekt oder es gab einen Kurzschluss	Einen fachkundigen Rat einholen
Die rote Leuchte ist immer an, die Grüne ist aus.	Innere elektrische Leitung oder der Thermostat ist defekt	Einen fachkundigen Rat einholen
Die rote Leuchte blinkt.	Wassermangel oder eine schlechte Leitung	Wenn das Problem nach dem Eingießen von Wasser besteht, holen Sie einen fachkundigen Rat ein.
Wasser fließt aus der Düse.	Bei der ersten Nutzung kann etwas Wasser im Dampf geben und nach kurzer Zeit aufhören.	Normales Phänomen, wird schnell aufhören.
	Normale Nutzung wird beeinflusst.	Einen fachkundigen Rat einholen



Anderes	Dampf kommt hinten aus der Düse	Einen fachkundigen Rat einholen
	Plastik wurde weich und verformt	
	Andere elektrische Teile können nicht benutzt werden	
	Dampf kommt aus dem Sicherheitsventil	
	Nachdem Dampf ausgelöst wurde, kann das Entlüftungsventil immer noch nicht geöffnet werden.	

## **GARANTIE**

Die Garantiezeit für unsere Produkte beträgt 2 Jahre, sofern keine anderen Bestimmungen gelten, ab dem Datum des ursprünglichen Kaufs oder ab dem Lieferdatum.

Bei Problemen oder Fragen können Sie sich an unsere Hilfeseiten, Tipps zur Fehlerbehebung, FAQs und Bedienungsanleitungen auf unserer Kundendienst-Website wenden: <https://sav.hkoenig.com>.

Wenn Sie den Referenznamen Ihres Geräts in die Suchleiste eingeben, erhalten Sie Zugang zu allen verfügbaren Online-Supports.

Wenn Sie immer noch keine Antwort auf Ihre Frage oder Ihr Problem finden, dann klicken Sie auf "Hat die Antwort Ihr Problem gelöst?". Sie können dieses Formular ausfüllen, um Ihre Anfrage zu bestätigen und Hilfe zu erhalten.

## **GARANTIEBEDINGUNGEN**

Die Garantie deckt alle Defekte ab, die bei normalem, bestimmungsgemäßem Gebrauch und den in der Bedienungsanleitung enthaltenen Spezifikationen auftreten.

Diese Garantie gilt nicht für Probleme mit der Verpackung oder dem Transport während des Versands des Produkts durch den Eigentümer. Sie umfasst auch nicht den normalen Verschleiß des Produkts, die Wartung oder den Austausch von Verschleißteilen.

## AUSSCHLUSS DER GARANTIE

- Zubehör und Verschleißteile (\*).
- Die normale Wartung des Geräts.
- Alle Defekte, die durch unsachgemäßen Gebrauch (Stöße, Nichteinhaltung der empfohlenen Stromzufuhr, schlechte Nutzungsbedingungen usw.), unzureichende Wartung oder Zweckentfremdung des Geräts auftreten, sowie die Verwendung von ungeeignetem Zubehör.
- Schäden durch äußere Einflüsse: Brand, Wasserschäden, elektrische Überspannung usw.
- Alle Geräte, die von anderen als den befugten Personen (insbesondere dem Nutzer) auch nur teilweise auseinanderggebaut wurden.
- Produkte, deren Seriennummer fehlt, beschädigt oder unleserlich ist, sodass sie nicht identifiziert werden können.
- Produkte, die vermietet, vorgeführt oder ausgestellt werden.

(\* ) Einige Teile Ihres Geräts, die als Verschleißteile oder Verbrauchsmaterialien bezeichnet werden, verschleßen mit der Zeit und der Häufigkeit der Nutzung Ihres Geräts. Diese Abnutzung ist normal, kann aber durch falsche Nutzung oder Pflege Ihres Geräts noch verstärkt werden. Diese Teile sind daher nicht durch die Garantie abgedeckt.

Das mit dem Gerät gelieferte Zubehör ist ebenfalls von der Garantie ausgeschlossen. Sie können daher weder umgetauscht noch erstattet werden. Einige Zubehöerteile können jedoch direkt über unsere Website <https://sav.hkoenig.com/> erworben werden.

## UMWELT

### ACHTUNG:



Werfen Sie nicht dieses Produkt, wie es mit anderen Haushaltsprodukten hat. Es gibt eine Mülltrennung von diesem Produkt in Gemeinden, Sie müssen Ihre lokalen Behörden über die Orte, wo man dieses Produkt zurückgeben können zu informieren. In der Tat enthalten elektrische und elektronische Produkte gefährliche Stoffe, die schädliche Auswirkungen auf die Umwelt oder die menschliche Gesundheit haben und sollte recycelt werden. Das Symbol hier darauf hinweisen, dass elektrische oder elektronische Geräte sollten sorgfältig ausgewählt werden, ist ein fahrbarer Abfallbehälter mit einem Kreuz markiert.

Adeva SAS / H.Koenig Europe - 8 rue Marc Seguin - 77290 Mitry Mory - France

[www.hkoenig.com](http://www.hkoenig.com) - [sav@hkoenig.com](mailto:sav@hkoenig.com) - [contact@hkoenig.com](mailto:contact@hkoenig.com) - Tél: +33 1 64 67 00 05

# NEDERLAND

Geachte klant:

Bedankt voor de keuze om onze producten te gebruiken. Voor veilig gebruik dient u eerste de instructies zorgvuldig door te lezen en volg de onderstaande instructies.

Door verbeteringen aan het product, zijn de producten die u heeft ontvangen mogelijk anders dan op de illustraties in de handleiding. Daarvoor onze excuses.

Bewaar de handleiding op een plek die gemakkelijk bereikbaar is. Als u dit product verkoopt of weggeeft, geef dan ook deze handleiding mee.

Deze gebruikershandleiding hoort bij deze draagbare stoomreiniger (hierna 'stoomreiniger genoemd'), en bevat belangrijke informatie voor de afstelling en gebruik.

De geldt vooral voor de veiligheidsinstructies. Het niet opvolgen hiervan kan leiden tot verwondingen of schade aan de stoomreiniger.

## Beoogd gebruik

. Het beoogd gebruik van dit apparaat is uitsluitend voor het stoomreinigen van water- en hittebestendige oppervlakken, bijvoorbeeld badkamerkranen, spiegels, tegels, douchecabines en bepaalde vloeren. Vraag een specialist of uw vloer kan worden schoongemaakt met een stoomreiniger. Altijd eerst uitproberen op een klein plekje.

. Dit apparaat is niet geschikt voor oppervlakken die gevoelig zijn voor hitte of vochtigheid, bijvoorbeeld behang, fluweel, zijde, gelijmde objecten, ongelakt en/of houten oppervlakken met was, zacht plastic, leer en koud glas (met een buitentemperatuur van minder dan 10°C).

. Het apparaat is niet geschikt voor het schoonmaken van elektronische apparaten en fragiele objecten.

. Het apparaat is bedoeld voor huishoudelijk gebruik en niet voor commerciële doeleinden.

- Gebruik het apparaat alleen zoals het beschreven staat in de handleiding. Al het andere gebruik is niet gewenst.
- De garantie vervalt bij verkeerd gebruik, schade, verkalking of reparatiepogingen. Dit geldt ook voor normale slijtage.

## **Veiligheidsinstructies**

### Gevaar op verwondingen

- Dit apparaat kan worden gebruikt door personen met verminderde fysieke, zintuiglijke of mentale vermogens of met gebrek aan ervaring of kennis, op voorwaarde dat zij onder toezicht staan of instructies hebben gekregen over het veilige gebruik van het apparaat en dat zij de mogelijke gevaren volledig begrijpen.
- Het apparaat mag alleen gebruikt en opgeslagen worden buiten gebruik van kinderen of dieren. Verkeerd gebruik kan leiden tot verbrandingen en elektrische schokken.
- Houd kinderen en dieren weg van het verpakkingsmateriaal. Er is gevaar op verstikking!
- Nooit stoom direct op mensen, dieren of planten richten. Dit kan verbrandingen opleveren.
- Houd het apparaat alleen vast bij het handvat tijdens gebruik. Er is gevaar op verbranding!
- Laat het apparaat nooit onbeheerd achter als het aangesloten is op het stopcontact.
- Kort na gebruik kan het gebruikte hulpstuk nog erg heet zijn. Wacht daarom een paar minuten zodat het apparaat helemaal is afgekoeld voordat u het eraf haalt.

- Gevaar op verbranding! Laat het apparaat helemaal afkoelen voordat u er water in of uit haalt, schoonmaakt of wegzet. Nooit de watertank proberen te openen tijdens gebruik. Altijd controleren dat de watertank goed vastzit voordat u het apparaat gebruikt.
- Controleer dat de stroomkabel geen gevaar vormt om er over te struikelen.
- Dit apparaat mag worden gebruikt door kinderen vanaf 8 jaar en ouder indien dit gebeurt onder toezicht, als zij van tevoren instructies hebben ontvangen betreffende het veilige gebruik van het apparaat en als zij de mogelijke gevaren kennen.
- Reiniging en onderhoud mogen niet worden uitgevoerd door kinderen tenzij ze 8 jaar of ouder zijn en onder toezicht van een volwassene staan.
- Houd het apparaat en het snoer buiten bereik van kinderen onder de 8 jaar.
- Bij het gebruik van elektrische apparatuur moeten altijd veiligheidsmaatregelen worden genomen om het risico van brand, elektrische schokken en/of letsel in geval van verkeerd gebruik te voorkomen.
- Controleer of de spanning op het typeplaatje overeenkomt met de spanning die op het typeplaatje staat van uw installatie. Als dit niet het geval is, neem dan contact op met de dealer en sluit het apparaat niet aan.
- Bewaar dit document bij de hand en geef het aan de toekomstige eigenaar in geval van overdracht van uw apparaat.
- Het apparaat is niet bedoeld om te worden bediend door middel van een externe timer of een afstandsbediening.

## **Risico op vuur**

- Gebruik het apparaat niet in ruimtes met ontbrandbaar stof of met explosieve dampen.
- Niets in de openingen van het apparaat plaatsen en controleer dat er niets verstopt zit.

Uw apparaat is uitsluitend ontworpen voor huishoudelijk gebruik. Het is niet bedoeld voor gebruik in de volgende situaties, die niet onder de garantie vallen:

- in personeelskeukens in winkels, kantoren en andere professionele omgevingen,
- in boerderijherbergen,
- door gasten in hotels, motels en andere residentiële omgevingen,
- in bed & breakfast-omgevingen.

## **Gevaar op elektrische schok**

- Het apparaat mag alleen worden aangesloten op een juist aangesloten stopcontact met veilige contactpunten. De stekker in het stopcontact moet goed bereikbaar zijn als die aangesloten is. De spanningsbron moet overeenkomen met de technische gegevens van het apparaat. Gebruik alleen geschikte verlengkabels waarvan de technische data overeenkomen met die van het apparaat.
- Dit apparaat moet geaard zijn als het aangesloten is. Gebruik alleen de geschikte stekker. Probeer niet de aarde-aansluiting te omzeilen.
- Nooit het apparaat in water of een andere vloeistof onderdompelen! Verzeker dat het apparaat, de kabel of de

stekker niet in water vallen of nat worden. Mocht het apparaat in water vallen, schakel dan meteen de stroomtoevoer uit. Alleen daarna kunt u het apparaat uit het water halen.

- Nooit het apparaat, de kabel of de stekker met natte handen vastpakken om elektrische schokken te vermijden.
- De stoom mag niet gericht worden op elektrische apparaten, stroomkabels of onderdelen die elektrische onderdelen bevatten (bijvoorbeeld in ovens, koelkasten, schakelaars en verlichting, magnetrons, schermen).
- Haal iedere keer de stekker uit het stopcontact voordat u een hulpstuk verwijderet/verwisselt, de watertank vult of leegt of het apparaat schoonmaakt. Trek altijd aan de stekker en niet aan de kabel.
- Gebruik het apparaat alleen binnenkamers.
- Controleer het apparaat altijd op beschadigen voordat u het apparaat gebruikt. Gebruik het apparaat alleen als het helemaal in elkaar gezet is en operationeel is. Het apparaat mag niet gebruikt worden als het gevallen is, of als er zichtbare schade is of als het lekt.
- In het geval van schade/onvolkomenheden meteen het apparaat uitschakelen.
- Nooit proberen zelf het apparaat te repareren, dan wel de stroomkabel of stekker of onderdelen te vervangen. Als het apparaat een gebrek vertoont, mag het niet meer gebruikt worden. Neem contact op met de dichtstbijzijnde klantenservice/specialist-dealer of, in het geval van schade, neem contact op met onze klantenservice. Onjuiste reparaties kunnen gevaren opleveren voor degebruiken.
- Gebruik dit apparaat niet als het een beschadigde kabel of stekker heeft, het niet correct werkt of als het

beschadigd is of is gevallen. Als de stroomkabel beschadigd is, moet het worden vervangen door de fabrikant, klantenservice, servicemonteur of een gelijkwaardig gekwalificeerd persoon, om gevaren te vermijden.

### **Vermijd schade aan de materialen, eigendommen en het apparaat**

- Plaats de kabel zo dat hij niet geplet of gebogen kan worden en dat het niet in contact komt met hete oppervlaktes.
- Schakel het apparaat alleen in als de watertank gevuld is anders kan de waterpomp beschadigd raken en kan de levensduur van het apparaat worden verminderd.
- Plaats geen zware objecten op het apparaat, kabel of stekker.
- Trek of draag het apparaat niet aan de stroomkabel.
- Gebruik geen andere accessoires. Gebruik alleen de originele van de fabrikant.
- Giet nooit schoonmaakmiddelen of andere chemische toevoegingen in het apparaat. Dit kan het apparaat kapot maken en de veilige werking is dan niet meer gegarandeerd.
- Nooit de stoomopeningen afdekken en steek er geen objecten in.
- Houd voldoende afstand van warmtebronnen zoals fornuizen en ovens om het apparaat niet te beschadigen.
- Laat het apparaat niet vallen en zorg dat er ook niet mee gestoten wordt.



- Stel het apparaat niet bloot aan hoge temperaturen, hoge temperatuurschommelingen, open vuur, direct zonlicht en stel het niet bloot aan vochtige of natte condities.
- Altijd eerst proberen schoon te maken op een kleine, onopvallende plek.
- Nooit te lang de stoom op één plek richten.
- Nooit het apparaat gebruiken op een koude glazen oppervlak (met een temperatuur van minder dan 10°C). De hete stoom kan het glas laten breken.
- Mocht het oppervlak van was voorzien zijn, kan de stoom de was verwijderen.
- Gebruik geen bijtende schoonmaakmiddelen (bijv. azijn) of reinigingssponsjes om het apparaat schoon te maken.
- Berg het apparaat alleen op als het helemaal is afgekoeld en er geen water meer in de watertank zit.
- Bewaar het apparaat in een droge, schone ruimte die niet toegankelijk is voor kinderen en dieren.

## **Juist gebruik**

De stoomreiniger is alleen ontworpen om vuil te verwijderen met waterdamp. Bijvoorbeeld is het geschikt om te gebruiken in de volgende situaties: gladden oppervlaktes (bijv. werkgebieden, tegels, geglazuurde tegels, ramen en spiegels), moeilijk bereikbare plekken (bijv. hoeken, voegen, rolluiken, toilet en wasbakken) en stoffen (bijv. gordijnen, kussens, stukken kleding en autostoelen).

De stoomreiniger is alleen bedoeld voor privégebruik en is

niet geschikt voor commerciële doeleinden. De stoomreiniger is niet geschikt voor buiten gebruik of voor gebruik met andere vloeistoffen dan water.

Gebruik de stoomreiniger alleen zoals beschreven in deze handleiding. Elk ander gebruik is niet gewenst en kan leiden tot schade aan eigendommen of zelfs verwondingen.

De stoomreiniger is geen kinderspeelgoed.

De fabrikant of verkoper is niet aansprakelijk voor schade door ongewenst of verkeerd gebruik.

### **Attentie:**

- Laat de accessoires eerst afkoelen voordat u ze verwijdert.
- Gebruik de stoomreiniger niet als deze is gevallen, er duidelijk schade is of als hij lekt.
- Hou de stoomreiniger uit de buurt van kinderen als deze is ingeschakeld of aan het afkoelen is.
- Draag handschoenen, beschermbril en ademhalingsbescherming als u afzettingen probeert te verwijderen die schadelijk zijn voor de gezondheid.
- Richt de stoomuitlaat niet op personen of dieren. Hete stoom kan ernstige verwondingen opleveren!
- Controleer eerst op een onopvallende plek of het materiaal dat u wilt schoonmaken geschikt is om schoon te maken met een stoomreiniger:
  - Stoom kan zorgen dat gelakt hout of leer vervaagt.

- Onbeschermd hout kan opzwellen.
- De stoom kan beschermlagen van was verwijderen.
- Plastic kan verkleuren bij blootstelling aan stoom.
- Zacht plastic kan vervormen bij blootstelling aan stoom.
- Koude glazen of spiegeloppervlaktes kunnen barsten bij blootstelling aan hete stoom.

– Als u ramen wilt schoonmaken, dient u deze eerst op te warmen, bijv. door te stomen op een groter gebied op grote afstand en dan pas van dichtbij.

– Acryl, fluweel en satijn zijn gevoelig voor stoom, net zoals plastic vezels.

– Zorg dat de stroomkabel niet in contact komt met hete onderdelen.

– Nooit de stoomreiniger blootstellen aan hoge temperaturen (verwarmingen etc.) of aan weersinvloeden (regen etc.).

– Nooit de stoomreiniger vullen met andere vloeistoffen dan water.

– Nooit de stoomreiniger onderdompelen in water om deze schoon te maken en gebruik geen stoomreiniger om hem schoon te maken. Anders kan de stoomreiniger beschadigd raken.










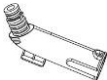


– In geen geval de stoomreiniger of onderdelen ervan in de vaatwasser plaatsen. Hierdoor gaat het kapot. Controleer de stoomreiniger en de inhoud 13

– Gebruik de stoomreiniger niet meer als de plastic

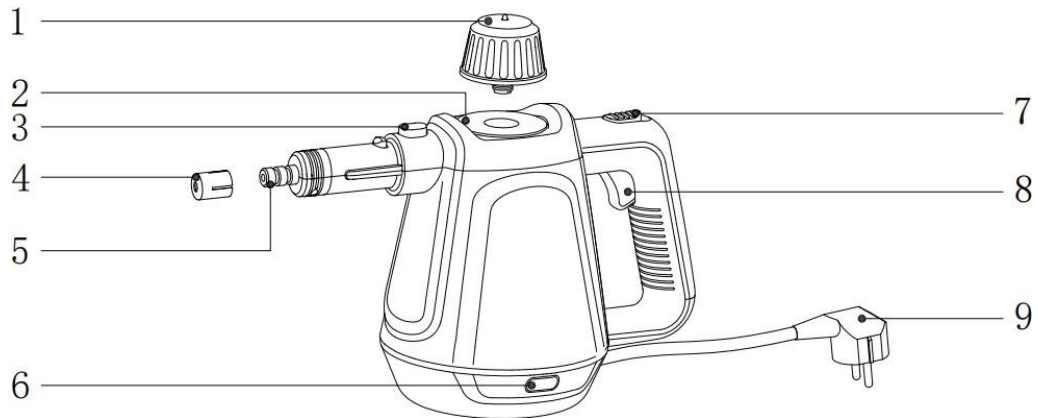
onderdelen barsten vertonen, breken of vervormd zijn. Vervang beschadigde onderdelen alleen met overeenkomende originele reserve-onderdelen.

– Gebruik de stoomreiniger niet met een lege tank. Als het waterreservoir leeg is, haal dan de stekker uit het stopcontact om oververhitting te voorkomen.

**Hoofdunit en accessoires:**

Trechter x1		Maatbeker x1	
Doekenset x1		Glasborstel x1	
Grote spuitmond x1		Verlengslang x1	
Nylonborstel x1		Roestvrijstalen borstel x1	
Vloerborstel x1		Aansluiting voor de vloerborstel x1	
Verlengbuis x3		Vloerborsteldoek x1	

## Illustratie structuur stoomreiniger



No.	Naam	Functie
1	Veiligheidsdeksel	Houdt de druk op balans & sluit de vulopening
2	Vulopening	Voeg hier water toe
3	Vergrendeling hulpstukken	Gebruik dit voor het vastzetten van verschillende accessoires, druk erop om de accessoires te verwijderen
4	Beschermkap	Bescherming van de o-ring
5	Stoomuitlaat	Waar de stoom eruit komt
6	Indicator	Rood betekent opwarmen, groen betekent voldoende druk
7	Kinderbeveiliging	Blokkeert de stoomknop/automatische stoomvrijgave
8	Stoomknop	Controleert de stoom na het indrukken in de werkmodus
9	Stekker	Steek deze in een stopcontact om het apparaat van stroom te voorzien

## **Gebruik:**

1. Plaats de stoomreiniger op de basis en open de veiligheidsdeksel.
2. Gebruik de maatbeker om water bij te vullen. De maximale hoeveelheid is 400ml. We raden aan om maar 300-350ml bij te vullen voor droge stoom. Bij meer dan 350ml water kan er wat water vrijkomen bij de eerste 2 minuten stoom.



### Extra attentie:

- \* gebruik schoon water (kleine vaste deeltjes kunnen de leiding verstoppen of het apparaat kapot maken)
- \* giet geen chemicaliën zoals alcohol of schoonmaakmiddel in de stoomreiniger. (Sommige chemische oplossingen kunnen het apparaat kapot maken, en in sommige gevallen zelfs gevaar opleveren voor verwondingen)
- \* Als het kraanwater in uw omgeving erg hard is, wordt het aanbevolen om kraanwater met gedestilleerd water te mengen. Anders kan de stoomreiniger vroegtijdig verkalken en de stoommond verstoppen.
- \* Voeg alstublieft niet minder dan 150ml toe.

3. Sluit de veiligheidsdeksel door tegen de klok in te draaien.
4. Steek de stekker in het stopcontact, de rode indicator zal gaan branden en geeft aan dat hij opwarmt.  
Zodra de stoomreiniger klaar voor gebruik is, gaat de groene indicator branden. De rode indicator zal aan- en uitgaan tijdens gebruik.

### **Attentie:**

- Gebruik het product alleen als de groene indicator brandt voor het eerste gebruik. Anders kan er heet water druppen of spuiten.

Draai de kinderbeveiliging naar de 'on'-stand en druk dan op de stoomknop. Er zal meteen stoom vrijkomen. Onthoud dat u altijd op de stoomknop dient te drukken. Als u de stoomknop loslaat, gaat de kinderbeveiliging automatisch naar de 'off'-stand en stopt de stoom.

**Attentie: Zonder de kinderbeveiliging om te zetten, heeft het geen zin op de stoomknop te drukken.**

Als er geen water meer in de watertank zit, zal er geen stoom meer vrijkomen als u op de stoomknop drukt. Er moet als volgt water worden toegevoegd:

1. Haal de stekker uit het stopcontact.
2. Druk op de stoomknop tot er geen stoom meer vrijkomt.
3. Laat het minimaal 12-18 minuten afkoelen.
4. Draai voorzichtig de veiligheidsdeksel los en wacht een paar seconden.
5. Vul de watertank langzaam met water.
6. Sluit de veiligheidsdeksel weer.

Als het kraanwater in uw omgeving erg hard is, wordt het aanbevolen om kraanwater met gedestilleerd water te mengen. Anders kan de stoomreiniger vroegtijdig verkalken en de stoommond verstopen.

Na gebruik het apparaat uitschakelen, de overige stoom laten ontsnappen en wacht tot het apparaat is afgekoeld.

De stoomreiniger heeft een oververhittingsbeveiliging. Het zal automatisch uitschakelen als het oververhit raakt (bijv. bij een lege watertank.)

## Instructies voor accessoires:

**Opmerking:** Alvorens elk accessoire op het toestel toe te voegen, gelieve eerst de dop op het mondstuk af te nemen. De functie van deze dop is het voorkomen van stoomlekkage door het verlies van de o-ring.



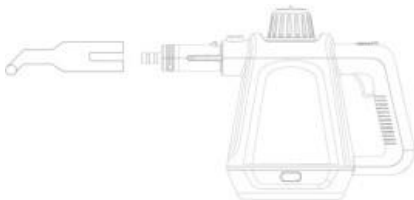
### 1: Verlengslang

Als de stoomreiniger moeilijk bij de schoon te maken plek kan komen, kan hij gebruikt worden met een verlengslang. De methode is als volgt: sluit het uiteinde van de slang aan de stoomuitlaat tot er een klikgeluid klinkt.



### 2: Grote spuitmond

De grote spuitmond kan worden gebruikt om hoeken schoon te maken, sluit deze aan op de stoomuitlaat zoals dat bij de verlengslang ging.

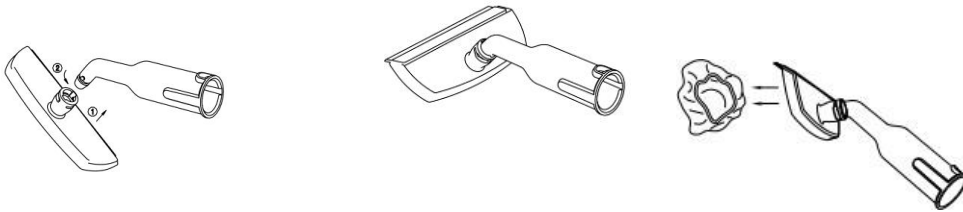




### 3: Glasborstel

Plaats de grote spuitmond op de glasborstel (onderstaande afbeelding 1), en draai met de klok mee tot er een klik klinkt (onderstaande afbeelding 2). Na gebruik de glasborstel eraf halen door tegen de klok in te draaien.

Voor het schoonmaken van een bureau en stoel, boekenkast of bij het strijken van kleding, eerst een witte handdoek op de glasborstel plaatsen.



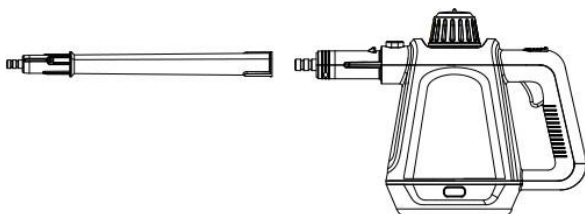
### 4: Nylon en roestvrijstalen borstel

Plaats de grote spuitmond op de ronde borstel (onderstaande afbeelding 1), en draai met de klok mee tot er een klik klinkt (onderstaande afbeelding 2). Na gebruik de ronde borstel eraf halen door tegen de klok in te draaien.



### 5: Verlengbuis

Als de stoomreiniger moeilijk bij sommige plekken kan komen, of wordt gebruikt voor de vloer en ramen op hoge plekken, kan er een verlengbuis worden gebruikt. De methode is als volgt: verbind de verlengbuis aan de stoomuitlaat tot deze vastklikt in het gat van de verlengbuis, dat betekent dat de plaatsing gelukt is.



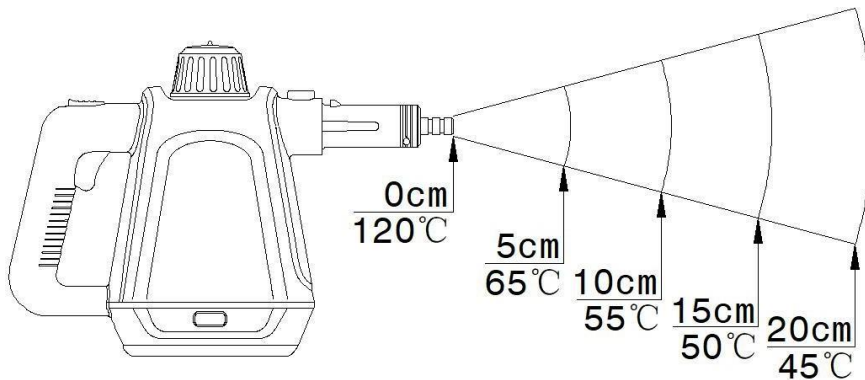
## 6: Vloerborstel (vloerborsteldoek)

Bij het schoonmaken van de vloer kunt u twee of drie verlengbuizen aan elkaar plaatsen. Aan de andere kant van de verlengbuis plaatst u de vloerborstel. Plaats de verlengbuis direct op de koppeling van de vloerborstel, open de clipjes aan de twee zijden van de vloerborstel en plaats het doek.



## Stoomtemperatuur:

De onderstaande data is ter referentie voor de gebruiker, we kunnen de methode aanpassen om een beter schoonmaakresultaat te krijgen.



Attentie: De bovenstaande data wordt gemeten in het laboratorium, er zal in de praktijk een lichte afwijking zijn.

## Schoonmaken:

1. Voor het schoonmaken eerst de stekker uit het stopcontact halen.
2. Laat de stoomreiniger helemaal afkoelen.
3. Veeg de stoomreiniger en de accessoires af met een

vochtige doek. Laat alle onderdelen helemaal opdrogen.

### **Opslag:**

Alle onderdelen dienen helemaal droog te zijn voordat u ze opslaat.

- Altijd de stoomreiniger opslaan op een droge, schone en stofvrije plek.
- Sla de stoomreiniger op achter een slot zodat hij niet toegankelijk is voor kinderen.

## Probleemoplossing

Situatie	Ongewone analyse	Oplossing
Er komt geen stoom	Stekker niet goed in het stopcontact	Steek hem er goed in of neem een ander stopcontact
	Geen water in de boiler	Voeg water toe
	Niet op de stoomknop gedrukt	Druk op de kinderbeveiliging
	Ander probleem	Vraag om professionele raad
Het groene licht brandt, het rode niet	Indicator is kapot, of er is kortsluiting	Vraag om professionele raad
Het rode licht brandt, het groene blijft uit	Het elektrische circuit of de thermostaat is kapot	Vraag om professionele raad
Knipperend rood licht	Te weinig water of slecht contact	Als het probleem blijft bestaan na het bijvullen, om professionele raad vragen
Er stroomt water uit de spuitmond	Er kan water in het stoom zitten bij het eerste gebruik of na een pauze	Normaal fenomeen Zal snel verdwijnen
	Gebeurt bij normaal gebruik	Vraag om professionele raad
Anders	Er komt stoom naast de mond uit	Vraag om professionele raad
	Plastic vervorming en zacht fenomeen	
	Elektrisch apparaat werkt niet	
	Er komt stoom uit de veiligheidsklep	
	Na het vrijlaten van de stoom kan het overdrukventiel nog niet open	

## **GARANTIE**

De garantieperiode op onze producten is 2 jaar, tenzij anders vermeld, beginnend vanaf de datum van de initiële aankoop of bezorgdatum.

Als u problemen of vragen heeft, kunt u eenvoudig onze hulppagina's bezoeken voor tips om problemen op te lossen, de FAQ's en andere gebruikershandleidingen op onze website: <https://sav.hkoenig.com>.

Door de referentienaam van uw apparaat in de zoekbalk te typen, krijgt u toegang tot alle beschikbare online hulpmiddelen, ontworpen om aan uw behoeften te voldoen.

Als u toch niet geen antwoord op uw vraag kunt vinden, klik dan op "Heeft het antwoord uw probleem opgelost? Hierdoor gaat u naar het Aanvraagformulier voor Klantenondersteuning, dat u in kunt vullen om uw verzoek te valideren en hulp te ontvangen.

## **GARANTIEVOORWAARDEN**

De garantie dekt alle mankementen die voortkomen uit normaal gebruik, volgens de sectie gebruik en specificaties in de gebruikershandleiding.

Deze garantie omvat niet verpakkings- of transportproblemen tijdens het vervoer van het product door de eigenaar. Het omvat ook niet de normale slijtage van het product, noch het onderhoud of vervangen van verbruiksartikelen.

## **UITSLUITINGEN VAN DE GARANTIE**

- Accessoires en verbruiksartikelen (\*).
- Normaal onderhoud van het apparaat.
- Alle mankementen veroorzaakt door verkeerd gebruik (schokken, het niet opvolgen van de aanbevolen stroomvoorziening, in slechte omstandigheden gebruiken, etc.), onvoldoende onderhoud of ondeugdelijk gebruik van het apparaat, alsook het gebruik van ongeschikte accessoires.
- Schade van buitenaf: vuur, waterschade, elektrische stroompiek, etc.
- Apparaten die uit elkaar zijn gehaald, ook gedeeltelijk, door personen die niet er niet gekwalificeerd voor zijn (zoals de gebruiker).
- Producten waarvan het serienummer verdwenen, beschadigd of onleesbaar is, waardoor we het niet kunnen identificeren.
- Producten die verhuurd werden of ter demonstratie of showmodel waren.

(\*) Sommige onderdelen van uw apparaat, genaamd verbruiksartikelen, slijten naar verloop van tijd en bij veel gebruik van uw apparaat. Deze slijtage is normaal, maar kan verergerd worden door

slechte omstandigheden of onderhoud van uw apparaat. Deze onderdelen worden daarom niet gedekt door de garantie.

De accessoires meegeleverd met het apparaat zijn ook uitgesloten van de garantie. Ze kunnen niet vervangen of gerestitueerd worden. Echter, sommige accessoires zijn te koop via onze website: <https://sav.hkoenig.com/>.

## MILIEU

### ATTENTIE:



Dit apparaat mag niet met uw ander huishoudelijke toestellen worden verwijderd. Dit product moet op een geselecteerde stortplaats verwijderd worden. U kunt bij de gemeente een indiceerde plaats aanvragen. Elektrisch en elektronische producten kunnen gevaarlijke stoffen inhouden die schadelijk zijn voor mensen en het milieu en moet recycled worden. Het symbool aan de kant geeft aan dat het een elektrisch en elektronisch toestel is en zijn dus artikelen van een selectieve collectie. Het beeld geeft een afvalbak met een X teken aan.

Adeva SAS / H.Koenig Europe - 8 rue Marc Seguin - 77290 Mitry Mory - France

[www.hkoenig.com](http://www.hkoenig.com) - [sav@hkoenig.com](mailto:sav@hkoenig.com) - [contact@hkoenig.com](mailto:contact@hkoenig.com) - Tél: +33 1 64 67 00 05

# ESPAÑOL

Estimado cliente:

Gracias por elegir utilizar nuestros productos. Para una operación sencilla, lea atentamente este manual y siga las instrucciones.

Debido a continuas mejoras en los productos, es posible que las imágenes de las instrucciones no correspondan exactamente con el producto adquirido, pedimos disculpas por eso.

Guarde este manual de instrucciones en un lugar seguro para posibles consultas en el futuro. Si transfiere este producto a otras personas, asegúrese de adjuntar este manual.

Este manual de instrucciones acompaña al limpiador a vapor de mano (en lo adelante, "limpiador a vapor") y contiene información importante sobre la instalación y la operación del mismo.

Preste especial atención a las instrucciones de seguridad. No hacerlo puede resultar en lesiones personales o daños en el limpiador a vapor.

## Uso Previsto

- Este aparato puede ser utilizado por personas con capacidades físicas, sensoriales o mentales reducidas o con falta de experiencia o conocimientos, siempre que sean supervisadas o instruidas en el uso seguro del aparato y que entiendan perfectamente los peligros potenciales.
- No use el limpiador a vapor sobre superficies sensibles al calor o la humedad, como papel tapiz, terciopelo, seda, objetos encolados, superficies de madera sin sellar y/o enceradas, plástico blando, cuero y vidrio frío (con temperaturas exteriores inferiores a 10 ° C).
- No use el limpiador a vapor para limpiar equipos electrónicos y objetos frágiles.
- Este aparato está previsto para uso doméstico y no está destinado a aplicaciones industriales.
- Utilice el limpiador a vapor únicamente como se describe en este manual. Cualquier otro uso se considera

inapropiado.

- La garantía no cubre fallos causados por manejo incorrecto, daño, calcificación o intentos de reparación. Esto también se aplica al desgaste normal.

Su aparato ha sido diseñado únicamente para uso doméstico. No ha sido diseñado para ser utilizado en las siguientes situaciones que no están cubiertas por la garantía:

- en áreas de cocina para el personal en tiendas, oficinas y otros entornos profesionales,
- en albergues agrícolas,
- en hoteles, moteles y otros entornos residenciales,
- en entornos de tipo bed and breakfast.

## Instrucciones de Seguridad

### Peligro de lesiones

- Este limpiador a vapor puede ser usado por personas con discapacidad física, sensorial o motora, o con falta de experiencia y conocimiento, siempre que sean supervisados o hayan sido debidamente instruidos en el uso del aparato de forma segura y hayan entendido los peligros involucrados. Los niños no deben jugar con el limpiador.
- El aparato debe usarse y almacenarse fuera del alcance de niños y animales. El uso inadecuado del mismo puede provocar lesiones y descargas eléctricas.
- Mantenga el material de embalaje fuera del alcance de niños y animales. ¡Peligro de lesiones personales y asfixia!
- Nunca apunte vapor directamente a personas, animales o plantas. Esto puede causar quemaduras



severas.

- Cuando esté utilizando su limpiador a vapor sosténgalo solo por el asa. ¡Existe peligro de quemaduras!
- Nunca deje el limpiador desatendido cuando esté conectado a la red eléctrica.
- Después de usar el aparato, tenga en cuenta que algunos accesorios pueden estar muy calientes. Por lo tanto, para manipularlo o separarlo espere unos minutos hasta que se haya enfriado por completo.
- ¡Peligro de quemaduras! Siempre deje que el limpiador se enfríe por completo antes de verter o sacar agua, limpiarlo y/o guardarlo. Nunca intente abrir el depósito de agua durante el uso y siempre asegúrese de que el mismo esté firmemente cerrado antes de usar el limpiador a vapor.
- Asegúrese de que el cable de alimentación conectado no presente un peligro de tropiezo.
- Este aparato puede ser utilizado por niños de al menos 8 años de edad, siempre que cuenten con supervisión y hayan recibido instrucciones sobre el uso seguro del electrodoméstico y sean plenamente conscientes de los peligros que implica.
- La limpieza y mantenimiento de la máquina no debe ser efectuada por niños a menos que tengan como mínimo 8 años de edad y cuenten con la supervisión de un adulto.
- Mantenga el aparato y su cable eléctrico fuera del alcance de niños de menos de 8 años.
- Al utilizar equipos eléctricos, siempre se deben tomar precauciones de seguridad para evitar el riesgo de incendio, descarga eléctrica y/o lesiones en caso de uso

indebido.

- Asegúrese de que la tensión de la placa de características corresponde a la tensión de red de su instalación. Si no es así, póngase en contacto con el distribuidor y no conecte la unidad.
- Por favor, tenga este documento a mano y entréguelo al futuro propietario en caso de regalar su producto.
- El dispositivo no está diseñado para ser operado por medio de un temporizador externo o un sistema de control remoto.

### **Peligro de incendio**

- No use el limpiador a vapor en habitaciones que contengan polvo fácilmente inflamable o vapores tóxicos y explosivos.
- No inserte nada en las aberturas del aparato y asegúrese de que no se obstruyan.

### **Peligro de descarga eléctrica**

- El limpiador a vapor solo debe conectarse a la corriente instalado correctamente y fácilmente accesible. Siempre verifique que la tensión de su red eléctrica coincida con la indicada en la placa de características del aparato. Puede usar cables de extensión siempre que cumplan las exigencias técnicas del limpiador a vapor.
- Siempre enchufe el cable a un tomacorriente de pared debidamente instalado con conexión a tierra. No

intente eludir la conexión a tierra.

- ¡Nunca sumerja el limpiador en agua u otros líquidos! Si el aparato cae dentro del agua, desconecte el cable de alimentación inmediatamente. ¡Nunca trate de sacar el mismo del agua estando conectado a la corriente!
- Nunca toque su limpiador a vapor, el cable de alimentación o el enchufe con las manos mojadas estando conectado a la corriente.

- El vapor no debe apuntar directamente a equipos eléctricos, cables de alimentación o piezas que contengan componentes eléctricos (por ejemplo, hornos, refrigeradores, interruptores y luces interiores, hornos de microondas, pantallas).

- Debe desconectar el enchufe del tomacorriente después de cada uso y antes de retirar/cambiar un accesorio, rellenar/vaciar el depósito de agua o llevar a cabo cualquier acción de mantenimiento. No tire del cable para desconectarlo del tomacorriente, hágalo agarrando firmemente el enchufe.

- Úselo únicamente en habitaciones cerradas.

- Para su propia seguridad, siempre revise el limpiador a vapor antes de ponerlo en funcionamiento. Use el mismo solo cuando esté completamente ensamblado y en funcionamiento ¡No lo utilice si se ha caído, si hay signos evidentes de daños visibles o si tiene fugas!

- En caso de daños/fallas, apague el limpiador inmediatamente.

- Nunca intente reemplazar las piezas dañadas o reparar el aparato, el cable de alimentación o el tomacorriente usted mismo. Póngase en contacto con el

centro de atención al cliente o distribuidor especializado más cercano. Las reparaciones incorrectas pueden causar lesiones personales y daños a la propiedad.

- No use este aparato si su cable de alimentación o enchufe están dañados, si no está funcionando correctamente, está en mal estado o se ha caído. Si el cable de alimentación está deteriorado deberá ser remplazado por el fabricante, su personal técnico o un especialista similar para evitar riesgos potenciales.

### **Precauciones con el limpiador a vapor**

- Coloque el cable de alimentación de forma que no quede aplastado, ni doblado y no entre en contacto con superficies calientes.
- Asegúrese de que el depósito de agua esté lleno de agua, ya que, de lo contrario, la bomba de agua podría dañarse y la vida útil del aparato podría acortarse.
- No coloque ningún objeto pesado sobre el limpiador, el cable o el enchufe.
- No arrastre, recoja o levante el limpiador tirando del cable de alimentación.
- Utilice únicamente piezas de repuesto y accesorios distribuidos o recomendados por el fabricante.
- Nunca vierta ningún agente de limpieza u otros productos químicos en el limpiador a vapor. Esto podría destruirlo y el trabajo seguro ya no estaría garantizado.
- Nunca cubra las aberturas de salida de vapor y no acerque ningún objeto a ellas.
- Para evitar daños mantenga su limpiador lejos de fuentes de calor como encimeras y hornos.
- Evite que el limpiador se caiga y no lo someta a vibraciones fuertes.

- No exponga el limpiador o los accesorios a temperaturas extremas, fuego abierto, luz solar directa o humedad.
- Siempre limpie primero lugares pequeños.
- Nunca dirija el vapor a un punto por mucho tiempo.
- Nunca use el limpiador en superficies de vidrio frío (a temperaturas inferiores a 10°C). El vapor caliente podría hacer que el vidrio se rompa.
- Cuidado cuando use el limpiador en superficies tratadas con cera, ¡el calor y el vapor pueden eliminar la cera!
- No utilice productos de limpieza corrosivos o abrasivos (por ejemplo, vinagre) para limpiar el aparato.
- Almacene su limpiador a vapor una vez que se haya enfriado por completo y no haya más agua en el depósito.
- Guarde su limpiador a vapor en un lugar seco y limpio que no sea accesible para niños y animales.

## **Uso apropiado**

- El limpiador a vapor está diseñado exclusivamente para eliminar la suciedad con vapor de agua. Es adecuado para limpiar las siguientes áreas: superficies lisas (por ejemplo, áreas de trabajo, azulejos, ventanas o espejos), áreas de difícil acceso (por ejemplo, esquinas, juntas, persianas, inodoros o accesorios) y textiles (por ejemplo, cortinas, cojines, prendas de vestir y asientos de coche).
- El limpiador a vapor está diseñado para uso doméstico y no es adecuado para fines comerciales.
- El limpiador a vapor no está diseñado para usarse al aire libre o con líquidos que no sean agua.
- Utilice únicamente el limpiador a vapor como se describe en este manual de instrucciones. Cualquier otro

uso se considera inapropiado y puede resultar en daños al aparato o incluso lesiones personales.

- El limpiador a vapor no es un juguete para niños.
- El fabricante o vendedor no acepta ninguna responsabilidad por los daños causados por un uso inadecuado o incorrecto.

## **Atención**

- Deje que los accesorios se enfríen antes de quitarlos.
- No utilice el limpiador a vapor si se ha caído, si hay signos evidentes de daños visibles o si tiene fugas.
- Mantenga el limpiador a vapor fuera del alcance de los niños si está encendido o se está enfriando.
- Al eliminar sustancias que son perjudiciales para la salud, utilice guantes, gafas protectoras y protección respiratoria.
- Nunca apunte el chorro de vapor directamente a personas o animales. ¡El vapor caliente puede provocar lesiones graves!
- Primeramente, compruebe en un área poco visible si el material que desea limpiar es resistente al agua y al calor. Tenga en cuenta que:
  - El vapor puede hacer que la madera o el cuero barnizados se deterioren.
  - La madera desprotegida puede hincharse.
  - El vapor puede eliminar las capas protectoras de cera.
  - Los plásticos pueden cambiar de color si se exponen al vapor.
  - Los plásticos blandos pueden deformarse si se exponen al vapor.

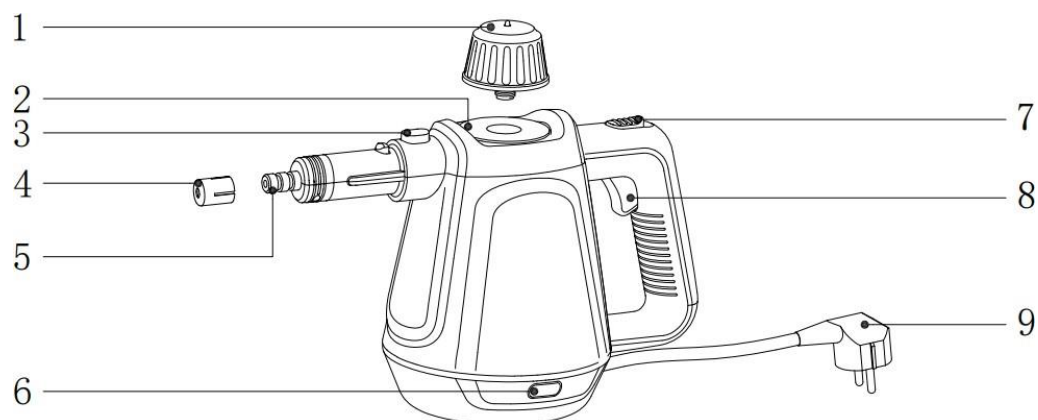
- Las superficies frías de vidrio o espejo podrían explotar si se exponen al vapor.
- Si desea limpiar superficies de vidrio, primero debe calentarlas, por ejemplo, aplique vapor a una distancia mayor y luego desde una distancia más cercana.
- El acrílico, el terciopelo y el satén son sensibles al vapor caliente al igual que el plástico.
  
- Asegúrese de que el cable de alimentación no entre en contacto con partes calientes.
- Nunca exponga el limpiador a vapor a altas temperaturas (calentadores, hornillas, etc.), ni a los efectos del clima (lluvia, nieve, etc.).
- Nunca llene el limpiador a vapor con otros líquidos que no sean agua.
- Nunca sumerja el limpiador a vapor en agua para limpiarlo y no utilice otro limpiador a vapor para limpiarlo. De lo contrario, el limpiador a vapor podría dañarse.
- En ningún caso coloque el limpiador a vapor o las piezas individuales en el lavavajillas. Sería destruido.
- Deje de usar el limpiador a vapor si sus piezas de plástico presentan grietas, roturas o deformaciones. Sustituya únicamente las piezas dañadas por repuestos originales.
- No opere el limpiador a vapor con el depósito de agua vacío. Una vez que se haya agotado el depósito de agua, desenchúfelo del tomacorriente para evitar que se sobrecaliente.

## MÁQUINA PRINCIPAL Y ACCESORIOS

Embudo ×1		Taza medidora ×1	
Juego de toallas ×1		Cepillo para vidrios ×1	
Boquilla grande ×1		Manguera de extensión ×1	
Cepillo de nailon ×1		Cepillo inoxidable ×1	
Cepillo para pisos ×1		Conector para el cepillo de pisos ×1	
Tubo de extensión ×3		Toalla para el cepillo de pisos ×1	



## DESCRIPCIÓN DEL PRODUCTO



No.	Nombre	Función
1.	Tapa de seguridad	Mantener la presión y bloquear el agujero de llenado
2.	Agujero de llenado	Llenar el interior del aparato de agua
3.	Bloqueo de accesorios	Sujetar los accesorios, presiónelo para quitar los accesorios
4.	Gorra de protección	Proteger la junta tórica
5.	Boquilla de vapor	Para salir el vapor
6.	Luz indicadora	Rojo significa calentamiento, verde significa mayor presión
7.	Bloqueo para niños	Botón de bloqueo de vapor/liberación automática de vapor
8.	Gatillo de vapor	Controlar el vapor que sale
9.	Enchufe	Conéctelo a un tomacorriente para proporcionar energía al aparato

## OPERACIÓN

1. Coloque el limpiador a vapor encima de una superficie estable y abra la tapa de seguridad.
2. Use la taza medidora para verter el agua. El volumen máximo es de 400 ml. Le sugerimos que solo utilice de 300 a 350 ml para obtener el vapor seco. Si hay más de 350 ml de agua, es posible que salga agua en el vapor durante los primeros 2 minutos.



### Cuidados especiales:

- \* Utilice agua limpia (pequeñas partículas sólidas pueden bloquear la salida de vapor y hacer que el aparato falle)
  - \* No vierta ningún producto químico como alcohol o agentes de limpieza en el limpiador a vapor (algunos solventes químicos pueden causar fallas en el aparato e incluso poner en peligro la seguridad personal del usuario)
  - \* Si el agua del grifo en su área es muy dura, se recomienda que mezcle el agua del grifo con agua destilada. De lo contrario, el limpiador a vapor podría calcificarse prematuramente y obstruir la boquilla de vapor.
  - \* No agregue menos de 150 ml de agua.
3. Cierre la tapa de seguridad y enrésquela en sentido anti-horario.
  4. Inserte el enchufe en el tomacorriente, la luz roja se iluminará indicando que el agua se está calentando. Cuando el limpiador a vapor esté listo para uso, la luz indicadora verde se encenderá. La luz indicadora roja se encenderá/apagará varias veces durante el uso.

**Atención:** Utilice el limpiador a vapor solo cuando la luz indicadora verde se ilumine por primera vez, de lo contrario, se rociará agua caliente.

5. Gire el seguro para niños a la posición "ON", luego presione el gatillo de vapor. El vapor se lanzará directamente. Recuerde que siempre debe presionar el gatillo de vapor. Una vez que suelte el gatillo de vapor, el seguro para niños volverá a la posición "OFF" automáticamente y el vapor se detendrá.

**Atención: Si no gira el bloqueo para niños a la posición “ON” el gatillo de vapor no funciona.**

Cuando el agua en el depósito de agua se acabe, no saldrá más vapor al presione el gatillo de vapor. Rellene el depósito de agua de la siguiente manera:

1. Desconecte el enchufe del tomacorriente.
2. Presione el gatillo de vapor hasta que no salga más vapor.
3. Espere de 12 a 18 minutos para que se enfríe.
4. Desenrosque lentamente la tapa de seguridad y espere unos segundos
5. Llene lentamente el depósito de agua.
6. Enrosque nuevamente la tapa de seguridad.

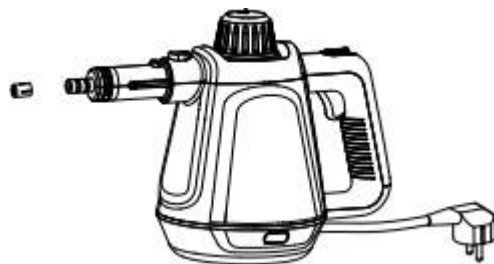
Si el agua del grifo en su área es muy dura, se recomienda que mezcle el agua del grifo con agua destilada. De lo contrario, el limpiador a vapor podría calcificarse prematuramente y obstruir la boquilla de vapor.

6. Después del uso, desconecte el limpiador a vapor, libere todo el vapor residual y espere a que el aparato se enfríe.

El limpiador a vapor tiene una protección contra sobrecalentamiento. Se apagará automáticamente si se sobrecalienta (por ejemplo, cuando el depósito de agua está vacío).

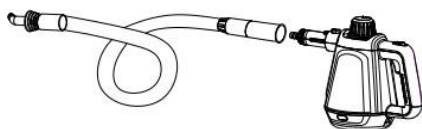
## USO DE ACCESORIOS

**Nota:** Antes de añadir cada accesorio en la unidad, por favor quite la tapa de la boquilla primero. La función de esta tapa es evitar la fuga de vapor por la pérdida de la junta tórica.



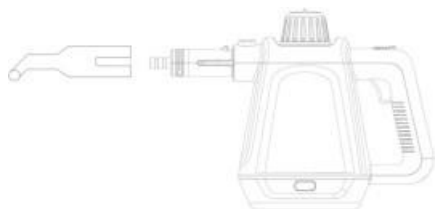
### 1. Manguera de extensión:

Si tiene problemas para alcanzar ciertas áreas con el limpiador a vapor, puede usar la manguera de extensión. El método de funcionamiento es el siguiente: conecte el extremo de la manguera a la boquilla de vapor hasta escuchar un clic.



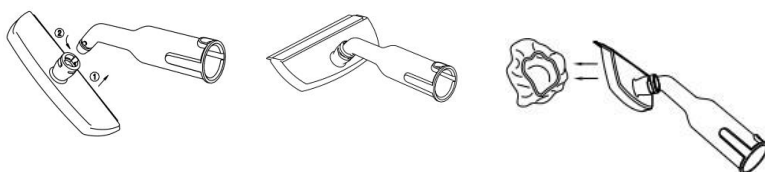
## 2. Boquilla grande:

La boquilla grande se puede usar para limpiar las esquinas de manera más fácil, conéctela a la boquilla de vapor como si fuera una manguera de extensión.



## 3. Cepillo para vidrios:

Inserte la boquilla grande en la muesca del cepillo para vidrios (imagen 1) y gírela en el sentido de las agujas del reloj hasta que haga clic (imagen 2). Después de su uso, saque el cepillo para vidrios girándolo en sentido anti-horario. Para limpiar una mesa, un sillón, un estante o planchar ropas, coloque una toalla blanca en el cepillo para vidrios.



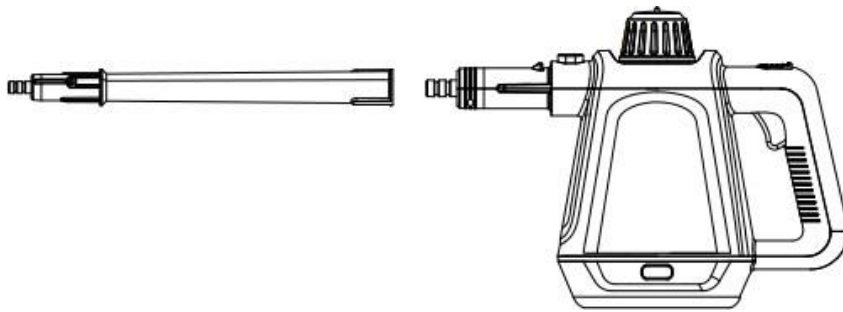
## 4. Cepillo de nailon o inoxidable:

Inserte la boquilla grande en la muesca del cepillo redondo (imagen 1) y gírela en el sentido de las agujas del reloj hasta que haga clic (imagen 2). Después de su uso, saque el cepillo girándolo en sentido anti-horario.



## 5. Tubo de extensión:

Si tiene problemas para alcanzar algunas áreas de limpieza o se usa el limpiador a vapor para limpiar pisos y vidrios en un lugar alto, utilícelo con un tubo de extensión. El método de operación es el siguiente: conecte el extremo del tubo de extensión a la boquilla de vapor hasta que esté firme y escuche un sonido de clic indicando que la instalación se completó.



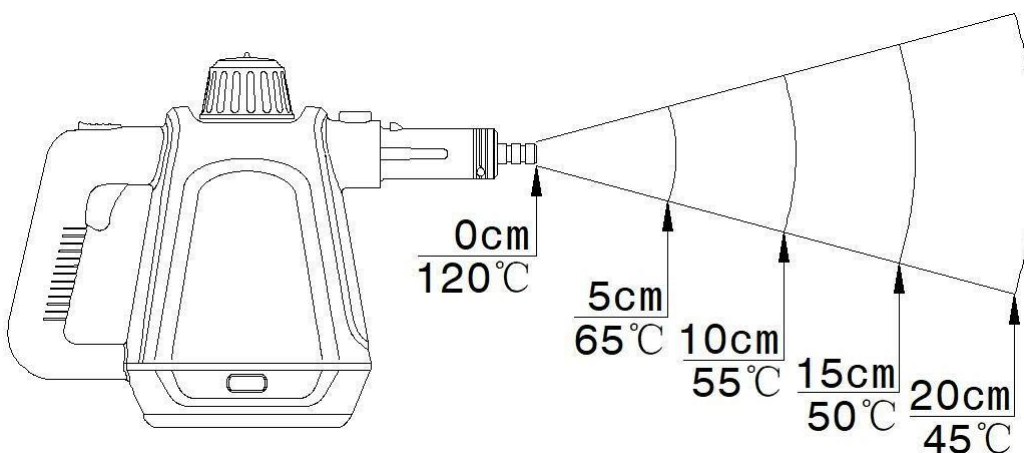
#### 6. Cepillo para pisos y toalla para el cepillo de pisos:

Para limpiar el piso, conecte dos o tres tubos de extensión. Instale el cepillo para pisos en el otro extremo del tubo de extensión. Conecte el tubo de extensión directamente al conector del cepillo para pisos, abra los clips en los dos lados del cepillo y fije la toalla.



#### TEMPERATURA DEL VAPOR

Los siguientes datos son para referencia de los usuarios. Es posible ajustar el método de operación para lograr un mejor rendimiento de limpieza.



**Atención:** Los datos anteriores son medidos en el laboratorio, puede ocurrir una pequeña desviación en la práctica.

## **LIMPIEZA**

1. Antes de realizar cualquier tarea de limpieza, desconecte el cable de alimentación del tomacorriente.
2. Deje que el limpiador a vapor se enfríe completamente.
3. Limpie el aparato y los accesorios con un paño húmedo y déjelos secar completamente.

## **ALMACENAMIENTO**

Todas las piezas deben estar completamente secas antes de ser almacenadas.

- Guarde siempre el limpiador a vapor en un lugar seco, limpio y sin polvo.
- Guarde el limpiador a vapor bajo llave para que no sea accesible a los niños.

## SOLUCIÓN DE PROBLEMAS

Problema	Causa	Solución
No se produce vapor	El enchufe no está insertado correctamente en la corriente.	Inserte el enchufe correctamente o cámbielo.
	No hay agua en el depósito.	Adicione agua en el depósito.
	No colocó el bloqueo para niños en la posición "ON".	Ajuste el bloqueo para niños.
	Otro problema.	Acuda al servicio profesional.
Solo la luz verde enciende, la luz roja siempre está apagada	Luz indicadora rota o cortocircuito de línea.	Acuda al servicio profesional.
Solo la luz roja enciende, la luz verde siempre está apagada	La línea eléctrica interior está defectuosa o el termostato está roto.	Acuda al servicio profesional.
Luz roja parpadeando	Falta de agua o mala conexión.	Si el problema persiste después de llenar el depósito de agua, acuda al servicio profesional.
Sale agua por la boquilla de vapor	Puede que salga agua del limpiador cuando empiece a usarlo.	Esto es normal y no constituye un defecto. Si el problema persiste, acuda al servicio profesional.
Otros	Sale vapor por la junta de la boquilla.	Acuda al servicio profesional.
	Fenómeno de ablandamiento y deformación plástica.	
	No se pueden utilizar otros equipos eléctricos.	
	Sale vapor por la válvula de seguridad.	
	Después de la liberación de vapor, no se puede abrir la válvula de seguridad.	

## **GARANTÍA**

El periodo de garantía de nuestros productos es de 2 años, salvo que la ley estipule lo contrario, a partir de la fecha de la compra inicial o de la fecha de entrega.

Si tiene algún problema o pregunta, puede acceder fácilmente a nuestras páginas de ayuda, consejos para solucionar problemas, preguntas frecuentes y manuales de usuario en nuestro sitio de servicio: <https://sav.hkoenig.com>.

Al escribir el nombre de referencia de su dispositivo en la barra de búsqueda, puede acceder a toda la asistencia en línea disponible, diseñada para satisfacer mejor sus necesidades.

Si sigue sin encontrar una respuesta a su pregunta o problema, haga clic en "¿La respuesta ha resuelto su problema? Esto le llevará al formulario de solicitud de asistencia posventa, que puede rellenar para validar su solicitud y obtener ayuda.

## **CONDICIONES DE GARANTÍA**

La garantía cubre todos los fallos que se produzcan en el contexto de un uso normal, de acuerdo con los usos y especificaciones del manual de usuario.

Esta garantía no se aplica a los problemas de embalaje o transporte durante el envío del producto por parte del propietario. Tampoco incluye el desgaste normal del producto, ni el mantenimiento o la sustitución de piezas consumibles.

## **EXCLUSIÓN DE GARANTÍA**

- Accesorios y piezas de desgaste (\*).
- Mantenimiento normal del aparato.
- Todas las averías derivadas de un uso incorrecto (golpes, incumplimiento de las recomendaciones de alimentación eléctrica, malas condiciones de uso, etc.), de un mantenimiento insuficiente o de un mal uso del aparato, así como del uso de accesorios inadecuados.
- Daños de origen externo: incendio, daños por agua, sobrecarga eléctrica, etc.
- Cualquier equipo que haya sido desmontado, incluso parcialmente, por personas que no estén autorizadas a hacerlo (en particular el usuario).
- Productos cuyo número de serie falte, esté dañado o sea ilegible, lo que no permitiría su identificación.
- Productos sujetos a alquiler, demostración o exposición.

(\*). Algunas piezas de su aparato, conocidas como piezas de desgaste o consumibles, se deterioran con el tiempo y la frecuencia de uso de su aparato. Este desgaste es normal, pero puede acentuarse por las malas condiciones de uso o de mantenimiento de su aparato. Por lo tanto, estas piezas no están cubiertas por la garantía.



Los accesorios suministrados con el aparato también están excluidos de la garantía. No se pueden cambiar ni reembolsar. No obstante, algunos accesorios pueden adquirirse directamente en nuestro sitio web: <https://sav.hkoenig.com/>

## MEDIO AMBIENTE

### ATENCIÓN:



No se deshaga de este producto como lo hace con otros productos del hogar. Existe un sistema selectivo de colecta de este producto puesto en marcha por las comunidades, debe de informarse en su ayuntamiento acerca de los lugares en los que puede depositar este producto. De hecho, los productos eléctricos y electrónicos pueden contener sustancias peligrosas que tienen efectos nefastos para el medio ambiente o para la salud humana y deben ser reciclados. El símbolo aquí presente indica que los equipos eléctricos o electrónicos deben de ser cuidadosamente seleccionados, representa un recipiente de basura con ruedas marcado con una X.

Adeva SAS / H.Koenig Europe - 8 rue Marc Seguin, 77290 Mitry-Mory, France  
[www.hkoenig.com](http://www.hkoenig.com) - [sav@hkoenig.com](mailto:sav@hkoenig.com) - [contact@hkoenig.com](mailto:contact@hkoenig.com) - Tél: +33 1 64 67 00 05

# ITALIANO

Caro cliente:

Grazie per aver scelto di utilizzare i nostri prodotti. Per un funzionamento semplice, seguire attentamente le istruzioni riportate di seguito.

A causa di continui miglioramenti del prodotto, i prodotti ricevuti potrebbero non essere esattamente gli stessi delle immagini sulle istruzioni. Ci scusiamo del disagio.

Conservare il manuale in luogo di facile accesso per l'utente. Se trasferite o cedete questo prodotto ad altre persone, assicuratevi di allegare questo manuale all'apparecchio.

Questo manuale utente accompagna il pulitore a vapore e contiene importanti informazioni sulla configurazione e l'utilizzo del prodotto.

Questo vale in particolare per le istruzioni di sicurezza. La mancata osservanza di queste precauzioni può causare lesioni personali o danni al pulitore a vapore.

## Destinazione d'uso

. Questo apparecchio può essere usato da persone con ridotte capacità fisiche, sensoriali o mentali o con mancanza di esperienza o conoscenza, a condizione che siano sorvegliate o istruite sull'uso sicuro dell'apparecchio e che comprendano pienamente i potenziali pericoli.

. Il dispositivo non è adatto per superfici sensibili al calore e umidità, per esempio carta da parati, velluto, seta, oggetti incollati, superfici di legno non sigillate e/o cera, plastica morbida, pelle e vetro freddo (con temperature esterne inferiori a 10 ° C ).

. Il dispositivo non è adatto per la pulizia di apparecchiature elettroniche e oggetti fragili.

. L'apparecchio è solo per uso personale e non è indicato per applicazioni industriali.

. Utilizzare l'apparecchio solo come descritto nelle

istruzioni. Ogni altro uso è da considerarsi improprio.

• La garanzia non copre i guasti causati da movimentazione, danni, calcificazione o tentativi di riparazione non corretti. Questo vale anche per la normale usura.

## **Istruzioni di sicurezza**

### Pericoli di lesioni

• Questo dispositivo può essere utilizzato da persone con disabilità fisiche, sensoriali o mentali ridotte o senza di esperienza e/o conoscenza se sono sorvegliate o hanno ricevuto istruzioni su come utilizzare il dispositivo in modo sicuro e ne comprendono i pericoli derivanti. I bambini non devono giocare con questo dispositivo.

• Il dispositivo deve essere utilizzato e conservato fuori dalla portata di bambini e animali. L'uso improprio può causare ustioni e scosse elettriche.

• Tenere i bambini e gli animali lontano dalla pellicola di confezionamento. Pericolo di soffocamento!

• Non dirigere mai il vapore direttamente su persone, animali o piante. Può causare gravi ustioni.

• Tenere il dispositivo solo per la maniglia quando è in uso. Pericolo di scottature!

• Non lasciare il dispositivo incustodito quando è collegato alla rete elettrica.

• Subito dopo l'uso, l'accessorio utilizzato può essere ancora molto caldo. Si dovrebbe quindi attendere per qualche minuto fino a quando non si sia completamente raffreddato prima di staccarlo.

• Pericolo di scottature! Consentire sempre al

dispositivo di raffreddarsi completamente prima di versare l'acqua dentro o fuori e/o prima della pulizia del dispositivo e prima di riporlo via. Non tentare mai di aprire il serbatoio dell'acqua durante l'uso. Verificare sempre che il serbatoio dell'acqua sia saldamente chiuso prima di usare il dispositivo.

- Assicurarsi che il cavo di rete collegato non presenti un pericolo.
- Questo apparecchio può essere utilizzato da bambini a partire da 8 anni, purché sorvegliati e istruiti all'uso sicuro dell'apparecchio e pienamente a conoscenza dei pericoli che comporta.
- La pulizia e la manutenzione non devono essere eseguite da bambini a meno che abbiano più di 8 anni e siano sorvegliati da un adulto.
- Conservare l'apparecchio e il cavo d'alimentazione fuori dalla portata di bambini di età inferiore a 8 anni.
- Quando si utilizzano apparecchiature elettriche, è necessario adottare sempre misure di sicurezza per prevenire il rischio di incendi, scosse elettriche e/o lesioni in caso di uso improprio.
- Accertarsi che la tensione nominale sulla targhetta corrisponda alla tensione principale della vostra installazione. In caso contrario, contattare il rivenditore e non collegare l'unità.
- Si prega di tenere questo documento a portata di mano e di consegnarlo al futuro proprietario in caso di trasferimento del dispositivo.
- Il dispositivo non è destinato ad essere azionato da un timer esterno o da un sistema di controllo remoto.

## **Pericolo d'incendio**

- Non utilizzare il dispositivo in ambienti con presenza

di polvere facilmente infiammabile o vapori tossici ed esplosivi.

- Non inserire oggetti nelle aperture del dispositivo e fare in modo che queste non vengano ostruite.

Il vostro apparecchio è stato progettato esclusivamente per un uso domestico. Non è destinato all'uso nelle seguenti situazioni che non sono coperte dalla garanzia:

- in cucine per il personale in negozi, uffici e altri ambienti professionali,
- in ostelli agricoli,
- da ospiti in hotel, motel e altri ambienti residenziali,
- in ambienti tipo bed and breakfast.

### **Pericolo di scossa elettrica**

- Il dispositivo deve essere collegato solo ad una presa installata con contatti di sicurezza. La presa di corrente deve essere facilmente accessibile dopo il collegamento. La tensione di rete deve corrispondere ai dati tecnici del dispositivo. Utilizzare solo prolunghe adatte i cui dati tecnici siano uguali a quelli del dispositivo.

- Questo dispositivo deve avere messa a terra quando viene collegato. Usare solo la spina appropriata. Non cercare di evitare la messa a terra.

- Mai immergere il dispositivo in acqua o altri liquidi! Assicurarsi che il dispositivo, il cavo o la spina non siano in acqua o siano bagnati. Se il dispositivo cade in acqua, disinserire immediatamente l'alimentazione. Solo allora è possibile rimuoverlo dall'acqua.

- Non toccare mai l'apparecchio, il cavo o la spina con le mani bagnate per evitare scosse elettriche.

- Il vapore non deve essere rivolto direttamente al materiale elettrico, cavi o parti elettriche (ad esempio all'interno di forni, frigoriferi, interruttori e luci, forni a microonde, schermi).
- Estrarre la spina dopo ogni uso prima di rimuovere / cambiare accessorio, riempire / svuotare il serbatoio dell'acqua o pulire il dispositivo. staccare sempre la spina e mai il cavo.
- Usare il dispositivo solo in ambienti chiusi.
- Controllare sempre che il dispositivo non abbia danni prima della messa in funzione. Utilizzare il dispositivo solo quando è completamente montato e operativo. Il dispositivo non deve essere utilizzato se ci sono danni evidenti o se ha perdite.
- In caso di danni / guasti, spegnere l'apparecchio immediatamente.
- Non tentare mai di riparare l'apparecchio, il cavo d'alimentazione o la spina da soli o sostituire le parti. Se ci sono difetti, il dispositivo non può più essere utilizzato. Contattate il centro assistenza clienti o il più vicino rivenditore / specialistica o, in caso di danni, si prega di contattare il nostro servizio clienti. Le riparazioni fai da te possono causare notevoli rischi per l'utente.
- Non utilizzare l'apparecchio se il cavo o la spina sono danneggiati, se non funziona correttamente o se danneggiato o caduto. Se il cavo d'alimentazione è danneggiato, dev' essere sostituito dal costruttore, da un suo rappresentante o da una persona qualificata al fine di evitare rischi.

**Come evitare danni a materiali, oggetti e dispositivo**

- Posizionare il cavo in modo che non sia schiacciato o piegato e non venga a contatto con superfici calde.
- Avviare dispositivo quando il serbatoio è pieno d'acqua altrimenti la pompa potrebbe danneggiarsi e la durata utile del dispositivo può accorciarsi.
- Non appoggiare oggetti pesanti sul dispositivo, il cavo o la spina.
- Non tirare o trasportare il dispositivo dal cavo.
- Non utilizzare altri accessori. Usare solo accessori originali.
- Non versare alcun detergente o altri additivi chimici nel dispositivo. Questo potrebbe comprometterne il funzionamento e la sicurezza non sarebbe più garantita.
- Non coprire le aperture di uscita del vapore e non inserire oggetti al loro interno.
- Mantenere la giusta distanza da fonti di calore, quali piani cottura o forni in modo da non danneggiare il dispositivo.
- Non far cadere il dispositivo e non permettere che venga urtato violentemente.
- Non esporre il dispositivo o gli accessori a temperature estreme, forti sbalzi di temperatura, fuoco, luce solare diretta, e non esporre l'alloggiamento del dispositivo a qualsiasi umidità o condizioni bagnate.
- Effettuare sempre un test di pulizia in un punto piccolo e non visibile.
- Non dirigere mai il vapore in uno stesso puntotroppo a lungo.
- Non utilizzare il dispositivo su superfici di vetro fredde (a temperature inferiori a 10 ° C). Il vapore caldo potrebbe causare la frantumazione del vetro.
- Nel caso di superfici trattate con cera, il calore e il

vapore possono rimuovere la cera!

- Non utilizzare agenti caustici o abrasivi per la pulizia (ad esempio aceto) o tamponi di pulizia per pulire il dispositivo.
- Riporre il dispositivo solo quando è completamente raffreddato e non c'è più acqua nel serbatoio dell'acqua.
- Conservare il dispositivo in un luogo asciutto e pulito che non è accessibile ai bambini e agli animali.

## **Uso corretto**

Il pulitore a vapore è progettato solo per rimuovere lo sporco con il vapore acqueo. Ad esempio: è adatto per la pulizia delle seguenti aree: superfici lisce (es. Aree di lavoro, piastrelle, piastrelle smaltate, finestre o specchi), zone difficili da raggiungere (es. Angoli, stuccature, persiane, WC, raccordi) e tessuti (ad es. tende, cuscini, articoli di abbigliamento e sedili per auto).

Il pulitore a vapore è pensato solo per uso privato e non è adatto per scopi commerciali. Il pulitore a vapore non è destinato all'uso all'aperto o all'uso con liquidi diversi dall'acqua.

Utilizzare il pulitore a vapore solo come descritto in questo manuale utente. Qualsiasi altro uso è considerato improprio e può provocare danni alla proprietà o anche lesioni personali.

Il pulitore a vapore non è un giocattolo per bambini.

Il produttore o il venditore non si assumono alcuna responsabilità per danni causati da un uso improprio o errato.






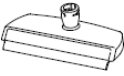








## **Attenzione:**

- Lasciare raffreddare gli accessori utilizzati prima di rimuoverli.
- Non utilizzare il pulitore a vapore se è caduto, se ci sono eventuali danni apparenti o se perde.
- Tenere il pulitore a vapore fuori dalla portata dei bambini se è acceso o si sta raffreddando.
- Indossare guanti, occhiali protettivi e protezioni respiratorie quando si tenta di rimuovere sostanze nocive per la Salute.
- Non puntare il getto di vapore su altre persone o animali. Il vapore caldo può provocare gravi lesioni!
- In primo luogo testare l'apparecchio su una zona poco appariscente per capire se il materiale che si intende pulire è adatto per la pulizia a vapore pulitore ad esempio:
  - Il vapore potrebbe far sbiadire il legno laccato o la pelle.
  - Il legno non protetto potrebbe gonfiarsi.
  - Il vapore potrebbe rimuovere strati protettivi di cera.
  - La plastica potrebbe colorarsi se esposta al vapore.
  - La plastica morbida potrebbe deformarsi se esposta al vapore.
  - Le superfici fredde di specchi o vetri potrebbero esplodere se esposte al caldo del vapore.
- Se desideri pulire le finestre, è necessario prima riscaldarle,

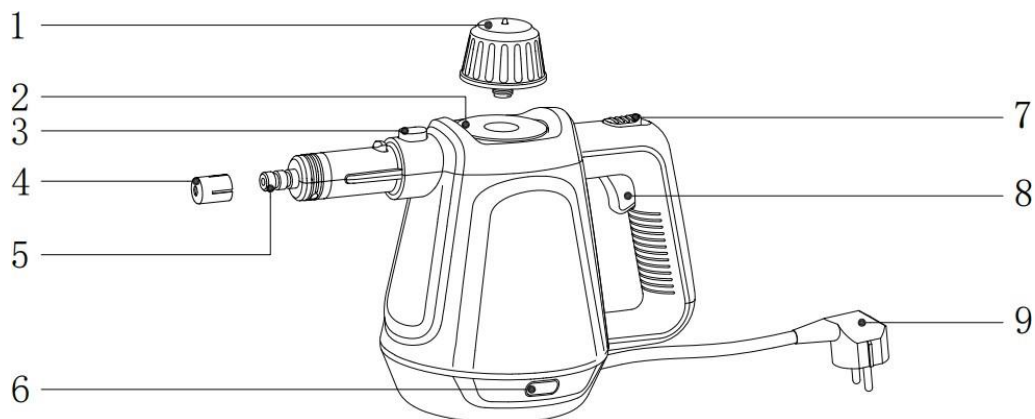
ad esempio applicando vapore su un'area più ampia a una maggiore distanza e poi da una distanza più ravvicinata.

- Acrilico, velluto e raso sono sensibili al vapore caldo così come le fibre di plastica.
- Assicurarsi che il cavo di alimentazione non venga a contatto con parti calde.
- Non esporre mai il pulitore a vapore ad alte temperature (riscaldatori ecc.) o agli agenti atmosferici (pioggia, ecc.).
- Non riempire mai il pulitore a vapore con liquidi diversi dall'acqua.
- Non immergere mai il pulitore a vapore in acqua per pulirlo e non utilizzare un pulitore a vapore per pulirlo. Altrimenti, l'apparecchio potrebbe subire danni.
- Non posizionare in nessun caso il pulitore a vapore o le sue parti in lavastoviglie. Si rovinerebbe. Controllo del pulitore a vapore e del contenuto della confezione 13
- Smettere di usare il pulitore a vapore se le sue parti in plastica presentano crepe, sono rotte o deformate. Sostituire le parti danneggiate solo con ricambi originali corrispondenti.
- Non azionare il pulitore a vapore con il serbatoio vuoto. Una volta che il serbatoio dell'acqua è esaurito, tirare la spina per evitare di surriscaldarlo.

**Macchina principale e accessori:**

Imbuto × 1		Misurino × 1	
Set panni × 1		Spazzola per vetro x 1	
Ugello grande x 1		Tubo di prolunga × 1	
Spazzola in nylon x 1		Spazzola in acciaio x 1	
Spazzola per pavimenti x 1		Raccordo per spazzola pavimenti X1	
Tubo di prolunga x 3		Panno per spazzola pavimenti x1	

## Immagine della struttura del pulitore a vapore



No.	Nome	Funzione
1	Tappo di sicurezza	Mantenere l'equilibrio della pressione & Blocca il foro di riempimento
2	Foro di riempimento	Riempimento acqua
3	Blocco accessori	Utilizzare per il fissaggio di vari accessori di collegamento, premerlo per rimuovere gli accessori
4	Tappo di protezione	Proteggere l'o-ring
5	Uscita vapore	Per uscita vapore
6	Spia	Il rosso significa riscaldamento, il verde significa maggiore pressione
7	Blocco bambini	Pulsante blocco vapore / rilascio vapore automatico
8	Grilletto vapore	Controllare il vapore durante il funzionamento
9	Spina di alimentazione	Collegalo ad una presa per fornire alimentazione

### Funzionamento:

1. Mettere il pulitore a vapore su una superficie piana e aprire il tappo di sicurezza.
2. Utilizzare il misurino per riempire l'acqua. Il volume massimo è 400 ml. è consigliabile riempire solo acqua 300-350ML per ottenere solo vapore. Se si aggiungono più di 350 ml d' acqua, potrebbe esserci fuoriuscita d'acqua nel vapore nei primi 2 minuti.



#### Attenzioni speciali:

- \* si prega di utilizzare acqua pulita (piccole particelle solide possono bloccare il tubo o causare guasti alla macchina)
- \* si prega di non versare sostanze chimiche come alcol, detersivi nel pulitore a vapore. (alcuni solventi chimici possono facilmente causare guasti alla macchina e persino mettere in pericolo la sicurezza personale dell'utente in casi gravi)
- \* Se l'acqua del rubinetto nella vostra zona è molto dura, si consiglia di mescolare l'acqua del rubinetto con acqua distillata. In caso contrario, il pulitore a vapore potrebbe creare calcare e intasare l'ugello del vapore.
- \* Si prega di non aggiungere acqua in quantità inferiore ai 150 ml.

3. Chiudere il tappo di sicurezza in senso antiorario.

4: inserire la spina nella presa, la luce rossa si accenderà indicando l'inizio del riscaldamento.

Non appena il pulitore a vapore è pronto, la spia verde si accende sopra. La spia rossa si accenderà / spegnerà durante l'utilizzo.

#### Attenzione:

- Utilizzare il prodotto solo una volta che la spia verde. Altrimenti, ci potrebbero essere gocciolamenti o spruzzi d'acqua.

Ruotare la serratura per bambini su "on", quindi premere il pulsante del vapore. Il vapore verrà rilasciato direttamente. Ricordare che bisogna sempre tenere premuto il grilletto del vapore. Una volta rilasciato il pulsante del vapore, il blocco bambini tornerà su "OFF" e la fuoriuscita del vapore si arresterà.

**Attenzione: Senza premere il blocco bambini, non è possibile utilizzare il grilletto del vapore.**

. L'acqua deve essere riempita come segue:

1. Estrarre la spina principale dalla presa.
2. Premere il pulsante del vapore finché non fuoriesce più vapore.
3. Attendere il raffreddamento per almeno 12-18 minuti.
4. Svitare lentamente il tappo di sicurezza e attendere alcuni secondi
5. Riempire lentamente il serbatoio dell'acqua con acqua.
6. Chiudere nuovamente il tappo di sicurezza.

Se l'acqua del rubinetto nella vostra zona è molto dura, si consiglia di mescolare l'acqua del rubinetto con acqua distillata. In caso contrario, il pulitore a vapore potrebbe creare calcare e intasare l'ugello del vapore.

Dopo l'uso, spegnere l'alimentazione, rilasciare tutto il vapore residuo e attendere che la macchina si raffreddi.

Il pulitore a vapore ha una protezione contro il surriscaldamento. Si spegnerà automaticamente. Qualora dovesse surriscaldarsi (es. quando il serbatoio dell'acqua è vuoto), spegnere l'apparecchio.

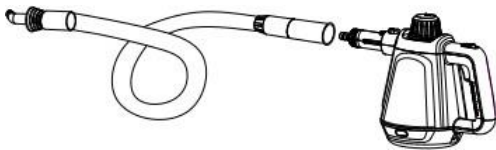
## Istruzioni accessori:

**Nota:** Prima di aggiungere ogni accessorio sull'unità, si prega di togliere prima il tappo sull'ugello. La funzione di questo tappo è di prevenire le perdite di vapore per la perdita dell'o-ring.



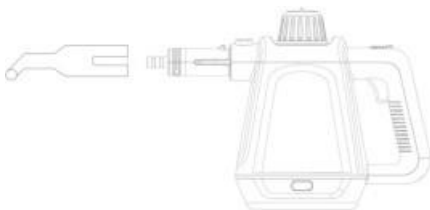
### 1: tubo di prolunga

Se il pulitore a vapore non riesce raggiungere l'area di pulizia, può essere utilizzato con un tubo di prolunga. Il metodo di funzionamento è il seguente: collegare l'estremità del tubo all'uscita del vapore fino a sentire un clic.



### 2: ugello grande

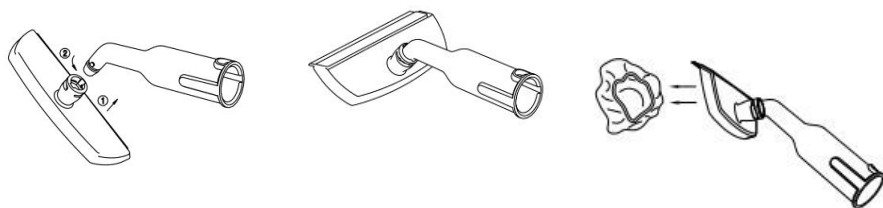
L'ugello grande può essere utilizzato per pulire facilmente gli angoli collegandosi con l'uscita del vapore come un tubo di prolunga.



### 3: Spazzola di vetro

Inserire l'ugello grande nella tacca della spazzola per i vetri (sotto l'immagine 1) e ruotarlo in senso orario finché non scatta (sotto l'immagine 2). Dopo l'uso, estrarre la spazzola di vetro ruotandola in senso antiorario.

Per pulire scrivanie, sedie, librerie o stirare i vestiti, mettere un asciugamano bianco sulla spazzola per i vetri.



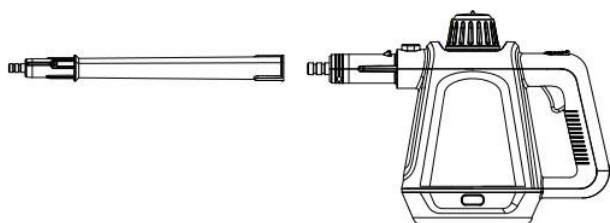
#### 4: Spazzola in nylon e acciaio inossidabile

Inserire l'ugello grande nella tacca della spazzola rotonda (figura 1 sotto) e ruotarlo in senso orario finché non scatta (figura 2 sotto). Dopo l'uso, estrarre la spazzola rotonda ruotandola in senso antiorario.



#### 5: tubo di prolunga

Se il pulitore a vapore non riesce a raggiungere alcune aree di pulizia o viene utilizzato per pulire i pavimenti e i vetri in alto, può essere utilizzato con un tubo di prolunga. Il metodo di funzionamento è il seguente: collegare l'estremità del tubo di prolunga all'uscita del vapore fino a quando il blocco fisso non è completamente inserito nel foro del tubo di prolunga, se sentite un clic significa che l'installazione è completata.





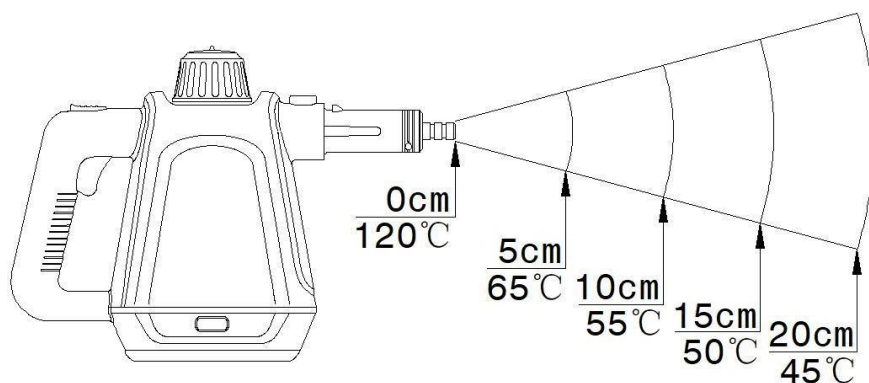
## 6: Spazzola per pavimenti (panno spazzola per pavimenti)

Quando si pulisce il pavimento, collegare due o tre tubi di prolunga insieme alla macchina a vapore. Sull'altra estremità del tubo di prolunga installare spazzola per pavimenti. Il tubo di prolunga si collega direttamente al connettore della spazzola per pavimenti, aprire le clip nei due lati della spazzola per pavimenti e fissare il panno.



### Temperatura del vapore:

I dati di seguito sono un riferimento per gli utenti, è possibile regolare il metodo di funzionamento per ottenere migliori prestazioni di pulizia.



Attenzione: i dati di cui sopra sono misurati dal laboratorio e nella pratica potrebbero esserci delle piccole variazioni.

### Pulizia:

1. Prima di pulire l'apparecchio, estrarre la spina dalla presa.
2. Lasciar raffreddare completamente il pulitore a vapore.
3. Pulire il pulitore e gli accessori con un panno umido.

Quindi lasciare asciugare completamente tutte le parti.

### **Conservazione:**

Tutte le parti devono essere completamente asciutte prima di essere riposte.

- Riporre sempre il pulitore a vapore in un luogo asciutto, pulito e privo di polvere.
- Riporre il pulitore a vapore in un luogo sicuro in modo che non sia accessibile ai bambini.

## Risoluzione dei problemi più comuni

Situazione	Analisi anormale	Soluzione
L'apparecchio non emette vapore	Spina non inserita nella presa di corrente	Reinserire o riparare la presa
	Niente acqua nella caldaia	Aggiungere acqua
	Il pulsante del vapore non viene premuto	Premere sul blocco bambini
	Altro problema	Necessario un intervento professionale
Solo la luce verde è accesa, la luce rossa è sempre spenta	Indicatore luminoso rotto o cortocircuito di linea	Necessario un intervento professionale
La luce rossa è sempre accesa, la luce verde è spenta	La linea elettrica interna è sbagliata o il termostato è rotto	Necessario un intervento professionale
Luce rossa lampeggiante	Mancanza d'acqua o scarsa connessione	Se il problema persiste anche dopo aver riempito l'acqua, chiedere a un servizio professionale
L'ugello perde acqua	Potrebbe esserci dell'acqua nel vapore durante il primo utilizzo o dopo un'interruzione	Fenomeno normale Scomparirà rapidamente
	Influenzare il normale utilizzo	Necessario un intervento professionale
Altri	Il vapore esce dalla lancia	Necessario un intervento professionale
	Deformazioni e plastica che si ammorbidisce	
	Non è possibile utilizzare altre apparecchiature elettriche	
	Il vapore esce dalla valvola di sicurezza	
	Dopo il rilascio del vapore, non è possibile aprire la valvola di sfogo	

## **GARANZIA**

Il periodo di garanzia per i nostri prodotti è di 2 anni, se non diversamente stabilito dalla legge, a partire dalla data di acquisto iniziale o di consegna.

Se avete problemi o domande, potete facilmente accedere alle nostre pagine di aiuto, consigli per la risoluzione dei problemi, FAQ e manuali d'uso sul nostro sito post-vendita: <https://sav.hkoenig.com>.

Digitando il nome di riferimento del tuo dispositivo nella barra di ricerca, puoi accedere a tutto il supporto online disponibile, progettato per soddisfare al meglio le tue esigenze.

Se ancora non riesci a trovare una risposta alla tua domanda o al tuo problema, allora clicca su "La risposta ha risolto il tuo problema? Questo vi porterà al modulo di richiesta di supporto post-vendita, che potete completare per convalidare la vostra richiesta e ottenere aiuto.

## **CONDIZIONI DI GARANZIA**

La garanzia copre tutti i guasti derivanti da un uso normale, in conformità con gli usi e le specifiche del manuale utente.

Questa garanzia non si applica a problemi di imballaggio o di trasporto durante la spedizione del prodotto da parte del proprietario. Non include inoltre la normale usura del prodotto, né la manutenzione o la sostituzione delle parti di consumo.

## **ESCLUSIONE DELLA GARANZIA**

- Accessori e parti soggette a usura (\*).
- Normale manutenzione dell'apparecchio.
- Tutti i guasti derivanti da un uso improprio (urti, mancato rispetto delle raccomandazioni sull'alimentazione, cattive condizioni d'uso, ecc.), da una manutenzione inadeguata o da un uso improprio dell'apparecchio, nonché dall'uso di accessori inadeguati.
- Danni di origine esterna: incendio, danni d'acqua, sovratensione elettrica, ecc.
- Qualsiasi attrezzatura che sia stata smontata, anche parzialmente, da persone diverse da quelle autorizzate a farlo (in particolare l'utente).
- Prodotti per i quali il numero di serie è mancante, danneggiato o illeggibile, il che non permetterebbe la sua identificazione.
- Prodotti soggetti a noleggio, dimostrazione o esposizione.

(\*) Alcune parti del suo apparecchio, note come parti soggette a usura o materiali di consumo, si deteriorano con il tempo e la frequenza d'uso del suo apparecchio. Questa usura è normale, ma può essere accentuata da cattive condizioni d'uso o di manutenzione del vostro apparecchio. Queste parti non sono quindi coperte dalla garanzia.

Anche gli accessori forniti con l'apparecchio sono esclusi dalla garanzia. Non possono essere scambiati o rimborsati. Tuttavia, alcuni accessori possono essere acquistati direttamente dal nostro sito web: <https://sav.hkoenig.com/>.

## AMBIENTE

### ATTENZIONE:



Non gettare quest' apparecchio tra i rifiuti domestici. Per questo tipo di prodotti è fornito dai comuni un sistema di raccolta e ritiro in zona ed è quindi un dovere informarsi per conoscere il giusto smistamento del rifiuto. Infatti, i prodotti elettrici ed elettronici possono contenere sostanze pericolose che hanno effetti dannosi sull'ambiente o sulla nostra salute e quindi devono essere riciclati. Il simbolo al lato indica che le apparecchiature elettriche ed elettroniche fanno parte di una raccolta selettiva e differenziata (rappresentata da un bidone su due ruote sbarrato da una croce).

Adeva SAS / H.Koenig Europe - 8 rue Marc Seguin - 77290 Mitry Mory - France  
[www.hkoenig.com](http://www.hkoenig.com) - [sav@hkoenig.com](mailto:sav@hkoenig.com) - [contact@hkoenig.com](mailto:contact@hkoenig.com) - Tél: +33 1 64 67 00 05



Points de collecte sur [www.quefairedemesdechets.fr](http://www.quefairedemesdechets.fr)  
Privilégiez la réparation ou le don de votre appareil !