

instruction manual

manuel d'instructions

bedienungsanleitung

gebruiksaanwijzing

manual de instrucciones

manual d'uso

hand steamer

défroisseur à main

handdampfer

handstomer

vaporizzatore a mano

vaporizador manual



ENGLISH

IMPORTANT: PLEASE RETAIN YOUR INSTRUCTION BOOK FOR FUTURE USE.

we believe that safe performance is the first priority in any consumer product, so that you, our valued customer can confidently use and trust our products. we ask that any electrical appliance that you use be operated in a sensible fashion with due care and attention placed on the following important operating instructions.

IMPORTANT SAFEGUARDS FOR YOUR SWIFT STEAM GARMENT STEAMER

- This appliance may be used by persons with reduced physical, sensory or mental capabilities or lack of experience or knowledge, provided that they are

supervised or instructed in the safe use of the appliance and that they fully understand the potential hazards.

- Do not operate this appliance if it has a damaged cord or plug, if it is not working properly or if it has been damaged or dropped.

If the supply cord is damaged, it must be replaced by the manufacturer or its service agent or a similarly qualified person in order to avoid a hazard.

- Care should be taken when using the appliance due to the emission of steam.
- Always unplug the garment steamer before attaching or detaching the fabric brush during filling, cleaning and descaling.
- Carefully read all instructions before operating the handheld garment steamer for the first time and save for future reference.
- Any maintenance other than cleaning should be performed at an authorized service centre.

- Remove and safely discard any packaging material and promotional labels before using the garment steamer for the first time.
- To eliminate a choking hazard for young children, remove and safely discard the protective cover fitted to the power plug of this garment steamer.
- Do not place the garment steamer near the edge of a bench or table during operation. ensure that the surface is level, clean and free of water and other substances.
- Always ensure the garment steamer is properly assembled before use. only use the attachments or accessories provided and specified in this book. follow the instructions provided in this book.
- Do not use outdoors or in bathrooms.
- Do not leave the garment steamer unattended when connected or in use.
- If the garment steamer is not used for an extended period, disconnect the garment steamer from the power

outlet.

- Allow the garment steamer to cool completely before storing the garment steamer.
- Always place the garment steamer on its base when storing. do not leave the garment steamer unattended while connected.
- Do not store the garment steamer with water in the water tank. always empty the tank after use.
- Do not touch hot surfaces. this garment steamer allows the user to garment steam with a large flow of steam. high temperatures are generated during use which could cause burns. always position your hands at the neck of the garment steamer when holding it and warn others (especially children) of the possible dangers of burns from steam, hot water or hot parts, especially when garment steaming vertically.
- Store the garment steamer out of reach of children.
- The garment steamer must be used and rested on a

stable surface.

- When placing the garment steamer on its base, ensure that the surface on which the base is placed is stable.
- The garment steamer is not to be used if the garment steamer has been dropped, if there are visible signs of damage or if it is leaking.
- The garment steamer is designed for household use and to be used with the tap water. do not put perfume, vinegar, or other chemicals in the tank. this appliance is not designed to work with these chemicals.
- Do not touch the steam head during use. when using the garment steamer, make sure the steamer head is facing away from you and in an upright position.
- Always test the garment steamer on a small discreet part of the fabric to be steamed to ensure the temperatures is not too high for the fabric.
- To prevent damage to the garment steamer do not use alkaline cleaning agents when cleaning; use a soft cloth

and mild detergent.

- The garment steamer generates high temperature steam. do not touch the steam head during use. when using the garment steamer, make sure the steamer head is facing away from you and is in an upright position.
- The garment steamer incorporates a thermal safety fuse to protect the garment steamer from over-heating. however the garment steamer should not be left unattended while it is connected to the power outlet. special care should always be taken when there are children in the home/vicinity of the garment steamer.
- Do not fill the water tank past the MAX indicator line as this may cause the water to leak.
- There may be leakage from the steam head if the garment steamer temperature is not high enough to vaporize water and create steam. therefore, ensure that the garment steamer is always preheated for 2-3 minutes prior to use.

- Never use the garment steamer while clothes are on the body or direct the steam towards people or animals.
- Do not allow the cord to touch hot surfaces.
- Keep the garment steamer clean. follow the cleaning instructions provided in this book.
- Never use the iron facing towards people because the steam can cause burns.
- The steam must not be aimed directly at electrical equipment, mains cables or parts containing electrical components (for example inside ovens, fridges, switches and lights, microwave ovens, screens).

- **IMPORTANT SAFEGUARDS FOR ALL ELECTRICAL APPLIANCES**

- Fully unwind the power cord before use.
- Connect only to 220- 240V power outlet.

- Do not let the power cord hang over the edge of a bench or table, touch hot surfaces or become knotted.
- To protect against electric shock. do not immerse the power cord, power plug or appliance in water or any other liquid or allow moisture to come in contact with the part. unless it is recommended in the cleaning instructions.
- It is recommended to regularly inspect the appliance. to avoid a hazard, do not use the appliance if power cord, power plug or appliance becomes damaged in any way. return the entire appliance to the nearest authorized service centre for examination and repair.
- This appliance is for household use only. do not use this appliance for anything other than its intended use. do not use in moving vehicles or boats. do not use outdoors.
misuse may cause injury.
- The installation of a residual current device (safety switch) is recommended to provide additional safety

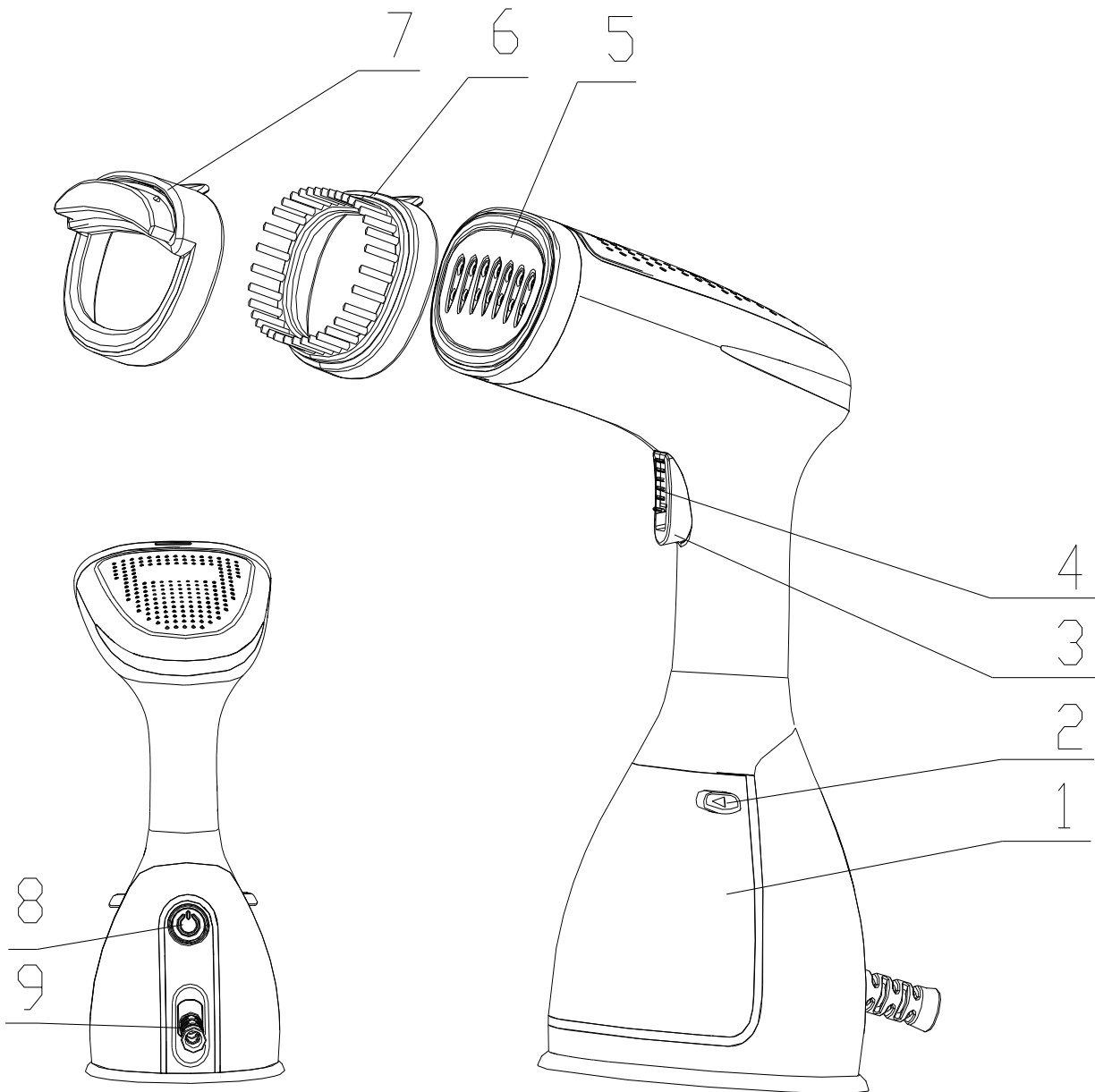
protection when using electrical appliances. it is advisable that a safety switch with a rated residual operating current not exceeding 30mA be installed in the electrical circuit supplying the appliance. see your electrician for professional advice.

- Always turn the appliance to the 'OFF' position, switch off at the power outlet, unplug at the power outlet and remove the power cord, if detachable, from the appliance and allow all parts to cool.
- Do not place this appliance on or near a heat source, such as hot plate, oven or heaters.
- Position the appliance at a minimum distance of 20cm away from walls, curtains and other heat or steam sensitive materials and provide adequate space above and on all sides for air circulation.
- Cleaning and maintenance should not be carried out by children unless they are at least 8 years of age and are supervised by an adult.

- Keep the appliance and its power cord out of reach of children under 8 years of age.
- Your appliance has been designed for domestic use only. It is not intended for use in the following situations which are not covered by the warranty:
 - in staff kitchen areas in shops, offices and other professional environments,
 - in farm hostels,
 - by guests in hotels, motels and other residential environments,
 - in bed and breakfast type environments.
- This appliance may be used by children aged 8 years and over, provided that they are supervised or instructed in the safe use of the appliance and that they fully understand the dangers involved.
- When using electrical appliances, safety precautions should always be taken to prevent the risk of fire, electric shock and/or injury from misuse.
- Check that the voltage indicated on the rating plate of the appliance corresponds to that of your electrical installation. If this is not the case, contact your dealer and do not connect the appliance
- The appliance must not be used if it has been dropped, if there are visible signs of damage or if it is leaking.
- Please keep this document available and hand it over to the future owner if you sell your appliance

- The appliance is not intended to be operated by external timers or a remote control system

YOUR HANDHELD GARMENT STEAMER



1. 280ml big water tank (removable)
2. water tank release button
3. steam button
4. steam lock switch
5. steam head
6. fabric brush (removable)
7. lint brush (removable)
8. power button with power indicator light
9. cord guard

USING YOUR GARMENT STEAMER

Before first use

Remove any sticker or protective cover from the steam head.

Unwind and straighten the cord before use.

When operating the garment steamer for the first time, allow it to steam for a few minutes. this will remove any impurities and odours that might have been left by the manufacturing process.

When operating the garment steamer for the first time, you may want to try the steamer on an old piece of fabric before steamer on an old piece of fabric before steaming your garment.

Warning: to avoid an electrical circuit overload, it is recommended that no other appliances are plugged into the same circuit as your garment steamer when it is in use.

Note: when unpacking the garment steamer, check to see you have received all the items listed in the parts list, before discarding the packaging.

Assembling/operating your garment steamer

1. press the water tank release button, pull out the water tank, open the water inlet cover and fill tap water into the water tank until it reaches the MAXIMUM level (see fig.1).always ensure the water tank is at least a third full. do not exceed the MAXIMUM level when filling the water tank. Put back the water tank .
2. hold the appliance with your hand positioned safely at the neck of the garment steamer. in an upright position, use your other hand to attach the fabric brush onto the steam head. the fabric brush can be attached either way and will lock into position with an audible "click".
3. connect the appliance to a power outlet and switch on. press the power button, the power indicator light will be flashing, appliance began to heating. when the lights stop flashing into long bright, that preheat finished , you can start using. switch OFF the steamer by press the power button. when the appliance is power off the indicator light will extinguish.
4. once the water is filled to the MAXIMUM level and the appliance is connected to the power outlet, allow the garment steamer to preheat for before use.
5. This garment steamer has a intelligent automatic power off function. When the user stops operating this product over a certain time, the product of internal control circuit will be cut off power supply, prevent the happening of the accident, and can save electricity.

How to steam your garment

The garment steamer is easy to use and is perfect for removing wrinkles/creases from garments and curtains as well as refreshing furnishing fabrics.

It can be used on most fabrics as long as the fabric is hanging or where the garment steamer can be easily used in an upright position moving over the fabric in an up and down motion.

NOTE: the garment steamer is designed to be used in an upright position on hanging garments. refrain from using the steamer in or on garments in a horizontal position.

1. check that there is ventilation behind the fabric otherwise moisture may build up causing mildew.
2. check garment pockets are empty and turn-ups such as cuffs and hems are down.
3. hang the garment from a hanger and stretch the fabric slightly with one hand checking that there is nothing behind the fabric that can be damaged by the steam.

NOTE: we recommend you do not steam over metal accessories. use caution and steam around the metal accessories.

4. press and hold down the steam button. you will feel vibrations and hear a subtle humming sound while steaming; this is normal, steam facing away from you and in an upright position.

5. gently press the fabric brush against the garment, moving your arm in an up and down motion targeting creases in the fabric.
 6. release the steam button to stop the steam.
- NOTE: ensure that the fabric to be steamed is being stretched whilst steaming for best results.
WARNING: the garment steamer generates high temperatures of steam. do not touch the steam head, make sure the steamer is facing away from you in an upright position.
7. if using the garment steamer without the fabric brush, keep a distance of at least 5cm between the steam head and the garment.

To steam curtains

1. wash and dry curtains as directed, according to the fabric type.
2. hang the curtains and steam when they are hanging in place.
3. lightly stretch the curtain with one hand while steaming to help remove creases more easily.

To steam upholstery

1. the garment steamer can be used to help freshen up upholstery, slip covers on furniture and cushions from the furniture and in the room. before steaming, always test on a small area of the fabric that is not visible.
2. keeping the garment steamer in an upright position and using an up and down motion. lightly steam over the fabric of your furniture. cushions should be removed and held upright for steaming. allow cushions to dry thoroughly before replacing on furniture.

NOTE: it is recommended that you use the fabric brush attachment when steaming delicate fabrics such as silk, this will minimise the garment whilst steaming. for better result when removing stubborn creases, remove the fabric brush attachment from the steam head and continuously steam over the selected area until creases are removed.

WARNING: if garment has metal accessories, be cautious and do not have garment steamer directly over the metal as this may discolour the metal.

WARNING: always unplug the garment steamer before attaching or detaching the fabric brush.

NOTE: only use attachments or accessories provided.

NOTE: if the unit becomes noisy with a loud humming sound and no steam is being generated, check the water level in the water tank. this may indicate that the garment steamer is out of water and needs to be refilled.

WARNING: do not use the garment steamer directly on the body, animals, or while wearing the garments.

After each use

- press the power button , switch the power off at the power outlet and disconnect the power cord from the power outlet.
- Open the water tank inlet and (over a sink or bucket) invert the water tank to empty the remaining water from the tank.
- Stand the garment steamer on its base, in an upright position, and allow to cool.

CARE, CLEANING AND STORAGE

Care and cleaning

- Remove the fabric brush from its steam head and clean

using a damp cloth.

- Do not use harsh or abrasive cleaning agents or solvents.
- Do not put the garment steamer in water or any other liquid.
- Do not drop, throw or try and bend the steamer.
- Do not attempt to disassemble the appliance.
- The garment steamer is designed for household use only and to be used with normal tap water. do not put perfume, vinegar, or other chemicals in the tank. the appliance is not designed to work with these chemicals.
- Always empty the water tank after each use and rinse with clean water.
- Wipe outer surfaces with a damp cloth.
- Avoid operating the appliance in humid or moist places.
- Do not locate the appliance near a heat source or direct sunlight.
- Always ensure the steam outlet hole is clean and free from scaling and not blocked.

NOTE: this garment steamer is designed to use normal tap water.

- Once the garment steamer has been disconnected from the power outlet, allowed to cool, emptied of water in the water tank and cleaned, it is recommended to wrap the cord safely around the steamer to store in an upright position.

Storage

- We recommend you store the garment steamer on a flat surface, such as in a cupboard, until it is time to use it next.

TROUBLESHOOTING GUIDE

Problem	Possible solution
the steamer does not heat up	<ul style="list-style-type: none">● Check main plug is inserted correctly.● Check power supply.● Check power button.
The steamer does not produce steam	<ul style="list-style-type: none">● Check the water level and the water tank inlet cover is properly covered.● Press the steam activation button harder.● Hold the steamer in an upright position.
Water spills from the water tank	<ul style="list-style-type: none">● Make sure water is not over the MAXIMUM level.● Make sure water tank inlet cover is properly closed.● Always use the steamer in an upright position as per the operating instructions.
The steamer is producing a loud humming or pumping sound	<ul style="list-style-type: none">● Check water level; if there is no water or it is low , refill the water tank.

The steamer does not seem to be removing creases easily	<ul style="list-style-type: none">● Hold the steamer in an upright position and stretch the fabric downward to ensure best results.
Unsure when to use the fabric brush	<ul style="list-style-type: none">● Use when steaming is to directly touch the fabric.● When steaming delicate fabric, such as silk to reduce the risk of water dripping onto the garment while steaming.
Avoiding discolouring of metal accessories on the garment	<ul style="list-style-type: none">● Do not directly hover the garment steamer over the metal accessories.● Use caution and steam around the metal accessories.

WARRANTY

The warranty period for our products is 2 years, unless otherwise stated, starting from the date of initial purchase or the date of delivery.

If you have any problems or questions, you can easily access our help pages, troubleshooting tips, FAQ, and user manuals on our service site: <https://sav.hkoenig.com>.

By typing the reference name of your device in the search bar, you can access all available online support, designed to best meet your needs.

If you still cannot find an answer to your question or problem, then click on “Did the answer solve your problem?”. This will direct you to the Customer Support Request Form, which you can fill out to validate your request and get help.

WARRANTY CONDITIONS

The warranty covers all failures occurring under normal use, in accordance with the usage and specifications in the user's manual.

This warranty does not apply to packaging or transportation problems during shipment of the product by the owner. It also does not include normal wear and tear of the product, nor maintenance or replacement of consumable parts.

EXCLUSION OF WARRANTY

- Accessories and wearing parts (*).
- Normal maintenance of the device.
- All breakdowns resulting from improper use (shocks, failure to comply with power supply recommendations, poor conditions of use, etc.), insufficient maintenance or misuse of the device, as well as the use of unsuitable accessories.
- Damage of external origin: fire, water damage, electrical surge, etc.
- Any equipment that has been disassembled, even partially, by persons other than those authorized to do so (notably the user).
- The products whose serial number would be missing, deteriorated or illegible that would not allow its identification.
- The products subjected to leasing, demonstration, or exhibition.

(*) Some parts of your device, called wear parts or consumables, deteriorate with time and frequency of use of your device. This wear and tear are normal but can be accentuated by poor conditions of use or maintenance of your device. These parts are therefore not covered by the warranty.

The accessories supplied with the device are also excluded from the warranty. They cannot be exchanged or refunded. However, some accessories can be purchased directly through our website: <https://sav.hkoenig.com/>.

ENVIRONMENT

CAUTION:



Do not dispose of this product as it has with other household products. There is a separation of this waste product into communities, you will need to inform your local authorities about the places where you can return this product. In fact, electrical and electronic products contain hazardous substances that have harmful effects on the environment or human health and should be recycled. The symbol here indicates that electrical and electronic equipment should be chosen carefully, a wheeled waste container is marked with a cross.

Adeva SAS / H.Koenig Europe - 8 rue Marc Seguin, 77290 Mitry-Mory, France
www.hkoenig.com - <https://en.hkoenig.com> - Tél: +33 1 64 67 00 05

FRANÇAIS

IMPORTANT : VEUILLEZ CONSERVER VOTRE MANUEL D'INSTRUCTIONS EN LIEU SUR

Nous sommes convaincus que la sécurité de fonctionnement est la priorité absolue de tout produit de consommation, de sorte que vous, notre précieux client, puissiez utiliser en toute confiance nos produits. Nous vous recommandons d'utiliser tout appareil électrique avec soin et prudence, et en respectant bien les instructions importantes qui suivent.

MISES EN GARDE IMPORTANTES POUR VOTRE DEFROISSEUR A VAPEUR

- Cet appareil peut être utilisé par des personnes dont les

capacités physiques, sensorielles ou mentales sont réduites ou dont l'expérience ou les connaissances ne sont pas suffisantes, à condition qu'elles bénéficient d'une surveillance ou qu'elles aient reçu des instructions quant à l'utilisation de l'appareil en toute sécurité et qu'elles en comprennent bien les dangers potentiels.

- N'utilisez pas cet appareil si le cordon d'alimentation ou la fiche est endommagée, s'il ne fonctionne pas correctement ou s'il a été endommagé ou est tombé. Si le cordon d'alimentation est endommagé, celui-ci doit être remplacé par le fabricant, son représentant ou toute personne de même qualification afin d'éviter tout accident.
- Cet appareil doit être utilisé avec précaution car il émet de la vapeur.
- Débranchez toujours le défroisseur à vapeur avant de monter/démonter la brosse, pendant le remplissage, le

nettoyage et le détartrage.

- Lisez attentivement le manuel d'instructions avant d'utiliser le défroisseur à vapeur pour la première fois et conservez-le en lieu sûr.
- Tout entretien autre que le nettoyage ne doit être effectué que par un service technique agréé.
- Retirez et jetez dans une déchetterie tous les matériaux d'emballage et les étiquettes publicitaires avant d'utiliser le défroisseur à vapeur pour la première fois.
- Pour éviter tout risque d'électrocution par les jeunes enfants, retirez et jetez en lieu sûr la protection de la prise d'alimentation.
- Ne placez pas le défroisseur à vapeur près du bord d'un comptoir ou d'une table pendant le fonctionnement. Assurez-vous que la surface soit plane, propre et sèche.
- Assurez-vous toujours que le défroisseur à vapeur soit correctement assemblé avant son utilisation. Employez uniquement les pièces ou accessoires fournis et

spécifiés dans ce manuel. Suivez les instructions fournies dans ce manuel.

- N'utilisez pas le défroisseur à l'extérieur ou dans une salle de bain.
- Ne laissez pas le défroisseur à vapeur sans surveillance lorsqu'il est connecté ou en cours d'utilisation.
- Si le défroisseur à vapeur n'est pas utilisé pendant une période prolongée, débranchez-le de la prise de courant.
- Laissez le défroisseur à vapeur refroidir complètement avant de le ranger.
- Placez toujours le défroisseur à vapeur sur sa base lorsque vous le rangez. Ne laissez pas l'appareil sans surveillance quand il est branché.
- Ne rangez pas le défroisseur avec de l'eau dans le réservoir. Videz toujours le réservoir après utilisation.
- Ne touchez pas les surfaces chaudes. Cet appareil permet à l'utilisateur de défroisser les vêtements avec un grand débit de vapeur. Des températures élevées sont

atteintes pendant l'utilisation, ce qui peut causer des brûlures. Placez toujours vos mains sur le manche du défroisseur lorsque vous le tenez et avertissez les autres (en particulier les enfants) des dangers possibles de brûlure par la vapeur, l'eau chaude ou des parties chaudes, en particulier lorsque l'appareil est en position verticale.

- Rangez le défroisseur à vapeur hors de portée des enfants.
- Le défroisseur à vapeur doit être utilisé et posé sur une surface stable.
- Lorsque vous placez le défroisseur à vapeur sur sa base, assurez-vous que la surface sur laquelle il est posé soit stable.
- Le défroisseur à vapeur ne doit pas être utilisé s'il est tombé, s'il présente des signes visibles de dommages ou s'il fuit.
- Le défroisseur de vêtements est conçu pour un usage

domestique et pour être utilisé avec l'eau du robinet ; ne mettez pas de parfum, de vinaigre ou d'autres produits chimiques dans le réservoir. Cet appareil n'est pas conçu pour fonctionner avec ces produits chimiques.

- Ne touchez pas la tête du défroisseur pendant l'utilisation. Lorsque vous employez le défroisseur à vapeur, assurez-vous que sa tête soit orientée loin de vous et dans une position verticale.
- Testez toujours le défroisseur à vapeur sur une partie discrète du vêtement pour vous assurer que la température n'est pas trop élevée pour le tissu.
- Pour éviter d'endommager le défroisseur à vapeur, n'utilisez pas de détergent alcalin lors du nettoyage; utilisez un chiffon doux et un détergent doux.
- Le défroisseur produit de la vapeur brûlante. Ne touchez pas la tête de l'appareil pendant l'utilisation. Lorsque vous employez le défroisseur à vapeur, assurez-vous que la tête soit dirigée dans le sens opposé à vous et en

position verticale.

- Le défroisseur à vapeur comporte un coupe-circuit thermique de sécurité pour le protéger de la surchauffe. Cependant, il ne doit pas être laissé sans surveillance pendant qu'il est branché à la prise de courant. Des précautions particulières doivent toujours être prises lorsque des enfants se trouvent à la maison ou à proximité de l'appareil.
- Ne remplissez pas le réservoir d'eau au-delà de l'indicateur MAX, au risque de provoquer un écoulement d'eau.
- Il peut y avoir des écoulements de la tête si la température de l'eau n'est pas suffisamment élevée pour créer de la vapeur. Par conséquent, assurez-vous que le défroisseur soit toujours préchauffé pendant 2-3 minutes avant de l'utiliser.
- N'utilisez jamais le défroisseur à vapeur sur les vêtements que vous portez et ne dirigez pas la vapeur

vers des personnes ou des animaux.

- Ne laissez pas le cordon toucher des surfaces chaudes.
- Nettoyez le défroisseur à vapeur en suivant les instructions de nettoyage fournies dans ce manuel.
- N'utilisez jamais le fer tourné vers quelqu'un. La vapeur peut causer des brûlures.
- Le liquide ou de la vapeur ne doivent pas être dirigé vers des équipements comportant des composants électriques, tels que l'intérieur des fours.

MISES EN GARDE IMPORTANTES POUR TOUS LES APPAREILS ELECTRIQUES

- Déroulez le cordon d'alimentation avant d'utiliser l'appareil.
- Ne branchez le défroisseur que sur une prise de courant de 220-240V.
- Ne laissez pas le cordon d'alimentation pendre du bord d'un comptoir ou d'une table ou faire des nœuds.
- Pour éviter les chocs électriques. n'immergez pas le cordon d'alimentation, la fiche d'alimentation ou l'appareil dans l'eau ou tout autre liquide, et ne laissez pas l'humidité pénétrer dans l'appareil. sauf indication contraire dans les instructions de nettoyage.
- Il est recommandé d'inspecter régulièrement l'appareil. Pour éviter tout accident, n'utilisez pas l'appareil si le cordon d'alimentation, la fiche d'alimentation ou

l'appareil est endommagé de quelque manière que ce soit. Renvoyez l'appareil complet au service technique le plus proche pour examen et réparation.

- Cet appareil est à usage domestique uniquement. Ne l'utilisez pas pour autre chose que l'usage auquel il est destiné. Ne pas l'employer dans des véhicules ou des bateaux en mouvement ni à l'extérieur. Un emploi inadéquat peut provoquer des blessures.
- L'installation d'un dispositif à courant résiduel (interrupteur de sécurité) est recommandée pour fournir une protection supplémentaire lors de l'utilisation d'appareils électriques. Il est conseillé d'installer un interrupteur de sécurité avec un courant de fonctionnement résiduel nominal ne dépassant pas 30 mA dans le circuit électrique alimentant l'appareil. Consultez votre électricien pour des conseils professionnels.
- Toujours éteindre l'appareil, débrancher le cordon

d'alimentation et l'enlever s'il est amovible puis laisser l'appareil refroidir.

- Ne placez pas cet appareil sur ou à proximité d'une source de chaleur, telle qu'une plaque chauffante, un four ou des radiateurs.
- Placez l'appareil à une distance minimale de 20 cm des murs, rideaux et autres matériaux sensibles à la chaleur ou à la vapeur, et laissez un espace suffisant au-dessus et sur tous les côtés pour la circulation de l'air.
- Le nettoyage et l'entretien par l'utilisateur ne doivent pas être effectués par des enfants, à moins qu'ils ne soient âgés de plus de 8 ans et qu'ils soient sous la surveillance d'un adulte.
- Conserver l'appareil et son câble hors de portée des enfants âgés de moins de 8 ans.
- Votre appareil a été conçu pour un usage domestique seulement. Elle n'a pas été conçue pour être utilisée

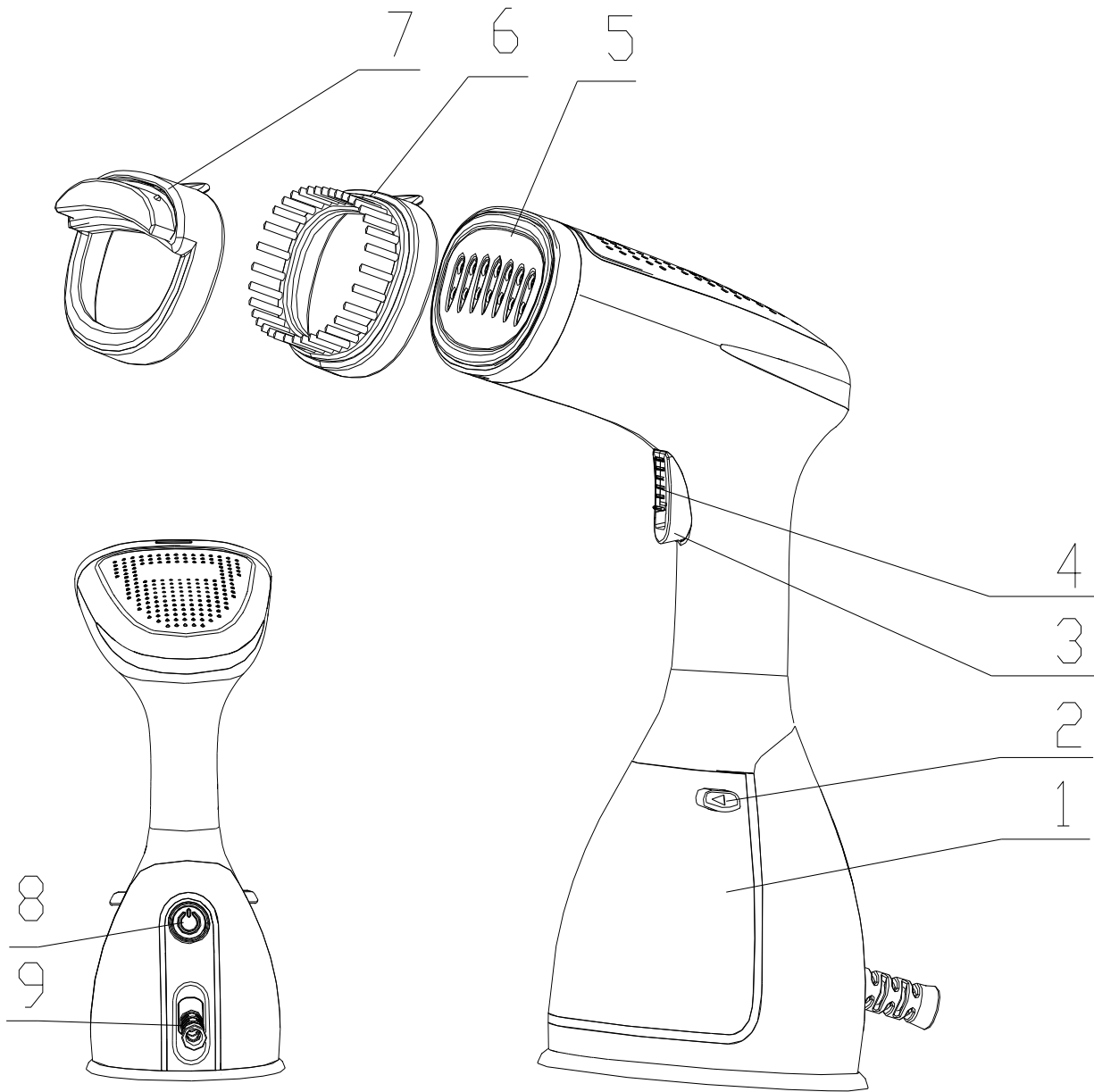
dans les cas suivants qui ne sont pas couverts par la garantie :

- dans des coins de cuisines réservés au personnel dans des magasins, bureaux et autres environnements professionnels,
- dans des fermes auberges,
- par les clients des hôtels, motels et autres environnements à caractère résidentiel,
- dans des environnements de type chambres d'hôtes.
- Cet appareil peut être utilisé par des enfants âgés d'au moins 8 ans, à condition qu'ils bénéficient d'une surveillance ou qu'ils aient reçu des instructions quant à l'utilisation de l'appareil en toute sécurité et qu'ils comprennent bien les dangers encourus.
- Lors de l'utilisation d'appareils électriques, des précautions de sécurité doivent toujours être prises pour prévenir tout risque d'incendie, de choc électrique et/ou de blessure en cas de mauvaise utilisation.
- Vérifier que le voltage indiqué sur la plaque

signalétique de l'appareil correspond bien à celui de votre installation électrique. Si ce n'est pas le cas, adressez-vous au revendeur et ne branchez pas l'appareil

- L'appareil ne doit pas être utilisé s'il a chuté, s'il y a des signes visibles de dommages ou en cas de fuite.
- Veuillez conserver ce document à disposition et le remettre au futur propriétaire en cas de cession de votre appareil
- L'appareil n'est pas destiné à être actionnés par des moyens de minuterie externe ou un système de télécommande

VOTRE DEFROISSEUR A VAPEUR



1. Grand réservoir d'eau 280 ml (amovible)
2. Verrou du réservoir d'eau
3. Commande de vapeur
4. Bouton de verrouillage de vapeur
5. Tête
6. Brosse à tissus (amovible)
7. Brosse à peluches (amovible)
8. Interrupteur lumineux
9. Protection du cordon

UTILISATION DE VOTRE DEFROISSEUR

Avant la première utilisation

Retirez toutes les étiquettes et la protection de la tête.

Déroulez et tendez le cordon d'alimentation.

Lorsque vous utilisez le défroisseur à vapeur pour la première fois, laissez-le émettre de la vapeur pendant quelques minutes. Cela éliminera les impuretés et les odeurs laissées par le processus de fabrication.

Lorsque vous utilisez le défroisseur à vapeur pour la première fois, vous pouvez l'essayer sur un vieux morceau de tissu avant de défroisser votre vêtement.

Avertissement : pour éviter une surcharge du circuit électrique, il est recommandé qu'aucun autre appareil électroménager ne soit branché sur le même circuit que votre appareil pendant son utilisation.

Remarque : lors du déballage du défroisseur à vapeur, vérifiez que vous avez bien reçu tous les éléments énumérés dans la liste de pièces avant de jeter l'emballage.

Assemblage/fonctionnement de votre défroisseur à vapeur

1. Appuyez sur le bouton de verrouillage du réservoir d'eau, retirez le réservoir d'eau, soulevez le couvercle du réservoir et remplissez-le avec de l'eau du robinet jusqu'au niveau MAXIMUM (voir fig.1) Assurez-vous toujours que le réservoir d'eau soit plein au moins d'un tiers. Ne dépassez pas le niveau MAXIMUM lors du remplissage du réservoir d'eau. Remplacez le réservoir d'eau.
2. Tenez l'appareil avec votre main bien positionnée au niveau du manche de l'appareil en position verticale, utilisez l'autre main pour fixer la brosse à tissus sur la tête. Elle peut être fixée dans les deux sens et se verrouille en émettant un « clic ».
3. Branchez l'appareil sur une prise secteur et allumez-le. Appuyez sur l'interrupteur, le voyant d'alimentation clignote et l'appareil commence à chauffer. Quand le voyant cesse de clignoter et reste lumineux, le préchauffage est terminé. Vous pouvez commencer à utiliser l'appareil en appuyant sur la commande de vapeur.
4. Une fois que le réservoir est rempli au maximum et que l'appareil est branché à la prise de courant, laissez-le préchauffer avant de l'utiliser.
5. Ce défroisseur dispose d'une fonction de mise hors tension automatique. Lorsque l'utilisateur arrête d'utiliser l'appareil pendant un certain temps, le coupe-circuit se déclenche, empêchant un accident de se produire.

Comment défroisser vos vêtements

Le défroisseur à vapeur est facile à utiliser, il est parfait pour éliminer les plis des vêtements et des rideaux, ainsi que pour nettoyer les tissus d'ameublement.

Il peut être utilisé sur la plupart des tissus tant qu'ils sont suspendus et que le défroisseur à vapeur peut être facilement utilisé en position verticale, se déplaçant le long du tissu dans un mouvement de haut en bas.

REMARQUE : le défroisseur à vapeur est conçu pour être utilisé en position verticale sur des vêtements suspendus. Abstenez-vous d'employer l'appareil sur des vêtements en position horizontale.

1. Faites en sorte que le tissu soit aéré, sinon l'humidité pourrait s'accumuler et provoquer de la moisissure.
2. Assurez-vous que les poches des vêtements soient vides et que les revers et les ourlets soient retournés.
3. Suspendez le vêtement à un cintre puis étirez légèrement le tissu avec une main en vérifiant qu'il n'y a rien derrière le tissu qui puisse être endommagé par la vapeur.

REMARQUE : nous vous recommandons de ne pas vaporiser directement les accessoires métalliques ; soyez prudent et vaporisez autour d'eux.

4. Appuyez sur la commande de vapeur et maintenez-la enfoncée. Vous sentirez alors des vibrations et entendrez un bourdonnement pendant la vaporisation; ceci est normal. Vaporisez toujours loin de vous avec l'appareil dans une position verticale.
5. Appuyez légèrement la brosse à tissus contre le vêtement, en le déplaçant dans un mouvement de haut en bas et en ciblant les plis du tissu.
6. Relâchez la commande de vapeur pour arrêter le défroissage.

REMARQUE : veillez à étirer préalablement le tissu à défroisser pour obtenir de meilleurs résultats. ATTENTION : le défroisseur de vêtements produit une vapeur brûlante. Ne touchez surtout pas la tête et assurez-vous que l'appareil soit dans une position verticale.

7. Si vous utilisez l'appareil sans la brosse à tissus, maintenez une distance d'au moins 5 cm entre la tête et le vêtement.

Défroissage des rideaux

1. Laver et sécher les rideaux selon les recommandations en fonction du type de tissu.
2. Accrocher les rideaux à leur place puis les défroisser.
3. Étirer légèrement le rideau avec une main pendant l'opération pour éliminer plus facilement les plis.

Nettoyage des tissus d'ameublement

1. Le défroisseur à vêtements peut être utilisé pour nettoyer les revêtements, les housses et les coussins des meubles. Avant de nettoyer à la vapeur, faites toujours un test sur une petite partie du tissu qui n'est pas visible.
2. Maintenir le défroisseur à vapeur en position verticale et faire des mouvements ascendants et descendants. Vaporiser légèrement les tissus de vos meubles ; les coussins doivent être retirés et maintenus en position verticale pendant le nettoyage. Laisser-les sécher complètement avant de les replacer.

REMARQUE : il est recommandé d'utiliser la brosse à tissus lors du nettoyage à la vapeur des tissus délicats tels que la soie ; ceci rétrécira le tissu lors de l'opération. Afin d'obtenir de meilleurs résultats lors de l'élimination des plis tenaces, retirez la brosse et vaporisez en continu sur la zone sélectionnée jusqu'à ce que les plis soient éliminés.

AVERTISSEMENT : si le vêtement a des accessoires en métal, soyez prudent et ne vaporisez pas directement dessus car cela pourrait décolorer le métal.

AVERTISSEMENT : débranchez toujours le défroisseur avant de fixer ou d'enlever la brosse à tissus.

REMARQUE : utilisez uniquement les accessoires fournis.

REMARQUE : si l'appareil devient bruyant avec un fort bourdonnement et qu'aucune vapeur n'est produite, vérifiez le niveau d'eau dans le réservoir. Cela peut indiquer qu'il n'y a plus d'eau dans le réservoir.

AVERTISSEMENT : n'utilisez pas le défroisseur à vapeur directement sur le corps, sur les animaux et les plantes ou sur les vêtements que vous portez.

Après chaque utilisation

- Appuyez sur l'interrupteur pour éteindre l'appareil et débranchez le cordon d'alimentation de la prise de courant.
- Soulevez le couvercle du réservoir d'eau et videz-le dans l'évier.

- Posez le défroisseur sur sa base, en position verticale, et laissez-le refroidir.

ENTRETIEN, NETTOYAGE ET STOCKAGE

Entretien et nettoyage

- Retirez la brosse à tissus de la tête et nettoyez-la avec un chiffon humide.
- N'utilisez pas de détergent ou de solvant corrosif ou abrasif.
- Ne plongez pas le défroisseur dans l'eau ou tout autre liquide.
- Ne laissez pas tomber l'appareil, ne le jetez pas et n'essayez pas de le plier.
- N'essayez pas de démonter l'appareil.
- Le défroisseur est conçu pour un usage domestique uniquement et pour être utilisé avec de l'eau du robinet. Ne mettez pas de parfum, de vinaigre ou d'autres produits chimiques dans le réservoir ; l'appareil n'est pas conçu pour fonctionner avec ces produits chimiques.
- Videz toujours le réservoir après chaque utilisation et

rincez-le à l'eau propre.

- Essuyez les surfaces extérieures avec un chiffon humide.
- N'utilisez pas l'appareil dans des endroits humides.
- Ne placez pas l'appareil près d'une source de chaleur ou de la lumière directe du soleil.
- Veillez toujours à ce que la bouche de sortie de la vapeur reste propre et exempte de tartre, et qu'elle ne soit pas obstruée.

REMARQUE : ce défroisseur est conçu pour utiliser l'eau du robinet

- Une fois que le défroisseur est débranché de la prise de courant, laissez-le refroidir, videz l'eau du réservoir et nettoyez-le ; il est recommandé d'enrouler le cordon avec soin autour du défroisseur avant de le ranger en position verticale.

Stockage

- Nous vous recommandons de stocker le défroisseur sur une surface plane, comme dans une armoire, jusqu'à ce qu'il soit temps de l'utiliser à nouveau.

GUIDE DE DÉPANNAGE

Problème	Solution possible
L'appareil ne chauffe pas	<ul style="list-style-type: none"> ● Vérifiez que la fiche soit branchée correctement. ● Vérifiez le cordon d'alimentation. ● Vérifiez l'interrupteur.
L'appareil ne produit pas de vapeur	<ul style="list-style-type: none"> ● Vérifiez le niveau d'eau et que le couvercle du réservoir soit bien à sa place. ● Appuyez plus fort sur la commande de vapeur. ● Maintenez l'appareil dans une position verticale.
De l'eau s'écoule du réservoir	<ul style="list-style-type: none"> ● Assurez-vous que l'eau ne dépasse pas le niveau MAXIMUM. ● Assurez-vous que le couvercle du réservoir d'eau soit correctement fermé. ● Utilisez toujours l'appareil dans une position verticale conformément aux instructions de fonctionnement.
L'appareil émet un ronflement ou un bruit de succion	<ul style="list-style-type: none"> ● Vérifiez le niveau de l'eau ; s'il n'y a pas d'eau ou peu d'eau, remplissez le réservoir d'eau.
L'appareil n'enlève pas facilement les plis	<ul style="list-style-type: none"> ● Placez l'appareil en position verticale et étirez le tissu vers le bas pour obtenir de meilleurs résultats.
Je ne sais pas quand utiliser la brosse à tissus	<ul style="list-style-type: none"> ● Utilisez la brosse pour défroisser en touchant directement le tissu. ● Utilisez la brosse pour les tissus délicats, telle que la soie, pour réduire le risque d'égouttement sur le vêtement lors du défroissage.
Décoloration des accessoires métalliques du vêtement	<ul style="list-style-type: none"> ● Ne vaporisez pas directement sur les accessoires en métal. ● Vaporisez autour des accessoires en métal.

GARANTIE

La durée de garantie de nos produits est de 2 ans, sauf décret en vigueur, à compter de la date d'achat initiale ou la date de livraison.

En cas de problèmes ou d'interrogations, vous pouvez facilement accéder à nos pages d'aides, conseils de dépannage, FAQ et modes d'emplois sur notre site SAV : <https://sav.hkoenig.com>.

En tapant le nom de référence de votre appareil dans la barre de recherche, vous accédez à tous les supports en ligne disponibles, conçus pour vous répondre au mieux à vos besoins.

Si vous ne trouvez toujours pas de réponse à votre question ou votre problème, alors cliquez sur « Est-ce que la réponse a résolu votre problème ? ». Vous accéderez alors au formulaire de demande d'assistance SAV, qu'il vous suffira de compléter pour valider votre demande et obtenir de l'aide.

CONDITIONS DE GARANTIE

La garantie couvre l'ensemble des pannes survenant dans le cadre d'une utilisation normale, conforme aux usages et spécifications présentes sur le manuel d'utilisation.

Cette garantie ne s'applique pas aux problèmes d'emballage ou de transport pendant l'expédition du produit par son propriétaire. Elle n'inclut également pas l'usure normale du produit, ni la maintenance ou le remplacement de pièces consommables.

EXCLUSION DE GARANTIE

- Les accessoires et les pièces d'usure (*).
- L'entretien normal de l'appareil.
- Toutes pannes survenant par suite d'une mauvaise utilisation (chocs, non-respect des préconisations d'alimentation électrique, mauvaises conditions d'utilisation, etc.), d'un entretien insuffisant ou d'un détournement de fonction de l'appareil, ainsi que l'usage d'accessoires non appropriés.
- Les dommages d'origine externe : incendie, dégâts des eaux, surtension électrique, etc.
- Tout matériel qui aura été démonté même partiellement par des personnes autres que celles habilitées (notamment l'utilisateur).
- Les produits dont le numéro de série serait absent, détérioré ou illisible que ne permettrait pas son identification.
- Les produits soumis à la location, à la démonstration ou à l'exposition.

(*) Certaines pièces de votre appareil dites pièces d'usure ou consommables se détériorent avec le temps et la fréquence d'usage de votre appareil. Cette usure est normale, mais peut être accentuée par des mauvaises conditions d'utilisation ou entretien de votre appareil. Ces pièces ne sont donc pas couvertes par la garantie.

Les accessoires fournis avec l'appareil sont également exclus du champ de la garantie. Ils ne peuvent donc être ni échangés, ni remboursés. Toutefois, certains accessoires peuvent être directement achetés via notre site : <https://sav.hkoenig.com/>.

ENVIRONNEMENT

ATTENTION :



Vous ne devez pas vous débarrasser de cet appareil avec vos déchets ménagers. Un système de collecte sélective pour ce type de produit est mis en place par les communes, vous devez vous renseigner auprès de votre mairie afin d'en connaître les emplacements. En effet, les produits électriques et électroniques peuvent contenir des substances dangereuses qui ont des effets néfastes sur l'environnement ou la santé humaine et doivent être recyclés. Le symbole ci-contre indique que les équipements électriques et électroniques font l'objet d'une collecte sélective, il représente une poubelle sur roues barrée d'une croix.

Adeva SAS / H.Koenig Europe - 8 rue Marc Seguin, 77290 Mitry-Mory, France
www.hkoenig.com - <https://sav.hkoenig.com> - Tél: +33 1 64 67 00 05

DEUTSCH

**WICHTIG: BITTE BEWAHREN SIE IHRE ANLEITUNG
ALS KÜNFTIGE REFERENZ AUF.**

Wir glauben fest daran, dass Sicherheit in der Nutzung jedes Verbraucherproduktes höchste Priorität hat, so dass Sie, unsere lieben Kunden, unsere Produkte sicher und vertrauensvoll nutzen können. Wir bitten Sie darum, jedes von Ihnen genutztes Elektrogerät auf vernünftige Weise zu bedienen, und mit nötiger Aufmerksamkeit und Sorgfalt die folgenden wichtigen Bedienungsanweisungen zu beachten.

**WICHTIGE SICHERHEITSANWEISUNGEN FÜR IHREN
SWIFT STEAM KLEIDUNGS- STEAMER**

- Dieses Gerät kann von Personen mit eingeschränkten körperlichen, sensorischen oder geistigen Fähigkeiten oder mangelnder Erfahrung und Kenntnis benutzt werden, vorausgesetzt, dass sie beaufsichtigt oder in der sicheren Benutzung des Gerätes unterwiesen werden und die möglichen Gefahren vollständig verstehen.
- Bedienen Sie das Gerät nicht, wenn das Kabel oder der Stecker beschädigt ist, wenn das Gerät nicht richtig funktioniert, beschädigt oder fallengelassen wurde. Wenn das Stromkabel beschädigt ist, muss es von dem Hersteller, seinem Dienstleister oder einer ähnlich qualifizierten Person ersetzt werden, um Gefahren zu vermeiden.
- Vorsicht wird während der Nutzung des Gerätes wegen der Dampferzeugung geboten.
- Trennen Sie den Kleidungs-Steamer immer vom Netz, wenn Sie die Kleiderbürste montieren oder abnehmen,

während des Auffüllens, der Reinigung und Entkalkung.

- Vor dem ersten Gebrauch des mobilen Kleidungs- Steamers lesen Sie alle Anweisungen sorgfältig und bewahren Sie diese als künftige Referenz auf.
- Jegliche Wartung, außer Reinigung, muss in einem autorisierten Servicezentrum durchgeführt werden.
- Vor dem ersten Gebrauch des Kleidungs- Steamers entfernen und entsorgen Sie ordnungsgemäß alle Verpackungsmaterialien und Aktionsetikette.
- Um die Erstickungsgefahr von kleinen Kindern auszuschließen, entfernen und entsorgen Sie ordnungsgemäß die Schutzabdeckung, mit der der Stromstecker dieses Kleidungs- Steamers ausgestattet ist.
- Platzieren Sie den Kleidungs- Steamer während des Betriebs nicht am Rand einer Bank oder eines Tisches. Stellen Sie sicher, dass die Fläche eben, sauber und frei von Wasser und anderen Stoffen ist.

- Vergewissern Sie sich immer, dass der Kleidungs-Steamer stets vor dem Gebrauch ordnungsgemäß montiert ist. Benutzen Sie ausschließlich die Teile und das Zubehör, die zur Verfügung gestellt und in diesem Heft angegeben worden sind. Befolgen Sie die in diesem Buch angegebenen Anweisungen.
- Benutzen Sie das Gerät nicht draußen oder in Badezimmern.
- Lassen Sie den Kleidungs-Steamer nicht unbeaufsichtigt, während dieser angeschlossen oder im Betrieb ist.
- Wenn der Kleidungs-Steamer für einen längeren Zeitraum nicht benutzt wird, trennen Sie den Kleidungs-Steamer vom Netz.
- Lassen Sie den Kleidungs-Steamer komplett abkühlen, bevor Sie diesen lagern.
- Platzieren Sie den Kleidungs-Steamer immer auf seiner Grundlage während der Lagerung. Lassen Sie den

angeschlossenen Kleidungs-Steamer nicht unbeaufsichtigt.

- Lagern Sie den Kleidungs-Steamer nicht mit Wasser im Wasserbehälter. Entleeren Sie immer den Behälter nach dem Gebrauch.
- Berühren Sie heiße Flächen nicht. Dieser Kleidungs-Steamer erlaubt dem Nutzer, Kleidung mit einem starken Durchfluss von Dampf zu bügeln. Hohe Temperaturen werden während der Nutzung erzeugt, was zu Verbrennungen führen könnte. Positionieren Sie immer Ihre Hände auf dem Hals des Kleidungs-Steamers, wenn Sie diesen halten, und warnen Sie andere (insbesondere Kinder) vor möglichen Verbrennungsgefahren durch Dampf, heißes Wasser und heiße Teile, besonders wenn Kleidung senkrecht gebügelt wird.
- Bewahren Sie den Kleidungs-Steamer außer Reichweite von Kindern auf.
- Der Kleidungs-Steamer muss auf einer stabilen Fläche

benutzt und abgestellt werden.

- Wenn Sie den Kleidungs-Steamer auf seiner Grundlage platzieren, vergewissern Sie sich, dass die Fläche, auf der sich die Grundlage befindet, stabil ist.
- Der Kleidungs-Steamer darf nicht benutzt werden, wenn dieser fallen gelassen wurde, wenn es sichtbare Anzeichen einer Beschädigung gibt oder wenn das Gerät undicht ist.
- Der Kleidungs-Steamer ist für die Haushaltsnutzung entwickelt worden und ist mit Leitungswasser zu benutzen. Gießen Sie kein Parfüm, keinen Essig oder keine anderen Chemikalien in den Behälter. Dieses Gerät ist nicht dafür geeignet, mit diesen Chemikalien zu funktionieren.
- Fassen Sie den Dampfkopf während der Nutzung nicht an. Bei der Nutzung des Kleidungs-Steamers, vergewissern Sie sich, dass dieser von Ihnen abgewandt ist und sich in der aufrechten Position befindet.

- Testen Sie den Kleidungs-Steamer immer auf einer kleinen, unauffälligen Stelle des Stoffes, der gebügelt werden muss, um sicherzustellen, dass die Temperatur nicht zu hoch für den Stoff ist.
- Um eine Beschädigung des Kleidungs-Steamer zu vermeiden, benutzen Sie keine alkalischen Reinigungsmittel bei der Reinigung; Benutzen Sie ein weiches und mildes Reinigungsmittel.
- Der Kleidungs-Steamer erzeugt Dampf mit hohen Temperaturen. Fassen Sie den Dampfkopf während der Nutzung nicht an. Bei der Nutzung des Kleidungs-Steamer, vergewissern Sie sich, dass dieser von Ihnen abgewandt ist und sich in der aufrechten Position befindet.
- Der Kleidungs-Steamer enthält eine Thermosicherung, um das Gerät vor einer Überhitzung zu schützen. Dennoch darf der Kleidungs-Steamer nicht unbeaufsichtigt gelassen werden, während dieser ans

Netz angeschlossen ist. Seien Sie besonders vorsichtig, wenn sich Kinder zu Hause/ in der Nähe von dem Kleidungs-Steamer befinden.

- Befüllen Sie den Wasserbehälter nicht über die MAX Markierung, da dies das Überlaufen von Wasser zur Folge haben kann.
- Es kann eine Leckage auf dem Dampfkopf entstehen, wenn die Temperatur von dem Kleidungs-Steamer nicht hoch genug ist, um Wasser zu verdunsten und Dampf zu erzeugen. Deswegen vergewissern Sie sich, dass der Kleidungs-Steamer immer für 2-3 Minuten vor dem Gebrauch vorgeheizt wird.
- Benutzen Sie niemals den Kleidungs-Steamer, während die Kleidung sich auf dem Körper befindet, und richten Sie den Dampf niemals auf Menschen oder Tiere.
- Lassen Sie das Kabel nicht mit heißen Flächen in Berührung kommen.
- Halten Sie den Kleidungs-Steamer sauber. Befolgen Sie

die in diesem Heft angegebenen
Reinigungsanweisungen.

- Verwenden Sie niemals das Eisen zugewandten Menschen, da der Dampf Verbrennungen verursachen kann.
- Der Gerät muss ausschließlich an eine Stecker muss nach der Verbindung bereinstimmen. Benutzen Sie angeschlossene Gerät muss geerdet Dampf darf nicht unmittelbar auf elektrische Geräte, etzkabel oder Teile gerichtet werden, die elektrische Komponente beinhalten (zum Beispiel Öfen, Kühlschränke, Schalter oder Lichter, Mikrowellen, Bildschirme.)
- Ihr Gerät ist nur für den Hausgebrauch bestimmt. Es ist nicht für die Verwendung in den folgenden Situationen vorgesehen, die nicht von der Garantie abgedeckt sind:
 - in Personalküchen in Geschäften, Büros und anderen professionellen Umgebungen,
 - in Landgasthöfen,

- von Gästen in Hotels, Motels und anderen Wohnumgebungen,
- in Bed-and-Breakfast-Umgebungen.

WICHTIGE SICHERHEITSANWEISUNGEN FÜR ALLE ELEKTRISCHEN GERÄTE.

- Vor der Nutzung ziehen Sie das Stromkabel vollständig heraus.
- Schließen Sie das Gerät ausschließlich an eine 220- 240V Steckdose an.
- Lassen Sie das Stromkabel nicht über die Kante einer Bank oder eines Tisches hängen, mit heißen Flächen in Berührung kommen oder verknoten.
- Um sich vor einem Stromschlag zu schützen, tauchen Sie das Stromkabel, den Stecker oder das Gerät nicht in Wasser oder andere Flüssigkeiten, und lassen Sie die

Teile nicht in Kontakt mit Feuchtigkeit kommen, es sei denn dies wird in den Reinigungsanweisungen angegeben.

- Es wird empfohlen, das Gerät regelmäßig zu untersuchen. Um Gefahren zu vermeiden, benutzen Sie das Gerät nicht, wenn das Stromkabel, der Stecker oder das Gerät in jeglicher Weise beschädigt wird. Bringen Sie das gesamte Gerät zu dem nächstliegenden autorisierten Servicezentrum zurück für die Inspektion und Reparatur.
- Dieses Gerät ist ausschließlich für die Haushaltsnutzung geeignet. Benutzen sie dieses Gerät nicht zu anderen als dafür vorgesehenen Zwecke. Benutzen Sie dieses nicht in sich bewegenden Fahrzeugen oder auf Booten.

Missbrauch kann zu einer Verletzung führen.

- Der Einbau einer Fehlerstrom-Schutzeinrichtung (eines Sicherheitsschalters) wird empfohlen, um einen zusätzlichen Sicherheitsschutz während der Nutzung von elektrischen Geräten zu leisten.

Es ist empfehlenswert, dass der Sicherheitsschalter mit dem Bemessungsfehlerstrom, der 30mA nicht überschreitet, in dem Stromkreis, der das Gerät versorgt, zu installieren. Wenden Sie sich an Ihren Elektriker für eine professionelle Beratung.

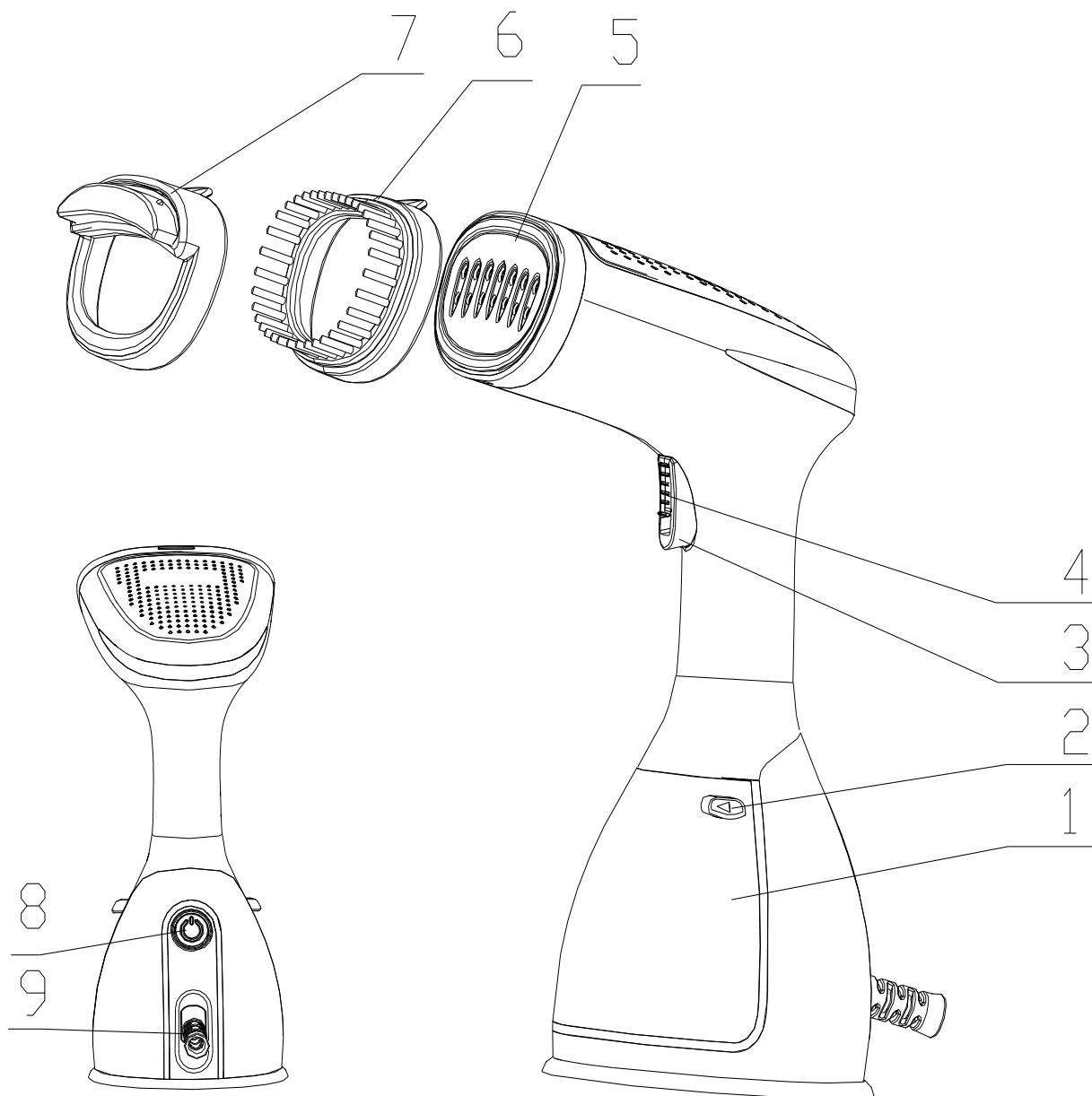
- Drehen Sie das Gerät immer in die „OFF“ Position, schalten Sie dieses aus, trennen Sie den Stromanschluss vom Netz und entfernen Sie das Stromkabel, wenn es abnehmbar ist, von dem Gerät, und lassen Sie alle Teile abkühlen.
- Platzieren Sie das Gerät niemals auf oder in der Nähe von einer Hitzequelle, eines Ofens oder eines Heizkörpers.
- Positionieren Sie das Gerät mit einem Abstand von mindestens 20cm von Wänden, Vorhängen und anderen hitze- oder dampfempfindlichen Stoffen entfernt, und lassen Sie genügend Raum von allen Seiten für die Luftzirkulation.

- Kinder dürfen das Gerät nur reinigen oder pflegen, wenn sie mindestens 8 Jahre alt sind und von einem Erwachsenen beaufsichtigt werden.
- Bewahren Sie das Gerät und das zugehörige Netzkabel außerhalb der Reichweite von Kindern unter 8 Jahren auf.
- Dieses Gerät kann von Kindern ab 8 Jahren benutzt werden, sofern sie beaufsichtigt werden oder Anweisungen zur sicheren Benutzung des Geräts erhalten haben und die damit verbundenen Gefahren verstehen.
- Bei der Verwendung von Elektrogeräten müssen immer Sicherheitsvorkehrungen getroffen werden, um bei unsachgemäßem Gebrauch Brandgefahr, Stromschläge und/oder Verletzungen zu vermeiden.
- Überprüfen Sie, ob die auf dem Typenschild des Geräts angegebene Spannung mit der Spannung Ihrer

elektrischen Anlage übereinstimmt. Wenn dies nicht der Fall ist, wenden Sie sich an den Händler und schließen Sie das Gerät nicht an.

- Das Gerät darf nicht benutzt werden, wenn es heruntergefallen ist, sichtbare Anzeichen von Schäden aufweist oder undicht ist.
- Bitte halten Sie dieses Dokument bereit und geben Sie es dem zukünftigen Besitzer, wenn Sie Ihr Gerät weitergeben.
- Das Gerät ist nicht dazu bestimmt, durch externe Zeitschaltuhren oder ein Fernbedienungssystem betrieben zu werden.

IHR MOBILER KLEIDUNGS-STEAMER



1. 280ml großer Wasserbehälter (abnehmbar)
2. Wasserbehälter-Auslöserknopf
3. Dampfknopf
4. Dampf-Verriegelungsschalter
5. Dampfkopf
6. Kleiderbürste (abnehmbar)
7. Fusselbürste (abnehmbar)
8. Stromtaste mit Strom-Lichtanzeige
9. Kabelschutz

NUTZUNG IHRES KLEIDUNGS-STEAMERS

Vor dem ersten Gebrauch

Entfernen Sie alle Aufkleber und Schutzabdeckungen von dem Dampfkopf.

Wickeln Sie das Kabel ab und richten Sie dieses vor dem Gebrauch aus.

Wenn Sie den Kleidungs-Steamer zum ersten Mal benutzen, lassen Sie diesen für ein paar Minuten dampfen. Dies wird jegliche Unreinheiten und Gerüche entfernen, die nach dem Herstellungsvorgang bleiben könnten.

Wenn Sie den Kleidungs-Steamer zum ersten Mal benutzen, wird es empfohlen, den Steamer auf einem alten Stoffstück auszuprobieren, bevor Sie Ihre Kleidung damit dampfen.

Warnung: um eine Überlastung des Stromkreises zu vermeiden, wird empfohlen, keine anderen Geräte an denselben Stromkreis anzuschließen, während der Kleidungs-Steamer im Betrieb ist.

Hinweis: wenn Sie den Kleidungs-Steamer auspacken, überprüfen Sie, ob Sie alle Artikel aus der Teileliste bekommen haben, bevor Sie die Verpackung entsorgen.

Ihren Kleidungs-Steamer montieren/bedienen

1. Drücken Sie auf den Wasserbehälter-Auslöserknopf, ziehen Sie den Wasserbehälter heraus, öffnen Sie die Wasserzulauf-Abdeckung und gießen Sie Leitungswasser in den Wasserbehälter ein, bis die MAXIMUM Markierung erreicht wird (siehe Abb. 1). Stellen Sie immer sicher, dass der Wasserbehälter mindestens zu einem Drittel befüllt ist. Überschreiten Sie nicht die MAXIMUM Markierung, wenn Sie den Wasserbehälter befüllen. Bauen Sie den Wasserbehälter erneut ein.
2. Halten Sie das Gerät mit Ihrer Hand, die sicher auf dem Hals des Kleidungs-Steamers platziert ist. In der aufrechten Position, benutzen Sie Ihre andere Hand, um die Kleiderbürste an dem Dampfkopf zu befestigen. Die Kleiderbürste kann von beiden Seiten befestigt werden und wird hörbar einrasten.
3. Schließen Sie das Gerät an die Steckdose an und schalten Sie dieses an. Drücken Sie auf die Power-Taste, die Power-Lichtanzeige wird blinken, was bedeutet, dass der Heizvorgang angefangen hat. Wenn die Lichtanzeige dauernd leuchtet, ist der Heizvorgang abgeschlossen, Sie können nun das Gerät benutzen. Schalten Sie den Steamer aus, indem Sie auf die Power-Taste drücken. Wenn das Gerät aus ist, wird die Lichtanzeige ausgehen.
4. Sobald das Wasser die MAXIMUM Markierung erreicht hat und das Gerät ans Netz angeschlossen ist, lassen Sie den Kleidungs-Steamer sich vor der Nutzung erhitzen.
5. Dieser Kleidungs-Steamer verfügt über eine intelligente automatische Abschaltfunktion. Wenn das Produkt von dem Nutzer innerhalb von bestimmter Zeit nicht bedient wird, wird das interne Kontrollsystem die Stromversorgung abschalten, um Unfälle zu vermeiden und Strom zu sparen.

Wie Sie Ihre Kleidung dampfen

Der Kleidungs-Steamer ist einfach im Gebrauch und passt perfekt zum Entfernen von Falten/Knicken von Kleidungsstücken und Vorhängen, genauso wie zum Auffrischen von Möbelstoffen.

Er kann auf den meisten Stoffen benutzt werden, solange der Stoff hängt, oder dort, wo der Kleidungs-Steamer einfach in der aufrechten Position benutzt werden kann, indem dieser in einer Auf- und Abwärtsbewegung den Stoff entlang gleiten kann.

HINWEIS: der Kleidungs-Steamer ist dafür geeignet, in der aufrechten Position an hängenden Stoffen benutzt zu werden. Verzichten Sie auf die Nutzung des Steamers an senkrecht platzierten Textilien.

1. Überprüfen Sie, ob es eine ausreichende Lüftung hinter dem Stoff gibt, ansonsten kann sich dort Feuchtigkeit ansammeln, was die Entstehung von Schimmel zur Folge haben kann.
2. Überprüfen Sie, dass die Kleidungsaschen leer und Aufschläge wie z. B. Manschetten und

Kanten umgeschlagen sind.

3. Hängen Sie das Kleidungsstück auf den Kleiderbügel auf und ziehen Sie den Stoff leicht mit einer Hand, um sicherzustellen, dass es nichts hinter dem Stoff gibt, was durch Dampf beschädigt werden kann.

HINWEIS: wir empfehlen Ihnen, den Kleidungs-Steamer nicht unmittelbar über Metallaccessoires zu führen. Seien Sie vorsichtig und bedampfen Sie den Bereich rund um Metallaccessoires.

4. Halten Sie die Dampf-Taste gedrückt. Sie werden Vibrationen spüren und einen leichten Summton während des Dampfens hören; dies ist normal, wenn der Dampfkopf von Ihnen abgewandt ist und sich in der aufrechten Position befindet.
5. Drücken Sie leicht die Kleiderbürste gegen das Kleidungsstück, und bewegen Sie Ihren Arm in einer Auf- und Abwärtsbewegung, um gezielt die Falten zu behandeln.
6. Lösen Sie die Dampf-Taste, um den Vorgang zu beenden.

HINWEIS: Vergewissern Sie sich, dass der zu dampfende Stoff während der Bedampfung gestreckt ist, um beste Ergebnisse zu erzielen.

WARNUNG: Der Kleidungs-Steamer erzeugt Dampf von heißen Temperaturen. Fassen Sie den Dampfkopf nicht an, vergewissern Sie sich, dass der Steamer von Ihnen abgewandt ist und sich in der aufrechten Position befindet.

7. Wenn Sie den Kleidungs-Steamer ohne die Kleiderbürste benutzen, halten Sie mindestens 5 cm Abstand zwischen dem Dampfkopf und dem Kleidungsstück.

Vorhänge dampfen

1. Waschen und trocknen Sie Vorhänge wie angegeben, entsprechend der Textilart.
2. Hängen Sie die Vorhänge auf und dampfen Sie diese, wenn sie auf ihrem Platz hängen.
3. Ziehen Sie die Vorhänge leicht während des Dampfvorgangs mit einer Hand, um Falten leichter zu entfernen.

Polsterung dampfen

1. Der Kleidungs-Steamer kann für das Auffrischen von Polsterung, Möbel-Schonbezügen und Möbelkissen benutzt werden. Vor dem Beginn testen Sie den Kleidungs-Steamer immer auf einer kleinen, unauffälligen Stelle des Stoffes.
2. Halten Sie den Kleidungs-Steamer in der aufrechten Position und benutzen Sie diesen in einer Auf- und Abwärtsbewegung. Führen Sie das Gerät leicht über das Gewebe Ihres Möbels. Kissen müssen entfernt und zum Dampfen hochgehalten werden. Lassen Sie die Kissen vollständig trocknen, bevor Sie diese auf dem Möbel erneut platzieren.

HINWEIS: es ist empfohlen, die Kleiderbürste während der Bedampfung von feinen Stoffen, wie zum Beispiel Seide, zu benutzen, um den Einfluss auf die Textilien zu minimieren. Für bessere Ergebnisse, um hartnäckige Falten zu entfernen, nehmen Sie die Kleiderbürste von dem Dampfkopf ab und bedampfen Sie andauernd die gewählte Stelle, bis die Falten verschwunden sind.

WARNUNG: Wenn das Kleidungsstück über Metallaccessoires verfügt, seien Sie vorsichtig und führen Sie den Kleidungs-Steamer nicht unmittelbar über das Metall, da dies zu seiner Verfärbung führen kann.

WARNUNG: trennen Sie den Kleidungs-Steamer vom Netz bevor Sie die Kleiderbürste montieren oder abnehmen.

HINWEIS: benutzen Sie ausschließlich die zur Verfügung gestellten Teile und Zubehör.

HINWEIS: wenn das Gerät durch ein summendes Geräusch laut wird oder kein Dampf erzeugt wird, überprüfen Sie den Wasserstand in dem Wasserbehälter. Dies könnte bedeuten, dass der Kleidungs- Steamer kein Wasser hat und befüllt werden muss.

WARNUNG: benutzen Sie den Kleidungs-Steamer nicht unmittelbar am Körper, an Tieren, oder während Sie die Kleidung anhaben.

Nach jedem Gebrauch

- Drücken Sie auf die Power-Taste, schalten Sie das Gerät aus und trennen Sie das Stromkabel von der Steckdose.
- Öffnen Sie den Wasserbehälter- Einlass (über der Spüle oder einem Eimer) und drehen Sie den Wasserbehälter um, um das Restwasser aus dem Behälter zu entfernen.
- Stellen Sie den Kleidungs-Steamer auf seiner Grundlage in der aufrechten Position und lassen Sie diesen abkühlen.

PFLEGE, REINIGUNG UND LAGERUNG

Pflege und Reinigung

- Entfernen Sie die Kleiderbürste von dem Dampfkopf und reinigen Sie diese mit einem feuchten Tuch.
- Benutzen Sie keine scharfen oder abrasiven Reinigungs- oder Lösungsmittel.
- Platzieren Sie den Kleidungs-Steamer nicht in Wasser oder anderen Flüssigkeiten.
- Lassen Sie das Gerät nicht fallen, werfen Sie dieses nicht und versuchen Sie nicht, den Steamer zu biegen.
- Versuchen Sie nicht, das Gerät auseinanderzubauen.

- Der Kleidungs-Steamer ist für die Haushaltsnutzung entwickelt worden und ist mit Leitungswasser zu benutzen. Gießen Sie kein Parfüm, keinen Essig oder keine anderen Chemikalien in den Behälter. Dieses Gerät ist nicht dafür geeignet, mit diesen Chemikalien zu funktionieren.
- Entleeren Sie den Wassertank nach jedem Gebrauch und spülen Sie diesen mit sauberem Wasser ab.
- Wischen Sie die Außenflächen mit einem feuchten Tuch ab.

- Vermeiden Sie es, das Gerät in feuchten oder nassen Orten zu bedienen.
- Platzieren Sie das Gerät nicht in der Nähe von Hitzequellen oder direktem Sonnenlicht.
- Vergewissern Sie sich immer, dass die Dampfauslass-Öffnung sauber, frei von Kalk und nicht blockiert ist.

HINWEIS: Dieser Kleidungs-Steamer ist für die Nutzung mit normalem Leitungswasser geeignet.

- Sobald der Kleidungs-Steamer von der Steckdose getrennt und abgekühlt ist, und der Wasserbehälter entleert und gereinigt worden ist, wird es empfohlen, das Kabel sicher, um den Steamer zu wickeln und diesen in der aufrechten Position zu lagern.

Lagerung

- Wir empfehlen Ihnen, Ihren Kleidungs-Steamer auf einer flachen Ebene aufzubewahren, wie z.B. in einem Schrank, bis Sie diesen wieder benutzen möchten.

FEHLERSUCHE

Problem	Mögliche Lösung
Der Steamer heizt nicht	<ul style="list-style-type: none">• Überprüfen Sie, ob der Stecker korrekt eingesetzt ist.• Überprüfen Sie die Stromversorgung.• Überprüfen Sie die Power-Taste.
Der Steamer erzeugt keinen Dampf	<ul style="list-style-type: none">• Überprüfen Sie den Wasserstand, und ob der Zufluss von dem Wasserbehälter richtig geschlossen ist.• Drücken Sie auf die Dampf-Aktivierungstaste etwas stärker.• Halten Sie den Steamer in der aufrechten Position.
Wasser läuft aus dem Wasserbehälter über	<ul style="list-style-type: none">• Vergewissern Sie sich, dass das Wasser die MAXIMUM Markierung nicht überschreitet.• Vergewissern Sie sich, dass der Zufluss von dem Wasserbehälter richtig geschlossen ist.• Benutzen Sie den Steamer immer in der aufrechten Position und gemäß der Bedienungsanweisungen.
Der Steamer macht laute summende und pumpende Geräusche	<ul style="list-style-type: none">• Überprüfen Sie den Wasserstand; wenn es kein oder zu wenig Wasser gibt, füllen sie den Wasserbehälter.
Der Steamer scheint Falten nicht so einfach zu entfernen	<ul style="list-style-type: none">• Halten Sie den Steamer in der aufrechten Position and ziehen Sie den Stoff nach unten, um beste Ergebnisse zu erzielen
Unsicher, wann man die Kleiderbürste benutzen soll	<ul style="list-style-type: none">• Während der Bedampfung, den Stoff unmittelbar berühren.• Wenn Sie feine Stoffe, wie z.B. Seide bügeln, um das Risiko von Wassertropfen auf der Kleidung während der Bedampfung zu vermeiden.
Die Verfärbung von Metallaccessoires auf der Kleidung vermeiden	<ul style="list-style-type: none">• Führen Sie den Kleidungs-Steamer nicht unmittelbar über die Metallaccessoires.• Seien Sie vorsichtig und bedampfen Sie den Bereich rund um die Metallaccessoires.

GARANTIE

Die Garantiezeit für unsere Produkte beträgt 2 Jahre, sofern keine anderen Bestimmungen gelten, ab dem Datum des ursprünglichen Kaufs oder ab dem Lieferdatum.

Bei Problemen oder Fragen können Sie sich an unsere Hilfeseiten, Tipps zur Fehlerbehebung, FAQs und Bedienungsanleitungen auf unserer Kundendienst-Website wenden: <https://sav.hkoenig.com>. Wenn Sie den Referenznamen Ihres Geräts in die Suchleiste eingeben, erhalten Sie Zugang zu allen verfügbaren Online-Supports.

Wenn Sie immer noch keine Antwort auf Ihre Frage oder Ihr Problem finden, dann klicken Sie auf "Hat die Antwort Ihr Problem gelöst?". Sie können dieses Formular ausfüllen, um Ihre Anfrage zu bestätigen und Hilfe zu erhalten.

GARANTIEBEDINGUNGEN

Die Garantie deckt alle Defekte ab, die bei normalem, bestimmungsgemäßigem Gebrauch und den in der Bedienungsanleitung enthaltenen Spezifikationen auftreten.

Diese Garantie gilt nicht für Probleme mit der Verpackung oder dem Transport während des Versands des Produkts durch den Eigentümer. Sie umfasst auch nicht den normalen Verschleiß des Produkts, die Wartung oder den Austausch von Verschleißteilen.

AUSSCHLUSS DER GARANTIE

- Zubehör und Verschleißteile (*).
- Die normale Wartung des Geräts.
- Alle Defekte, die durch unsachgemäßen Gebrauch (Stöße, Nichteinhaltung der empfohlenen Stromzufuhr, schlechte Nutzungsbedingungen usw.), unzureichende Wartung oder Zweckentfremdung des Geräts auftreten, sowie die Verwendung von ungeeignetem Zubehör.
- Schäden durch äußere Einflüsse: Brand, Wasserschäden, elektrische Überspannung usw.
- Alle Geräte, die von anderen als den befugten Personen (insbesondere dem Nutzer) auch nur teilweise auseinandergelöst wurden.
- Produkte, deren Seriennummer fehlt, beschädigt oder unleserlich ist, sodass sie nicht identifiziert werden können.
- Produkte, die vermietet, vorgeführt oder ausgestellt werden.

(*). Einige Teile Ihres Geräts, die als Verschleißteile oder Verbrauchsmaterialien bezeichnet werden, verschleiben mit der Zeit und der Häufigkeit der Nutzung Ihres Geräts. Diese Abnutzung ist normal, kann aber durch falsche Nutzung oder Pflege Ihres Geräts noch verstärkt werden. Diese Teile sind daher nicht durch die Garantie abgedeckt.

Das mit dem Gerät gelieferte Zubehör ist ebenfalls von der Garantie ausgeschlossen. Sie können daher weder umgetauscht noch erstattet werden. Einige Zubehörteile können jedoch direkt über unsere Website <https://sav.hkoenig.com/> erworben werden.

UMWELT

ACHTUNG:



Werfen Sie nicht dieses Produkt, wie es mit anderen Haushaltsprodukten hat. Es gibt eine Mülltrennung von diesem Produkt in Gemeinden, Sie müssen Ihre lokalen Behörden über die Orte, wo man dieses Produkt zurückgeben können zu informieren. In der Tat enthalten elektrische und elektronische Produkte gefährliche Stoffe, die schädliche Auswirkungen auf die Umwelt oder die menschliche Gesundheit haben und sollte recycelt werden. Das Symbol hier darauf hinweisen, dass elektrische oder elektronische Geräte sollten sorgfältig ausgewählt werden, ist ein fahrbarer Abfallbehälter mit einem Kreuz markiert.

Adeva SAS / H.Koenig Europe - 8 rue Marc Seguin, 77290 Mitry-Mory, France
www.hkoenig.com - <https://kundenservice.hkoenig.com> - Tél: +33 1 64 67 00 05

NEDERLANDS

BELANGRIJK: BEWAAR UW HANDLEIDING VOOR TOEKOMSTIG GEBRUIK.

Wij geloven dat veiligheid het belangrijkste is voor ieder consumentenproduct, zodat u, onze gewaardeerde klant onze producten veilig en vol vertrouwen kunt gebruiken. Wij vragen u ieder elektrisch apparaat op de juiste manier te gebruiken en op de volgende belangrijke gebruikersinstructies te letten.

BELANGRIJKE VEILIGHEIDSREGELS VOOR UW SNELLE KLEDINGSTOMER

- Dit apparaat kan worden gebruikt door personen met verminderde fysieke, zintuiglijke of mentale vermogens

of met gebrek aan ervaring of kennis, op voorwaarde dat zij onder toezicht staan of instructies hebben gekregen over het veilige gebruik van het apparaat en dat zij de mogelijke gevaren volledig begrijpen.

- Niet het apparaat gebruiken als deze een beschadigde kabel of stekker heeft, als het niet goed werkt of beschadigd of gevallen is.

Als de stroomkabel beschadigd is, moet het worden vervangen door de fabrikant, een servicemonteur of een gelijkwaardig gekwalificeerd persoon om gevaren te vermijden.

- Er moet goed opgelet worden bij gebruik van het apparaat door vrijkomende stoom.
- Altijd de stekker uit het stopcontact halen voor het aanbrengen of verwijderen van de borstel, tijdens het vullen, schoonmaken en ontkalken.
- Lees zorgvuldig alle instructies voor het eerste gebruik van de handzame kledingstomer en bewaar deze voor

toekomstig gebruik.

- Ieder onderhoud op het schoonmaken na moet door een erkend servicecentrum.
- Verwijder al het verpakkingsmateriaal en labels voor het eerste gebruik en voer deze af.
- Om het risico op verstikking van jonge kinderen te voorkomen, verwijder de beschermde kap van de stekker van deze kledingstomer en gooi het weg.
- Plaats de kledingstomer niet bij de rand van een tafel of werkblad tijdens gebruik. Zorg de het oppervlak vlak, schoon en vrij is van water of andere substanties.
- Verzeker altijd dat de kledingstomer juist in elkaar is gezet voor gebruik. Gebruik alleen hulpstukken of accessoires die meegeleverd zijn en worden beschreven in dit boek. Volg de instructies in dit boek.
- Gebruik het apparaat niet in de badkamer of buiten.
- Laat de kledingstomer niet onbeheerd achter als die aangesloten of in werking is.

- Als de kledingstomer langere tijd niet gebruikt gaat worden, haal dan de stekker uit het stopcontact.
- Laat de kledingstomer helemaal afkoelen voor u hem opbergt.
- Plaats de kledingstomer altijd op zijn basis bij opslag. Laat de kledingstomer niet onbeheerd achter als die aangesloten is.
- Sla de kledingstomer niet op met water in de watertank. Altijd de watertank legen na gebruik.
- Raak geen hete oppervlakken aan. Deze kledingstomer laat de gebruiker kleding stomen met een flinke hoeveelheid stoom. Er worden hoge temperaturen bereikt tijdens gebruik die tot verbrandingen kunnen leiden. Altijd uw handen op de nek van de kledingstomer plaatsen bij het vasthouden en waarschuw anderen (vooral kinderen) voor de mogelijke gevaren van stoom, heet water en hete onderdelen, vooral bij het verticaal stomen.

- Bewaar de kledingstomer buiten het bereik van kinderen.
- De kledingstomer moet worden geplaatst op een stevige oppervlak.
- Bij het plaatsen van de kledingstomer op zijn basis, controleer dat het oppervlak waar de basis op wordt gezet stabiel is.
- De kledingstomer mag niet worden gebruikt als de kledingstomer is gevallen, of als er zichtbare tekens zijn van schade of lekkage.
- De kledingstomer is ontworpen voor huishoudelijk gebruik en leidingwater. Doe er geen parfum, azijn of andere chemicaliën in de tank. Dit apparaat is niet ontworpen om te werken met deze chemicaliën.
- Raak niet de stoomkop aan tijdens gebruik. Bij gebruik van de kledingstomer controleer dat de stoomkop van u vandaan wijst en rechtop wijst.
- Altijd eerst de kledingstomer testen op een klein discreet plekje van de te stomen stof, om te controleren dat de

temperatuur van de stoom niet te hoog is voor de stof.

- Om schade aan de kledingstomer te voorkomen, gebruik geen bijtende schoonmaakmiddelen bij het schoonmaken; gebruik een zachte doek en mild schoonmaakmiddel.
- De kledingstomer produceert stoom van hoge temperatuur. Raak niet de stoomkop aan tijdens gebruik. Bij gebruik van de kledingstomer controleer dat de stoomkop van u vandaan wijst en rechtop wijst.
- De kledingstomer heeft een thermische zekering ter bescherming tegen oververhitting. Desondanks mag de kledingstomer niet onbeheerd achtergelaten worden terwijl het aangesloten is op het stopcontact. Er moet extra opgelet worden als er kinderen in het huis/de omgeving van de kledingstomer zijn.
- Vul de watertank niet boven de MAX indicatielijn omdat hierdoor water kan gaan lekken.
- Er zal lekkage van de stoomkop komen als temperatuur

van de kledingstomer niet hoog genoeg is om het water te laten verdampen. Laat daarom altijd de kledingstomer 2 tot 3 minuten opwarmen voor gebruik.

- Nooit de kledingstomer gebruiken bij kleding die iemand aan heeft of stomen in de richting van mensen of dieren.
- Laat de kabel geen hete oppervlakken aanraken.
- Houd de kledingstomer schoon. Volg de schoonmaakinstructies zoals in dit boekje aangegeven.
- Richt het strijijzer nooit op mensen, de stoom kan brandwonden veroorzaken.
- De stoom mag niet rechtstreeks gericht zijn op elektrische apparatuur, voedingskabels of onderdelen die elektrische componenten bevatten (bijvoorbeeld binnenovens, koelkasten, schakelaars en verlichting, magnetrons, schermen).

BELANGRIJKE VEILIGHEIDSREGELS VOOR ALLE

ELEKTRONISCHE APPARATEN.

- Altijd de stekker helemaal afrollen voor gebruik.
- Alleen aansluiten op een 220 tot 240V stopcontact.
- Laat de stroomkabel niet over de rand van een tafel op aanrecht hangen, hete oppervlakte aanraken of in de knoop komen.
- Ter bescherming van elektrische schokken. Niet de stroomkabel, stekker of het apparaat in water of andere vloeistof onderdompelen, of vocht in contact laten komen met een onderdeel. Tenzij dat wordt aangegeven bij de schoonmaakinstructies.
- Het wordt aanbevolen om regelmatig het apparaat te controleren. Om gevaren te vermijden niet het apparaat gebruiken als de stroomkabel, stekker of apparaat op wat voor manier dan ook beschadigd is. Breng het hele apparaat naar de dichtstbijzijnde reparatiecentrum voor onderzoek en reparatie.

- Dit apparaat is alleen voor huishoudelijk gebruik. Gebruik het apparaat niet voor andere doeleinden dan waar het is voor bedoeld. Niet buiten gebruiken of in bewegende voertuigen of boten. Verkeerd gebruik kan verwondingen veroorzaken.
- De installatie van een zekering wordt aanbevolen voor extra veiligheid bij het gebruik van elektrische apparaten. Het wordt aanbevolen dat de zekering niet meer stroom toelaat dan 30mA voor het gebruik van dit apparaat. Vraag uw elektricien voor professioneel advies.
- Altijd het apparaat uitschakelen naar de 'OFF' stand, haal de stekker uit het stopcontact, en verwijder de stroomkabel, als deze verwijderbaar is, van het apparaat en laat de onderdelen afkoelen.
- Plaats het apparaat niet op of bij een warmtebron, zoals een fornuis, oven of kachels.
- Plaats het apparaat minimaal 20cm vandaan van muren, gordijnen en andere warmte of stoom gevoelige

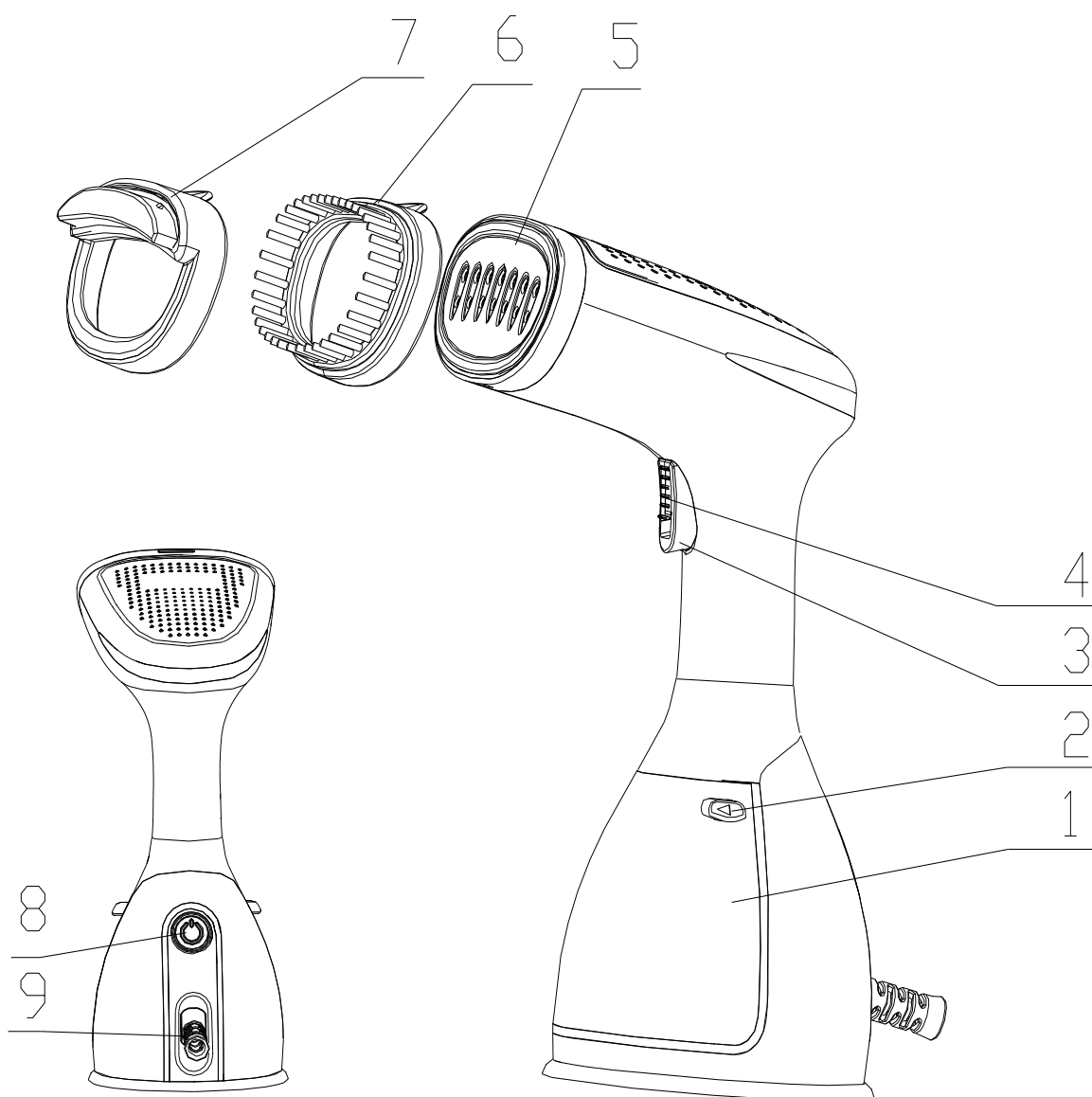
apparaten en geef rondom voldoende ruimte voor luchtcirculatie.

- Reiniging en onderhoud mogen niet worden uitgevoerd door kinderen tenzij ze 8 jaar of ouder zijn en onder toezicht van een volwassene staan.
- Houd het apparaat en het snoer buiten bereik van kinderen onder de 8 jaar.
- Uw apparaat is uitsluitend ontworpen voor huishoudelijk gebruik. Het is niet bedoeld voor gebruik in de volgende situaties, die niet onder de garantie vallen:
 - in personeelskeukens in winkels, kantoren en andere professionele omgevingen,
 - in boerderijherbergen,
 - door gasten in hotels, motels en andere residentiële omgevingen,
 - in bed & breakfast-omgevingen.

- Dit apparaat mag door kinderen vanaf 8 jaar worden gebruikt, mits zij onder toezicht staan of instructies hebben gekregen over het veilige gebruik van het apparaat en de gevaren ervan volledig begrijpen.
- Bij het gebruik van elektrische apparaten moeten altijd veiligheidsmaatregelen worden genomen om het risico van brand, elektrische schokken en/of letsel door verkeerd gebruik te voorkomen.
- Controleer of de op het typeplaatje van het apparaat aangegeven spanning overeenkomt met die van uw elektrische installatie. Is dit niet het geval, neem dan contact op met uw dealer en sluit het apparaat niet aan.
- Het apparaat mag niet worden gebruikt als het is gevallen, als er zichtbare tekenen van schade zijn of als het lekt.
- Bewaar dit document en geef het door aan de toekomstige eigenaar als u het apparaat verkoopt.

- Het apparaat is niet bedoeld om te worden bediend met externe timers of een afstandsbediening.

UW DRAAGBARE KLEDINGSTOMER



1. 280ml grote watertank (verwijderbaar)
2. watertank-verwijderknop
3. stoomknop
4. stoomvastzetknop
5. stoomkop
6. stofborstel (verwijderbaar)
7. lintborstel (verwijderbaar)

8. hoofdknop met lichtindicatie.
9. kabelbescherming

UW KLEDINGSTOMER GEBRUIKEN

Voor het eerste gebruik

Verwijder stickers of andere bescherming van de stoomkop.

Voor gebruik de kabel afrollen en leg deze recht neerleggen.

Voor het eerste gebruik van de kledingstomer, laat hem een paar minuten stomen. Op deze manier kunnen eventuele onreinheden en geurtjes van het productieproces verdwijnen.

Als u voor het eerst de kledingstomer gebruikt kunt u misschien beter eerst oefenen op een oud stukje stof voor u met uw kleding begint.

Waarschuwing: om overbelasting van het elektrisch circuit te vermijden wordt het aanbevolen geen andere apparaten op hetzelfde circuit te gebruiken als de kledingstomer.

Opmerking: bij het uitpakken van de kledingstomer, controleer dat alle items van de onderdelenlijst aanwezig zijn, voordat u de verpakking afvoert.

Assemblage/gebruik van uw kledingstomer

1. druk op de watertank losmaakknop, haal de watertank eruit, open de waterinlaat en vul de watertank totdat het MAXIMUM bereikt wordt (zie fig. 1). Controleer dat de watertank altijd minimaal voor een derde is gevuld. Ga niet over het MAXIMUM heen bij het vullen van de tank. Plaats de watertank weer terug.
2. houd het apparaat met uw hand vast bij de nek van de kledingstomer. Rechtop , gebruik uw andere hand om de stofborstel op de stoomkop te plaatsen. De stofborstel kan op beide manieren geplaatst worden en als die juist geplaatst wordt hoort u een 'klik'.
3. Verbind het apparaat met het stopcontact en schakel deze in. druk de hoofdknop, de hoofdindicator zal gaan knipperen, het apparaat begint op te warmen. De indicator zal continu gaan branden als hij opgewarmd is, u kunt dan beginnen. Schakel de stomer uit door op de hoofdknop 'OFF' te drukken. Als het apparaat uit is zal de indicator uitgaan.
4. als het water gevuld is tot het MAXIMUM en het apparaat aangesloten is op het stopcontact, laat de kledingstomer opwarmen voor gebruik.
5. Deze kledingstomer heeft een intelligente automatische uitschakelfunctie. Als de gebruiker langere tijd het apparaat niet gebruikt, zal het apparaat zichzelf uitschakelen, waardoor ongelukken kunnen worden voorkomen en ook stroom bespaard.

Hoe u uw kleding stoomt

De kledingstomer is gemakkelijk in gebruik en uitermate geschikt voor het verwijderen van vouwen/plooien uit kleding en gordijnen alsook voor het opfrissen van stoffen.

Het kan worden gebruikt op de meeste stoffen, zolang de stof hangt of waar de kledingstomer gemakkelijk rechtop kan worden gebruikt en makkelijk omhoog en omlaag kan.

NOTITIE: de kledingstomer is ontworpen voor het gebruik rechtop bij hangende kleding. Gebruik het niet in een horizontale positie.

1. controleer dat er ventilatie achter de stof is, anders kan de vochtigheid voor schimmel zorgen.
2. controleer dat de zakken van de kleding leeg zijn en dat accessoires als manchetknopen verwijderd zijn en geen pijpen of mouwen zijn omgeslagen.
3. hang de kleding aan een hanger en trek zachtjes aan de kleding met één hand en controleer dat er niets achter de stof zit wat beschadigd kan worden door stoom.

NOTITIE: we raden aan niet over metalen accessoires te stomen. Wees voorzichtig bij het stomen rond metalen accessoires.

4. druk de stoomknop in en houd deze ingedrukt. U zult vibraties voelen en een zacht zoemgeluid horen tijdens het stomen; dit is normaal, stoom van u vandaan en rechtop.

5. druk voorzichtig met de stofborstel tegen de kleding, beweeg uw arm op en neer op zoek naar de vouwen in de kleding.
6. laat de stoomknop los om het stomen te laten stoppen.
NOTITIE: verzeker dat er licht aan de kleding getrokken wordt bij het stomen voor het beste resultaat.
WAARSCHUWING: De kledingstomer produceert stoom van hoge temperatuur. Raak niet de stoomkop aan tijdens gebruik, controleer dat de stoomkop van u vandaan wijst en rechtop wijst.
7. als u de kledingstomer zonder stofborstel gebruikt, houd dan minimaal 5cm afstand tussen de stoomkop en de kleding.

Hoe gordijnen stomen

1. was en droog gordijnen zoals aanbevolen voor het type stof.
2. hang de gordijnen op en stoom ze als ze op hun plek hangen.
3. zachtjes aan de gordijnen trekken tijdens het stomen laat de vouwen sneller verdwijnen.

Hoe bekleding stomen

1. de kledingstomer kan ook gebruikt worden voor het verfrissen van bekleding, hoeslaken over meubels en kussens. Voor het stomen altijd eerst proberen op een stukje stof wat normaal niet zichtbaar is.
2. houd de kledingstomer rechtop en gebruik het in een op- en neergaande beweging. Lichtjes stomen over de stof van uw meubels. Kussens dienen te worden verwijderd en dienen rechtop te worden gehouden voor het stomen. Laat de kussen goed drogen voor het terugplaatsen.

NOTITIE: het wordt aanbevolen om de stofborstel te gebruiken bij het stomen van delicate stoffen zoals zijde, dit zal het risico op schade aan de stof tijdens het stomen verminderen. Voor betere resultaten voor lastige vouwen, verwijder dan de stofborstel van de stoomkop en blijf stomen op de probleemplek tot de vouwen weg zijn.

WAARSCHUWING: als de kleding metalen accessoires heeft, wees dan voorzichtig en houd de kledingstomer dan niet direct over het metaal omdat hierdoor het metaal kan verkleuren.

WAARSCHUWING: altijd de stekker uit de stopcontact halen bij het plaatsen of verwijderen van de stoomborstel.

NOTITIE: alleen de meegeleverde hulpstukken en accessoires gebruiken.

NOTITIE: als het apparaat hard begint te zoemen en er komt geen stoom meer, controleer dan het waterniveau van de watertank. Dit kan aangeven dat de kledingstomer geen water meer heeft en bijgevuld dient te worden.

WAARSCHUWING: niet de kledingstomer direct gebruiken op een lichaam, dieren of kleding die gedragen wordt.

Na ieder gebruik

- Druk op de hoofdknop, schakel het apparaat uit en haal de stekker uit het stopcontact.
- Open de watertankinlaat en (boven een emmer of gootsteen) houd de watertank ondersteboven om het overgebleven water te verwijderen.
- Plaats de kledingstomer op zijn basis, rechtop, en laat het afkoelen.

ONDERHOUD, SCHOONMAKEN EN OPSLAG

Onderhoud en schoonmaken

- Verwijder de stofborstel van de stoomkop en maak deze schoon met een vochtige doek.
- Gebruik geen ruwe of bijtende schoonmaakmiddelen of stoffen.
- Dompel de kledingstomer niet onder in water of een andere vloeistof.
- Laat de stomer niet vallen, gooi er niet mee en probeer hem niet te buigen.
- Probeer het apparaat niet uit elkaar te halen.
- De kledingstomer is ontworpen voor alleen huishoudelijk gebruik en leidingwater. Doe er geen parfum, azijn of andere chemicaliën in de tank. Het apparaat is niet ontworpen om te werken met deze chemicaliën.
- Altijd de watertank leegmaken na ieder gebruik en afspoelen met schoon water.
- Maak de buitenkant schoon met een vochtige doek.
- Gebruik het apparaat niet in vochtige plek.
- Plaats het apparaat niet bij een warmtebron of in direct

zonlicht.

- Altijd controleren dat de opening waar de stoom uit komt vrij is van kalk en niet geblokkeerd is.

NOTITIE: deze kledingstomer is ontworpen voor gebruik met normaal leidingwater.

- Als de stekker van de kledingstomer uit het stopcontact is gehaald, hij is afgekoeld en de water uit de watertank is gehaald, wordt het aanbevolen de stekker om de kledingstomer te rollen en hem rechtop weg te zetten.

Opslag

- We raden aan uw kledingstomer op een vlakke ondergrond te plaatsen, zoals een kast, tot het volgende gebruik.

PROBLEEMOPLOSSING HANDLEIDING

Probleem	Mogelijke oplossing
De kledingstomer wordt niet warm	<ul style="list-style-type: none">• Controleer dat de stekker goed geplaatst is.• Controleer de stroomtoevoer.• Controleer de hoofdknop.
De kledingstomer produceert geen stoom.	<ul style="list-style-type: none">• Controleer het waterniveau en kijk of de waterinlaat goed afgedicht is.• Druk harder op de stoomknop.• Houd de kledingstomer rechtop.
Water lekt uit de watertank	<ul style="list-style-type: none">• Controleer dat het water niet boven het MAXIMUM gevuld is.• Controleer dat de waterinlaat goed afgedicht is.• Altijd de stomer rechtop gebruiken zoals aangegeven in de gebruikersinstructies.
De stomer maakt een luid zoem- of pompgeluid.	<ul style="list-style-type: none">• Controleer het waterniveau; als er geen water is of te laag is, vul dan water bij.
De stomer lijkt vouwen niet makkelijk te laten verdwijnen	<ul style="list-style-type: none">• Houd de stomer rechtop en trek de kleding zachtjes naar beneden voor het beste resultaat.
Niet zeker weten wanneer de stofborstel gebruikt moet worden	<ul style="list-style-type: none">• Gebruik hem als de stoom direct de stof raakt.• Bij het stomen van delicate stoffen, zoals zijde, vermindert het het risico op druppelend water op de kleding tijdens het stomen.
Vermijd verkleuring van metalen accessoires van de kleding.	<ul style="list-style-type: none">• Ga niet direct met de kledingstomer over metalen accessoires.• Wees voorzichtig met het stomen rond metalen accessoires.

GARANTIE

De garantieperiode op onze producten is 2 jaar, tenzij anders vermeld, beginnend vanaf de datum van de initiële aankoop of bezorgdatum.

Als u problemen of vragen heeft, kunt u eenvoudig onze hulppagina's bezoeken voor tips om problemen op te lossen, de FAQ's en andere gebruikershandleidingen op onze website: <https://sav.hkoenig.com>.

Door de referentiernaam van uw apparaat in de zoekbalk te typen, krijgt u toegang tot alle beschikbare online hulpmiddelen, ontworpen om aan uw behoeften te voldoen.

Als u toch niet geen antwoord op uw vraag kunt vinden, klik dan op "Heeft het antwoord uw probleem opgelost? Hierdoor gaat u naar het Aanvraagformulier voor Klantenondersteuning, dat u in kunt vullen om uw verzoek te valideren en hulp te ontvangen.

GARANTIEVOORWAARDEN

De garantie dekt alle mankementen die voortkomen uit normaal gebruik, volgens de sectie gebruik en specificaties in de gebruikershandleiding.

Deze garantie omvat niet verpakkings- of transportproblemen tijdens het vervoer van het product door de eigenaar. Het omvat ook niet de normale slijtage van het product, noch het onderhoud of vervangen van verbruiksartikelen.

UITSLUITINGEN VAN DE GARANTIE

- Accessoires en verbruiksartikelen (*).
- Normaal onderhoud van het apparaat.
- Alle mankementen veroorzaakt door verkeerd gebruik (schokken, het niet opvolgen van de aanbevolen stroomvoorziening, in slechte omstandigheden gebruiken, etc.), onvoldoende onderhoud of ondeugdelijk gebruik van het apparaat, alsook het gebruik van ongeschikte accessoires.
- Schade van buitenaf: vuur, waterschade, elektrische stroompiek, etc.
- Apparaten die uit elkaar zijn gehaald, ook gedeeltelijk, door personen die niet er niet gekwalificeerd voor zijn (zoals de gebruiker).
- Producten waarvan het serienummer verdwenen, beschadigd of onleesbaar is, waardoor we het niet kunnen identificeren.
- Producten die verhuurd werden of ter demonstratie of showmodel waren.

(*) Sommige onderdelen van uw apparaat, genaamd verbruiksartikelen, slijten naar verloop van tijd en bij veel gebruik van uw apparaat. Deze slijtage is normaal, maar kan verergerd worden door slechte omstandigheden of onderhoud van uw apparaat. Deze onderdelen worden daarom niet gedekt door de garantie.

De accessoires meegeleverd met het apparaat zijn ook uitgesloten van de garantie. Ze kunnen niet vervangen of gerestitueerd worden. Echter, sommige accessoires zijn te koop via onze website: <https://sav.hkoenig.com/>.

MILIEU

ATTENTIE:



Dit apparaat mag niet met uw ander huishoudelijke toestellen worden verwijderd. Dit product moet op een geselecteerde stortplaats verwijderd worden. U kunt bij de gemeente een indiceerde plaats aanvragen. Elektrisch en elektronische producten kunnen gevaarlijke stoffen inhouden die schadelijk zijn voor mensen en het milieu en moet recycled worden. Het symbool aan de kant geeft aan dat het een elektrisch en elektronisch toestel is en zijn dus artikelen van een selectieve collectie. Het beeld geeft een afvalbak met een X teken aan.

Adeva SAS / H.Koenig Europe - 8 rue Marc Seguin, 77290 Mitry-Mory, France
www.hkoenig.com - <https://en.hkoenig.com> - Tél: +33 1 64 67 00 05

ESPAÑOL

IMPORTANTE: CONSERVE SU MANUAL DE INSTRUCCIONES PARA USO FUTURO.

Creemos que el desempeño seguro es la primera prioridad en cualquier producto de consumo, para que usted, nuestro valioso cliente, pueda usarlo con seguridad y confiar en nuestros productos. Le pedimos que cualquier aparato eléctrico que utilice sea operado de manera sensata, con el debido cuidado y atención puesta en las siguientes instrucciones de funcionamiento importantes.

INSTRUCCIONES DE SEGURIDAD IMPORTANTES PARA SU VAPORIZADOR DE ROPAS

- Este aparato puede ser utilizado por personas con capacidades físicas, sensoriales o mentales reducidas o

con falta de experiencia o conocimientos, siempre que sean supervisadas o instruidas en el uso seguro del aparato y que entiendan perfectamente los peligros potenciales.

- No opere este aparato si tiene el cable de alimentación o el enchufe dañado, si no funciona correctamente o si se ha caído.

Si el cable de alimentación está dañado, debe ser reemplazado por el fabricante, su agente de servicio o una persona con calificaciones similares para evitar peligros.

- Se debe tener cuidado al usar el aparato debido a la emisión de vapor.
- Siempre desenchufe el vaporizador de ropas antes de colocar o desmontar el cepillo de tela, durante el llenado, la limpieza y la descalcificación.
- Lea atentamente el manual de instrucciones antes de utilizar el vaporizador de ropas por primera vez y

guárdelo para futuras referencias.

- Cualquier mantenimiento que no sea la limpieza debe realizarse en un centro de servicio autorizado.
- Retire y deseche de forma segura cualquier material de embalaje y etiquetas promocionales antes de utilizar el vaporizador de ropas por primera vez.
- Para eliminar el peligro de asfixia en niños pequeños, retire y deseche de forma segura la cubierta protectora que se encuentra en el enchufe de alimentación de este aparato.
- No coloque el vaporizador de ropas cerca del borde de un banco o mesa durante el funcionamiento. Asegúrese de que la superficie esté nivelada, limpia y libre de agua u otras sustancias.
- Siempre asegúrese de que el vaporizador de ropas esté correctamente ensamblado antes de usarlo. Utilice solo los dispositivos o accesorios suministrados y especificados en este manual. Siga las instrucciones

proporcionadas en este manual de instrucciones.

- No usar al aire libre o en baños.
- No deje el vaporizador de ropas desatendido cuando esté conectado o en uso.
- Si el vaporizador de ropas no se utiliza durante un período prolongado, desconéctelo del tomacorriente.
- Deje que el vaporizador de ropas se enfríe completamente antes de guardarlo.
- Siempre coloque el vaporizador de ropas en su base cuando lo almacene. No deje el vaporizador de ropa desatendido mientras está conectado.
- No guarde el vaporizador de ropas con agua en el tanque de agua. Siempre vacíe el tanque después del uso.
- No toque las superficies calientes. Este vaporizador de ropas permite al usuario vaporizar prendas con un gran flujo de vapor. Durante el uso se generan altas temperaturas que pueden causar quemaduras. Siempre coloque sus manos en el cuello del vaporizador de ropas

cuando lo sostenga y advierta a otros (especialmente a los niños) sobre los posibles peligros de quemaduras por vapor, agua caliente o partes calientes, especialmente cuando la prenda se vaporiza verticalmente.

- Guarde el vaporizador de ropas fuera del alcance de los niños.
- El vaporizador de ropas debe usarse y apoyarse sobre una superficie estable.
- Cuando coloque el vaporizador de ropas en su base, asegúrese de que la superficie sobre la que se coloca la base es estable.
- El vaporizador de ropas no debe usarse si se ha caído, si hay signos visibles de daños o si está goteando.
- El vaporizador de ropas está diseñado para uso doméstico y para ser utilizado con el agua del grifo. No ponga perfume, vinagre u otros productos químicos en el tanque. Este aparato no está diseñado para funcionar con estos productos químicos.

- No toque la cabeza de vapor durante el uso. Cuando utilice el vaporizador de ropas, asegúrese de que la cabeza de vapor no esté dirigida hacia usted y se encuentre en posición vertical.
- Pruebe siempre el vaporizador de ropas sobre una parte pequeña y discreta de la tela que será vaporizada para asegurarse de que las temperaturas no sean demasiado altas.
- Para evitar daños al vaporizador de ropas, no use detergentes alcalinos para limpiar; Use un paño suave y detergente suave.
- El vaporizador de ropa genera vapor de alta temperatura. No toque la cabeza de vapor durante el uso. Cuando utilice el vaporizador de ropas, asegúrese de que la cabeza de vapor no esté dirigida hacia usted y se encuentre en una posición vertical.
- El vaporizador de ropas tiene incorporado un fusible de seguridad térmico para protegerlo del recalentamiento.

Sin embargo, el vaporizador de ropas no debe dejarse desatendido mientras está conectado al tomacorriente. Siempre se debe tener especial cuidado cuando haya niños en el hogar cerca del vaporizador de ropas.

- No llene el tanque de agua más allá de la línea del indicador MAX, ya que esto puede causar que el agua se filtre.
- Es posible que haya una fuga en la cabeza de vapor si la temperatura del vaporizador de ropas no es lo suficientemente alta como para vaporizar el agua y generar vapor. Por lo tanto, asegúrese de precalentarlo durante 2-3 minutos antes de usarlo.
- Nunca use el vaporizador de ropas cuando la ropa está sobre el cuerpo o dirija el vapor hacia personas o animales.
- No permita que el cable toque superficies calientes.
- Mantenga el vaporizador de ropas limpio. Siga las instrucciones de limpieza proporcionadas en este manual

de instrucciones.

- No utilice la plancha orientado hacia las personas ya que el vapor emitido podría causar quemaduras.
- El vapor no debe dirigirse directamente a equipos eléctricos, cables de red o piezas que contengan componentes eléctricos (por ejemplo, dentro de hornos, frigoríficos, interruptores y luces, hornos de microondas, pantallas).

INSTRUCCIONES IMPORTANTES PARA TODOS LOS ELECTRODOMÉSTICOS

- Desenrolle completamente el cable de alimentación antes de usarlo.
- Conecte solo a un tomacorriente de 220- 240V.
- No deje que el cable de alimentación cuelgue sobre el borde de un banco o mesa, toque superficies o que se anude.
- Para protegerse contra descargas eléctricas, no sumerja el cable de alimentación, el enchufe o el aparato en agua ni en ningún otro líquido, ni permita que la humedad entre en contacto con las piezas. A menos que se recomiende en las instrucciones de limpieza.
- Se recomienda inspeccionar regularmente el aparato para evitar riesgos, no utilice el aparato si el cable de alimentación, el enchufe o el mismo se dañan de alguna

manera. Devuelva el aparato al centro de servicio autorizado más cercano para que lo examinen y reparen.

- Este aparato es solo para uso doméstico. No lo utilice para otra cosa que no sea el uso previsto. No utilizar en vehículos o embarcaciones en movimiento. No usar al aire libre. El mal uso puede causar lesiones.
- Se recomienda la instalación de un dispositivo de corriente residual (interruptor de seguridad) para proporcionar protección adicional cuando se utilizan aparatos eléctricos. Es recomendable que se instale un interruptor de seguridad con una corriente nominal de funcionamiento residual que no exceda los 30 mA en el circuito eléctrico que alimenta el aparato. Consulte a su electricista para obtener asesoramiento profesional.
- Lleve siempre el aparato a la posición "OFF" (apagado), desenchúfelo del tomacorriente, retire el cable de alimentación si es desmontable y deje que todas las

partes se enfríen.

- No coloque este aparato sobre o cerca de una fuente de calor, como una placa caliente, un horno o calentadores.
- Coloque el aparato a una distancia mínima de 20 cm de las paredes, cortinas y otros materiales sensibles al calor o al vapor y proporcione un espacio adecuado por encima y por todos los lados para la circulación de aire.
- La limpieza y mantenimiento de la máquina no debe ser efectuada por niños a menos que tengan como mínimo 8 años de edad y cuenten con la supervisión de un adulto.
- Mantenga el aparato y su cable eléctrico fuera del alcance de niños de menos de 8 años.
- Su aparato ha sido diseñado únicamente para uso doméstico. No ha sido diseñado para ser utilizado en las siguientes situaciones que no están cubiertas por la garantía:

- en áreas de cocina para el personal en tiendas, oficinas y otros entornos profesionales,
- en albergues agrícolas,
- en hoteles, moteles y otros entornos residenciales,
- en entornos de tipo bed and breakfast.

Este aparato puede ser utilizado por niños a partir de 8 años, siempre que sean supervisados o instruidos en el uso seguro del aparato y que entiendan perfectamente los peligros que conlleva.

Cuando se utilicen aparatos eléctricos, deben tomarse siempre precauciones de seguridad para evitar el riesgo de incendio, descarga eléctrica y/o lesiones por mal uso.

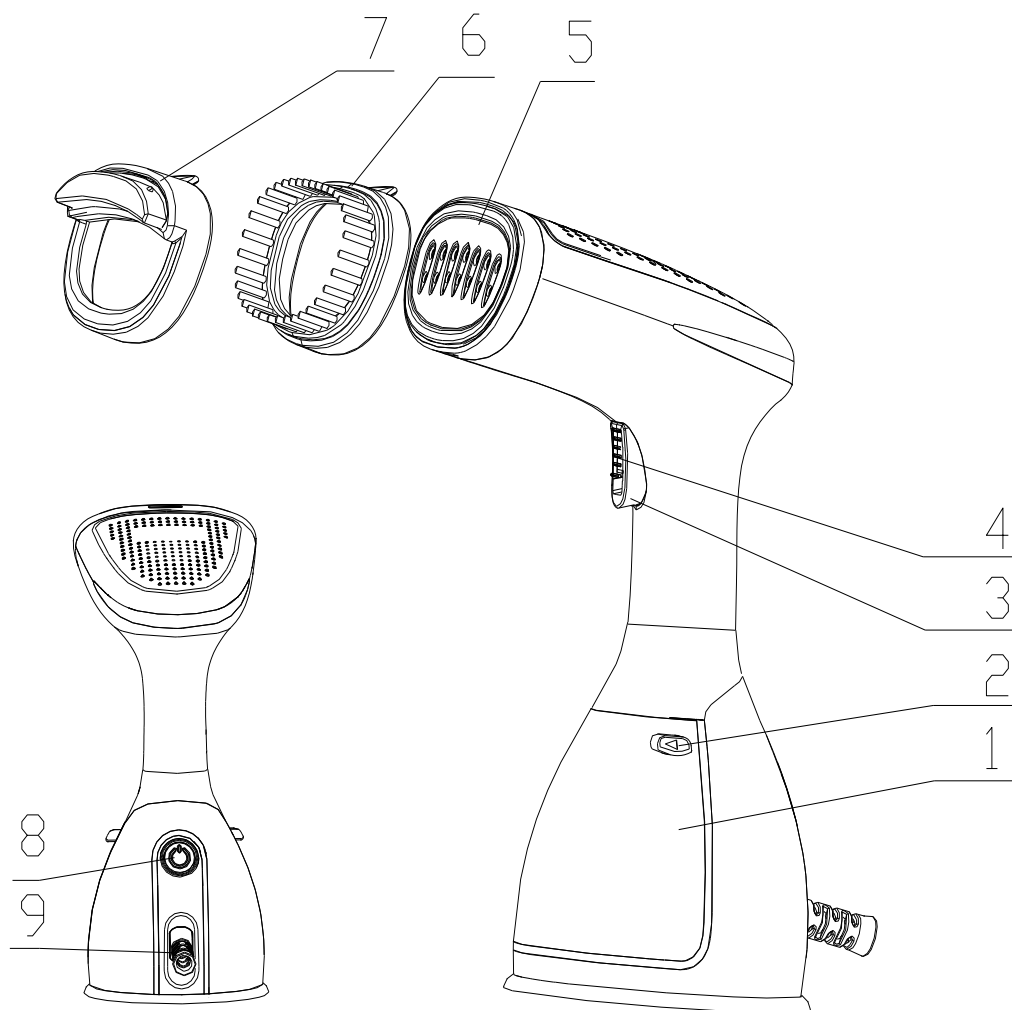
Compruebe que la tensión indicada en la placa de características del aparato se corresponde con la de su instalación eléctrica. Si no es así, póngase en contacto con su distribuidor y no conecte el aparato

El aparato no debe utilizarse si se ha caído, si tiene signos visibles de daños o si tiene fugas.

Conserve este documento y entréguelo al futuro propietario si vende su aparato

El aparato no está destinado a ser operado por temporizadores externos o un sistema de control remoto

PARTES DEL VAPORIZADOR DE ROPAS PORTÁTIL



1. Tanque de agua grande de 280 ml (extraíble)
2. Botón para liberar el tanque de agua
3. Botón para activar el vapor
4. Interruptor de bloqueo de vapor
5. Cabeza de vapor
6. Cepillo para tela (extraíble)
7. Cepillo para pelusas (extraíble)
8. Botón de encendido con indicador luminoso
9. Protector del cable

USANDO SU VAPORIZADOR DE ROPAS PORTÁTIL

Antes del primer uso

Retire cualquier etiqueta o cubierta protectora de la cabeza de vapor.

Desenrolle y enderece el cable de alimentación antes de usarlo.

Cuando utilice el vaporizador de ropas por primera vez, deje que se caliente durante unos minutos. Esto eliminará las impurezas y olores que puedan haber quedado en el proceso de fabricación.

Cuando utilice el vaporizador de ropas por primera vez, es posible que desee probar el vaporizador sobre una pieza de tela vieja antes de usarlo sobre su ropa.

Advertencia: para evitar una sobrecarga de los circuitos eléctricos, se recomienda que no se enchufe ningún otro aparato en el mismo circuito que el vaporizador de ropas cuando está en uso.

Nota: al desembalar el vaporizador de ropas, compruebe que ha recibido todos los artículos enumerados en la lista de piezas, antes de desechar el embalaje.

Montaje/funcionamiento de su vaporizador de ropas.

1. Presione el botón de liberación del tanque de agua, saque el tanque de agua, abra la tapa de la entrada de agua y llene con el agua del grifo el tanque hasta que alcance el nivel MÁXIMO (ver flg.1). Asegúrese de que el tanque de agua esté al menos un tercio lleno. No exceda el nivel MÁXIMO al llenar el tanque de agua. Vuelva a colocar el tanque de agua en su lugar.
2. Sostenga el aparato en posición vertical con la mano colocada de manera segura en el cuello del vaporizador de ropas. Use la otra mano para colocar el cepillo para tela en la cabeza de vapor. El cepillo para tela se puede unir de cualquier manera y se bloqueará en su posición con un “clic” audible.
3. Conecte el aparato a un tomacorriente y enciéndalo. Mantenga presionado el botón de encendido, el indicador luminoso parpadeará. Cuando las luces dejan de parpadear el precalentamiento termina, usted puede comenzar a usar el aparato. Apague el vaporizador presionando el botón de encendido. Cuando el aparato está apagado, la luz indicadora se apagará.
4. Una vez que el tanque de agua se llena al nivel MÁXIMO y el aparato está conectado al tomacorriente, permita que el vaporizador de ropas se precaliente antes de usarlo.
5. Este vaporizador de ropas tiene una función inteligente de apagado automático. Cuando el usuario deja de operar durante un cierto tiempo, el circuito de control interno cortará la fuente de alimentación, evitando que ocurra un accidente y ahorrando electricidad.

Como vaporizar su ropa

El vaporizador de ropas es fácil de usar y es perfecto para eliminar arrugas/pliegues de prendas de vestir y cortinas, así como telas de decoración. Se puede usar en la mayoría de las telas siempre que la tela esté colgada o donde el vaporizador de ropas se pueda usar fácilmente en posición vertical, moviéndose sobre la tela hacia arriba y hacia abajo.

NOTA: el vaporizador de ropas está diseñado para ser utilizado en posición vertical en las prendas colgadas. Absténgase de usar el vaporizador en o sobre las prendas en posición horizontal.

1. Verifique que haya ventilación detrás de la tela; de lo contrario la humedad puede acumularse y causar moho.
2. Verifique que los bolsillos de la ropa estén vacíos y que las vueltas, como los puños y los dobladillos, estén hacia abajo.
3. Cuelgue la prenda de una percha y estire la tela ligeramente con una mano, comprobando que no hay nada detrás de la tela que pueda dañarse con el vapor.

NOTA: le recomendamos que no vaporice los accesorios de metal. Tenga cuidado y vaporice alrededor de los mismos.

4. Presione y mantenga presionado el botón de vapor. Sentirá vibraciones y escuchará un zumbido sutil mientras vaporiza; esto es normal. Asegúrese de mantener el vapor lejos de usted y el aparato en posición vertical.

5. Presione suavemente el cepillo para tela contra la prenda, moviendo su brazo hacia arriba y hacia abajo, apuntando a las arrugas en la tela.

6. Suelte el botón de vapor para detener el vapor.

NOTA: asegúrese de que la tela a vaporizar se estire mientras se vaporiza para obtener mejores resultados.

ADVERTENCIA: el vaporizador de ropas genera altas temperaturas no toque la cabeza de vapor, asegúrese de que el vapor no esté dirigido hacia usted y el aparato en posición vertical.

7. Si utiliza el vaporizador de ropas sin el cepillo para tela, mantenga una distancia de al menos 5 cm entre la cabeza de vapor y la prenda.

Vaporizar cortinas

1. Lave y seque las cortinas según las indicaciones para el tipo de tejido.

2. Cuelgue las cortinas en su lugar y vaporícelas.

3. Extienda ligeramente las cortinas con una mano mientras vaporiza para ayudar a eliminar las arrugas más fácilmente.

Vaporizar tapicerías

1. El vaporizador de ropas se puede utilizar para ayudar a refrescar tapicerías, deslizantes y cojines de los muebles y habitaciones. Antes de vaporizar siempre pruebe en un área pequeña de la tela que no sea visible.

2. Mantenga el vaporizador de ropas en posición vertical y úselo con movimientos ascendentes y descendentes. Vaporice ligeramente sobre la tela de sus muebles. Los cojines deben retirarse y mantenerse en posición vertical para la vaporización. Permita que los cojines se sequen completamente antes de volver a colocarlos en los muebles.

NOTA: se recomienda que utilice el cepillo para tela cuando vaporice telas delicadas como la seda. Para obtener un mejor resultado al eliminar las arrugas rebeldes, retire el cepillo para tela de la cabeza de vapor y vaporice continuamente el área seleccionada hasta que se eliminen las arrugas.

ADVERTENCIA: si la prenda tiene accesorios de metal, tenga cuidado y no deje que el vaporizador de ropas se coloque directamente sobre el metal, ya que podría decolorarlo.

ADVERTENCIA: desenchufe el vaporizador antes de poner o quitar el cepillo para tela.

NOTA: utilice únicamente los accesorios suministrados.

NOTA: si el aparato emite un zumbido fuerte y no genera vapor, verifique el nivel de agua en el tanque, esto puede indicar que el vaporizador no tiene agua y necesita ser rellenado.

ADVERTENCIA: no utilice el vaporizador de ropas directamente sobre el cuerpo mientras usa las prendas o en animales.

Después de cada uso

- Presione el botón de apagado y retire el enchufe del tomacorriente.
- Abra la entrada del tanque de agua y (sobre un fregadero o cubeta) invierta el tanque para vaciar el agua restante.
- Coloque el vaporizador de ropas en su base, en posición vertical y deje que se enfríe.

LIMPIEZA, MANTENIMIENTO Y ALMACENAMIENTO

Limpieza y mantenimiento

- Retire el cepillo para tela de la cabeza de vapor y límpielo con un paño húmedo.
- No utilice productos de limpieza o disolventes fuertes o abrasivos.
- No ponga el vaporizador de ropas en agua o en cualquier otro líquido.
- No deje caer, tire o intente doblar el vaporizador.
- No intente desmontar el aparato.
- El vaporizador de ropas está diseñado para uso doméstico solamente y para ser utilizado con agua corriente normal. No ponga perfume, vinagre u otros productos químicos en el tanque. El aparato no está diseñado para funcionar con estos productos químicos.
- Vacíe siempre el depósito de agua después de cada uso y enjuague con agua limpia.

- Limpie las superficies externas con un paño húmedo.
- Evite utilizar el aparato en lugares húmedos o mojados.
- No coloque el aparato cerca de una fuente de calor o de la luz solar directa.
- Siempre asegúrese de que el orificio de salida de vapor esté limpio, libre de incrustaciones y que no esté bloqueado.

NOTA: este vaporizador de ropas está diseñado para utilizar agua normal del grifo.

- Una vez que el vaporizador de ropas ha sido desconectado del tomacorriente, déjelo enfriar completamente, vacíe el tanque de agua y límpielo, se recomienda enroscar el cable de alimentación alrededor del vaporizador, almacene el mismo en posición vertical.

Almacenamiento

- Le recomendamos que guarde el vaporizador de ropas en una superficie plana, como en un armario, hasta que llegue el momento de usarlo de nuevo.

GUÍA PARA RESOLVER PROBLEMAS

Problemas	Posibles soluciones
El vaporizador no se calienta	<ul style="list-style-type: none">● Compruebe que el enchufe esté insertado correctamente al tomacorriente.● Compruebe la fuente de alimentación.● Compruebe el botón de encendido.
El vaporizador no produce vapor	<ul style="list-style-type: none">● Compruebe el nivel de agua y si la tapa del tanque está correctamente cerrada.● Presione el botón de activación del vapor más fuerte.● Sostenga el vaporizador en posición vertical.
Derrames de agua del tanque de agua	<ul style="list-style-type: none">● Asegúrese de que el agua no esté sobre el nivel MÁXIMO.● Asegúrese de que la tapa del tanque de agua esté bien cerrada.● Utilice siempre el vaporizador en posición vertical según las instrucciones de uso.
El vaporizador está produciendo un fuerte sonido de zumbido o bombeo	<ul style="list-style-type: none">● Comprobar el nivel del agua; Si no hay agua o el nivel está muy bajo, vuelva a llenar el tanque.
El vaporizador no parece estar quitando las arrugas fácilmente	<ul style="list-style-type: none">● Sostenga el vaporizador en una posición vertical y estire la tela hacia abajo para asegurar mejores resultados
No está seguro de cuándo usar el cepillo para tela	<ul style="list-style-type: none">● Úselo cuando el vapor toque directamente la tela.● Al vaporizar telas delicadas, como la seda, para reducir el riesgo de que el agua gotee sobre la prenda mientras se vaporiza.
Evitar la decoloración de accesorios metálicos en la prenda	<ul style="list-style-type: none">● No coloque directamente el vaporizador de ropa sobre los accesorios metálicos.● Tenga cuidado y vaporice alrededor de los accesorios de metal.

GARANTÍA

El periodo de garantía de nuestros productos es de 2 años, salvo que la ley estipule lo contrario, a partir de la fecha de la compra inicial o de la fecha de entrega.

Si tiene algún problema o pregunta, puede acceder fácilmente a nuestras páginas de ayuda, consejos para solucionar problemas, preguntas frecuentes y manuales de usuario en nuestro sitio de servicio: <https://sav.hkoenig.com>.

Al escribir el nombre de referencia de su dispositivo en la barra de búsqueda, puede acceder a toda la asistencia en línea disponible, diseñada para satisfacer mejor sus necesidades.

Si sigue sin encontrar una respuesta a su pregunta o problema, haga clic en "¿La respuesta ha resuelto su problema? Esto le llevará al formulario de solicitud de asistencia posventa, que puede rellenar para validar su solicitud y obtener ayuda.

CONDICIONES DE GARANTÍA

La garantía cubre todos los fallos que se produzcan en el contexto de un uso normal, de acuerdo con los usos y especificaciones del manual de usuario.

Esta garantía no se aplica a los problemas de embalaje o transporte durante el envío del producto por parte del propietario. Tampoco incluye el desgaste normal del producto, ni el mantenimiento o la sustitución de piezas consumibles.

EXCLUSIÓN DE GARANTÍA

- Accesorios y piezas de desgaste (*).
- Mantenimiento normal del aparato.
- Todas las averías derivadas de un uso incorrecto (golpes, incumplimiento de las recomendaciones de alimentación eléctrica, malas condiciones de uso, etc.), de un mantenimiento insuficiente o de un mal uso del aparato, así como del uso de accesorios inadecuados.
- Daños de origen externo: incendio, daños por agua, sobrecarga eléctrica, etc.
- Cualquier equipo que haya sido desmontado, incluso parcialmente, por personas que no estén autorizadas a hacerlo (en particular el usuario).
- Productos cuyo número de serie falte, esté dañado o sea ilegible, lo que no permitiría su identificación.
- Productos sujetos a alquiler, demostración o exposición.

(*) Algunas piezas de su aparato, conocidas como piezas de desgaste o consumibles, se deterioran con el tiempo y la frecuencia de uso de su aparato. Este desgaste es normal, pero puede acentuarse por las malas condiciones de uso o de mantenimiento de su aparato. Por lo tanto, estas piezas no están cubiertas por la garantía.

Los accesorios suministrados con el aparato también están excluidos de la garantía. No se pueden cambiar ni reembolsar. No obstante, algunos accesorios pueden adquirirse directamente en nuestro sitio web: <https://sav.hkoenig.com/>

MEDIO AMBIENTE

ATENCIÓN:



No se deshaga de este producto como lo hace con otros productos del hogar. Existe un sistema selectivo de colecta de este producto puesto en marcha por las comunidades, debe de informarse en su ayuntamiento acerca de los lugares en los que puede depositar este producto. De hecho, los productos eléctricos y electrónicos pueden contener sustancias peligrosas que tienen efectos nefastos para el medio ambiente o para la salud humana y deben ser reciclados. El símbolo aquí presente indica que los equipos eléctricos o electrónicos deben de ser cuidadosamente seleccionados, representa un recipiente de basura con ruedas marcado con una X.

Adeva SAS / H.Koenig Europe - 8 rue Marc Seguin, 77290 Mitry-Mory, France
www.hkoenig.com - <https://sac.hkoenig.com/> - Tél: +33 1 64 67 00 05

ITALIANO

**IMPORTANTE: SI PREGA DI CONSERVARE QUESTO
MANUALE DI ISTRUZIONI PER UTILIZZO FUTURO.**

Noi crediamo che un utilizzo in totale sicurezza debba essere la prima priorità in qualsiasi prodotto di consumo, di modo che voi, nostri stimati clienti, stimato possiate tranquillamente utilizzare con fiducia i nostri prodotti. Qualsiasi apparecchio elettrico che si utilizza deve essere utilizzato in modo ragionevole, con la dovuta cura e facendo particolare attenzione alle seguenti importanti istruzioni d'uso.

**IMPORTANTI NORME DI SICUREZZA PER L'UTILIZZO
DEL VOSTRO FERRO DA STIRO VERTICALE**

- Questo apparecchio può essere usato da persone con ridotte capacità fisiche, sensoriali o mentali o con mancanza di esperienza o conoscenza, a condizione che siano sorvegliate o istruite sull'uso sicuro dell'apparecchio e che comprendano pienamente i potenziali pericoli.
- Non utilizzare l'apparecchio se il cavo o la spina sono danneggiati, se non funziona correttamente, se è stato danneggiato o è caduto. Se il cavo di alimentazione è danneggiato, deve essere sostituito dal costruttore, da un suo agente servizio o da una persona qualificata, per evitare rischi.
- Si deve prestare attenzione quando si utilizza l'apparecchio a causa della emissione di vapore.
- Scollegare sempre il ferro da stiro verticale, prima di collegare o scollegare la spazzola per tessuti, durante il riempimento del serbatoio, la pulizia e la disincrostazione.

- Leggere attentamente tutte le istruzioni prima di utilizzare il ferro da stiro verticale per la prima volta e conservarle per riferimento futuro.
- Qualsiasi manutenzione oltre la pulizia deve essere effettuata ad un centro servizi autorizzato.
- Rimuovere e scartare qualsiasi materiale di confezionamento ed etichette promozionali prima di utilizzare il ferro da stiro verticale per la prima volta.
- Per scongiurare il pericolo di soffocamento per i bambini, rimuovere e la copertura di protezione della spina di questo ferro da stiro verticale.
- Non posizionare il ferro da stiro verticale vicino al bordo di una seduta o un tavolo durante il funzionamento. Assicurarsi che la superficie sia piana, pulita e priva di acqua o altre sostanze.
- Assicurarsi sempre che il ferro da stiro verticale sia montato correttamente prima dell'uso. utilizzare solo gli allegati o gli accessori forniti e specificati in questo

manuale. Seguire le istruzioni fornite in questo manuale.

- Non utilizzare all'aperto o in bagno.
- Non lasciare incustodito il ferro da stiro verticale quando è collegato o in uso.
- Se il ferro da stiro verticale non viene utilizzato per un lungo periodo, scollegarlo dalla presa di corrente.
- Lasciare che ferro da stiro verticale si raffreddi completamente prima di riporlo.
- Posizionare sempre il ferro da stiro verticale sulla sua base durante quando riposto. Non lasciare il ferro da stiro verticale indumento incustodito quando è collegato.
- Non conservare il ferro da stiro verticale con l'acqua nel serbatoio dell'acqua. Svuotare il serbatoio dopo l'uso.
- Non toccare le superfici calde. questo ferro da stiro verticale permette all'utente di produrre un grande flusso di vapore. Alte temperature si generano durante l'uso che potrebbero causare ustioni. Posizionare le mani sul collo del ferro da stiro verticale durante l'utilizzo e avvertire gli

altri (soprattutto i bambini) dei possibili pericoli di ustioni da vapore e acqua calda, soprattutto durante l'utilizzo in verticale.

- Conservare il ferro da stiro verticale fuori dalla portata dei bambini.
- Il ferro da stiro verticale deve essere usato e riposto su una superficie stabile.
- Quando si colloca il ferro da stiro verticale sulla sua base, assicurarsi che la superficie su cui è collocata la base è stabile.
- Il ferro da stiro verticale non deve essere utilizzato se è stato fatto cadere, se ci sono segni visibili di danni o se perde.
- Il ferro da stiro verticale è progettato per uso domestico e da utilizzare con l'acqua del rubinetto. Non mettere profumo, aceto o altre sostanze chimiche nel serbatoio. Questo apparecchio non è progettato per funzionare con queste sostanze chimiche.

- Non toccare la testa del ferro da stiro a vapore durante l'uso. Quando si utilizza il ferro da stiro verticale, assicurarsi che la testa dell'apparecchio sia rivolta verso di voi e in posizione verticale.
- Verificare sempre il funzionamento su una piccola parte nascosta del tessuto da stirare per assicurarsi che le temperature non siano troppo elevate per il tessuto.
- Per evitare di danneggiare il ferro da stiro verticale non utilizzare detergenti alcalini, durante la pulizia; utilizzare un panno morbido e un detergente delicato.
- Il ferro da stiro verticale genera vapore ad alta temperatura. Non toccare la testa dell'apparecchio durante l'uso. Quando si utilizza il ferro da stiro verticale, assicurarsi che la testa del vapore è rivolto verso di voi e in posizione verticale.
- Il ferro da stiro verticale incorpora un fusibile termico per proteggere l'apparecchio da surriscaldamento. Tuttavia il ferro da stiro verticale non deve essere lasciato

incustodito mentre è collegato alla presa di corrente. Particolare attenzione deve essere sempre fatta quando ci sono bambini in casa / in prossimità del ferro da stiro verticale.

- Non riempire il serbatoio dell'acqua oltre la linea dell'indicatore MAX in quanto ciò potrebbe causarne la fuoriuscita.
- Ci potrebbe essere una fuoriuscita dalla testina del vapore se la temperatura ferro da stiro verticale non è abbastanza alta per vaporizzare l'acqua e creare vapore. Quindi, assicurarsi di preriscaldare il ferro da stiro verticale per 2-3 minuti prima dell'uso.
- Non usare mai il ferro da stiro verticale, mentre i vestiti sono sul corpo e non dirigere il vapore verso persone o animali.
- Non permettere che il cavo entri a contatto con superfici calde.
- Mantenere il ferro da stiro verticale pulito. Seguire le

istruzioni per la pulizia fornite in questo manuale.

- Mai puntare il getto di vapore diretto su una persona o un animale, in quanto potrebbe causare ustioni. Questo apparecchio può essere utilizzato da bambini a partire da 8 anni, purché sorvegliati e istruiti all'uso sicuro dell'apparecchio e pienamente a conoscenza dei pericoli che comporta.

OPERAZIONI DI SALVAGUARDIA IMPORTANTI PER TUTTI GLI APPARECCHI ELETTRICI

- Srotolate completamente il cavo di alimentazione prima dell'uso.
- Connettere solo ad una presa da 220- 240V.
- Non lasciare che il cavo di alimentazione penda dal bordo di un banco o di un tavolo, che entri in contatto con superfici calde o si annodi.
- Per la protezione contro le scosse elettriche, non immergere il cavo di alimentazione, la spina o l'apparecchio in acqua o altri liquidi e non consentire che l'umidità entri in contatto con l'apparecchio. A meno che non sia raccomandato nelle istruzioni per la pulizia.
- Si raccomanda di controllare regolarmente l'apparecchio. Per evitare rischi, non utilizzare l'apparecchio se il cavo di alimentazione, la spina o l'apparecchio stesso sono danneggiati in qualche modo.

Consegnare l'intero apparecchio al più vicino centro servizi autorizzato per l'esame e la riparazione.

- Questo apparecchio è solo per uso domestico. Non utilizzare l'apparecchio per scopi diversi da quelli previsti. Non utilizzare in veicoli o barche in movimento. Non utilizzare all'aperto. L'uso improprio può causare lesioni.
- L'installazione di un interruttore differenziale (interruttore di sicurezza) è consigliata per fornire una protezione supplementare. Quando si utilizzano apparecchi elettrici è opportuno che un interruttore di sicurezza con una corrente operativa residua nominale non superiore a 30mA sia installato sul circuito elettrico dell'apparecchio. Consultate il vostro elettricista per una consulenza professionale.
- Spegnere sempre l'apparecchio in posizione 'OFF', scollegare la presa di alimentazione, la spina dalla presa

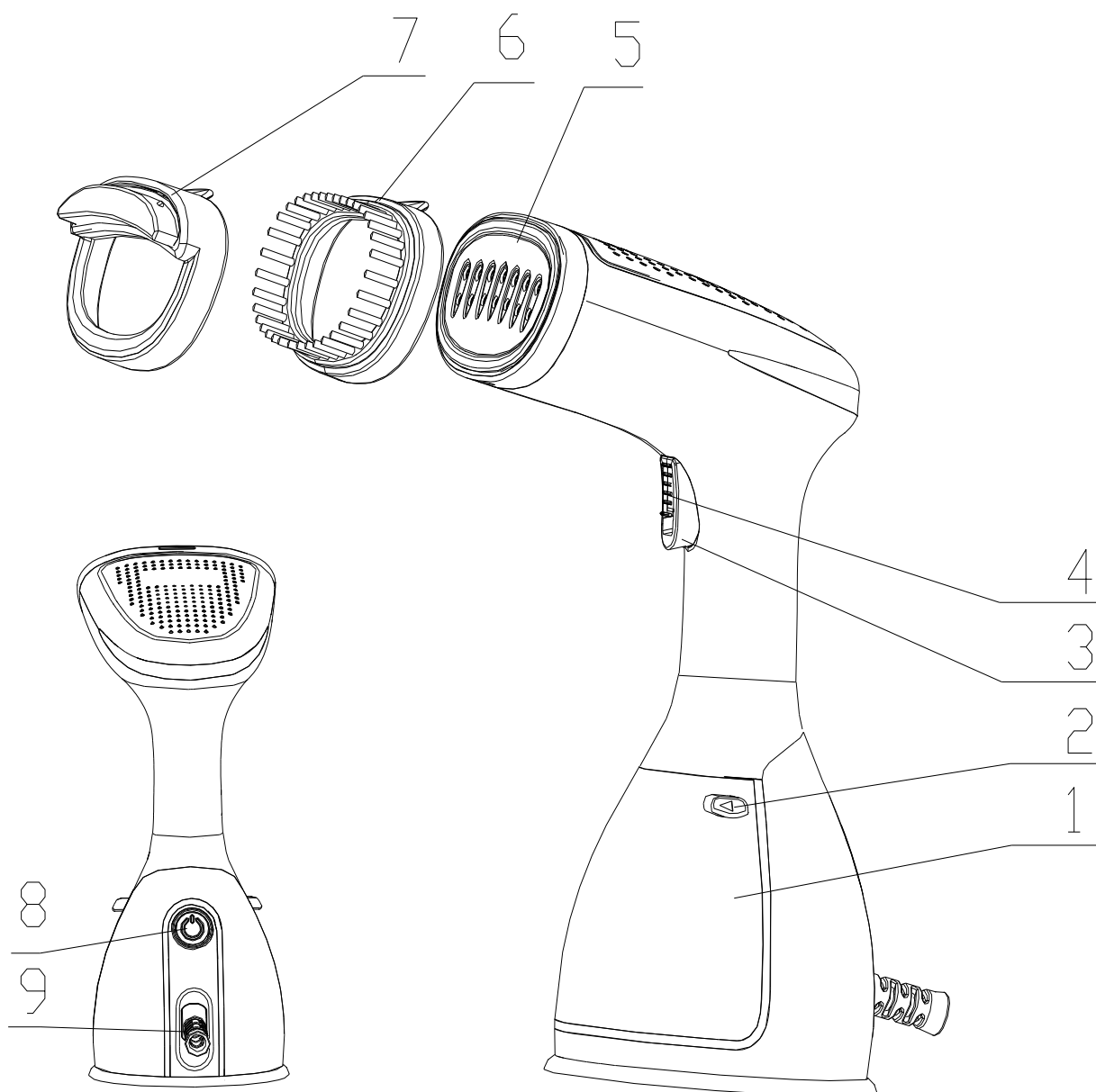
di corrente e rimuovere il cavo di alimentazione, se staccabile, dall'apparecchio e consentire ai componenti di raffreddarsi.

- Non posizionare l'apparecchio sopra o vicino a fonti di calore, come ad esempio una piastra calda, un forno o una stufa.
- Posizionare l'apparecchio ad una distanza minima di 20 cm da pareti, tende e altri materiali sensibili al calore o al vapore e fornire uno spazio adeguato sopra e su tutti i lati per una corretta circolazione dell'aria.
- La pulizia e la manutenzione non devono essere eseguite da bambini a meno che abbiano più di 8 anni e siano sorvegliati da un adulto.
- Conservare l'apparecchio e il cavo di alimentazione fuori dalla portata di bambini di età inferiore a 8 anni.
- Il vostro apparecchio è stato progettato esclusivamente per un uso domestico. Non è destinato all'uso nelle seguenti situazioni che non sono coperte dalla garanzia:

- in cucine per il personale in negozi, uffici e altri ambienti professionali,
 - in ostelli agricoli,
 - da ospiti in hotel, motel e altri ambienti residenziali,
 - in ambienti tipo bed and breakfast.
-
- Questo apparecchio può essere utilizzato da bambini di età pari o superiore a 8 anni, a condizione che siano sorvegliati o istruiti sull'uso sicuro dell'apparecchio e che ne comprendano appieno i pericoli.
 - Quando si utilizzano apparecchi elettrici, è necessario prendere sempre le dovute precauzioni per evitare il rischio di incendi, scosse elettriche e/o lesioni dovute a un uso improprio.
 - Verificare che la tensione indicata sulla targhetta dell'apparecchio corrisponda a quella dell'impianto elettrico. In caso contrario, contattare il rivenditore e non collegare l'apparecchio.

- L'apparecchio non deve essere utilizzato se è caduto, se presenta segni visibili di danneggiamento o se perde.
- Tenere a disposizione questo documento e consegnarlo al futuro proprietario in caso di vendita dell'apparecchio.
- L'apparecchio non è destinato ad essere azionato da timer esterni o da un sistema di controllo a distanza.

IL TUO FERRO DA STIRO VERTICALE



1. serbatoio acqua da 280ml grande (amovibile)
2. Pulsante di rilascio serbatoio acqua
3. Pulsante Vapore
4. Interruttore blocco vapore
5. Testina vapore
6. Spazzola tessuti (rimovibile)
7. Spazzola pelucchi (rimovibile)
8. Pulsante accensione con spia di alimentazione
9. Protezione cavo

UTILIZZO DEL FERRO DA STIRO VERTICALE

Prima del primo utilizzo

Rimuovere eventuali adesivi o il coperchio di protezione dalla testina del vapore.

Srotolare e raddrizzare il cavo prima dell'uso.

Quando si utilizza il ferro da stiro verticale per la prima volta, far espellere vapore a vuoto per qualche minuto. Questo consente di eliminare ogni impurità e odori che potrebbero essere stati lasciati dal processo di fabbricazione.

Quando si utilizza il ferro da stiro verticale per la prima volta, si consiglia di provarlo su un vecchio pezzo di tessuto prima di utilizzarlo sui vostri capi.

Avvertimento: Per evitare un sovraccarico del circuito elettrico, è consigliabile non avere altri apparecchi siano collegati allo stesso circuito quando ferro da stiro verticale è in uso.

Nota: Quando si disimballa il ferro da stiro verticale indumento, verificare che l'imballaggio contenga tutte le voci elencate nella lista delle parti, prima di scartare la confezione.

Assemblaggio / utilizzo del ferro da stiro verticale

1. Premere il pulsante di rilascio del serbatoio acqua, estrarre il serbatoio dell'acqua, aprire il coperchio d'ingresso dell'acqua e riempire acqua del rubinetto fino a raggiungere il livello massimo (vedi fig.1). Assicurarsi che il serbatoio sia sempre pieno per almeno un terzo. Non superare il livello massimo durante il riempimento del serbatoio dell'acqua. Riposizionare il serbatoio dell'acqua.
2. Tenere l'apparecchio con la mano posizionata in modo sicuro sul collo del ferro da stiro verticale. In posizione verticale, usare l'altra mano per fissare la spazzola per tessuti sulla testina del vapore. la spazzola per tessuti può essere fissata in entrambi i modi e si blocca in posizione con un "click".
3. Collegare l'apparecchio ad una presa di corrente e accenderlo. Premere il pulsante di accensione, la spia di alimentazione lampeggia, l'apparecchio comincia a riscaldarsi. Quando le spie smettono di lampeggiare rimanendo accese, il preriscaldamento terminato, è possibile iniziare a utilizzare l'apparecchio. Spegnerlo premendo il pulsante di accensione. Quando l'apparecchio è spento la spia si spegne.
4. Una volta che l'acqua è riempita al livello massimo e l'apparecchio è collegato alla presa di corrente, permettere al ferro da stiro verticale di preriscaldarsi per prima dell'uso.
5. Questo ferro da stiro verticale ha una funzione intelligente di spegnimento automatico. Quando l'utente smette di utilizzare l'apparecchio per un certo tempo, il circuito di controllo interno blocca alimentazione, per evitare incidenti, e risparmiare energia elettrica.

Come stirare i vostri indumenti

Il ferro da stiro verticale è facile da usare ed è perfetto per rimuovere grinze / pieghe da capi di abbigliamento, tendaggi e tessuti e rinfrescarli.

Può essere utilizzato sulla maggior tessuti appesi o dove il ferro da stiro verticale può essere facilmente utilizzato in posizione verticale muovendosi su e giù.

NOTA: il ferro da stiro verticale è progettato per essere utilizzato in posizione verticale su capi appesi. Non utilizzare il vapore su indumenti in posizione orizzontale.

1. Verificare che ci sia ventilazione dietro il tessuto altrimenti potrebbe accumularsi umidità, causando muffa.
2. Verificare che le tasche dell'indumento sono vuote e i risvolti come polsini e orli siano srotolati.
3. Appendere il capo ad un gancio e allungare leggermente il tessuto con una mano controllando che non ci sia nulla dietro il tessuto che possa essere danneggiato dal vapore.

NOTA: si consiglia di non emettere vapore su accessori metallici. Usare cautela intorno gli accessori metallici.

4. Premere e tenere premuto il pulsante vapore. Sentirete vibrare e sentire un ronzio sottile, durante l'emissione di vapore; questo è normale, tenete il ferro da stiro verticale lontano da voi

e in posizione verticale.

5. Premere delicatamente la spazzola tessuti contro il capo, muovendo il braccio su e giù sulle pieghe del tessuto.

6. Rilasciare il pulsante vapore per fermare il vapore.

NOTA: assicurarsi di tenere i tessuti, durante la stiratura a vapore per ottenere i migliori risultati.

ATTENZIONE: il ferro da stiro verticale genera alte temperature di vapore. Non toccare la testina del vapore, assicurarsi che il ferro da stiro a vapore non sia rivolto verso di voi e sia posizione verticale.

7. Se si utilizza il ferro da stiro verticale, senza la spazzola tessuti, mantenere una distanza di almeno cinque centimetri tra la testina del vapore e del capo.

Per stirare le tende

1. Lavare e asciugare tende come indicato, a seconda del tipo di tessuto.

2. Appendere le tende e vaporizzale quando sono appese al loro posto.

3. Tendere leggermente la tenda con una mano mentre si passa il vapore per rimuovere le pieghe più facilmente.

Per vaporizzare la tappezzeria

1. Questo ferro da stiro verticale può essere utilizzato per aiutare a rinfrescare la tappezzeria, le coperture su mobili e cuscini. Prima di effettuare l'operazione, verificare sempre su una piccola area del tessuto non visibile.

2. Mantenendo il ferro da stiro verticale in posizione verticale e con un movimento su e giù. Erogare il vapore sul tessuto dei vostri mobili. I cuscini devono essere sollevati e tenuti in posizione verticale. Consentire ai cuscini di asciugarsi completamente prima di rimetterli a posto

NOTA: si consiglia di utilizzare la spazzola per tessuti sui tessuti delicati come la seta, per evitare danni. Per risultati migliori contro le pieghe ostinate, rimuovere la testina tessuto dalla testina del vapore ed erogare il vapore sulla zona selezionata alla rimozione delle pieghe.

ATTENZIONE: se l'indumento ha accessori in metallo, bisogna utilizzare il vapore con cautela ed evitare che il ferro da stiro verticale vada direttamente sul metallo in quanto ciò potrebbe scolorirlo.

ATTENZIONE: scollegare sempre il ferro da stiro verticale prima di collegare o scollegare la spazzola per tessuti.

Nota: utilizzare solo gli allegati o gli accessori forniti.

NOTA: se l'unità diventa rumorosa o emette un forte ronzio e no viene generato alcun vapore, controllare il livello dell'acqua nel serbatoio dell'acqua. Questo indica che il livello dell'acqua è troppo basso e il serbatoio deve essere riempito.

ATTENZIONE: non utilizzare il ferro da stiro verticale direttamente sul corpo, gli animali, o quando gli indumenti sono indossati.

Dopo ogni utilizzo

- Premere il pulsante di accensione, scollegare la presa dall'alimentazione e scollegare il cavo di alimentazione dalla presa di corrente.

- Aprire l'ingresso al serbatoio dell'acqua e (sopra un lavandino o secchio) capovolgere il serbatoio dell'acqua per svuotare l'acqua residua dal serbatoio.

- Posizionare il ferro da stiro verticale sulla sua base, in posizione verticale, e lasciare raffreddare.

CURA, PULIZIA E CONSERVAZIONE

Cura e pulizia

- Rimuovere la spazzola per tessuti dalla testina del vapore e pulire con un panno umido.
- Non utilizzare detergenti o solventi aggressivi o abrasivi.
- Non mettere il ferro da stiro verticale in acqua o altri liquidi.
- Non lasciar cadere, lanciare o cercare di piegare il ferro da stiro verticale.
- Non tentare di smontare l'apparecchio.
- Il ferro da stiro verticale è progettato per uso domestico e solo per essere utilizzato con acqua di rubinetto. Non mettere profumo, aceto o altre sostanze chimiche nel serbatoio. L'apparecchio non è progettato per funzionare con queste sostanze chimiche.
- Svuotare sempre il serbatoio dell'acqua dopo ogni uso e risciacquare con acqua pulita.
- Pulire le superfici esterne con un panno umido.
- Evitare di utilizzare l'apparecchio in luoghi umidi.
- Non posizionare l'apparecchio vicino a fonti di calore o

sotto luce solare diretta.

- Assicurarsi sempre che il foro di uscita del vapore sia pulito e privo di calcare o sia bloccato.

NOTA: questo ferro da stiro verticale è stato progettato per poter utilizzare normale acqua di rubinetto.

- Una volta che il ferro da stiro verticale è stato scollegato dalla presa di corrente, lasciarlo raffreddare, svuotare l'acqua dal serbatoio e pulirlo, si raccomanda di porre il cavo di sicurezza intorno al l'apparecchio in posizione verticale.

Conservazione

- Si consiglia conservare il ferro da stiro verticale su una superficie piana, come ad esempio in un armadio, fino a quando è il momento di usarlo nuovamente.

GUIDA ALLA RISOLUZIONE DEI PROBLEMI

Problema	Possibile soluzione
Il ferro da stiro non si riscalda	<ul style="list-style-type: none">● Controllare che la spina sia inserita correttamente.● Controllare l'alimentazione.● Controllare il pulsante di accensione.
Il ferro da stiro verticale non produce vapore	<ul style="list-style-type: none">● Controllare il livello dell'acqua e che la copertura ingresso al serbatoio dell'acqua sia adeguatamente coperta.● Premere più forte il pulsante di attivazione del vapore.● Tenere l'apparecchio in posizione verticale.
Fuoriuscita di acqua dal serbatoio di acqua	<ul style="list-style-type: none">● Assicurarci che l'acqua non superi il livello massimo.● Assicurarci che il serbatoio dell'acqua sia chiuso correttamente.● Utilizzare sempre l'apparecchio in posizione verticale come da istruzioni per l'uso.
Il ferro da stiro verticale emette un forte ronzio o un suono di pompaggio	<ul style="list-style-type: none">● Controllare il livello dell'acqua; se non c'è acqua o è poca, riempire il serbatoio dell'acqua.
Il ferro da stiro verticale non sembra eliminare le pieghe	<ul style="list-style-type: none">● Tenere l'apparecchio in posizione verticale e tendere il tessuto verso il basso per ottenere migliori risultati.
Quando utilizzare la spazzola tessuti	<ul style="list-style-type: none">● Utilizzare quando è necessario toccare direttamente il tessuto.● Quando si stirano tessuti delicati, come la seta per ridurre il rischio di gocciolamento d'acqua sul capo.
Evitare alterazione del colore degli accessori metallici sugli indumenti	<ul style="list-style-type: none">● Non posizionare direttamente il ferro da stiro verticale sugli negli accessori metallici dei capi.● Usare il vapore con cautela intorno gli accessori metallici.

GARANZIA

Il periodo di garanzia per i nostri prodotti è di 2 anni, se non diversamente stabilito dalla legge, a partire dalla data di acquisto iniziale o di consegna.

Se avete problemi o domande, potete facilmente accedere alle nostre pagine di aiuto, consigli per la risoluzione dei problemi, FAQ e manuali d'uso sul nostro sito post-vendita: <https://sav.hkoenig.com>.

Digitando il nome di riferimento del tuo dispositivo nella barra di ricerca, puoi accedere a tutto il supporto online disponibile, progettato per soddisfare al meglio le tue esigenze.

Se ancora non riesci a trovare una risposta alla tua domanda o al tuo problema, allora clicca su "La risposta ha risolto il tuo problema? Questo vi porterà al modulo di richiesta di supporto post-vendita, che potete completare per convalidare la vostra richiesta e ottenere aiuto.

CONDIZIONI DI GARANZIA

La garanzia copre tutti i guasti derivanti da un uso normale, in conformità con gli usi e le specifiche del manuale utente.

Questa garanzia non si applica a problemi di imballaggio o di trasporto durante la spedizione del prodotto da parte del proprietario. Non include inoltre la normale usura del prodotto, né la manutenzione o la sostituzione delle parti di consumo.

ESCLUSIONE DELLA GARANZIA

- Accessori e parti soggette a usura (*).
- Normale manutenzione dell'apparecchio.
- Tutti i guasti derivanti da un uso improprio (urti, mancato rispetto delle raccomandazioni sull'alimentazione, cattive condizioni d'uso, ecc.), da una manutenzione inadeguata o da un uso improprio dell'apparecchio, nonché dall'uso di accessori inadeguati.
- Danni di origine esterna: incendio, danni d'acqua, sovratensione elettrica, ecc.
- Qualsiasi attrezzatura che sia stata smontata, anche parzialmente, da persone diverse da quelle autorizzate a farlo (in particolare l'utente).
- Prodotti per i quali il numero di serie è mancante, danneggiato o illeggibile, il che non permetterebbe la sua identificazione.
- Prodotti soggetti a noleggio, dimostrazione o esposizione.

(*) Alcune parti del suo apparecchio, note come parti soggette a usura o materiali di consumo, si deteriorano con il tempo e la frequenza d'uso del suo apparecchio. Questa usura è normale, ma può essere accentuata da cattive condizioni d'uso o di manutenzione del vostro apparecchio. Queste parti non sono quindi coperte dalla garanzia.

Anche gli accessori forniti con l'apparecchio sono esclusi dalla garanzia. Non possono essere scambiati o rimborsati. Tuttavia, alcuni accessori possono essere acquistati direttamente dal nostro sito web: <https://sav.hkoenig.com/>.

AMBIENTE

ATTENZIONE:



Non gettare quest' apparecchio tra i rifiuti domestici. Per questo tipo di prodotti è fornito dai comuni un sistema di raccolta e ritiro in zona ed è quindi un dovere informarsi per conoscere il giusto smistamento del rifiuto. Infatti, i prodotti elettrici ed elettronici possono contenere sostanze pericolose che hanno effetti dannosi sull'ambiente o sulla nostra salute e quindi devono essere riciclati. Il simbolo al lato indica che le apparecchiature elettriche ed elettroniche fanno parte di una raccolta selettiva e differenziata (rappresentata da un bidone su due ruote sbarrato da una croce).

Adeva SAS / H.Koenig Europe - 8 rue Marc Seguin, 77290 Mitry-Mory, France
www.hkoenig.com - <https://assistenza.hkoenig.com> - Tél: +33 1 64 67 00 05



Points de collecte sur www.quefairedemesdechets.fr
Privilégiez la réparation ou le don de votre appareil !