

TESLA



IC400B

User Manual

ENG BIH/CG BG GR HR HU MK RO SLO SRB

INDUCTION COOKER

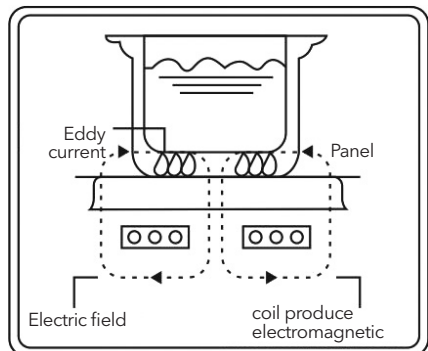
Household Use only.
Read this instruction manual carefully before using.

IMPORTANT SAFETY INSTRUCTION

1. Do not place the unit near fire or gas or any hot environment in order to avoid damages or malfunction.
2. To reduce the risk and damage, the plug should be fit into an individual outlet and the rated electrical current should be not less than 16A.
3. Place the unit on a level and dry surface.Ensure there is a minimum free area of at least 10cm surrounding the unit on all sides.
4. Do not immerse the appliance or electric cord in water or any other liquid.
5. Do not allow any liquid to enter the unit's cabinet. This will damage the inner electrical parts.
6. Ensure the power code is removed from the power socket before cleaning.
7. Do not cover the air vent with anything during cooking.
8. Before Heating any tinned food please uncap its cover.
9. Do not place any metallic accessories like spoon,ladles etc on the cooktop while cooking in order to avoid heating.It is advisable to keep even non-metallic objects at least 10cm away from the unit while it is in use.
10. Do not cook with an empty pot.It may cause malfunction or pose danger.
11. If power cord gets damaged,please ensure you replace it only with a manufacturer recommended cord.
12. If the unit is not working for some reason even after basic trouble-shooting by you,please immediately contact with our service points.Do not attempt to open the unit by yourself as it may be dangerous.
13. Always clean the unit to avoid dirt going into the fan. This will affect its normal functioning.
14. Do not touch the plate while the unit is working,it may cause burns.
15. Users with cardiac pacemakers are advised to consult their doctors before using this product.
16. Do not place the unit on or near a gas stove.
17. Do not place any inflammable item like paper,cloth or other such articles under the unit.It may cause a fire hazard.
18. Do not place the unit on a cloth or carpet etc.This may block the air vent and be of danger to the unit and the user.
19. Avoid hitting the plate of the unit as it may crack or break the unit.In case you spot any cracks on the cooktop surface,turn off the unit and remove the cord from the electric outlet immediately and contact the service centers.
20. Do not touch the control panel with any sharp objects.

INDUCTION TECHNOLOGY

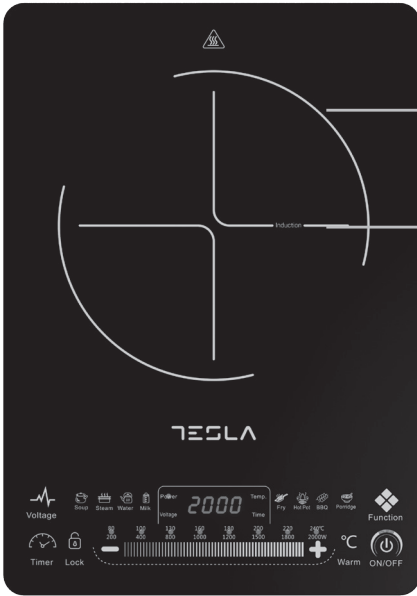
When the power connection is ON,the electric current will produce a magnetic field in the induction coil,which is embedded in the machine.As soon as the magnetic force lines in the magnetic field touch the alloy steel pot/boiler,it will produce a heating effect,which then heats the good in the saucepan or pot.



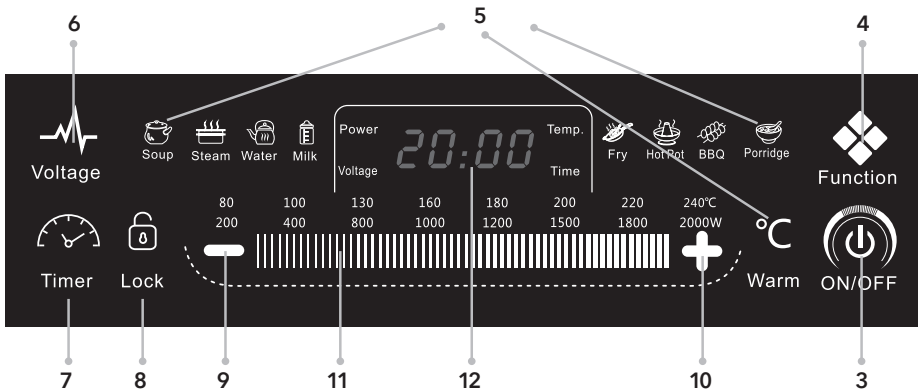
TECHNICAL SPECIFICATIONS

Model	IC400B
Power	2000W
Electrical	220-240V~, 50Hz-60Hz
Temperature Range	80°C-240°C
Unit Size	290x370x41mm
N.W	2.1 kg

PARTS IDENTIFICATION



1. Black Crystal Plate
2. Heating Area
3. On/Off Button
4. Function Button
5. Cooking Codes
6. Voltage/Power Consumption Button
7. Timer/Preset Button
8. Lock Button
9. Decrease Button
10. Increase Button
11. Sliding Button
12. LED Display



PRODUCT OPERATING INSTRUCTIONS

Basic Operation

- Insert the plug into AC 220-240V,50/60Hz Socket,the display will show“----”
- Place induction compatible cooking utensils in the center of the cooktop plate.
- Press ON/OFF button to power the unit on. The display will show “ON”, then press Function Button,The default Hot Pot 2000W will auto select, different cooking code,setting and adjustments.
- To power off the unit,press the ON/OFF button again.
- Remove the plug from the socket if the unit is not going to be used for a long time.

Cooking Modes

Hot Pot

- Press the [Function] button and the hot pot indicator will light up.The display will show the default power of 2000W.
- The power can be adjusted by the [+] and [-] buttons or Sliding Bar through the range of 200W,400W, 800W, 1000W, 1200W, 1500W, 1800W and 2000W.
- Once cooking is finished, press the [ON/OFF] button to turn off the unit.
- The unit will turn off automatically after 2 hours if no other function button is pressed.
- Timer can be set for 4 hours in this mode.

BBQ

- Press the [Function] button and the BBQ indicator will light up.The display will show the default temperature of 220°.
- The temperature can be adjusted by the [+] and [-] buttons or Sliding Bar through the range of 80°C,100°C,130°C, 160°C,180°C, 200°C, 220°C, 240°C.
- Once cooking is finished, press the [ON/OFF] button to turn off the unit.
- The unit will turn off automatically after 2 hours if no other function button is pressed.
- Timer can be set for 4 hours in this mode.

Fry

- Press the [Function] button and the fry indicator will light up.The display will show the default temperature of 240°C.
- The temperature can be adjusted by the [+] and [-] buttons or Sliding Bar through the range of 80°C,100°C,130°C,160°C,180°C,200°C,220°C,240°C.
- Once cooking is finished, press the [ON/OFF] button to turn off the unit.
- The unit will turn off automatically after 2 hours if no other function button is pressed. - Timer can be set for 4 hours in this mode.

Porridge

- Press the [Function] button and the Porridge indicator will light up.The display will show the default power of 1200W. After 15 minutes of heating, the power will turn to 800W automatically.
- The mode can't be adjusted.
- Once cooking is finished, press the [ON/OFF] button

to turn off the unit.

- The unit will turn off automatically after 1 hours if no other function button is pressed.
- Preset time can be set for 24 hours in advance.

Soup

- Press the [Function] button and the Soup indicator will light up. The display will show the default power of 1200W. After 15 minutes of heating, the power will turn to 800W automatically.
- The mode can't be adjusted.
- Once cooking is finished, press the [ON/OFF] button to turn off the unit.
- The unit will turn off automatically after 2 hours if no other function button is pressed.
- Preset time can be set for 24 hours in advance.

Steam

- Press the [Function] button and the steam indicator will light up. The display will show the default power of 1200W. After 15 minutes of heating, the power will turn to 800W automatically.
- The mode can't be adjusted.
- Once cooking is finished, press the [ON/OFF] button to turn off the unit.
- The unit will turn off automatically after 2 hours if no other function button is pressed.
- Preset time can be set for 24 hours in advance.

Water

- Press the [Function] button and the water indicator will light up.The display will show the default power of 2000W.
- The mode can't be adjusted.
- Once cooking is finished, press the [ON/OFF] button to turn off the unit.
- The unit will turn off automatically after 20 Minutes if no other function button is pressed.
- Preset time can be set for 24 hours in advance.

Milk

- Press the [Function] button and the Milk indicator will light up. The display will show the default temperature of 800W .
- The mode can't be adjusted.
- Once cooking is finished, press the [ON/OFF] button to turn off the unit.

- The unit will turn off automatically after 20 minutes if no other function button is pressed. - Preset time can be set for 24 hours in advance.

Warm

- Press the [Warm] button and the Warm indicator will light up. The display will show the default temperature of 80°C.
- The mode can't be adjusted.
- Once cooking is finished, press the [ON/OFF] button to turn off the unit.
- The unit will turn off automatically after 2 hours if no other function button is pressed.
- Preset time can be set for 24 hours in advance.

Timer

- This function is only applicable to [Fry], [Hot Pot] and [BBQ] cooking modes.
- First select the desired cooking mode then press the [Timer/Preset] button. The LED display will flash [0:00].
- Press the [+] or [-] buttons or Sliding Bar to set the timer from [0:01] minute to [4:00] hours.
- Press and hold the [+] or [-] buttons for quick adjustment of time.
- Once the preferred time is set, do not press any buttons. The LED display will flash for times and the timer is now activated and will start to count down.
- Once the set timing is up, the induction cooker will turn off automatically.
- Pressing any cooking modes button or [Timer/Preset] button or [ON/OFF] will exit the timer mode.

Preset

- This function is only applicable to [Porridge], [Steam], [Soup], [Water], [Milk] and [Warm] cooking modes.
- First select the desired cooking mode then press the [Timer/Preset] button. The LED display will flash [0:00].
- Press the [+] or [-] buttons or Sliding Bar to set the preset timing from [0:01] minute to [24:00] hours. Press and hold the [+] or [-] buttons for quick adjustment of time. - Once the preferred time is set, do not press any buttons. The LED display will flash for times and the timer is now activated and will start to count down.
- Once the preset timing is up, the selected cooking mode will be activated and the induction cooker will start to heat up.
- Pressing any cooking modes button or [Timer/Preset] button or [ON/OFF] will exit the preset mode.

Lock

- Press and hold the [LOCK] button for 3 seconds to lock the unit. The indicator for [Lock] will light up.
- All buttons are deactivated during the lock mode.
- To exit the Lock mode, press and hold the [LOCK] button for 3 seconds.

Voltage

- Press the [Voltage] key twice, the display will show the Local Voltage.
- Press the [Voltage] key once, the display will show the Power Consumption. - To Cancel this mode, press other keys or [On/Off] Button.

SELECTION OF COOKWARE

1. Material required: Please use only induction compatible cookware made of steel, cast iron, enameled iron, stainless steel, flat-bottom pans/pots with diameter from 12 to 26cm
2. Pans/Pots/Utensils should have a flat surface. Do not try to use any other kind of utensils or vessels (especially pressure sensor vessels)



3. While buying your cookware, look for an "Induction Compatible" sign or wording to ensure it will work with this cooktop

MAINTENANCE AND DAILY CARE

1. Keep the unit clean at all times. Avoid dirt getting into the fan or other inner parts of the Unit.
2. Before starting to clean the Unit, ensure the Unit is powered off and remove the power plug from socket. Do not clean the Unit until the surface cools down.
3. Remove grease, dirt, stains etc by cleaning the Unit with a clean soft cloth and mild detergent.
4. The fan in the air vent of the Unit is bound to get dirt stuck on it. Please remove it regularly with a soft brush or cotton stick.
5. Do not immerse the Unit or power cord directly into water or any other liquid to clean it. It will damage the Unit. To protect the Unit from any kind of power surge, ensure the plug is fit properly into the socket.

6. Do not pull out the power cord directly during operation.To extend the appliance's life,press the "On/Off" button first,then unplug the power cord from the socket.
7. The fan will run to cool the heating plate even after the Unit is powered off.It is better to remove the plug after the fan stops working.
8. When not using the Unit for a long time,remove the plug from the socket.
9. Some models will have structural design to prevent cockroaches from entering inside the Unit.If needed,you can use mothball or equivalent cockroach repellent to protect the Unit.

TROUBLESHOOTING AND TREATMENT

During operations,If there is any error, please check the following table for common trouble-shooting options before calling for service.Below are common errors and the checks to perform.

ERROR SCENARIO	CHECK POINTS	REMEDY
Error codes occur E0	Without Cookware or Incompatible cookware used	Please check whether the cookware is induction compatible or not
Error codes occur E1	Low-Voltage	Please ensure Voltage>88V, 220V~240V is perfect
Error codes occur E2	High-Voltage	Please ensure Voltage <280V, 220V~240V is perfect
Error codes occur E3	Top plate Sensor Overheat or Short Circuit	Start again after the temperature cool down. If not, please return the cooker to the service center for checking and repairing
Error codes occur E4	Top Plate Sensor Open Circuit or without connect	Please contact service center for checking and repairs
Error codes occur E5	IGBT Sensor Overheat or Short Circuit or Fan without connect	Please contact service center for checking and repairs
Error codes occur E6	IGBT Sensor Open Circuit	Please contact service center for checking and repairs

Correct Disposal of this product:



This marking indicates that this product should not be disposed with other household wastes throughout the EU. To prevent possible harm to the environment or human health from uncontrolled waste disposal, recycle it responsibly to promote the sustainable reuse of material resources. To return your used device, please use the return and collection systems or contact the retailer where the product was purchased, they can take this product for environmental safe recycling.

Samo za domaćinstvo.

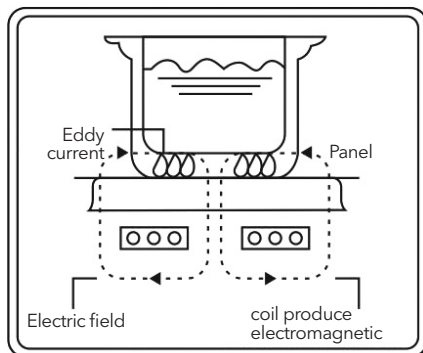
Prije upotrebe pažljivo pročitajte uputstvo za upotrebu.

VAŽNA UPUTSTVA ZA BEZBIJEDNOST

1. Ne postavljajte jedinicu blizu vatre, gasa ili bilo kakvog vrućeg okruženja kako biste izbjegli oštećenja ili kvar.
2. Da bi se smanjio rizik i oštećenje, utikač treba da bude postavljen u pojedinačnu utičnicu i nazivna električna struja ne bi trebala da bude manja od 16A.
3. Postavite jedinicu na ravnu i suhu površinu. Uvjerite se da postoji minimalna slobodna površina od najmanje 10 cm koja okružuje jedinicu sa svih strana.
4. Ne uranjajte uređaj ili električni kabl u vodu ili bilo koju drugu tečnost.
5. Ne dozvolite da tečnost uđe u kućište jedinice. Ovo će oštetiti unutrašnje električne dijelove.
6. Uvjerite se da je kod za napajanje uklonjen iz utičnice prije čišćenja.
7. Ne pokrivajte otvor za zrak ničim tokom kuhanja.
8. Prije zagrijavanja bilo koje konzervirane hrane, otvorite poklopac.
9. Ne stavljajte metalne dodatke kao što su kašike, kutlače itd. na ploču za kuhanje tokom kuhanja kako biste izbjegli zagrijavanje. Preporučljivo je da čak i nemetalne predmete držite najmanje 10 cm od uređaja dok je u upotrebi.
10. Ne kuhajte u praznom loncu. To može prouzrokovati kvar ili predstavljati opasnost.
11. Ako se kabl za napajanje ošteti, molimo vas da ga zamijenite samo kablom koji preporučuje proizvođač.
12. Ako jedinica iz nekog razloga ne radi čak i nakon što ste riješili osnovne probleme, molimo vas da odmah kontaktirate naše servisne tačke. Ne pokušavajte sami da otvorite jedinicu jer može biti opasno.
13. Uvijek čistite jedinicu kako biste izbjegli da prljavština uđe u ventilator. Ovo će uticati na njeno normalno funkcionisanje.
14. Ne dodirujte ploču dok jedinica radi, može izazvati opekotine.
15. Korisnicima sa srčanim pejsmejkerima se savjetuje da se konsultuju sa svojim ljekarom prije upotrebe ovog proizvoda.
16. Ne postavljajte jedinicu na ili blizu plinske peći.
17. Ne stavljajte nikakve zapaljive predmete poput papira, tkanine ili drugih sličnih predmeta ispod jedinice. To može izazvati opasnost od požara.
18. Ne postavljajte jedinicu na tkaninu ili tepih itd. Ovo može blokirati ventilacioni otvor i predstavljati opasnost za jedinicu i korisnika.
19. Izbjegavajte da udarite ploču jedinice jer to može da napukne ili slomi jedinicu. U slučaju da uočite bilo kakve pukotine na površini ploče za kuhanje, isključite jedinicu i odmah izvucite kabl iz električne utičnice i kontaktirajte servisne centre.
20. Ne dodirujte kontrolnu tablu oštrim predmetima.

INDUKCIONA TEHNOLOGIJA

Kada je priključak za napajanje UKLJUČEN, električna struja će proizvesti magnetno polje u indukcionom kalemu, koje je ugrađeno u mašinu. Čim linije magnetne sile u magnetnom polju dodirnu lonac/kotao od legiranog čelika, proizvodit će efekat zagrijavanja, koji zatim zagrijava dobro u loncu ili loncu.



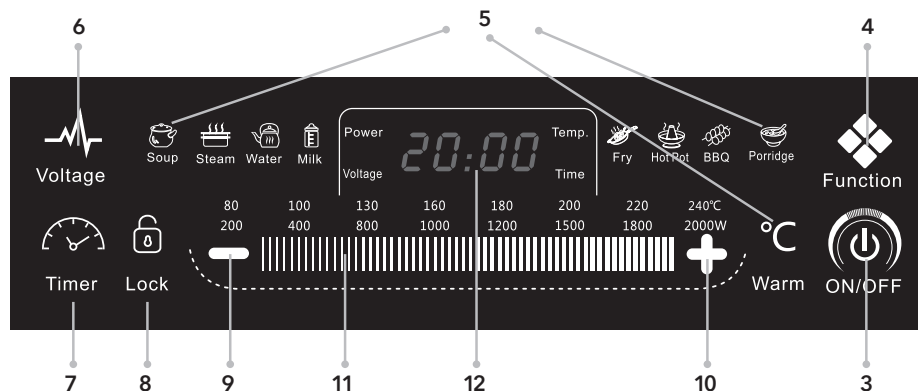
TEHNIČKA SPECIFIKACIJA

Model	IC400B
Snaga	2000W
Napon, Frekvencija	220-240V~, 50Hz-60Hz
Temperatura	80°C-240°C
Dimenzije uređaja	290x370x41mm
Neto težina	2.1 kg

IDENTIFIKACIJA DIJELOVA



1. Crna Kristalna Ploča
2. Grijna površina
3. Dugme za uključivanje/isključivanje
4. Funkcijsko dugme
5. Kodovi za kuhanje
6. Dugme za napon/potrošnja energije
7. Dugme za podešavanje vremena
8. Dugme za zaključavanje
9. Dugme za smanjenje
10. Dugme za povećanje
11. Klizno dugme
12. LED Display



UPUTSTVO ZA UPOTREBU PROIZVODA

Osnovni rad

- Utaknite utikač u AC 220-240V,50/60Hz utičnicu, na displeju će se prikazati "....."
- Postavite pribor za kuhanje kompatibilan sa indukcijom u centar ploče za kuhanje.
- Pritisnite dugme ON/OFF da biste uključili jedinicu. Na displeju će biti prikazano „UKLJUČENO“, a zatim pritisnite funkcijsko dugme, podrazumijevani vrući lonac 2000W će automatski izabrati, različit kod kuhanja, podešavanja i podešavanja.
- Da biste isključili jedinicu, ponovo pritisnite dugme ON/OFF.
- Izvucite utikač iz utičnice ako se jedinica neće koristiti duže vrijeme.

Režimi kuhanja

Hot Pot

- Pritisnite dugme [Function] i indikator vrućeg lonca će se upaliti. Na ekranu će biti prikazana podrazumijevana snaga od 2000W.
- Snaga se može podesiti pomoću dugmadi [+] i [-] ili kliznom trakom kroz opseg od 200W, 400W, 800W, 1000W, 1200W, 1500W, 1800W i 2000W.
- Kada se kuhanje završi, pritisnite dugme [ON/OFF] da biste isključili jedinicu.
- Jedinica će se automatski isključiti nakon 2 sata ako se ne pritisne nijedno drugo funkcijsko dugme.
- Tajmer se može podesiti na 4 sata u ovom režimu.

BBQ

- Pritisnite dugme [Function] i indikator roštilja će se upaliti. Na ekranu će biti prikazana podrazumijevana temperatura od 220°C °.
- Temperatura se može podesiti pomoću dugmadi [+] i [-] ili kliznom trakom kroz opseg od 80°C, 100°C, 130°, 160°C, 180°C, 200°C, 220°C, 240°C.
- Kada se kuhanje završi, pritisnite dugme [ON/OFF] da biste isključili jedinicu.
- Jedinica će se automatski isključiti nakon 2 sata ako se ne pritisne nijedno drugo funkcijsko dugme.
- Tajmer se može podesiti na 4 sata u ovom režimu.

Pržiti

- Pritisnite dugme [Function] i indikator prženja će se upaliti. Displej će prikazati podrazumijevanu temperaturu od 240°C.
- Temperatura se može podesiti pomoću dugmadi [+] i [-] ili kliznom trakom kroz opseg od 80 °C, 100 °C, 130°C, 160 °C, 180 °C, 200 °C, 220 °C, 240 °C.
- Kada se kuhanje završi, pritisnite dugme [ON/OFF] da biste isključili jedinicu.
- Jedinica će se automatski isključiti nakon 2 sata ako se ne pritisne nijedno drugo funkcijsko dugme.
- Tajmer se može podesiti na 4 sata u ovom režimu.

Kaša

- Pritisnite dugme [Function] i indikator kaše će se upaliti. Na ekranu će biti prikazana podrazumijevana snaga od 1200W. Nakon 15 minuta zagrijavanja, snaga će se automatski povećati na 800W.
- Režim se ne može podesiti.
- Kada se kuhanje završi, pritisnite dugme [ON/OFF] da biste isključili jedinicu.

- Jedinica će se automatski isključiti nakon 1 sata ako se ne pritisne nijedno drugo funkcijsko dugme.
- Unaprijed podešeno vrijeme može se podesiti za 24 sata unaprijed.

Supa

- Pritisnite dugme [Function] i indikator supe će se upaliti. Na ekranu će biti prikazana podrazumijevana snaga od 1200W. Nakon 15 minuta zagrijavanja, snaga će se automatski povećati na 800W.
- Režim se ne može podesiti.
- Kada se kuhanje završi, pritisnite dugme [ON/OFF] da biste isključili jedinicu.
- Jedinica će se automatski isključiti nakon 2 sata ako se ne pritisne nijedno drugo funkcijsko dugme.
- Unaprijed podešeno vrijeme može se podesiti za 24 sata unaprijed.

Steam

- Pritisnite dugme [Function] i indikator pare će se upaliti. Na ekranu će biti prikazana podrazumijevana snaga od 1200W. Nakon 15 minuta zagrijavanja, snaga će se automatski povećati na 800W.
- Režim se ne može podesiti.
- Kada se kuhanje završi, pritisnite dugme [ON/OFF] da biste isključili jedinicu.
- Jedinica će se automatski isključiti nakon 2 sata ako se ne pritisne nijedno drugo funkcijsko dugme.
- Unaprijed podešeno vrijeme može se podesiti za 24 sata unaprijed.

Voda

- Pritisnite dugme [Function] i indikator vode će se upaliti. Na ekranu će biti prikazana podrazumijevana snaga od 2000W.
- Režim se ne može podesiti.
- Kada se kuhanje završi, pritisnite dugme [ON/OFF] da biste isključili jedinicu.
- Jedinica će se automatski isključiti nakon 20 minuta ako se ne pritisne nijedno drugo funkcijsko dugme.
- Unaprijed podešeno vrijeme može se podesiti za 24 sata unaprijed.

Mlijeko

- Pritisnite dugme [Function] i indikator mlijeka će se upaliti. Na ekranu će biti prikazana podrazumijevana temperatura od 800W.

- Režim se ne može podesiti.
- Kada se kuhanje završi, pritisnite dugme [ON/OFF] da biste isključili jedinicu.
- Jedinica će se automatski isključiti nakon 20 minuta ako se ne pritisne nijedno drugo funkcijsko dugme. - Unaprijed podešeno vrijeme može se podesiti za 24 sata unaprijed.

Toplo

- Pritisnite dugme [Warm] i indikator zagrijavanja će se upaliti. Na ekranu će biti prikazana podrazumijevana temperatura od 80°C.
- Režim se ne može podesiti.
- Kada se kuhanje završi, pritisnite dugme [ON/OFF] da biste isključili jedinicu.
- Jedinica će se automatski isključiti nakon 2 sata ako se ne pritisne nijedno drugo funkcijsko dugme.
- Unaprijed podešeno vrijeme može se podesiti za 24 sata unaprijed.

Tajmer

Ova funkcija je primjenjiva samo na režime kuhanja [Fry], [Hot Pot] i [BBQ].

- Prvo izaberite željeni režim kuhanja, a zatim pritisnite dugme [Timer/Preset]. LED ekran će treptati [0:00].
- Pritisnite dugme [+] ili [-] ili kliznu traku da podesite tajmer od [0:01] minuta do [4:00] sati.
- Pritisnite i držite dugmad [+] ili [-] za brzo podešavanje vremena.
- Kada je željeno vrijeme podešeno, nemojte pritiskati nijedno dugme. LED ekran će treptati vrijeme i tajmer je sada aktiviran i počeo će da odbrojava.
- Kada istekne podešeno vrijeme, indukcioni šporet će se automatski isključiti.
- Pritiskom na bilo koje dugme za režime kuhanja ili

dugme [Timer/Preset] ili [ON/OFF] izlazite iz režima tajmera.

Preset

Ova funkcija je primjenjiva samo na [kašu], [paru], [supu], [vodu], [mlijeko] i [toplo] režimi kuhanja.

- Prvo izaberite željeni režim kuhanja, a zatim pritisnite dugme [Timer/Preset]. LED displej će treptati [0:00].
- Pritisnite dugmad [+] ili [-] ili kliznu traku da podesite unaprijed podešeno vrijeme od [0:01] minuta do [24:00] sata. Pritisnite i držite dugmad [+] ili [-] za brzo podešavanje vremena.
- Kada je željeno vrijeme podešeno, nemojte pritiskati nijedno dugme. LED ekran će treptati nekoliko puta i tajmer je sada aktiviran i počeo će da odbrojava.
- Kada se unaprijed podešeno vrijeme istekne, izabrani režim kuhanja će se aktivirati i indukcija šporet će početi da se zagrijava.
- Pritiskom na bilo koje dugme za režime kuhanja ili dugme [Timer/Preset] ili [ON/OFF] izlazite iz unaprijed podešenog režima.

Zaključati

- Pritisnite i držite dugme [LOCK] 3 sekunde da zaključate jedinicu. Indikator za [Lock] će zapaliti.
- Sva dugmad su deaktivirana u režimu zaključavanja.
- Da biste izašli iz režima zaključavanja, pritisnite i držite dugme [LOCK] 3 sekunde.

Napon

- Pritisnite taster [Voltage] dvaput, na ekranu će se prikazati lokalni napon.
- Pritisnite taster [Voltage] jednom, na ekranu će se prikazati potrošnja energije.
- Da biste otkazali ovaj režim, pritisnite druge tastere ili dugme [On/Off].

IZBOR POSUĐA

1. Potreban materijal: Koristite samo indukciono kompatibilno posude od čelika, livenog gvožđa, emajliranog gvožđa, nehrđajućeg čelika, tave/lonce sa ravnim dnom prečnika od 12 do 26 cm
2. Tave/lonci/posude treba da imaju ravnu površinu. Ne pokušavajte da koristite bilo koju drugu vrstu pribora ili posuda (naročito posude sa senzorom pritiska)



3. Dok kupujete svoje posude, potražite znak ili natpis „Kompatibilan sa indukcijom“ kako biste bili sigurni da će raditi sa ovom pločom za kuhanje.

ODRŽAVANJE I SVAKODNEVNA NJEGA

1. Održavajte jedinicu uvijek čistom. Izbjegavajte da prljavština uđe u ventilator ili druge unutrašnje dijelove jedinice.
2. Prije nego što počnete da čistite jedinicu, uverite se da je jedinica isključena i izvucite utikač iz utičnice. Nemojte čistiti jedinicu dok se površina ne ohladi.
3. Uklonite masnoću, prljavštinu, mrlje itd. čišćenjem jedinice čistom meknom krpom i blagim deterdžentom.
4. Ventilator u ventilacionom otvoru jedinice će se zaprljati na njemu. Redovno ga uklanjajte meknom četkom ili vatom.

- Nemojte uranjati jedinicu ili kabl za napajanje direktno u vodu ili bilo koju drugu tečnost da biste ih očistili. To će oštetiti jedinicu. Da biste zaštitili jedinicu od bilo kakvog napona, uvjerite se da je utikač pravilno uklopljen u utičnicu.
- Nemojte izvlačiti kabl za napajanje direktno tokom rada. Da biste produžili vijek trajanja uređaja, prvo pritisnite dugme „Uključeno/isključeno“, a zatim izvucite kabl za napajanje iz utičnice.
- Ventilator će raditi da ohladi grijnu ploču čak i nakon što je jedinica isključena. Bolje je ukloniti utikač nakon što ventilator prestane da radi.
- Kada ne koristite jedinicu duže vrijeme, izvucite utikač iz utičnice.
- Neki modeli će imati strukturalni dizajn da spriječi bubašvabe da uđu u jedinicu. Ako je potrebno, možete koristiti naftalin ili ekvivalentno sredstvo protiv bubašvaba da zaštitite jedinicu.

RJEŠAVANJE PROBLEMA

Tokom rada, ako postoji bilo kakva greška, pogledajte sljedeću tabelu za uobičajene opcije za rješavanje problema prije nego što pozovete servis. Ispod su uobičajene greške i provjere koje treba izvršiti.

SCENARIO GREŠKE	KONTROLNE TAČKE	POPRAVITI
Kod grešaka se javlja E0	Bez posuda ili korišteno nekompatibilno posuđe	Provjerite da li je posuđe kompatibilno sa indukcijom ili ne
Kod grešaka se javlja E1	Niži nivo Napona	Uvjerite se da je napon >88V, 220V ~ 240V je savršeno
Kod grešaka se javlja E2	Visok nivo Napona	Uvjerite se da je napon <280V, 220V ~ 240V je savršeno
Kod grešaka se javlja E3	Senzor gornje ploče se pregrijava ili kratak spoj - Strujno kolo	Počinite ponovo nakon što se temperatura ohladi. Ako nije, vratite šporet u servisni centar na provjeru i popravku
Kod grešaka se javlja E4	Otvoreni krug senzora gornje ploče ili bez veze	Molimo kontaktirajte servisni centar radi provjere i popravke
Kod grešaka se javlja E5	Pregrijavanje ili kratak spoj IGBT senzora Kolo ili ventilator bez veze	Molimo kontaktirajte servisni centar radi provjere i popravke
Kod grešaka se javlja E6	Otvoreni krug IGBT senzora	Molimo kontaktirajte servisni centar radi provjere i popravke

Pravilno odlaganje ovog proizvoda



Ova oznaka označava da se ovaj proizvod ne smije odlagati s ostalim kućnim otpadom u cijeloj EU. Da biste spriječili moguću štetu po životnu sredinu ili zdravlje ljudi zbog nekontrolisanog odlaganja otpada, odgovorno ga reciklirajte da biste promovisali održivu ponovnu upotrebu materijalnih resursa. Da biste vratili svoj korišteni uređaj, koristite sisteme za vraćanje i prikupljanje ili se obratite prodavcu kod koga je proizvod kupljen, oni mogu uzeti proizvod za ekološku reciklažu.

Само за домашна употреба.

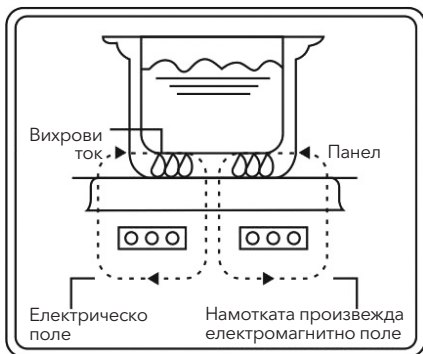
Прочетете внимателно тази инструкция за употреба, преди да използвате уреда.

ВАЖНИ ИНСТРУКЦИИ ЗА БЕЗОПАСНОСТ

1. Не поставяйте уреда близо до източници на огън, газ или в гореща среда, за да избегнете повреда или неизправност.
2. За да се намали рискът и вероятността за повреда, щепселът трябва да бъде поставен в отделен контакт и номиналният електрически ток трябва да бъде не по-малък от 16А.
3. Поставете уреда върху равна и суха повърхност. Уверете се, че има минимално свободно разстояние от най-малко 10 cm около уреда от всички страни.
4. Не потапяйте уреда, захранващия кабел или щепсела във вода или друга течност.
5. Не позволявайте никаква течност да влезе в корпуса на уреда. Това ще повреди вътрешните електрически части.
6. Преди почистване се уверете, че захранващият кабел е изваден от контакта.
7. По време на готвене, по никакъв начин не покривайте вентилационния отвор.
8. Преди да загреете кафката и да е консервирана храна, моля, отворете капака на съда.
9. Не поставяйте никакви метални принадлежности като лъжици, черпаци и други върху готварския плот, докато готвите, за да избегнете нагряване. Препоръчително е да държите дори неметалните предмети на поне 10 cm от уреда, докато се използва.
10. Не гответе с празен съд. Това може да причини неизправност или да представлява опасност.
11. Ако захранващият кабел се повреди, се уверете, че го замените само с кабел, препоръчан от производителя.
12. Ако по някаква причина уредът не работи дори след изпълнението на базовите съвети за отстраняване на неизправности, се свържете незабавно с нашите сервизни центрове. Не се опитвайте да отваряте уреда сами, тъй като това може да е опасно.
13. Винаги почиствайте уреда, за да избегнете навлизането на мръсотия във вентилатора. Това ще повлияе на нормалното му функциониране.
14. Не докосвайте плочата, докато устройството работи, това може да причини изгаряния.
15. Препоръчително е потребителите със сърдечни пейсмейкъри да се консултират с лекарите си, преди да използват този уред.
16. Не поставяйте уреда върху или близо до газова печка.
17. Не поставяйте никакви запалими предмети като хартия, плат или други подобни предмети под уреда. Това може да доведе до опасност от пожар.
18. Не поставяйте уреда върху кърпа или килим и др. Това може да блокира вентилационния отвор и да бъде опасно за уреда и потребителя.
19. Избягвайте да удярате плочата на уреда, тъй като може да се спуска или счупи уреда. В случай, че забележите пукнатини по повърхността на готварския плот, незабавно изключете уреда и извадете кабела от електрическия контакт и се свържете със сервизните ни центрове.
20. Не докосвайте панела за управление с остри предмети.

ИНДУКЦИОННА ТЕХНОЛОГИЯ

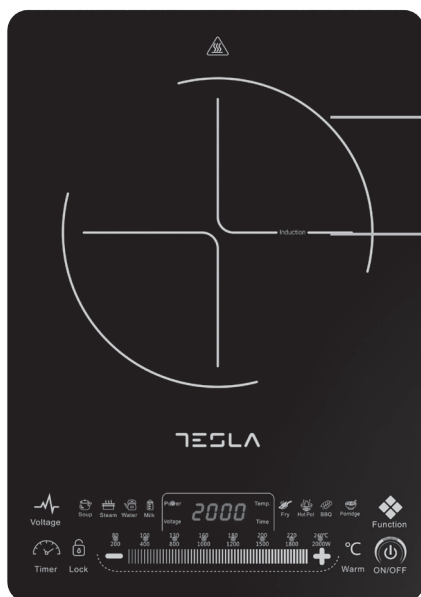
Когато захранващият кабел е включен, електрическият ток ще произведе магнитно поле в индукционната намотка, която е вградена в уреда. Веднага щом магнитните силови линии в магнитното поле докоснат тенджерата/съд от легирана стомана, това ще произведе ефект на нагряване, който след това загрева продукта в тенджерата или съда.



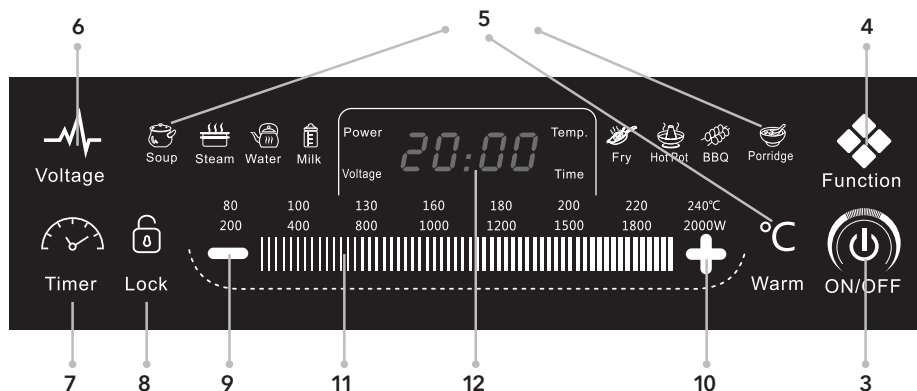
ТЕХНИЧЕСКИ СПЕЦИФИКАЦИИ

Модел	IC400B
Корекционен	2000W
Електричество	220-240V~, 50Hz-60Hz
Температурен диапазон	80°C-240°C
Размери на уреда	290x370x41mm
Нето тегло	2.1 kg

ОБОЗНАЧЕНИЕ НА ЧАСТИТЕ



1. Черна кристална плоча
2. Нагревателна площ
3. Бутон за включване/изключване
4. Функционален бутон
5. Кодове за готвене
6. Бутон за консумирано напрежение/мощност
7. Бутон за таймер/предварително зададени настройки
8. Бутон за заключване
9. Бутон за намаляване на стойността
10. Бутон за увеличаване на стойността
11. Плъзгач се бутон
12. LED дисплей



ИНСТРУКЦИИ ЗА ЕКСПЛОАТАЦИЯ НА УРЕДА

Основни операции

- Включете щепсела в контакт с променлив ток 220-240 V, 50/60 Hz, на дисплея ще се покаже “.....”
- Поставете индукционно-съвместими съдове за готвене в центъра на плочата за готвене.
- Натиснете бутона за включване/изключване, за да включите уреда. На дисплея ще се покаже “ON” (включено), след това натиснете функционалния бутон, по подразбиране автоматично ще се избере Hot Pot 2000 W, различен код за готвене, настройки и корекции.
- За да изключите устройството, натиснете отново бутона за включване/изключване.
- Извадете щепсела от контакта, ако устройството няма да се използва дълго време.

Режими на готвене

Hot Pot (задушено)

- Натиснете функционалния бутон [Function] и индикаторът Hot Pot ще светне. Дисплеят ще покаже мощността по подразбиране от 2000 W.
- Мощността може да се регулира чрез бутоните [+] и [-] или плъзгача в диапазона от 200 W, 400 W, 800 W, 1000 W, 1200 W, 1500 W, 1800 W и 2000 W.
- След като готвенето приключи, натиснете бутона [ON/OFF], за да изключите уреда.
- Устройството автоматично ще се изключи след 2 часа, ако не бъде натиснат друг функционален бутон.
- В този режим таймерът може да бъде настроен за 4 часа.

BBQ (барбекю)

- Натиснете функционалния бутон [Function] и индикаторът BBQ ще светне. Дисплеят ще покаже температурата по подразбиране от 220°C.
- Температурата може да се регулира чрез бутоните [+] и [-] или плъзгача в диапазона от 80°C, 100°C, 130°C, 160°C, 180°C, 200°C, 220°C, 240°C.
- След като готвенето приключи, натиснете бутона [ON/OFF], за да изключите уреда.
- Устройството автоматично ще се изключи след 2 часа, ако не бъде натиснат друг функционален бутон.
- В този режим таймерът може да бъде настроен за 4 часа.

Fry (пържено)

- Натиснете функционалния бутон [Function] и индикаторът Fry ще светне. Дисплеят ще покаже температурата по подразбиране от 240°C.
- Температурата може да се регулира чрез бутоните [+] и [-] или плъзгача в диапазона от 80°C, 100°C, 130°C, 160°C, 180°C, 200°C, 220°C, 240°C.
- След като готвенето приключи, натиснете бутона [ON/OFF], за да изключите уреда.
- Устройството автоматично ще се изключи след 2 часа, ако не бъде натиснат друг функционален бутон. - В този режим таймерът може да бъде настроен за 4 часа.

Porridge (каши)

- Натиснете функционалния бутон [Function]

и индикаторът Porridge ще светне. Дисплеят ще покаже мощността по подразбиране от 1200W. След 15 минути нагряване, мощността автоматично ще се върне на 800 W.

- Режимът не може да бъде регулиран.
- След като готвенето приключи, натиснете бутона [ON/OFF], за да изключите уреда.
- Устройството автоматично ще се изключи след 1 часа, ако не бъде натиснат друг функционален бутон.
- Предварително зададеното време може да се настрои за 24 часа.

Soup (супи)

- Натиснете бутона [Function] и индикаторът Soup (супа) ще светне. Дисплеят ще покаже мощността по подразбиране от 1200 W. След 15 минути нагряване, мощността автоматично ще се върне на 800 W.
- Режимът не може да бъде регулиран.
- След като готвенето приключи, натиснете бутона [ON/OFF], за да изключите уреда.
- Устройството автоматично ще се изключи след 2 часа, ако не бъде натиснат друг функционален бутон.
- Предварително зададеното време може да се настрои за 24 часа.

Steam (пара)

- Натиснете бутона [Function] и индикаторът Steam (пара) ще светне. Дисплеят ще покаже мощността по подразбиране от 1200 W. След 15 минути нагряване, мощността автоматично ще се върне на 800 W.
- Режимът не може да бъде регулиран.
- След като готвенето приключи, натиснете бутона [ON/OFF], за да изключите уреда.
- Устройството автоматично ще се изключи след 2 часа, ако не бъде натиснат друг функционален бутон.
- Предварително зададеното време може да се настрои за 24 часа.

Water (вода)

- Натиснете функционалния бутон [Function] и индикаторът Water ще светне. Дисплеят ще покаже

мощността по подразбиране от 2000 W.

- Режимът не може да бъде регулиран.
- След като готвенето приключи, натиснете бутона [ON/OFF], за да изключите уреда.
- Устройството автоматично ще се изключи след 20 минути, ако не бъде натиснат друг функционален бутон.
- Предварително зададеното време може да се настрои за 24 часа.

Milk (прясно мляко)

- Натиснете бутона [Function] и индикаторът Milk (прясно мляко) ще светне. Дисплеят ще покаже мощността по подразбиране от 800 W.
- Режимът не може да бъде регулиран.
- След като готвенето приключи, натиснете бутона [ON/OFF], за да изключите уреда.
- Устройството автоматично ще се изключи след 20 минути, ако не бъде натиснат друг функционален бутон. - Предварително зададеното време може да се настрои за 24 часа.

Warm (затопляне)

- Натиснете бутона [Warm] и индикаторът Warm ще светне. Дисплеят ще покаже температурата по подразбиране от 80°C.
- Режимът не може да бъде регулиран.
- След като готвенето приключи, натиснете бутона [ON/OFF], за да изключите уреда.
- Устройството автоматично ще се изключи след 2 часа, ако не бъде натиснат друг функционален бутон.
- Предварително зададеното време може да се настрои за 24 часа.

Таймер

Тази функция е приложима само за режимите на готвене [Fry (пържено)], [Hot Pot (задушено)] и [BBQ (барбекю)].

- Първо изберете желания режим на готвене, след което натиснете бутона [Timer/Preset (Бутон за таймер/предварително зададени настройки)]. Светодиодният дисплей ще мига [0:00].
- Натиснете бутоните [+] или [-] или плъзгача, за да настроите таймера от [0:01] минута до [4:00] часа.
- Натиснете и задръжте бутоните [+] или [-] за бързо регулиране на времето.
- След като е зададено предпочитаното време, не натискайте повече никакви бутони. Светодиодният дисплей ще мига известно време и таймерът вече е активиран и ще започне да отброява обратно.

- След изтичане на зададеното време, индукционният уред ще се изключи автоматично.
- Натискането на който и да е бутон за режим на готвене или бутона [Timer/Preset] или бутона [ON/OFF] ще изключи режима на таймер.

Предварително зададени настройки

- Тази функция е приложима само за режимите на готвене [Porridge (каши)], [Пара], [Steam (супа)], [Water (вода)], [Milk (прясно мляко)] и [Warm (затопляне)].
- Първо изберете желания режим на готвене, след което натиснете бутона [Timer/Preset (Бутон за таймер/предварително зададени настройки)]. Светодиодният дисплей ще мига [0:00].
- Натиснете бутоните [+] или [-] или плъзгача, за да настроите таймера от [0:01] минута до [24:00] часа. Натиснете и задръжте бутоните [+] или [-] за бързо регулиране на времето. - След като е зададено предпочитаното време, не натискайте повече никакви бутони. Светодиодният дисплей ще мига известно време и таймерът вече е активиран и ще започне да отброява обратно.
- След като предварително зададеното време изтече, избраният режим на готвене ще се активира и индукционната печка ще започне да се нагрява.
- Натискането на който и да е бутон за режим на готвене или бутона [Timer/Preset] или бутона [ON/OFF] ще изключи предварително зададения режим.

Заклучване

- Натиснете и задръжте бутона за избор на режим, за да заключите уреда. Индикаторът [Lock (заклучено)] ще светне.
- По време на режим на заключване, всички бутони са деактивирани.
- За да излезете от режима на заключване, натиснете и задръжте бутона [LOCK] за 3 секунди.

Напрежение

- Натиснете два пъти бутона [Voltage (напрежение)], на дисплея ще се покаже напрежението в местната мрежа.
- Натиснете един път бутона [Voltage (напрежение)], на дисплея ще се покаже консумираната мощност.
- За да отмените този режим, натиснете някой друг бутон или бутон [On/Off].

ИЗБОР НА СЪДОВЕ ЗА ГОТВЕНЕ

1. Необходим материал: Използвайте само индукционно-съвместими съдове за готвене, изработени от стомана, чугун, емайлирано желязо, неръждаема стомана, тигани/тенджери с плоско дъно с диаметър от 12 до 26 cm
2. Тиганите/тенджерите/съдовете за готвене трябва да имат равна повърхност. Не се опитвайте да използвате друг вид прибори или съдове (особено съдове със сензор за налягане)



3. Когато купувате съдовете си за готвене, потърсете знак или надпис "Induction Compatible"(индукционно-съвместими), за да сте сигурни, че ще можете да ги използвате с този плот.

ПОДДРЪЖКА И ЕЖЕДНЕВНО ОБСЛУЖВАНЕ

1. Винаги поддържайте уреда чист. Избягвайте попадането на мръсотия във вентилатора или други вътрешни части на устройството.
2. Преди да започнете да почиствате уреда се уверете, че устройството е изключено от панела за управление и извадете щепсела от контакта. Не почиствайте уреда, докато повърхността не се охлади.
3. Отстранявайте мазнини, мръсотия, петна и т.н., като почистите уреда с чиста мека кърпа и почистващ препарат с неагресивно действие.
4. Няма как да избегнете попадането на замърсявания във вентилаторът и вентилационния отвор на модула. Отстранявайте ги редовно с мека четка или памучен тампон.
5. Не потапяйте уреда или хранящия кабел директно във вода или друга течност, за да го почистите. Това ще повреди уреда. За да предпазите уреда от всякакъв вид токов удар, уверете се, че щепселът е поставен правилно в контакта.
6. По време на работа не изваждайте директно хранящия кабел от контакта. За да удължите живота на уреда, първо натиснете бутона "On/Off", след това извадете хранящия кабел от контакта.
7. Вентилаторът ще работи, за да охлажда нагревателната плоча дори след като уредът е изключен от панела за управление. По-добре е да извадите щепсела, след като вентилаторът спре да работи.
8. Когато не използвате устройството за дълго време, извадете щепсела от контакта.
9. Някои модели имат структурно решение, което предотвратява навлизането на хлебарки вътре в уреда. Ако е необходимо, можете да използвате нафталинови топчета или еквивалентен репелент за хлебарки, за да защитите уреда.

ОТСТРАНЯВАНЕ И ТРЕТИРАНЕ НА НЕИЗПРАВНОСТИ

В случай, че по време на работа възникне някаква грешка, проверете следната таблица за възможностите за отстраняване на често срещани неизправности, преди да се обадите в сервиза. По-долу са изброени често срещаните грешки и проверките, които да извършите

СЦЕНАРИЙ НА ГРЕШКИТЕ	ТОЧКИ ЗА ПРОВЕРКА	НАЧИН ЗА ОТСТРАНЯВАНЕ
Възникват кодове за грешка E0	Няма поставени съдове за готвене или се използват несъвместими съдове за готвене	проверете дали съдовете за готвене са индукционно-съвместими или не
Възникват кодове за грешка E1	ниско напрежение	Уверете се, че напрежението е > 88 V, 220 V~240 V е идеално
Възникват кодове за грешка E2	високо напрежение	Уверете се, че напрежението е < 280V, 220 V~240 V е идеално
Възникват кодове за грешка E3	Прегряване или късо съединение на горната Верига	Стартирайте уреда отново, след като температурата спадне. В противен случай върнете готварската печка в сервизния център за проверка и ремонт
Възникват кодове за грешка E4	Сензорът на горната плоча отчита късо съединение или липса на контакт	Свържете се със сервизен център за проверка и ремонт
Възникват кодове за грешка E5	Прегряване или късо съединение на IGBT транзистора или няма връзка с вентилатора	Свържете се със сервизен център за проверка и ремонт
Възникват кодове за грешка E6	Късо съединение на IGBT транзистора	Свържете се със сервизен център за проверка и ремонт

Правилно изхвърляне на този продукт:



Тази маркировка сочи, че продуктът не трябва да се изхвърля с други домашни отпадъци, което важи за целия ЕС. За предотвратяване на вреда за околната среда или човешкото здраве поради неконтролирано изхвърляне на отпадъци, рециклирайте уреда отговорно, за да помогнете за устойчивата повторна употреба на материалните ресурси. За да върнете употребяваното си устройство, моля използвайте системите за връщане и събиране, или се свържете с търговеца, от когото сте закупили уреда, той може се погрижи за екологичното рециклиране на продукта.

Μόνο οικιακή χρήση.

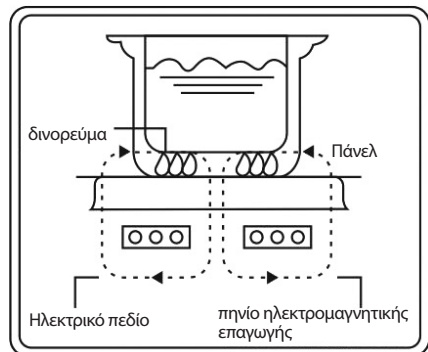
Διαβάστε προσεκτικά αυτό το εγχειρίδιο οδηγιών πριν τη χρήση.

ΣΗΜΑΝΤΙΚΗ ΟΔΗΓΙΑ ΑΣΦΑΛΕΙΑΣ

- Μην τοποθετείτε τη συσκευή κοντά σε γυμνή φλόγα ή αέριο ή σε οποιοδήποτε ζεστό περιβάλλον προκειμένου να αποφύγετε την πρόκληση ζημιάς ή βλάβης.
- Για να μειώσετε τον κίνδυνο πρόκλησης ζημιάς, το φιν θα πρέπει να συνδεθεί σε ανεξάρτητη πρίζα και η ονομαστική ένταση ρεύματος δεν πρέπει να είναι μικρότερη από 16Α.
- Τοποθετήστε τη συσκευή σε επίπεδη και στεγνή επιφάνεια. Βεβαιωθείτε ότι υπάρχει ελεύθερος χώρος σε απόσταση τουλάχιστον 10cm περιμετρικά της συσκευής.
- Μη βυθίζετε τη συσκευή ή το καλώδιο τροφοδοσίας σε νερό ή οποιοδήποτε άλλο υγρό.
- Μην επιτρέπετε την εισχώρηση νερού στο περιβλήμα της συσκευής. Θα προκληθεί βλάβη στα εσωτερικά ηλεκτρικά μέρη.
- Βεβαιωθείτε ότι έχετε αποσυνδέσει το καλώδιο τροφοδοσίας από την πρίζα πριν από τον καθαρισμό της συσκευής.
- Μην καλύπτετε την οπή εξαερισμού με κάποιο αντικείμενο κατά τη διάρκεια του μαγειρέματος.
- Πριν από το ζέσταμα οποιοδήποτε κονσερβοποιημένου τροφίμου, αφαιρέστε το καπάκι της κονσέρβας.
- Μην τοποθετείτε μεταλλικά αντικείμενα όπως κουτάλια, κουτάλες κ.λπ. πάνω στην εστία κατά τη διάρκεια του μαγειρέματος καθώς θα υπερθερμανθούν. Συνιστάται να τοποθετείτε ακόμα και τα μη μεταλλικά αντικείμενα τουλάχιστον 10cm μακριά από τη συσκευή όταν αυτή χρησιμοποιείται.
- Μη μαγειρεύετε με άδεια κατσαρόλα. Μπορεί να προκληθεί βλάβη ή να δημιουργηθεί μια επικίνδυνη κατάσταση.
- Εάν το καλώδιο τροφοδοσίας υποστεί ζημιά, φροντίστε να το αντικαταστήσετε μόνο με ένα καλώδιο που συνιστά ο κατασκευαστής.
- Εάν η συσκευή δεν λειτουργεί για κάποιο λόγο ακόμα και αφού εκτελέσετε τις βασικές ενέργειες αντιμετώπισης προβλημάτων, επικοινωνήστε αμέσως με τα κέντρα σέρβις της εταιρείας μας. Μην επιχειρήσετε να ανοίξετε τη συσκευή μόνι σας καθώς αυτό ενέχει κινδύνους.
- Φροντίστε η συσκευή να είναι πάντα καθαρή για να αποφευχθεί η εισχώρηση ακαθαρσιών στον ανεμιστήρα. Σε περίπτωση εισχώρησης, θα επηρεαστεί η φυσιολογική λειτουργία του ανεμιστήρα.
- Μην αγγίζετε την πλάκα ενώ η μονάδα λειτουργεί, καθώς μπορεί να πάθετε έγκαυμα.
- Οι χρήστες με καρδιακούς βηματοδότες συνιστάται να συμβουλευούνται τον γιατρό τους προτού χρησιμοποιήσουν αυτό το προϊόν.
- Μην τοποθετείτε τη συσκευή πάνω ή κοντά σε εστία αερίου.
- Μην τοποθετείτε εύφλεκτα αντικείμενα όπως χαρτί, ύφασμα ή άλλα τέτοιου είδους αντικείμενα κάτω από τη μονάδα. Υπάρχει ο κίνδυνος εκδήλωσης πυρκαγιάς.
- Μην τοποθετείτε τη συσκευή πάνω σε κομμάτι ύφασμα ή χαλί κ.λπ. Μπορεί να παρεμποδίσουν την απρόσκοπτη ροή αέρα από την οπή εξαερισμού με αποτέλεσμα να υπάρξει κίνδυνος τόσο για τη συσκευή όσο και για τον χρήστη.
- Αποφύγετε την τοποθέτηση των σκευών με υπερβολική δύναμη ή την πρόσκρουση αντικειμένων πάνω στην πλάκα της συσκευής καθώς μπορεί να δημιουργηθούν ρωγμές ή η συσκευή να σπάσει. Σε περίπτωση που εντοπίσετε ρωγμές στην επιφάνεια της εστίας, απενεργοποιήστε τη μονάδα και αφαιρέστε το καλώδιο από την πρίζα ρεύματος αμέσως. Στη συνέχεια, επικοινωνήστε με το κέντρο σέρβις.
- Μην αγγίζετε τον πίνακα ελέγχου με αιχμηρά αντικείμενα.

ΤΕΧΝΟΛΟΓΙΑ ΕΠΑΓΩΓΗΣ

Όταν η συσκευή ενεργοποιείται, το ηλεκτρικό ρεύμα δημιουργεί ένα μαγνητικό πεδίο στο πηγίο επαγωγής που είναι ενσωματωμένο στο μηχάνημα. Μόλις οι μαγνητικές γραμμές του πεδίου έρθουν σε επαφή με την κατσαρόλα/τον βραστήρα από κράμα αλουμινίου, παράγεται ένα εφέ θέρμανσης, το οποίο στη συνέχεια θερμαίνει τα περιεχόμενα στο γιγάνι ή την κατσαρόλα.



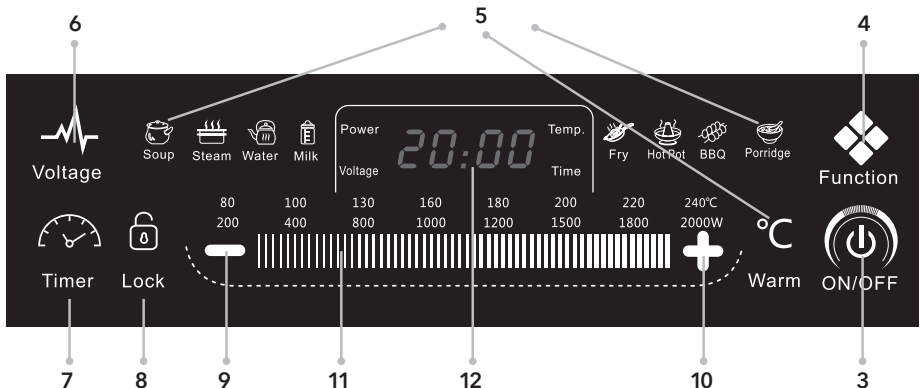
ΤΕΧΝΙΚΑ ΧΑΡΑΚΤΗΡΙΣΤΙΚΑ

Μοντέλο	IC400B
Ενεργοποίηση	2000W
Ηλεκτρολογικά	220-240V~, 50Hz-60Hz
Εύρος θερμοκρασίας	80°C-240°C
Διαστάσεις συσκευής	290x370x41mm
Καθαρό βάρος	2.1 kg

ΠΕΡΙΓΡΑΦΗ ΜΕΡΩΝ



1. Μαύρη κρυστάλλινη πλάκα
2. Περιοχή θέρμανσης
3. Κουμπί ενεργοποίησης/ απενεργοποίησης
4. Κουμπί επιλογής λειτουργίας
5. Κωδικοί μαγειρικής
6. Τάση/Κουμπί κατανάλωσης ρεύματος
7. Κουμπί χρονοδιακόπτη/ προκαθορισμένης διάρκειας
8. Κουμπί κλειδώματος
9. Κουμπί μείωσης
10. Κουμπί αύξησης
11. Μπάρα ολίσθησης
12. Οθόνη LED



ΟΔΗΓΙΕΣ ΛΕΙΤΟΥΡΓΙΑΣ ΠΡΟΪΟΝΤΟΣ

Βασική λειτουργία

- Συνδέστε το φικ σε μια πρίζα ρεύματος AC 220-240V, 50/60Hz Socket. Στην οθόνη εμφανίζεται η ένδειξη «_ _ _ _»
- Τοποθετήστε μαγειρικά σκεύη συμβατά με επαγωγή στο κέντρο της πλάκας της εστίας.
- Πατήστε το κουμπί ON/OFF (Ενεργοποίηση/Απενεργοποίηση) για να ενεργοποιήσετε τη συσκευή. Στην οθόνη θα εμφανιστεί η ένδειξη «ON» (Ενεργοποίηση). Στη συνέχεια, πατήστε το κουμπί λειτουργίας. Η προεπιλεγμένη λειτουργία Hot Pot 2000W (Καυτό σκεύος 2000W) θα επιλεγεί αυτόματα. Μπορεί να ρυθμιστεί διαφορετικός κωδικός μαγειρέματος και να γίνουν διαφορετικές ρυθμίσεις και προσαρμογές.
- Για να απενεργοποιήσετε τη συσκευή, πατήστε ξανά το κουμπί ON/OFF (Ενεργοποίηση/Απενεργοποίηση).
- Αφαιρέστε το φικ από την πρίζα εάν η συσκευή δεν πρόκειται να χρησιμοποιηθεί για μεγάλο χρονικό διάστημα.

Λειτουργίες μαγειρέματος

Hot Pot (Καυτό σκεύος)

- Πατήστε το κουμπί [Function] (Λειτουργία) και η φωτεινή ένδειξη Hot Pot (Καυτό σκεύος) θα ανάψει. Στην οθόνη εμφανίζεται η προεπιλεγμένη ισχύς των 2000W.
- Η ισχύς μπορεί να ρυθμιστεί με τα κουμπιά [+] και [-] ή την μπάρα ολίσθησης στο εύρος των 200W, 400W, 800W, 1000W, 1200W, 1500W, 1800W και 2000W.
- Μόλις το μαγείρεμα ολοκληρωθεί, πατήστε το κουμπί [ON/OFF] (Ενεργοποίηση/Απενεργοποίηση) για να απενεργοποιήσετε τη συσκευή.
- Η συσκευή θα απενεργοποιηθεί αυτόματα μετά από 2 ώρες, εάν δεν πατηθεί κάποιο άλλο κουμπί λειτουργίας.
- Ο χρονοδιακόπτης μπορεί να ρυθμιστεί για 4 ώρες σε αυτήν τη λειτουργία.

BBQ

- Πατήστε το κουμπί [Function] (Λειτουργία) και η φωτεινή ένδειξη BBQ (Μπάρμπεκιου) θα ανάψει. Στην οθόνη εμφανίζεται η προεπιλεγμένη θερμοκρασία των 220 °C.
- Η θερμοκρασία μπορεί να ρυθμιστεί με τα κουμπιά [+] και [-] ή την μπάρα ολίσθησης στο εύρος των 80 °C, 100 °C, 130 °C, 160 °C, 180 °C, 200 °C, 220 °C, 240 °C.
- Μόλις το μαγείρεμα ολοκληρωθεί, πατήστε το κουμπί [ON/OFF] (Ενεργοποίηση/Απενεργοποίηση) για να απενεργοποιήσετε τη συσκευή.
- Η συσκευή θα απενεργοποιηθεί αυτόματα μετά από 2 ώρες, εάν δεν πατηθεί κάποιο άλλο κουμπί λειτουργίας.
- Ο χρονοδιακόπτης μπορεί να ρυθμιστεί για 4 ώρες σε αυτήν τη λειτουργία.

Fry (Τηγάνισμα)

- Πατήστε το κουμπί [Function] (Λειτουργία) και η φωτεινή ένδειξη Fry (Τηγάνισμα) θα ανάψει. Στην οθόνη εμφανίζεται η προεπιλεγμένη θερμοκρασία των 240 °C.
- Η θερμοκρασία μπορεί να ρυθμιστεί με τα κουμπιά [+] και [-] ή την μπάρα ολίσθησης στο εύρος των 80 °C, 100 °C, 130 °C, 160 °C, 180 °C, 200 °C, 220 °C, 240 °C.
- Μόλις το μαγείρεμα ολοκληρωθεί, πατήστε το κουμπί [ON/OFF] (Ενεργοποίηση/Απενεργοποίηση) για να απενεργοποιήσετε τη συσκευή.
- Η συσκευή θα απενεργοποιηθεί αυτόματα μετά από 2 ώρες, εάν δεν πατηθεί κάποιο άλλο κουμπί λειτουργίας.
- Η προκαθορισμένη διάρκεια μαγειρέματος μπορεί να ρυθμιστεί έως 4 ώρες πριν από την έναρξη της διαδικασίας.

Porridge (Πόριτζ)

- Πατήστε το κουμπί [Function] (Λειτουργία) και η φωτεινή ένδειξη Porridge (Πόριτζ) θα ανάψει. Στην οθόνη εμφανίζεται η προεπιλεγμένη ισχύς των 1200W. Μετά από 15 λεπτά θέρμανσης, η ισχύς θα μειωθεί αυτόματα στα 800W.
- Αυτή η λειτουργία δεν επιδέχεται ρύθμιση.
- Μόλις το μαγείρεμα ολοκληρωθεί, πατήστε το κουμπί [ON/OFF] (Ενεργοποίηση/Απενεργοποίηση) για να απενεργοποιήσετε τη συσκευή.
- Η συσκευή θα απενεργοποιηθεί αυτόματα μετά από 1 ώρα, εάν δεν πατηθεί κάποιο άλλο κουμπί λειτουργίας.
- Η προκαθορισμένη διάρκεια μπορεί να ρυθμιστεί έως 24 ώρες πριν από την έναρξη της διαδικασίας μαγειρέματος.

Soup (Σούπα)

- Πατήστε το κουμπί [Function] (Λειτουργία) και η φωτεινή ένδειξη Soup (Σούπα) θα ανάψει. Στην οθόνη εμφανίζεται η προεπιλεγμένη ισχύς των 1200W. Μετά από 15 λεπτά θέρμανσης, η ισχύς θα μειωθεί αυτόματα στα 800W.
- Αυτή η λειτουργία δεν επιδέχεται ρύθμιση.
- Μόλις το μαγείρεμα ολοκληρωθεί, πατήστε το κουμπί [ON/OFF] (Ενεργοποίηση/Απενεργοποίηση) για να απενεργοποιήσετε τη συσκευή.
- Η συσκευή θα απενεργοποιηθεί αυτόματα μετά από 2 ώρες, εάν δεν πατηθεί κάποιο άλλο κουμπί λειτουργίας.
- Η προκαθορισμένη διάρκεια μπορεί να ρυθμιστεί έως 24 ώρες πριν από την έναρξη της διαδικασίας μαγειρέματος.

Steam (Ατμός)

- Πατήστε το κουμπί [Function] (Λειτουργία) και η φωτεινή ένδειξη Steam (Ατμός) θα ανάψει. Στην οθόνη εμφανίζεται η προεπιλεγμένη ισχύς των 1200W. Μετά από 15 λεπτά θέρμανσης, η ισχύς θα μειωθεί αυτόματα στα 800W.
- Αυτή η λειτουργία δεν επιδέχεται ρύθμιση.
- Μόλις το μαγείρεμα ολοκληρωθεί, πατήστε το κουμπί [ON/OFF] (Ενεργοποίηση/Απενεργοποίηση) για να απενεργοποιήσετε τη συσκευή.
- Η συσκευή θα απενεργοποιηθεί αυτόματα μετά από 2 ώρες, εάν δεν πατηθεί κάποιο άλλο κουμπί λειτουργίας.
- Η προκαθορισμένη διάρκεια μπορεί να ρυθμιστεί έως 24 ώρες πριν από την έναρξη της διαδικασίας μαγειρέματος.

Water (Νερό)

- Πατήστε το κουμπί [Function] (Λειτουργία) και η φωτεινή

ένδειξη Water (Νερό) θα ανάψει. Στην οθόνη εμφανίζεται η προεπιλεγμένη ισχύς των 2000W.

- Αυτή η λειτουργία δεν επιδέχεται ρύθμιση.
- Μόλις το μαγείρεμα ολοκληρωθεί, πατήστε το κουμπί [ON/OFF] (Ενεργοποίηση/Απενεργοποίηση) για να απενεργοποιήσετε τη συσκευή.
- Η συσκευή θα απενεργοποιηθεί αυτόματα μετά από 20 λεπτά, εάν δεν πατηθεί κάποιο άλλο κουμπί λειτουργίας.
- Η προκαθορισμένη διάρκεια μπορεί να ρυθμιστεί έως 24 ώρες πριν από την έναρξη της διαδικασίας μαγειρέματος.

Milk (Γάλα)

- Πατήστε το κουμπί [Function] (Λειτουργία) και η φωτεινή ένδειξη Milk (Γάλα) θα ανάψει. Στην οθόνη εμφανίζεται η προεπιλεγμένη ισχύς των 800W.
- Αυτή η λειτουργία δεν επιδέχεται ρύθμιση.
- Μόλις το μαγείρεμα ολοκληρωθεί, πατήστε το κουμπί [ON/OFF] (Ενεργοποίηση/Απενεργοποίηση) για να απενεργοποιήσετε τη συσκευή.
- Η συσκευή θα απενεργοποιηθεί αυτόματα μετά από 20 λεπτά, εάν δεν πατηθεί κάποιο άλλο κουμπί λειτουργίας. Η προκαθορισμένη διάρκεια μπορεί να ρυθμιστεί έως 24 ώρες πριν από την έναρξη της διαδικασίας μαγειρέματος.

Warm (Ζέσταμα)

- Πατήστε το κουμπί [Warm] (Ζέσταμα) και η φωτεινή ένδειξη Warm (Ζέσταμα) θα ανάψει. Στην οθόνη θα εμφανιστεί η προεπιλεγμένη θερμοκρασία των 80 °C.
- Αυτή η λειτουργία δεν επιδέχεται ρύθμιση.
- Μόλις το μαγείρεμα ολοκληρωθεί, πατήστε το κουμπί [ON/OFF] (Ενεργοποίηση/Απενεργοποίηση) για να απενεργοποιήσετε τη συσκευή.
- Η συσκευή θα απενεργοποιηθεί αυτόματα μετά από 2 ώρες, εάν δεν πατηθεί κάποιο άλλο κουμπί λειτουργίας.
- Η προκαθορισμένη διάρκεια μπορεί να ρυθμιστεί έως 24 ώρες πριν από την έναρξη της διαδικασίας μαγειρέματος.

Χρονοδιακόπτης

Η δυνατότητα αυτή υποστηρίζεται μόνο για τις λειτουργίες μαγειρέματος [Fry] (Τηγάνισμα), [Hot Pot] (Καυτό σκεύος) και [BBQ] (Μπάρμπεκιου).

- Πρώτα επιλέξτε την επιθυμητή λειτουργία μαγειρέματος και στη συνέχεια πατήστε το κουμπί [Timer/Preset] (Χρονοδιακόπτης/Προκαθορισμένη διάρκεια). Στην οθόνη LED αναβοσβήνει η ένδειξη [0:00].
- Πατήστε τα κουμπιά [+] ή [-] ή την μπάρα ολίσθησης για να ρυθμίσετε τον χρονοδιακόπτη από [0:01] λεπτό έως [4:00] ώρες.
- Πατήστε παρατεταμένα τα κουμπιά [+] ή [-] για γρήγορη ρύθμιση της διάρκειας.
- Μόλις ρυθμίσετε την επιθυμητή διάρκεια μαγειρέματος, μην

πατήσετε κανένα κουμπί. Η οθόνη LED θα αναβοσβήσει κάποιες φορές και ο χρονοδιακόπτης είναι τώρα ενεργοποιημένος και θα αρχίσει να μετράει αντίστροφα.

- Μόλις η καθορισμένη διάρκεια μαγειρέματος παρέλθει, η επαγωγική εστία θα απενεργοποιηθεί αυτόματα.
- Πατώντας οποιοδήποτε κουμπί λειτουργίας ή τα κουμπιά [Timer/Preset] (Χρονοδιακόπτης/Προκαθορισμένη διάρκεια) ή [ON/OFF] (Ενεργοποίηση/Απενεργοποίηση), η συσκευή εξέρχεται από τη λειτουργία χρονοδιακόπτη.

Προκαθορισμένη διάρκεια

Αυτή η λειτουργία ισχύει μόνο για τις λειτουργίες μαγειρέματος [Porridge] (Πόριτζ), [Steam] (Ατμός), [Soup] (Σούπα), [Water] (Νερό), [Milk] (Γάλα) και [Warm] (Ζέσταμα).

- Πρώτα επιλέξτε την επιθυμητή λειτουργία μαγειρέματος και στη συνέχεια πατήστε το κουμπί [Timer/Preset] (Χρονοδιακόπτης/Προκαθορισμένη διάρκεια). Στην οθόνη LED αναβοσβήνει η ένδειξη [0:00].
- Πατήστε τα κουμπιά [+] ή [-] ή την μπάρα ολίσθησης για να ρυθμίσετε τον χρονοδιακόπτη από [0:01] λεπτό έως [24:00] ώρες. Πατήστε παρατεταμένα τα κουμπιά [+] ή [-] για να ρυθμίσετε γρήγορα τη διάρκεια. - Μόλις ρυθμίσετε την επιθυμητή διάρκεια, μην πατήσετε κανένα κουμπί. Η οθόνη LED θα αναβοσβήσει κάποιες φορές και ο χρονοδιακόπτης είναι τώρα ενεργοποιημένος και θα αρχίσει να μετράει αντίστροφα.
- Μόλις ο προκαθορισμένος χρόνος συμπληρωθεί, ενεργοποιείται η επιλεγμένη λειτουργία μαγειρέματος και η επαγωγική εστία αρχίζει να θερμαίνεται.
- Πατώντας οποιοδήποτε κουμπί λειτουργίας ή τα κουμπιά [Timer/Preset] (Χρονοδιακόπτης/Προκαθορισμένη διάρκεια) ή [ON/OFF] (Ενεργοποίηση/Απενεργοποίηση), η συσκευή εξέρχεται από τη λειτουργία προκαθορισμένης διάρκειας.

Lock (Κλειδωμα)

- Πατήστε παρατεταμένα το κουμπί [LOCK] (Κλειδωμα) για 3 δευτερόλεπτα για να κλειδώσετε τη συσκευή. Η φωτεινή ένδειξη του κουμπιού [LOCK] (Κλειδωμα) θα ανάψει.
- Όλα τα κουμπιά απενεργοποιούνται με την ενεργοποίηση της λειτουργίας κλειδώματος.
- Για έξοδο από τη λειτουργία κλειδώματος, πατήστε παρατεταμένα το κουμπί [LOCK] (Κλειδωμα) για 3 δευτερόλεπτα.

Voltage (Τάση)

- Πατήστε το κουμπί [Voltage] (Τάση) δύο φορές. Στην οθόνη εμφανίζεται η τάση της οικιακής παροχής ρεύματος.
- Πατήστε το κουμπί [Voltage] (Τάση) μία φορά. Στην οθόνη εμφανίζεται η κατανάλωση ενέργειας.
- Για να ακυρώσετε αυτήν τη λειτουργία, πατήστε κάποιο άλλο κουμπί ή το κουμπί [On/Off] (Ενεργοποίηση/Απενεργοποίηση).

ΕΠΙΛΟΓΗ ΜΑΓΕΙΡΙΚΩΝ ΣΚΕΥΩΝ

1. Απαιτούμενα υλικά: Χρησιμοποιείτε μόνο μαγειρικά σκεύη κατάλληλα για επαγγελματικές εστίες τα οποία είναι κατασκευασμένα από χάλυβα, χυτοσίδηρο, εμαγιέ, ανοξείδωτο χάλυβα, τηγάνια/κατσαρόλες με επίπεδο πάτο με διάμετρο από 12 έως 26 cm.
2. Τα τηγάνια/οι κατσαρόλες/τα σκεύη πρέπει να έχουν επίπεδη επιφάνεια. Μην προσπαθήσετε να χρησιμοποιήσετε οποιοδήποτε άλλο είδος σκευών ή δοχείων (ειδικά δοχεία με αισθητήρα πίεσης).



3. Κατά την αγορά ενός μαγειρικού σκεύους, αναζητήστε μια πινακίδα ή διατύπωση στην οποία θα αναγράφεται «Συμβατό με επαγωγή», για να βεβαιωθείτε ότι είναι κατάλληλο για χρήση με αυτήν την εστία.

ΣΥΝΤΗΡΗΣΗ ΚΑΙ ΚΑΘΗΜΕΡΙΝΗ ΦΡΟΝΤΙΔΑ

1. Διατηρείτε τη συσκευή συνεχώς καθαρή. Αποφύγετε την εισχώρηση ακαθαρσιών στον ανεμιστήρα ή σε άλλα εσωτερικά μέρη της συσκευής.
2. Προτού αρχίσετε να καθαρίζετε τη συσκευή, βεβαιωθείτε ότι είναι απενεργοποιημένη και ότι το φινιρ τροφοδοσίας έχει αφαιρεθεί από την πρίζα. Μην καθαρίζετε τη συσκευή εάν η επιφάνειά της δεν έχει κρυώσει.
3. Αφαιρέστε λίπη, ρύπους, λεκέδες κ.λπ. καθαρίζοντας τη συσκευή με ένα καθαρό μαλακό πανί και ήπιο καθαριστικό.
4. Στον ανεμιστήρα που βρίσκεται στην οπή εξαερισμού της συσκευής αναμένεται να προσκολληθούν ακαθαρσίες. Φροντίστε να τις αφαιρείτε τακτικά με μια μαλακή βούρτσα ή μπατονέτα.
5. Μην βυθίζετε τη συσκευή ή το καλώδιο τροφοδοσίας απευθείας σε νερό ή οποιοδήποτε άλλο υγρό για να την καθαρίσετε. Θα προκληθεί βλάβη στη συσκευή. Για να προστατέψετε τη συσκευή από τυχόν υπέρταση, βεβαιωθείτε ότι το φινιρ είναι σωστά συνδεδεμένο στην πρίζα.
6. Μην αφαιρείτε το καλώδιο τροφοδοσίας από την πρίζα απευθείας ενώ η συσκευή λειτουργεί. Για να παρατείνετε τη διάρκεια ζωής της συσκευής, πατήστε πρώτα το κουμπί ενεργοποίησης/απενεργοποίησης και στη συνέχεια αφαιρέστε το καλώδιο τροφοδοσίας από την πρίζα.
7. Ο ανεμιστήρας τίθεται σε λειτουργία προκειμένου να μειωθεί η θερμοκρασία της θερμαινόμενης πλάκας ακόμα και μετά την απενεργοποίηση της συσκευής. Συνιστάται να αφαιρέτε το φινιρ από την πρίζα όταν ο ανεμιστήρας σταματήσει να λειτουργεί.
8. Όταν δεν χρησιμοποιείτε τη συσκευή για μεγάλο χρονικό διάστημα, αφαιρέστε το φινιρ από την πρίζα.
9. Ορισμένα μοντέλα διαθέτουν κατάλληλο σχεδιασμό που αποτρέπει την είσοδο κατασβίλων στο εσωτερικό της συσκευής. Εάν είναι απαραίτητο, μπορείτε να χρησιμοποιήσετε ναφθαλίνη ή αντίστοιχο απωθητικό κατασβίλων για την προστασία της συσκευής.

ΑΝΤΙΜΕΤΩΠΙΣΗ ΚΑΙ ΕΠΙΛΥΣΗ ΠΡΟΒΛΗΜΑΤΩΝ

Εάν προκύψει κάποιο πρόβλημα κατά τη λειτουργία της συσκευής, δείτε τον παρακάτω πίνακα για συνήθεις επιλογές αντιμετώπισης προτού καλέσετε το σέρβις. Ακολουθούν κάποια κοινά σφάλματα και οι έλεγχοι που πρέπει να πραγματοποιηθούν.

ΣΦΑΛΜΑ	ΕΛΕΓΧΟΙ	ΑΝΤΙΜΕΤΩΠΙΣΗ
Κωδικός σφάλματος E0	Δεν έχουν τοποθετηθεί μαγειρικά σκευή ή χρησιμοποιούνται μη συμβατά σκευή	Ελέγξτε εάν τα μαγειρικά σκευή είναι κατάλληλα για χρήση με επαγωγικές εστίες ή όχι
Κωδικός σφάλματος E1	Χαμηλή τάση	Φροντίστε η τάση να είναι >88V. Η τάση 220V~240V είναι ιδανική.
Κωδικός σφάλματος E2	Υψηλή τάση	Φροντίστε η τάση να είναι <280V. Η τάση 220V~240V είναι ιδανική.
Κωδικός σφάλματος E3	Υπερθέρμανση ή βραχυκύκλωμα στον αισθητήρα της επάνω πλάκας	Θέστε τη συσκευή ξανά σε λειτουργία μόλις μειωθεί η θερμοκρασία. Εάν όχι, επιστρέψτε την επαγωγική εστία στο κέντρο σέρβις για έλεγχο και επισκευή.
Κωδικός σφάλματος E4	Ανοιχτό κύκλωμα στον αισθητήρα της επάνω πλάκας ή μη σύνδεση του αισθητήρα	Επικοινωνήστε με το κέντρο σέρβις για τη διενέργεια ελέγχου και επισκευής.
Κωδικός σφάλματος E5	Υπερθέρμανση ή βραχυκύκλωμα στον αισθητήρα IGBT ή μη συνδεδεμένος ανεμιστήρας	Επικοινωνήστε με το κέντρο σέρβις για τη διενέργεια ελέγχου και επισκευής.
Κωδικός σφάλματος E6	Ανοιχτό κύκλωμα αισθητήρα IGBT	Επικοινωνήστε με το κέντρο σέρβις για τη διενέργεια ελέγχου και επισκευής.

Σωστή απόρριψη αυτού του προϊόντος:



Αυτή η σήμανση υποδεικνύει ότι αυτό το προϊόν δεν πρέπει να απορρίπτεται με άλλα οικιακά απορρίμματα σε ολόκληρη την ΕΕ. Για να αποτρέψετε πιθανή βλάβη στο περιβάλλον ή την ανθρώπινη υγεία από ανεξέλεγκτη διάθεση απορριμμάτων, ανακυκλώστε τα υπεύθυνα για να προωθήσετε τη βιώσιμη επαναχρησιμοποίηση υλικών πόρων. Για να επιστρέψετε τη χρησιμοποιημένη συσκευή σας χρησιμοποιήστε τα συστήματα επιστροφής και συλλογής ή επικοινωνήστε με το κατάστημα λιανικής πώλησης από το οποίο αγοράστηκε το προϊόν, για να το παραλάβετε για ασφαλή περιβαλλοντική ανακύκλωση.

Samo za domaćinstvo.

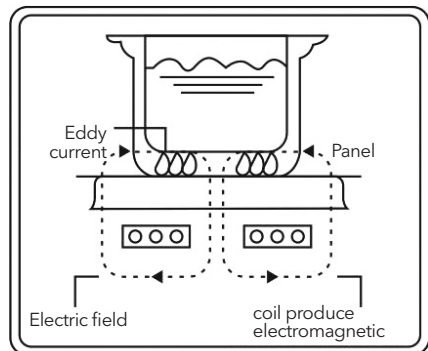
Prije upotrebe pažljivo pročitajte uputstvo za upotrebu.

VAŽNA UPUTSTVA ZA SIGURNOST

1. Ne postavljajte jedinicu blizu vatre, plina ili bilo kakvog vrućeg okruženja kako biste izbjegli oštećenja ili kvar.
2. Da bi se smanjio rizik i oštećenje, utikač treba biti postavljen u pojedinačnu utičnicu i nazivna električna struja ne bi trebala biti manja od 16A.
3. Postavite jedinicu na ravnu i suhu površinu. Uvjerite se da postoji minimalna slobodna površina od najmanje 10 cm koja okružuje jedinicu sa svih strana.
4. Ne uranjajte uređaj ili električni kabel u vodu ili bilo koju drugu tekućinu.
5. Ne dozvolite da tekućina uđe u kućište jedinice. Ovo će oštetiti unutarnje električne dijelove.
6. Uvjerite se da je kod za napajanje uklonjen iz utičnice prije čišćenja.
7. Ne pokrivajte otvor za zrak tijekom kuhanja.
8. Prije zagrijavanja bilo koje konzervirane hrane, otvorite poklopac.
9. Ne stavljajte metalne dodatke kao što su žlice, grabilice itd. na ploču za kuhanje tijekom kuhanja kako biste izbjegli zagrijavanje. Preporučljivo je da čak i nemetalne predmete držite najmanje 10 cm od uređaja dok je u upotrebi.
10. Ne kuhajte u praznom loncu. To može prouzrokovati kvar ili predstavljati opasnost.
11. Ako se kabel za napajanje ošteti, molimo vas da ga zamijenite samo kabelom koji preporučuje proizvođač.
12. Ako jedinica iz nekog razloga ne radi čak i nakon što ste riješili osnovne probleme, molimo vas da odmah kontaktirate naše servisne jedinice. Ne pokušavajte sami otvoriti jedinicu jer može biti opasno.
13. Uvijek čistite jedinicu kako biste izbjegli da prljavština uđe u ventilator. Ovo će utjecati na njezin normalan rad.
14. Ne dodirujte ploču dok jedinica radi, može izazvati opekline.
15. Korisnicima sa srčanim pacemakerima se savjetuje da se konzultiraju sa svojim liječnikom prije upotrebe ovog proizvoda.
16. Ne postavljajte jedinicu na ili blizu plinske peći.
17. Ne stavljajte nikakve zapaljive predmete poput papira, tkanine ili drugih sličnih predmeta ispod jedinice. To može izazvati opasnost od požara.
18. Ne postavljajte jedinicu na tkaninu ili tepih itd. Ovo može blokirati ventilacijski otvor i predstavljati opasnost za jedinicu i korisnika.
19. Izbjegavajte udaranje ploče jedinice jer to može napuknuti ili slomiti jedinicu. U slučaju da uočite bilo kakve pukotine na površini ploče za kuhanje, isključite jedinicu i odmah izvucite kabel iz električne utičnice i kontaktirajte servisne centre.
20. Ne dodirujte upravljačku ploču oštrim predmetima.

INDUKCIJSKA TEHNOLOGIJA

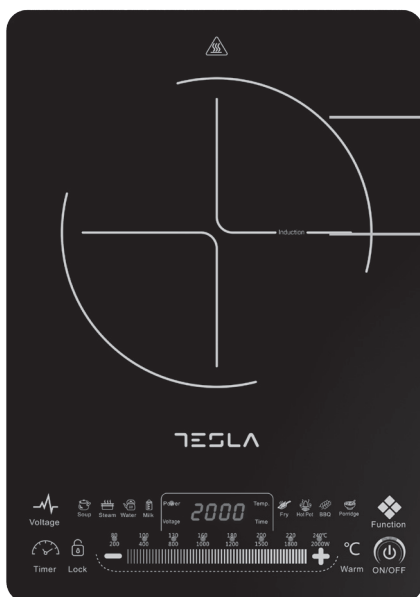
Kada je priključak za napajanje UKLJUČEN, električna struja će proizvesti magnetno polje u indukcijskoj zavojnici, koje je ugrađeno u uređaj. Čim linije magnetne sile u magnetnom polju dodirnu lonac/posudu od legiranog čelika, proizvodi će efekat zagrijavanja, koji zatim zagrijava hranu u loncu ili posudi.



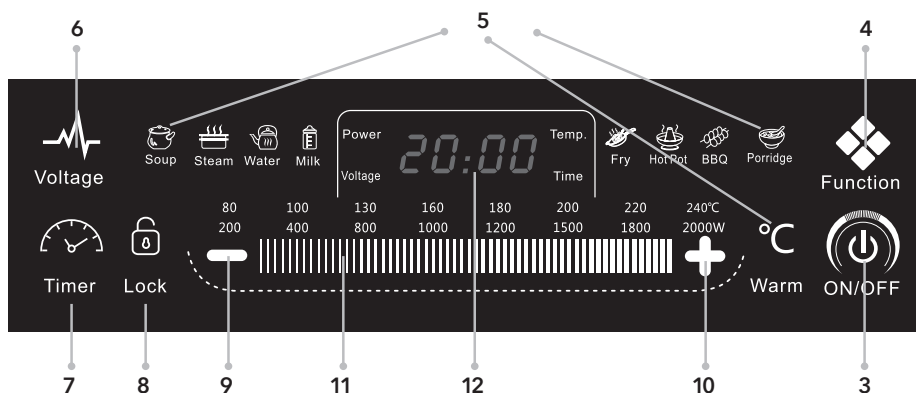
TEHNIČKA SPECIFIKACIJA

Model	IC400B
Snaga	2000W
Napon, Frekvencija	220-240V~, 50Hz-60Hz
Temperatura	80°C-240°C
Dimenzije uređaja	290x370x41mm
Neto težina	2.1 kg

IDENTIFIKACIJA DIJELOVA



1. Crna kristalna ploča
2. Grijuća površina
3. Tipka za uključivanje/isključivanje
4. Funkcijska tipka
5. Kodovi za kuhanje
6. Tipka za napon/potrošnja energije
7. Tipka za podešavanje vremena
8. Tipka za zaključavanje
9. Tipka za smanjenje
10. Tipka za povećanje
11. Klizna tipka
12. LED zaslon



UPUTSTVO ZA UPOTREBU PROIZVODA

Osnovni rad

- Umetnite utikač u AC 220-240V,50/60Hz utičnicu, na zaslonu će se prikazati "...."
- Postavite pribor za kuhanje kompatibilan sa indukcijom u centar ploče za kuhanje.
- Pritisnite tipku ON/OFF da biste uključili jedinicu. Na zaslon će biti prikazano „UKLJUČENO“, a zatim pritisnite funkcijsku tipku, zadani vrući lonac 2000W će automatski odabrati, različiti kod kuhanja i podešavanja.
- Da biste isključili jedinicu, ponovo pritisnite tipku ON/OFF.
- Izvucite utikač iz utičnice ako se jedinica neće koristiti duže vrijeme.

Režimi kuhanja

Hot Pot

- Pritisnite tipku [Function] i indikator vrućeg lonca će se upaliti. Na zaslonu će biti prikazana zadana snaga od 2000W.
- Snaga se može podesiti pomoću tipki [+] i [-] ili kliznom trakom kroz opseg od 200W, 400W, 800W, 1000W, 1200W, 1500W, 1800W i 2000W.
- Kada se kuhanje završi, pritisnite tipku [ON/OFF] da biste isključili jedinicu.
- Jedinica će se automatski isključiti nakon 2 sata ako se ne pritisne nijedna druga funkcijska tipka.
- Timer se može podesiti na 4 sata u ovom režimu.

BBO

- Pritisnite tipku [Function] i indikator roštilja će se upaliti. Na zaslonu će biti prikazana zadana temperatura od 220°C.
- Temperatura se može podesiti pomoću tipki [+] i [-] ili kliznom trakom kroz opseg od 80°C, 100°C, 130°C, 160°C, 180°C, 200°C, 220°C, 240°C.
- Kada se kuhanje završi, pritisnite tipku [ON/OFF] da biste isključili jedinicu.
- Jedinica će se automatski isključiti nakon 2 sata ako se ne pritisne nijedna druga funkcijska tipka.
- Timer se može podesiti na 4 sata u ovom režimu.

Prženje

- Pritisnite tipku [Function] i indikator prženja će se upaliti. Zaslon će prikazati zadanu temperaturu od 240°C.
- Temperatura se može podesiti pomoću tipki [+] i [-] ili kliznom trakom kroz opseg od 80°C, 100°C, 130°C, 160°C, 180°C, 200°C, 220°C, 240°C.
- Kada se kuhanje završi, pritisnite tipku [ON/OFF] da biste isključili jedinicu.
- Jedinica će se automatski isključiti nakon 2 sata ako se ne pritisne nijedna druga funkcijska tipka. - Timer se može podesiti na 4 sata u ovom režimu.

Kaša

- Pritisnite tipku [Function] i indikator kaše će se upaliti. Na zaslonu će biti prikazana zadana snaga od 1200W. Nakon 15 minuta zagrijavanja, snaga će se automatski povećati na 800W.
- Režim se ne može podesiti.
- Kada se kuhanje završi, pritisnite tipku [ON/OFF] da biste isključili jedinicu.

- Jedinica će se automatski isključiti nakon 1 sata ako se ne pritisne nijedna druga funkcijska tipka.
- Unaprijed postavljeno vrijeme može se podesiti za 24 sata unaprijed.

Juha

- Pritisnite tipku [Function] i indikator juhe će se upaliti. Na zaslonu će biti prikazana zadana snaga od 1200W. Nakon 15 minuta zagrijavanja, snaga će se automatski povećati na 800W.
- Režim se ne može podesiti.
- Kada se kuhanje završi, pritisnite tipku [ON/OFF] da biste isključili jedinicu.
- Jedinica će se automatski isključiti nakon 2 sata ako se ne pritisne nijedna druga funkcijska tipka.
- Unaprijed postavljeno vrijeme može se podesiti za 24 sata unaprijed.

Para

- Pritisnite tipku [Function] i indikator pare će se upaliti. Na zaslonu će biti prikazana zadana snaga od 1200W. Nakon 15 minuta zagrijavanja, snaga će se automatski povećati na 800W.
- Režim se ne može podesiti.
- Kada se kuhanje završi, pritisnite tipku [ON/OFF] da biste isključili jedinicu.
- Jedinica će se automatski isključiti nakon 2 sata ako se ne pritisne nijedna druga funkcijska tipka.
- Unaprijed postavljeno vrijeme može se podesiti za 24 sata unaprijed.

Voda

- Pritisnite tipku [Function] i indikator vode će se upaliti. Na zaslonu će biti prikazana zadana snaga od 2000W.
- Režim se ne može podesiti.
- Kada se kuhanje završi, pritisnite tipku [ON/OFF] da biste isključili jedinicu.
- Jedinica će se automatski isključiti nakon 20 minuta ako se ne pritisne nijedna druga funkcijska tipka.
- Unaprijed postavljeno vrijeme može se podesiti za 24 sata unaprijed.

Mlijeko

- Pritisnite tipku [Function] i indikator mlijeka će se upaliti. Na zaslonu će biti prikazana zadana temperatura od 800W.
- Režim se ne može podesiti.

- Kada se kuhanje završi, pritisnite tipku [ON/OFF] da biste isključili jedinicu.
- Jedinica će se automatski isključiti nakon 20 minuta ako se ne pritisne nijedna druga funkcijska tipka. - Unaprijed postavljeno vrijeme može se podesiti za 24 sata unaprijed.

Toplo

- Pritisnite tipku [Warm] i indikator zagrijavanja će se upaliti. Na zaslonu će biti prikazana zadana temperatura od 80°C.
- Režim se ne može podesiti.
- Kada se kuhanje završi, pritisnite tipku [ON/OFF] da biste isključili jedinicu.
- Jedinica će se automatski isključiti nakon 2 sata ako se ne pritisne nijedna druga funkcijska tipka.
- Unaprijed postavljeno vrijeme može se podesiti za 24 sata unaprijed.

Timer

Ova funkcija je primjenjiva samo na režime kuhanja [Fry], [Hot Pot] i [BBQ].

- Prvo odaberite željeni režim kuhanja, a zatim pritisnite tipku [Timer/Preset]. LED zaslon će treptati [0:00].
- Pritisnite tipku [+] ili [-] ili kliznu traku da podesite timer od [0:01] minute do [4:00] sati.
- Pritisnite i držite tipku [+] ili [-] za brzo postavljanje vremena.
- Kada je željeno vrijeme podešeno, nemojte pritiskati nijednu tipku. LED zaslon će treptati vrijeme i timer je sada aktiviran i početak će odbrojavati.
- Kada istekne postavljeno vrijeme, indukcijski štednjak će se automatski isključiti.
- Pritiskom na bilo koju tipku za režime kuhanja ili tipku [Timer/Preset] ili [ON/OFF] izlazite iz režima timera.

Preset

Ova funkcija je primjenjiva samo na [kašu], [paru], [juhu], [vodu], [mlijeko] i [toplo] režime kuhanja.

- Prvo odaberite željeni režim kuhanja, a zatim pritisnite tipku [Timer/Preset]. LED zaslon će treptati [0:00].
- Pritisnite tipku [+] ili [-] ili kliznu traku da podesite unaprijed postavljeno vrijeme od [0:01] minute do [24:00] sata. Pritisnite i držite tipku [+] ili [-] za brzo postavljanje vremena.
- Kada je željeno vrijeme postavljeno, nemojte pritiskati nijednu tipku. LED zaslon će treptati nekoliko puta i timer je sada aktiviran i početak će odbrojavati.
- Kada unaprijed postavljeno vrijeme istekne, odabrani režim kuhanja će se aktivirati i indukcijski štednjak će se početi zagrijavati.
- Pritiskom na bilo koju tipku za režime kuhanja ili tipku [Timer/Preset] ili [ON/OFF] izlazite iz unaprijed postavljenog režima.

Zaključati

- Pritisnite i držite tipku [LOCK] 3 sekunde da zaključate jedinicu. Indikator za [Lock] će se upaliti.
- Sve tipke su deaktivirane u režimu zaključavanja.
- Da biste izašli iz režima zaključavanja, pritisnite i držite tipku [LOCK] 3 sekunde.

Napon

- Pritisnite tipku [Voltage] dva puta, na zaslonu će se prikazati lokalni napon.
- Pritisnite tipku [Voltage] jednom, na zaslonu će se prikazati potrošnja energije.
- Da biste otkazali ovaj režim, pritisnite druge tipke ili tipku [On/Off].

IZBOR POSUĐA

1. Potreban materijal: Koristite samo posude koje je kompatibilno s indukcijom od čelika, lijevanog željeza, emajliranog željeza, nehrđajućeg čelika, tave/lonci s ravnim dnom promjera 12 do 26 cm
2. Tave/lonci/posude trebaju imati ravnu površinu. Ne pokušavajte koristiti bilo koju drugu vrstu pribora ili posuda (naročito posude sa senzorom pritiska)



3. Dok kupujete svoje posude, potražite znak ili naljepnicu "Indukcijski kompatibilan" kako biste bili sigurni da će raditi s ovom pločom za kuhanje.

ODRŽAVANJE I ČIŠĆENJE

1. Održavajte jedinicu uvijek čistom. Izbjegavajte da prljavština uđe u ventilator ili druge unutarnje dijelove jedinice.
2. Prije nego što počnete čistiti jedinicu, uvjerite se da je jedinica isključena i izvucite utikač iz utičnice. Nemojte čistiti jedinicu dok se površina ne ohladi.
3. Uklonite masnoću, prljavštinu, mrlje itd. čišćenjem jedinice čistom mekanom krpom i blagim deterdžentom.
4. Ventilator u ventilacijskom otvoru jedinice će se zaprljati na njemu. Redovno ga uklanjajte mekanom četkom ili vatrom.

- Nemojte uranjati jedinicu ili kabel za napajanje direktno u vodu ili bilo koju drugu tekućinu da biste ih očistili. To će oštetiti jedinicu. Da biste zaštitili jedinicu od bilo kakvog napona, uvjerite se da je utikač pravilno uklopljen u utičnicu.
- Nemojte izvlačiti kabel za napajanje direktno tijekom rada. Da biste produžili vijek trajanja uređaja, prvo pritisnite tipku „Uključeno/isključeno“, a zatim izvucite kabel za napajanje iz utičnice.
- Ventilator će raditi da ohladi grijaču ploču čak i nakon što je jedinica isključena. Bolje je ukloniti utikač nakon što ventilator prestane raditi.
- Kada ne koristite jedinicu duže vrijeme, izvucite utikač iz utičnice.
- Neki modeli će imati strukturalni dizajn da spriječi bube da uđu u jedinicu. Ako je potrebno, možete koristiti naftalin ili ekvivalentno sredstvo protiv buba da zaštitite jedinicu.

RJEŠAVANJE PROBLEMA

Tijekom rada, ako postoji bilo kakva greška, pogledajte sljedeću tablicu za uobičajene opcije za rješavanje problema prije nego što pozovete servis. Ispod su uobičajene greške i provjere koje treba izvršiti

SCENARIJ POGREŠKE	KONTROLNE TOČKE	POPRAVITI
Kod grešaka se javlja E0	Bez posuđa ili korišteno nekompatibilno posuđe	Provjerite je li posuđe kompatibilno sa indukcijom ili ne
Kod grešaka se javlja E1	Niža razina Napona	Uvjerite se da je napon >88V, 220V ~ 240V je savršeno
Kod grešaka se javlja E2	Visoka razina Napona	Uvjerite se da je napon <280V, 220V ~ 240V je savršeno
Kod grešaka se javlja E3	Senzor gornje ploče se pregrijava ili kratak spoj - Strujni krug	Počnite ponovno nakon što se temperatura ohladi. Ako nije, vratite štednjak u servisni centar na provjeru i popravak
Kod grešaka se javlja E4	Otvoreni krug senzora gornje ploče ili bez veze	Molimo kontaktirajte servisni centar radi provjere i popravka
Kod grešaka se javlja E5	Pregriavanje ili kratak spoj IGBT senzora Krug ili ventilator bez veze	Molimo kontaktirajte servisni centar radi provjere i popravka
Kod grešaka se javlja E6	Otvoreni krug IGBT senzora	Molimo kontaktirajte servisni centar radi provjere i popravka

Pravilno odlaganje ovog proizvoda



Ova oznaka označava da se ovaj proizvod ne smije odlagati s ostalim kućnim otpadom u cijeloj EU. Da biste spriječili moguću štetu po okoliš ili zdravlje ljudi zbog nekontroliranog odlaganja otpada, odgovorno ga reciklirajte da biste promovirali održivu ponovnu upotrebu materijalnih resursa. Da biste vratili svoj korišćeni aparat, koristite sustave za vraćanje i prikupljanje ili se obratite trgovcu kod kojega je proizvod kupljen, oni mogu uzeti proizvod za ekološku reciklažu.

Kizárólag háztartási használatra.

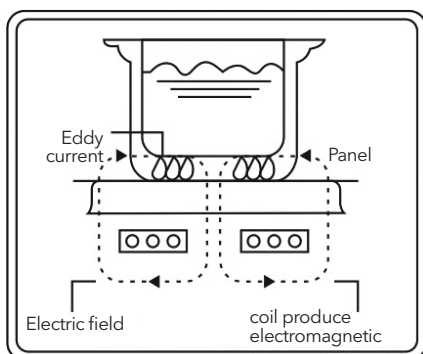
Használat előtt figyelmesen olvassa el a használati útmutatót.

FONTOS BIZTONSÁGI ÓVINTÉZKEDÉSEK

1. A készüléket a sérülések vagy meghibásodások elkerülése érdekében ne helyezze közvetlen hőforrás vagy nyílt láng közelébe.
2. A tűz- és egyéb veszélyek csökkentése érdekében a készüléket önálló konnektorhoz kell csatlakoztatni, mely legalább 16A-es biztosítékkal van ellátva.
3. Helyezze a készüléket egy vízszintes és száraz felületre.
4. A készülék körül minden oldalról legalább 10 cm szabad területet hagyjon. Ne merítse a készüléket vagy a tápkábelt vízbe vagy más folyadékba.
5. Ne engedjen semmilyen folyadékot a készülék házba, mivel az károsíthatja a belső elektromos alkatrészeket.
6. Tisztítás előtt győződjön meg róla, hogy a tápkábel ki van húzva a hálózati aljzattól.
7. Főzés közben ne takarja le semmivel a szellőzőnyílást.
8. Mielőtt bármilyen konzervet melegítene, vegye le a fedelét.
9. Ne helyezzen semmilyen fémből készült tartozékot, például kanál, merőkanál stb. a főzőlapra főzés közben, hogy elkerülje azok felmelegedését. Ajánlatos még a nem fémből készült tárgyakat is legalább 10 cm távolságra tartani a készüléktől, amíg az használatban van.
10. Ne használja a készüléket üres edénnyel. Ez meghibásodást okozhat.
11. Ha a tápkábel megsérül, kérjük, ügyeljen arra, hogy csak a gyártó által ajánlott változattal cseréltesse ki.
12. Ha a készülék valamilyen okból nem működik az otthon elvégzett alapvető hibaelhárítás után sem, kérjük, hogy azonnal vegye fel a kapcsolatot szervizpontjainkkal és ne próbálja meg saját maga megjavítani a készüléket, mert veszélyes lehet.
13. Mindig tisztítsa meg a készüléket, hogy a ventilátorba ne kerüljön szennyeződés, mert ez befolyásolná a készülék normális működését.
14. Az égési sérülések elkerülése érdekében ne érintse meg a lemezt működés közben.
15. A szívritmus-szabályozóval rendelkező felhasználóknak azt tanácsoljuk, hogy konzultáljanak orvosukkal, mielőtt ezt a terméket használnák.
16. Ne helyezze a készüléket gáztűzhelyre vagy annak közelébe.
17. Ne helyezzen gyúlékony tárgyakat például papírt, ruhát vagy más hasonló tárgyakat a készülék alá, mert az rendkívül tűzveszélyes helyzetet teremt.
18. Ne helyezze a készüléket ruhára vagy szőnyegre stb., melyek elzárhatják a szellőzőnyílást, és veszélyt jelenthet a készülékre és a felhasználóra.
19. Kerülje a készülék lemezének ütögetését, mert megrepedhet vagy eltörhet. Amennyiben sérülést észlel a főzőlapon, azonnal kapcsolja ki a készüléket és húzza ki a tápkábelt a konnektorból, majd forduljon a szervizközpontokhoz.
20. Ne érintse meg a vezérlőpanelt semmilyen éles tárggyal.

INDUKCIÓS TECHNOLOGIA

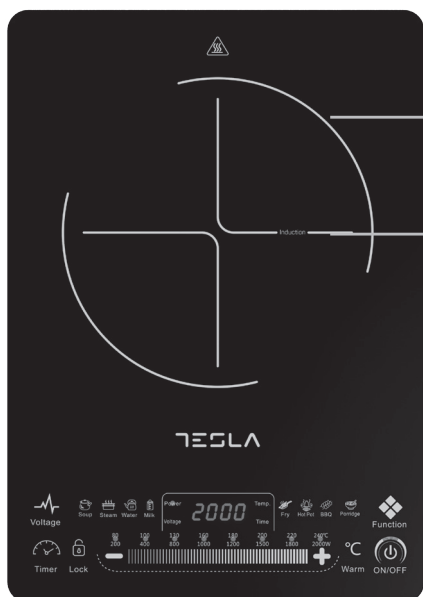
Amikor a készülék be van kapcsolva, az elektromos áram mágneses mezőt hoz létre az indukciós tekercsben, amely be van építve a készülékbe. Amint a mágneses erővonalak a mágneses mezőben elérik az ötvöztött acél edényt / bográcsot, hőleadást vált ki, amely aztán felmelegíti az ételeket a serpenyőben vagy edényben.



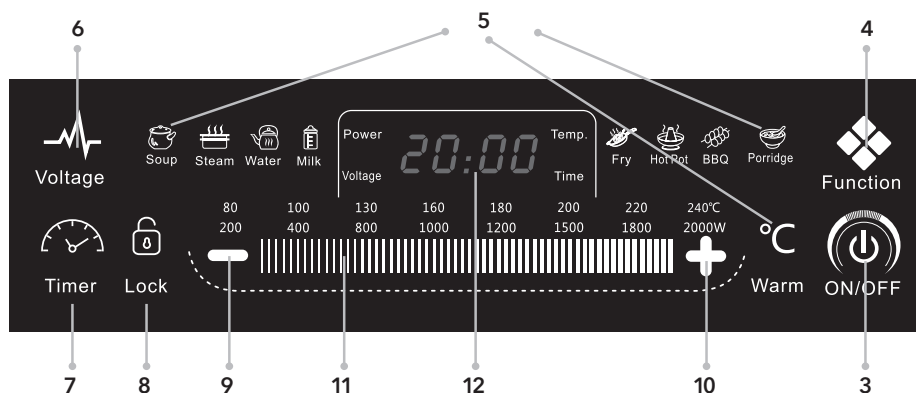
TECHNIKAI SPECIFIKÁCIÓK

Modell	IC400B
Teljesítmény	2000W
Hálózati követelmény	220-240V~, 50Hz-60Hz
Hőmérsékleti tartomány	80°C-240°C
Méretek	290x370x41mm
Nettó súly	2.1 kg

A KÉSZÜLÉK ALKATRÉSZEI



1. Fekete üvegfelület
2. Főzőterület
3. Be-/kikapcsoló gomb
4. Funkció gombok
5. Főzési beállítások
6. Teljesítményszabályzó gombok
7. Időzítő gomb
8. Lezáró gomb
9. Teljesítmény csökkentése
10. Teljesítmény növelése
11. „Csúszó” gomb
12. LED kijelző



A TERMÉK HASZNÁLATI UTASÍTÁSA

Alapvető működés

- Csatlakoztassa a készüléket egy 220-240V,50/60Hz-es AC aljzatba, a kijelzőn megjelenik a "----"
- Helyezzen egy kompatibilis edényt a főzőlap közepére.
- Nyomja meg az ON/OFF gombot a készülék bekapcsolásához. A kijelzőn megjelenik a "ON", majd nyomja meg a Funkció gombot, az alapértelmezett Hot Pot 2000W. Válassza ki a különböző főzési módot és beállítást.
- A készülék kikapcsolásához nyomja meg újra az ON/OFF gombot.
- Húzza ki a dugót a konnektorból, ha a készüléket hosszabb ideig nem fogja használni.

Főzési módok

Hot Pot

- Nyomja meg a [FUNCTION] gombot, és a HOT POT világitani fog. A kijelzőn az alapértelmezett 2000W-os teljesítmény jelenik meg.
- A teljesítmény a [+] és [-] gombokkal vagy a sávval állítható a 200W, 400W, 800W, 1000W, 1200W, 1500W, 1800W és 2000W tartományban.
- A főzés befejezése után nyomja meg az [ON/OFF] gombot a készülék kikapcsolásához.
- A készülék 2 óra elteltével automatikusan kikapcsol, ha nem nyom meg más funkciógombot.
- Az időzítő 4 órára állítható be ebben az üzemmódban.

BBQ

- Nyomja meg a [FUNCTION] gombot, és a BBQ világitani fog. A kijelzőn az alapértelmezett 220 °C hőmérséklet jelenik meg.
- A hőmérsékletet a [+] és [-] gombokkal vagy a sávval lehet beállítani a 80°C,100°C,130°C,160°C,180°C,200°C,220°C,240°C tartományban.
- A főzés befejezése után nyomja meg az [ON/OFF] gombot a készülék kikapcsolásához.
- A készülék 2 óra elteltével automatikusan kikapcsol, ha nem nyom meg más funkciógombot.
- Az időzítő 4 órára állítható be ebben az üzemmódban.

Fry

- Nyomja meg a [FUNCTION] gombot, és a FRY jelzőfénye világitani kezd. A kijelzőn az alapértelmezett 240 °C hőmérséklet jelenik meg.
- A hőmérséklet a [+] és [-] gombokkal vagy a sávval állítható a 80°C,100°C,130°C,160°C,180°C, 200°C, 220°C, 240°C tartományban.
- A főzés befejezése után nyomja meg az [ON/OFF] gombot a készülék kikapcsolásához.
- A készülék 2 óra elteltével automatikusan kikapcsol, ha nem nyom meg más funkciógombot.
- Az időzítő 4 órára állítható be ebben az üzemmódban.

Porridge

- Nyomja meg a [FUNCTION] gombot, és a Porridge világitani kezd. A kijelzőn az alapértelmezett 1200W-os teljesítmény jelenik meg. A 15 perces melegítés után a teljesítmény automatikusan 800W-ra változik.
- Az üzemmód nem állítható.
- A főzés befejezése után nyomja meg a [ON/OFF] gombot a készülék kikapcsolásához.

- A készülék 1 óra elteltével automatikusan kikapcsol, ha nem nyom meg más funkciógombot.
- Az előre beállított idő 24 órára előre beállítható.

Soup

- Nyomja meg a [FUNCTION] gombot, és a Soup világitani kezd. A kijelzőn az alapértelmezett 1200 W-os teljesítmény jelenik meg. A 15 perces melegítés után a teljesítmény automatikusan 800W-ra változik.
- Az üzemmód nem állítható.
- A főzés befejezése után nyomja meg a [ON/OFF] gombot a készülék kikapcsolásához.
- A készülék 2 óra elteltével automatikusan kikapcsol, ha nem nyom meg más funkciógombot.
- Az előre beállított idő 24 órára előre beállítható.

Steam

- Nyomja meg a [FUNCTION] gombot, és a Steam világitani kezd. A kijelzőn az alapértelmezett 1200 W-os teljesítmény jelenik meg. 15 perc melegítés után a teljesítmény automatikusan 800W-ra változik.
- Az üzemmód nem állítható.
- A főzés befejezése után nyomja meg a [ON/OFF] gombot a készülék kikapcsolásához.
- A készülék 2 óra elteltével automatikusan kikapcsol, ha nem nyom meg más funkciógombot.
- Az előre beállított idő 24 órára előre beállítható.

Water

- Nyomja meg a [FUNCTION] gombot, és a Water világitani kezd. A kijelzőn az alapértelmezett 2000W-os teljesítmény jelenik meg.
- Az üzemmód nem állítható.
- A főzés befejezése után nyomja meg a [ON/OFF] gombot a készülék kikapcsolásához.
- A készülék 20 perc elteltével automatikusan kikapcsol, ha nem nyom meg más funkciógombot.
- Az előre beállított idő 24 órára előre beállítható.

Milk

- Nyomja meg a [FUNCTION] gombot, és a Milk világitani kezd. A kijelzőn az alapértelmezett 800W hőmérséklet jelenik meg.
- Az üzemmód nem állítható.
- A főzés befejezése után nyomja meg a [ON/OFF] gombot a készülék kikapcsolásához.
- A készülék 20 perc elteltével automatikusan kikapcsol, ha nem nyom meg más funkciógombot.

- Az előre beállított idő 24 órára előre beállítható.

Warm

- Nyomja meg a [Warm] gombot, és a Warm jelzőfény világítani kezd. A kijelzőn az alapértelmezett 80 °C hőmérséklet jelenik meg.
- Az üzemmód nem állítható.
- A főzés befejezése után nyomja meg az [ON/OFF] gombot a készülék kikapcsolásához.
- A készülék 2 óra elteltével automatikusan kikapcsol, ha nem nyom meg más funkciógombot.
- Az előre beállított idő 24 órára előre beállítható.

Timer

Ez a funkció csak a [Fry], [Hot Pot] és [BBQ] főzési módoknál alkalmazható.

- Először válassza ki a kívánt főzési módot, majd nyomja meg az [Timer/Preset] gombot. A LED kijelzőn villogni fog a [0:00].
- Nyomja meg a [+] vagy [-] gombokat vagy a sávot az időzítő beállításához [0:01] perc és [4:00] óra között. Az idő gyors állításához tartsa lenyomva a [+] vagy [-] gombokat.
- Miután beállította a kívánt időt, ne nyomja meg egyik gombot sem. A LED kijelző villogni fog az idő, és így az időzítő most már aktívva van, elkezd visszaszámolni.
- A beállított idő letelte után az indukciós főző automatikusan kikapcsol.
- A főzési mód bármelyik gombjának vagy a [Timer/Preset] gombnak vagy a [ON/OFF] gombnak a megnyomásával kilép az időzítő üzemmódból.

Preset

- Ez a funkció csak a [Porridge], [Steam], [Soup], [Water],

[Milk] és [Warm] főzési módoknál alkalmazható.

- Először válassza ki a kívánt főzési módot, majd nyomja meg az [Timer/Preset] gombot. A LED kijelzőn villogni fog a [0:00].
- Nyomja meg a [+] vagy [-] gombokat vagy a sávot az előre beállított időzítés módosításához [0:01] perc és [24:00] óra között. Az idő gyors beállításához tartsa lenyomva a [+] vagy [-] gombokat. - Miután beállította a kívánt időt, ne nyomja meg egyik gombot sem. A LED kijelző villogni fog, az időzítő ezzel aktiválva van, elkezd visszaszámolni.
- Az előre beállított idő letelte után a kiválasztott főzési mód aktiválódik, és az indukciós főző elkezd felmelegedni.
- Bármelyik főzési mód gomb vagy az [Időzítő/előreállítás] gomb vagy a [ON/OFF] gomb megnyomásával kilép az előre beállított üzemmódból.

Lock

- Nyomja meg és tartsa lenyomva a [LOCK] gombot 3 másodpercig a készülék zárolásához. A [Lock] kijelző világítani kezd.
- A zárolási mód alatt minden gomb ki van kapcsolva.
- A zárolási módból való kilépéshez nyomja meg és tartsa lenyomva a [LOCK] gombot 3 másodpercig.

Voltage

- Nyomja meg kétszer a [Voltage] gombot, a kijelzőn megjelenik a feszültség.
- Nyomja meg egyszer a [Voltage] gombot, a kijelzőn megjelenik a Teljesítményfogyasztás.
- Az üzemmód megszüntetéséhez nyomjon meg egy billentyűt vagy az [On/Off] gombot.

FŐZŐEDÉNYEK KIVÁLASZTÁSA

1. Kérjük, csak acélból, öntöttvasból, rozáncozott vasból, rozsdamentes acélból, 12-26 cm átmérőjű lapos aljú serpenyőkből/fazekakból készült, indukcióval kompatibilis edényeket használjon.
2. A serpenyőknek/edényeknek/edényeknek egyenes aljúnak kell lenniük. Ne próbáljon meg másfajta edényeket használni (különösen nyomásérzékelős edényeket).



3. Amikor megvásárolja a főzőedényeket, keressen egy "Indukciós kompatibilis" jelet vagy feliratot, hogy megbizonyosodjon arról, hogy működni fog ezzel a főzőlappal.

KARBANTARTÁS ÉS NAPI ÁPOLÁS

1. A készüléket mindig tartsa tisztán. Ügyeljen rá, hogy szennyeződés ne kerüljön a ventilátorba vagy a készülék egyéb belső részeibe.
2. Mielőtt elkezdené a készülék tisztítását, győződjön meg arról, hogy a készülék ki van kapcsolva, és húzza ki a hálózati csatlakozót a konnektorból. Ne tisztítsa a készüléket, amíg a felület le nem hűlt.
3. Távolítsa el a zsírt, szennyeződéseket, foltokat stb. a készülék tiszta, puha ruhával és enyhe tisztítószerrel történő áttöréssel.

- A készülék szellőzőnyílásában lévő ventilátorra szennyeződések tapadnak. Kérjük, hogy rendszeresen távolítsa el azokat egy puha kefével vagy pamutpálcikával.
- Ne merítse a készüléket vagy a tápkábelt közvetlenül vízbe vagy bármilyen más folyadékba a tisztításhoz. Ez károsítja a készüléket. A készülék bármilyen áramütéstől való védelme érdekében győződjön meg arról, hogy a dugó megfelelően illeszkedik a konnektorból.
- Ne húzza ki közvetlenül a tápkábelt működés közben. A készülék élettartamának meghosszabbítása érdekében először nyomja meg a "Be/Ki" gombot, majd húzza ki a tápkábelt az aljzatból.
- A ventilátor a készülék kikapcsolása után is működik a fűtőlap hűtése miatt. Ha a ventilátor leállt, húzza ki a tápkábelt a konnektorból.
- Ha hosszabb ideig nem használja a készüléket, húzza ki a villásdugót a konnektorból.
- Egyes modellek olyan szerkezeti kialakítással rendelkeznek, amelyek megakadályozzák a bogarak bejutását a készülék belsejébe. Ha szükséges, használhat molyirtót vagy ezzel egyenértékű rovarriasztót a készülék védelmére.

HIBAEELHÁRÍTÁS ÉS MEGOLDÁS

Ha bármilyen hiba lép fel kérjük, ellenőrizze a következő táblázatban a gyakori hibaelhárítási lehetőségeket, mielőtt a szervizhez fordulna. Az alábbiakban a gyakori hibákat és az elvégzendő ellenőrzéseket ismertetjük.

HIBA	JELENTÉS	JAVÍTÁS
Hibakód: E0	Főzőedények nélkül vagy nem kompatibilis főzőedények használata	Kérjük, ellenőrizze, hogy a főzőedény indukciós kompatibilis-e vagy sem.
Hibakód: E1	Alacsony feszültség	Kérjük, ellenőrizze, hogy a feszültség > 88V, 220V ~ 240V a tökéletes
Hibakód: E2	Nagyfeszültség	Kérjük, győződjön meg arról, hogy a feszültség < 280V, 220V ~ 240V a tökéletes
Hibakód: E3	Túlmelegedés vagy rövidzárlat a felső lemezerzékelőben	A készülék lehűlése után indítsa újra. Ha nem sikerül, kérjük, vigye el a főzőlapot a szervizközpontba ellenőrzésre és javításra.
Hibakód: E4	Felső lemezerzékelő nyitott áramkör vagy csatlakoztatás nélkül	Kérjük, forduljon a szervizközponthoz ellenőrzés és javítás céljából
Hibakód: E5	IGBT érzékelő túlmelegedés vagy rövidzárlat, vagy ventilátor csatlakoztatás hibás	Kérjük, forduljon a szervizközponthoz ellenőrzés és javítás céljából
Hibakód: E6	IGBT Sensor Open Circuit	Kérjük, forduljon a szervizközponthoz ellenőrzés és javítás céljából

HULLADÉKKEZELÉS



A fenti szimbólum azt jelzi, hogy a helyi törvényeknek és előírásoknak megfelelően a készüléket a háztartási hulladéktól elkülönítve kell a hulladékba helyezni. Ha a termék eléri élettartama végét, vigye a helyi hatóságok által kijelölt gyűjtőpontra. A készülék elkülönített módon történő gyűjtése és újrahasznosítása segít megővni a természeti erőforrásokat, és biztosítja, hogy az újrahasznosítás az emberi egészség és a környezet védelmével összhangban történjen. A termék újrahasznosítása érdekében további információért forduljon az illetékesekhez, a helyi hulladékgyűjtő szolgáltatóhoz vagy ahhoz az üzlethez, ahol a terméket megvásárolta.

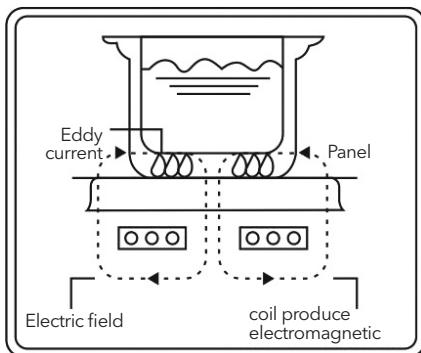
Само за домашна употреба.
Внимателно прочитајте ги упатствата за употреба пред употреба.

ВАЖНИ УПАТСТВА ЗА БЕЗБЕДНОСТ

1. Не го ставајте уредот во близина на оган или гас или жешка средина за да избегнете оштетувања или неисправност.
2. За да се намали ризикот и оштетувањето, приклучокот треба да се вклопи во индивидуален штекер и номиналната електрична струја не треба да биде помала од 16А.
3. Ставете го уредот на рамна и сува површина. Површина од најмалку 10 cm околу уредот од сите страни.
4. Не потопувајте го апаратот или електричниот кабел во вода или која било друга течност.
5. Не дозволувајте течност да влезе во кабинетот на уредот. Тоа ќе ги оштети внатрешните електрични делови.
6. Уверете се дека кодот за напојување е отстранет од штекерот пред да го чистите.
7. Не покривајте го отворот за воздух за време на готвењето.
8. Пред загревање на конзервирана храна, ве молиме отстранете го капакот.
9. Не ставајте метални додатоци како лажици, ложички и сл. на плочата додека готвите за да избегнете загревање.
10. Не гответе со празно тенџере. Тоа може да предизвика дефект или да претставува опасност.
11. Ако кабелот за напојување се оштети, ве молиме потрудете се да го замените само со кабел препорачан од производителот.
12. Ако уредот не работи поради некоја причина дури и по основното отстранување на проблеми од ваша страна, ве молиме веднаш контактирајте ги нашите сервисни места. Не обидувајте се сами да го отворите уредот бидејќи може да биде опасно.
13. Секогаш чистете го уредот за да избегнете нечистотија да влезе во вентилаторот. Ова ќе влијае на неговото нормално функционирање.
14. Не допирајте ја плочата додека уредот работи, тоа може да предизвика изгореници.
15. Корисниците со срцеви пејсмејкери се советуваат да се консултираат со своите лекари пред да го користат овој производ.
16. Не ставајте го уредот на или во близина на шпорет на плин.
17. Не ставајте никакви запаливи предмети како хартија, ткаенина или други такви предмети под уредот. Тоа може да предизвика опасност од пожар.
18. Не ставајте го уредот на крпа или тепих итн. Тоа може да го блокира отворот за воздух и да биде опасно за уредот и за корисникот.
19. Избегнувајте да ја удирате плочата на уредот бидејќи може да пукне или да го скрши уредот. Во случај да забележите пукнатини на површината на плочата за готвење, исклучете го уредот и веднаш извадете го кабелот од штекерот и контактирајте со сервисните центри.
20. Не допирајте ја контролната табла со остри предмети.

ТЕХНОЛОГИЈА НА ИНДУКЦИЈА

Кога приклучокот за напојување е вклучен, електричната струја ќе произведе магнетно поле во индукцискиот калем, кој е вграден во машината. Штом линиите на магнетната сила во магнетното поле ќе го допрат тенџерето/бојлерот од легиран челик, тоа ќе произведе ефект на загревање, кој потоа ги загрева состојките во тенџерето.



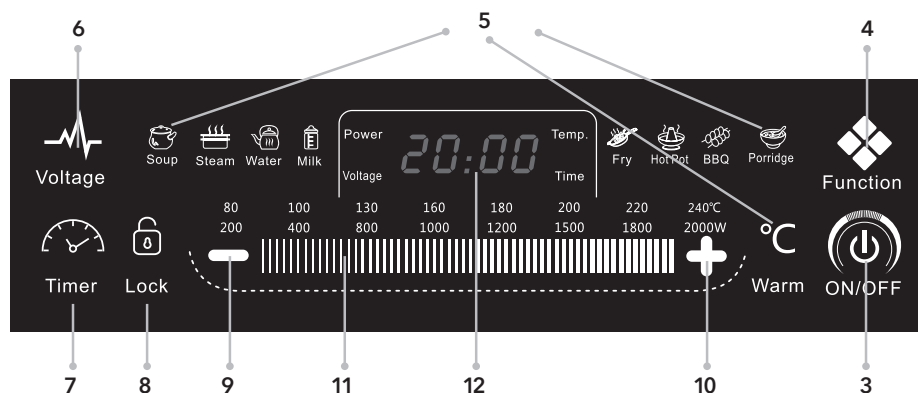
ТЕХНИЧКИ СПЕЦИФИКАЦИИ

Модел	IC400B
Моќност	2000W
Електрика	220-240V~, 50Hz-60Hz
Температурен опсег	80°C-240°C
Мерна единица	290x370x41mm
N.W	2.1 kg

ИДЕНТИФИКАЦИЈА НА ДЕЛОВИ



1. Црна кристална плоча
2. Област на загревање
3. On/Off Копчиња
4. Копче за функции
5. Кодови за готвење
6. Волтажа/ Копче за потрошувачка на енергија
7. Тајмер/ Копче за претходно нагодување
8. Копче за заклучување
9. Копче за намалување
10. Копче за зголемување
11. Копче на лизгање
12. LED екран



ИНСТРУКЦИИ ЗА РАКУВАЊЕ СО ПРОИЗВОДОТ

Основно ракување

- Вметнете го приклучокот во приклучокот за наизменична струја 220-240V,50/60Hz, на екранот ќе се прикаже „----“
- Ставете го приборот за готвење компатибилен со индукција во центарот на плочата за готвење.
- Притиснете го копчето ON/OFF за да го вклучите уредот. На екранот ќе се прикаже „ON“, потоа притиснете го копчето за функција.
- За да го исклучите уредот, повторно притиснете го копчето ON/OFF.
- Извадете го приклучокот од штекерот ако уредот нема да се користи долго време.

Режими на готвење

Жешка плоча

- Притиснете го копчето [Function] и индикаторот за топла тава ќе светне. На екранот ќе се прикаже стандардната моќност од 2000W.
- Напојувањето може да се прилагоди со копчињата [+] и [-] или со лизгачка лента во опсег од 200W,400W, 800W, 1000W, 1200W, 1500W, 1800W и 2000W.
- Откако ќе заврши готвењето, притиснете го копчето [ON/OFF] за да го исклучите уредот.
- Уредот автоматски ќе се исклучи по 2 часа ако не се притисне друго функциско копче.
- Тајмерот може да се постави 4 часа во овој режим.

BBQ

- Притиснете го копчето [Function] и индикаторот BBQ ќе светне. На екранот ќе се прикаже стандардната температура од 220°C.
- Температурата може да се прилагоди со копчињата [+] и [-] или со лизгачка лента во опсег од 80°C,100°C,130°C,160°C,180°C, 200°C, 220°C, 240°C.
- Откако ќе заврши готвењето, притиснете го копчето [ON/OFF] за да го исклучите уредот.
- Уредот автоматски ќе се исклучи по 2 часа ако не се притисне друго функциско копче.
- Тајмерот може да се постави 4 часа во овој режим.

Пржење

- Притиснете го копчето [Function] и индикаторот за пржење ќе светне. Екранот ќе ја прикаже стандардната температура од 240°C.
- Температурата може да се прилагоди со копчињата [+] и [-] или со лизгачка лента во опсег од 80°C,100°C,130°C,160°C,180°C,200°C,220°C,240°C.
- Откако ќе заврши готвењето, притиснете го копчето [ON/OFF] за да го исклучите уредот.
- Уредот автоматски ќе се исклучи по 2 часа ако не се притисне друго функциско копче.
- Тајмерот може да се постави 4 часа во овој режим.

Каши

- Притиснете го копчето [Function] и индикаторот за Каши ќе светне. На екранот ќе се прикаже стандардната моќност од 1200 W. По 15 минути

загревање, моќноста автоматски ќе се претвори на 800 W.

- Режимот не може да се прилагоди.
- Откако ќе заврши готвењето, притиснете го копчето [ON/OFF] за да го исклучите уредот.
- Уредот автоматски ќе се исклучи по 1 час ако не се притисне друго функциско копче.
- Претходно поставеното време може да се постави 24 часа однапред.

Супи

- Притиснете го копчето [Function] и индикаторот за Супи ќе светне. На екранот ќе се прикаже стандардната моќност од 1200 W. По 15 минути загревање, моќноста автоматски ќе се претвори на 800 W.
- Режимот не може да се прилагоди.
- Откако ќе заврши готвењето, притиснете го копчето [ON/OFF] за да го исклучите уредот.
- Уредот автоматски ќе се исклучи по 2 часа ако не се притисне друго функциско копче.
- Претходно поставеното време може да се постави 24 часа однапред.

Пареа

- Притиснете го копчето [Function] и индикаторот за пареа ќе светне. На екранот ќе се прикаже стандардната моќност од 1200 W. По 15 минути загревање, моќноста автоматски ќе се претвори на 800 W.
- Режимот не може да се прилагоди.
- Откако ќе заврши готвењето, притиснете го копчето [ON/OFF] за да го исклучите уредот.
- Уредот автоматски ќе се исклучи по 2 часа ако не се притисне друго функциско копче.
- Претходно поставеното време може да се постави 24 часа однапред.

Вода

- Притиснете го копчето [Function] и индикаторот за вода ќе светне. На екранот ќе се прикаже стандардната моќност од 2000W.
- Режимот не може да се прилагоди.
- Откако ќе заврши готвењето, притиснете го копчето [ON/OFF] за да го исклучите уредот.

- Уредот автоматски ќе се исклучи по 20 минути ако не се притисне друго функциско копче.
- Претходно поставеното време може да се постави 24 часа однапред.

Млеко

- Притиснете го копчето [Function] и индикаторот за Млеко ќе светне. Екранот ќе ја прикаже стандардната температура од 800W.
- Режимот не може да се прилагоди.
- Откако ќе заврши готвењето, притиснете го копчето [ON/OFF] за да го исклучите уредот.
- Уредот автоматски ќе се исклучи по 20 минути ако не се притисне друго функциско копче.
- Претходно поставеното време може да се постави 24 часа однапред.

Загревање

- Притиснете го копчето [Топло] и индикаторот за загревање ќе светне. На екранот ќе се прикаже стандардната температура од 80°C.
- Режимот не може да се прилагоди.
- Откако ќе заврши готвењето, притиснете го копчето [ON/OFF] за да го исклучите уредот.
- Уредот автоматски ќе се исклучи по 2 часа ако не се притисне друго функциско копче.
- Претходно поставеното време може да се постави 24 часа однапред.

Тајмер

- Оваа функција е применлива само за режимите за готвење [Fry], [Hot Pot] и [BBQ].
- Прво изберете го сакаиот режим на готвење, а потоа притиснете го копчето [Timer/Preset]. LED дисплејот ќе трепка [0:00].
 - Притиснете ги копчињата [+] или [-] или Лизгачката лента за да го поставите тајмерот од [0:01] минута до [4:00] часа.
 - Притиснете и задржете ги копчињата [+] или [-] за брзо прилагодување на времето.
 - Откако ќе се постави претпочитаното време, не притискајте ниту едно копче. LED дисплејот ќе трепка неколку пати и тајмерот сега е активиран и ќе почне да одбројува.
 - Штом ќе заврши поставеното време, индукцискиот

шпорет автоматски ќе се исклучи.

- Со притискање на кое било копче за режими на готвење или копчето [Timer/Preset] или [ON/OFF] ќе излезете од режимот на тајмер.

Однапред поставено

- Оваа функција е применлива само за режимите за готвење [Каша], [Пареа], [Супа], [Вода], [Млеко] и [Топло].
- Прво изберете го сакаиот режим на готвење, а потоа притиснете го копчето [Timer/Preset]. LED дисплејот ќе трепка [0:00].
- Притиснете ги копчињата [+] или [-] или Лизгачката лента за да го поставите претходно поставеното време од [0:01] минута до [24:00] часа. Притиснете и задржете ги копчињата [+] или [-] за брзо прилагодување на времето.
- Откако ќе се постави претпочитаното време, не притискајте ниту едно копче. LED дисплејот ќе трепка неколку пати и тајмерот сега е активиран и ќе почне да одбројува.
- Штом ќе заврши претходно поставеното време, избраниот режим на готвење ќе се активира и индукцискиот шпорет ќе почне да се загрева.
- Со притискање на кое било копче за режими на готвење или копчето [Timer/Preset] или [ON/OFF] ќе излезете од претходно поставениот режим.

Заклучување

- Притиснете и задржете го копчето [LOCK] 3 секунди за да го заклучите уредот. Индикаторот за [Lock] ќе светне.
- Сите копчиња се деактивираат за време на режимот за заклучување.
- За да излезете од режимот за заклучување, притиснете и задржете го копчето [LOCK] 3 секунди.

Напон

- Притиснете го копчето [Voltage] двапати, на екранот ќе се прикаже Локалниот напон.
- Притиснете го копчето [Voltage] еднаш, на екранот ќе се прикаже Потрошувачка на енергија.
- За да го откажете овој режим, притиснете ги другите копчиња или копчето [On/Off].

ИЗБОР НА САДОВИ ЗА ГОТВЕЊЕ

1. Потребен материјал: Ве молиме користете само индукциски компатибилни садови за готвење направени од челик, леано железо, емајлирано железо, не рѓосувачки челик, тави/тенџериња со рамно дно со дијаметар од 12 до 26 см
2. Тавите/тенџерињата/Приборот треба да имаат рамна површина. Не обидувајте се да користите друг вид на прибор или садови (особено садови со сензор за притисок)



3. Додека го купувате вашиот сад за готвење, барајте знак или формулација „Компатибилен со индукција“ за да се уверите дека ќе работи со оваа плоча за готвење.

ОДРЖУВАЊЕ И ДНЕВНА ГРИЖА

1. Чувајте го уредот постојано чист. Избегнувајте да навлегува нечистотија во вентилаторот или други внатрешни делови на Уредот.
2. Пред да започнете со чистење на уредот, проверете дали уредот е исклучен и извадете го приклучокот за напојување од штекерот. Не чистете го уредот додека површината не се излади.
3. Отстранете ги маснотиите, нечистотијата, дамките итн. со чистење на уредот со чиста мека крпа и благ детергент.
4. Вентилаторот во отворот за воздух на Уредот е поврзан да се заглави на него нечистотијата. Редовно отстранувајте ја со мека четка или памук.
5. Не потопувајте го уредот или кабелот за напојување директно во вода или која било друга течност за да го исчистите. Тоа ќе го оштети апаратот. За да го заштитите уредот од секаков вид наплив на струја, проверете дали приклучокот е правилно вклопен во штекерот.
6. Не вадете го кабелот за напојување директно за време на работата. За да го продолжите работниот век на апаратот, прво притиснете го копчето „On/Off“, а потоа исклучете го кабелот за напојување од штекерот.
7. Вентилаторот ќе работи за да ја лади грејната плоча дури и откако ќе се исклучи уредот. Подобрно е да го извадите приклучокот откако вентилаторот ќе престане да работи.
8. Кога не го користите уредот долго време, извадете го приклучокот од штекерот.
9. Некои модели ќе имаат структурен дизајн за да спречат лебарки да влезат во уредот. Доколку е потребно, можете да користите нафталин или еквивалентно средство за одбивање лебарки за да го заштитите уредот.

РЕШАВАЊЕ ПРОБЛЕМИ

За време на користење, ако има грешка, проверете ја следнава табела за вообичаени опции за решавање проблеми пред да повикате сервис. Подолу се вообичаените грешки и проверките што треба да се извршат

МОЖНО ГРЕШНО СЦЕНАРИО	ТОЧКИ ЗА ПРОВЕРКА	РЕШЕНИЕ
Се појавуваат шифри за грешка E0	Без употреба на садови или некомпатибилни садови за готвење	Ве Молиме Проверете Дали Садот За Готвење Е Индукциски Компатибилен Или Не
Се појавуваат шифри за грешка E1	Низок напон	Ве молиме проверете напон>88V, 220V~240V е совршен
Се појавуваат шифри за грешка E2	Висок напон	Ве молиме проверете напон,280V, 220V~240V е совршен
Се појавуваат шифри за грешка E3	Прегревање или краток спој на сензорот на горната плоча	Почнете повторно откако температурата ќе се олади. Во спротивно, ве молиме вратете го шпоретот во сервисен центар за проверка и поправка
Се појавуваат шифри за грешка E4	Сензор на горната плоча Отворено коло или нема поврзување	Ве молиме контактирајте го сервисниот центар за проверка и поправка
Се појавуваат шифри за грешка E5	Прегревање или краток спој или вентилатор на IGBT сензор без поврзување	Ве молиме контактирајте го сервисниот центар за проверка и поправка
Се појавуваат шифри за грешка E6	Отворено коло на IGBT сензор	Ве молиме контактирајте го сервисниот центар за проверка и поправка

Правилно отстранување на овој производ



Ова означување покажува дека овој производ не треба да се фрла со други отпадоци за домаќинство низ цела ЕУ. За да спречите евентуална штета врз животната средина или здравјето на луѓето од неконтролирано отстранување на отпадот, рециклирајте го одговорно за да промовирате одржлива повторна употреба на материјалните ресурси. За да го вратите користениот уред, користете ги системите за враќање и собирање или контактирајте со продавачот на мало каде што е купен производот, тие можат да го земат овој производ за безбедно рециклирање во животната средина.

Nu mai pentru uz casnic.

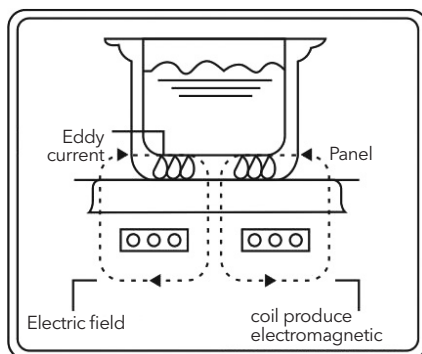
Citiți cu atenție acest manual de instrucțiuni înainte de utilizare.

INSTRUCȚIUNI IMPORTANTE DE SIGURANȚĂ

1. Nu așezați unitatea lângă foc sau gaz sau orice mediu fierbinte pentru a evita deteriorarea sau funcționarea defectuoasă.
2. Pentru a reduce riscul și deteriorarea, ștecherul trebuie să fie introdus într-o priză individuală, iar curentul electric nominal nu trebuie să fie mai mic de 16A.
3. Așezați unitatea pe o suprafață plană și uscată. Asigurați-vă că există o zonă liberă de cel puțin 10 cm în jurul unității pe toate părțile.
4. Nu scufundați aparatul sau cablul electric în apă sau în orice alt lichid.
5. Nu lăsați niciun lichid să pătrundă în dulapul unității. Acest lucru va deteriora piesele electrice interioare.
6. Asigurați-vă că ați scos cablul de alimentare din priză înainte de curățare.
7. Nu acoperiți orificiul de ventilație în timpul gătitului.
8. Înainte de a încălzi orice mâncare din conserve, vă rugăm să desfaceți capacul acesteia.
9. Nu așezați accesorii metalice precum lingură, oală etc. pe plită în timp ce gătiți, pentru a evita încălzirea. Este recomandabil să păstrați chiar și obiectele nemetalice la cel puțin 10 cm distanță de unitate în timpul utilizării.
10. Nu gătiți cu oala goală. Poate cauza defectuni sau poate reprezenta un pericol.
11. Dacă cablul de alimentare este deteriorat, asigurați-vă că îl înlocuiți numai cu un cablu recomandat de producător.
12. Dacă unitatea nu funcționează din anumite motive, chiar și după depanarea de bază de către dvs., vă rugăm să contactați imediat punctele noastre de service. Nu încercați să deschideți unitatea singur, deoarece poate fi periculos.
13. Curățați întotdeauna unitatea pentru a evita pătrunderea murdăriei în ventilator. Acest lucru îi va afecta funcționarea normală.
14. Nu atingeți placa în timp ce unitatea funcționează, poate provoca arsuri.
15. Utilizatorii cu stimulatoare cardiace sunt sfătuiți să-și consulte medicul înainte de a utiliza acest produs.
16. Nu așezați unitatea pe sau lângă o sobă cu gaz.
17. Nu așezați niciun articol inflamabil, cum ar fi hârtie, pânză sau alte asemenea articole sub unitate. Poate cauza pericol de incendiu.
18. Nu așezați unitatea pe o cârpă sau pe covor etc. Acest lucru poate bloca orificiul de ventilație și poate fi periculoasă pentru unitate și ventilator.
19. Evitați să loviți placa unității, deoarece se poate crăpa sau sparge unitatea. În cazul în care observați crăpături pe suprafața plitei, opriți unitatea și scoateți imediat cablul de la priza electrică și contactați centrele de service.
20. Nu atingeți panoul de control cu obiecte ascuțite.

TEHNOLOGIA DE INDUCȚIE

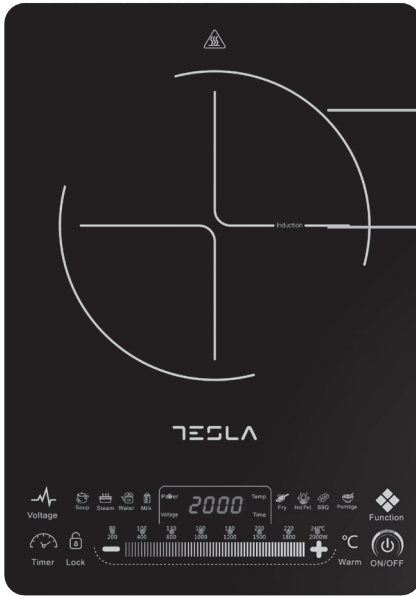
Când conexiunea de alimentare este PORNITĂ, curentul electric va produce un câmp magnetic în bobina de inducție, care este încorporată în mașină. De îndată ce liniile de forță magnetică din câmpul magnetic ating oala/boilerul din aliaj de oțel, va produce un efect de încălzire, care apoi încălzește alimentele din cratiță sau oală.



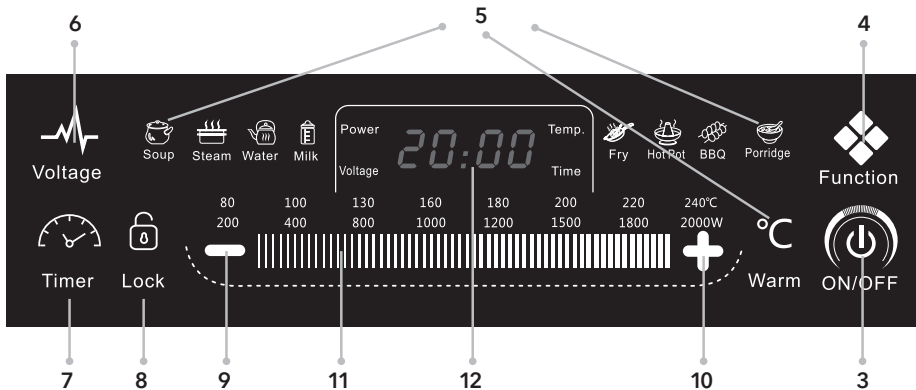
SPECIFICAȚII TEHNICE

Model	IC400B
Putere	2000W
Electric	220-240V~, 50Hz-60Hz
Interval de temperatură	80°C-240°C
Dimensiunea unității	290x370x41mm
N.W	2.1 kg

IDENTIFICAREA PIESELOR



1. placă cristal neagra
2. zonă de încălzire
3. buton pornit/oprit
4. buton funcție
5. coduri gătit
6. voltaj/buton consum energie
7. temporizator/ buton presetare
8. buton blocare
9. buton scădere
10. buton creștere
11. buton glisant
12. afișaj LED



INSTRUCȚIUNI DE FUNCȚIONARE ALE PRODUSULUI

Funcționare principală

- Introduceți ștecherul în priză AC 220-240V, 50/60Hz, afișajul va afișa „----”
- Așezați ustensile de gătit compatibile cu inducția în centrul plitei de gătit.
- Apăsăți butonul ON/OFF pentru a porni unitatea. Afișajul va afișa „ON”, apoi apăsăți butonul Funcție, Hot Pot 2000W implicit va selecta automat diferite coduri de gătit, setări și ajustări.
- Pentru a opri unitatea, apăsăți din nou butonul ON/OFF.
- Scoateți ștecherul din priză dacă unitatea nu va fi folosită o perioadă lungă de timp.

Moduri de gătit

Hot Pot

- Apăsăți butonul [Funcție] și indicatorul hot pot se va aprinde. Afișajul va afișa puterea implicită de 2000W.
- Puterea poate fi reglată prin butoanele [+] și [-] sau bara glisantă în intervalul de 200W, 400W, 800W, 1000W, 1200W, 1500W, 1800W și 2000W.
- Odată ce gătitura este terminată, apăsăți butonul [ON/OFF] pentru a opri unitatea.
- Unitatea se va opri automat după 2 ore dacă nu este apăsat niciun alt buton de funcție.
- Cronometrul poate fi setat pentru 4 ore în acest mod.

BBQ

- Apăsăți butonul [Funcție] și indicatorul BBQ se va aprinde. Afișajul va afișa temperatura implicită de 220°C.
- Temperatura poate fi ajustată prin butoanele [+] și [-] sau cu bara glisantă în intervalul 80°C, 100°C, 130°C, 160°C, 180°C, 200°C, 220°C, 240°C.
- Când ați terminat de gătit, apăsăți butonul [ON/OFF] pentru a opri unitatea.
- Unitatea se va opri automat după 2 ore dacă nu este apăsat niciun alt buton de funcție.
- Cronometrul poate fi setat pentru 4 ore în acest mod.

Fry

- Apăsăți butonul [Funcție] și indicatorul fry se va aprinde. Afișajul va afișa temperatura implicită de 240°C.
- Temperatura poate fi ajustată prin butoanele [+] și [-] sau cu bara glisantă în intervalul 80°C, 100°C, 130°C, 160°C, 180°C, 200°C, 220°C, 240°C.
- Când ați terminat de gătit, apăsăți butonul [ON/OFF] pentru a opri unitatea.
- Unitatea se va opri automat după 2 ore dacă nu este apăsat niciun alt buton de funcție.
- Cronometrul poate fi setat pentru 4 ore în acest mod.

Porridge

- Apăsăți butonul [Funcție] și indicatorul Porridge se va aprinde. Afișajul va afișa puterea implicită de 1200W. După 15 minute de încălzire, puterea va trece automat la 800 W.
- Modul nu poate fi reglat.
- Când ați terminat de gătit, apăsăți butonul [ON/OFF] pentru a opri unitatea.
- Unitatea se va opri automat după 1 oră dacă nu este

apăsat niciun alt buton de funcție.

- Ora prestabilită poate fi setată cu 24 de ore în avans.

Soup

- Apăsăți butonul [Funcție] și indicatorul Soup se va aprinde. Afișajul va afișa puterea implicită de 1200 W. După 15 minute de încălzire, puterea va trece automat la 800 W.
- Modul nu poate fi reglat.
- Când ați terminat de gătit, apăsăți butonul [ON/OFF] pentru a opri unitatea.
- Unitatea se va opri automat după 2 ore dacă nu este apăsat niciun alt buton de funcție.
- Ora prestabilită poate fi setată cu 24 de ore în avans.

Steam

- Apăsăți butonul [Funcție] și indicatorul steam se va aprinde. Afișajul va afișa puterea implicită de 1200 W. După 15 minute de încălzire, puterea va trece automat la 800 W.
- Modul nu poate fi reglat.
- Când ați terminat de gătit, apăsăți butonul [ON/OFF] pentru a opri unitatea.
- Unitatea se va opri automat după 2 ore dacă nu este apăsat niciun alt buton de funcție.
- Ora prestabilită poate fi setată cu 24 de ore în avans.

Water

- Apăsăți butonul [Funcție] și indicatorul water se va aprinde. Afișajul va afișa puterea implicită de 2000W.
- Modul nu poate fi reglat.
- Când ați terminat de gătit, apăsăți butonul [ON/OFF] pentru a opri unitatea.
- Unitatea se va opri automat după 20 de minute dacă nu este apăsat niciun alt buton de funcție.
- Ora prestabilită poate fi setată cu 24 de ore în avans.

Milk

- Apăsăți butonul [Funcție] și indicatorul Milk se va aprinde. Afișajul va afișa temperatura implicită de 800W.
- Modul nu poate fi reglat.
- Când ați terminat de gătit, apăsăți butonul [ON/OFF] pentru a opri unitatea.
- Unitatea se va opri automat după 20 de minute dacă nu este apăsat niciun alt buton de funcție.
- Ora prestabilită poate fi setată cu 24 de ore în avans.

Warm

- Apăsați butonul [Warm] și indicatorul Warm se va aprinde. Afișajul va afișa temperatura implicită de 80°C.
- Modul nu poate fi reglat.
- Odată ce gătitura este terminată, apăsați butonul [ON/OFF] pentru a opri unitatea.
- Unitatea se va opri automat după 2 ore dacă nu este apăsat niciun alt buton de funcție.
- Ora prestabilită poate fi setată cu 24 de ore în avans.

Timer

Această funcție este aplicabilă numai modurilor de gătit [Fry], [Hot Pot] și [BBQ].

- Selectați mai întâi modul de gătit dorit, apoi apăsați butonul [Timer/Preset]. Afișajul LED va clipi [0:00].
- Apăsați butoanele [+] sau [-] sau bara glisantă pentru a seta temporizatorul de la [0:01] minute la [4:00] ore.
- Apăsați lung butoanele [+] sau [-] pentru o ajustare rapidă a timpului.
- Odată setată ora preferată, nu apăsați niciun buton. Afișajul LED va clipi de ori și temporizatorul este acum activat și va începe număratoarea inversă.
- După ce timpul setat este expirat, plita cu inducție se va opri automat.
- Apăsând orice buton pentru moduri de gătit sau butonul [Timer/Preset] sau [ON/OFF] va ieși din modul timer.

Preset

Această funcție este aplicabilă numai modurilor de gătit [Porridge], [Steam], [Soup], [Water], [Milk] și [Warm].

- Selectați mai întâi modul de gătit dorit, apoi apăsați butonul [Timer/Preset]. Afișajul LED va clipi [0:00].
- Apăsați butoanele [+] sau [-] sau bara glisantă pentru a seta timpul presetat de la [0:01] minute la [24:00] ore. Apăsați lung butoanele [+] sau [-] pentru o ajustare rapidă a timpului.
- După ce ați setat ora preferată, nu apăsați niciun buton. Afișajul LED va clipi, temporizatorul va fi activat și va începe număratoarea inversă.
- După ce timpul prestabilit a expirat, modul de gătit selectat va fi activat și aragazul cu inducție va începe să se încălzească.
- Apăsând orice buton pentru moduri de gătit sau butonul [Timer/Preset] sau [ON/OFF] va ieși din modul presetat.

Lock

- Apăsați și mențineți apăsat butonul [LOCK] timp de 3 secunde pentru a bloca unitatea. Indicatorul pentru [Lock] se va aprinde.
- Toate butoanele sunt dezactivate în modul de blocare.
- Pentru a ieși din modul Lock, apăsați și mențineți apăsat butonul [LOCK] timp de 3 secunde.

Voltage

- Apăsați tasta [Voltage] de două ori, afișajul va afișa voltajul local.
- Apăsați tasta [Voltage] o dată, afișajul va afișa consumul de energie.
- Pentru a anula acest mod, apăsați alte taste sau butonul [Pornit/Oprit].

SELECTAREA VASELOR DE GĂTIT

1. Material necesar: Vă rugăm să utilizați numai vase de gătit compatibile cu inducția, din oțel, fontă, fier emailat, oțel inoxidabil, tigăi/oale cu fund plat cu diametrul de la 12 la 26 cm.
2. Tigăile/Oalele/Ustensilele trebuie să aibă o suprafață plană. Nu încercați să utilizați niciun alt fel de ustensile sau vase (în special vase cu senzori de presiune).



3. Când cumpărați vase de gătit, căutați însemnul sau inscripția „Compatibil cu inducția” pentru a vă asigura că vor funcționa cu această plită.

ÎNTREȚINERE ȘI ÎNGRIJIRE ZILNICĂ

1. Păstrați unitatea curată tot timpul. Evitați pătrunderea murdăriei în ventilator sau în alte părți interioare ale unității.
2. Înainte de a începe să curățați unitatea, asigurați-vă că unitatea este oprită și scoateți ștecherul din priză. Nu curățați unitatea până când suprafața nu se răcește.
3. Îndepărtați grăsimea, murdăria, petele etc. curățând unitatea cu o cârpă moale și curată și detergent de vase.
4. Ventilatorul din orificiul de ventilație al unității se va bloca dacă se murdărește. Vă rugăm să îndepărtați murdăria în mod regulat cu o perie moale sau un bețișor de bumbac.
5. Nu scufundați unitatea sau cablul de alimentare direct în apă sau în orice alt lichid pentru a-l curăța. Acesta va deteriora unitatea. Pentru a proteja unitatea de orice tip de supratensiune, asigurați-vă că ștecherul este conectat corect la priză.

6. Nu trageți cablul de alimentare în timpul funcționării. Pentru a prelungi durata de viață a aparatului, apăsați mai întâi butonul „Pornit/Oprit”, apoi deconectați cablul de alimentare de la priză.
7. Ventilatorul va funcționa pentru a răci placa de încălzire chiar și după ce unitatea este oprită. Vă recomandăm să scoateți ștecherul după ce ventilatorul nu mai funcționează.
8. Când nu utilizați unitatea pentru o perioadă lungă de timp, scoateți ștecherul din priză.
9. Unele modele vor avea un design structural pentru a preveni pătrunderea gândacilor în interiorul unității. Dacă este necesar, puteți utiliza naftalină sau o substanță echivalentă pentru gândaci pentru a proteja unitatea.

PROBLEME DE DEPANARE ȘI SOLUȚII

În timpul funcționării, dacă există vreo eroare, vă rugăm să verificați următorul tabel pentru opțiuni comune de depanare înainte de a apela la service. Mai jos sunt erorile comune și verificările de efectuat.

SCENARIU ERORI	PUNCTE DE VERIFICAT	REMEDIU
Cod eroare E0	Fără vas de gătit sau sunt folosite vase de gătit incompatibile	Vă rugăm să verificați dacă vasele de gătit sunt compatibile cu inducția sau nu
Cod eroare E1	Voltaj redus	Vă rugăm să vă asigurați că tensiunea >88V, 220V~240V este perfectă.
Cod eroare E2	Voltaj mare	Vă rugăm să vă asigurați că tensiunea <280V, 220V~240V este perfectă
Cod eroare E3	Senzorul plăcii superioare este supraîncălzit sau scurtcircuit	Începeți din nou după ce temperatura a scăzut. Dacă nu, vă rugăm să returnați aragazul la centrul de service pentru verificare și reparare.
Cod eroare E4	Circuit deschis al senzorului plăcii superioare sau fără conectare	Vă rugăm să contactați centrul de service pentru verificare și reparații.
Cod eroare E5	Supraîncălzire senzor IGBT sau scurtcircuit sau ventilator fără conectare	Vă rugăm să contactați centrul de service pentru verificare și reparații.
Cod eroare E6	Scurtcircuit senzor IGBT	Vă rugăm să contactați centrul de service pentru verificare și reparații.

Eliminarea corectă a acestui produs:



Acest marcatj indică faptul că acest produs nu trebuie aruncat împreună cu alte deșeuri menajere în întreaga UE. Pentru a preveni posibilele daune aduse mediului sau sănătății umane prin eliminarea necontrolată a deșeurilor, reciclați-le în mod responsabil pentru a promova reutilizarea durabilă a resurselor materiale. Pentru a returna dispozitivul dvs. folosit, vă rugăm să utilizați sistemele de returnare și colectare sau contactați distribuitorul de la care a fost achiziționat produsul, acesta poate lua acest produs pentru reciclare sigură pentru mediul înconjurător.

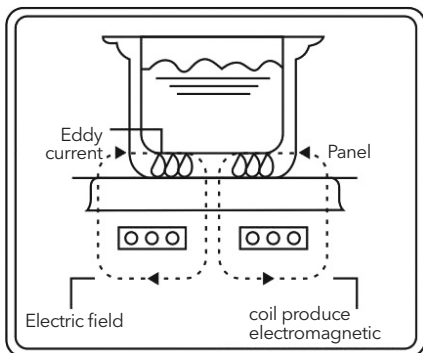
Samo za uporabo v gospodinjstvu.
Pred uporabo natančno preberite ta navodila.

POMEMBNA NAVODILA GLEDE VARNOSTI

1. Da preprečite poškodbe ali okvare, enote ne postavljajte v bližino ognja ali plina ali v kakršno koli vroče okolje.
2. Da zmanjšate tveganje in poškodbe, mora vtič ustrežati individualni vtičnici, nazivni električni tok pa ne sme biti manjši od 16 A.
3. Postavite enoto na ravno in suho površino. Poskrbite, da bo okrog nje na vseh straneh vsaj 10 cm praznega prostora.
4. Aparata ali električnega kabla ne smete potapljati v vodo ali katero koli drugo tekočino.
5. Pazite, da v omarico enote ne bo prišla voda. Pri tem bi se notranji električni deli lahko poškodovali.
6. Pred čiščenjem odklopite napajalni kabel iz vtičnice.
7. Med kuhanjem z ničimer ne pokrivajte prežračevalne odprtine.
8. Pred gretjem konzervirane hrane konzervo odprite.
9. Da preprečite pregrevanje, med kuhanjem na kuhalno ploščo ne polagajte nobenega kovinskega pribora, kot so žlice, zajemalke itd. Medtem ko je enota v uporabi, je celo nekovinske predmete priporočljivo hraniti vsaj 10 cm stran od nje.
10. S praznim loncem ne kuhajte. Lahko pride do okvare ali nevarnosti.
11. Če se napajalni kabel poškoduje, poskrbite, da ga boste zamenjali izključno s kablom, ki ga priporoča proizvajalec.
12. Če enota iz kakršnega koli razloga ne deluje niti potem, ko poskusite odpraviti osnovne težave, se takoj obrnite na naše servisne točke. Enote ne poskušajte odpreti sami, ker je to lahko nevarno.
13. Enoto redno čistite, da v ventilator ne bo prišla umazanija. To bi vplivalo na njeno normalno delovanje.
14. Med delovanjem enote se ne dotikajte plošče, ker bi se lahko opekli.
15. Uporabniki s srčnim spodbujevalnikom se morajo pred uporabo tega izdelka posvetovati s svojim zdravnikom.
16. Enote ne postavljajte na plinsko pečico ali v njeno bližino.
17. Pod enoto ne postavljajte nobenih vnetljivih predmetov, kot je papir, blago ali podobni predmeti. Lahko pride do požara ali nevarnosti.
18. Enote ne postavljajte na tkanino ali preprogo in podobno. Prežračevalna odprtina bi bila s tem blokirana, to pa bi predstavljalo nevarnost za enoto in uporabnika.
19. Ne udarjajte po plošči enote, saj lahko razpoka ali se zlomi. Če na površini kuhalne plošče opazite razpoke, takoj izklopite enoto in odklopite napajalni kabel iz električne vtičnice ter stopite v stik s servisnim centrom.
20. Nadzorne plošče se ne dotikajte z ostrimi predmeti.

TEHNOLOGIJA INDUKCIJE

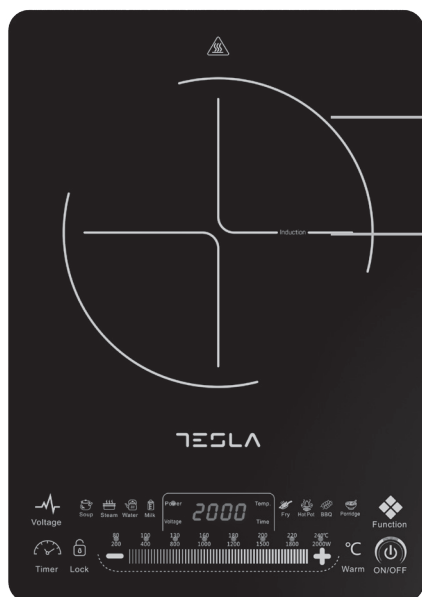
Ko je napajanje VKLOPLJENO, električni tok v indukcijski tuljavi, ki je vgrajena v aparat, ustvari magnetno polje. Takoj ko se magnetne silnice magnetnega polja dotaknejo posode iz jeklene zlitine/grelnika, pride do segrevanja živil v kozici ali loncu.



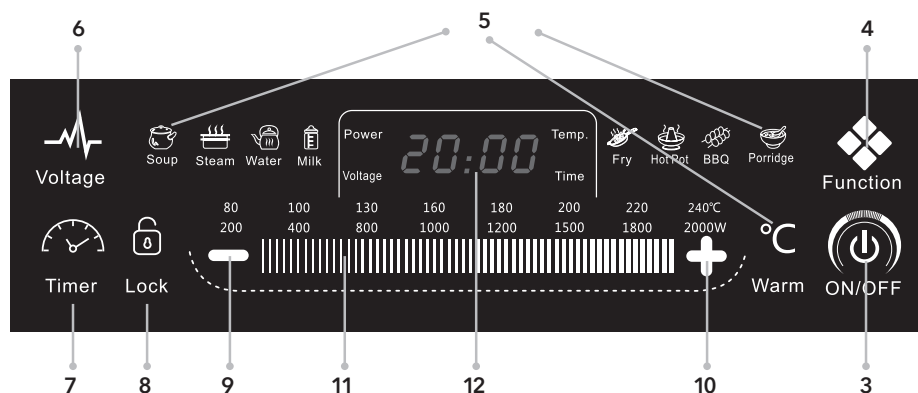
TEHNIČNE SPECIFIKACIJE

Model	IC400B
Moč	2000W
Električna napetost in frekvenca	220-240V~, 50Hz-60Hz
Temperaturni razpon	80°C-240°C
Velikost enote	290x370x41mm
Neto teža	2.1 kg

PREDSTAVITEV DELOV



1. Black Crystal Plate
2. Območje segrevanja
3. Gumb za vklop/izklop
4. Funkcijski gumb
5. Številke za kuhanje
6. Gumb za napetost/porabo energije
7. Timer/Preset Button
8. Gumb za zaklep
9. Gumb za zmanjšanje
10. Gumb za povečanje
11. Drsní gumb
12. Zaslón LED



NAVODILA ZA UPRAVLJANJE IZDELKA

Osnovno upravljanje

- Priklopite vtič v vtičnico AC 220–240 V, 50/60 Hz; na zaslonu se bo prikazal znak „----“.
- Kuhinjske posode, primerne za indukcijo, postavite na sredino kugalne plošče.
- Da vklopite enoto, pritisnite gumb za VKLOP/IZKLOP. Na zaslonu bo prikazan znak „ON“ (VKLOPLJENO); nato pritisnite funkcijski gumb. Pri privzeti možnosti Hot Pot 2000 W bodo samodejno izbrane različne številke kuhanja, nastavitve in prilagoditve.
- Za izklop enote znova pritisnite gumb za VKLOP/IZKLOP.
- Če enote dlje časa ne boste uporabljali, odklopite vtič iz vtičnice.

Načini kuhanja

Hot Pot (Vroča posoda)

- Pritisnite gumb [Function] (Funkcija) in indikator vroče posode bo zasvetil. Na zaslonu se bo prikazala privzeta moč 2000 W.
- Moč lahko prilagodite s gumboma [+] ali [-] ali drsnikom v razponu možnosti 200 W, 400 W, 800 W, 1000 W, 1200 W, 1500 W, 1800 W in 2000 W.
- Ko je kuhanje končano, pritisnite gumb [ON/OFF] (VKLOP/IZKLOP), da izklopite enoto.
- Če ne pritisnete nobenega drugega funkcijskega gumba, se bo enota samodejno izklopila po 2 urah.
- V tem načinu je mogoče časovnik nastaviti na 4 ure.

BBQ (Žar)

- Pritisnite gumb [Function] (Funkcija) in indikator za žar bo zasvetil. Na zaslonu se bo prikazala privzeta temperatura 220 °C.
- Temperaturo lahko nastavite z gumboma [+] in [-] ali drsnikom v razponu možnosti 80 °C, 100 °C, 130 °C, 160 °C, 180 °C, 200 °C, 220 °C, 240 °C.
- Ko je kuhanje končano, pritisnite gumb [ON/OFF] (VKLOP/IZKLOP), da izklopite enoto.
- Če ne pritisnete nobenega drugega funkcijskega gumba, se bo enota samodejno izklopila po 2 urah.
- V tem načinu je mogoče časovnik nastaviti na 4 ure.

Fry (Cvrenje)

- Pritisnite gumb [Function] (Funkcija) in indikator bo zasvetil. Na zaslonu se bo prikazala privzeta temperatura 240 °C.
- Temperaturo lahko nastavite z gumboma [+] in [-] ali drsnikom v razponu možnosti 80 °C, 100 °C, 130 °C, 160 °C, 180 °C, 200 °C, 220 °C, 240 °C.
- Ko je kuhanje končano, pritisnite gumb [ON/OFF] (VKLOP/IZKLOP), da izklopite enoto.
- Če ne pritisnete nobenega drugega funkcijskega gumba, se bo enota samodejno izklopila po 2 urah. – V tem načinu je mogoče časovnik nastaviti na 4 ure.

Porridge (Kuhanje kaše)

- Pritisnite gumb [Function] (Funkcija) in indikator za kuhanje kaše bo zasvetil. Na zaslonu se bo prikazala privzeta moč 1200 W. Po 15 minutah segrevanja se bo moč samodejno preklpila na 800 W.
- Načina ni mogoče prilagoditi.
- Ko je kuhanje končano, pritisnite gumb [ON/OFF]

(VKLOP/IZKLOP), da izklopite enoto.

- Če ne pritisnete nobenega drugega funkcijskega gumba, se bo enota samodejno izklopila po 1 urah.
- Prednastavljeni čas je mogoče nastaviti 24 ur prej.

Soup (Juha)

- Pritisnite gumb [Function] (Funkcija) in indikator za juho bo zasvetil. Na zaslonu se bo prikazala privzeta moč 1200 W. Po 15 minutah segrevanja se bo moč samodejno preklpila na 800 W.
- Načina ni mogoče prilagoditi.
- Ko je kuhanje končano, pritisnite gumb [ON/OFF] (VKLOP/IZKLOP), da izklopite enoto.
- Če ne pritisnete nobenega drugega funkcijskega gumba, se bo enota samodejno izklopila po 2 urah.
- Prednastavljeni čas je mogoče nastaviti 24 ur prej.

Steam (Kuhanje na pari)

- Pritisnite gumb [Function] (Funkcija) in indikator za kuhanje na pari bo zasvetil. Na zaslonu se bo prikazala privzeta moč 1200 W. Po 15 minutah segrevanja se bo moč samodejno preklpila na 800 W.
- Načina ni mogoče prilagoditi.
- Ko je kuhanje končano, pritisnite gumb [ON/OFF] (VKLOP/IZKLOP), da izklopite enoto.
- Če ne pritisnete nobenega drugega funkcijskega gumba, se bo enota samodejno izklopila po 2 urah.
- Prednastavljeni čas je mogoče nastaviti 24 ur prej.

Water (Voda)

- Pritisnite gumb [Function] (Funkcija) in indikator za vodo bo zasvetil. Na zaslonu se bo prikazala privzeta moč 2000 W.
- Načina ni mogoče prilagoditi.
- Ko je kuhanje končano, pritisnite gumb [ON/OFF] (VKLOP/IZKLOP), da izklopite enoto.
- Če ne pritisnete nobenega drugega funkcijskega gumba, se bo enota samodejno izklopila po 20 minutah.
- Prednastavljeni čas je mogoče nastaviti 24 ur prej.

Milk (Mleko)

- Pritisnite gumb [Function] (Funkcija) in indikator za mleko bo zasvetil. Na zaslonu se bo prikazala privzeta moč 800 W.
- Načina ni mogoče prilagoditi.
- Ko je kuhanje končano, pritisnite gumb [ON/OFF]

(VKLOP/IZKLOP), da izklopite enoto.

- Če ne pritisnete nobenega drugega funkcijskega gumba, se bo enota samodejno izklopila po 20 minutah. - Prednastavljeni čas je mogoče nastaviti 24 ur prej.

Warm (Ohranjanje toplote)

- Pritisnite gumb [Warm] (Ohranjanje toplote) in indikator za ohranjanje toplote bo zasvetil. Na zaslonu se bo prikazala privzeta temperatura 80 °C.
- Načina ni mogoče prilagoditi.
- Ko je kuhanje končano, pritisnite gumb [ON/OFF] (VKLOP/IZKLOP), da izklopite enoto.
- Če ne pritisnete nobenega drugega funkcijskega gumba, se bo enota samodejno izklopila po 2 urah.
- Prednastavljeni čas je mogoče nastaviti 24 ur prej.

Časovnik

To funkcijo je mogoče uporabiti le pri načinih kuhanja [Fry] (Cvrenje), [Hot Pot] (Vroča posoda) in [BBQ] (Žar).

- Najprej izberite zeleni način kuhanja, nato pa pritisnite gumb [Timer/Preset] (Časovnik/Prednastavitev). Na zaslonu LED bo utripalo [0:00].
- Pritisnite gumb [+] ali [-] ali drsnik, da nastavite časovnik od [0:01] minute do [4:00] ur.
- Za hitro nastavitev časa pritisnite gumb [+] ali [-] in ga pridržite.
- Ko je zeleni čas nastavljen, gumbov ne pritiskajte več. Zaslon LED bo nekajkrat utripnil; časovnik je zdaj aktiviran in bo začel odštevati.
- Ko nastavljeni čas poteče, se bo indukcijski kuhalnik samodejno izklopil.
- S pritiskom katerega koli gumba za način kuhanja [Timer/Preset] (Časovnik/Prednastavitev) ali [ON/OFF] (VKLOP/IZKLOP) dosežete izhod iz načina časovnika.

Preset (Prednastavitev)

To funkcijo lahko uporabite le pri načinih kuhanja [Porridge] (Kuhanje kaše), [Steam] (Kuhanje na pari), [Soup] (Juha), [Water] (Voda), [Milk] (Mleko) in [Warm] (Ohranjanje toplote).

- Najprej izberite zeleni način kuhanja, nato pa pritisnite gumb [Timer/Preset] (Časovnik/Prednastavitev). Na zaslonu LED bo utripalo [0:00].
- Pritisnite gumb [+] ali [-] ali drsnik, da predhodno nastavite čas od [0:01] minute do [4:00] ur. Za hitro nastavitev časa pritisnite gumb [+] ali [-] in ga pridržite.
- Ko je zeleni čas nastavljen, gumbov ne pritiskajte več. Zaslon LED bo nekajkrat utripnil; časovnik je zdaj aktiviran in bo začel odštevati.
- Ko predhodno nastavljeni čas poteče, bo aktiviran izbrani način kuhanja, indukcijski kuhalnik pa se bo začel segreti.
- S pritiskom katerega koli gumba za način kuhanja [Timer/Preset] (Preset (Prednastavitev/Prednastavitev) ali [ON/OFF] (VKLOP/IZKLOP) dosežete izhod iz načina prednastavitve.

Lock (Zaklep)

- Da zaklenete enoto, pritisnite gumb [LOCK] (Zaklep) in ga držite 3 sekunde. Zasvetil bo indikator [Lock] (Zaklep).
- V načinu zaklepa so vsi gumbi deaktivirani.
- Za izhod iz načina zaklepa pritisnite gumb [LOCK] in ga držite 3 sekunde.
- Voltage (Napetost)
- Dvakrat pritisnite tipko [Voltage] (Napetost); na zaslonu bo prikazana lokalna napetost.
- Enkrat pritisnite tipko [Voltage] (Napetost); na zaslonu bo prikazana poraba energije. - Za preklic tega načina pritisnite druge tipke ali gumb [On/Off] (Vklop/izklop).

IZBIRA POSODE ZA KUHANJE

1. Zahtevani material: uporabljajte le posodo za kuhanje, ki je primerna za indukcijo in izdelana iz jekla, litega in emajliranega železa ter nerjavnega železa, s ploskim dnom in premerom od 12 do 26 cm.
2. Dno kozic/loncev/posode mora biti plosko. Ne uporabljajte nobene druge posode (še zlasti ne posod za kuhanje pod pritiskom).



3. Da bo kuhinjska posoda primerna za to kuhalno ploščo, ob nakupu iščite znak za združljivost z indukcijo ali besedno zvezo „Induction Compatible“ (Združljivo z indukcijo).

VZDRŽEVANJE IN VSAKODNEVNA NEGA

1. Enota naj bo vedno čista. Poskrbite, da umazanija ne bo prodrla do ventilatorja ali drugih notranjih delov enote.
2. Pred začetkom čiščenja enote se pripravite, da je napajanje izklopljeno, in odklopite vtič iz vtičnice. Enote ne čistite, dokler se površina ne ohladi.
3. Enoto čistite s čisto mehko krpo in blagim detergentom, da odstranite mast, umazanijo, madeže itd.
4. Na ventilatorju v prezračevalni odprtini enote se rada nabira umazanija. Redno jo odstranjujte z mehko krtačko ali vatirano paličico.
5. Enote ali napajalnega kabla pri čiščenju ne potaplajte neposredno v vodo ali katero koli drugo tekočino. S tem bi se enota poškodovala. Za zaščito enote pred kakršnim koli sunkom električnega napajanja poskrbite, da bo pravilno priklopljena v vtičnico.
6. Med delovanjem ne odklapljajte napajalnega kabla neposredno iz vtičnice. Da podaljšate življenjsko dobo aparata, najprej pritisnite gumb „On/Off“ (Vklop/izklop) in šele nato odklopite napajalni kabel iz vtičnice.
7. Ventilator bo hladil grelni ploščo tudi po izklopu napajanja enote. Vtič je bolje odklopiti šele potem, ko ventilator neha delovati.
8. Če enote dolgo ne boste uporabljali, odklopite vtič iz vtičnice.
9. Nekateri modeli so strukturno zasnovani tako, da preprečujejo vstop žuželk v enoto. Po potrebi lahko za zaščito enote uporabite sredstvo za odganjanje moljev ali podobno sredstvo.

ODPRAVLJANJE IN REŠEVANJE TEŽAV

Če med delovanjem pride do kakršne koli napake, pred klicem na servis preverite možnosti odpravljanja običajnih težav v naslednji preglednici. Spodaj so navedene običajne napake in preverjanja, ki jih morate izvesti.

SCENARIJ NAPAK	TOČKE PREVERJANJA	REŠITEV
Pojavi se številka napake E0	Ni posod za kuhanje ali pa so uporabljene nezdružljive posode za kuhanje.	Preverite, ali so posode za kuhanje združljive z indukcijo ali ne.
Pojavi se številka napake E1	Nizka napetost	Prepričajte se, da napetost znaša > 88 V, idealno je 220 V~240 V.
Pojavi se številka napake E2	Visoka napetost	Prepričajte se, da napetost znaša < 280 V, idealno je 220 V~240V.
Pojavi se številka napake E3	Pregrevanje ali kratek stik pri senzorju zgornje plošče.	Zaženite znova, ko temperatura pade. Če ne pade, vrnite kuhalnik v servisni center, da ga preverijo in popravijo.
Pojavi se številka napake E4	Odpri tokokrog senzorja zgornje plošče ali brez stika.	Za preverjanje in popravila se obrnite na servisni center.
Pojavi se številka napake E5	Pregrevanje ali kratek stik pri senzorju IGBT ali pa ventilator nima stika.	Za preverjanje in popravila se obrnite na servisni center.
Pojavi se številka napake E6	Odpri tokokrog senzorja IGBT	Za preverjanje in popravila se obrnite na servisni center.

Pravilno odstranjevanje tega izdelka:



Ta oznaka kaže, da tega izdelka nikjer v Evropski uniji ni dovoljeno odlagati skupaj z drugimi gospodinjskimi odpadki. Za preprečitev morebitne škode za okolje ali zdravje ljudi, ki nastane zaradi nenadzorovanega odlaganja v okolju, izdelek odgovorno reciklirajte, da boste spodbujali trajnostno naravnano ponovno uporabo virov surovin. Uporabljeno napravo vrnite prek sistemov za vračanje in zbiranje ali pa se obrnite na prodajalca, pri katerem ste izdelek kupili; ta izdelek lahko prevzame in ga reciklira na način, ki je varen za okolje.

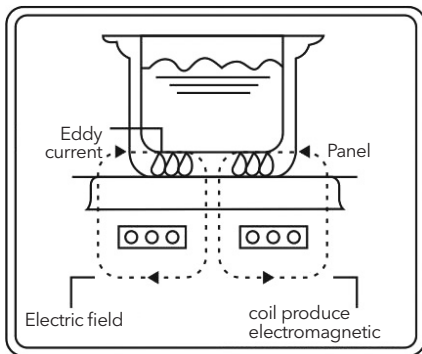
Samo za domaćinstvo.
Pre upotrebe pažljivo pročitajte uputstvo za upotrebu.

VAŽNA UPUTSTVA ZA BEZBEDNOST

1. Ne postavljajte jedinicu blizu vatre, gasa ili bilo kakvog vrućeg okruženja kako biste izbegli oštećenja ili kvar.
2. Da bi se smanjio rizik i oštećenje, utikač treba da bude postavljen u pojedinačnu utičnicu i nazivna električna struja ne bi trebalo da bude manja od 16A.
3. Postavite jedinicu na ravnu i suhu površinu. Uverite se da postoji minimalna slobodna površina od najmanje 10 cm koja okružuje jedinicu sa svih strana.
4. Ne uranjajte uređaj ili električni kabl u vodu ili bilo koju drugu tečnost.
5. Ne dozvolite da tečnost uđe u kućište jedinice. Ovo će oštetiti unutrašnje električne delove.
6. Uverite se da je kod za napajanje uklonjen iz utičnice pre čišćenja.
7. Ne pokrivajte otvor za vazduh ničim tokom kuvanja.
8. Pre zagrevanja bilo koje konzervisane hrane, otvorite poklopac.
9. Ne stavljajte metalne dodatke kao što su kašike, kutlače itd. na ploču za kuvanje tokom kuvanja kako biste izbegli zagrevanje. Preporučljivo je da čak i nemetalne predmete držite najmanje 10 cm od uređaja dok je u upotrebi.
10. Ne kuvajte u praznom loncu. To može prouzrokovati kvar ili predstavljati opasnost.
11. Ako se kabl za napajanje ošteti, molimo vas da ga zamenite samo kablom koji preporučuje proizvođač.
12. Ako jedinica iz nekog razloga ne radi čak i nakon što ste rešili osnovne probleme, molimo vas da odmah kontaktirate naše servisne tačke. Ne pokušavajte sami da otvorite jedinicu jer može biti opasno.
13. Uvek čistite jedinicu kako biste izbegli da prljavština uđe u ventilator. Ovo će uticati na njeno normalno funkcionisanje.
14. Ne dodirujte ploču dok jedinica radi, može izazvati opekotine.
15. Korisnicima sa srčanim pejsmejkerima se savetuje da se konsultuju sa svojim lekarom pre upotrebe ovog proizvoda.
16. Ne postavljajte jedinicu na ili blizu plinske peći.
17. Ne stavljajte nikakve zapaljive predmete poput papira, tkanine ili drugih sličnih predmeta ispod jedinice. To može izazvati opasnost od požara.
18. Ne postavljajte jedinicu na tkaninu ili tepih itd. Ovo može blokirati ventilacioni otvor i predstavljati opasnost za jedinicu i korisnika.
19. Izbegavajte da udarite ploču jedinice jer to može da napukne ili slomi jedinicu. U slučaju da uočite bilo kakve pukotine na površini ploče za kuvanje, isključite jedinicu i odmah izvucite kabl iz električne utičnice i kontaktirajte servisne centre.
20. Ne dodirujte kontrolnu tablu oštrim predmetima.

INDUKCIONA TEHNOLOGIJA

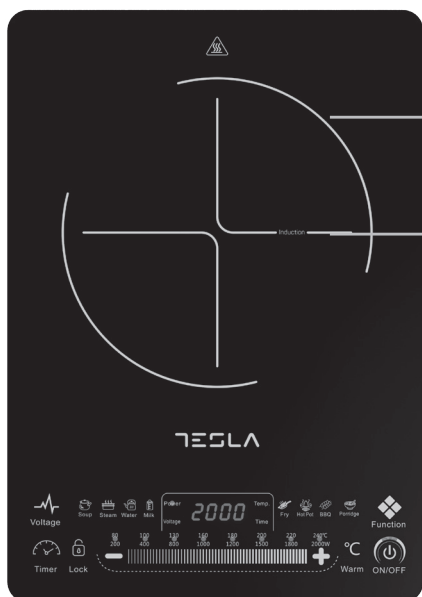
Kada je priključak za napajanje UKLJUČEN, električna struja će proizvesti magnetno polje u indukcionom kalemu, koje je ugrađeno u mašinu. Čim linije magnetne sile u magnetnom polju dodirnu lonac/kotao od legiranog čelika, proizvođaće efekat zagrevanja, koji zatim zagreva dobro u loncu ili loncu.



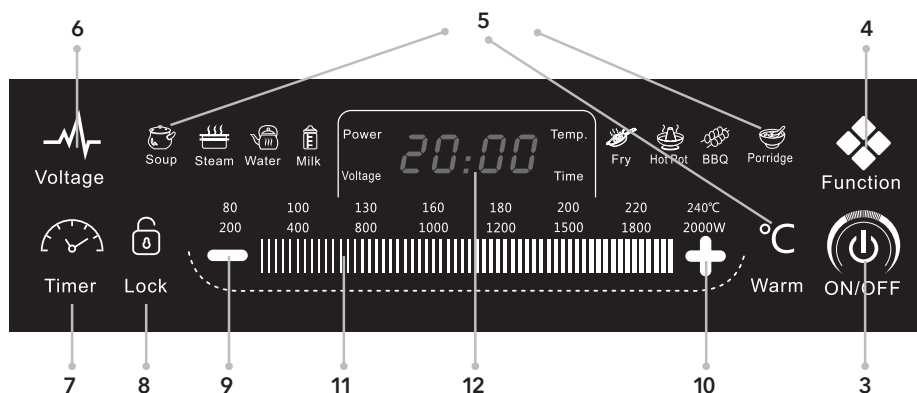
TEHNIČKA SPECIFIKACIJA

Model	IC400B
Snaga	2000W
Napon, Frekvencija	220-240V~, 50Hz-60Hz
Temperatura	80°C-240°C
Dimenzije uređaja	290x370x41mm
Neto težina	2.1 kg

IDENTIFIKACIJA DELOVA



1. Crna kristalna ploča
2. Grejna površina
3. Dugme za uključivanje/isključivanje
4. Funkcijsko dugme
5. Kodovi za kuvanje
6. Dugme za napon/potrošnja energije
7. Dugme za podešavanje vremena
8. Dugme za zaključavanje
9. Dugme za smanjenje
10. Dugme za povećanje
11. Klizno dugme
12. LED Display



UPUTSTVO ZA UPOTREBU PROIZVODA

Osnovni rad

- Utačnite utikač u AC 220-240V,50/60Hz utičnicu, na displeju će se prikazati "....."
- Postavite pribor za kuvanje kompatibilan sa indukcijom u centar ploče za kuvanje.
- Pritisnite dugme ON/OFF da biste uključili jedinicu. Na displeju će biti prikazano „UKLJUČENO“, a zatim pritisnite funkcijsko dugme, podrazumevani vrući lonac 2000W će automatski izabrati, različit kod kuvanja, podešavanja i podešavanja.
- Da biste isključili jedinicu, ponovo pritisnite dugme ON/OFF.
- Izvucite utikač iz utičnice ako se jedinica neće koristiti duže vreme.

Režimi kuvanja

Hot Pot

- Pritisnite dugme [Function] i indikator vrućeg lonca će se upaliti. Na ekranu će biti prikazana podrazumevana snaga od 2000W.
- Snaga se može podesiti pomoću dugmadi [+] i [-] ili kliznom trakom kroz opseg od 200W, 400W, 800W, 1000W, 1200W, 1500W, 1800W i 2000W.
- Kada se kuvanje završi, pritisnite dugme [ON/OFF] da biste isključili jedinicu.
- Jedinica će se automatski isključiti nakon 2 sata ako se ne pritisne nijedno drugo funkcijsko dugme.
- Tajmer se može podesiti na 4 sata u ovom režimu.

BBQ

- Pritisnite dugme [Function] i indikator roštilja će se upaliti. Na ekranu će biti prikazana podrazumevana temperatura od 220°C.
- Temperatura se može podesiti pomoću dugmadi [+] i [-] ili kliznom trakom kroz opseg od 80°C, 100°C, 130°C, 160°C, 180°C, 200°C, 220°C, 240°C.
- Kada se kuvanje završi, pritisnite dugme [ON/OFF] da biste isključili jedinicu.
- Jedinica će se automatski isključiti nakon 2 sata ako se ne pritisne nijedno drugo funkcijsko dugme.
- Tajmer se može podesiti na 4 sata u ovom režimu.

Pržiti

- Pritisnite dugme [Function] i indikator prženja će se upaliti. Displej će prikazati podrazumevanu temperaturu od 240°C.
- Temperatura se može podesiti pomoću dugmadi [+] i [-] ili kliznom trakom kroz opseg od 80 °C, 100 °C, 130 °C, 160 °C, 180 °C, 200 °C, 220 °C, 240 °C.
- Kada se kuvanje završi, pritisnite dugme [ON/OFF] da biste isključili jedinicu.
- Jedinica će se automatski isključiti nakon 2 sata ako se ne pritisne nijedno drugo funkcijsko dugme. - Tajmer se može podesiti na 4 sata u ovom režimu.

Kaša

- Pritisnite dugme [Function] i indikator kaše će se upaliti. Na ekranu će biti prikazana podrazumevana snaga od 1200W. Nakon 15 minuta zagrevanja, snaga će se automatski povećati na 800W.
- Režim se ne može podesiti.
- Kada se kuvanje završi, pritisnite dugme [ON/OFF] da biste isključili jedinicu.

- Jedinica će se automatski isključiti nakon 1 sata ako se ne pritisne nijedno drugo funkcijsko dugme.
- Unapred podešeno vreme može se podesiti za 24 sata unapred.

Supa

- Pritisnite dugme [Function] i indikator supe će se upaliti. Na ekranu će biti prikazana podrazumevana snaga od 1200W. Nakon 15 minuta zagrevanja, snaga će se automatski povećati na 800W.
- Režim se ne može podesiti.
- Kada se kuvanje završi, pritisnite dugme [ON/OFF] da biste isključili jedinicu.
- Jedinica će se automatski isključiti nakon 2 sata ako se ne pritisne nijedno drugo funkcijsko dugme.
- Unapred podešeno vreme može se podesiti za 24 sata unapred.

Steam

- Pritisnite dugme [Function] i indikator pare će se upaliti. Na ekranu će biti prikazana podrazumevana snaga od 1200W. Nakon 15 minuta zagrevanja, snaga će se automatski povećati na 800W.
- Režim se ne može podesiti.
- Kada se kuvanje završi, pritisnite dugme [ON/OFF] da biste isključili jedinicu.
- Jedinica će se automatski isključiti nakon 2 sata ako se ne pritisne nijedno drugo funkcijsko dugme.
- Unapred podešeno vreme može se podesiti za 24 sata unapred.

Voda

- Pritisnite dugme [Function] i indikator vode će se upaliti. Na ekranu će biti prikazana podrazumevana snaga od 2000W.
- Režim se ne može podesiti.
- Kada se kuvanje završi, pritisnite dugme [ON/OFF] da biste isključili jedinicu.
- Jedinica će se automatski isključiti nakon 20 minuta ako se ne pritisne nijedno drugo funkcijsko dugme.
- Unapred podešeno vreme može se podesiti za 24 sata unapred.

Mleko

- Pritisnite dugme [Function] i indikator mleka će se upaliti. Na ekranu će biti prikazana podrazumevana temperatura od 800W.

- Režim se ne može podesiti.
- Kada se kuvanje završi, pritisnite dugme [ON/OFF] da biste isključili jedinicu.
- Jedinica će se automatski isključiti nakon 20 minuta ako se ne pritisne nijedno drugo funkcijsko dugme. - Unapred podešeno vreme može se podesiti za 24 sata unapred.

Toplo

- Pritisnite dugme [Warm] i indikator zagrevanja će se upaliti. Na ekranu će biti prikazana podrazumevana temperatura od 80°C.
- Režim se ne može podesiti.
- Kada se kuvanje završi, pritisnite dugme [ON/OFF] da biste isključili jedinicu.
- Jedinica će se automatski isključiti nakon 2 sata ako se ne pritisne nijedno drugo funkcijsko dugme.
- Unapred podešeno vreme može se podesiti za 24 sata unapred.

Tajmer

Ova funkcija je primenljiva samo na režime kuvanja [Fry], [Hot Pot] i [BBQ].

- Prvo izaberite željeni režim kuvanja, a zatim pritisnite dugme [Timer/Preset]. LED ekran će treptati [0:00].
- Pritisnite dugme [+] ili [-] ili kliznu traku da podesite tajmer od [0:01] minuta do [4:00] sati.
- Pritisnite i držite dugmad [+] ili [-] za brzo podešavanje vremena.
- Kada je željeno vreme podešeno, nemojte pritiskati nijedno dugme. LED ekran će treptati vreme i tajmer je sada aktiviran i počće da odbrojava.
- Kada istekne podešeno vreme, indukcioni šporet će se automatski isključiti.
- Pritiskom na bilo koje dugme za režime kuvanja ili

dugme [Timer/Preset] ili [ON/OFF] izlazite iz režima tajmera.

Preset

Ova funkcija je primenljiva samo na [kašu], [paru], [supu], [vodu], [mleko] i [toplo] režimi kuvanja.

- Prvo izaberite željeni režim kuvanja, a zatim pritisnite dugme [Timer/Preset]. LED displej će treptati [0:00].
- Pritisnite dugmad [+] ili [-] ili kliznu traku da podesite unapred podešeno vreme od [0:01] minuta do [24:00] sata. Pritisnite i držite dugmad [+] ili [-] za brzo podešavanje vremena.
- Kada je željeno vreme podešeno, nemojte pritiskati nijedno dugme. LED ekran će treptati nekoliko puta i tajmer je sada aktiviran i počće da odbrojava.
- Kada se unapred podešeno vreme istekne, izabrani režim kuvanja će se aktivirati i indukcija šporet će početi da se zagreva.
- Pritiskom na bilo koje dugme za režime kuvanja ili dugme [Timer/Preset] ili [ON/OFF] izlazite iz unapred podešenog režim.

Zaključiti

- Pritisnite i držite dugme [LOCK] 3 sekunde da zaključate jedinicu. Indikator za [Lock] će Zapaliti.
- Sva dugmad su deaktivirana u režimu zaključavanja.
- Da biste izašli iz režima zaključavanja, pritisnite i držite dugme [LOCK] 3 sekunde.

Napon

- Pritisnite taster [Voltage] dvaput, na ekranu će se prikazati lokalni napon.
- Pritisnite taster [Voltage] jednom, na ekranu će se prikazati potrošnja energije.
- Da biste otkazali ovaj režim, pritisnite druge tastere ili dugme [On/Off].

IZBOR POSUĐA

1. Potreban materijal: Koristite samo indukciono kompatibilno posude od čelika, livenog gvožđa, emajliranog gvožđa, nerđajućeg čelika, tiganja/lonci sa ravnim dnom prečnika od 12 do 26 cm
2. Tiganje/lonci/posude treba da imaju ravnu površinu. Ne pokušavajte da koristite bilo koju drugu vrstu pribora ili posuda (naročito posude sa senzorom pritiska)



3. Dok kupujete svoje posude, potražite znak ili natpis „Kompatibilan sa indukcijom“ kako biste bili sigurni da će raditi sa ovom pločom za kuvanje.

ODRŽAVANJE I SVAKODNEVNA NEGA

1. Održavajte jedinicu uvek čistom. Izbegavajte da prljavština uđe u ventilator ili druge unutrašnje delove jedinice.
2. Pre nego što počnete da čistite jedinicu, uverite se da je jedinica isključena i izvucite utikač iz utičnice. Nemojte čistiti jedinicu dok se površina ne ohladi.
3. Uklonite masnoću, prljavštinu, mrlje itd. čišćenjem jedinice čistom mekom krpom i blagim deterdžentom.
4. Ventilator u ventilacionom otvoru jedinice će se zaprljati na njemu. Redovno ga uklanjajte mekom četkom ili vatom.

- Nemojte uranjati jedinicu ili kabl za napajanje direktno u vodu ili bilo koju drugu tečnost da biste ih očistili. To će oštetiti jedinicu. Da biste zaštitili jedinicu od bilo kakvog napona, uverite se da je utikač pravilno uklopljen u utičnicu.
- Nemojte izvlačiti kabl za napajanje direktno tokom rada. Da biste produžili vek trajanja uređaja, prvo pritisnite dugme „Uključeno/isključeno“, a zatim izvucite kabl za napajanje iz utičnice.
- Ventilator će raditi da ohladi grejnu ploču čak i nakon što je jedinica isključena. Bolje je ukloniti utikač nakon što ventilator prestane da radi.
- Kada ne koristite jedinicu duže vreme, izvucite utikač iz utičnice.
- Neki modeli će imati strukturalni dizajn da spreči bubašvabe da uđu u jedinicu. Ako je potrebno, možete koristiti naftalin ili ekvivalentno sredstvo protiv bubašvaba da zaštitite jedinicu.

REŠAVANJE PROBLEMA

Tokom rada, ako postoji bilo kakva greška, pogledajte sledeću tabelu za uobičajene opcije za rešavanje problema pre nego što pozovete servis. Ispod su uobičajene greške i provere koje treba izvršiti.

SCENARIO GREŠKE	KONTROLNE TAČKE	POPRAVITI
Kod grešaka se javlja E0	Bez posuda ili korišćeno nekompatibilno posude	Proverite da li je posude kompatibilno sa indukcijom ili ne
Kod grešaka se javlja E1	Niži nivo Napona	Uverite se da je napon >88V, 220V ~ 240V je savršeno
Kod grešaka se javlja E2	Visok nivo Napona	Uverite se da je napon <280V, 220V ~ 240V je savršeno
Kod grešaka se javlja E3	Senzor gornje ploče se pregreva ili kratak spoj - Strujno kolo	Počnite ponovo nakon što se temperatura ohladi. Ako nije, vratite šporet u servisni centar na proveru i popravku
Kod grešaka se javlja E4	Otvoreni krug senzora gornje ploče ili bez veze	Molimo kontaktirajte servisni centar radi provere i popravke
Kod grešaka se javlja E5	Pregrevanje ili kratak spoj IGBT senzora Kolo ili ventilator bez veze	Molimo kontaktirajte servisni centar radi provere i popravke
Kod grešaka se javlja E6	Otvoreni krug IGBT senzora	Molimo kontaktirajte servisni centar radi provere i popravke

Pravilno odlaganje ovog proizvoda



Ova oznaka označava da se ovaj proizvod ne sme odlagati s ostalim kućnim otpadom u celoj EU. Da biste sprečili moguću štetu po životnu sredinu ili zdravlje ljudi zbog nekontrolisanog odlaganja otpada, odgovorno ga reciklirajte da biste promovisali održivu ponovnu upotrebu materijalnih resursa. Da biste vratili svoj korišćeni uređaj, koristite sisteme za vraćanje i prikupljanje ili se obratite prodavcu kod koga je proizvod kupljen, oni mogu uzeti proizvod za ekološku reciklažu.

TESLA

tesla.info