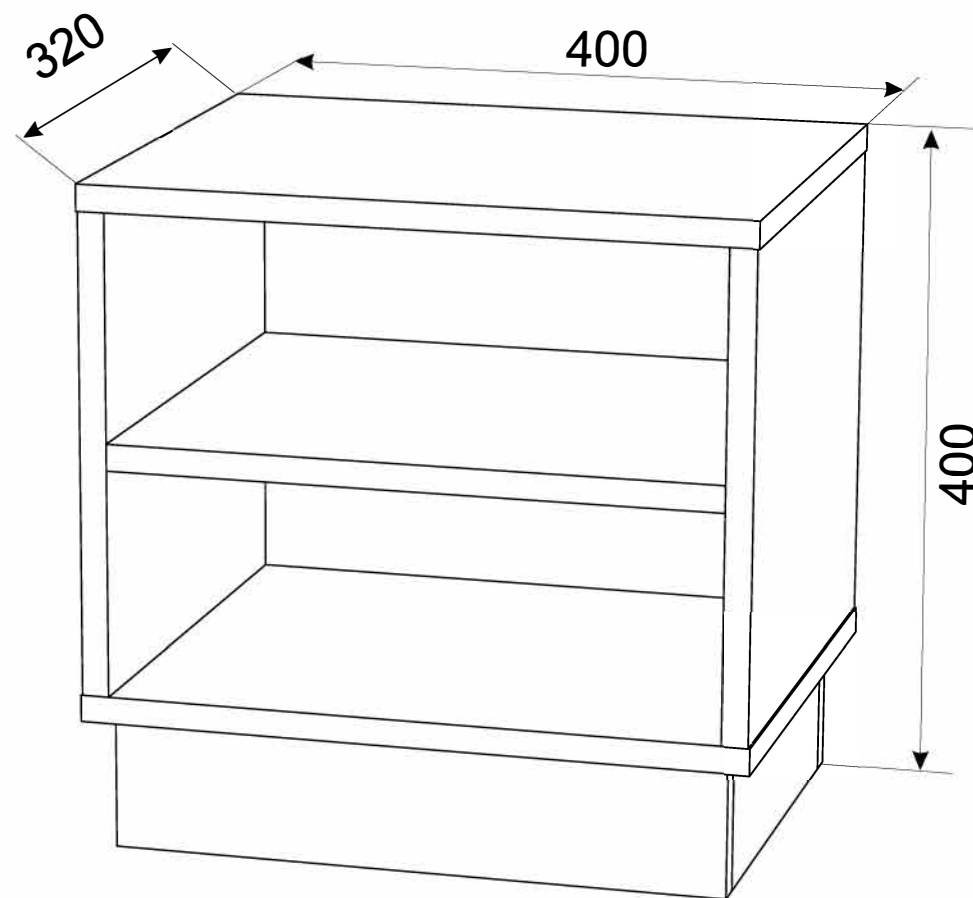
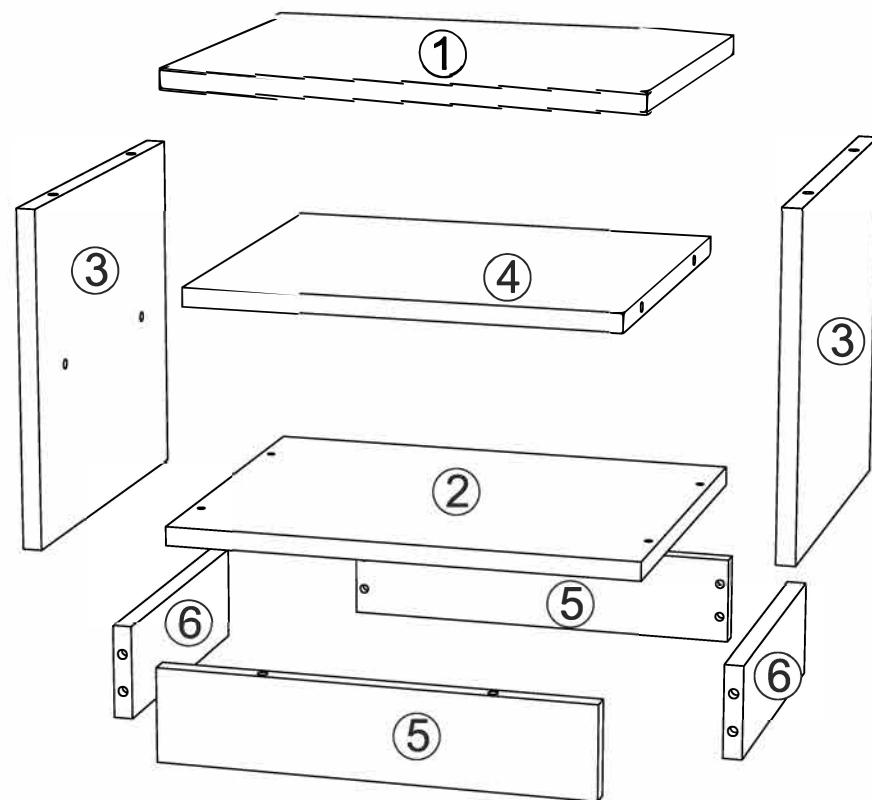


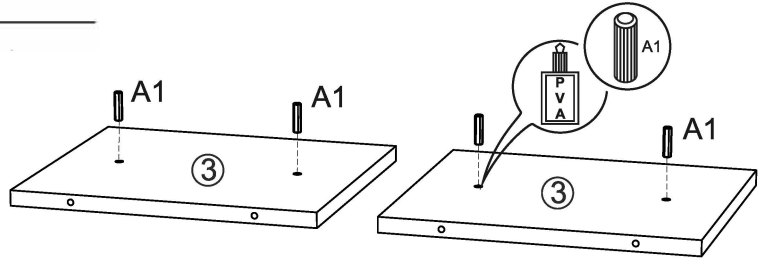
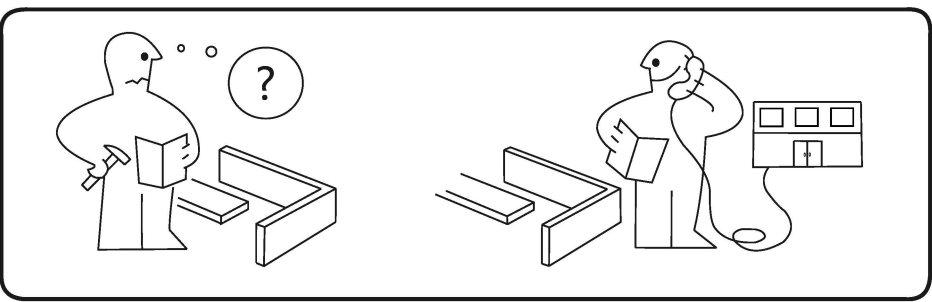
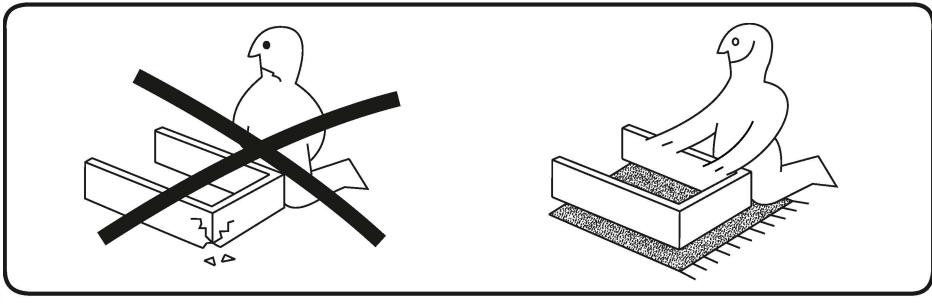
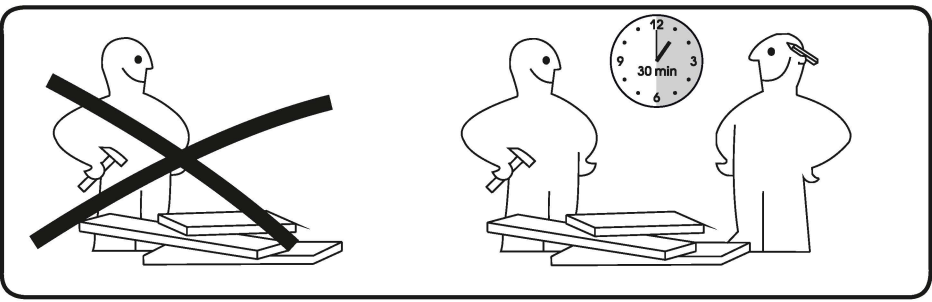
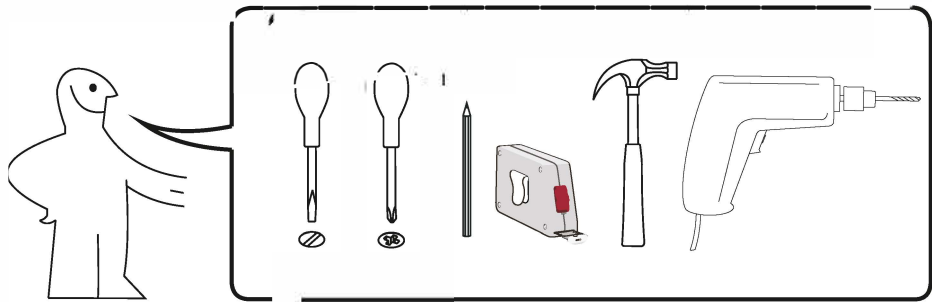
ENG

# Bedside table



20x ∅ 8x30 A1	1x R
4x ∅ 6,4x50mm B1	4x K2

No	axb	x
1	400x320	1
2	400x320	1
3	320x288	2
4	366x320	1
5	368x80	2
6	256x80	2

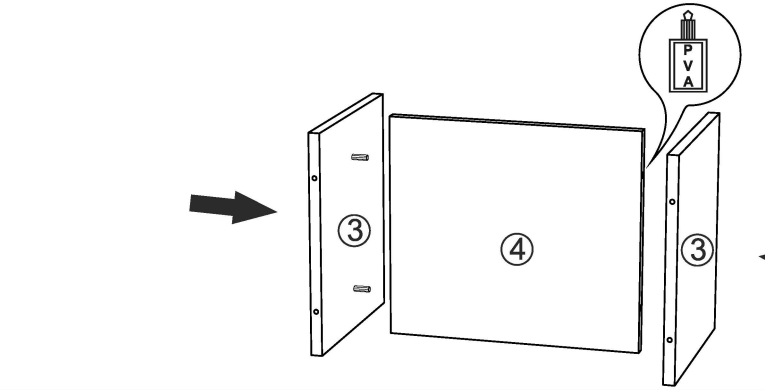


1

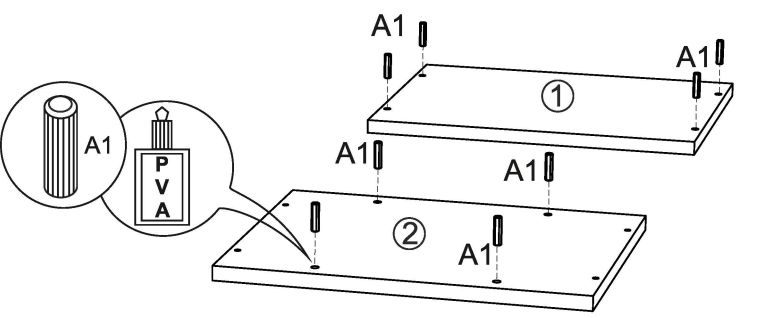
4x

∅ 8x30

A1



2

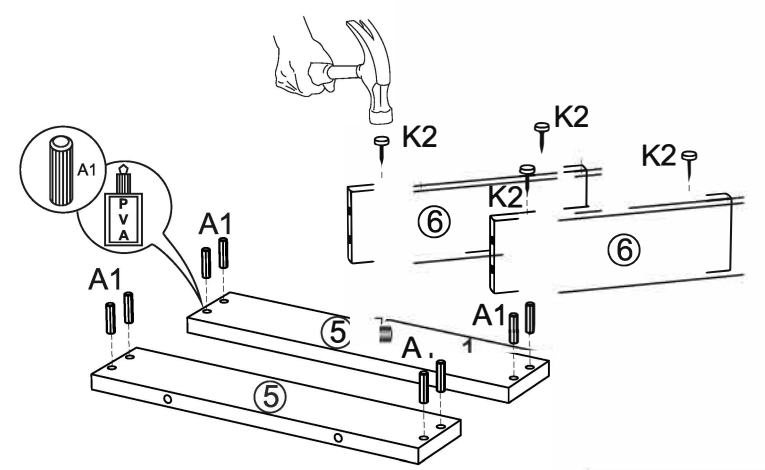


3

8x

∅ 8x30

A1



4

4x

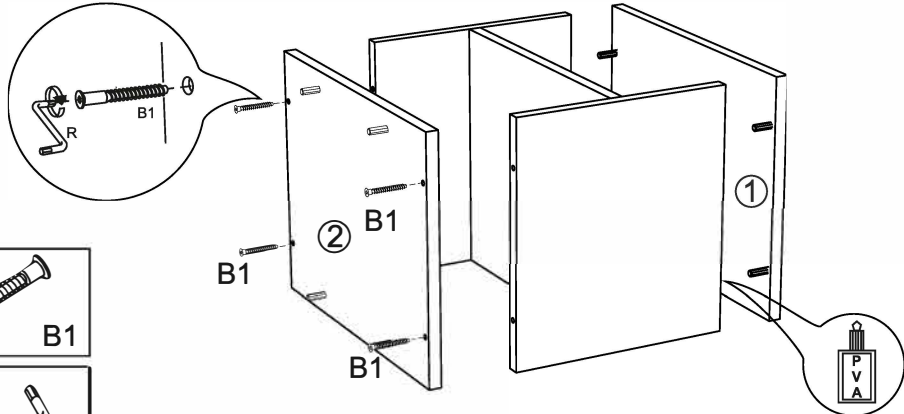
K2

8x

∅ 8x30

A1

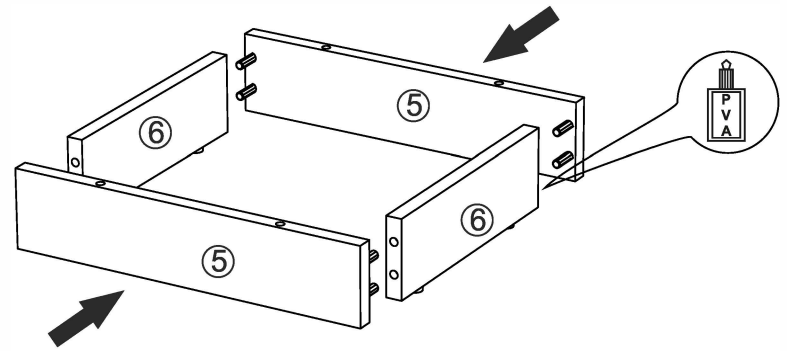
5



4x  
 ø6,4x50mm B1

1x  
 R

6



7

