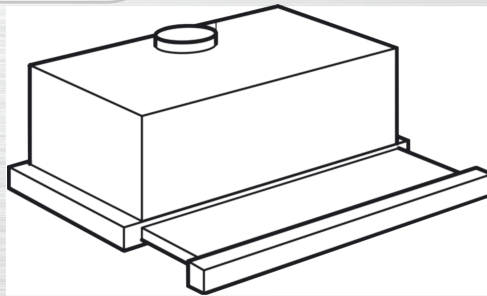




MORRIS

MHT-60035



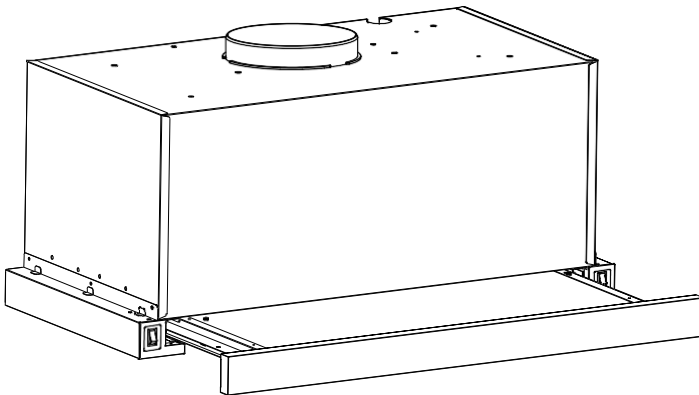
USER MANUAL

TELESCOPIC COOKER HOOD

Please read this manual carefully before use this product

- Thanks very much for choosing our product, please carefully read the following important information regarding installation safety and maintenance. And keep this information booklet accessible for further consultations.

COOKER HOOD INSTRUCTION MANUAL



MODEL: MHT-60035

Dear Customer,

If you follow the recommendations contained in this Instruction Manual, our appliance will give you constant high performance and will remain efficient for many years to come.

Product Specification & Technical Parameters

Model	MHT-60035
Rated Voltage	230V
Rated Power Frequency	50Hz
Light Power	1x4W
Motor Power	1*230W
Total Power	234W
Motor	1
Diameter of Outlet Adapter	150mm, with adapter to 120mm

RECOMMENDATIONS AND SUGGESTIONS

INSTALLATION

* The manufacturer will not be held liable for any damages resulting from incorrect or improper installation.

* Please read this instruction manual before installing and using this range hood. Please keep this instruction manual in a safe place for future reference.

* Only a qualified and trained service technician can undertake the work of installation and servicing.

* Check that the main voltage corresponds to the one indicated on the rating plate fixed inside the hood.

* If the hood is used in conjunction with non-electrical appliances (e. g. gas burning appliances), a sufficient degree of ventilation must be guaranteed in the room in order to prevent the backflow of exhaust gas. The kitchen must have an opening directly with the open air in order to guarantee the

entry of clean air.

* The minimum distance is 750mm from the range hood to a gas hob, and is 650mm to an electric hob. If the installation instructions for gas hobs specify a greater distance, this must be taken into account.

NOTICE: Two or more people are required to install or move this appliance. Failure to do so can cause physical injuries.

USE

* The range hood has been designed only for domestic use to eliminate kitchen fumes.

* Never use the hood for purposes other than what it has not been designed for.

* Never leave high naked flames under the hood when it is in operation.

* Adjust the flame intensity to direct it onto the bottom of the pan only; making sure that it does not engulf the pan sides.

* Deep fat fryer must be continuously monitored during use: overheated oil can burst into flame.

* The hood should not be used by children or persons not instructed in its correct use.

MAINTENANCE

* Proper maintenance of the range hood will assure proper performance of the unit.

* Disconnect the hood from the main supply before carrying out any maintenance work.

* Clean and/or replace aluminum grease filters and activated charcoal filters after specified period of time.

* Clean the hood using a damp cloth and a neutral liquid detergent.

* **DISPOSAL:** Do not dispose this product as unsorted municipal waste. Collection of such waste separately for special treatment is necessary.

WARNING!!

In certain circumstances electrical appliances may be a danger hazard.

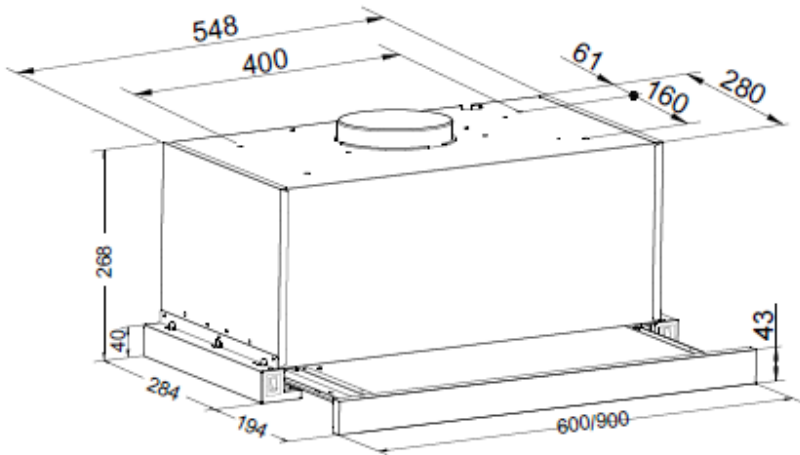
* Do not check the status of the filters while the cooker hood is operating

* Do not touch the light bulbs after appliance use

* Do not disconnect the appliance with wet hands.

- * To reduce the risk of fire or electric shock, do not use this fan with any solid-state.
- * Avoid free flame, as it would do damage to the filters from a fire hazard
- * Constantly check food frying to avoid that the overheated oil may become a fire hazard
- * Disconnect the electrical plug prior to any maintenance or servicing.
- * Children don't recognize the risks of electrical appliances. Therefore use or keep the appliance only under supervision of adults and out of the reach from children.
- * TO REDUCE THE RISK OF FIRE, ELECTRIC SHOCK, OR INJURY TO PERSONS, OBSERVE THE FOLLOWING:
 - a) Installation work and electrical wiring must be done by qualified person(s) in accordance with all applicable codes and standards, including fire-rated construction.
 - b) Sufficient air is needed for proper combustion and exhausting of gases through the flue (chimney) of fuel burning equipment to prevent back drafting.
 - c) When cutting or drilling into wall or ceiling, do not damage electrical wiring and other hidden utilities.
 - d) Ducted fans must always be vented to the outdoors.
- * Don't use this product outdoors.
- * This appliance is not intended for use by persons (including children) with reduced physical, sensory or mental capabilities, or lack of experience and knowledge, unless they have been given supervision or instruction, concerning use of the appliance by a person responsible for their safety. Children should be supervised to ensure that they do not play with the appliance.
- * There shall be adequate ventilation of the room when the range hood is used at the same time as appliances burning gas or other fuels.
- * There is a fire risk if cleaning is not carried out in accordance with instructions.
- * The exhaust air must not be discharged into a flue which is used for exhausting fumes from appliances burning gas or other fuels.

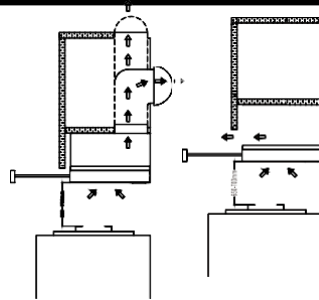
DIMENSIONS



INSTALLATION & USE

Ducting or circulation

The hood draws the cooking fumes saturated with fumes and odor, through the grease filters and expels it to the outside through an outlet pipe, or circulates it back into the kitchen through carbon filter.



Cautions: To reduce the risk of fire, the use of metal ductwork is preferred. Do not use flammable material to convey exhaust air.

1. Decide where the ductwork will run between the hood and the outside.
2. A straight, short duct run will allow the hood to perform most efficiently.
3. Long duct runs, elbows, and transitions will reduce the performance of

the hood. Use as few of them as possible. Larger ducting may be required for best performance with larger duct runs.

4. The air must not be discharged into a flue that is used for exhausting fumes from appliance burning gas or other fuels. Regulations concerning the discharge of air have to be followed. Check with the local authority and building codes for exhaust ducting requirements.

5. Install a roof/wall cap. Connect round metal ductwork to cap and work back towards hood location

Electrical Connection

*Electrical wiring must be done by a qualified person(s) in accordance with all applicable codes and standards. **Turn off electrical power at service entrance before wiring.**

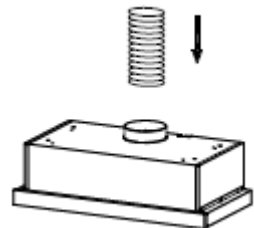
*If the supply cord is damaged, it must be replaced by the manufacturer, its service agent or similarly qualified persons in order to avoid a hazard.

*Do not use the plug and an extension cord other than the ones initially supplied with the hood.

INSTALLATION

Before beginning installation, to better handle the hood, we advise removing the aluminum filter.

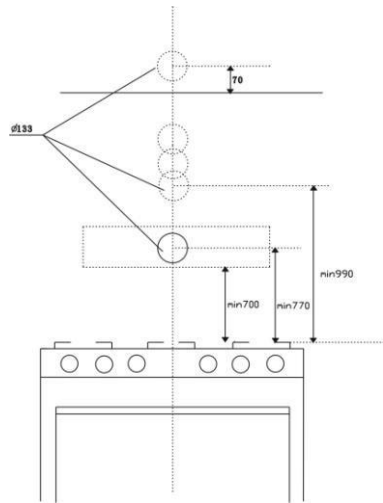
Before fixing, the outlet exhaust duct for air evacuation to the outside must be installed. Use an outlet exhaust duct with: - minimum indispensable length; - Minimum possible bends (maximum angle of bend: 90°); - certified material (according to local, building & fire regulations); and as smooth as possible inside. It is also advisable to avoid any drastic changes in duct cross-section (recommended diameter: 125mm).



Drill the hole in the wall for the air outlet (133 mm diameter) referring to drawings here on

the right where the measurements for the various possibilities are indicated.

Decide on the position of the hole for the air outlet: The hole must be in the ceiling, according to your requirements, but must be in vertical line with your hood. Bear in mind that the hood can expel air through the top air outlet only.



Fitting under wall unit

1. Before fixing the hood to the wall unit, drill a hole of 130mm diameter in the wall unit.

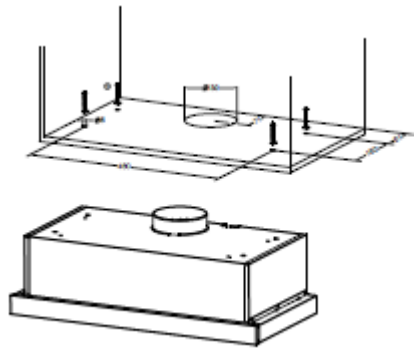
2. In any case, check the position of the power outlet considers where the power cable will run, since a hole might have to be made in the wall unit to accommodate it.

3. Drill 4 holes in the wall unit, respecting the distance indicated.

Push the hood up against the wall unit and insert the 4 screws operating from inside the wall unit

4. Make the electrical connection.

Installation is now complete.



Notice:

-Exhaust air must not be discharged into a flue which is used for exhausting fumes from appliance burning gas or other fuels.

-If the instructions for installation for the gas hob specify a greater distance than 650mm, this has to be taken into account.

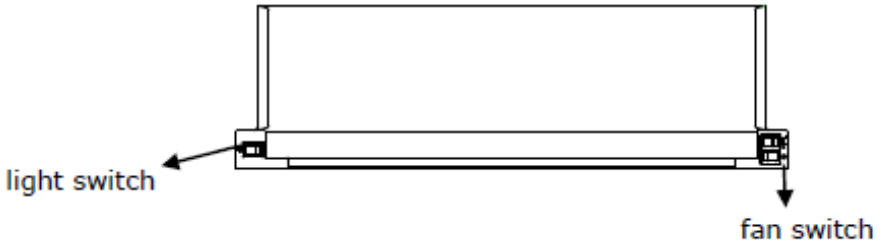
-The regulations concerning the discharge of exhaust air have to be followed.

OPERATION

The hood is operated using the rocker switch on the front panel.

The light switch turns the lamps on and off.

The fan switch turns the fan on to three speed settings:



MAINTENANCE

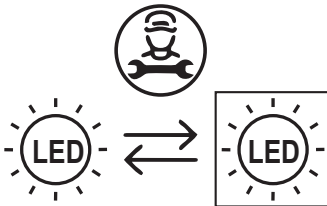
GREASE FILTER

The grease filters should be cleaned frequently (every two months of operation, or more frequently for heavy use). Use a warm detergent solution.

Grease filters are washable.

LAMPS

This range hood requires one LED lamp(AC 230V, 4W Max).



LED lamp should not be replaced during operation. LED lamp should be replaced only with same type LED lamp.

- Replacement or maintenance on LED lamp should be carried out only by manufacturer, customers support department or other qualified technician.

Product fiche

Brand: **MORRIS**

Model name: **MHT-60035**

Energy efficiency classes of domestic range hoods (A-G)	B
Annual Energy Consumption - AEC hood (kWh/a)	72
Fluid Dynamic Efficiency classes for domestic range hoods (A-G)	c
Lighting Efficiency classes (A-G)	A
The Grease Filtering Efficiency classes (A-G)	C
Sound power level L WA - (dB)	68
Time increase factor - f	1,2
Fluid Dynamic Efficiency - FDE hood	21,1
Energy Efficiency Index - EEI hood	69
Measured air flow rate at best efficiency point - Q BEP (m ³ /h)	377,2
Measured air pressure at best efficiency point P BEP (Pa)	317,5
Maximum air flow - Q max (m ³ /h)	630
Measured electric power input at best efficiency point - W BEP (W)	157,8
Nominal power of the lighting system - W L (W)	4
Average illumination of the lighting system on the cooking surface - E middle (lux)	134
Measured power consumption in standby mode - P s (W)	-
Measured power consumption off mode P o (W)	0
Limitation of exhaust air - t limit (above 650m ³ /h) (min)	-
Lighting Efficiency LE hood - (lux/Watt)	33,5
Grease Filtering Efficiency GFE hood - (%)	78%
The air flow (in m ³ /h, and rounded to the nearest integer), at minimum and maximum speed in normal use, intensive or boost excluded	394min /630max
If available, the air flow (in m ³ /h and rounded to the nearest integer), at intensive or boost setting	-
The airborne acoustical A-weighted sound power emissions (in dB rounded to the nearest integer), at minimum and maximum speed available in normal use	56min/68 max
If available, the airborne acoustical A-weighted sound power emissions (in dB rounded to the nearest integer), at intensive or boost setting	-

Product fiche according to "COMMISSION DELEGATED REGULATION (EU) No 66/2014

NOTICE ABOUT RECYCLING



Your product is designed and manufactured with high quality materials and components which can be recycled and reused.

This symbol means that electrical and electronic equipment, at their end-of-life,

should be disposed of separately from your household waste.

Please dispose of this equipment at your local community waste collection/ recycling centre.

In the European Union there are separate collection systems for used electrical and electronic products.

Please help us to conserve the environment we live in!

DECLARATION OF CONFORMITY

Herewith, Kalliopi Karyda & CO., LP states that this product complies with the requirements of below directives:

EMC-Directive: 14 / 30 / EU

Low Voltage Directive: 14 / 35 / EU

ErP Directive: 09 / 125 / EC

CE Marking: 93 / 68 / EEC

RoHS Directive 11 / 65 / EU & 15 / 863 / EU

The detailed declaration of conformity can be found at

www.morris.gr



Exclusive importer in Greece:

Kalliopi Karyda & CO LP

87A, 17th Noemvriou str, P.C. 55534

Thessaloniki – Greece

T: +302316006600 | F: +302316006650

www.morris.gr



IMPORTER:

Kalliopi Karyda & Co, LP
87A, 17th November str.
55535, Pylea, Thessaloniki
Tel. 2316 006600
Fax. 2316 006650
www.morris.gr