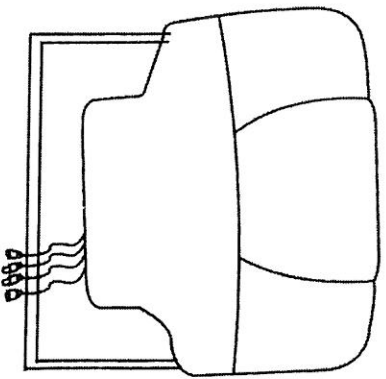
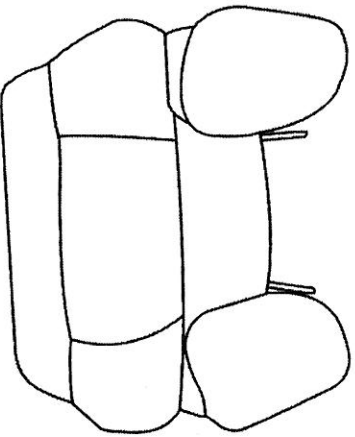


ASSEMBLY INSTRUCTION

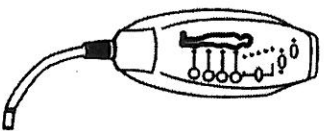
K1



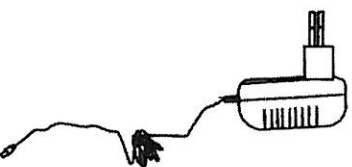
Bx1



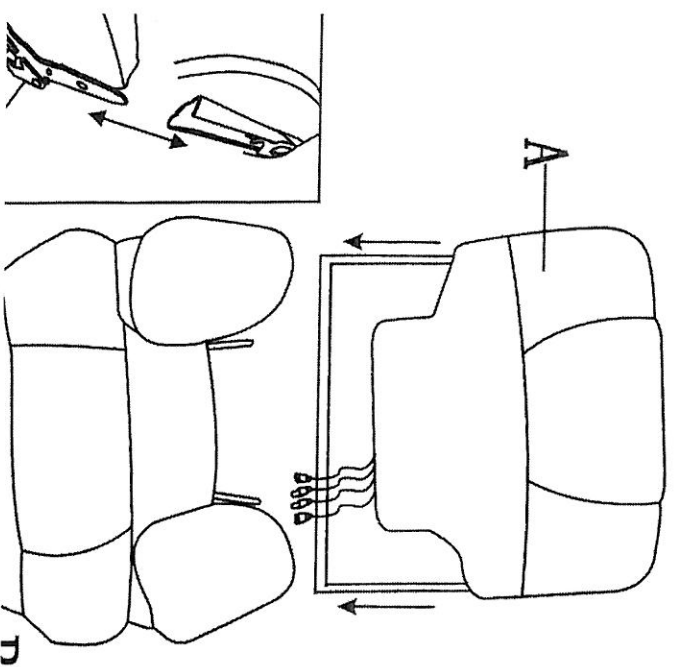
Cx1



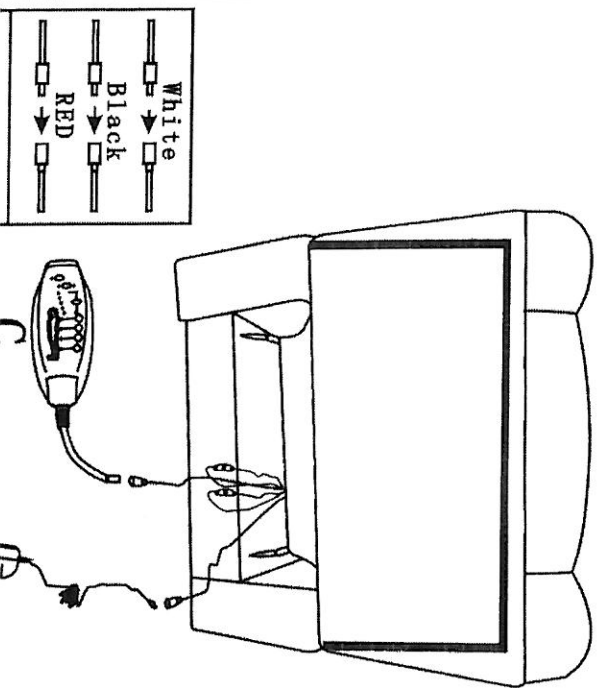
Dx1



STEP: 1



STEP: 2



STEP: 3

